

Charging Nightstand

Instruction Manual



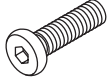
PARTS LIST

Ⓐ x2



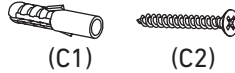
M4x11

Ⓑ x12



M6x23

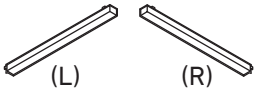
Ⓒ x2



Ⓓ x4



Ⓔ x2



Ⓕ x4



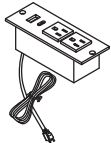
M6x40

Ⓖ x2



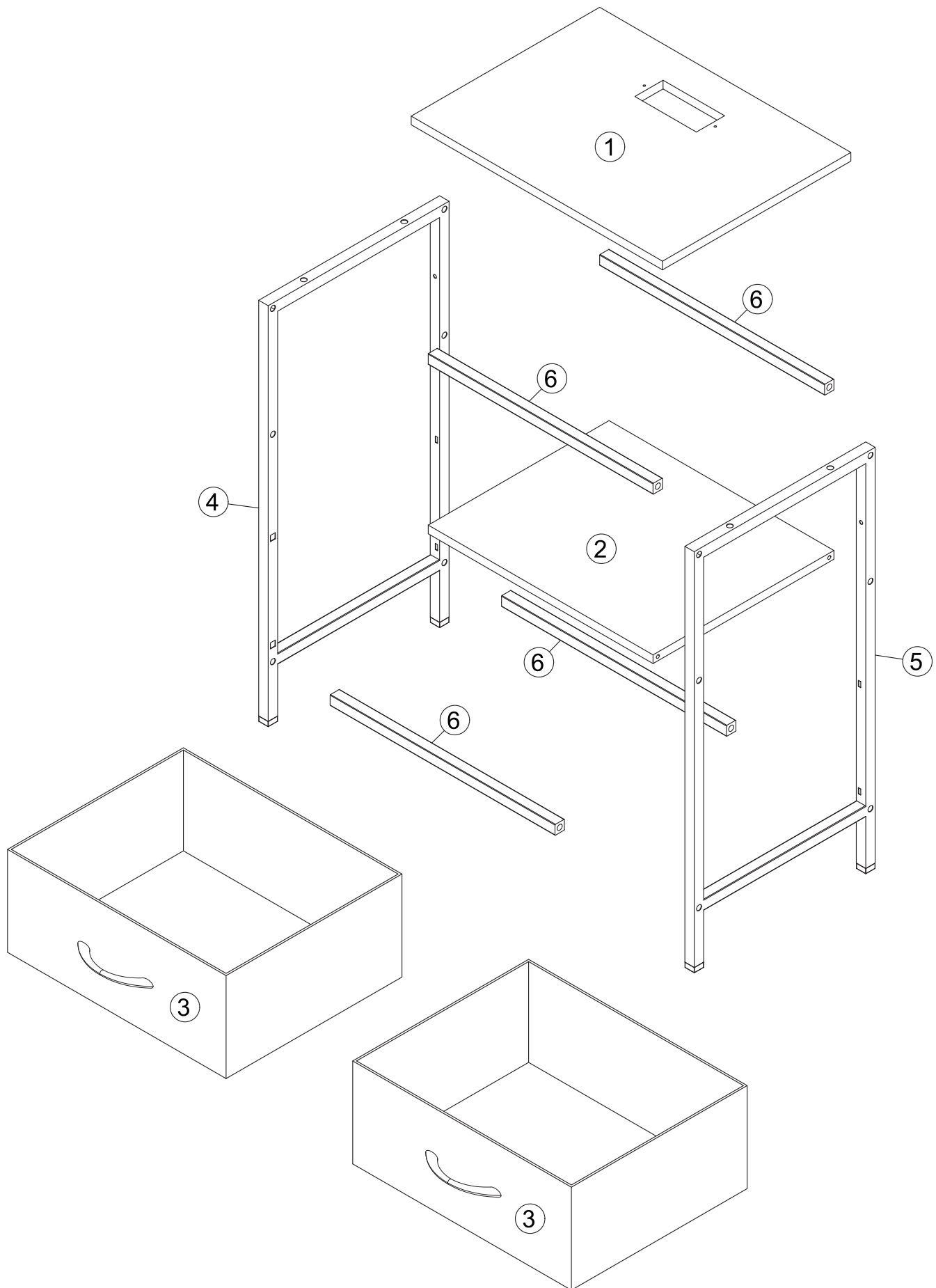
M4x12

Ⓖ x1



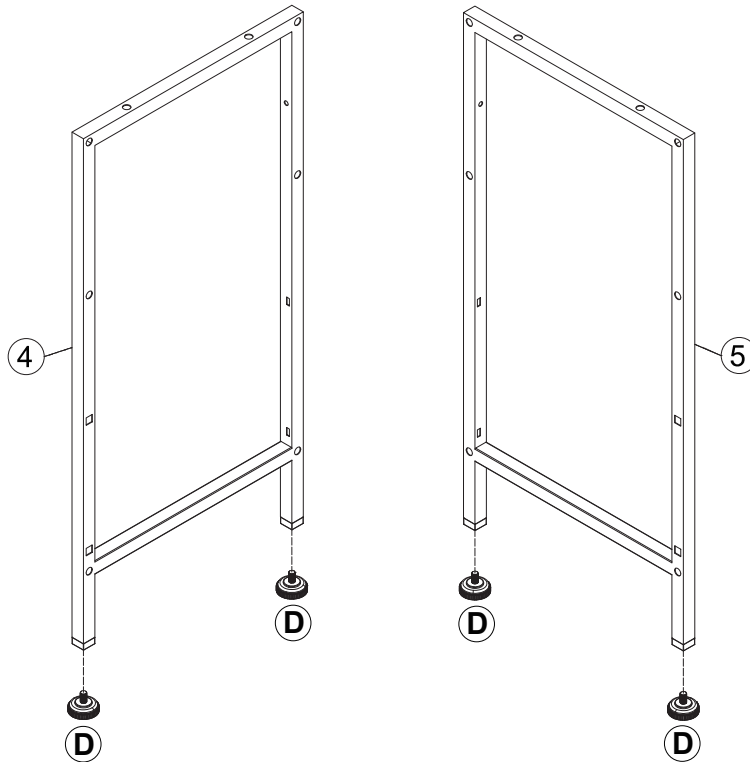
Ⓖ x1



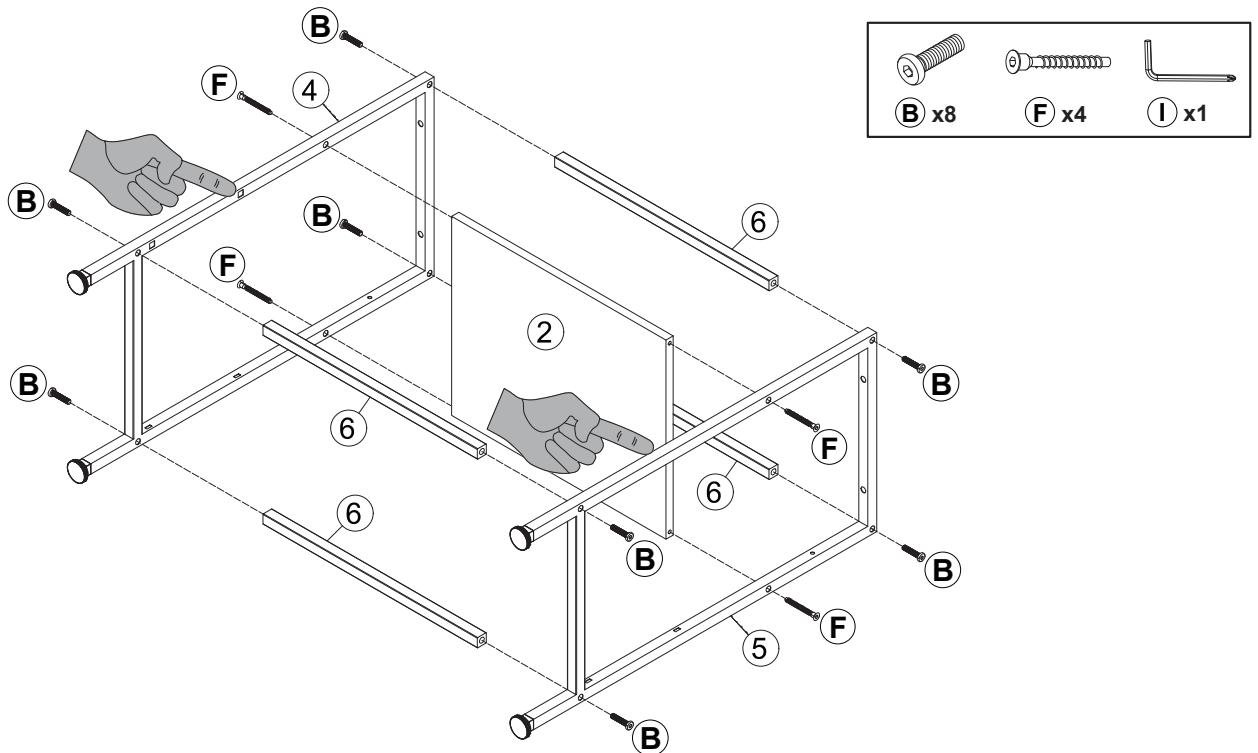


ASSEMBLY INSTRUCTION

Step 1

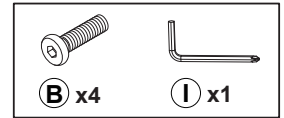
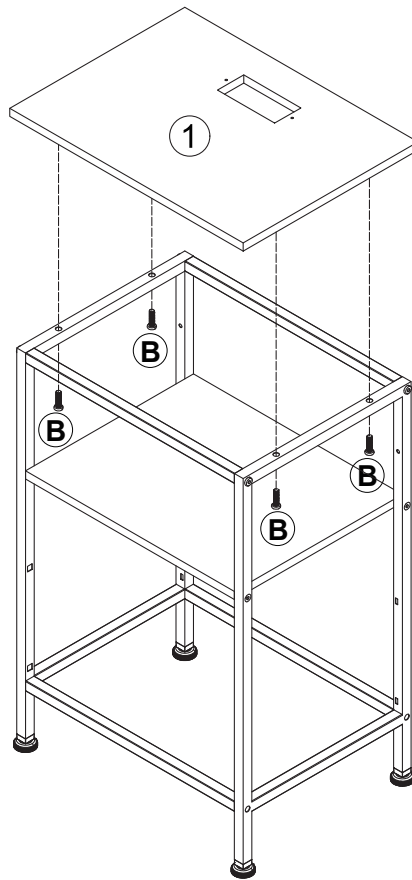


Step 2

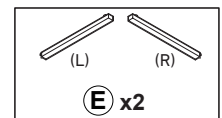
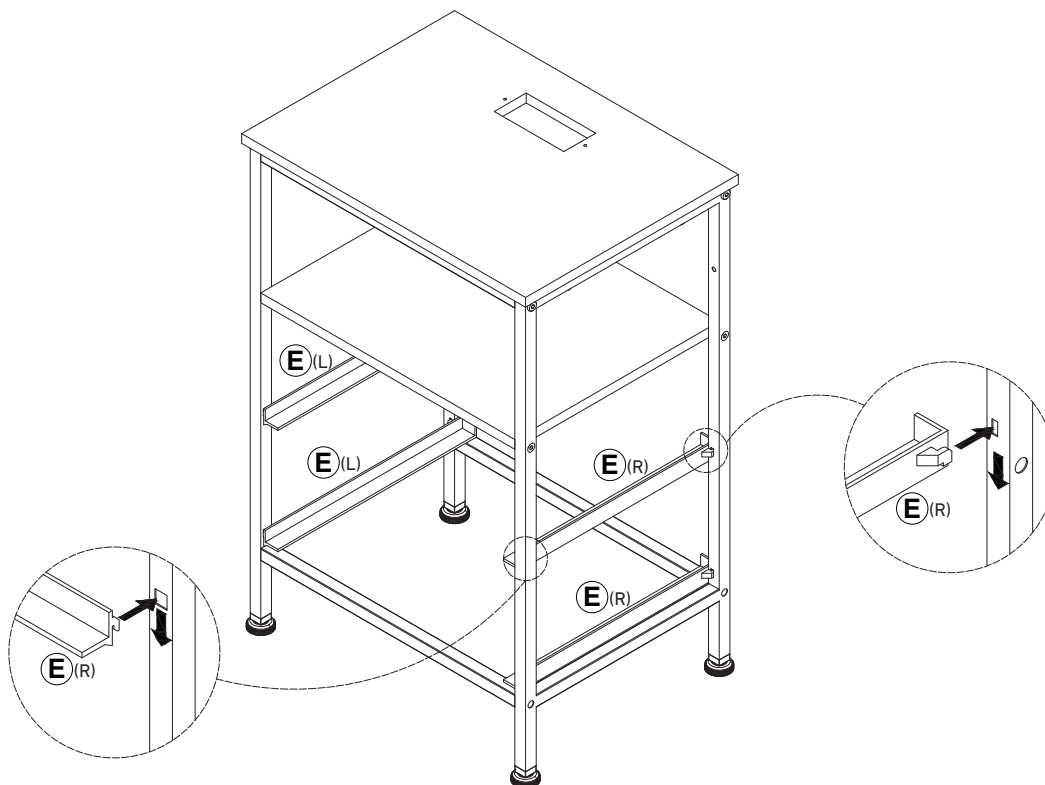


NOTE: These two holes are opposite each other.

Step 3

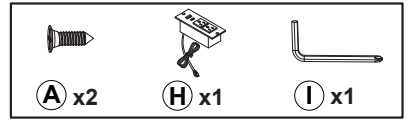
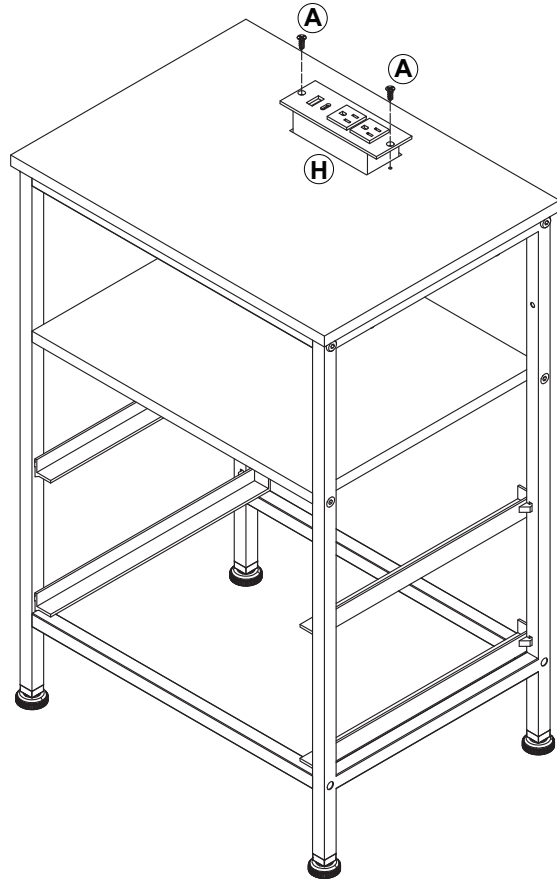


Step 4

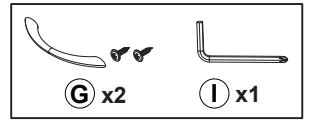
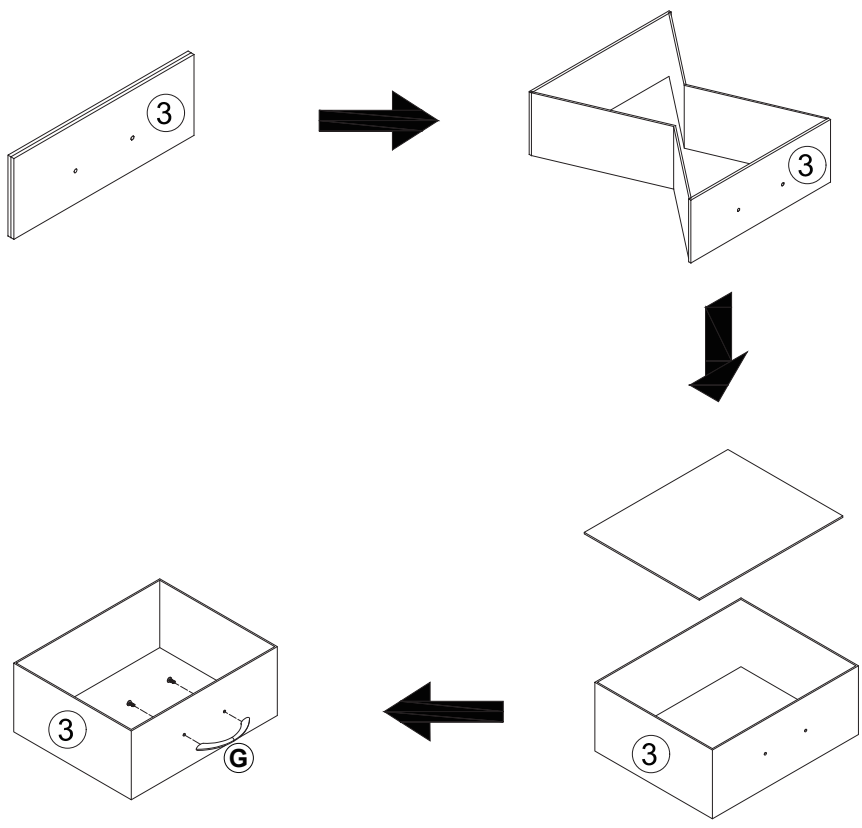


NOTE: Repeat the same process on the left side.

Step 5

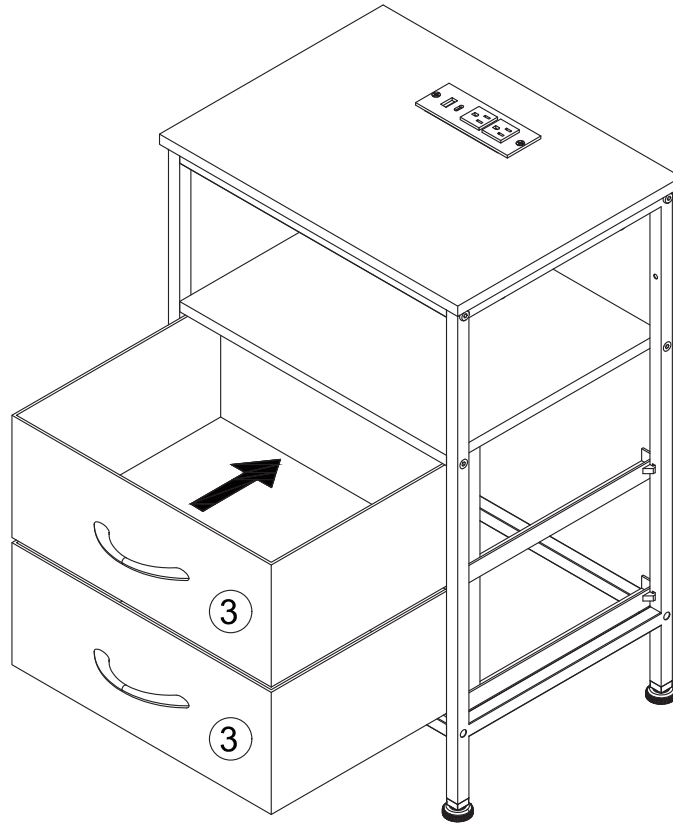


Step 6

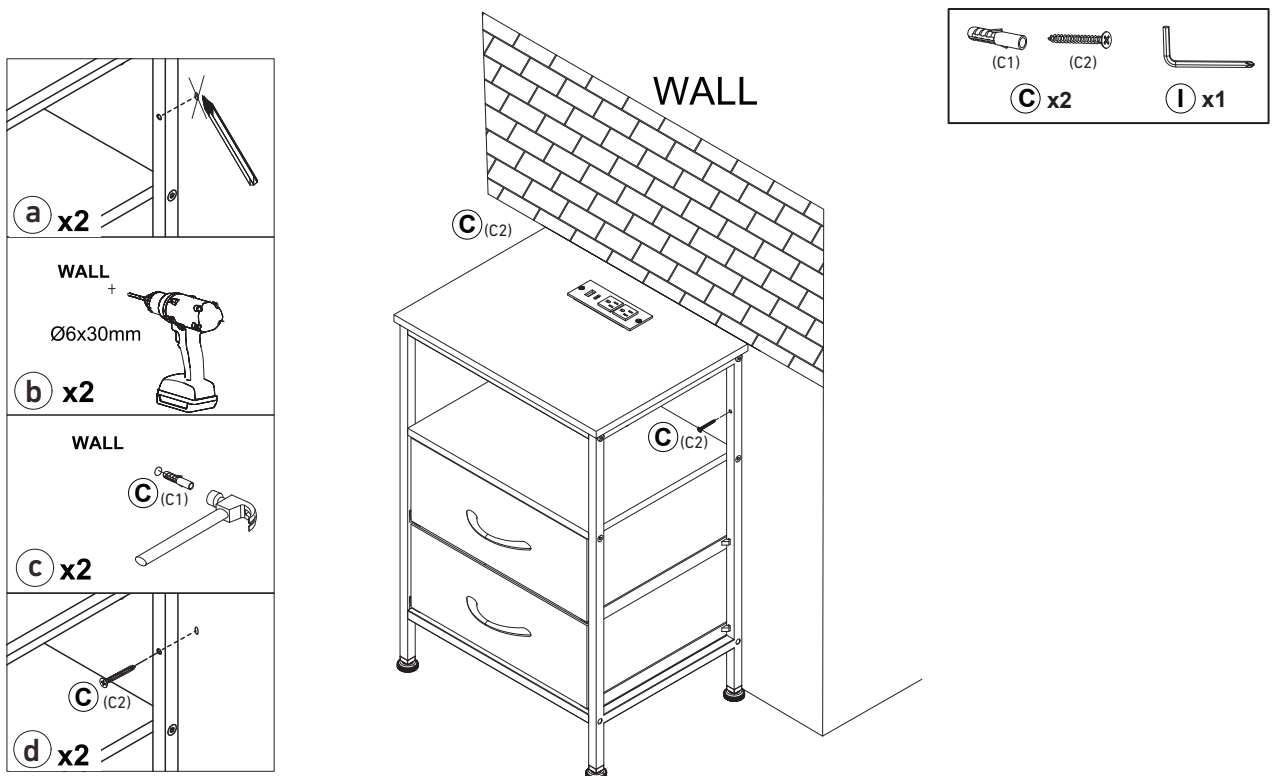


x2

Step 7



Step 8



NOTE: Pencil, electric drill and hammer are not provided.



Thank you for choosing this product. We strive to provide you with the best quality products and service in the industry. Should you have any issues, please don't hesitate to contact us.