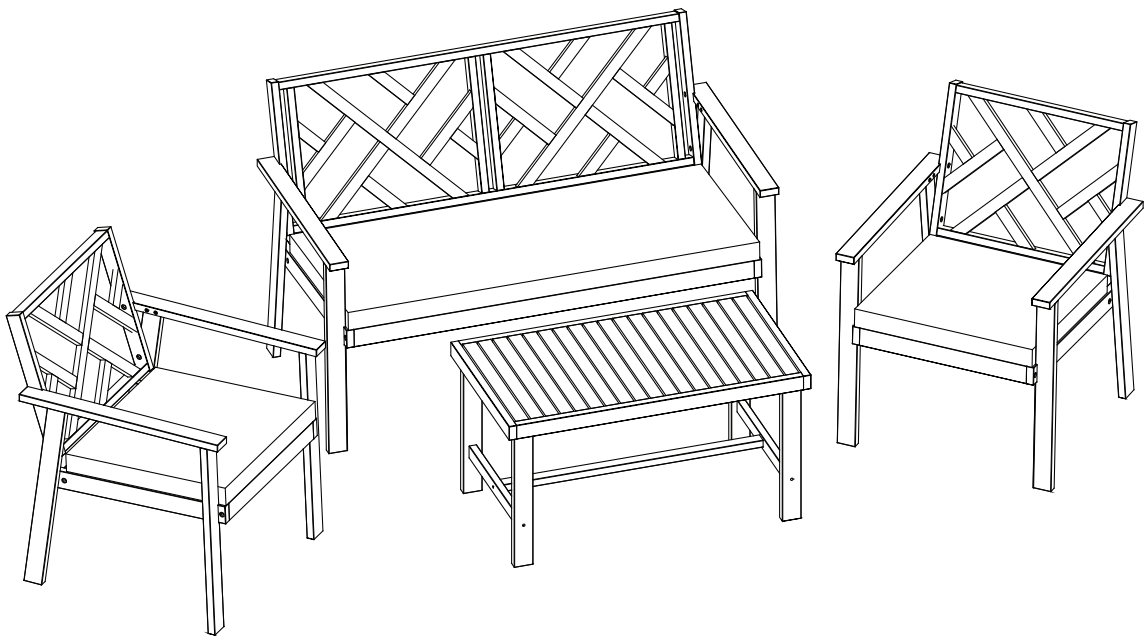


OWNER'S MANUAL

4pc Acacia Wood Patio Sofa Set



Read these instructions carefully and retain them for future use.

General Information and Tips

GENERAL SAFEGUARDS

1. Please read the owner's manual carefully before assembling.
2. Do not stand on or use any part of this item as a step ladder.
3. Please do not exceed the weight limitations of this item.
4. Firmly secure all the bolts, screws and knobs before use.
5. Reconfirm that all the bolts, screws, and knobs are secure every 90 days.
6. Keep away any plastic packaging from small children to avoid suffocation.

CLEANING AND MAINTENANCE

This acacia wooden outdoor furniture is pre-treated with water-based wood stain to make the surface durable enough for outdoor use. The best way to extend the life of your wooden outdoor furniture is by cleaning it regularly, not leaving it outdoors unprotected more than necessary and re-staining it on a regular basis.

CLEANING

Wipe clean with a soft cloth dampened in water and a mild soapy solution. Wipe dry with a clean and dry cloth.

MAINTENANCE

You can easily refresh your acacia wooden outdoor furniture and make it more durable by re-staining it on a regular basis, for example once a year. You may need to re-stain the furniture more frequently, depending on the climate you live in and the furniture's exposure to sun and rain. Re-staining prevents the surface from drying out and cracking and moisture from penetrating into the wood. For furniture that stands in the open air, a good indication that you need to re-stain is if raindrops are absorbed directly into the wood and no longer form small beads on the surface.

STORING:

Before storing away your furniture for the season, clean it well and let it dry thoroughly. If possible, store your outdoor furniture in a cool and dry place indoors. If stored outside, put the furniture under a roof if possible and cover it with a protective cover. If the furniture is left exposed to rain or snow, make sure to protect it with a waterproof cover and if possible tilt the furniture to make it easier for any water to drain away. After a rain or snowfall, wipe off excess water or snow – especially from flat surfaces. Allow air to ventilate, to avoid moisture and mould.

General Information and Tips

How to re-stain:

Choose a place in the shade for cleaning, re-staining and leaving the furniture to dry. Avoid direct sunlight.

1. Wipe clean with a soft cloth dampened in water and a mild soapy solution, if necessary. Wipe dry with a clean and dry cloth. Use a soft brush to remove tougher stains. If necessary, sand the surface with fine grade sandpaper. Be sure to sand it in the direction of the grain. Do not use steel wool or a brush with metal bristles pieces of metal may become embedded in the wood and rust. If wood fibres rise after cleaning, sand the surface with fine grade sandpaper.
2. Shake the container well and apply a thin, even coat of stain to the furniture using a brush or sponge. Apply on the entire surface at once and in the direction of the grain.
3. Water-based stain dries quickly so be sure to wipe off any excess with a dry cloth directly after application.

Wash brushes and your hands with soap and water.

BEFORE ASSEMBLING

Tools Required:

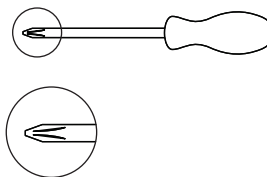
Allen wrench. For tightening all bolts.

It's included in hardware list.



Philip Screwdriver (size: Medium)

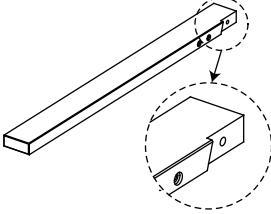
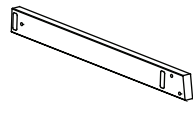
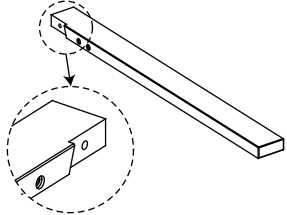
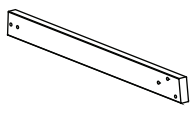
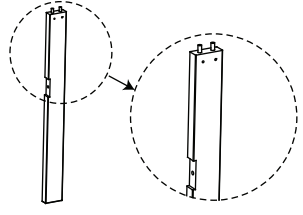
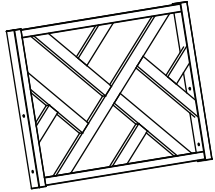
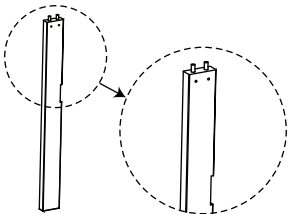
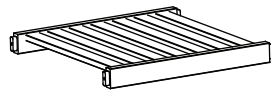
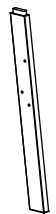
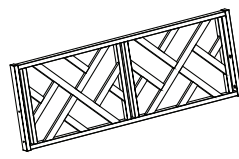

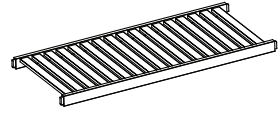
It's not included in hardware list.



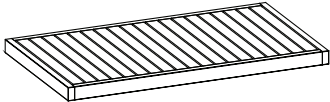



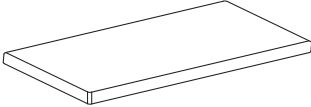
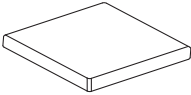
Notice:

1. Follow the installation instructions. Please confirm all accessories are present before installation.
2. Do not fully tighten the screws during initial assembly. Fully tighten screws only once all pieces which are correctly assembled.
3. If you encounter any problems during installation, contact our customer service.





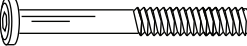
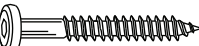
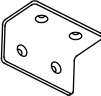


Parts List

| No. | Image | QTY | No. | Image | QTY |
|-----|---|-----|-----|--|-----|
| 1 |  | 3 | 7 |  | 3 |
| 2 |  | 3 | 8 |  | 3 |
| 3 |  | 3 | 9 |  | 2 |
| 4 |  | 3 | 10 |  | 2 |
| 5 |  | 3 | 11 |  | 1 |
| 6 |  | 3 | 12 |  | 1 |

Parts List

| No. | Image | QTY |
|-----|---|-----|
| 13 |  | 1 |
| 14 |  | 4 |
| 15 |  | 2 |
| 16 |  | 1 |
| 17 |  | 1 |
| 18 |  | 2 |

Hardware List

| No. | Image & sizes | QTY |
|-----|---|-----|
| A |  M4x15 | 36 |
| B |  M4x30 | 12 |
| C |  M6x35 | 26 |
| D |  M6x40 | 6 |
| E |  M6x70 | 6 |
| F |  M6x55 | 18 |
| G |  Large Hinge | 6 |
| H |  Small Hinge | 6 |
| I |  M4x80 | 3 |

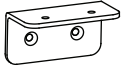
Assemble Chair

1 X3

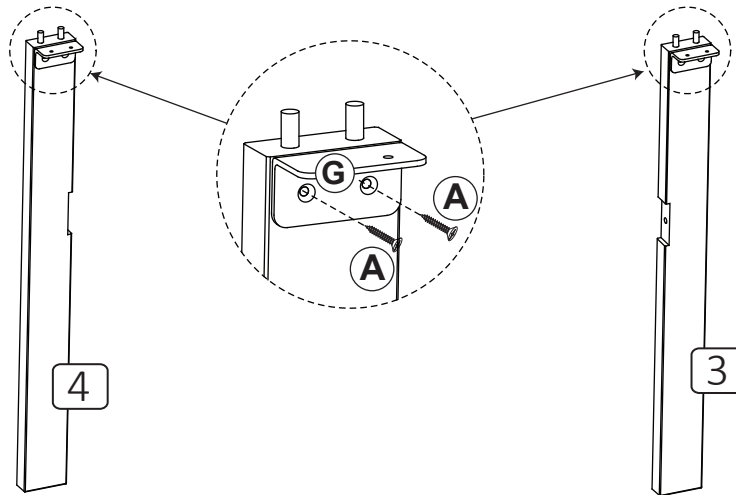
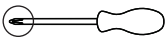
A* 12



G* 4



Tool required
(Not included)
Size: Medium

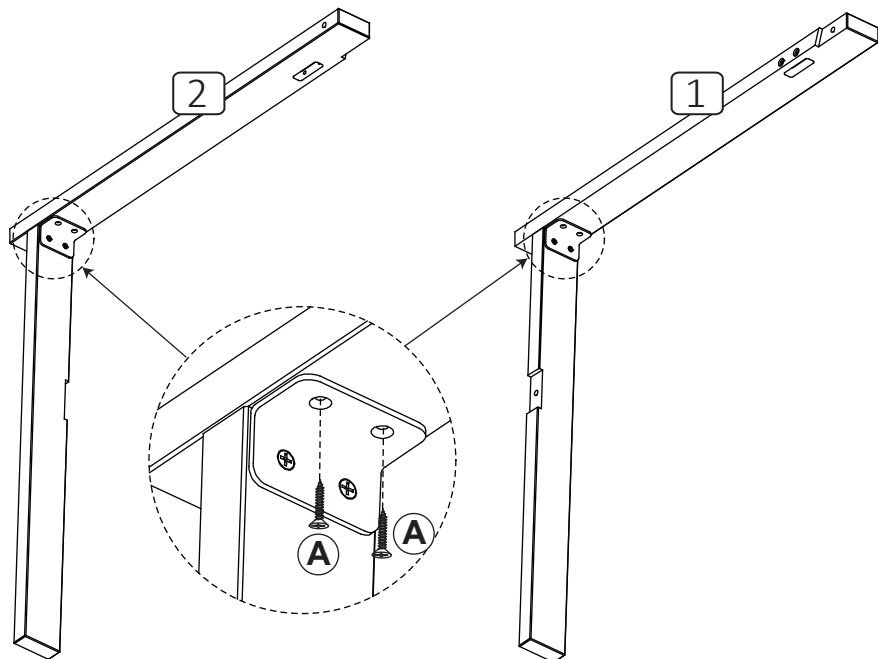
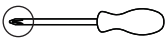


2 X3

A* 12

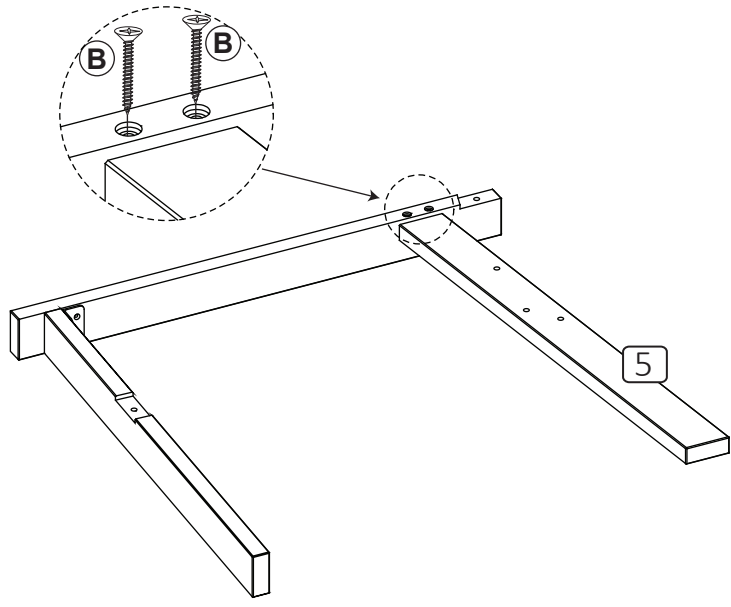
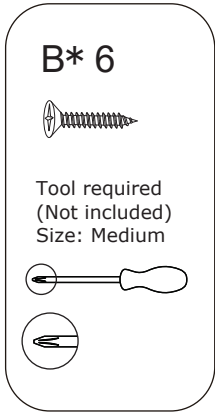


Tool required
(Not included)
Size: Medium

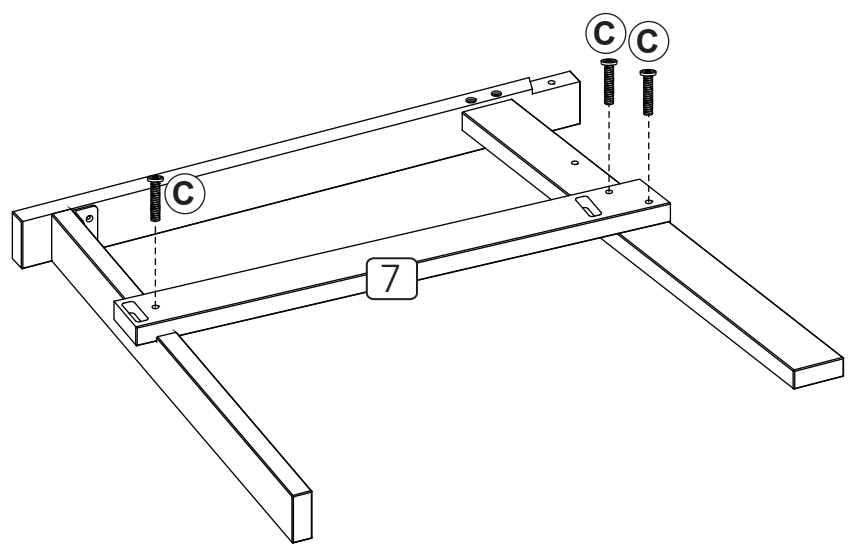
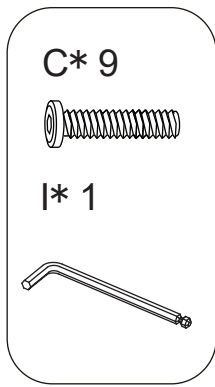


Assemble Chair

3 X3

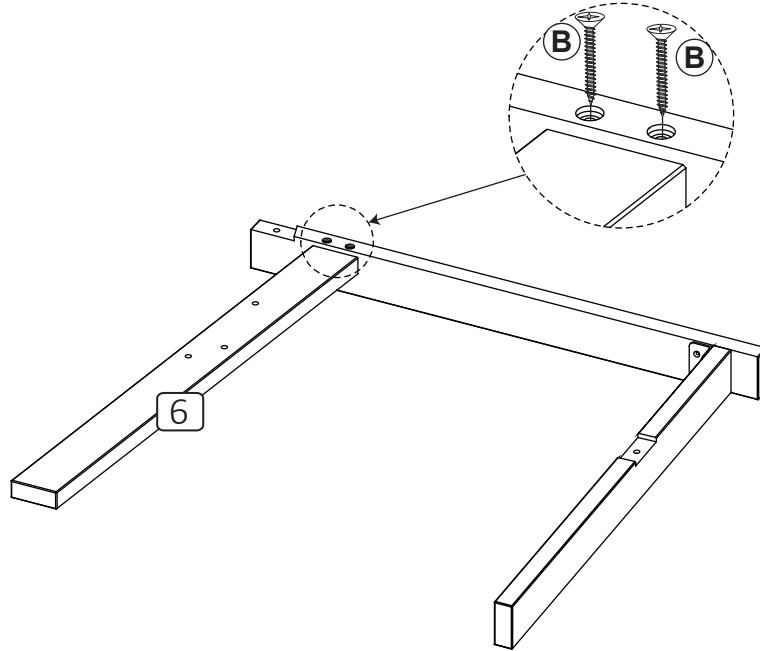
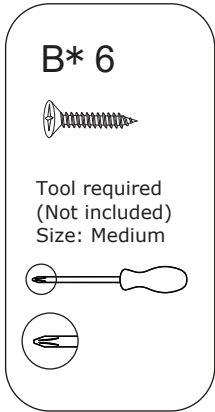


4 X3

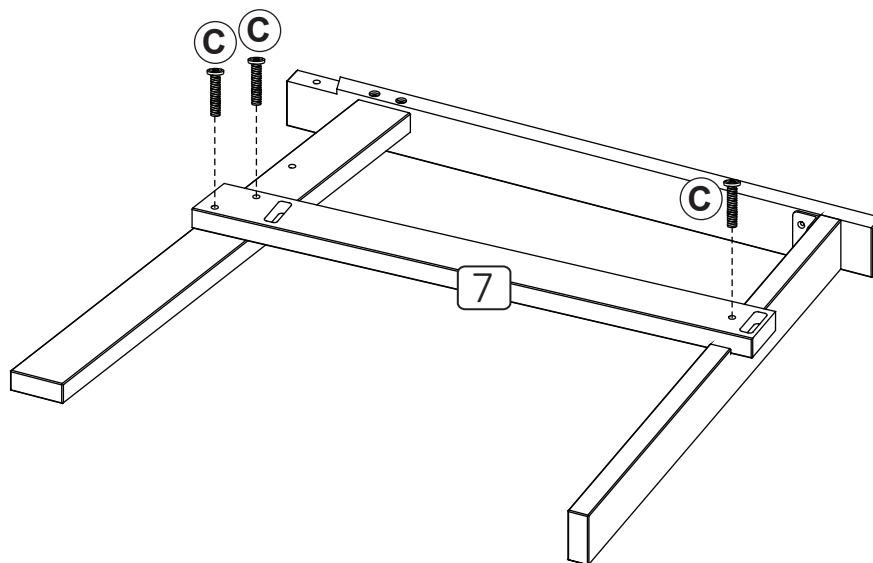
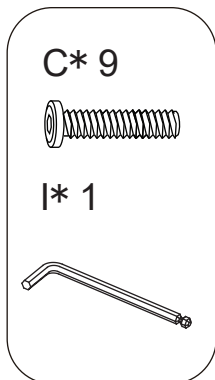


Assemble Chair

5 X3

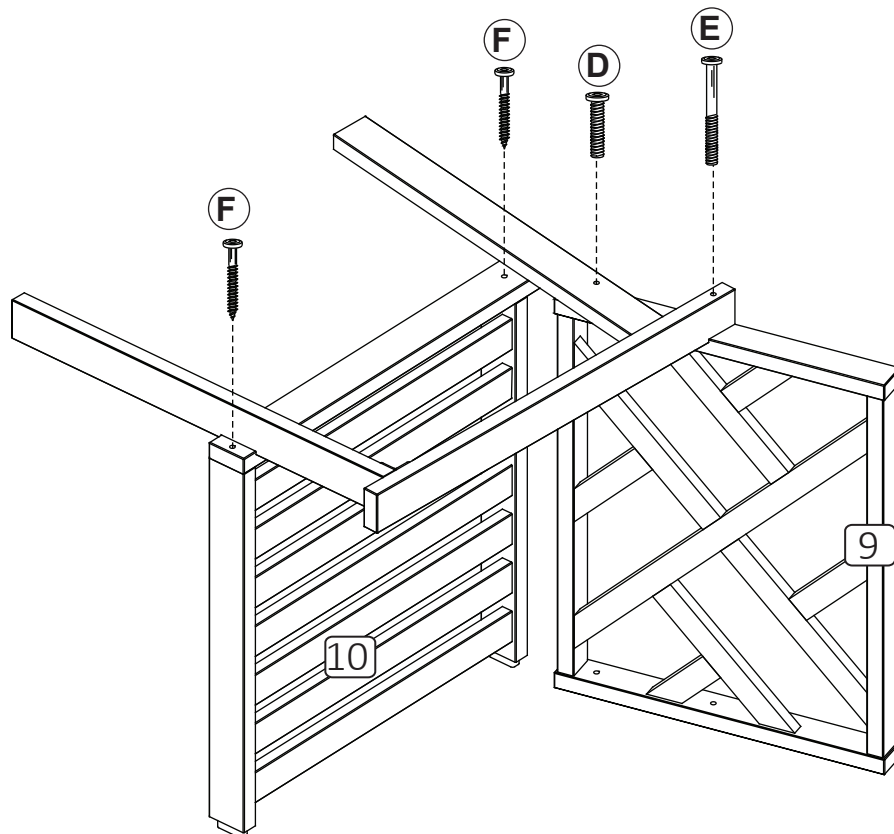
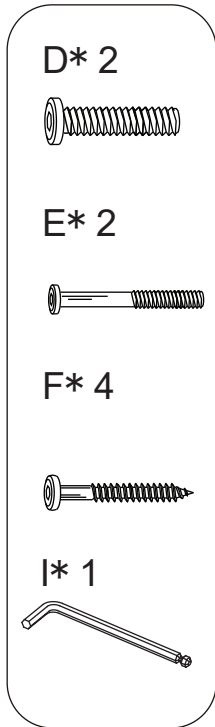


6 X3



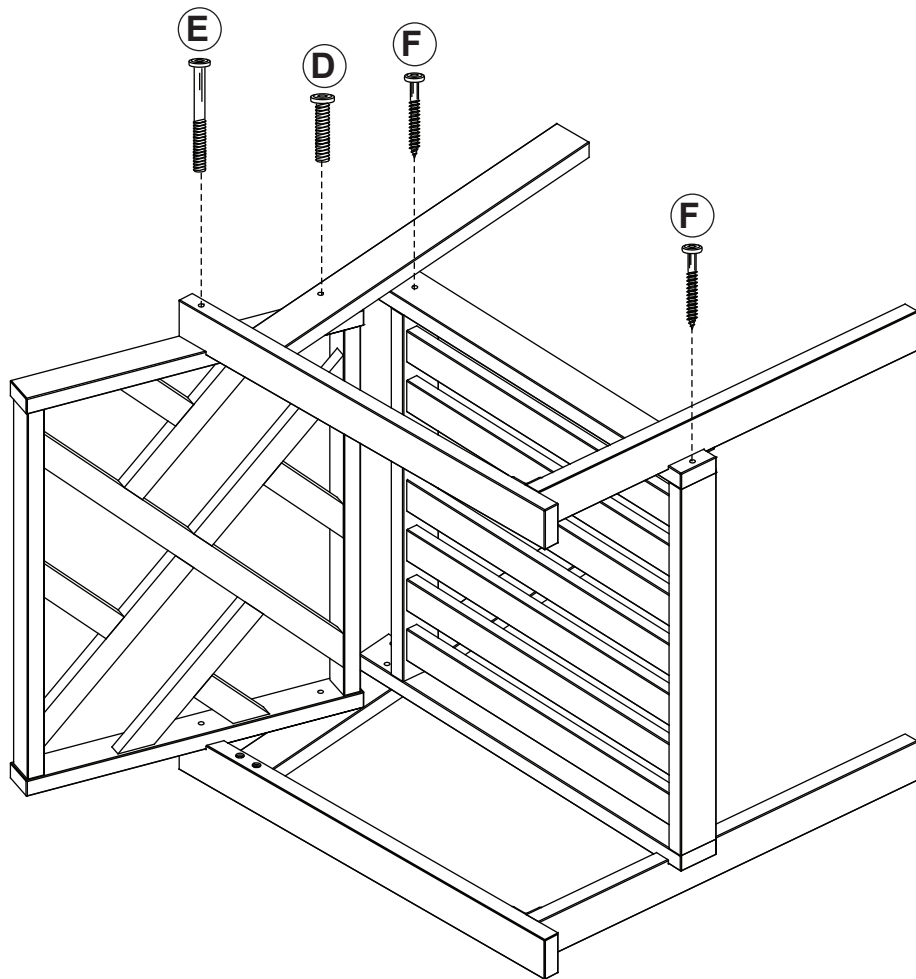
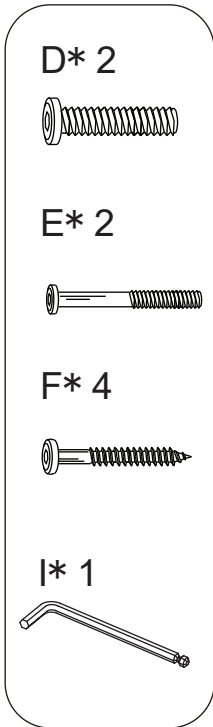
Assemble Chair

7 X2



Assemble Chair

8 X2



Assemble Chair

9 X2

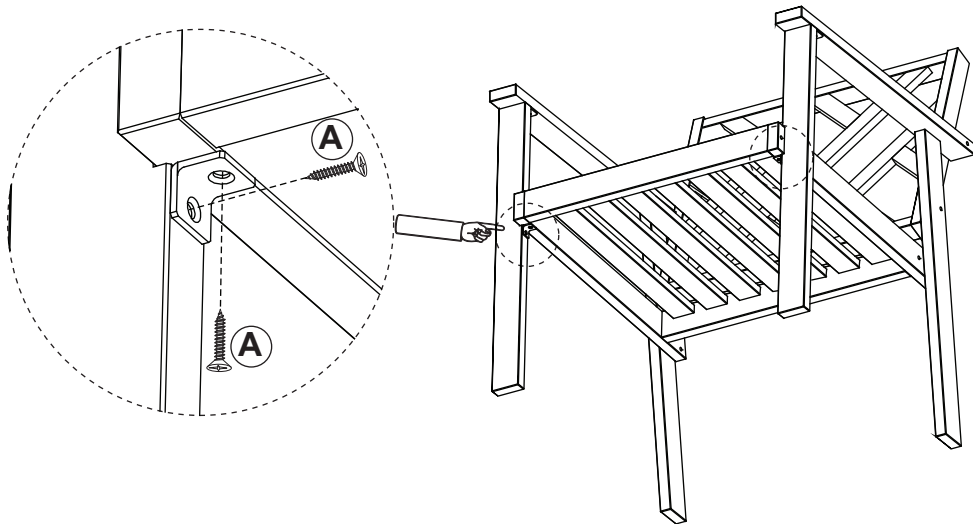
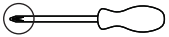
A* 8



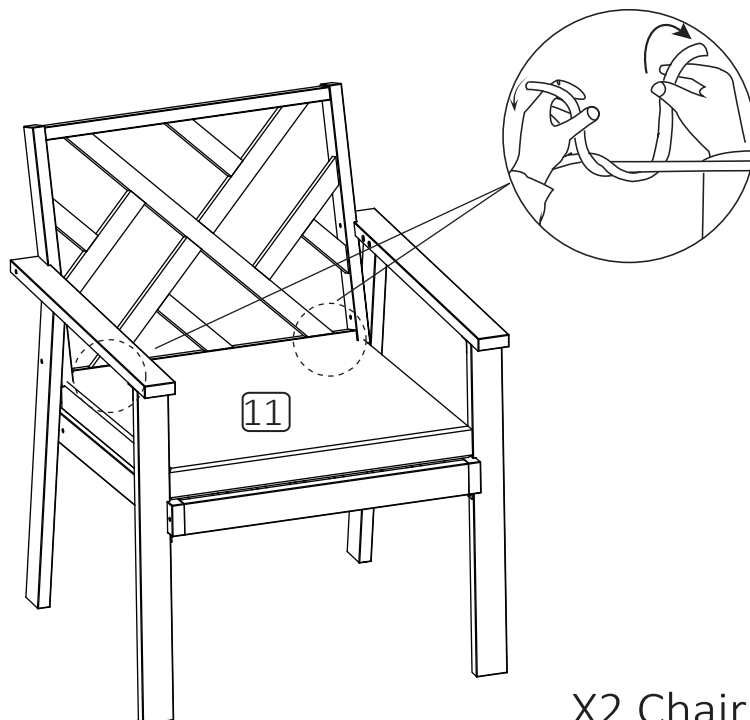
H* 4



Tool required
(Not included)
Size: Medium



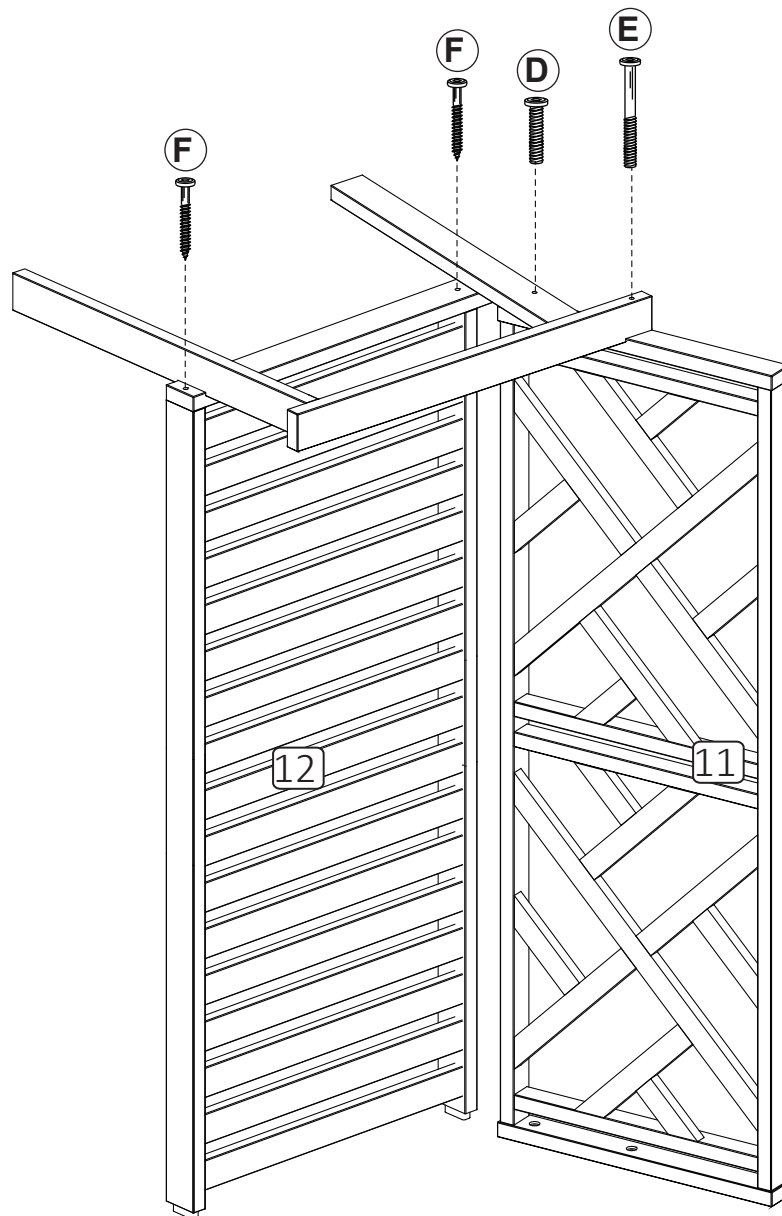
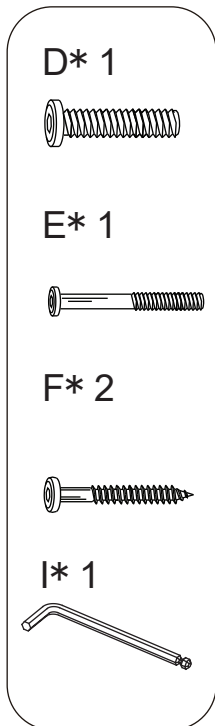
10 X2



X2 Chair

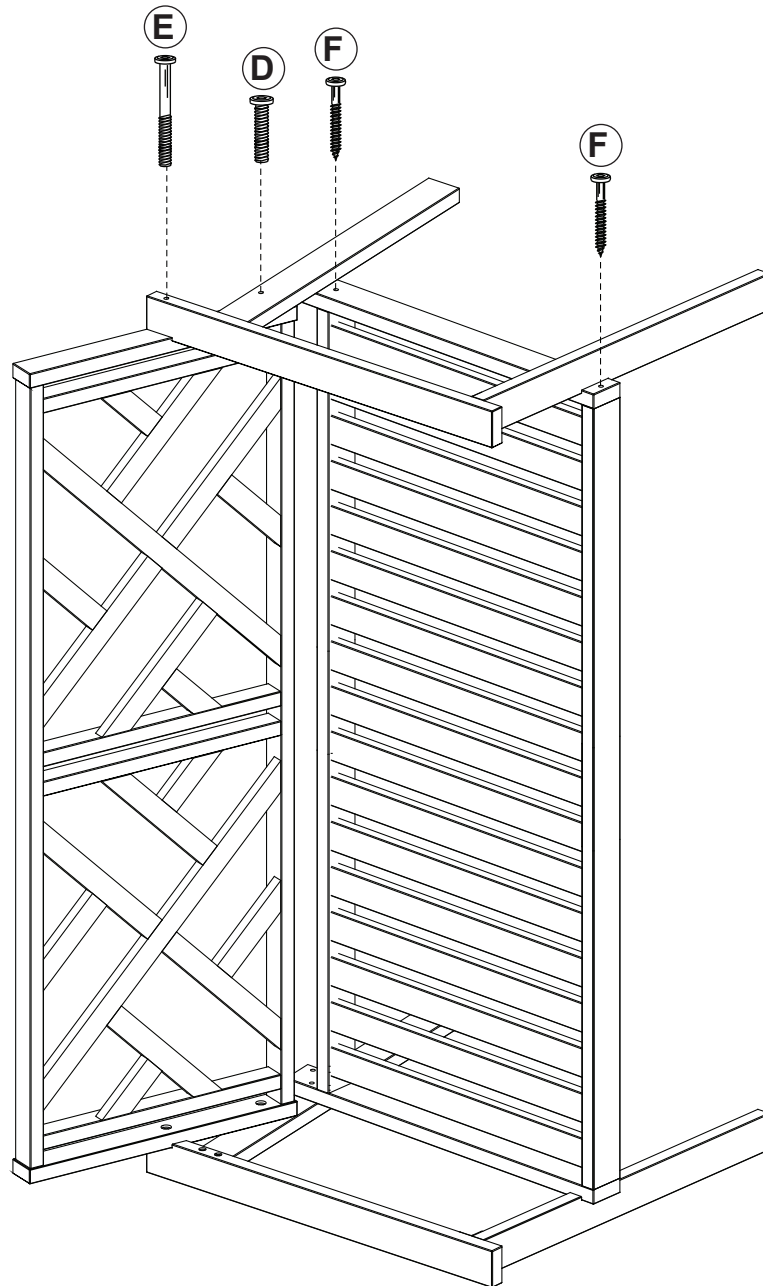
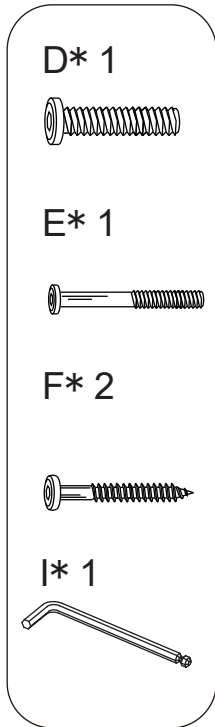
Assemble Bench

11



Assemble Bench

12



Assemble Bench

13

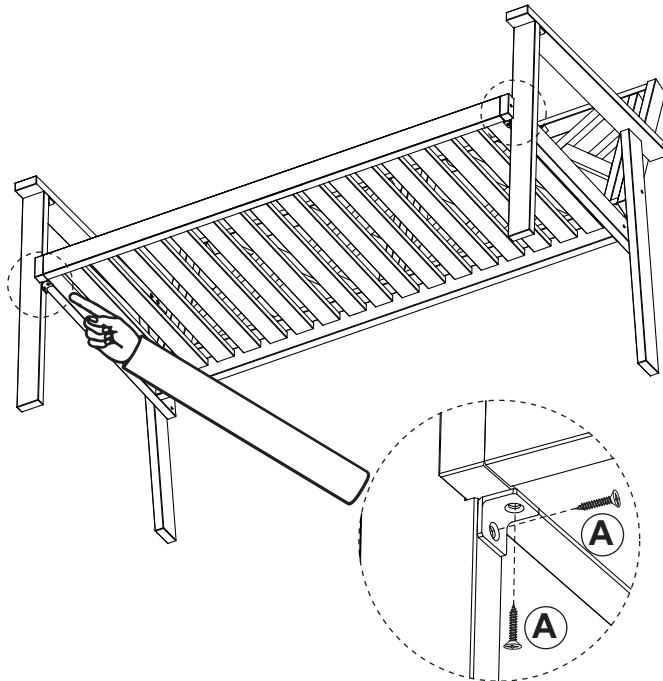
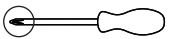
A* 4



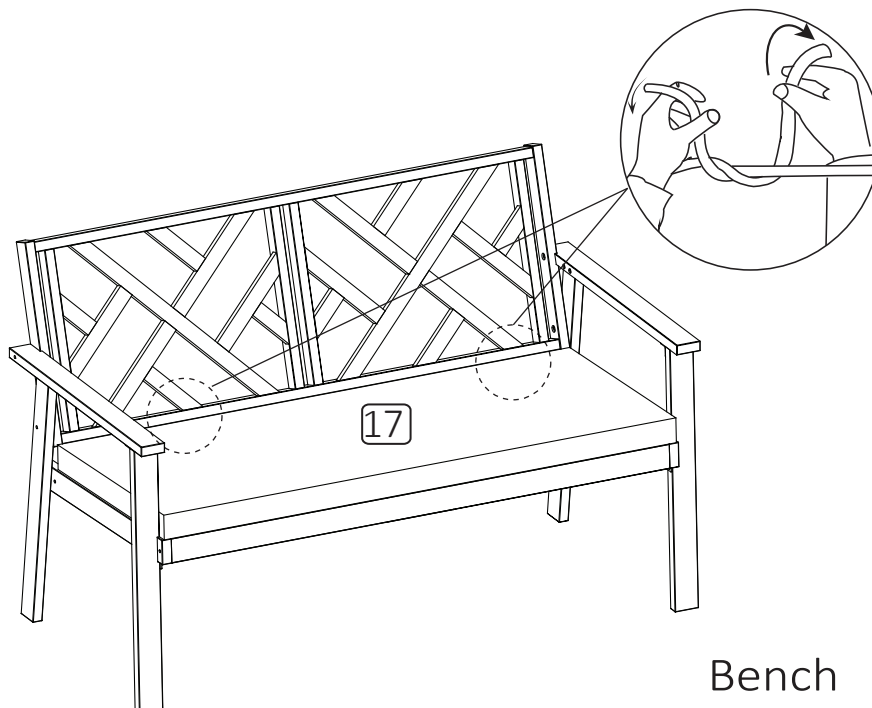
H* 2



Tool required
(Not included)
Size: Medium



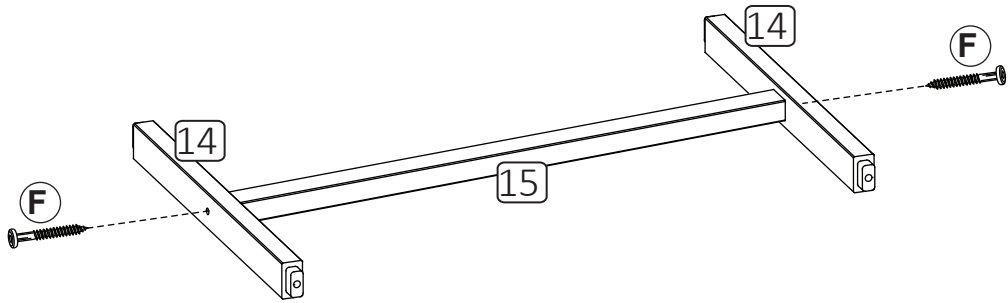
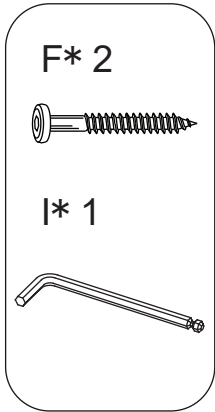
14



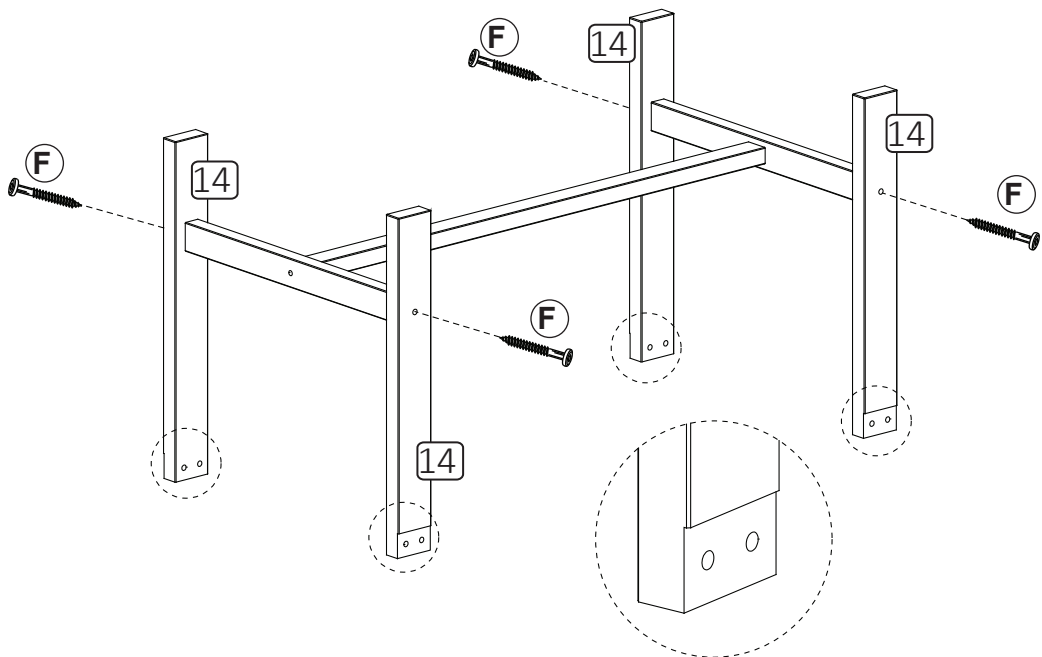
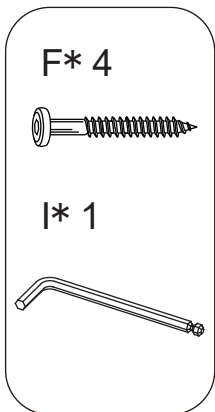
Bench

Assemble Table

15

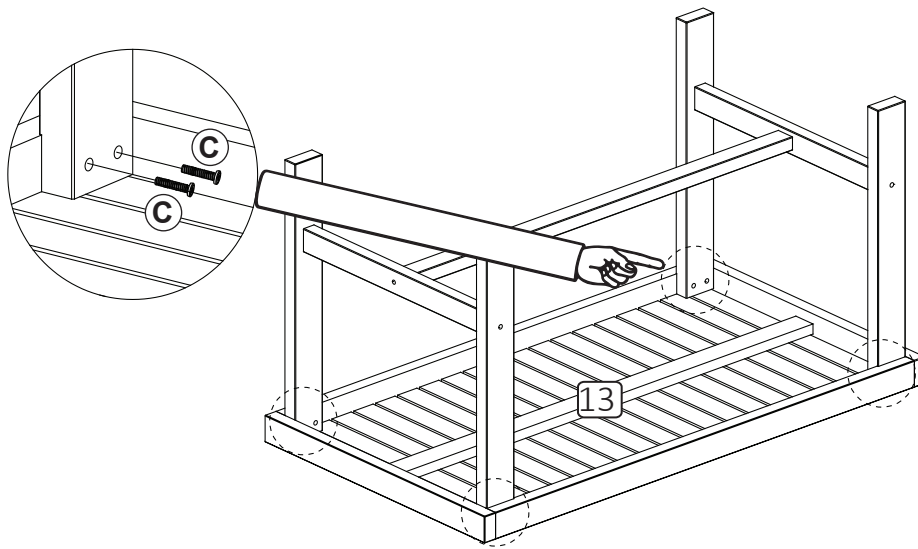
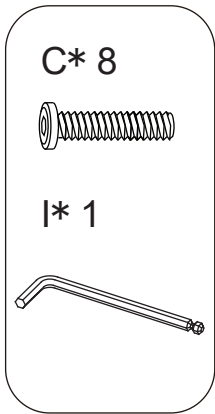


16

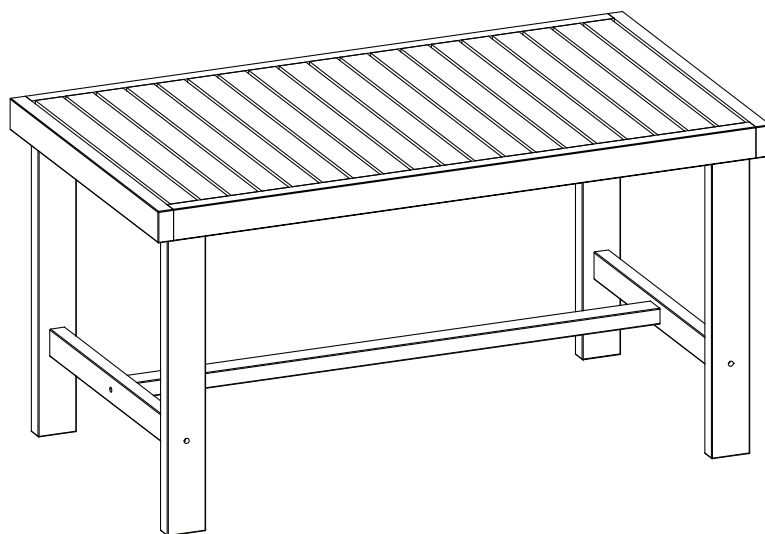


Assemble Table

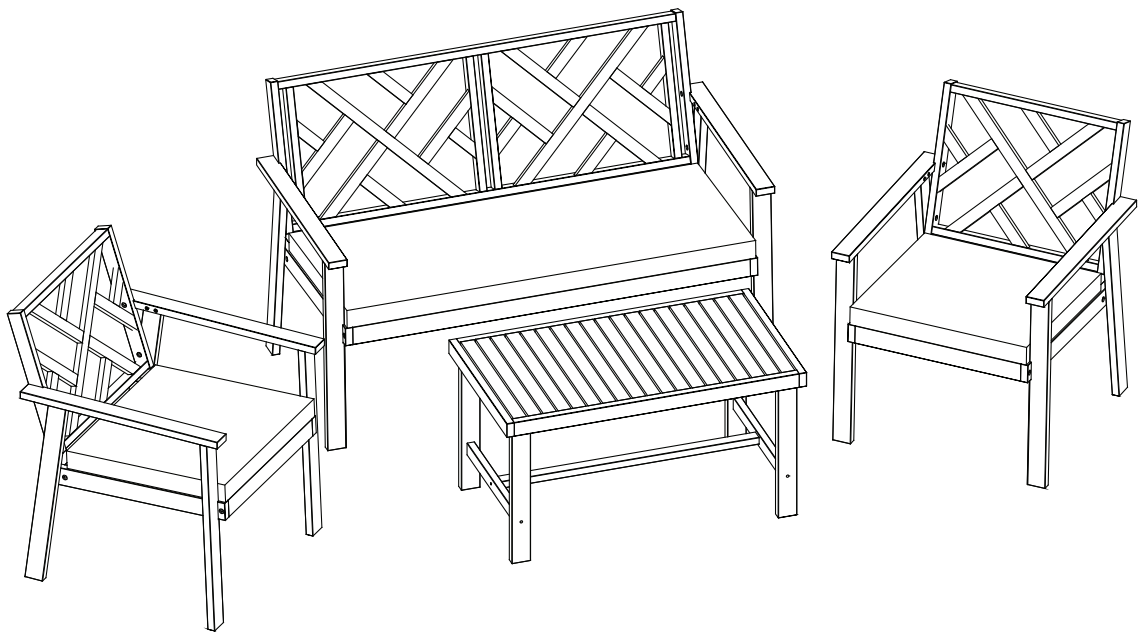
17



18



Table



Limited Warranty

We warrant to the original consumer-purchaser only that this product shall be free from defects in workmanship and materials after correct assembly and under normal and reasonable home use for the periods, normal residential use and recommended care for 1-Year Limited Warranty from the date of original retail purchase. A replacement for any defective part will be supplied free of charge for installation by the consumer. Requests for expedited shipments of warranted parts will be at the consumer's / purchaser's expense. Defects or damage caused by the use of other than genuine parts are not covered by this warranty. This warranty shall be effective from the date of purchase as shown on the purchaser's receipt.

This warranty is valid for the original consumer / purchaser only and excludes industrial, commercial or business use of the product, product damage due to shipment or failure which results from alteration, product abuse or product misuse whether performed by a contractor, service company or consumer. We will not be responsible for labor charges and/or damage incurred in installation, repair or replacement, nor for incidental or consequential damage.