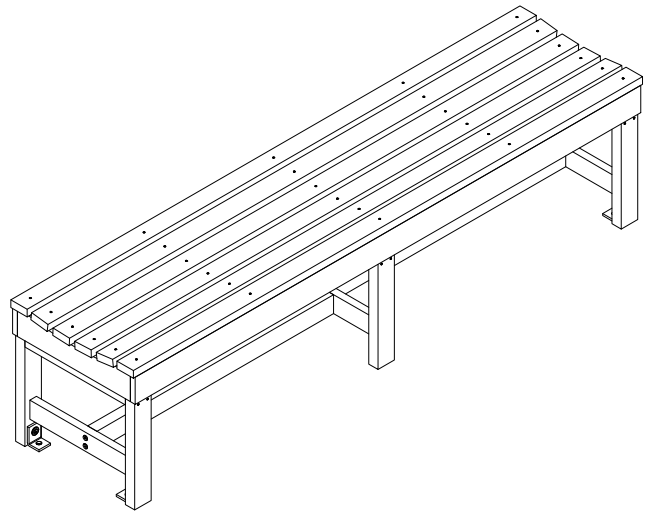


Picnic Bench 6ft

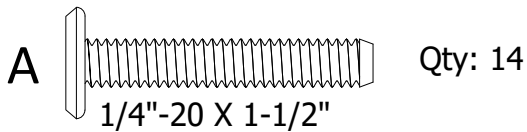
Assembly Guide

IMPORTANT!

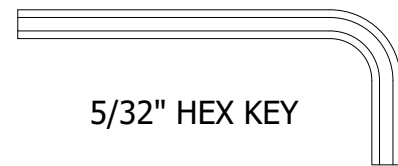
DO NOT fully tighten the bolts until all bolts are started.
Once all bolts are inserted, go back & tighten all the bolts.



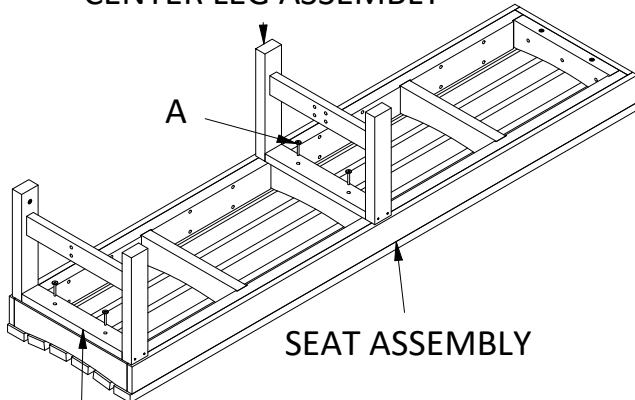
HARDWARE INCLUDED



TOOLS INCLUDED



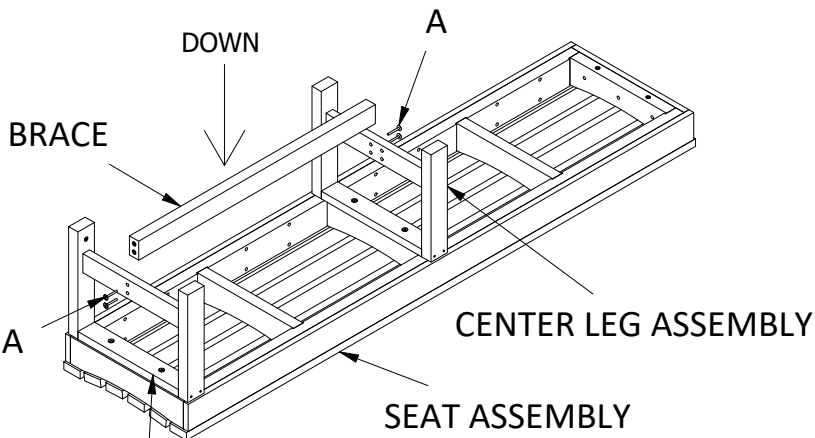
CENTER LEG ASSEMBLY



1) Begin with placing the Seat Assembly face down.

2) Attach the Outer Leg Assembly and the Center Leg Assembly to the Seat Assembly using (4) "A" bolts.

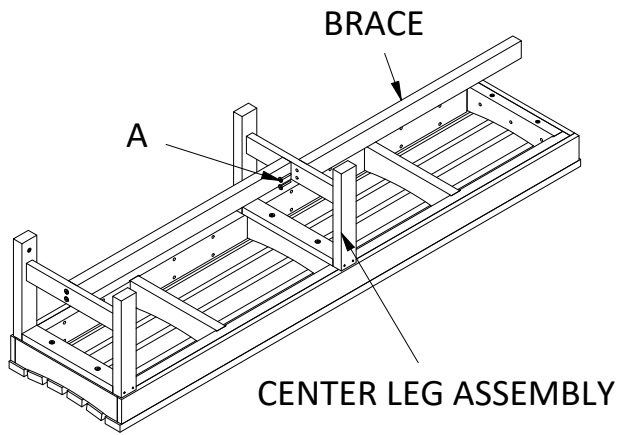
OUTER LEG ASSEMBLY



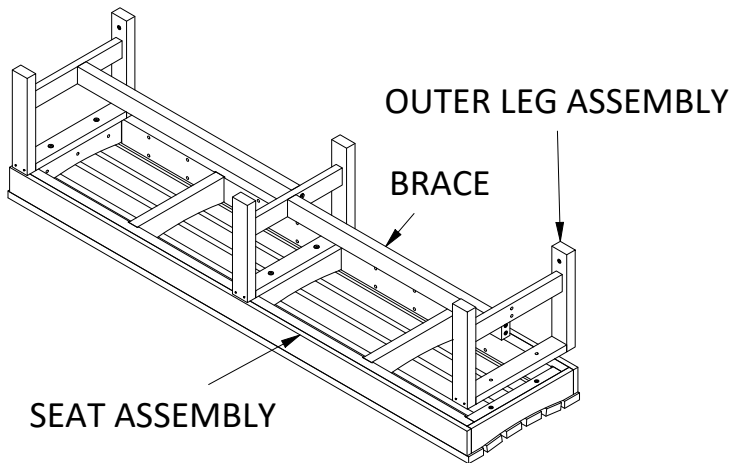
3) Slide the Brace in between the Outer Leg Assembly and the Center Leg Assembly.

4) Attach the Brace to the Outer Leg Assembly and the Center Leg Assembly using (4) "A" bolts.

OUTER LEG ASSEMBLY

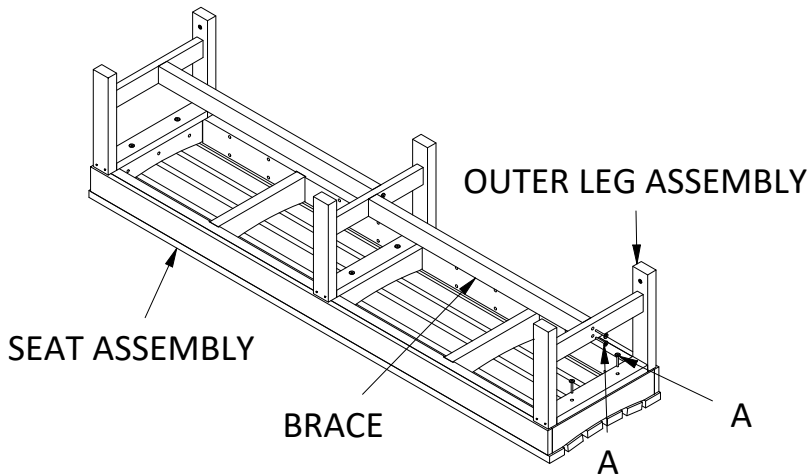


5) Attach the Brace to the Center Leg Assembly using (2) "A" bolts.



6) Place Outer Leg Assembly on Seat Assembly.

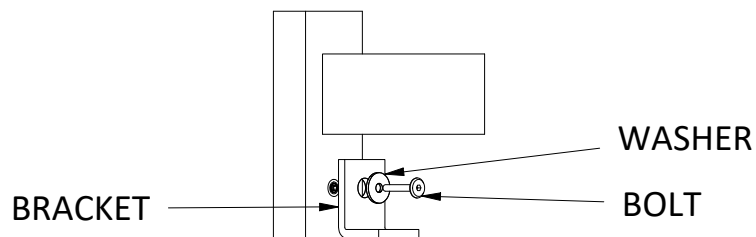
7) Make sure that the holes in the Outer Leg Assembly line up with the holes in the Brace and the Seat Assembly.



8) Ensuring that everything is in the correct position, attach the Outer Leg Assembly to the Seat Assembly using (2) "A" bolts.

9) Attach the Brace to the Outer Leg Assembly using (2) "A" bolts.

Included hardware for Optimal Surface Mounting - 4X



Note: Ground Anchors not included