

HAPPINESS HAPPINESS INSTALLATION



- If you have any questions with the product, please contact us by:
- **Email: customerservice@zoy-living.com**
(we will reply to you within 24 hours)

Assembly Instructions

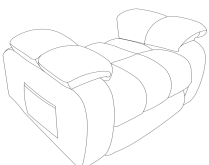

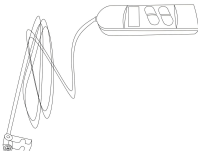

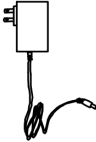
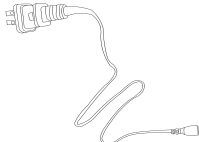

Model: CD0481A

CAUTION

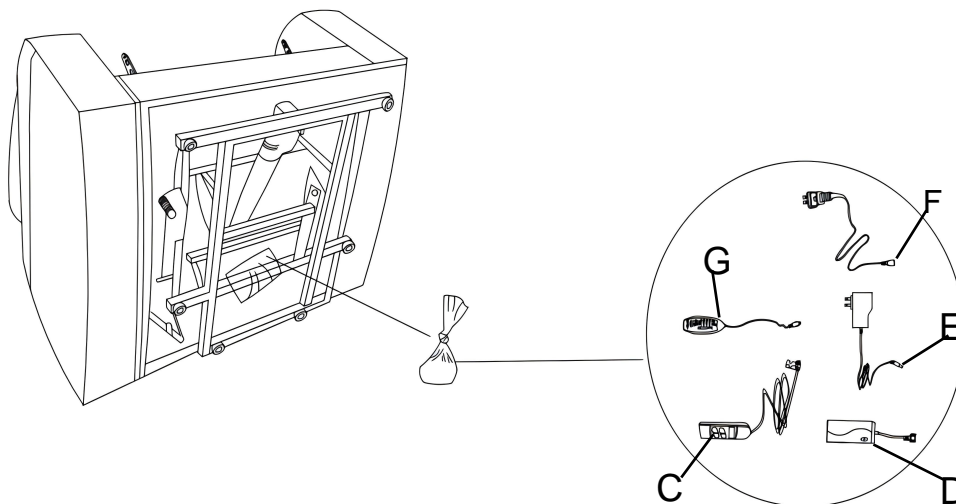
DO NOT use any sharp objects to open plastic wrapped components as this may result damage to product or components .

Your Recliner is packaged in a single box. Please carefully remove all components from the packaging and set them aside for assembly.

Package Contents

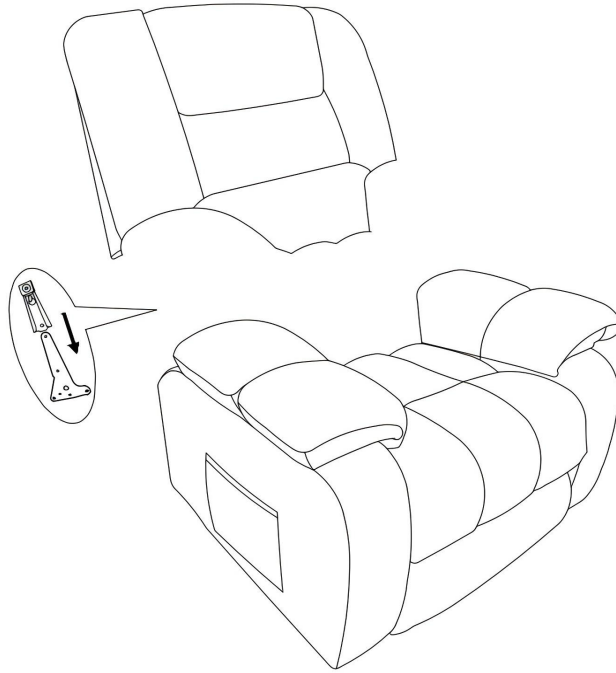
BOX 1 CD0481AF21D				
	A*1	B*1	C*1	D*1
				
E*1	F*1	G*1		

STEP 1 : Locate a small bag in the bottom of seat. Take out the power accessories from this small bag. (Motor controller (C), power box (D) , massager power cord (E), power box power cord (F), massager controller (G))



1 Installation Instruction

STEP 2: As shown in the figure, connect the backrest (B) to the seat (A) by aligning the metal slider to . Before use, make sure the installation is complete and secure.



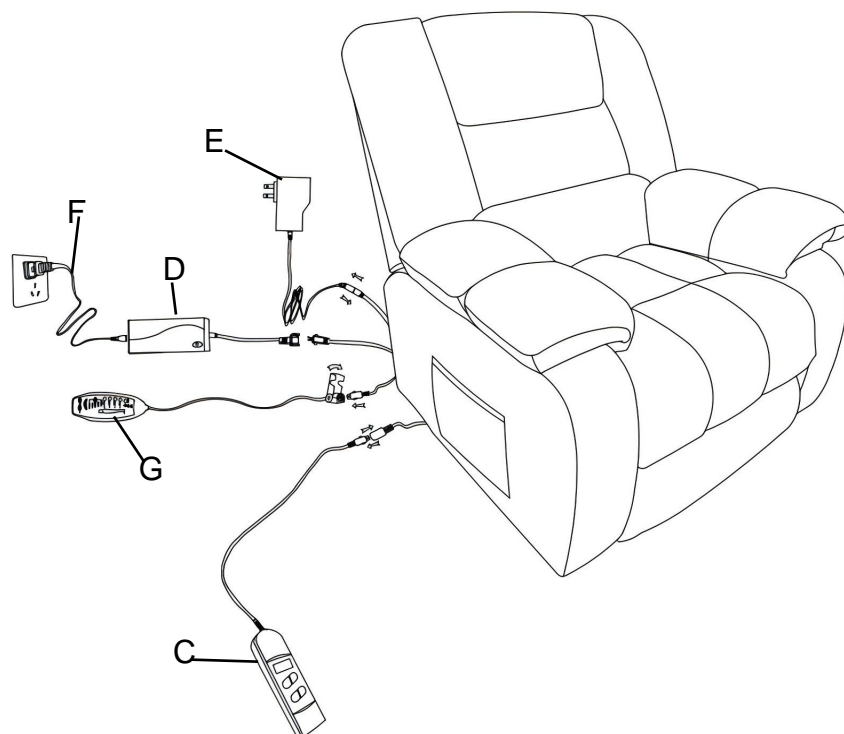
Wire No. 1 and Wire No. 2: connect the backrest to the chair seat.

Wire No. 3: connects the backrest to the power cord (E).

Wire No. 4: connects the backrest to the massager remote control (G).

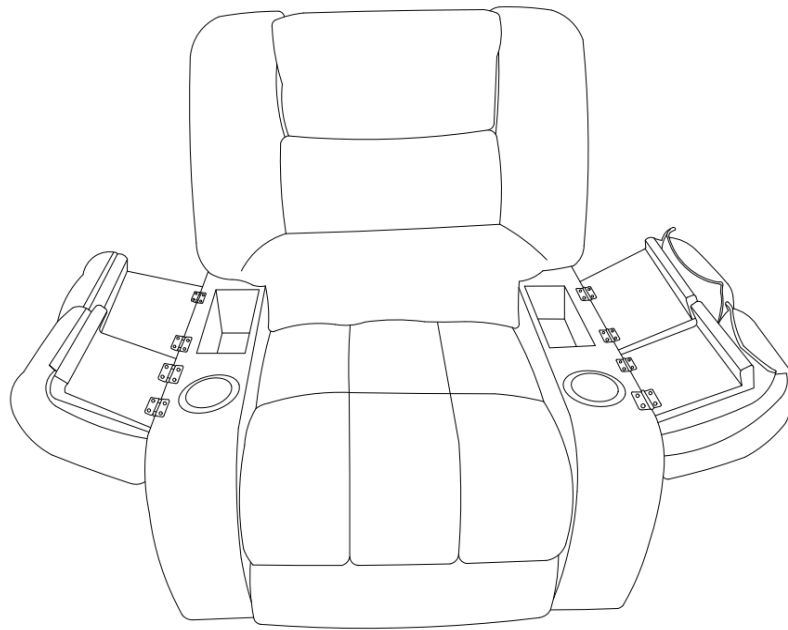
Wire No. 5: connects the motor to the motor remote control (C).

Wire No. 6: connects the motor to the power supply (D), and then connects the power cord (F) to the power supply (D).

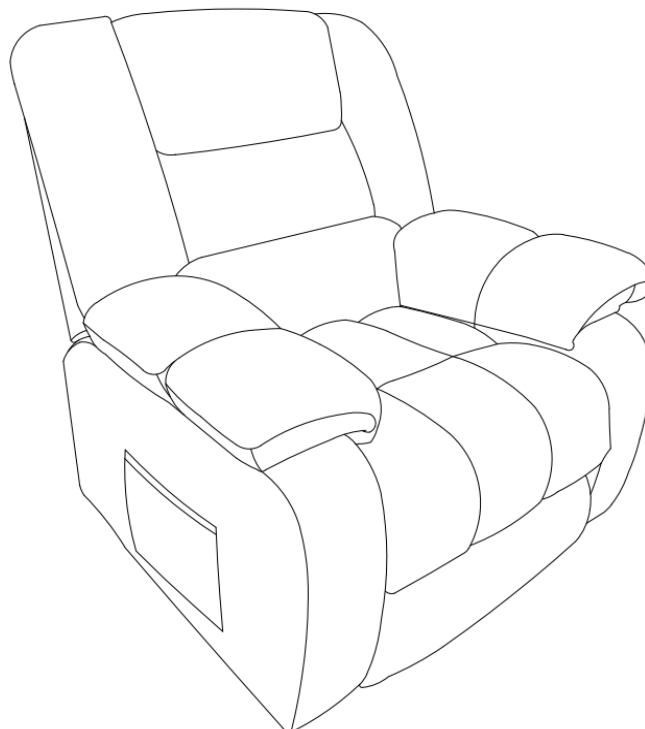


2 Assembly completed.

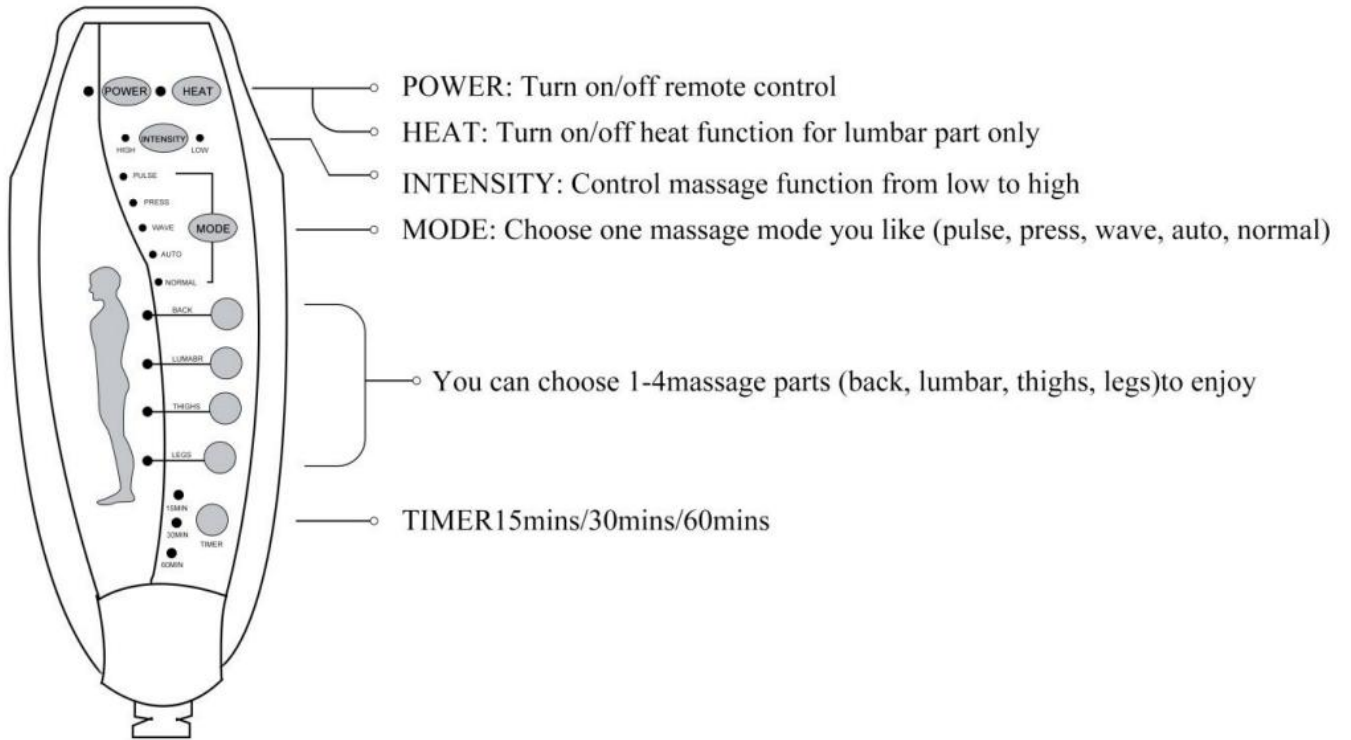
The armrest storage can be opened.



Assembly completed



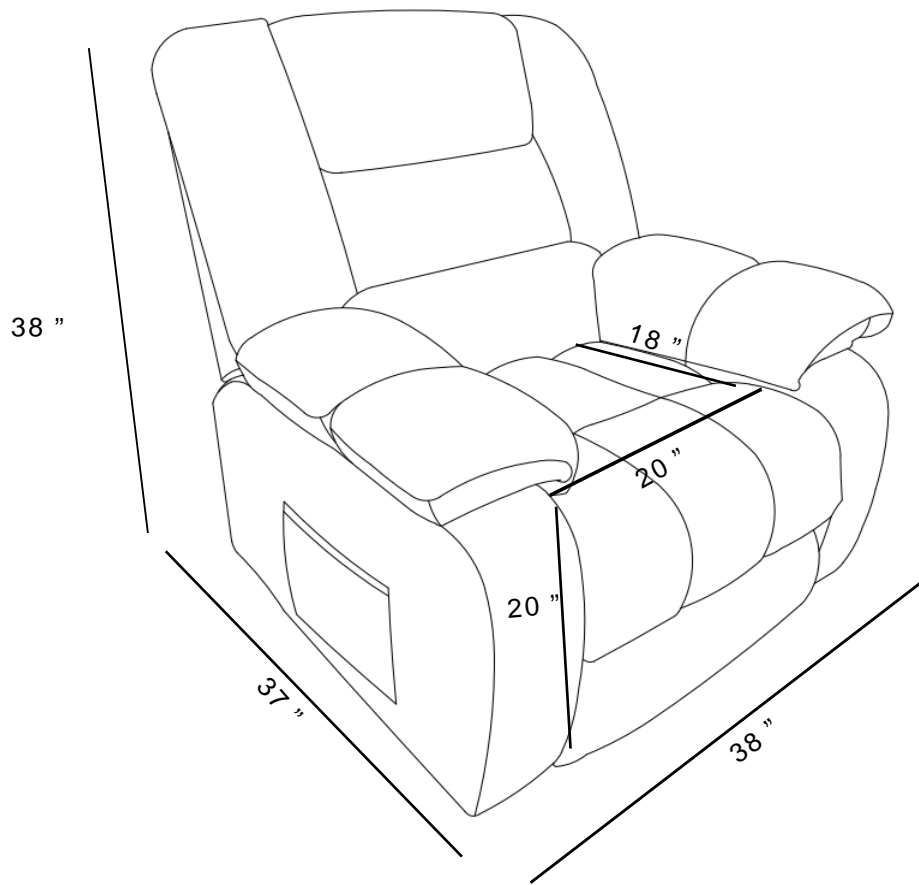
Operation Instruction



3 INSTRUCTIONS FOR USE - SIZE DIMENSIONS

Product dimensions

Size



Sofa

CD0481AF21D

Warnings

1. Please check if the components of the chair are all included and can be used normally.
2. Assemble all components according to the instruction correctly before you connect the chair to the power.
3. Please DO NOT sit on the armrests or footrest to eliminate the risk of tipping over.
4. If the chair is damaged or doesn't match the website description, please send clear pictures of the product and label of the carton to our service team for further help.
5. If the recliner doesn't work, you may try the following measures for self-checking firstly:
 - a) Check if all the cables are connected;
 - b) Check if the light of transformer is on.

If the chair still doesn't work, please feed the information back to our customer service in time and we'll help you solve the matter as soon as possible

6. If you have any questions with the product, please contact us by:

Email: customerservice@zoy-living.com(we will reply to you within 24 hours)

