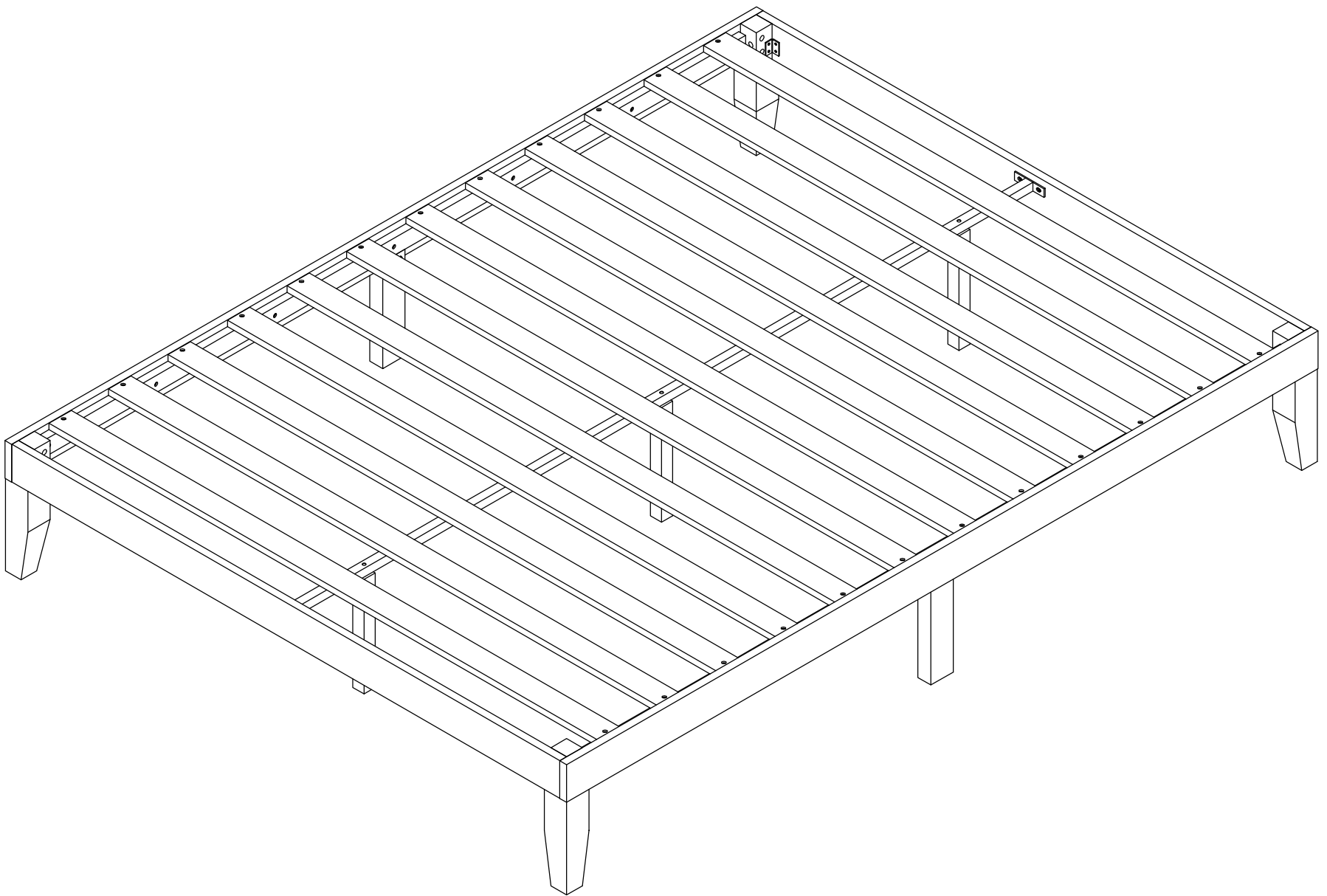
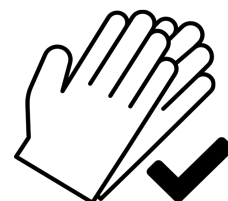
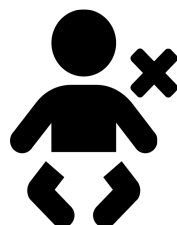


Assembly Instructions



ATTENTION PLEASE:

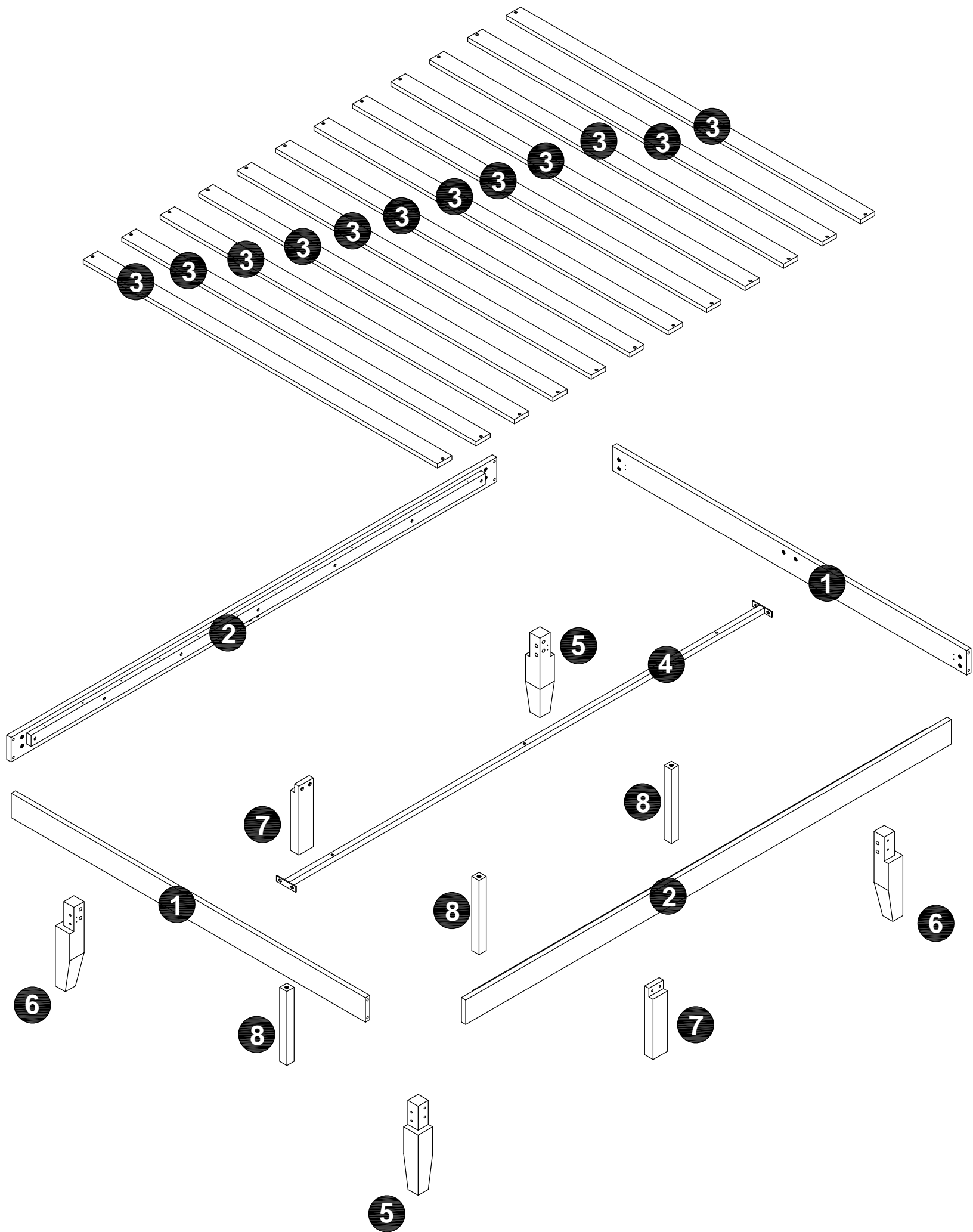
1. Please follow the instruction for assembly and preferably on a mat to avoid damage to the product.
2. We recommend assembly by 2 or more people!
3. Ideal installation time is 90 minutes.
4. Not intended for children.
5. Keep away from fire or other heat sources.
6. We recommend that you wear protective gloves during assembly.
7. **Once assembled, make sure to securely fasten the pantry to the wall using the included anti-tip kit for a safer living space.**



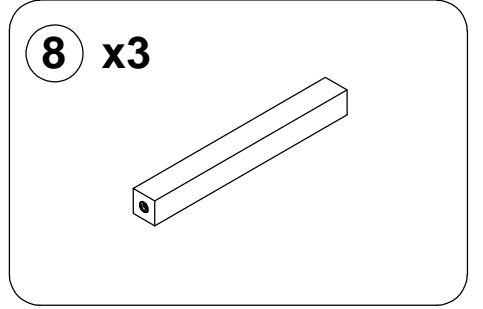
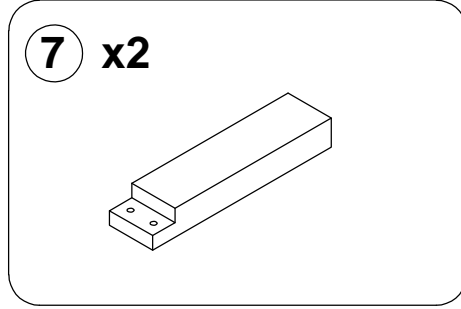
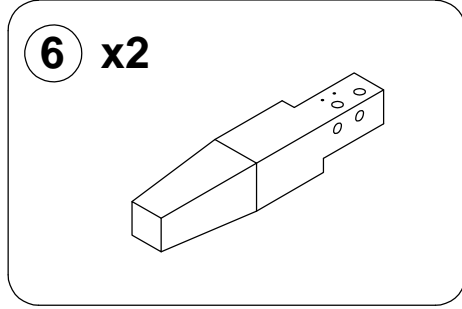
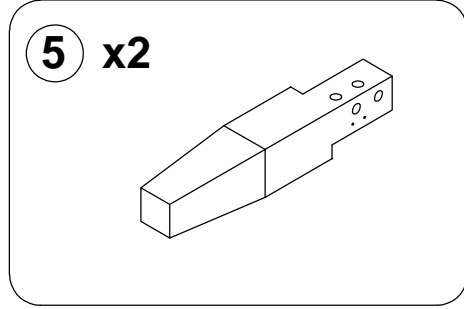
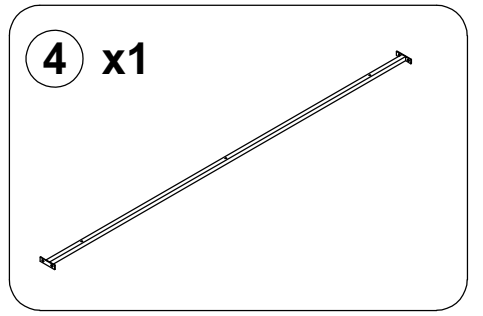
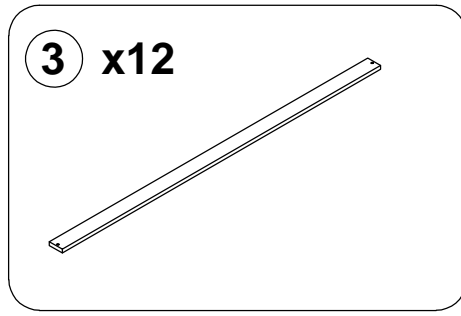
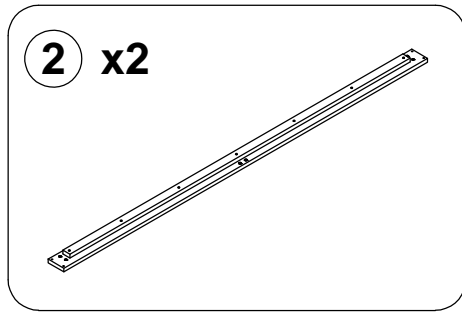
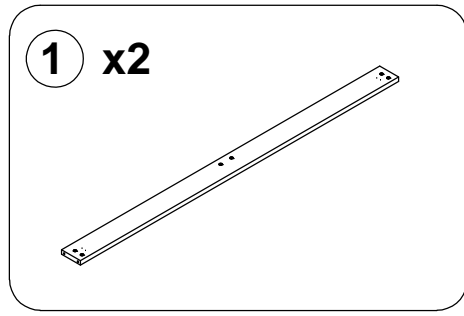
If you are not entirely satisfied with your purchase, please feel free to contact us using the following steps:

1. Go to Your Orders.
2. Find your order in the list.
3. Select Problem with order
4. Choose your topic from list displayed.
5. Select Contact seller.

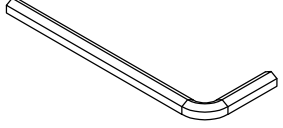
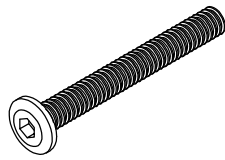
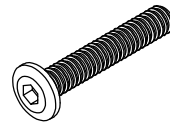

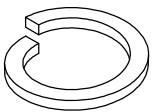
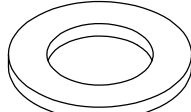
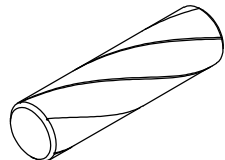
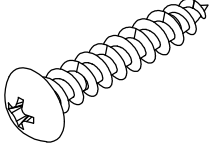
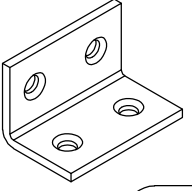
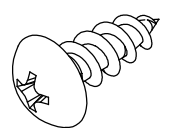
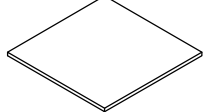
Part List



Part List



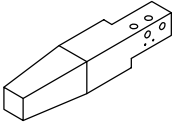
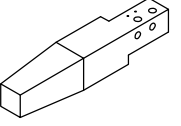
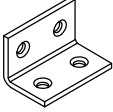
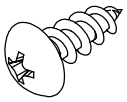
Hardware List

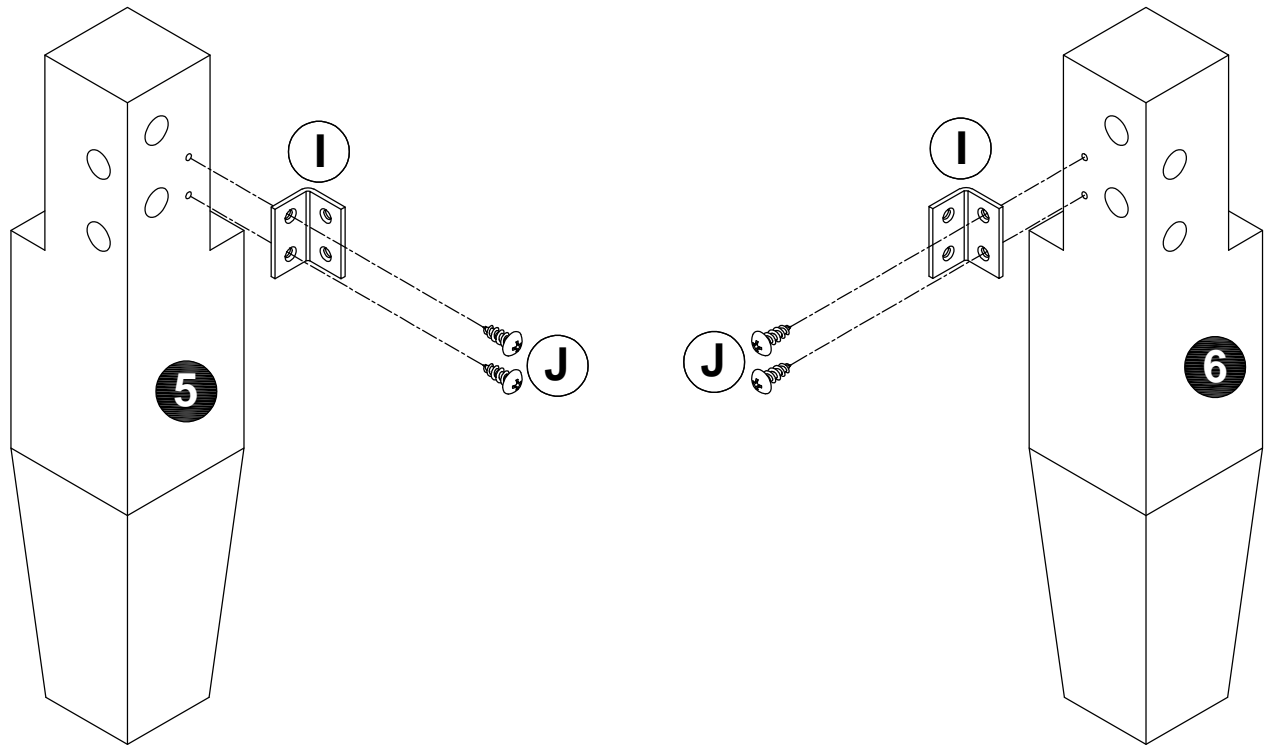
 <p>A M4 1PCS</p>	 <p>B M6x50mm 16+1PCS</p>	 <p>C M6x30mm 7+1PCS</p>	 <p>D M6x16mm 4+1PCS</p>
 <p>E 24+1PCS</p>	 <p>F 24+1PCS</p>	 <p>G Ø8x30mm 8+1PCS</p>	 <p>H M4x30mm 24+1PCS</p>
 <p>I 4PCS</p>	 <p>J M4x14mm 16+1PCS</p>	 <p>K 30x30x3mm 9+1PCS</p>	

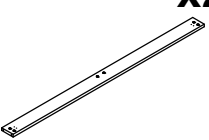
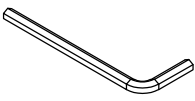


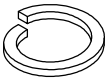
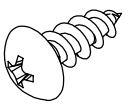
Please note:

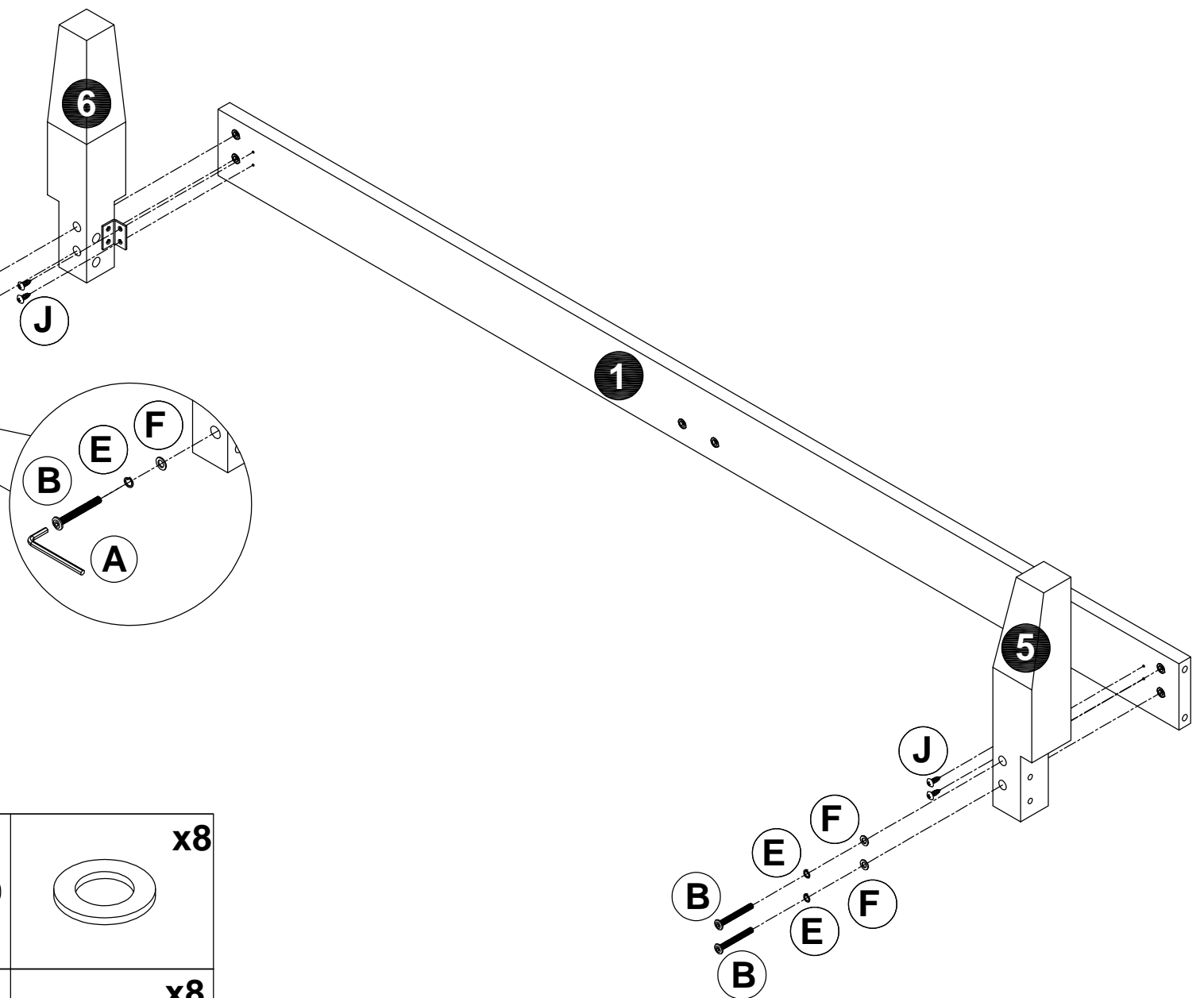
The accessory quantity "+1/+2" in the picture is the additional spare parts we have prepared for you.

1**x2**

5	 x2
6	 x2
I	 x4
G	 x8

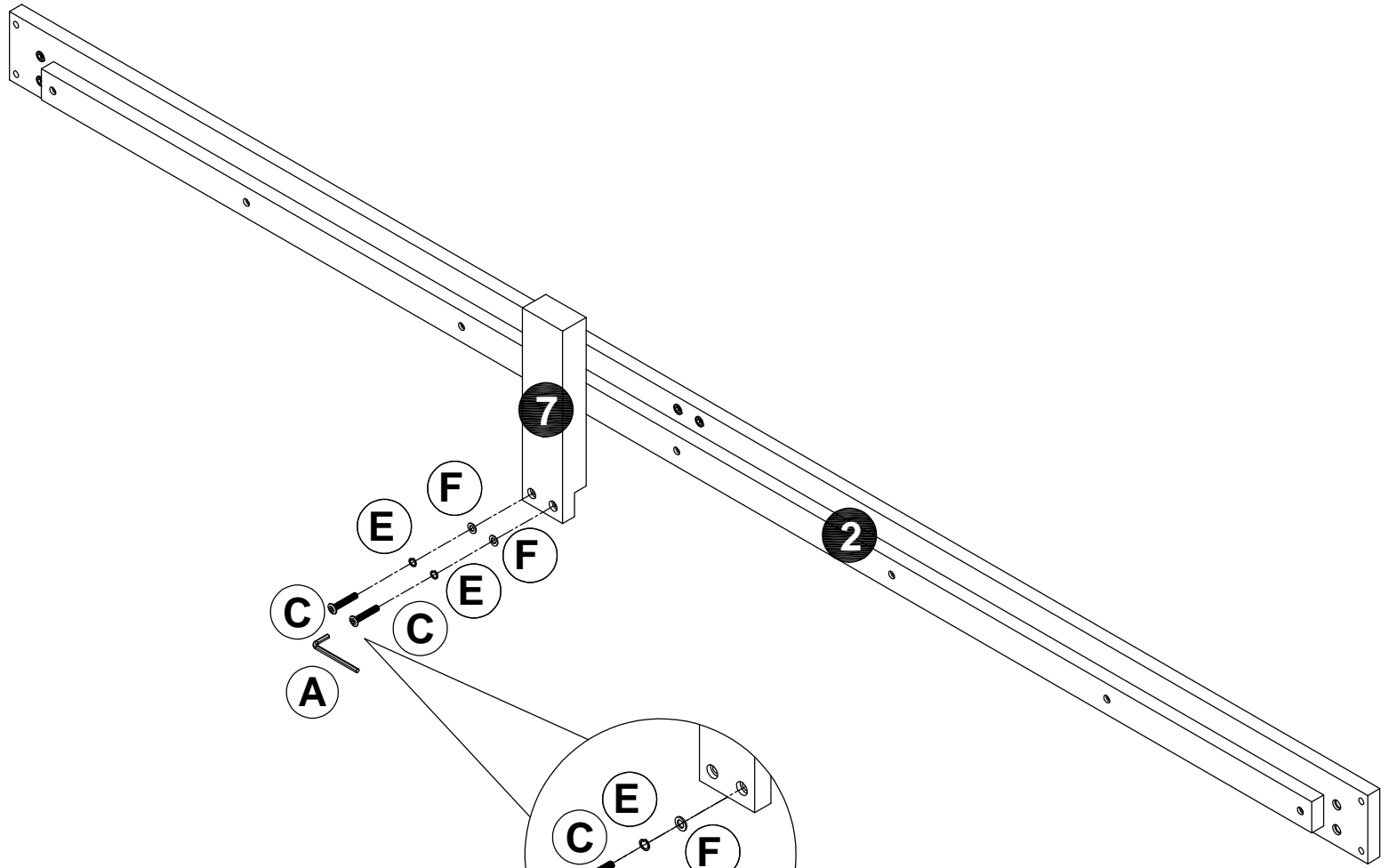
**2****x2**

1	 x2		
A	 x1		
B	 x8	F	 x8
E	 x8	J	 x8



3

x2



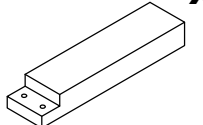
(2)

x2



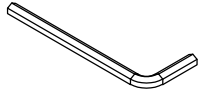
(7)

x2



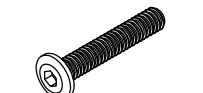
(A)

x1



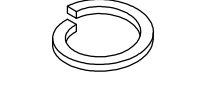
(C)

x4



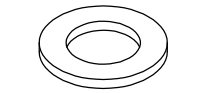
(E)

x4

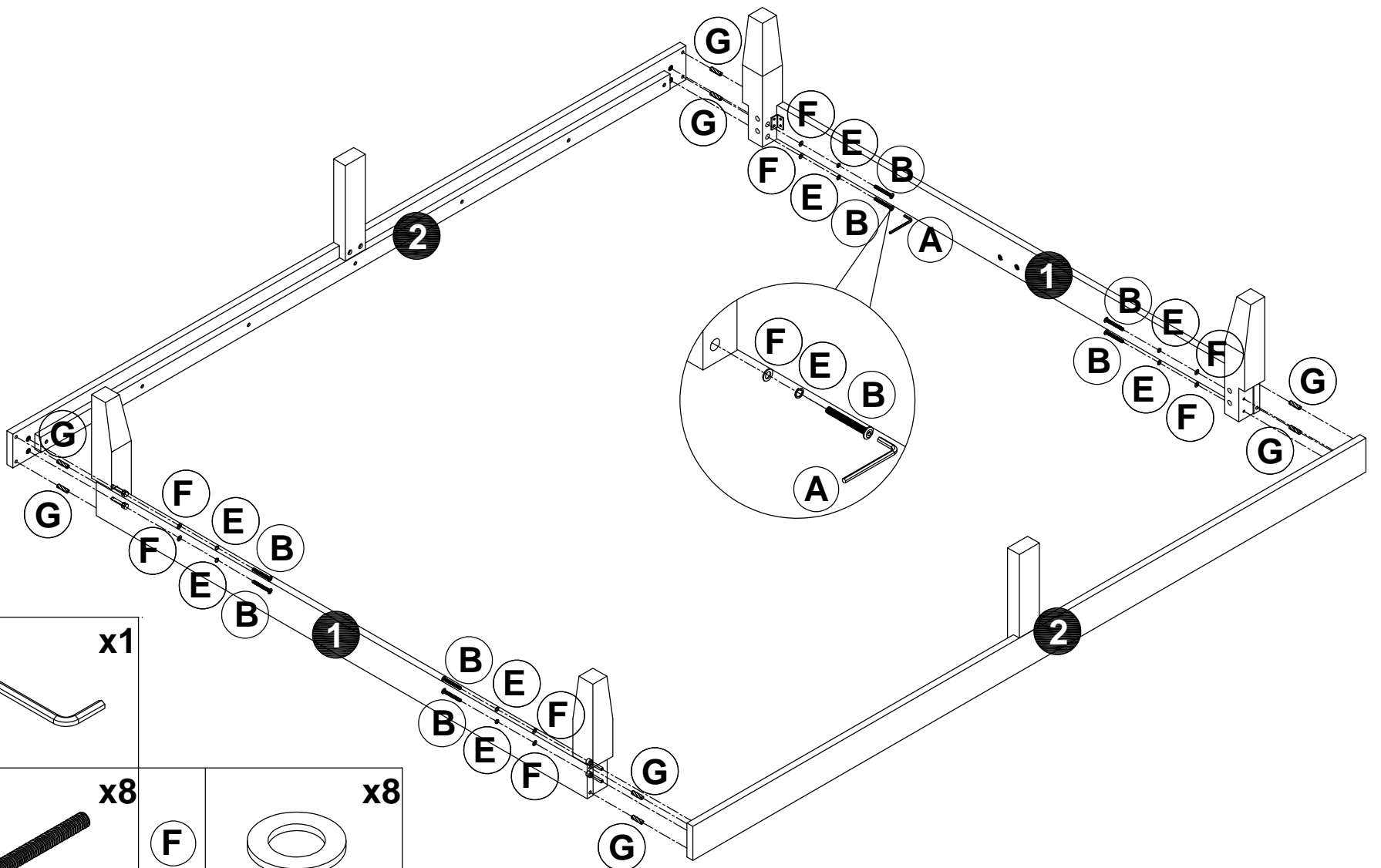


(F)

x4

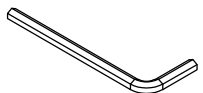


4



(A)

x1



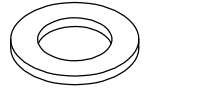
(B)

x8



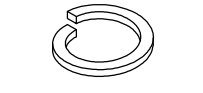
(F)

x8



(E)

x8

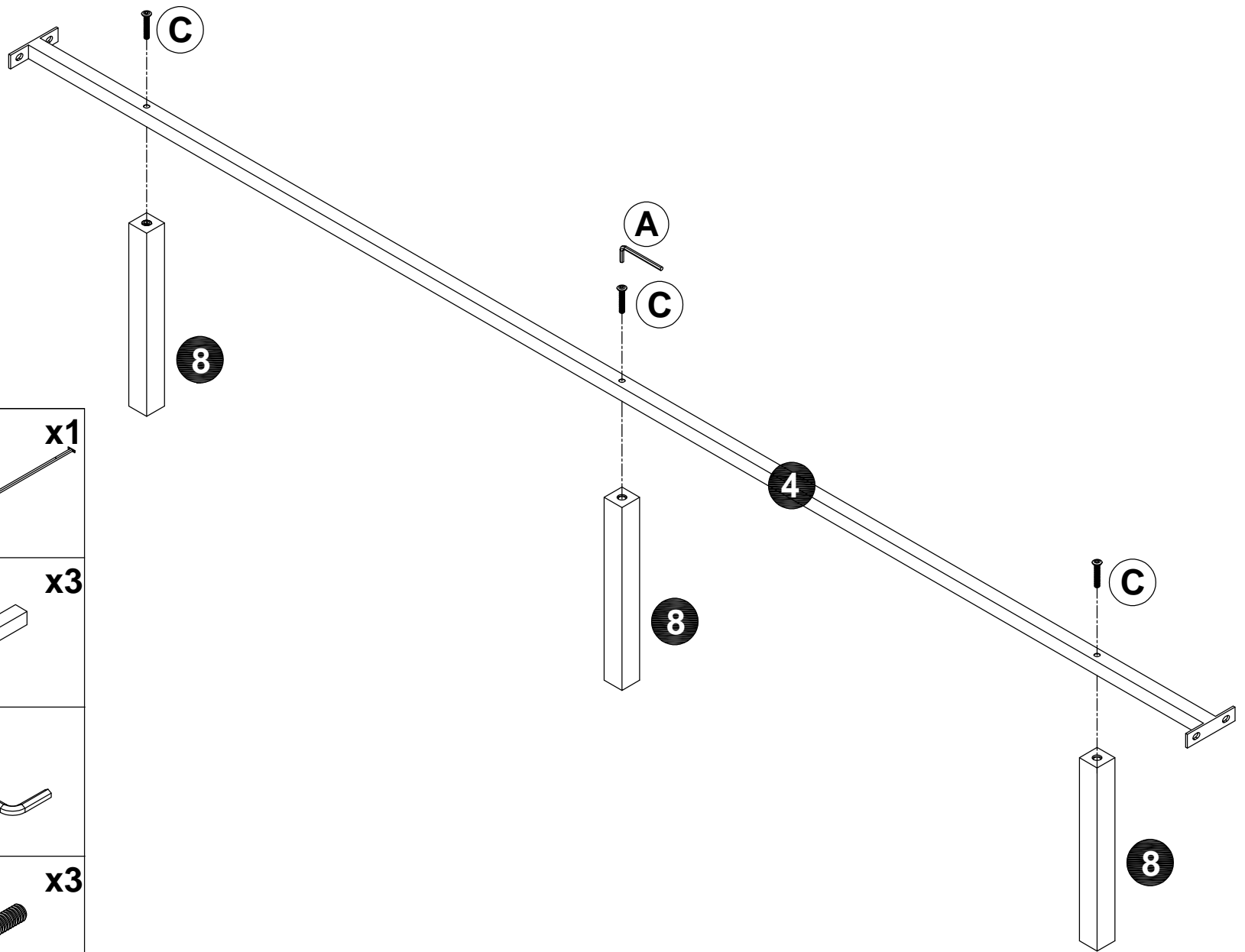


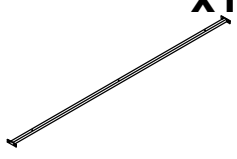
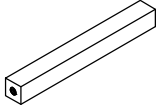
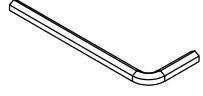
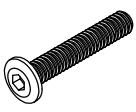
(G)

x8

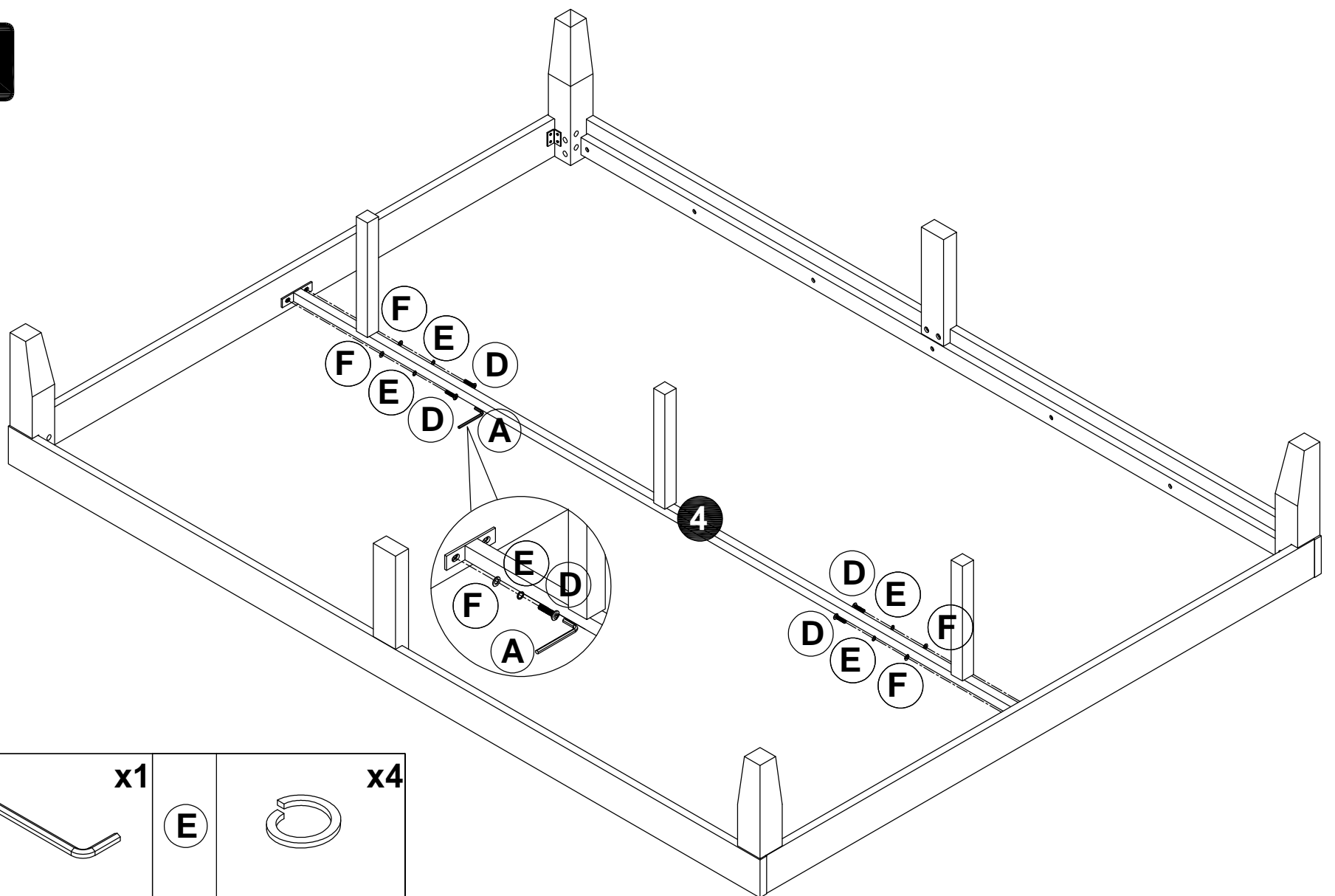


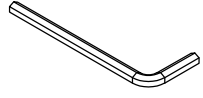

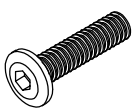
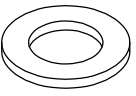
5



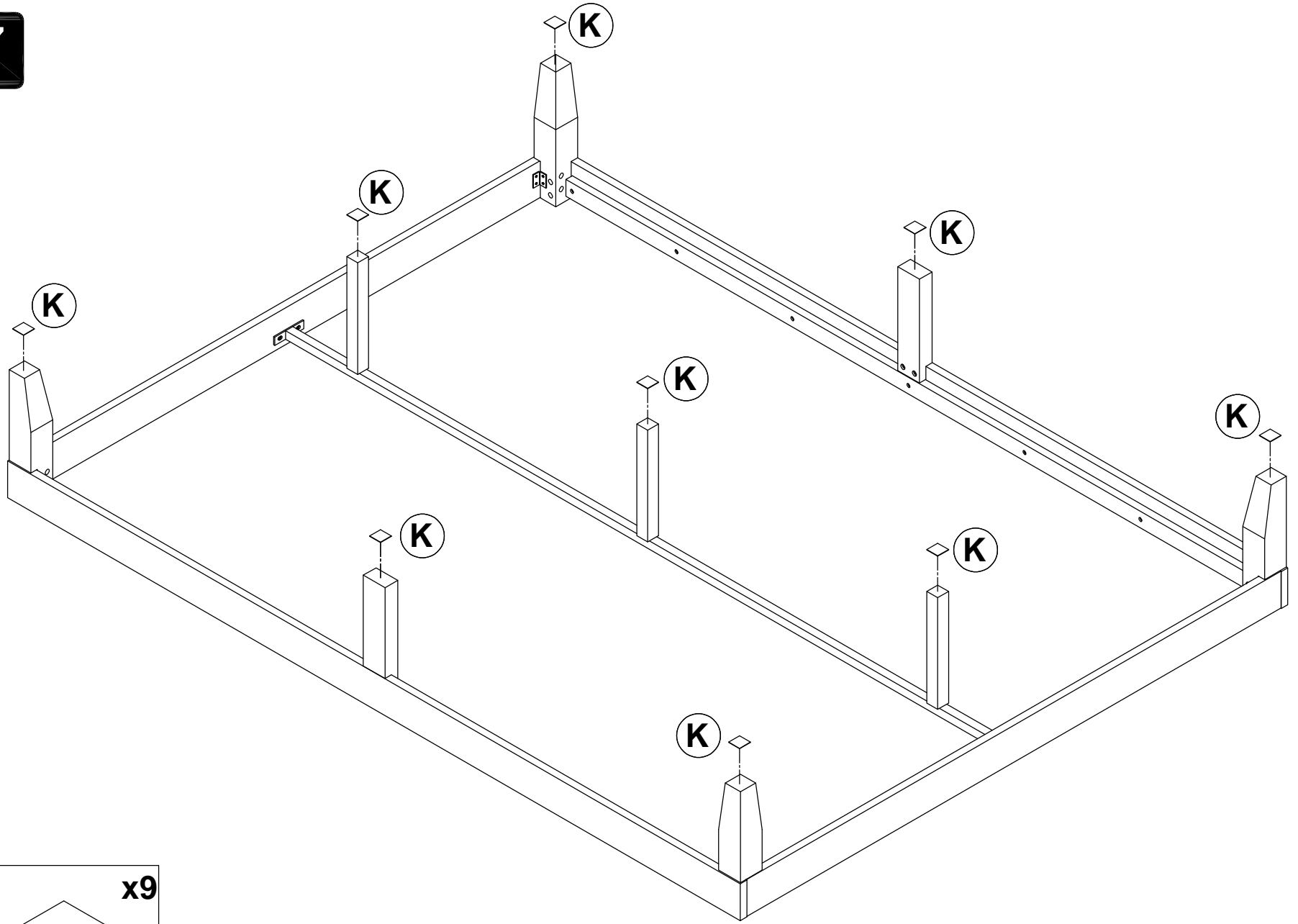
4	 x1
8	 x3
A	
C	 x3

6

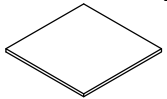


A	 x1	E	 x4
D	 x4	F	 x4

7

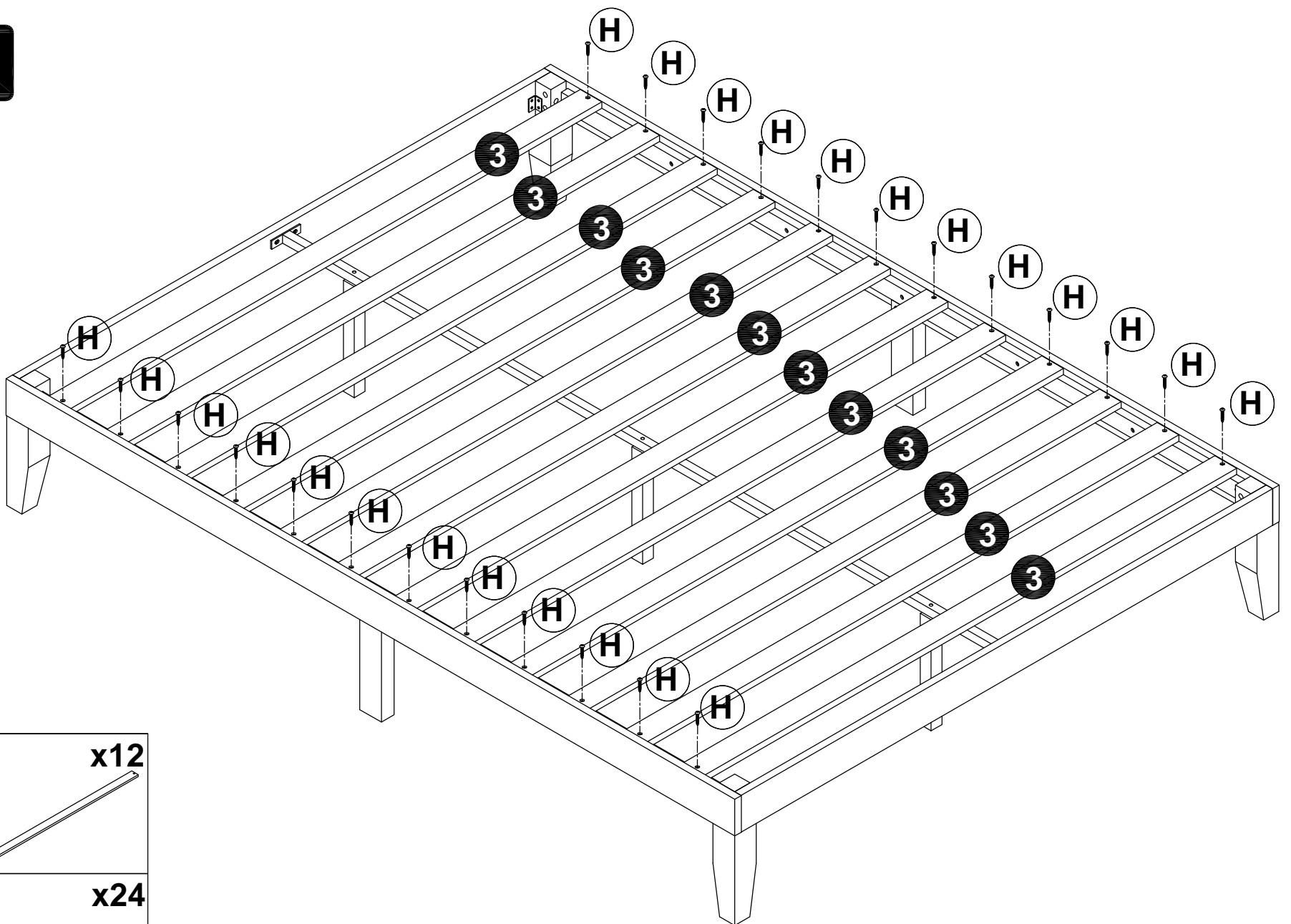


K

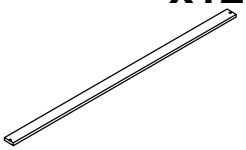


x9

8

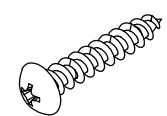


3



x12

H



x24