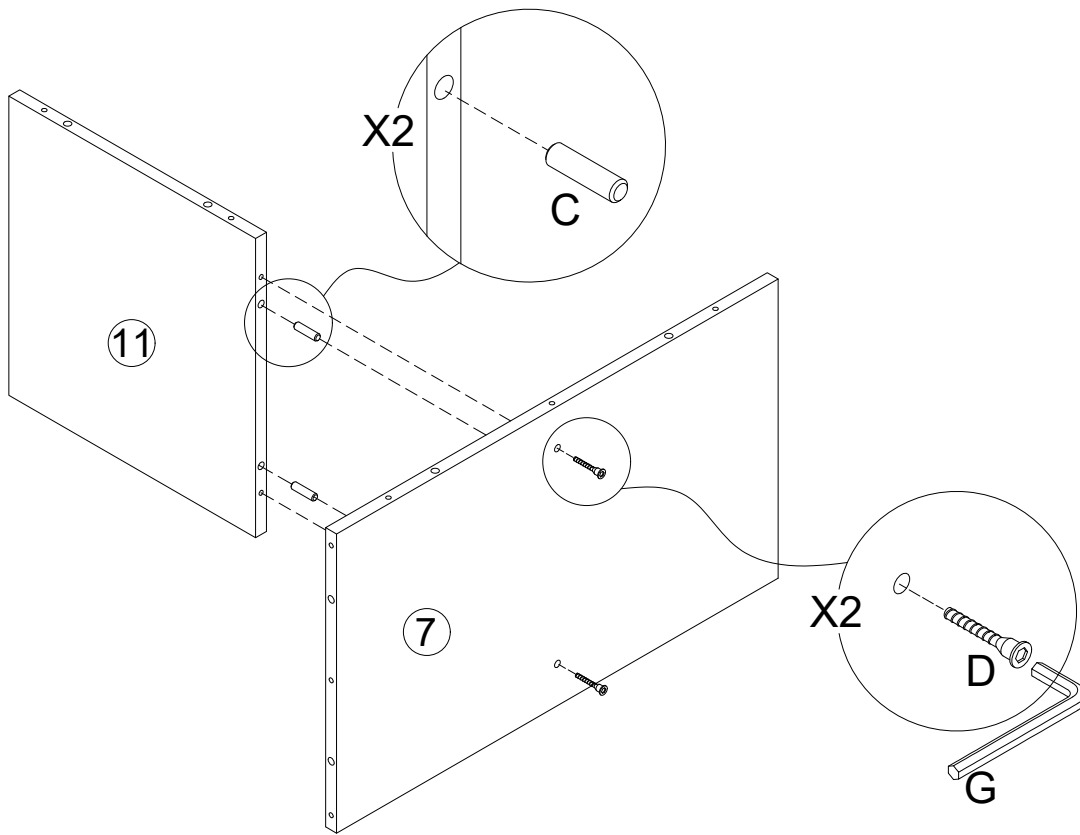
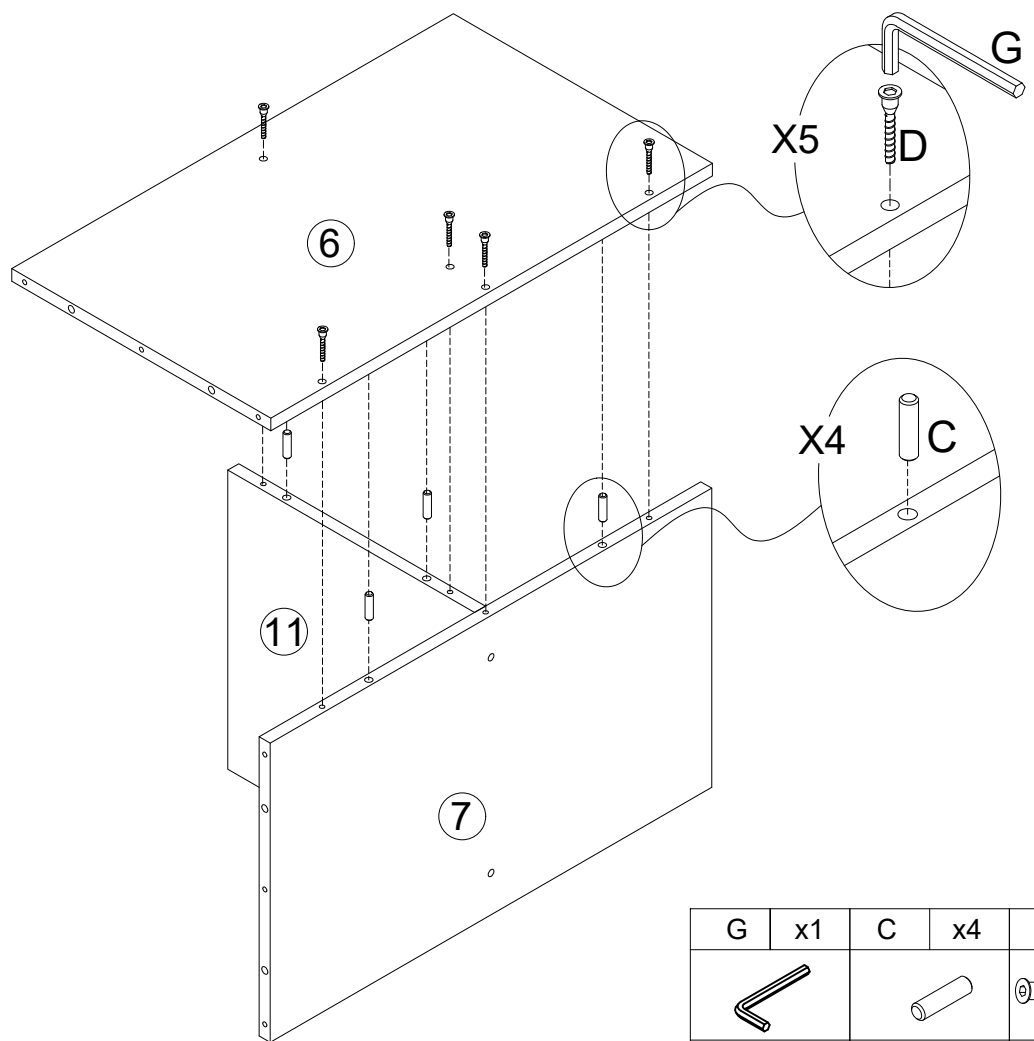


1



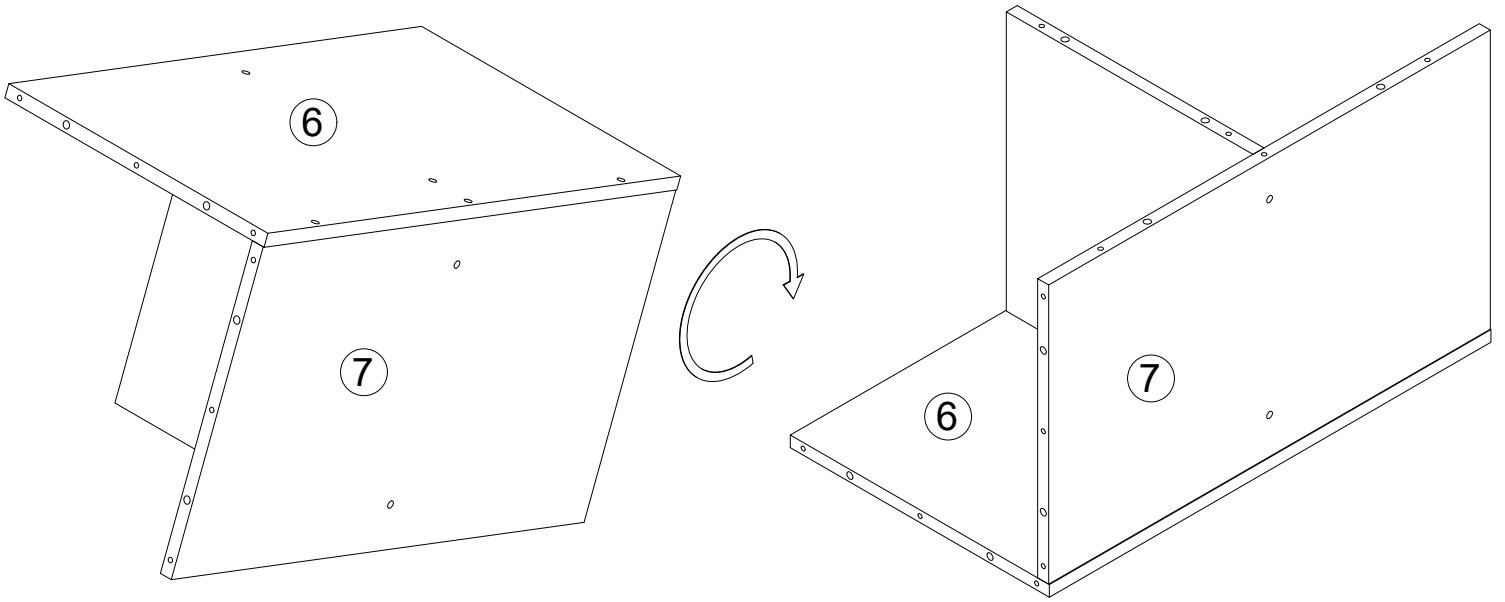
G	x1	C	x2	D	x2
M4		Ø8*30mm		M7*50mm	

2

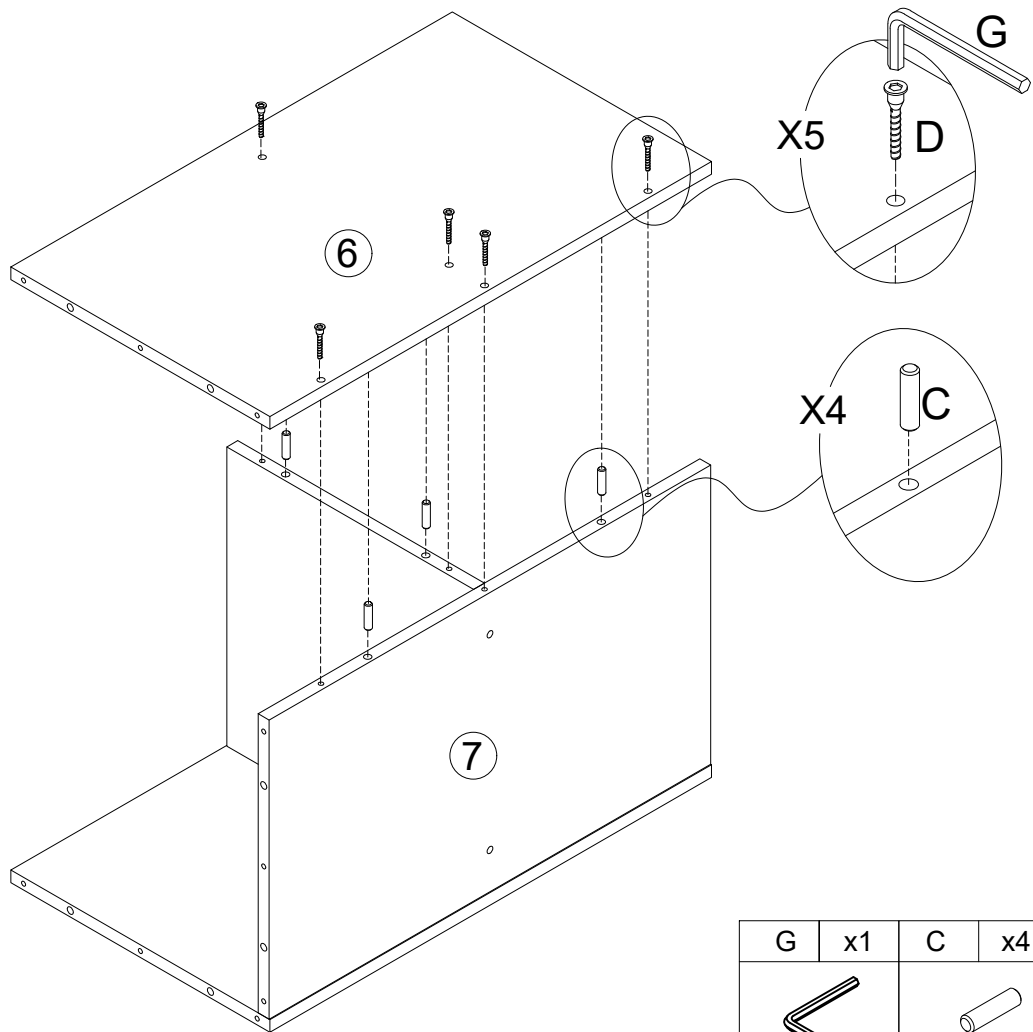





G	x1	C	x4	D	x5
M4		Ø8*30mm		M7*50mm	

3

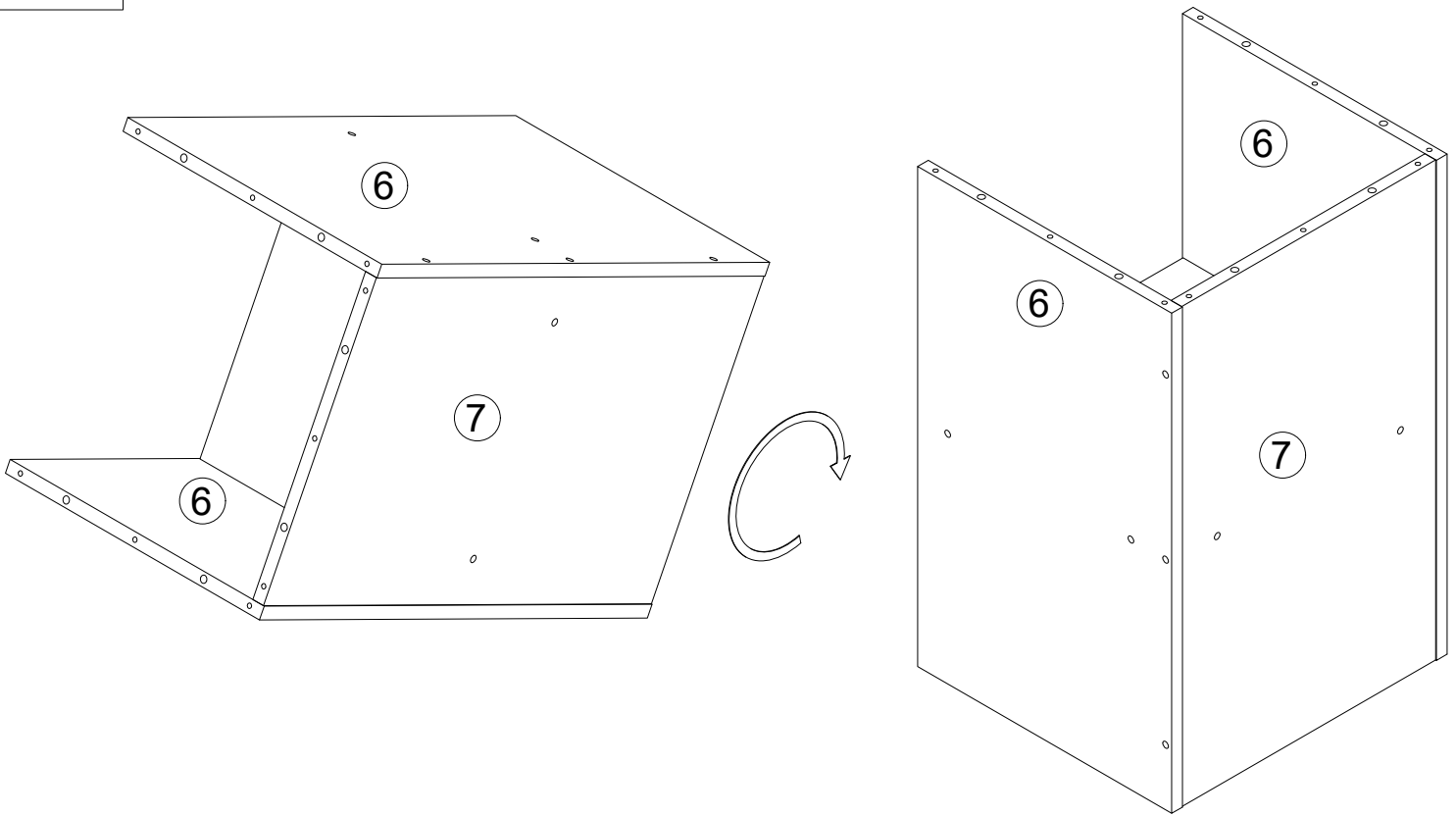


4

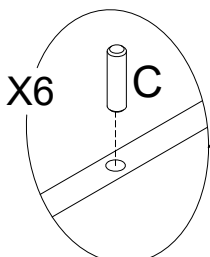
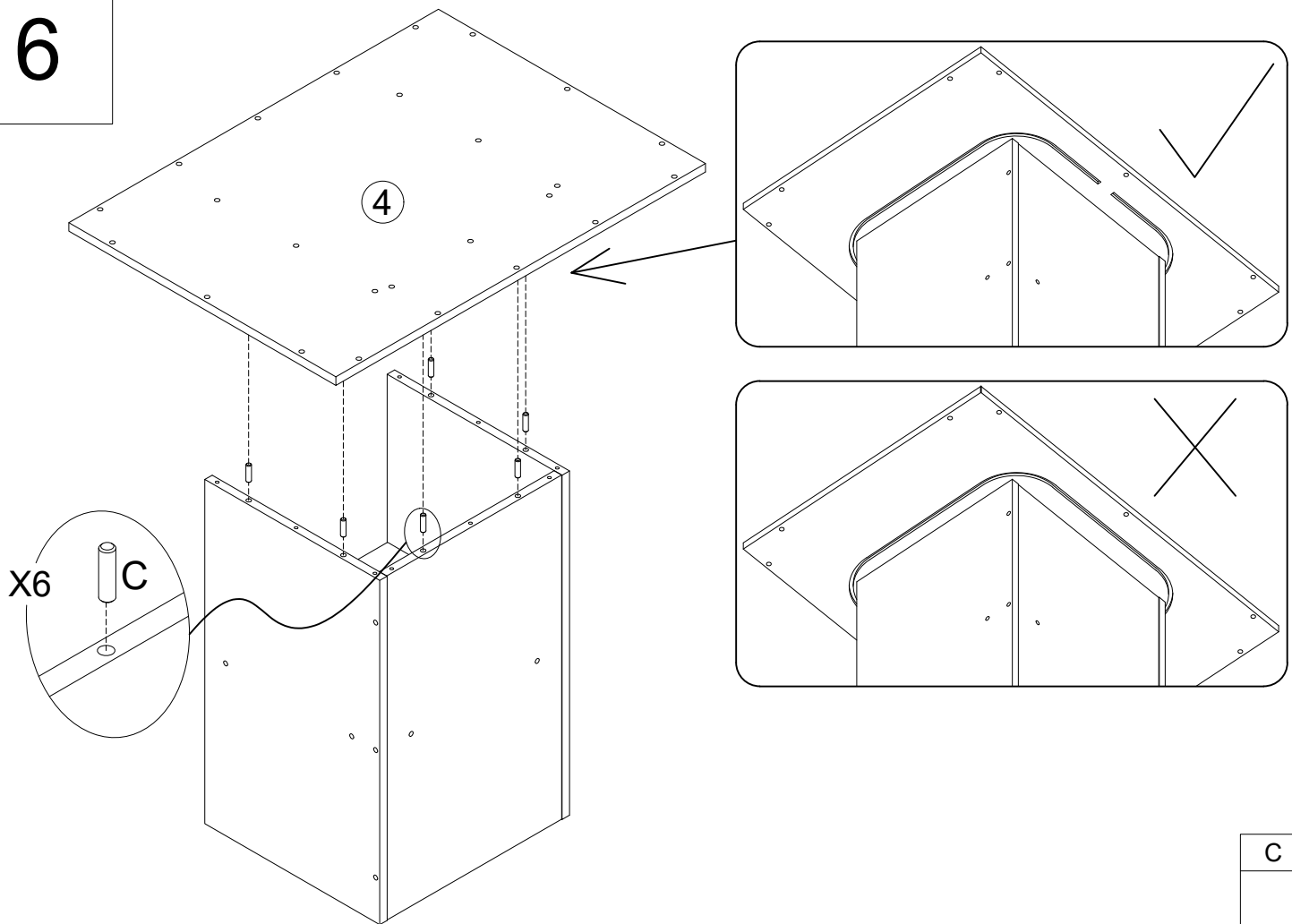


G	x1	C	x4	D	x5
					
M4		Ø8*30mm		M7*50mm	

5



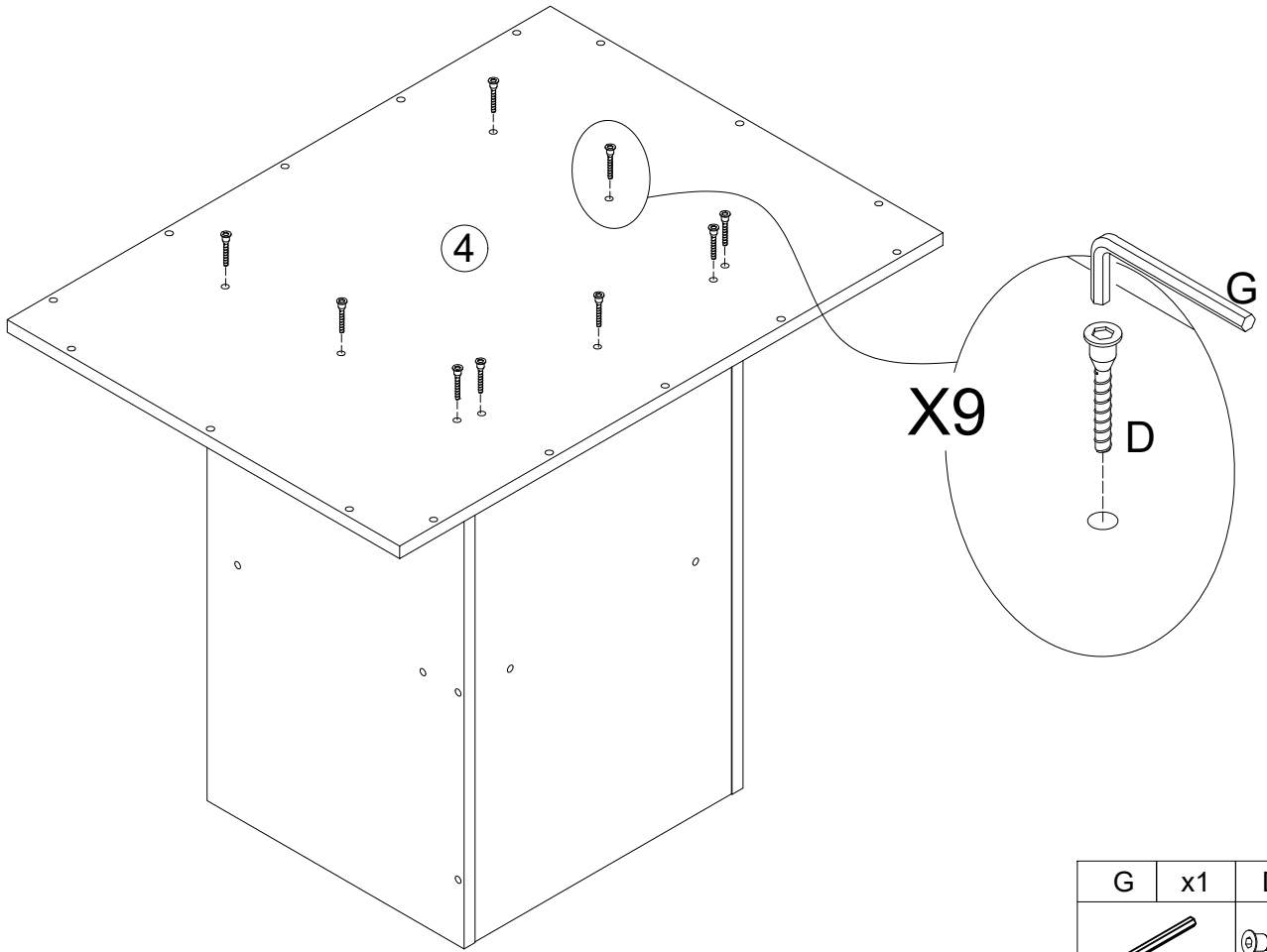
6





X6 C

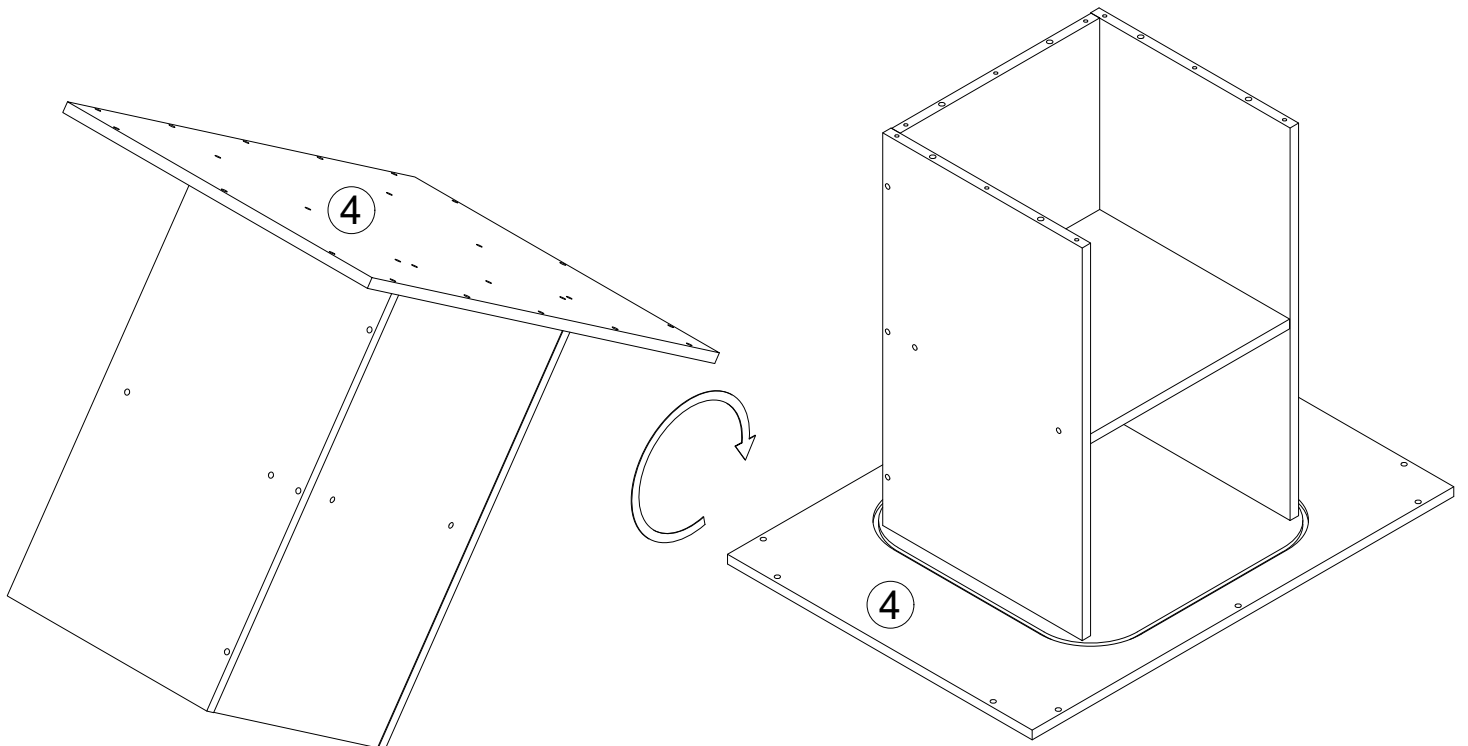
C	x6
Ø8*30mm	

7

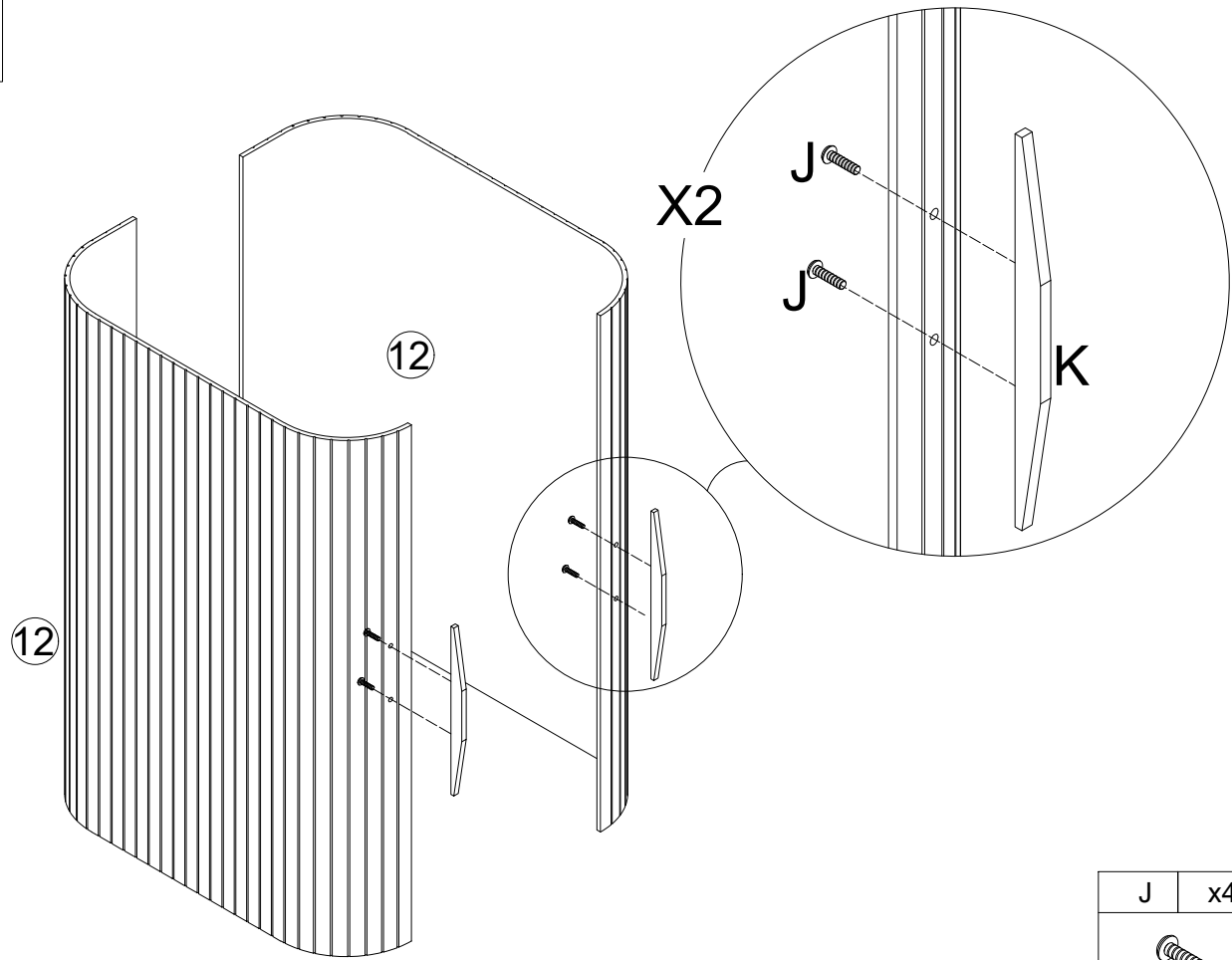




G	x1	D	x9
			
M4		M7*50mm	

8

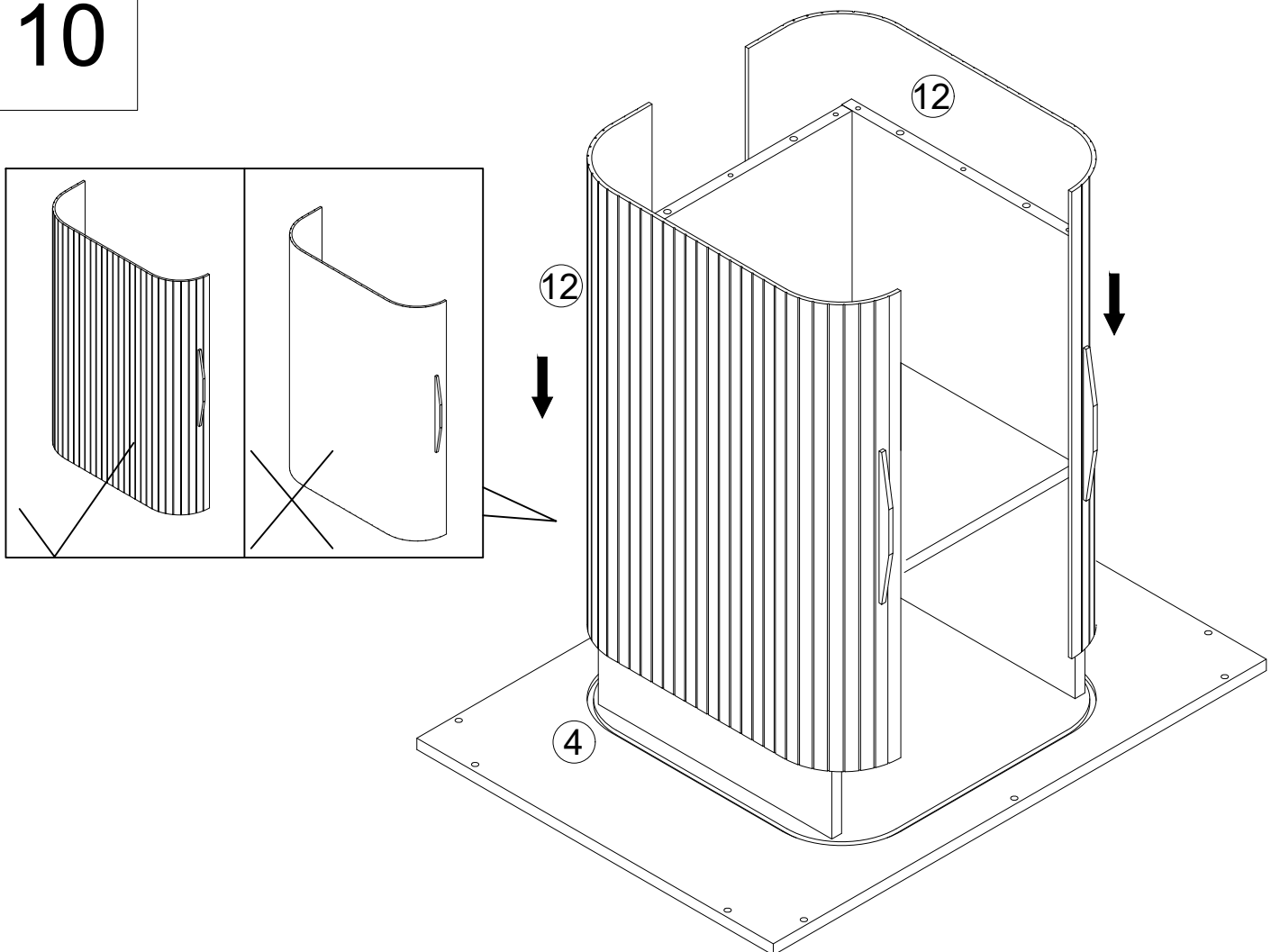


9

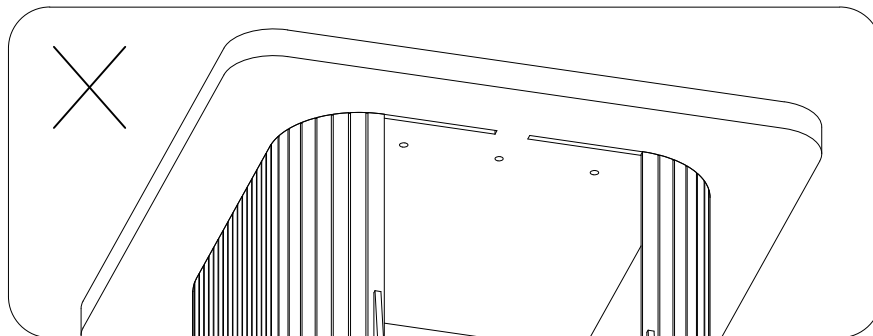
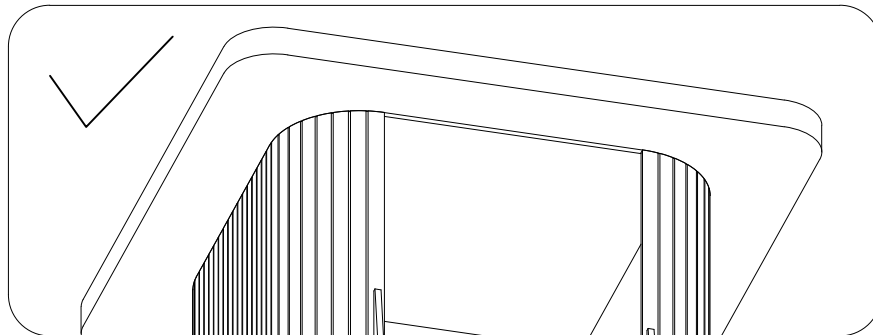
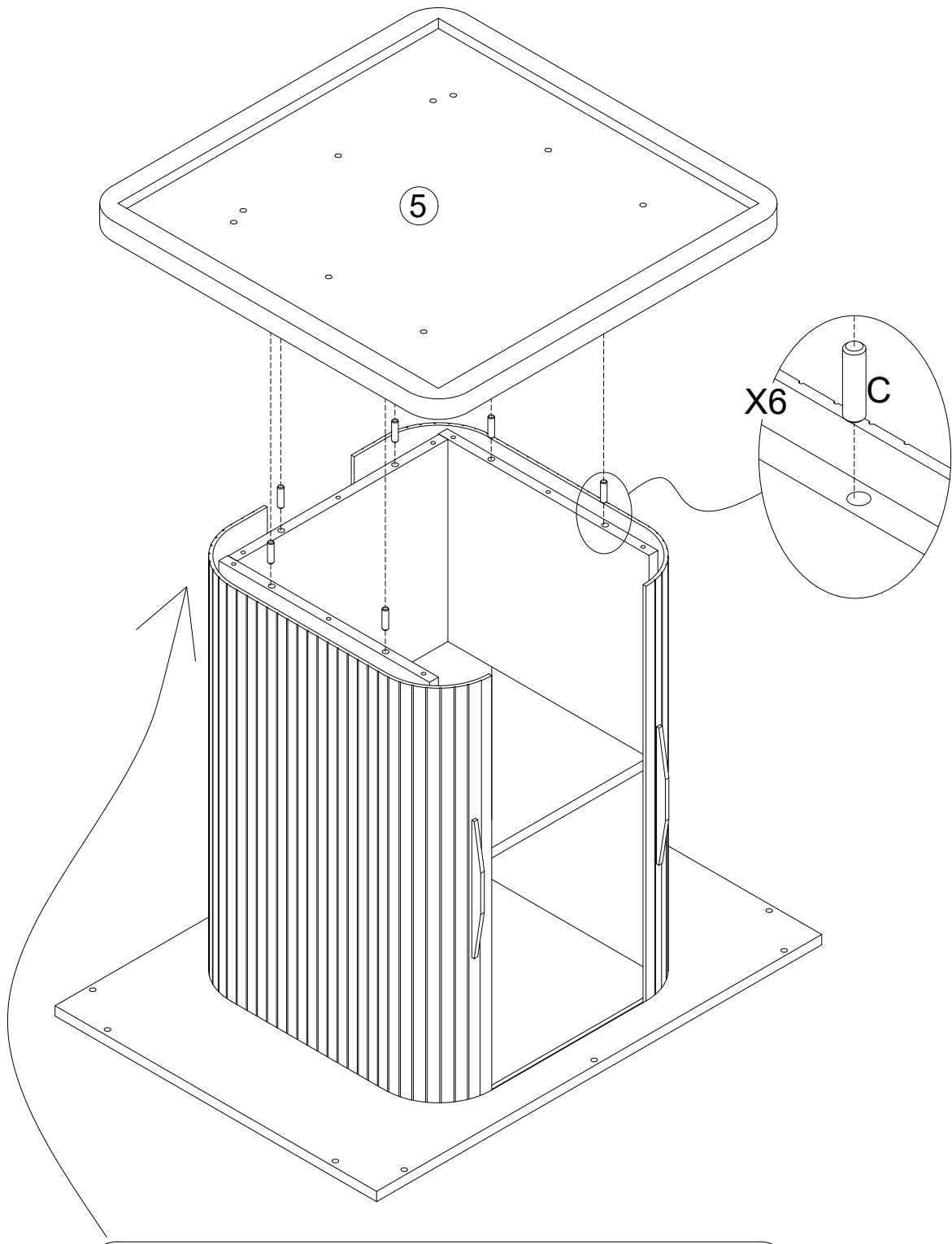


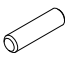
J	x4	K	x2
			
M4*16mm			

10

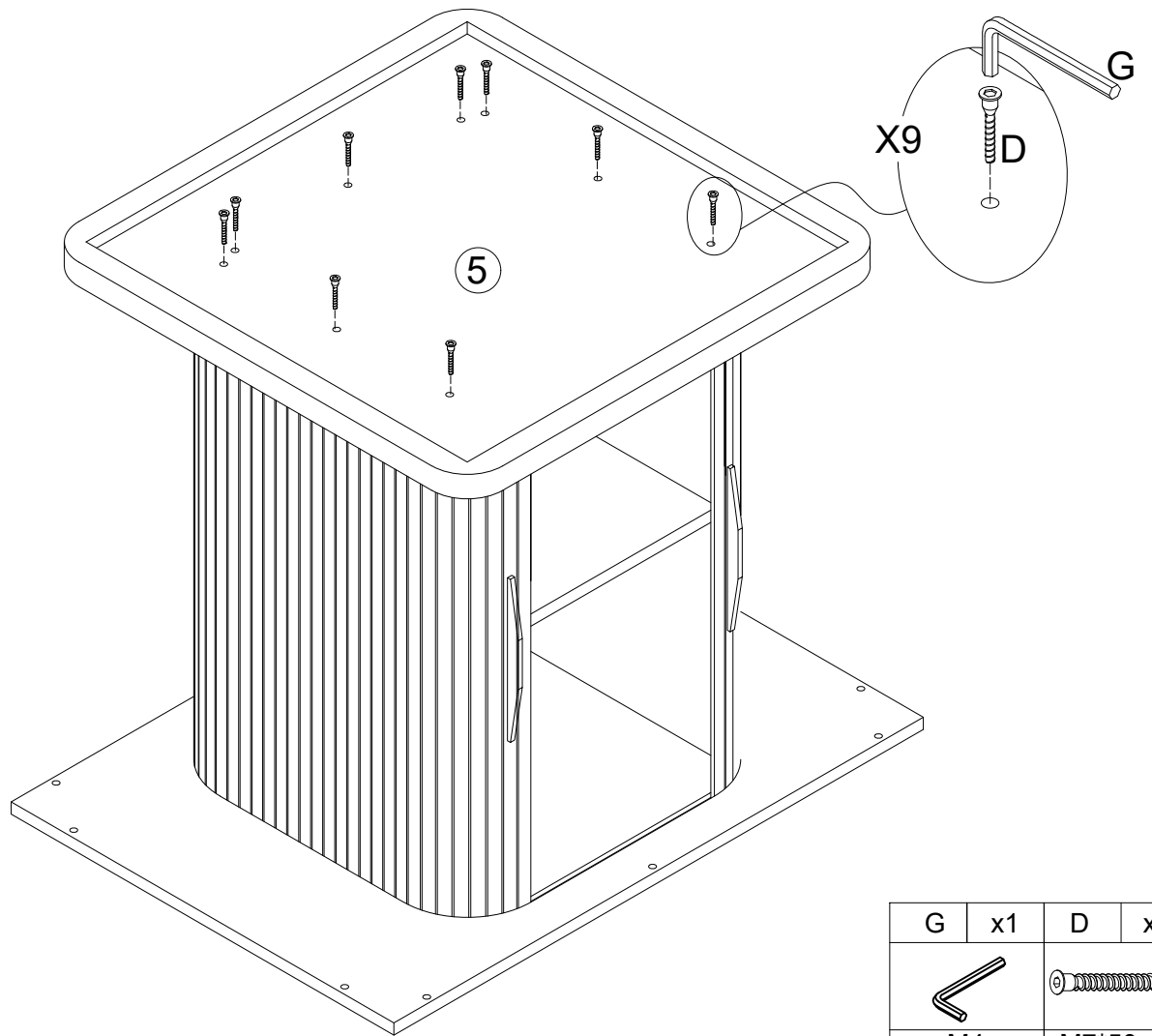




11



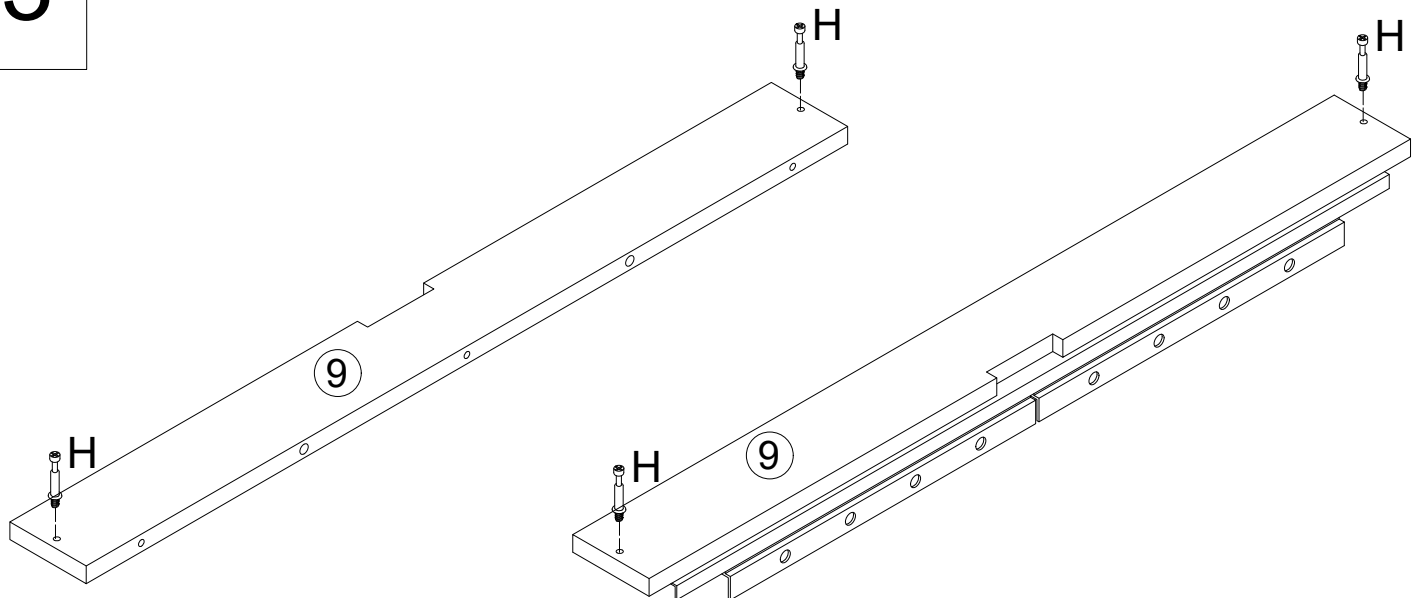
C	x6
	
Ø8*30mm	

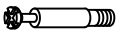
# 12



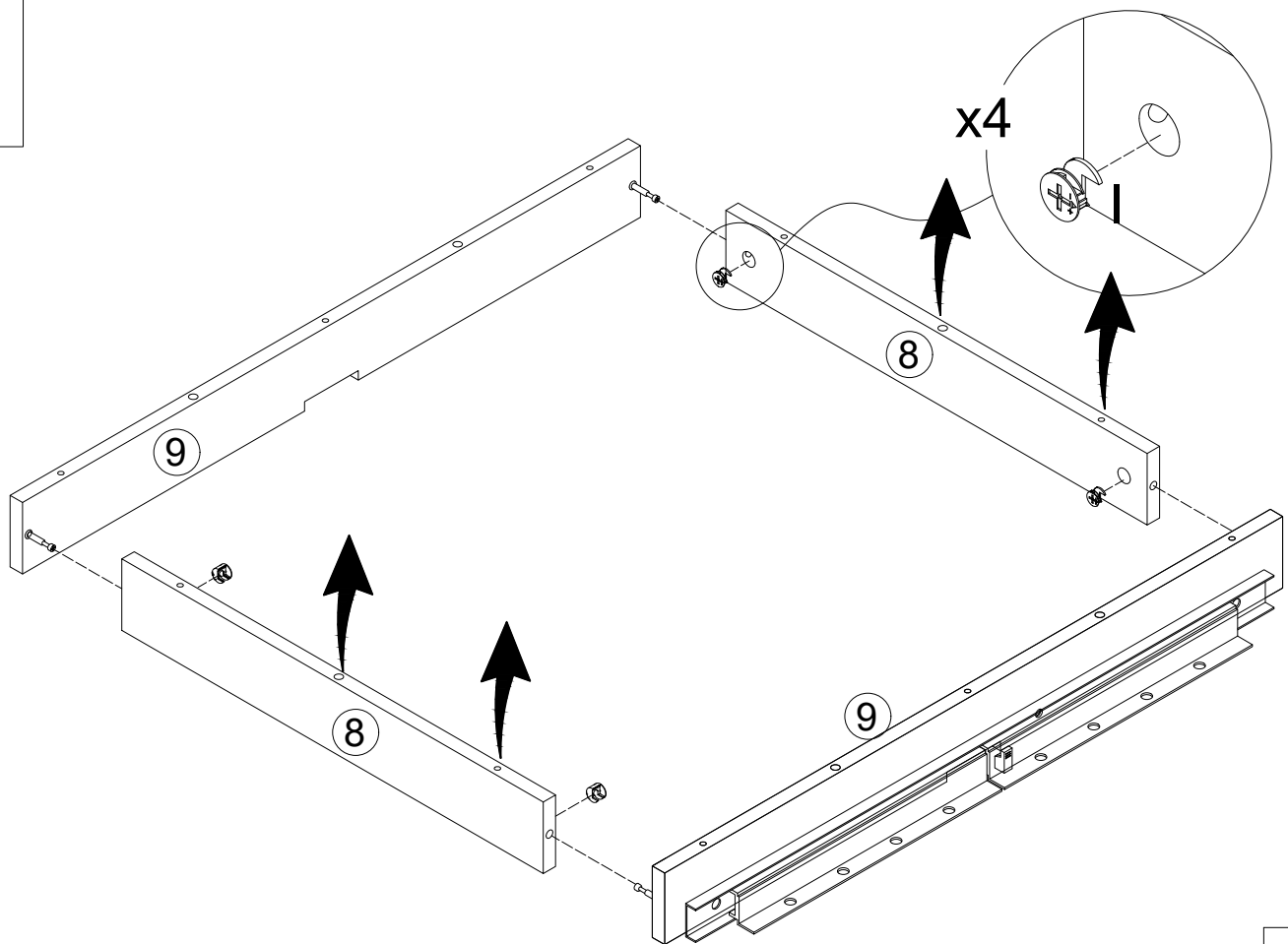
G	x1	D	x9
			
M4		M7*50mm	


# 13



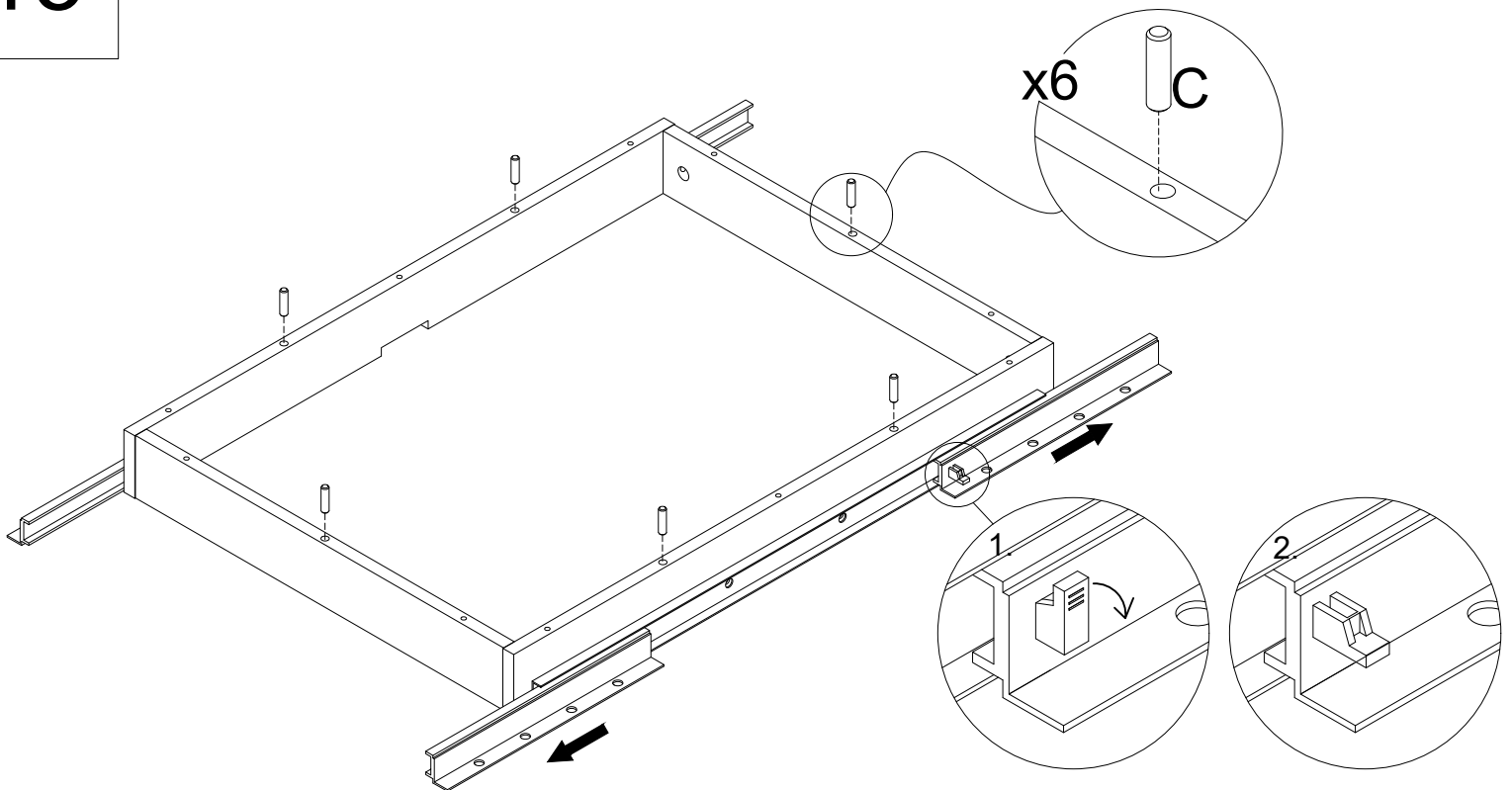
H	x4
	
M6*35mm	

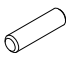
14



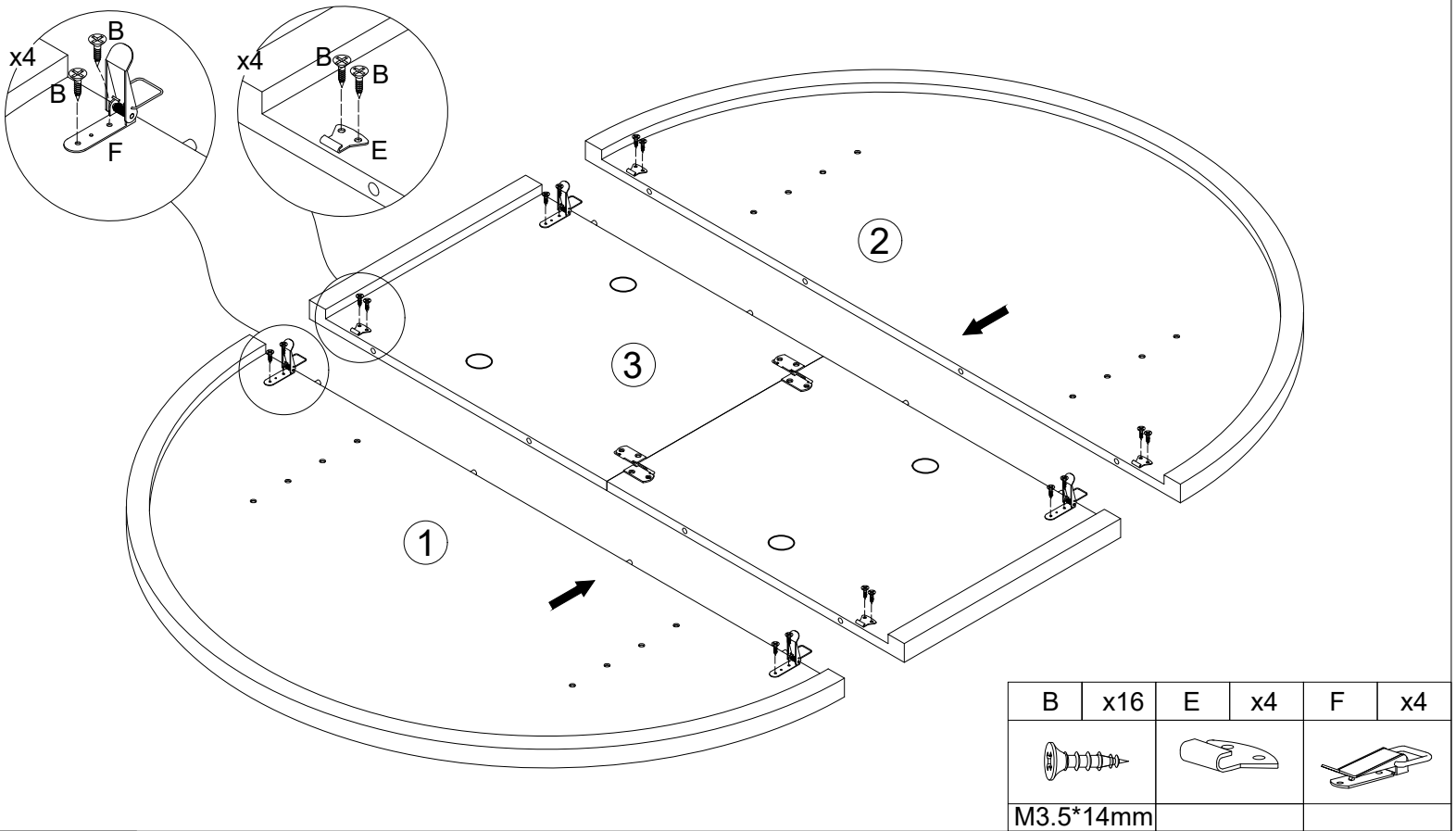
I	x4
	
Ø15mm	

15

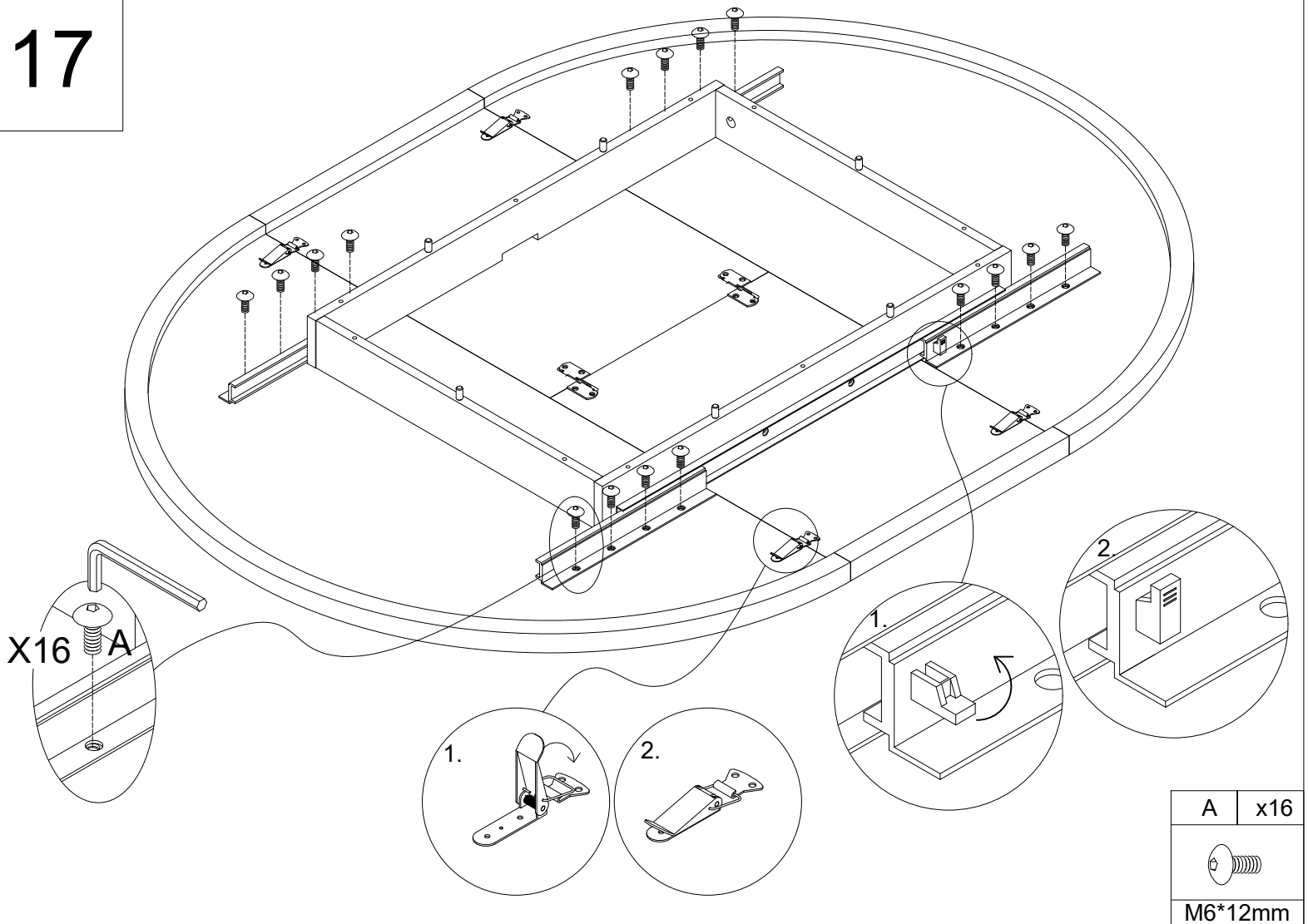


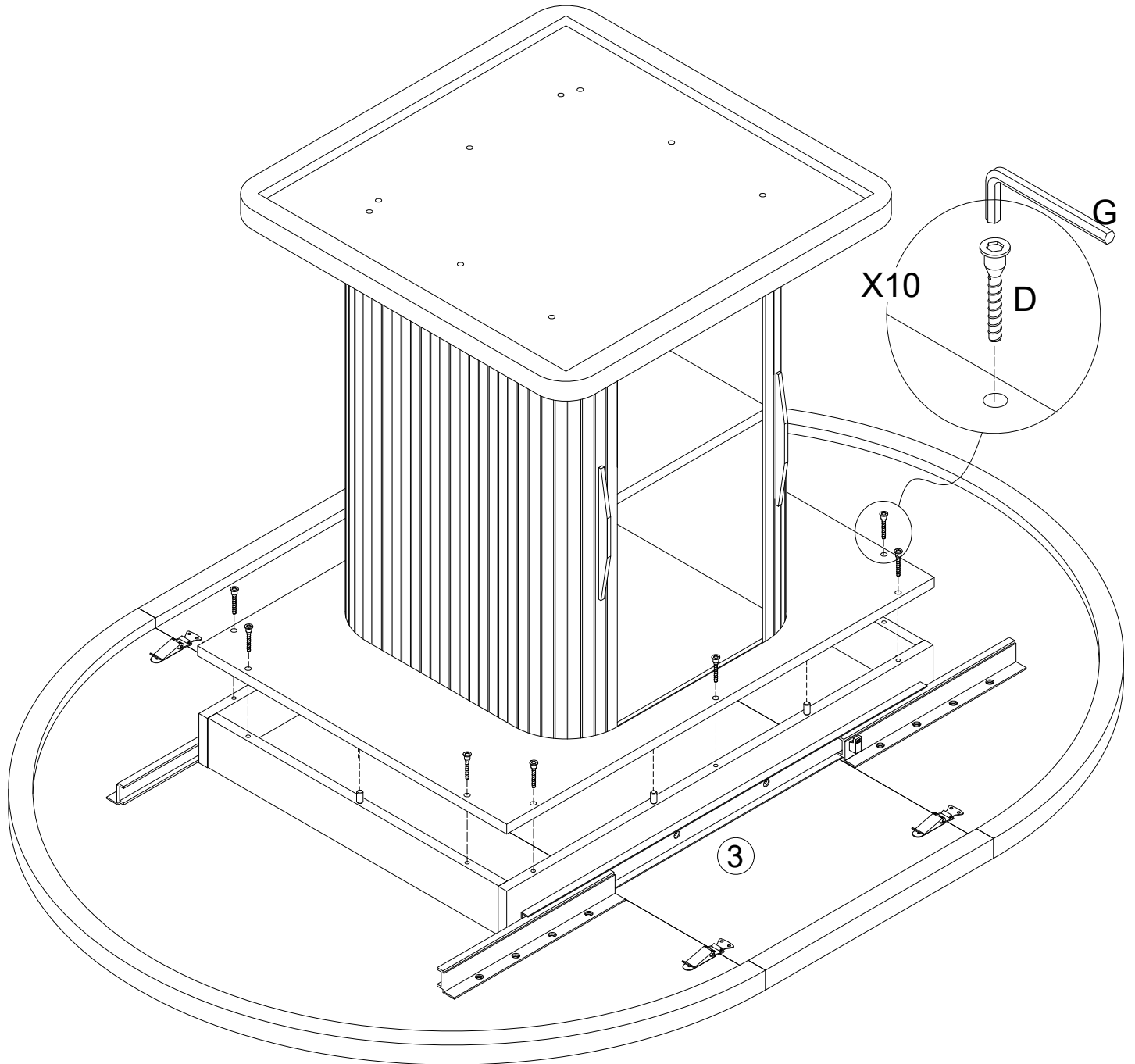
C	x6
	
Ø8*30mm	



# 16

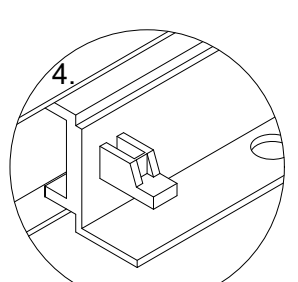
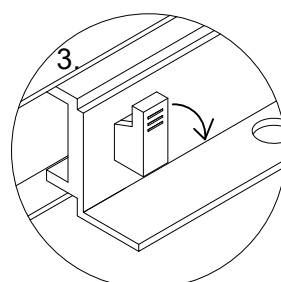
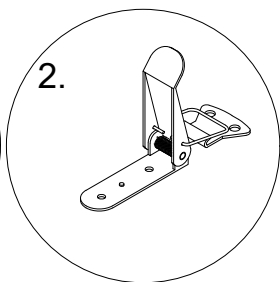
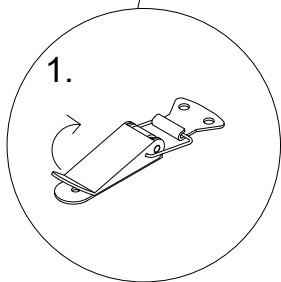
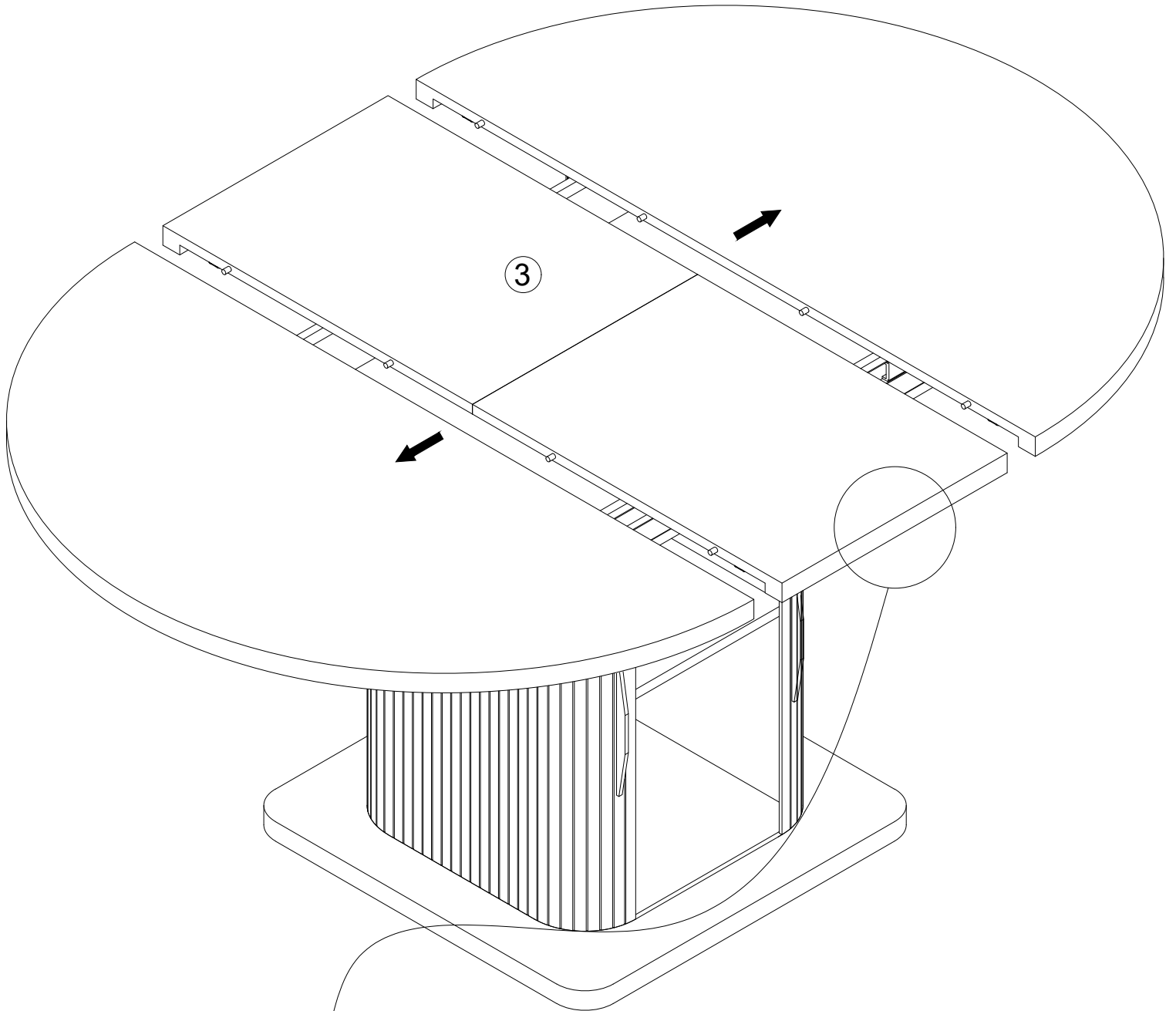


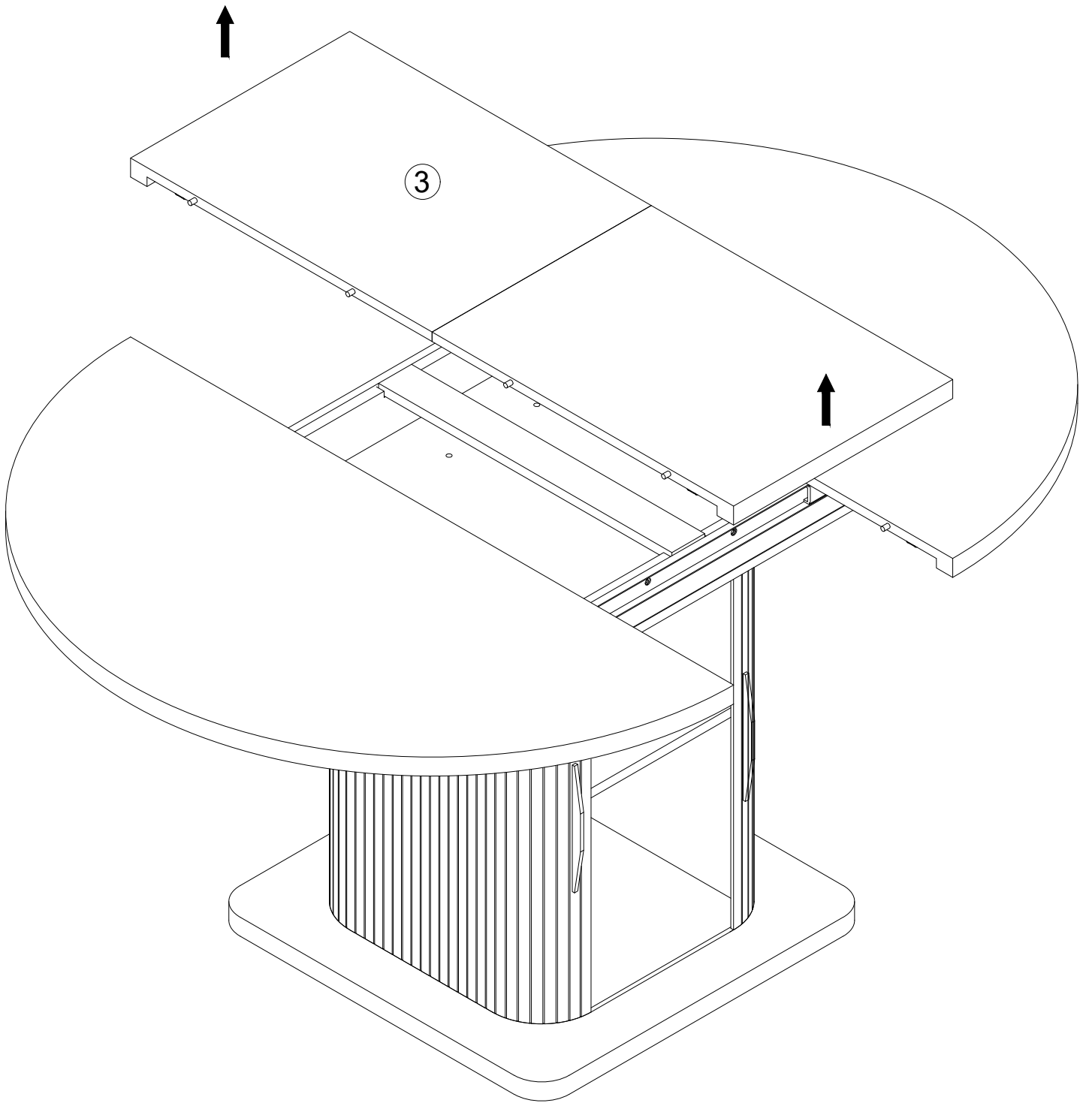
# 17



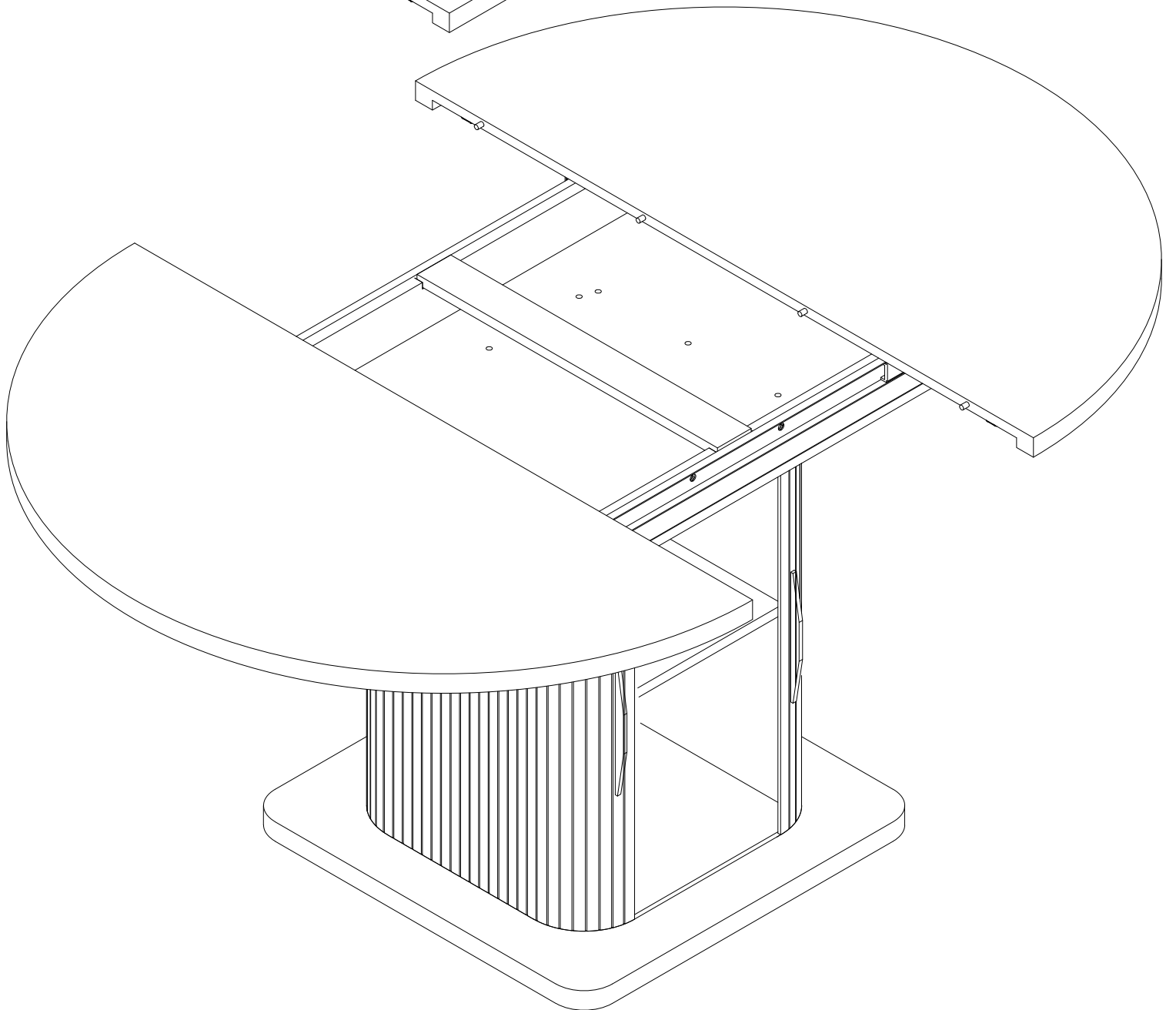
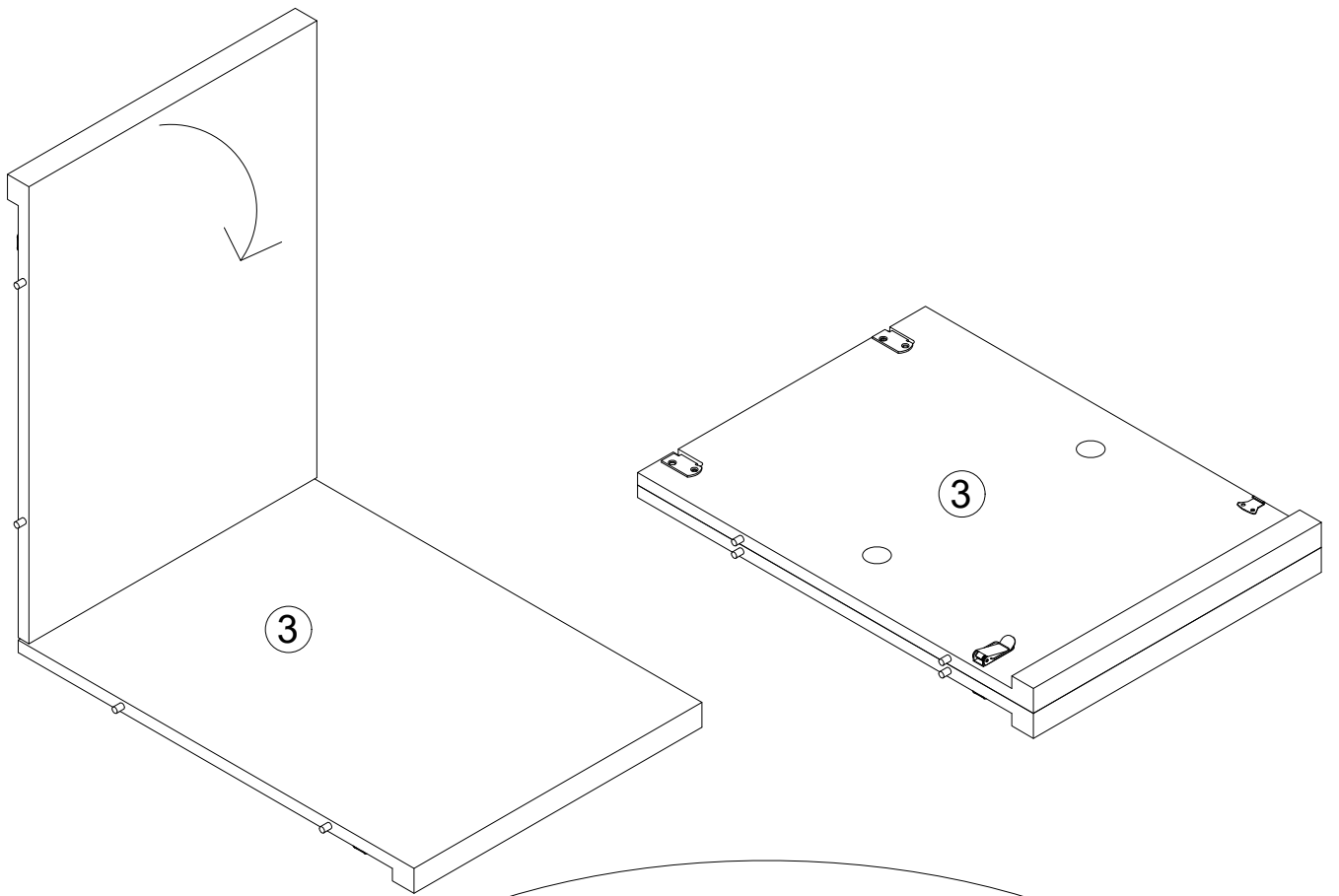


G	x1	D	x10
			
M4		M7*50mm	

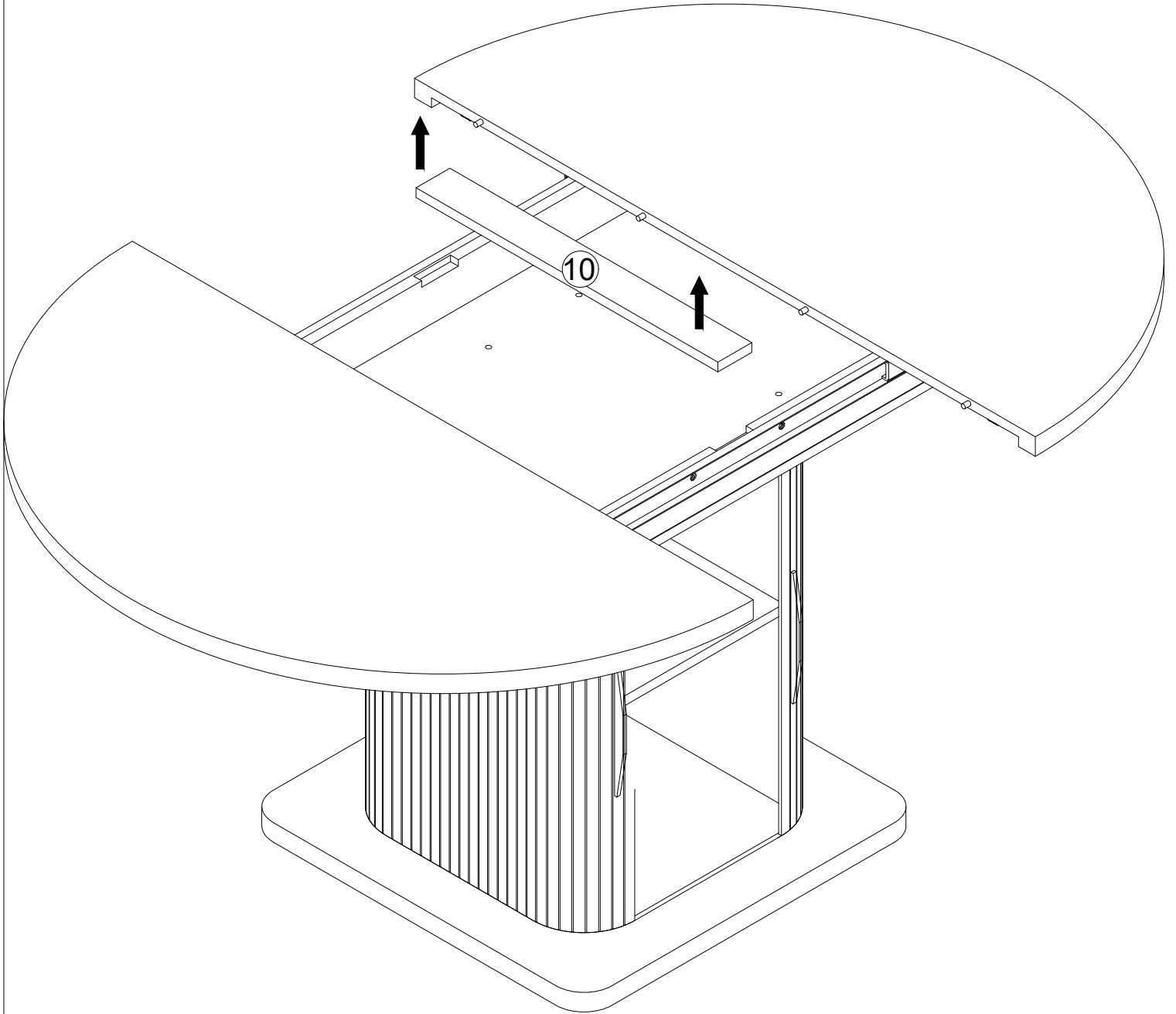




21



22



23

