


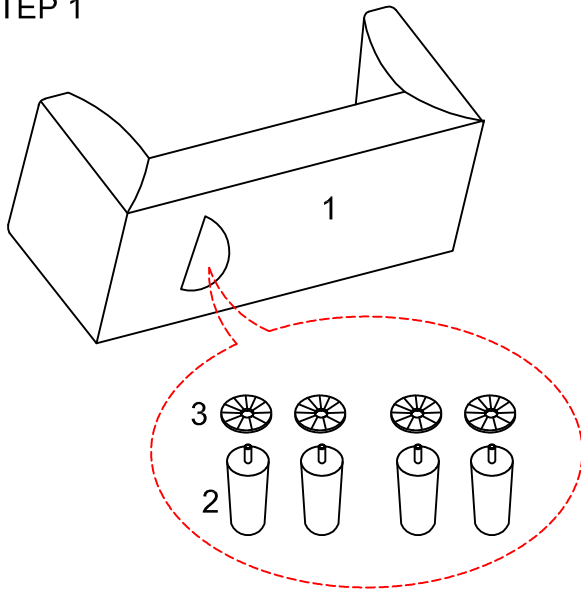


4005

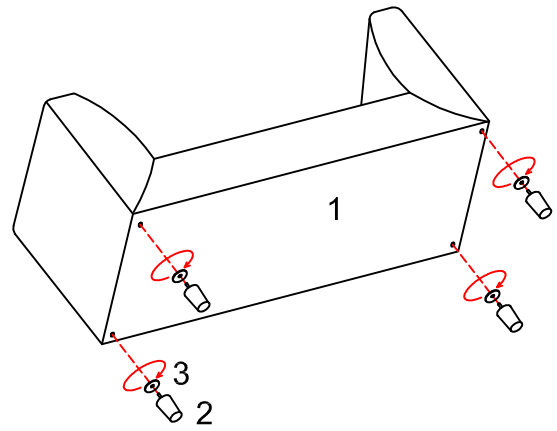
PART LIST

No	DESCRIPTION	QTY
1	 Seat Frame	1PC
2	 Leg	4PCS
3	 Leg Washer	4PCS

STEP 1



STEP 2



STEP 3

