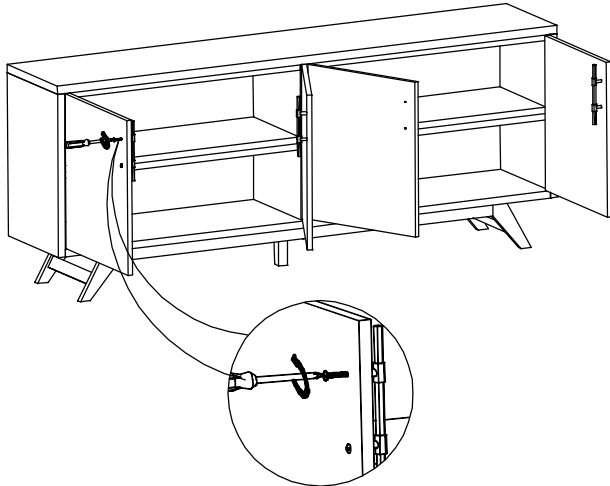


# ASSEMBLY INSTRUCTIONS HARDWARE

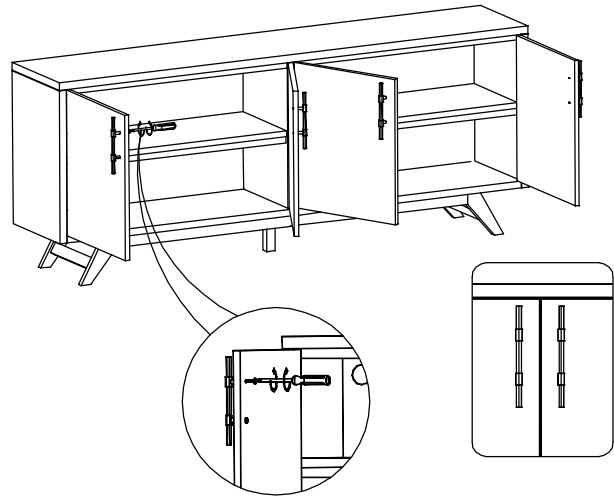
## HANDLE 1

### STEP - 1



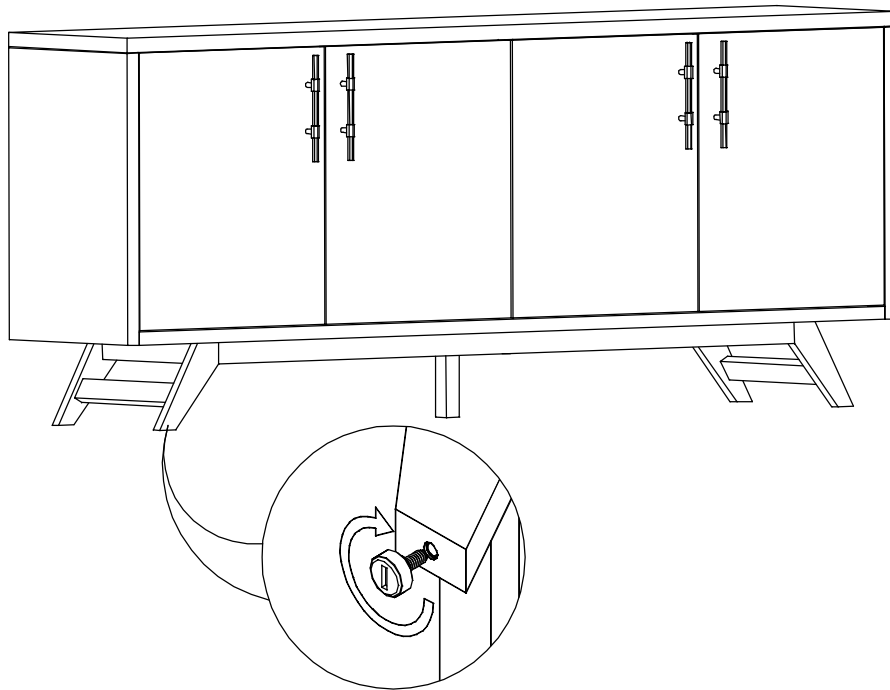
Open the door before the handle is released, by pulling the tape on the door  
Remove the screw holding the handle with a screwdriver

### STEP - 2



Install the handle on the outside of the door, then tie it with a screw and tighten it with a screwdriver

### COMPLETED

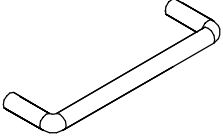
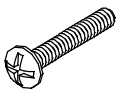


**MADE IN INDONESIA**

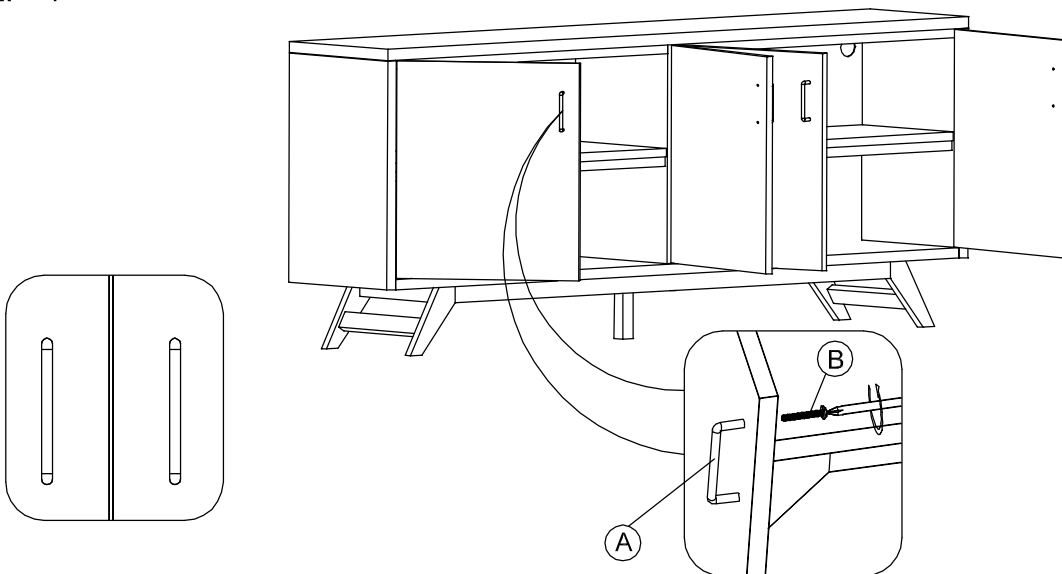
# ASSEMBLY INSTRUCTIONS HARDWARE

## PARTS

HANDLE 2

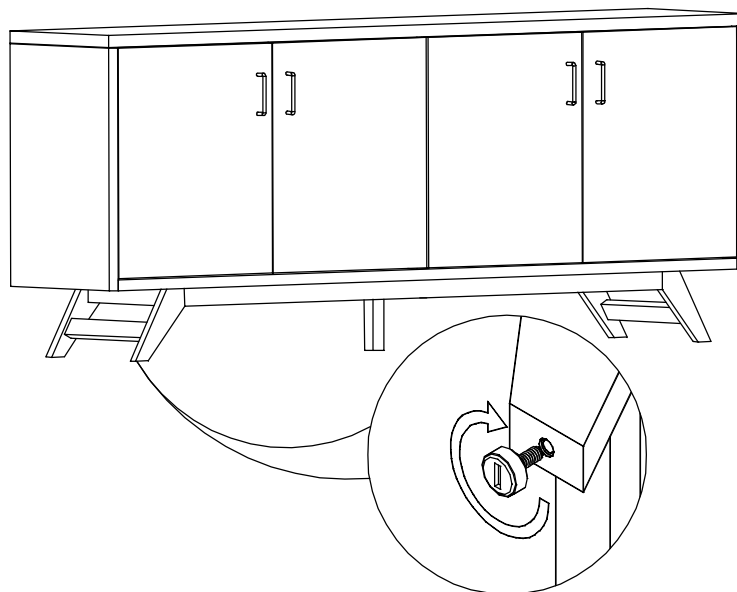
S. NO	DESCRIPTION	QNT
A	 HANDLE	04
B	 SCREW	08

### STEP - 1








Install the handle on the outside of the door, then tie it with a screw and tighten it with a screwdriver ascrewdriver

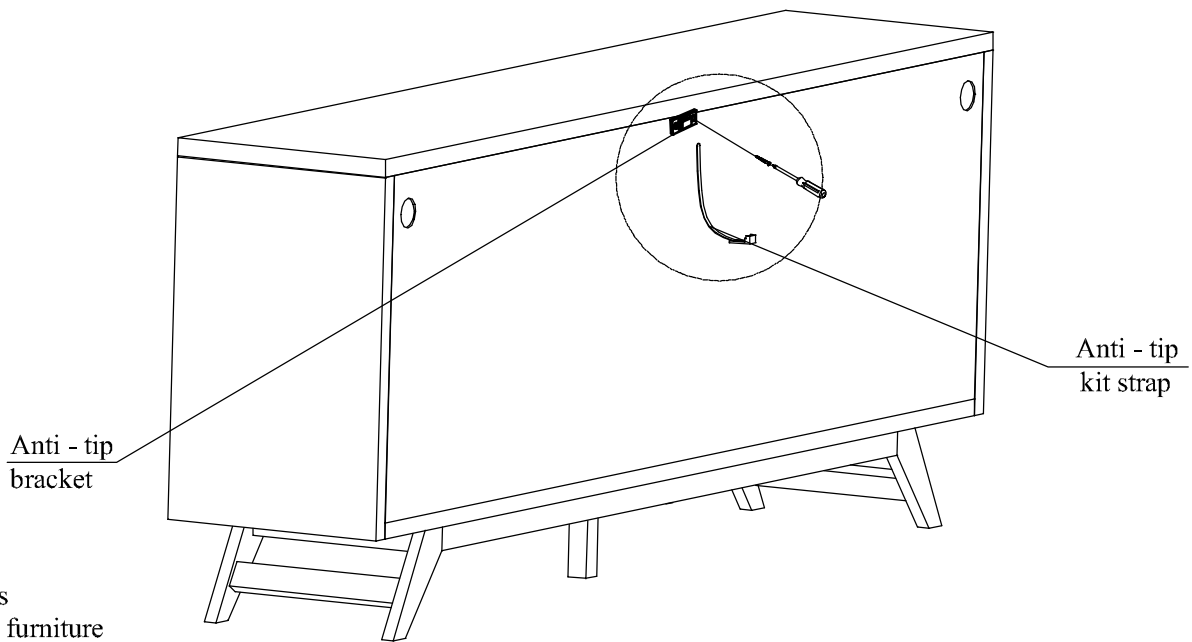
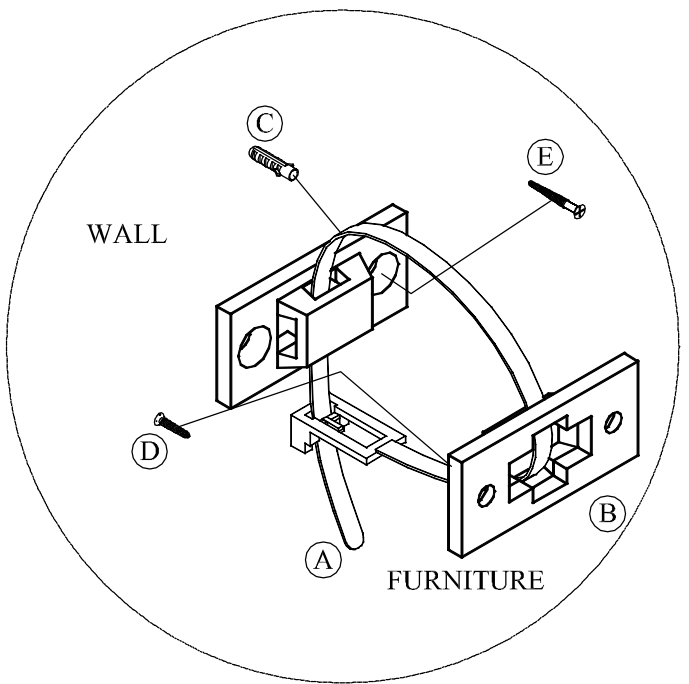
### COMPLETED



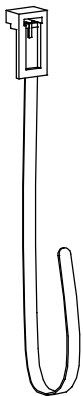
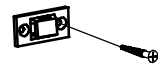
MADE IN INDONESIA

# ANTI - TIP KIT INSTALATION INTRUCTIONS DOOR CABINET

- A : 1X 
- B : 2X 
- C : 2X  S5
- D : 2X 
- E : 2X 



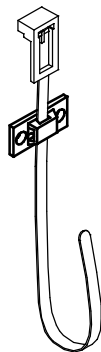
Attach this bracket to furniture



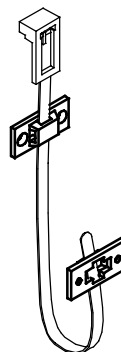
i



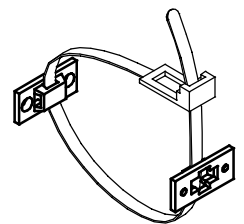
Attach this bracket to wall



ii



iii



iv