

## AFTERSALE SERVICE

Dear customer,

Thank you so much for purchasing the product from us, we really appreciate your support.

We are aimed to provide the best shopping experience to our customers. We also want to build a mutually beneficial relationship with our customers, and step further to make our brand both reliable, responsible and recommendable.

We hope that our products could meet your needs and expectations, please consider us again if you need more products for your home and kitchen.

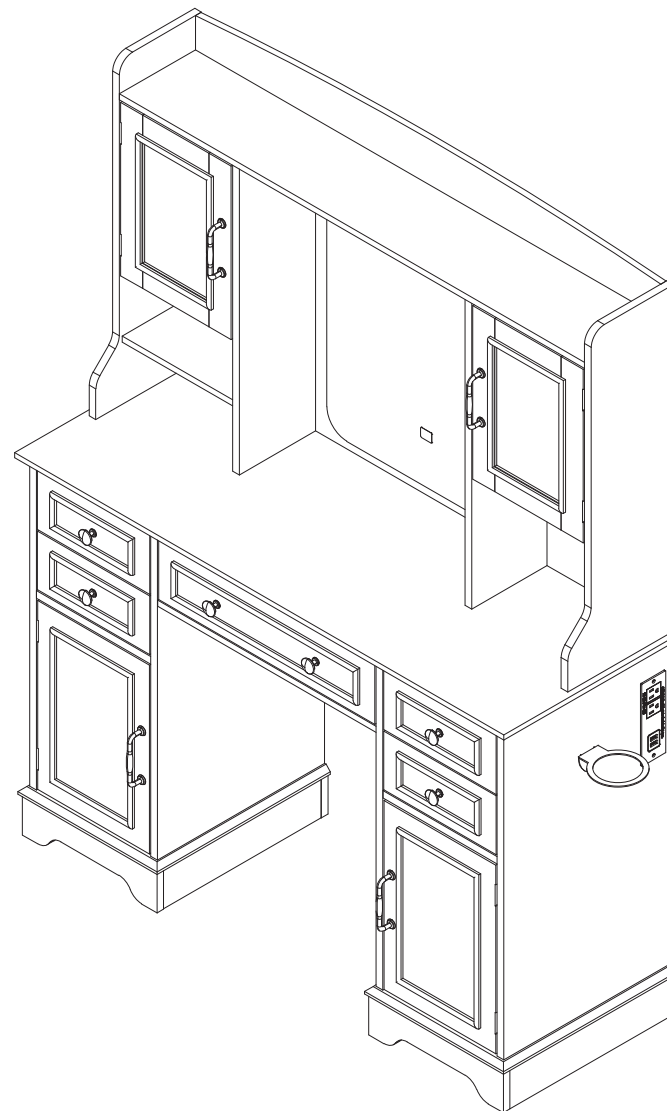
The package would be out of our control during shipping, please contact us through your purchasing channel directly if there is anything wrong with the box or contents. We are always here offering you our service.

We will reply your messages within 24 hours, please kindly wait for the response from our professional service team.

Your comfort and contentment are of utmost importance.

Best Regards,  
Customer Care Specialist

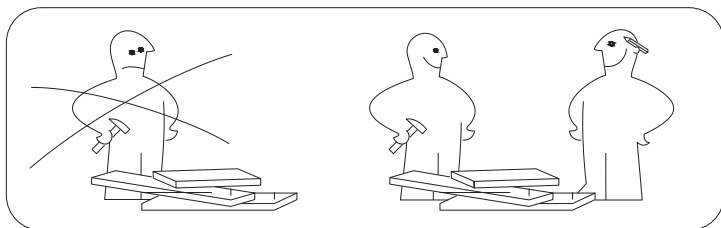
# ASSEMBLY INSTRUCTION



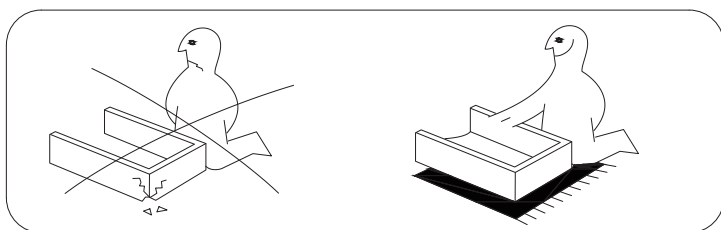


## WARNING

Need Two Or More People To Complete



Assemble Item On a Clean Flat Surface



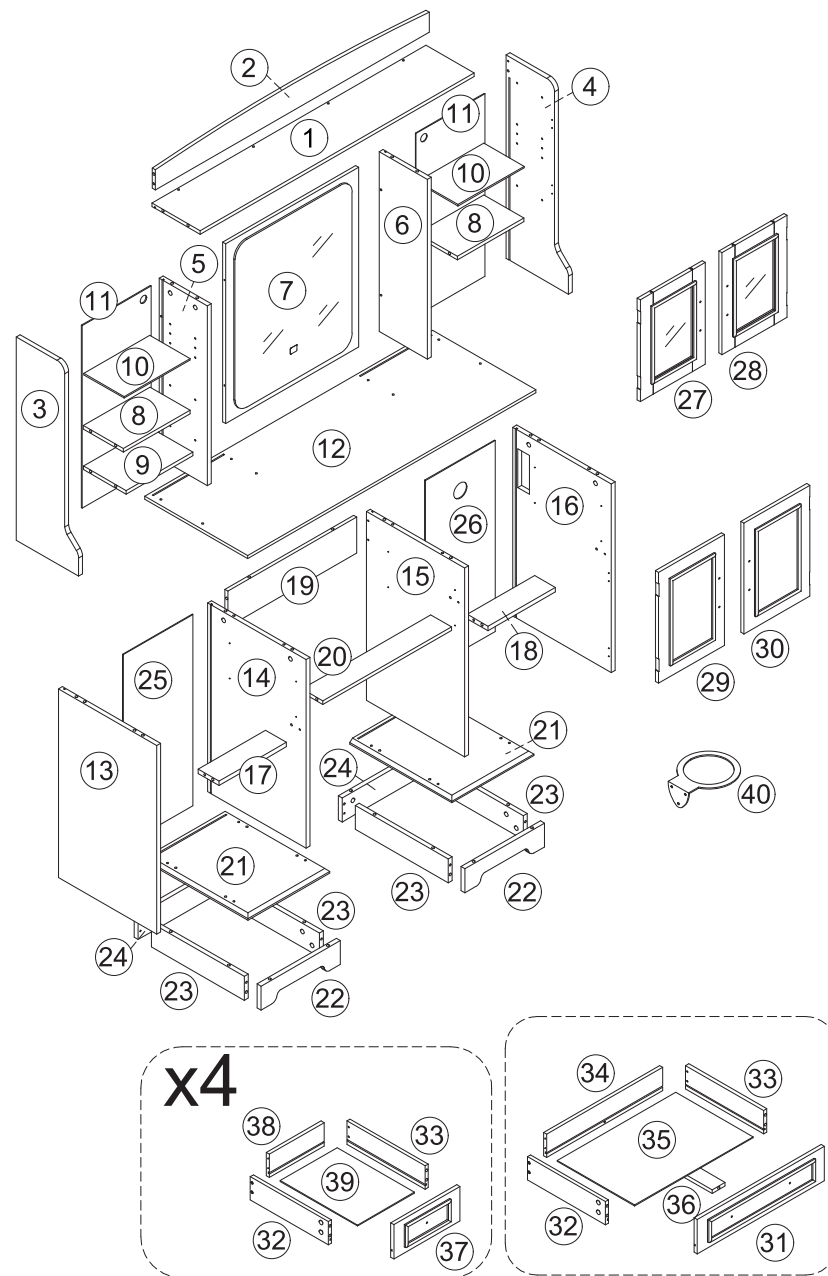
Serious or fatal crushing injuries can occur from furniture tip-over.

ALWAYS secure this furniture to the wall using tip-over restraints.

To further reduce the risk of serious injury and death from tip-overs:

- Install Anti-tip device.
- Place heavier items in the lower drawer.
- Never let children climb or hang on drawers or shelves.
- Do NOT set heavy objects on top of this product.

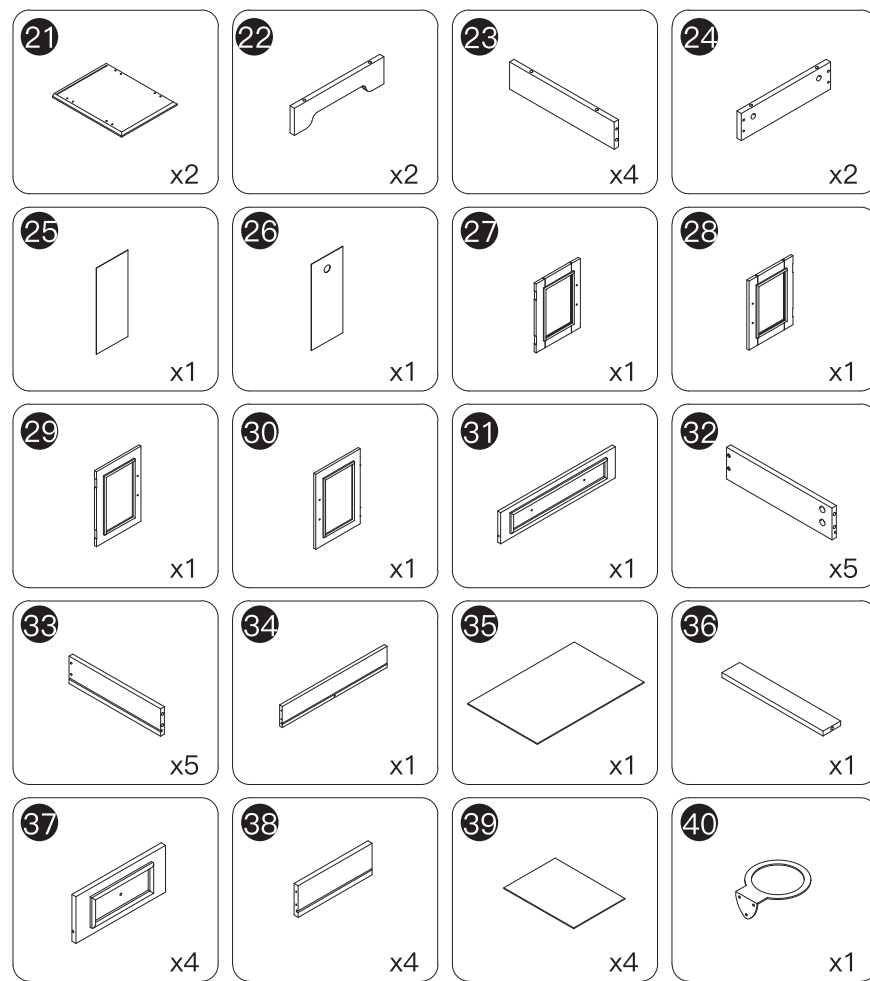
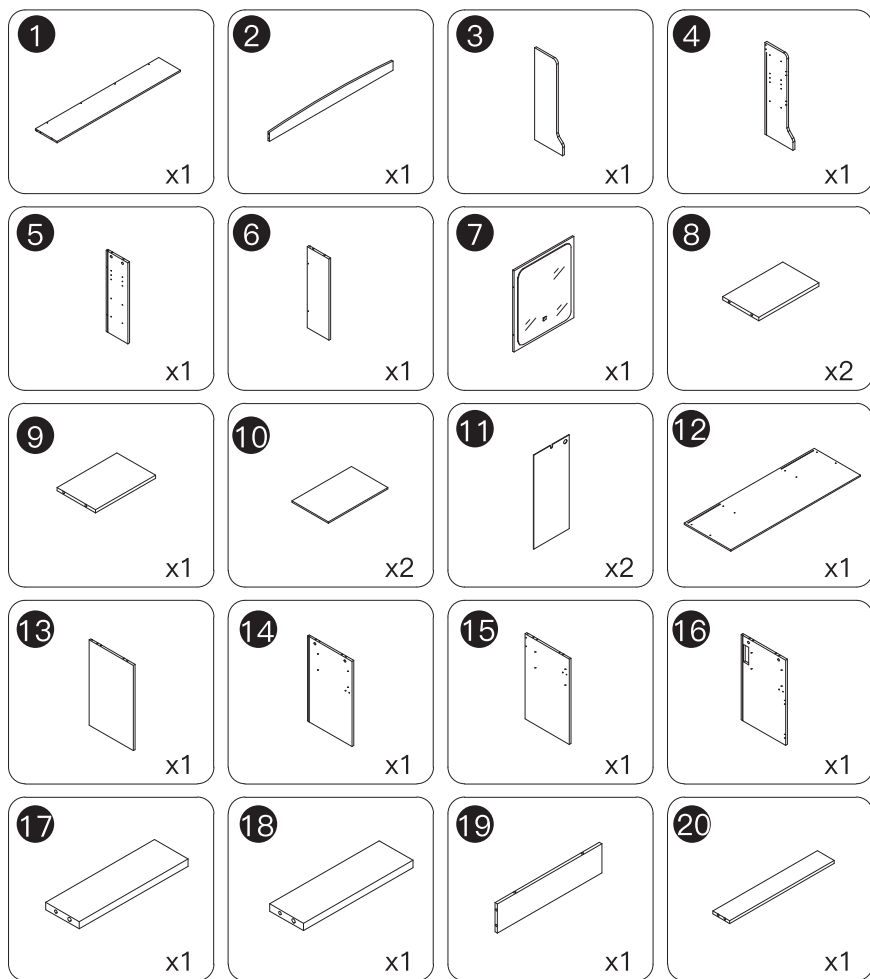
## EXPLODED DRAWING:

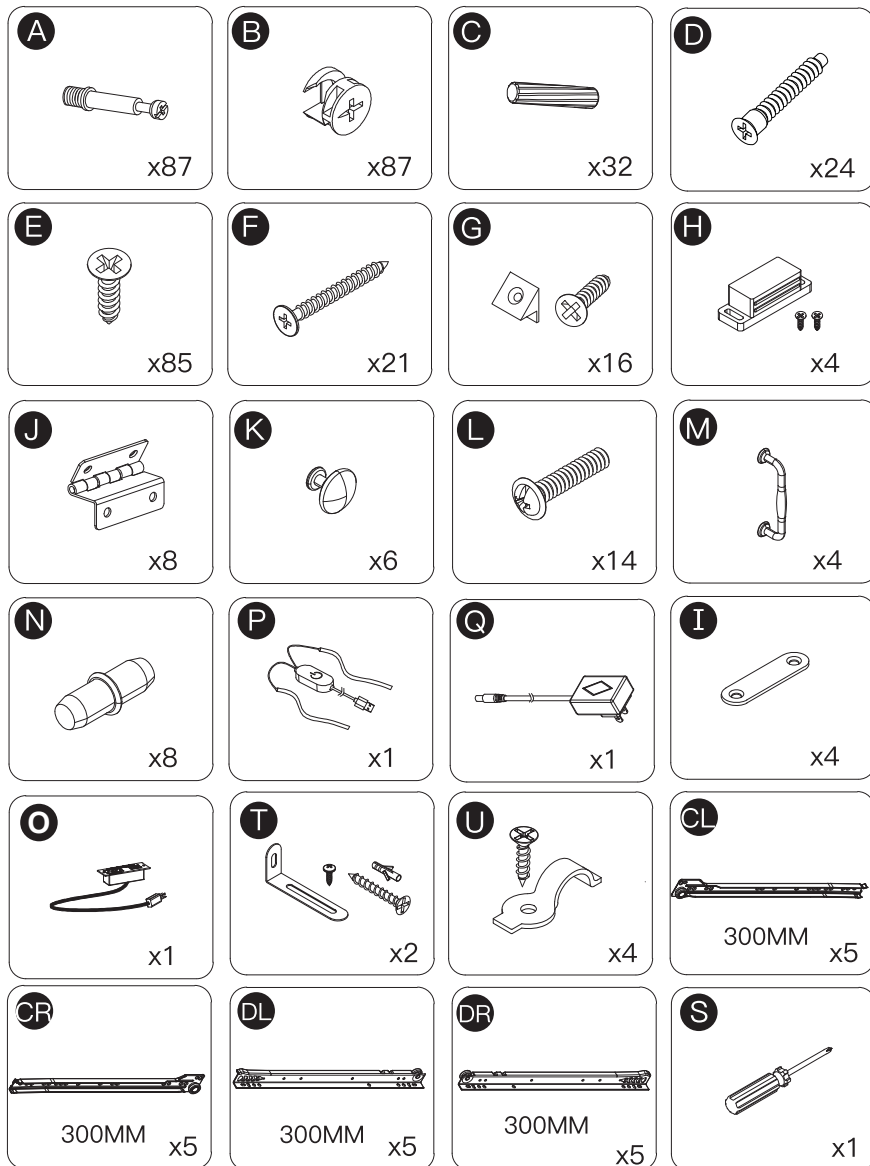


Please check all parts and accessories according to the parts list before assembling, make sure all contents are sufficient and in good condition.

If there is any parts missing or defective, please contact us immediately with purchase platform message to get replacement parts.

## PARTS:



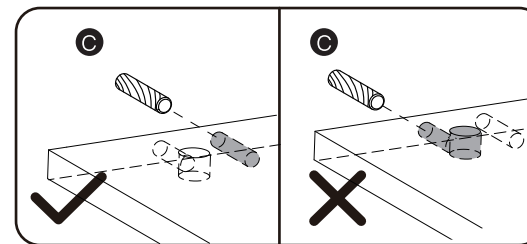


## HOW TO INSTALL

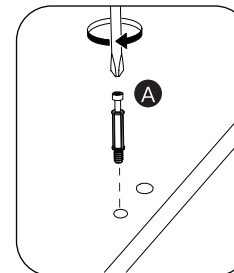
### NOTICE:

1. Use electric drill for easier installation experience.
2. Please drive the screws in pre-drilled holes.
3. Please strictly follow the instruction and diagram in every step.
4. Make sure every part is on the right position, otherwise it may cause unnecessary problem.
5. Select the proper component via the label on every part while assembling.

### REMARK:

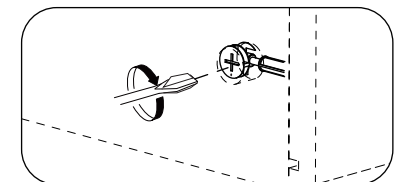
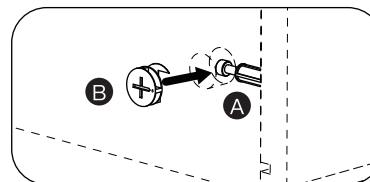


Avoid inserting part **C** into wrong holes.

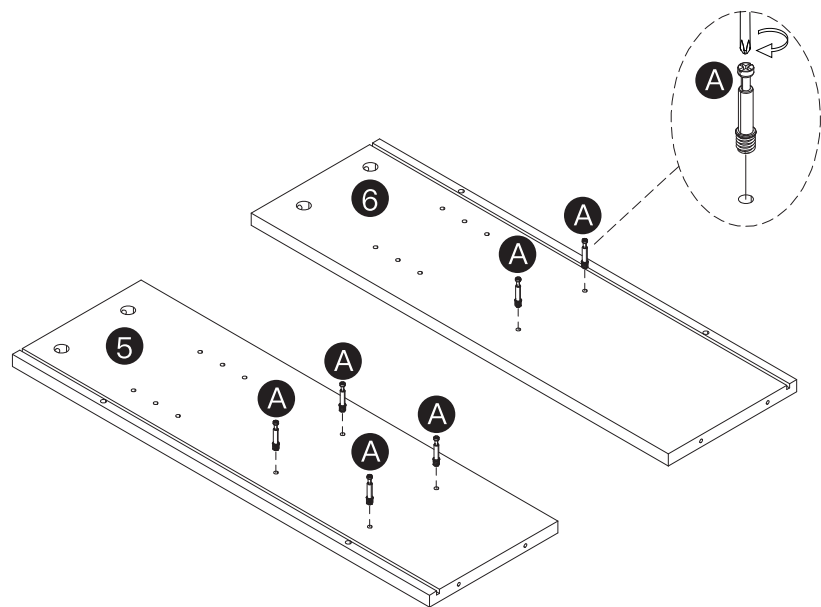
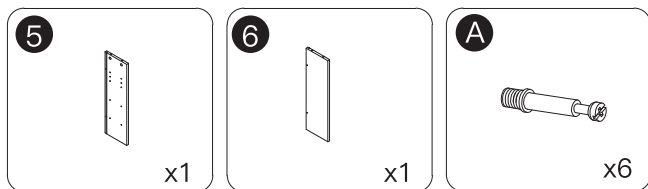


Part **A** must be installed into the holes with rubber nuts which are smaller than others.

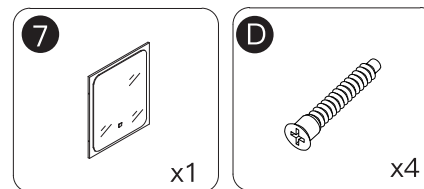
When locking part **B**, please make sure part **A** is fully inserted.



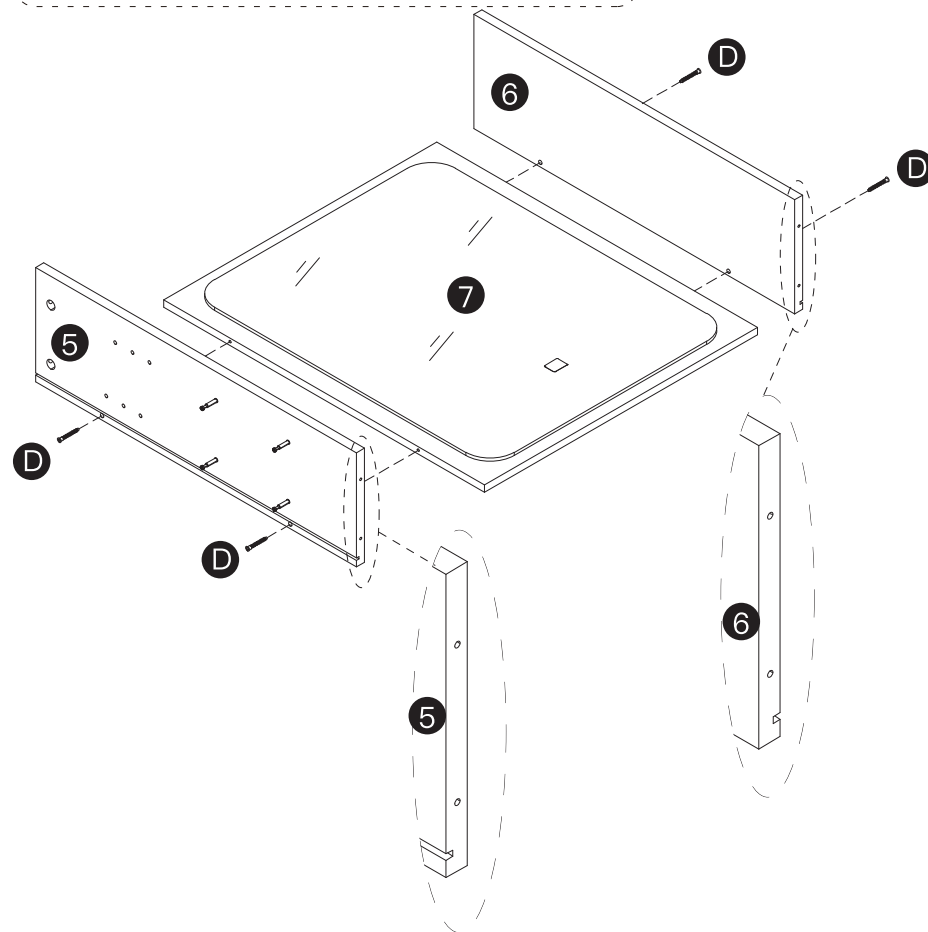
**Step 1** Install part **A** on part **5** & **6**.



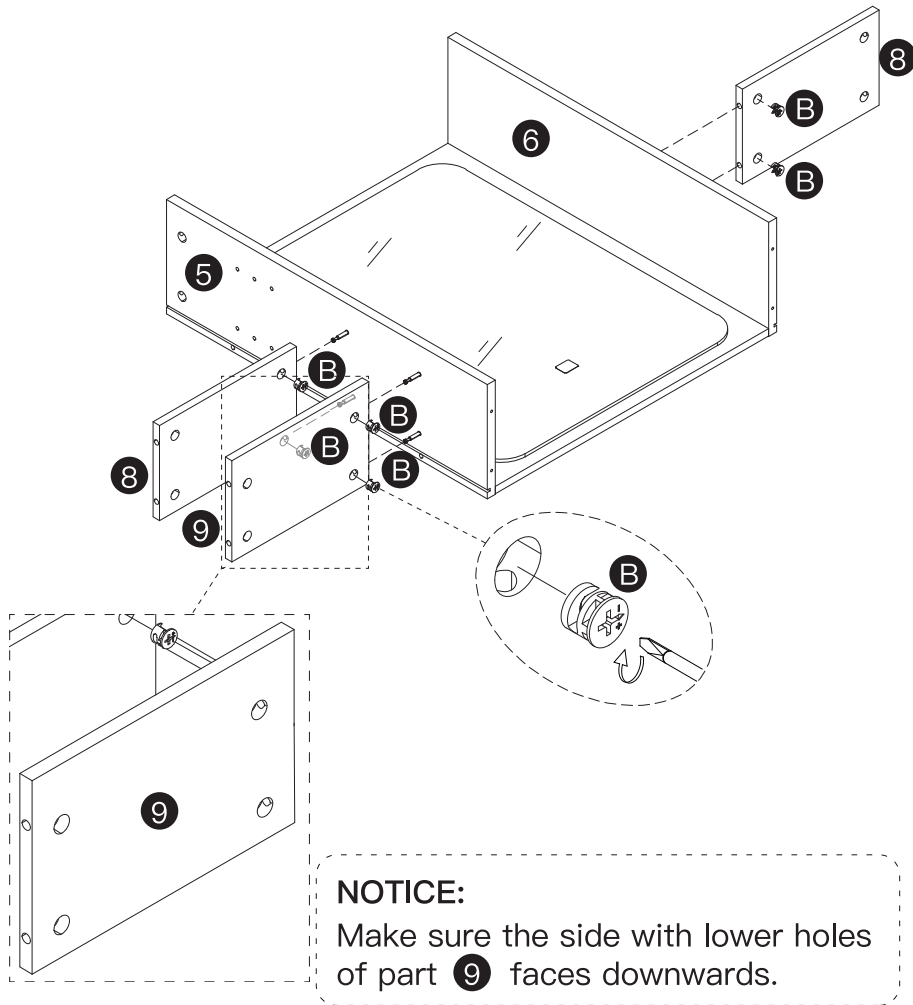
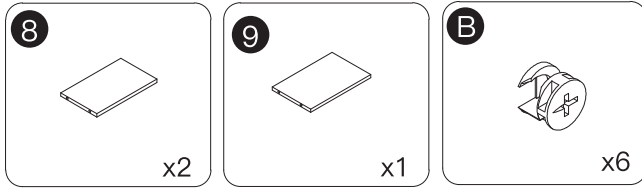
**Step 2** Connect part **5** & **6** with part **7** by part **D**.



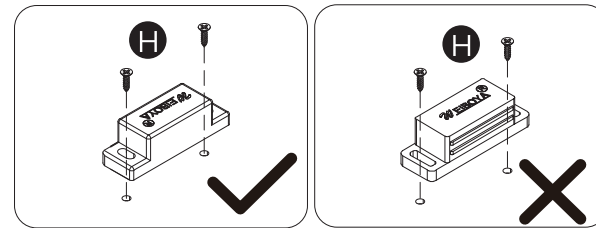
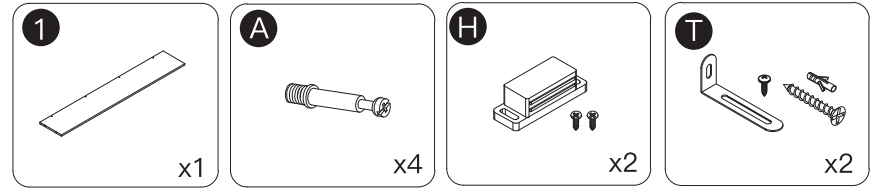
**NOTICE:**  
Make sure that the grooves of part **6** and **5** face in the opposite directions.



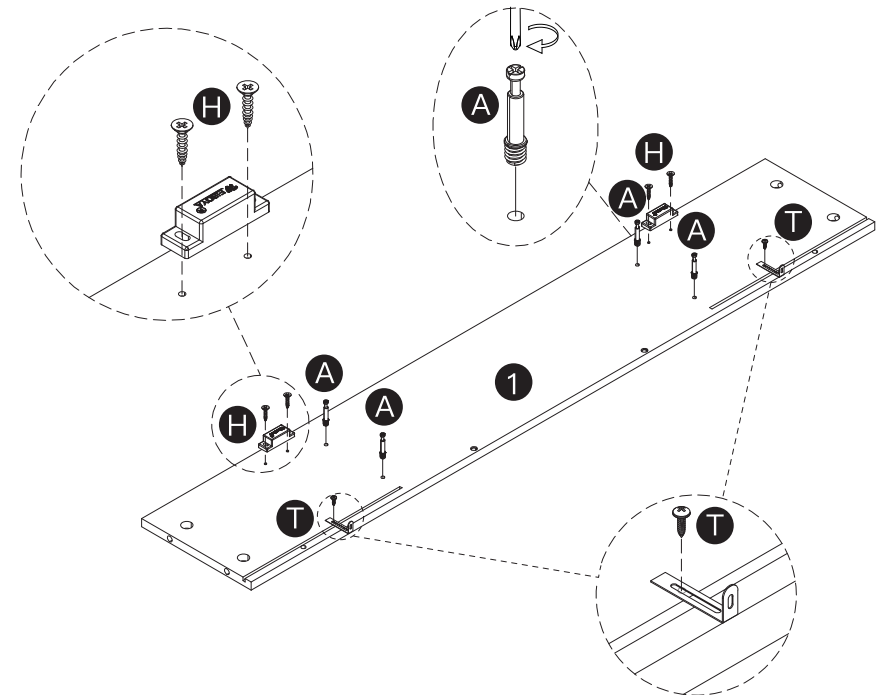
**Step 3** Connect part 8 & 9 with part 5 by part B.  
Connect part 8 with part 6 by part B.



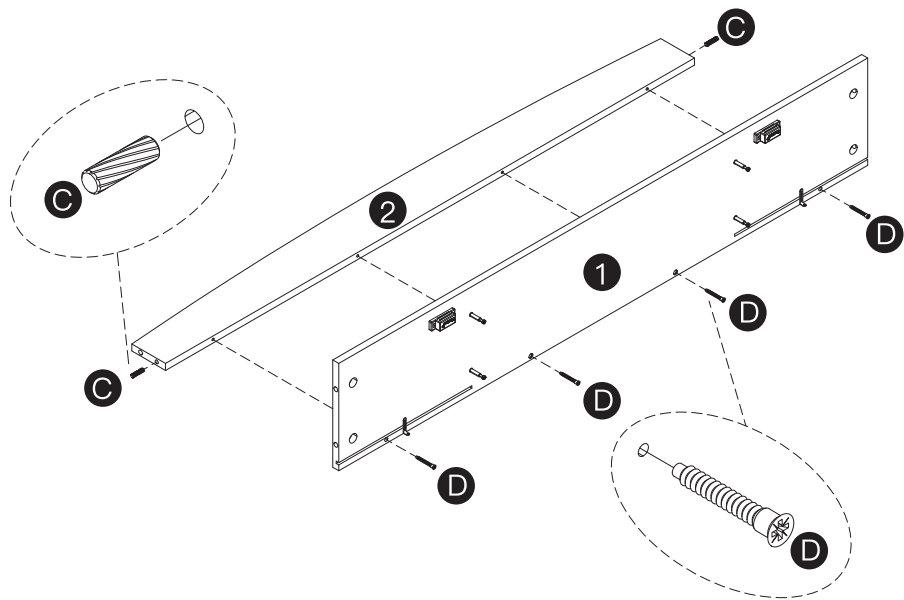
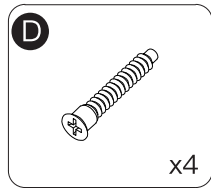
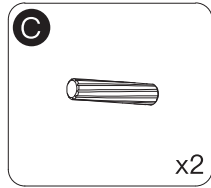
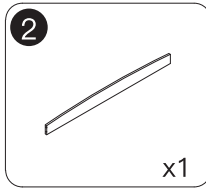
**Step 4** Install part A, H & T on part 1.



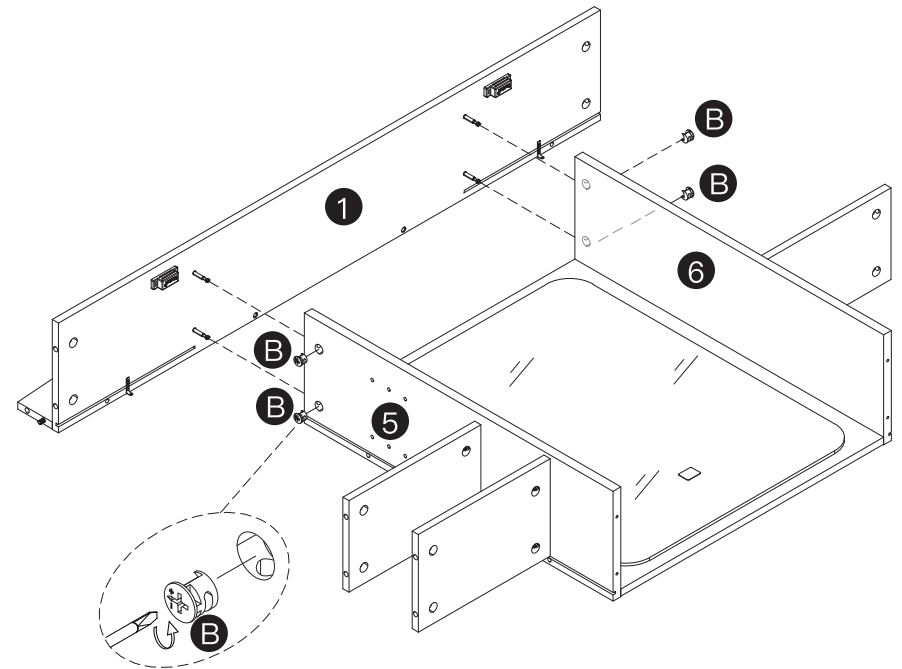
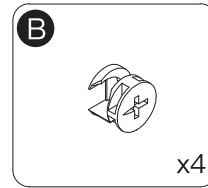
**NOTICE:**  
The magnetic port faces outward.



**Step 5** Insert part **C** into part **2**.  
Connect part **1** with part **2**, use part **D** to screw them.

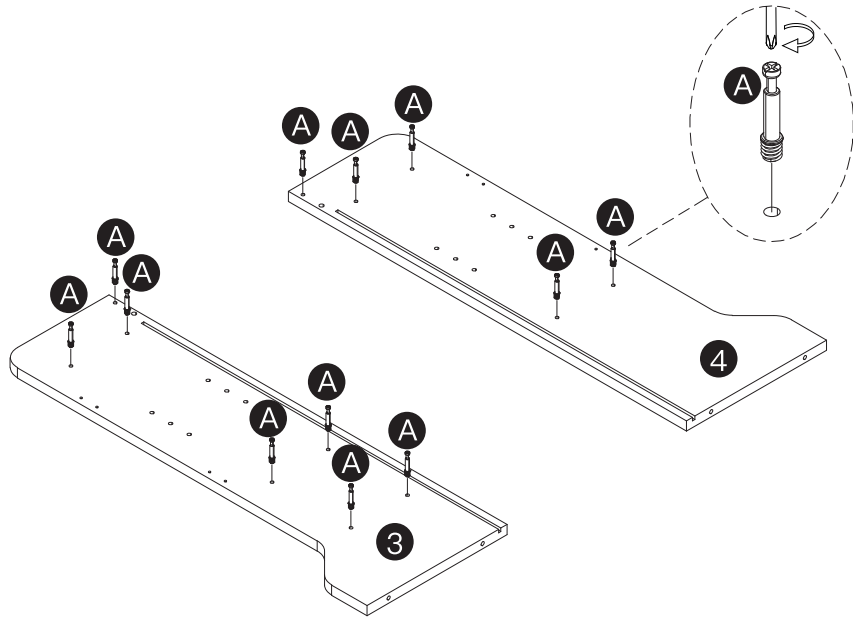
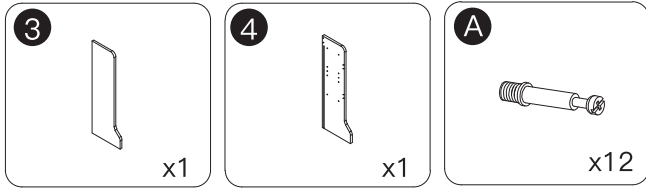


**Step 6** Connect part **1** with part **5** & **6**, use part **B** to lock them.



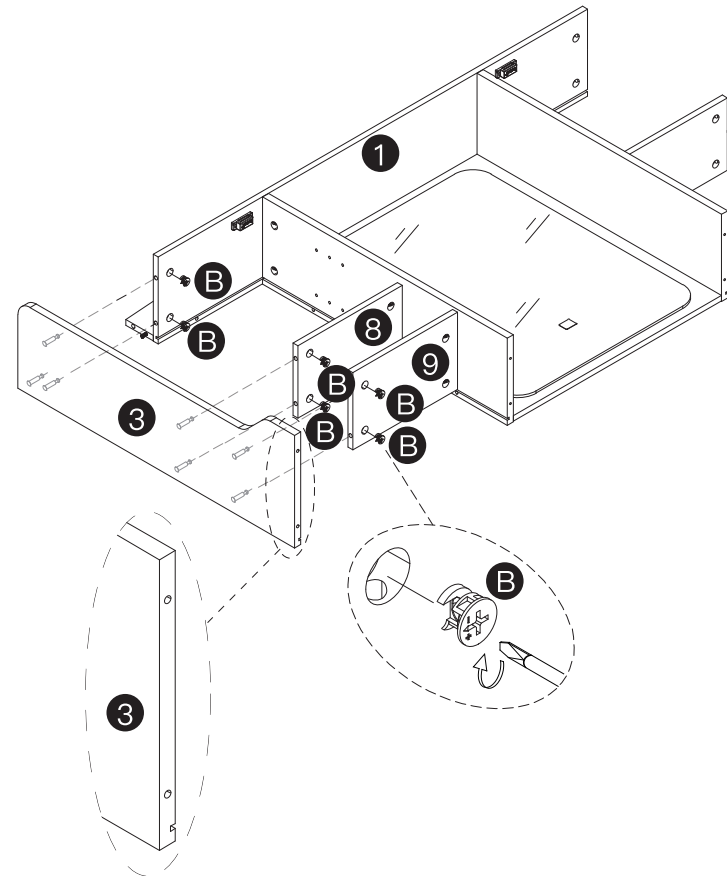
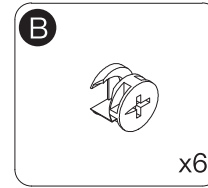
### Step 7

Install part **A** on part **3** & **4**.



### Step 8

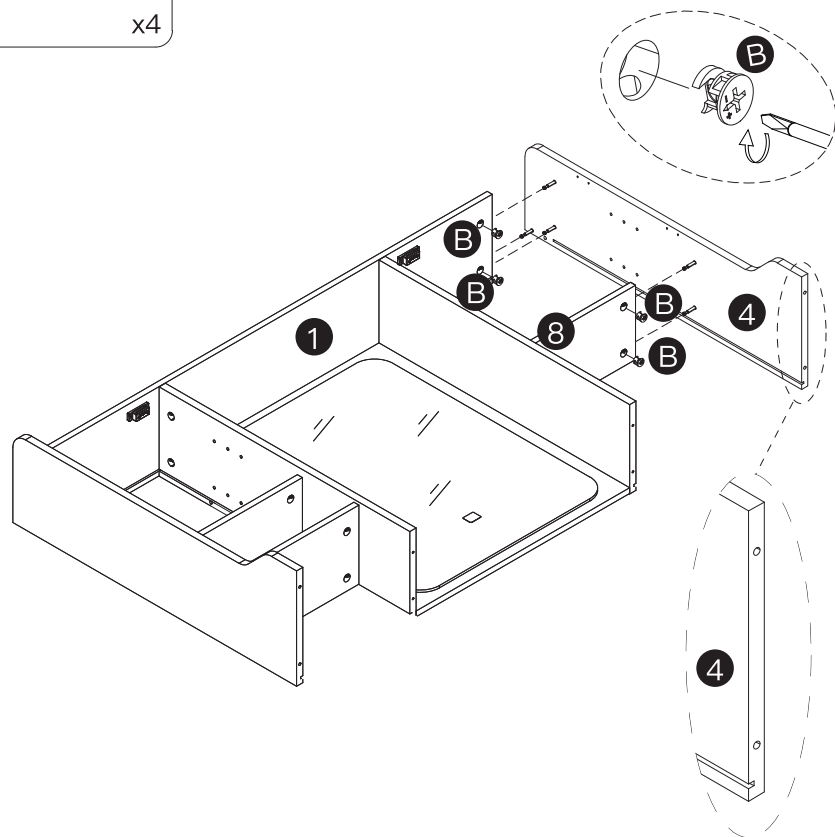
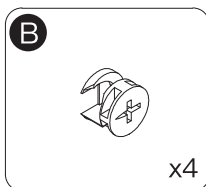
Connect part **3** with part **1**, **8** & **9** by part **B**.



#### NOTICE:

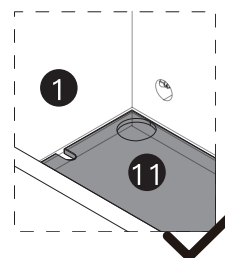
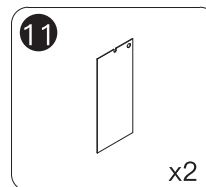
Ensure that the groove of part **3** is inward and downward.

**Step 9** Connect part 4 with part 1 & 8 by part B.

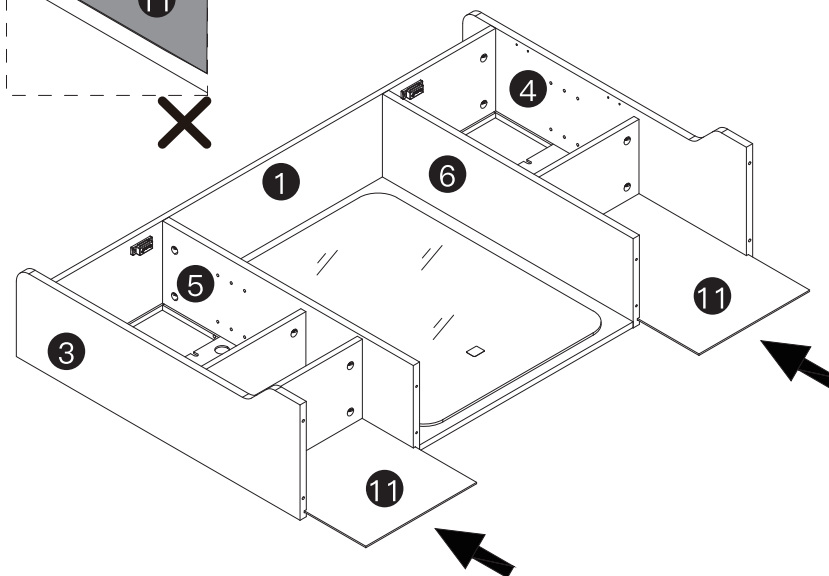
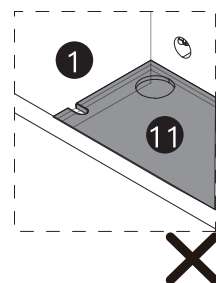


**NOTICE:**  
Ensure that the groove of part 4 is inward and downward.

**Step 10** Insert part 11 into part 1, 3 & 5.  
Insert part 11 into part 1, 4 & 6.

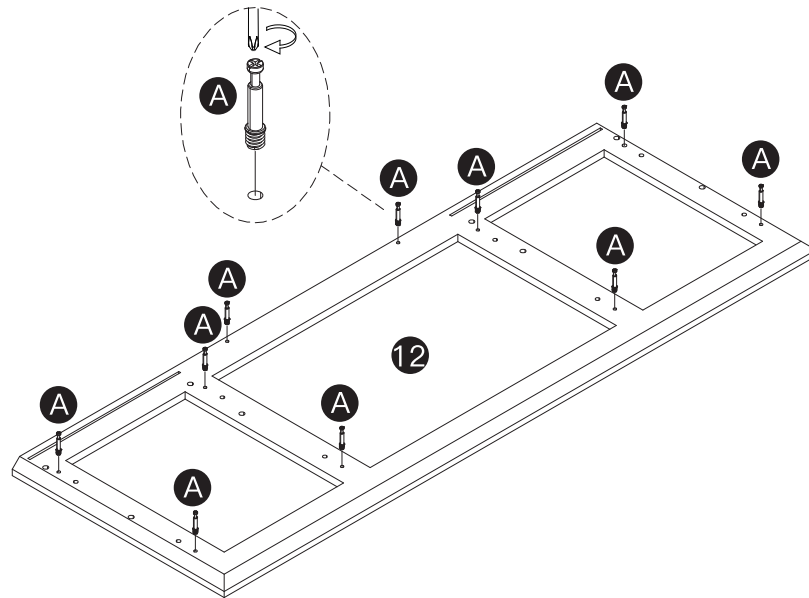
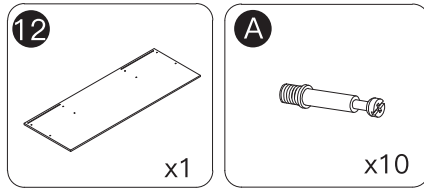


**NOTICE:**  
Please make sure that part 11 are perfectly embedded in part 1.



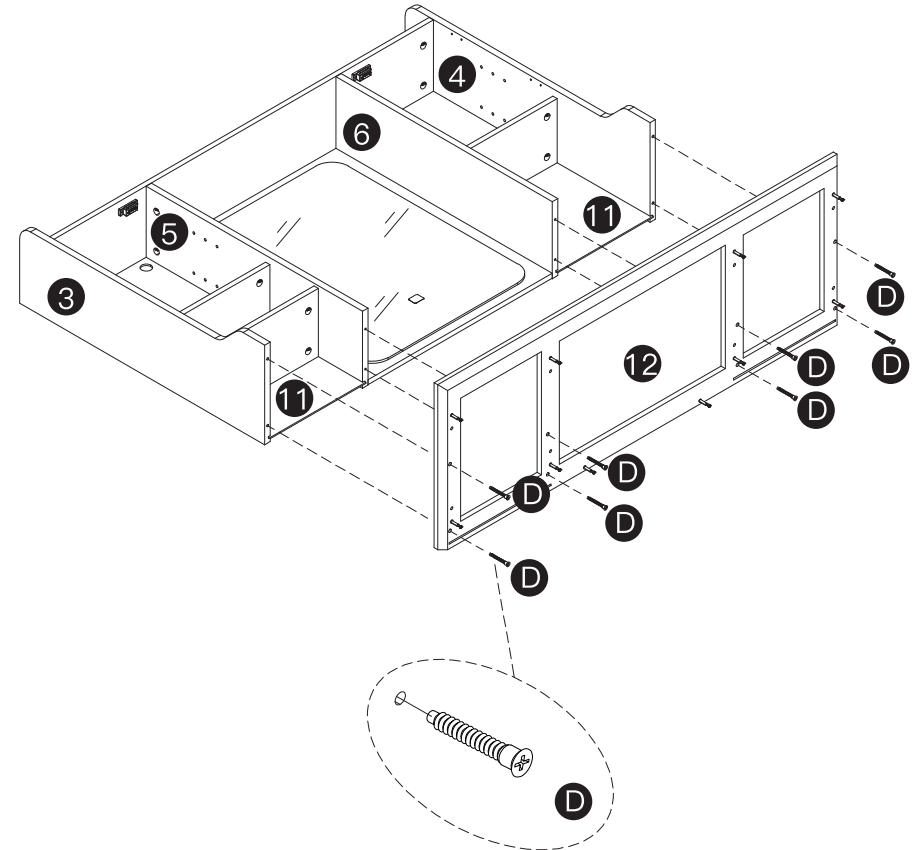
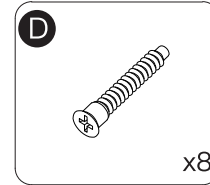
### Step 11

Install part **A** on part **12**.



### Step 12

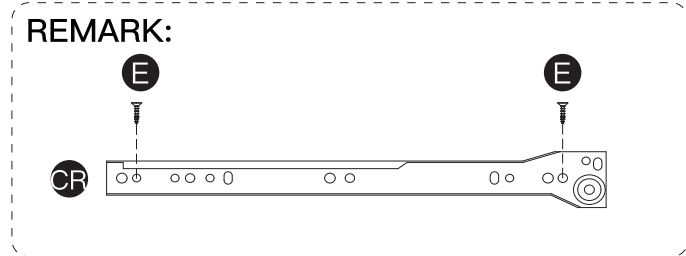
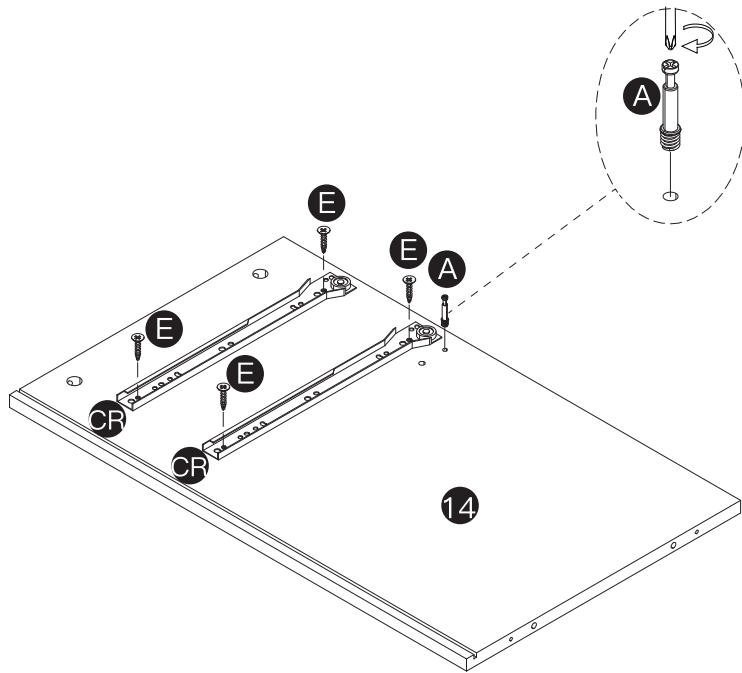
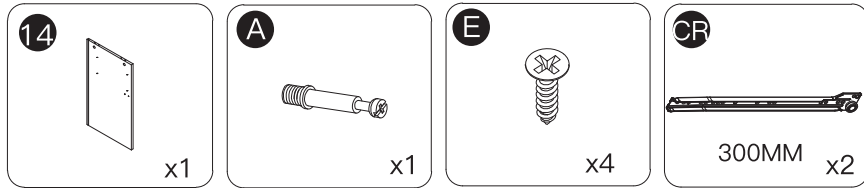
Connect part **12** with part **3**, **4**, **5** & **6**, use part **D** to screw them.



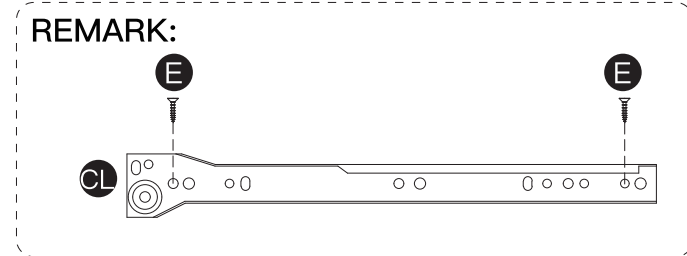
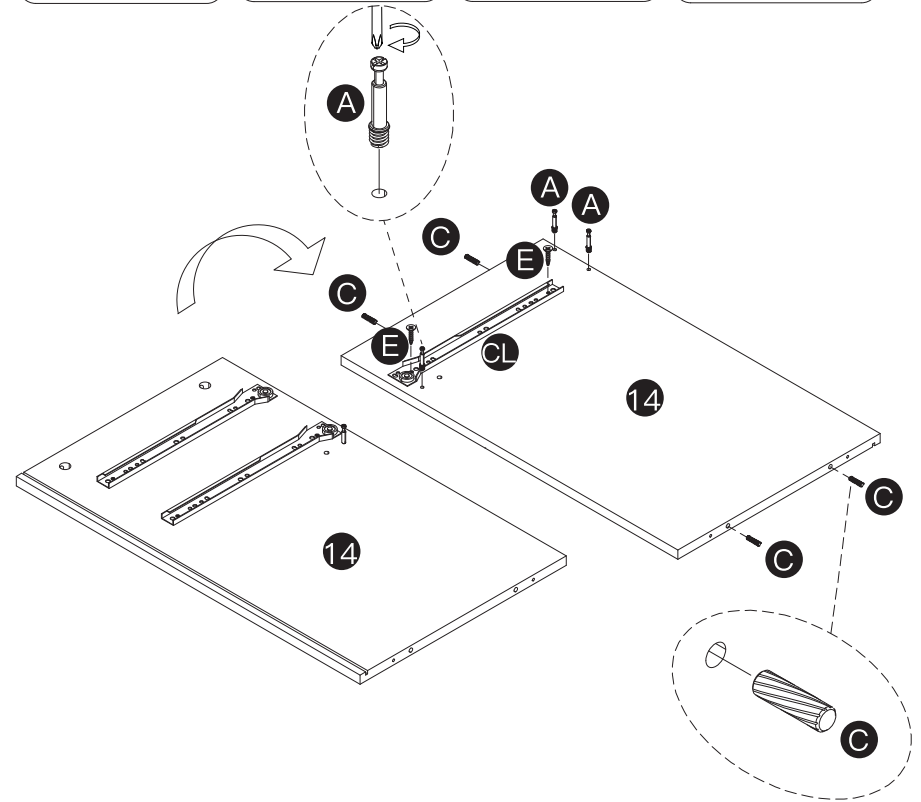
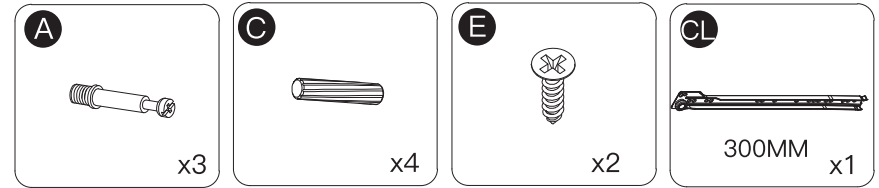
#### NOTICE:

Please insert the part **11** perfectly into the groove of the part **12** before installing the part **D**.

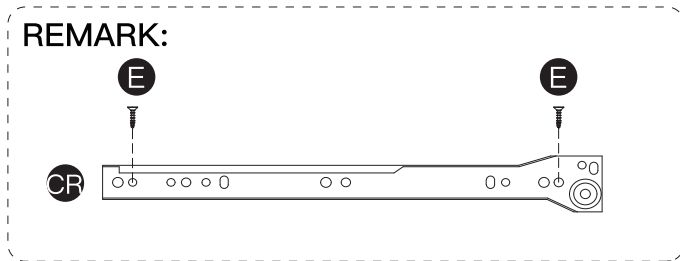
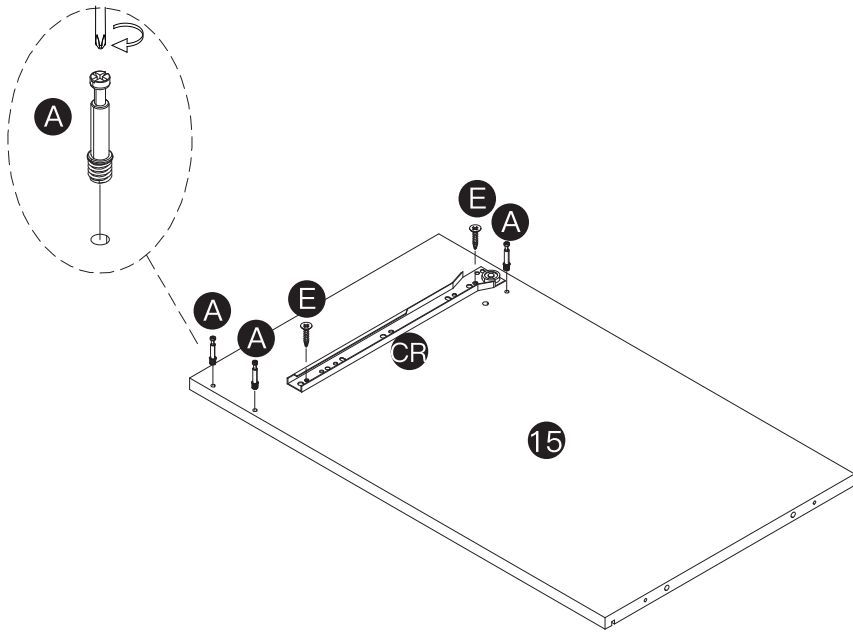
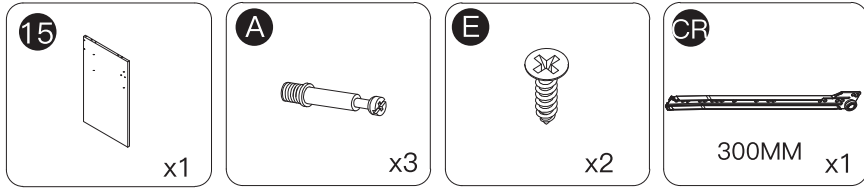
**Step 13** Install part **A** on part **14**.  
Install part **CR** on part **14**, use part **E** to screw them.



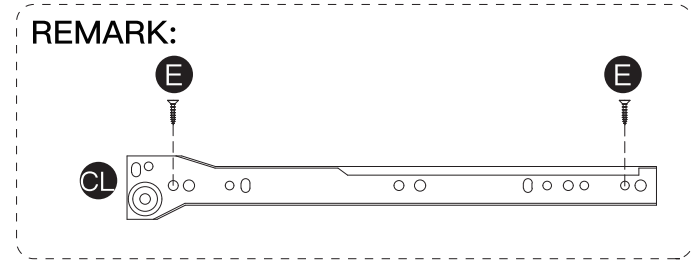
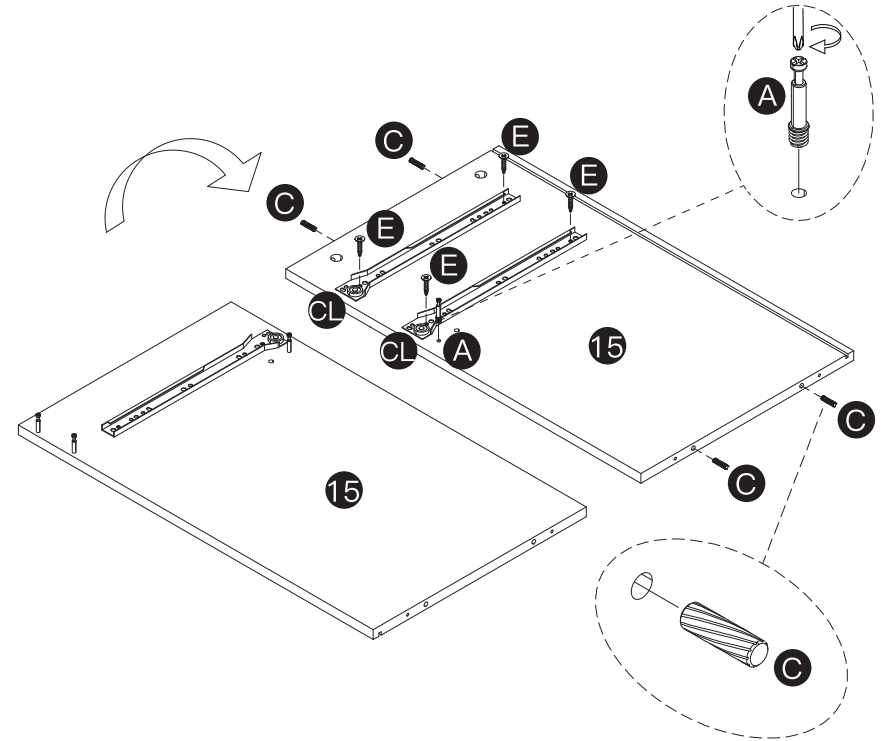
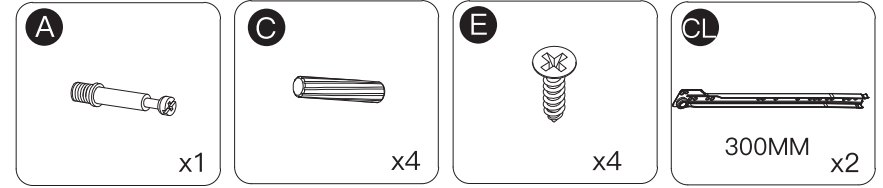
**Step 14** Install part **A** & **C** on part **14**.  
Install part **CL** on part **14**, use part **E** to screw them.



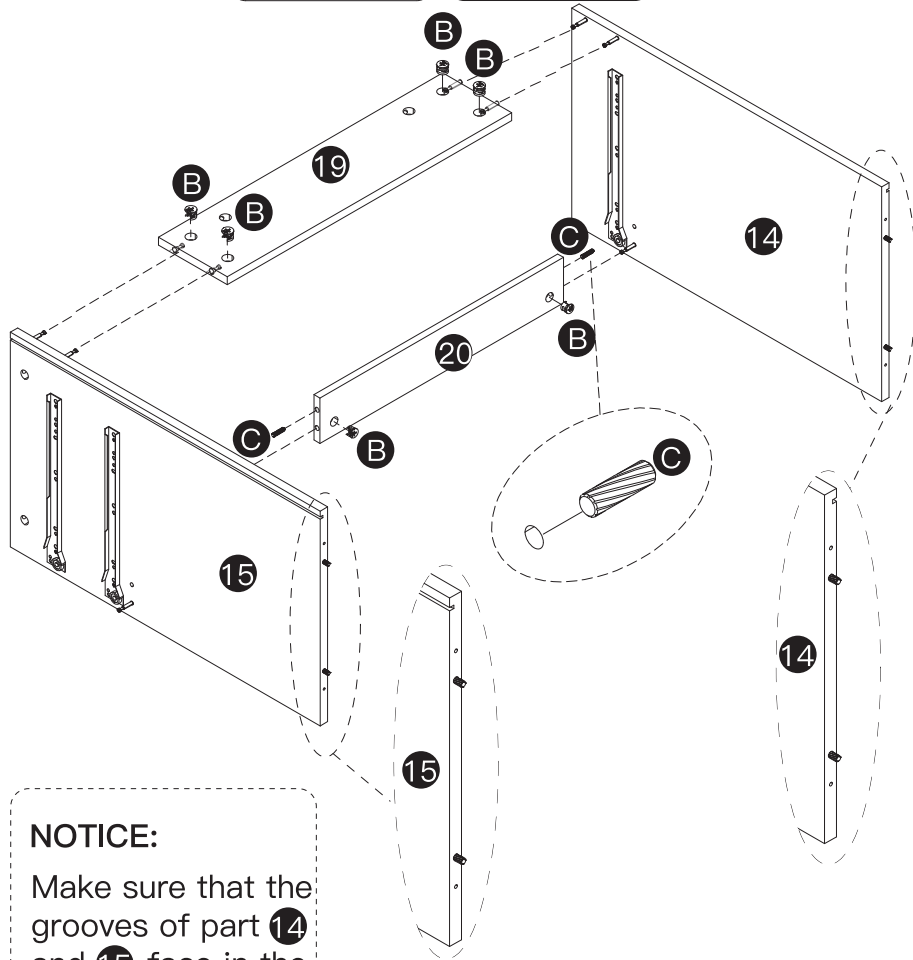
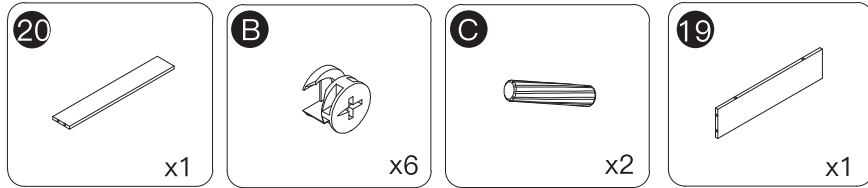
**Step 15** Install part **A** on part **15**.  
Install part **CR** on part **15**, use part **E** to screw them.



**Step 16** Install part **A** & **C** on part **15**.  
Install part **CL** on part **15**, use part **E** to screw them.



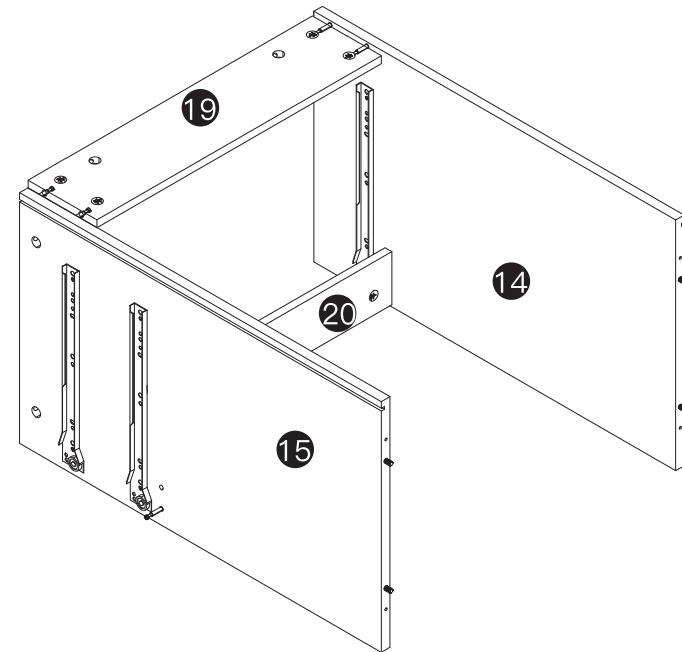
**Step 17** Insert part **C** into part **19** **20**.  
Connect part **14** & **15** with part **19** **20** by part **B**.



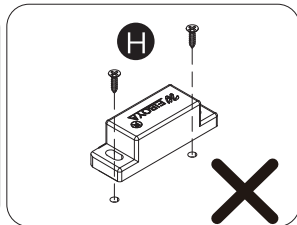
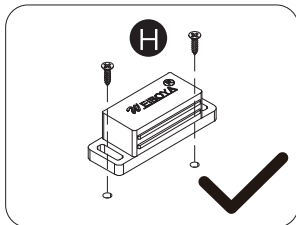
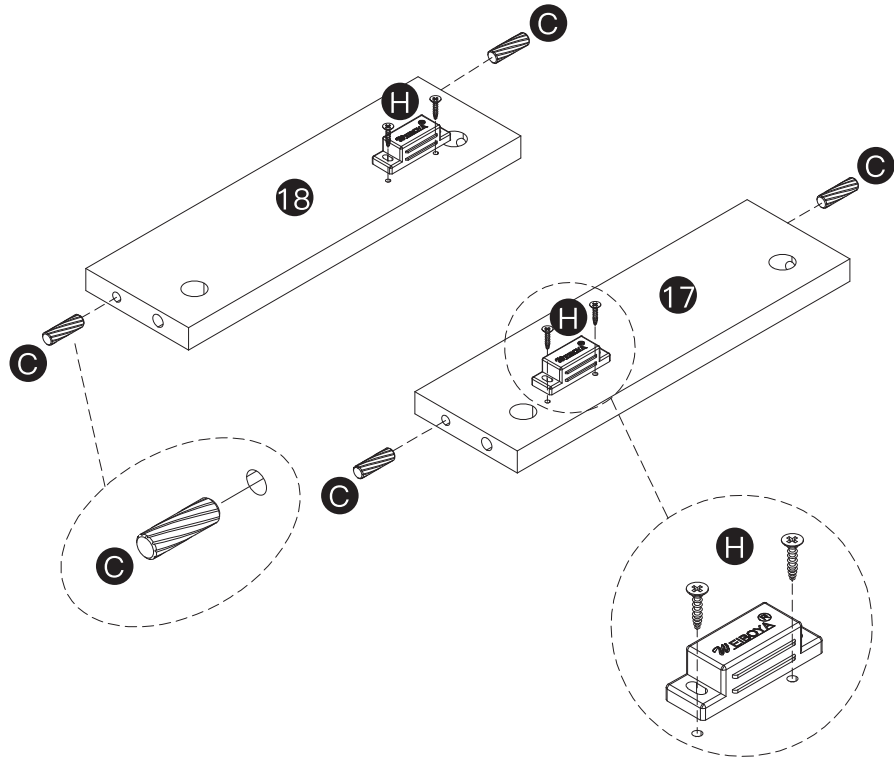
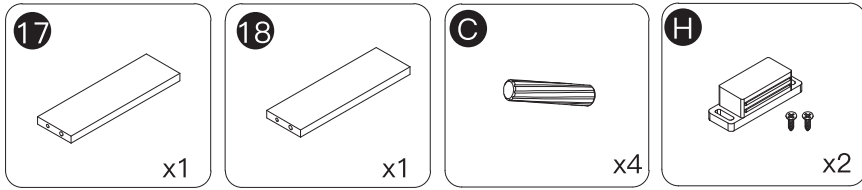
**NOTICE:**

Make sure that the grooves of part **14** and **15** face in the opposite directions.

**Step 18** Connect part **14** & **15** with part **19** **20**

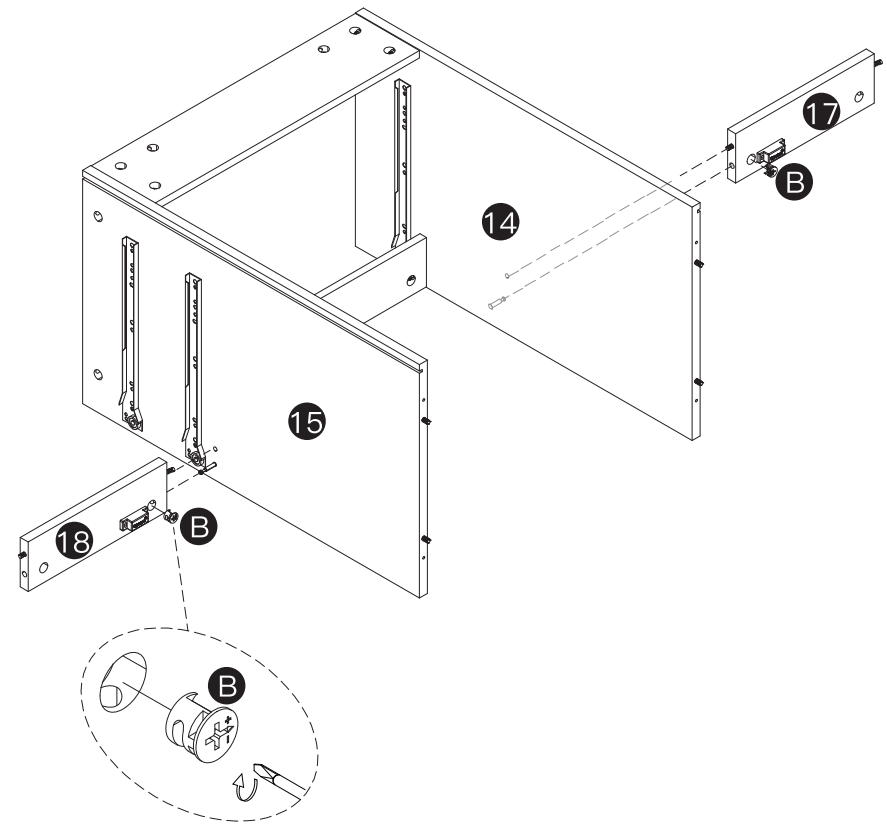
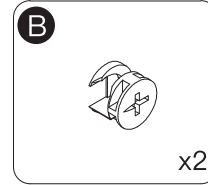


**Step 19** Install part **H** on part **17** & **18** .  
Insert part **C** into part **17** & **18** .

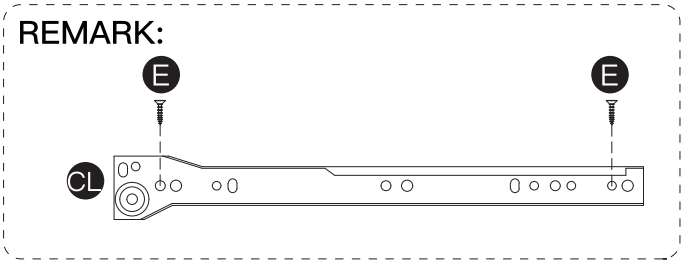
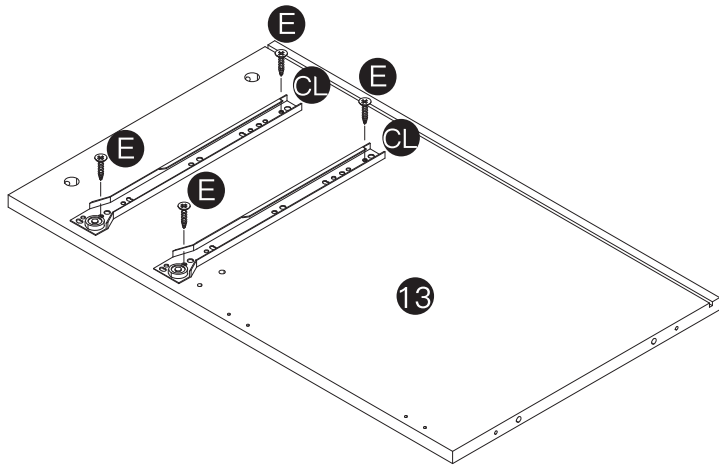
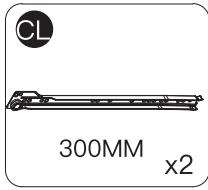
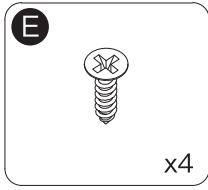
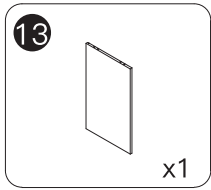


**NOTICE:**  
The magnetic port  
faces outward.

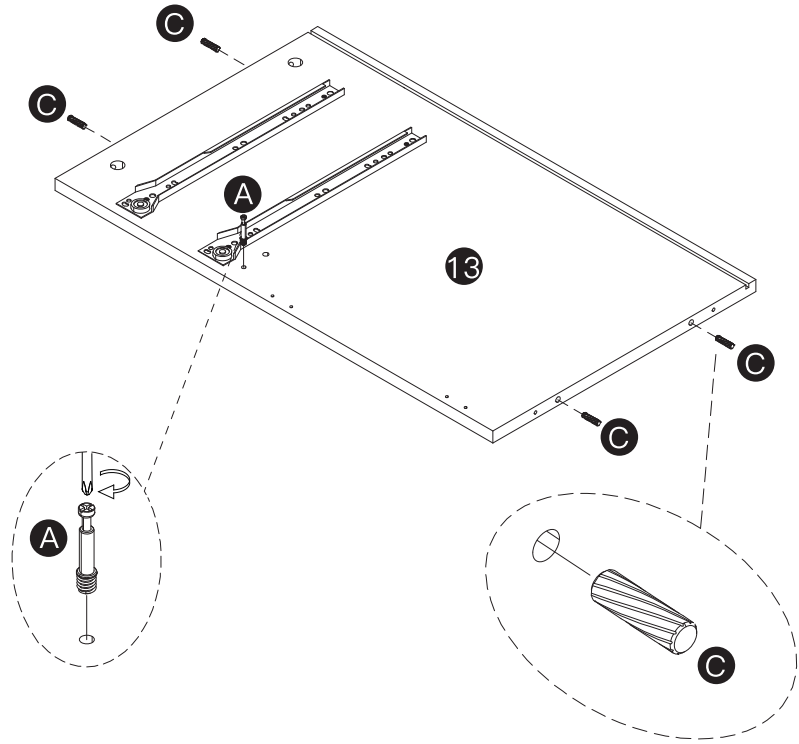
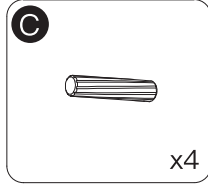
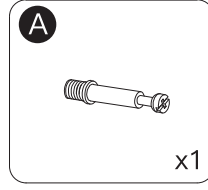
**Step 20** Connect part **17** with part **14** by part **B** .  
Connect part **18** with part **15** by part **B** .



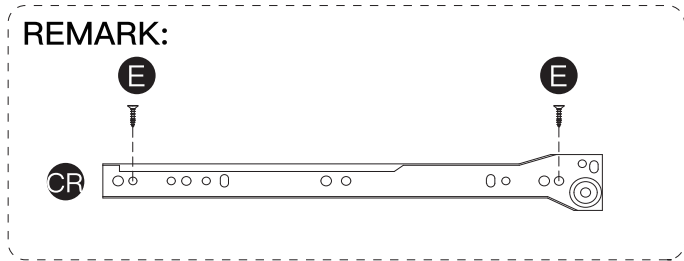
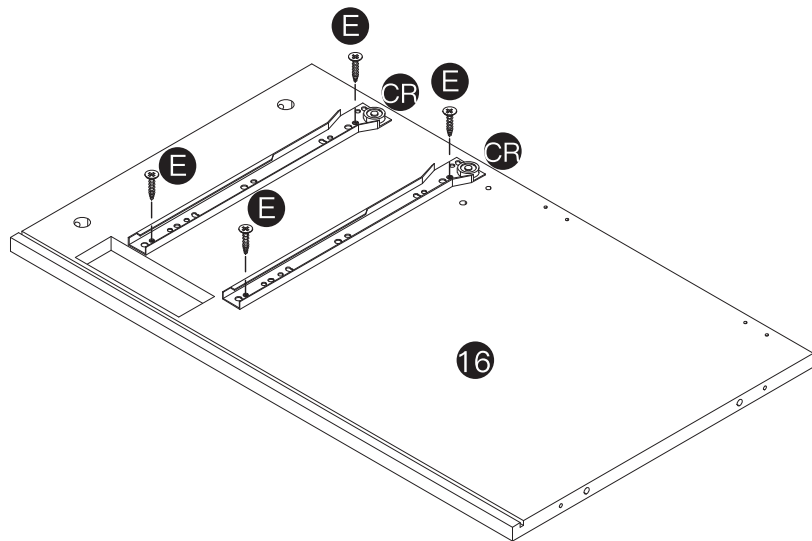
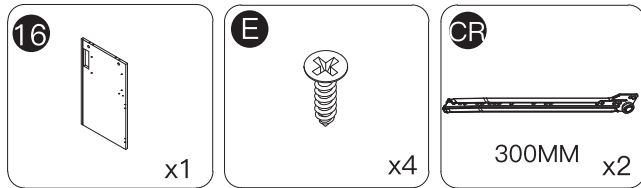
**Step 21** Install part **CL** on part **13** with part **E**.



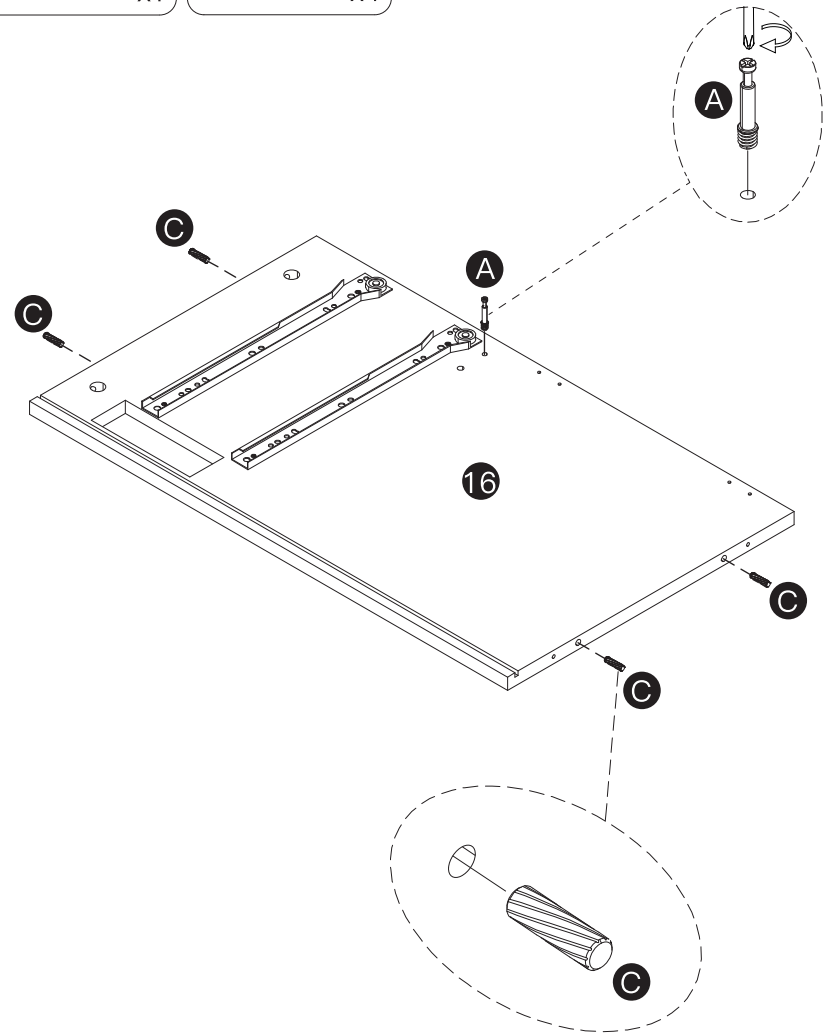
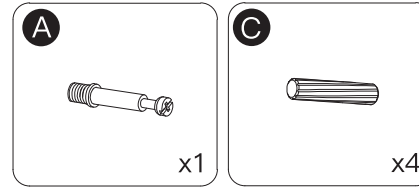
**Step 22** Install part **A** on part **13**.  
Insert part **C** into part **13**.



**Step 23** Install part **CR** on part **16** with part **E**.

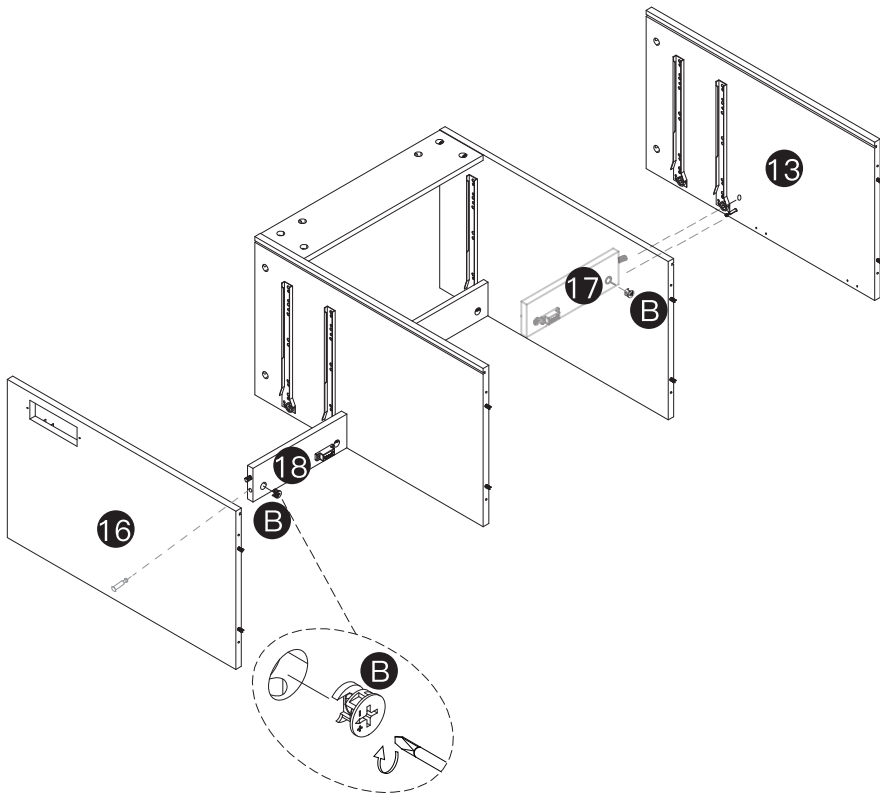
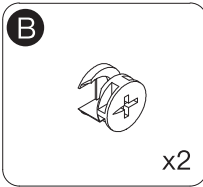


**Step 24** Install part **A** on part **16**.  
Insert part **C** into part **16**.



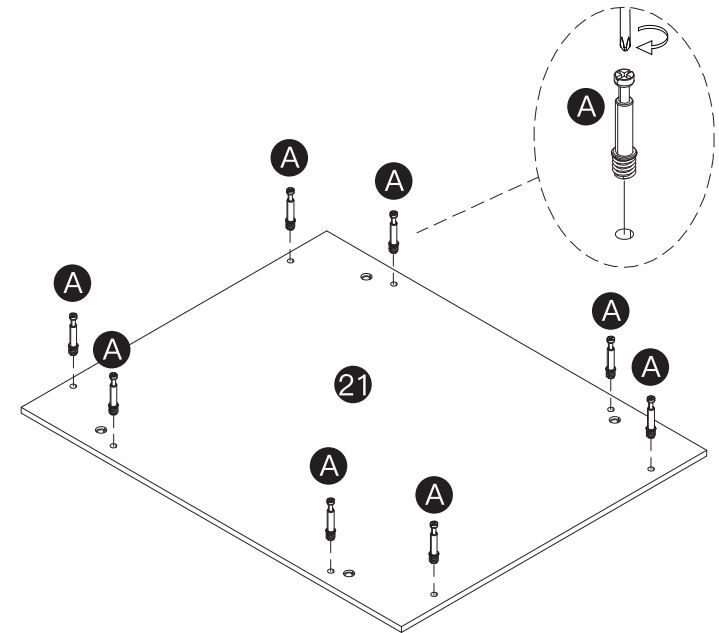
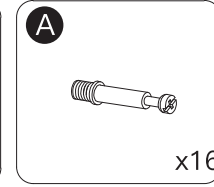
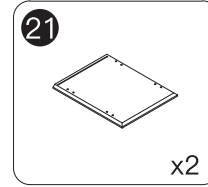
**Step 25**

Connect part 16 with part 18 by part B.  
Connect part 13 with part 17 by part B.



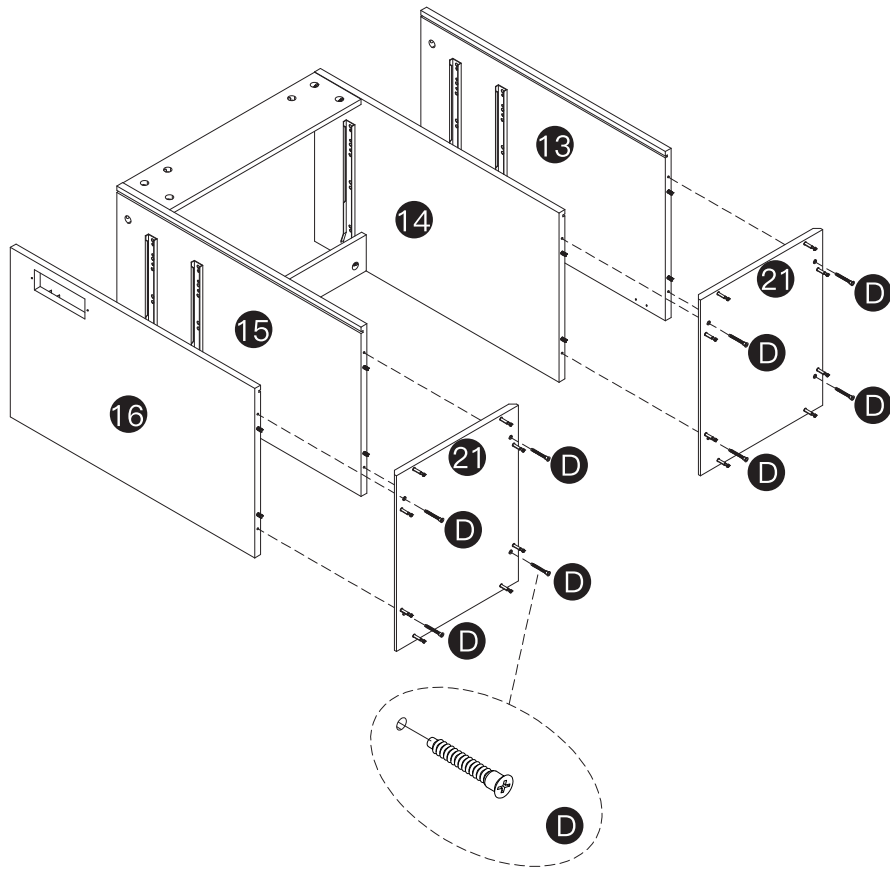
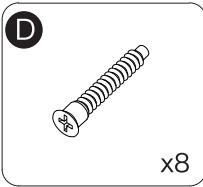
**Step 26**

Install part A on part 21.

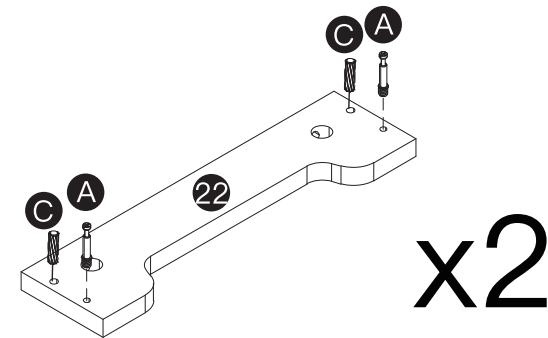
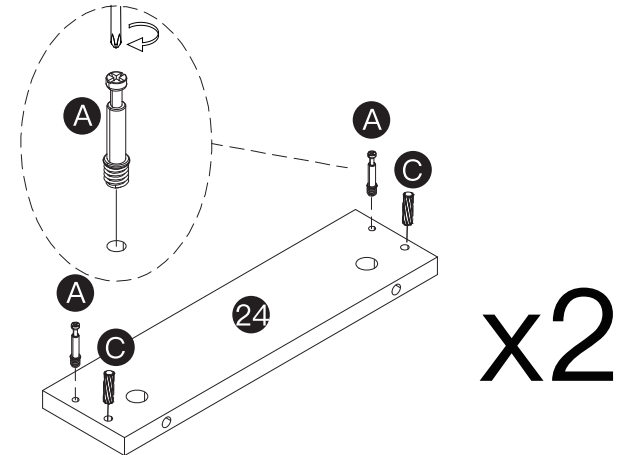
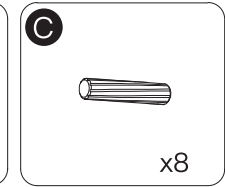
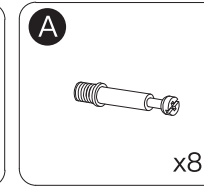
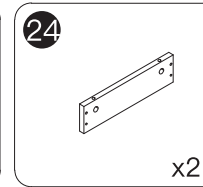
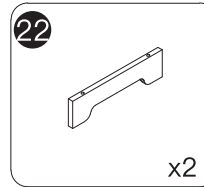


x2

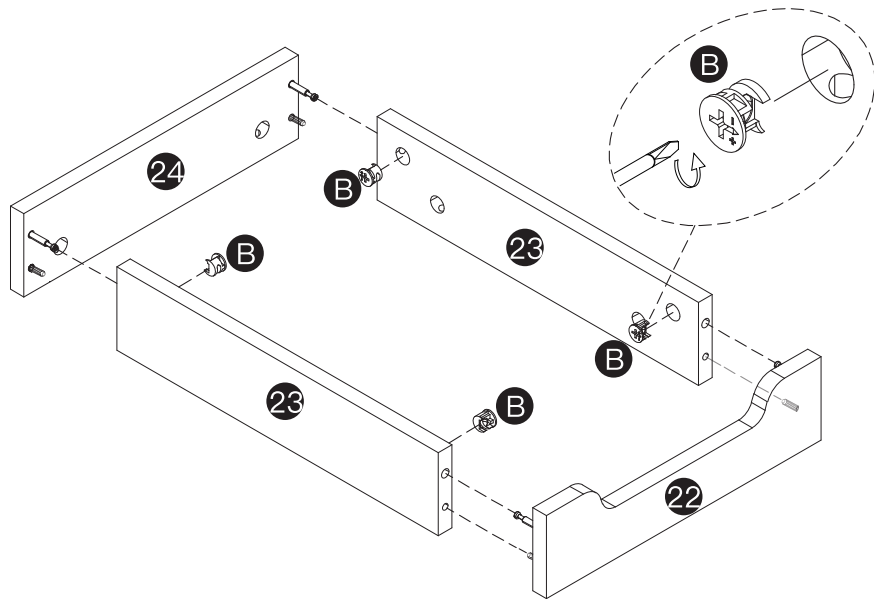
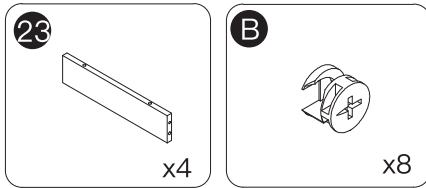
**Step 27** Connect part 21 with part 13 & 14 , 16 & 15 , use part D to screw them.



**Step 28** Install part A on part 22 & 24 . Insert part C into part 22 & 24 .

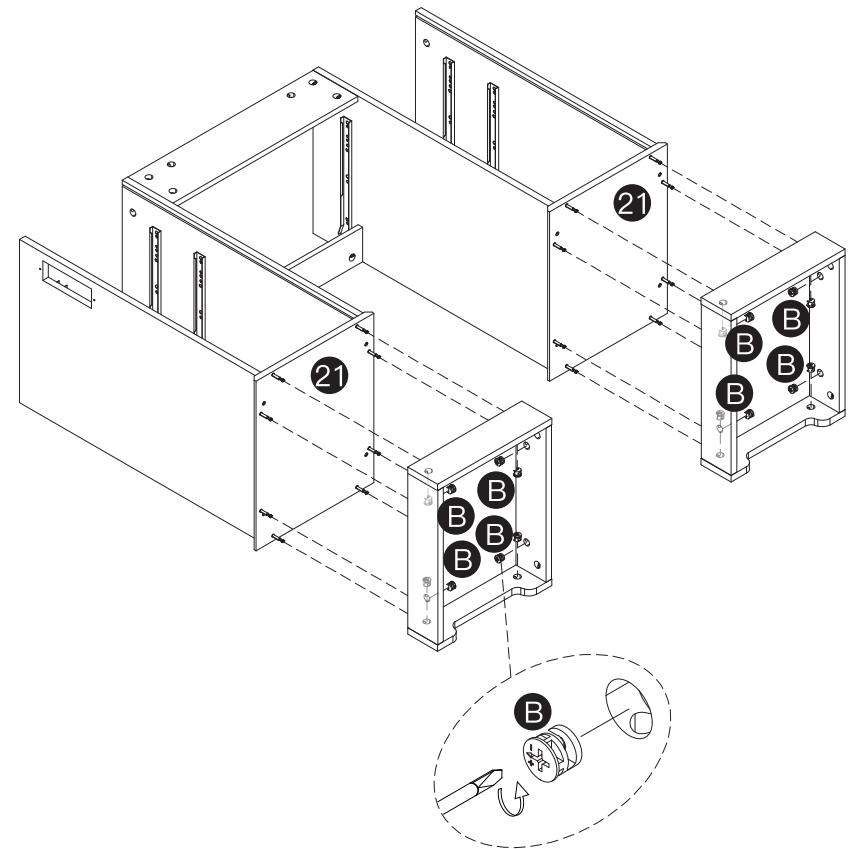
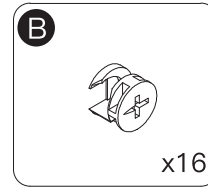


**Step 29** Connect part 22 & 24 with part 23, use part B to lock them.



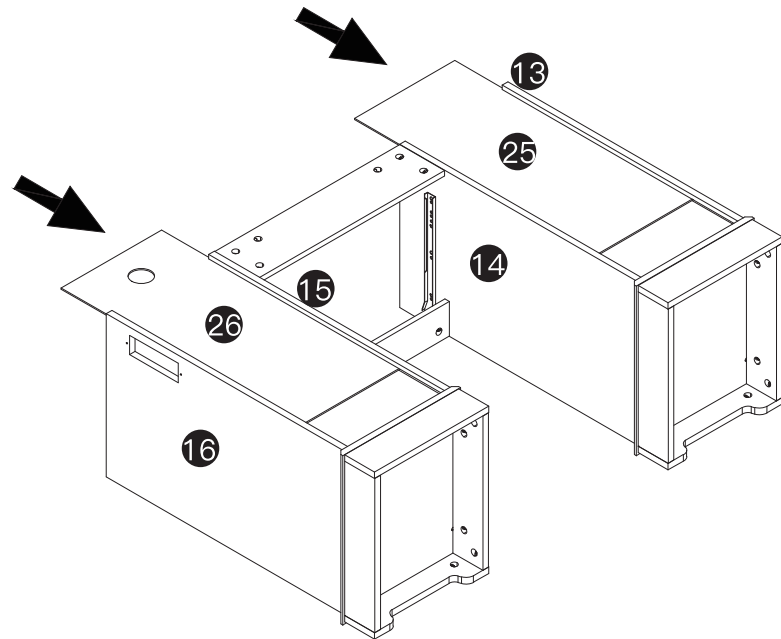
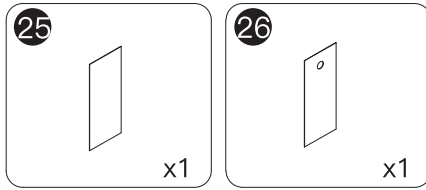
x2

**Step 30** Connect part 21 with the frame installed in the previous step, use part B to lock them.



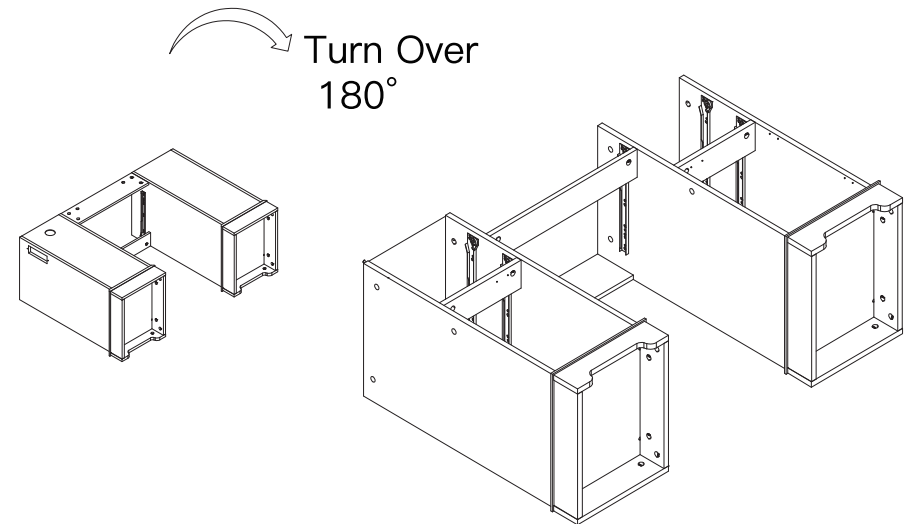
### Step 31

Insert part 25 into part 13 & 14 .  
Insert part 26 into part 15 & 16 .

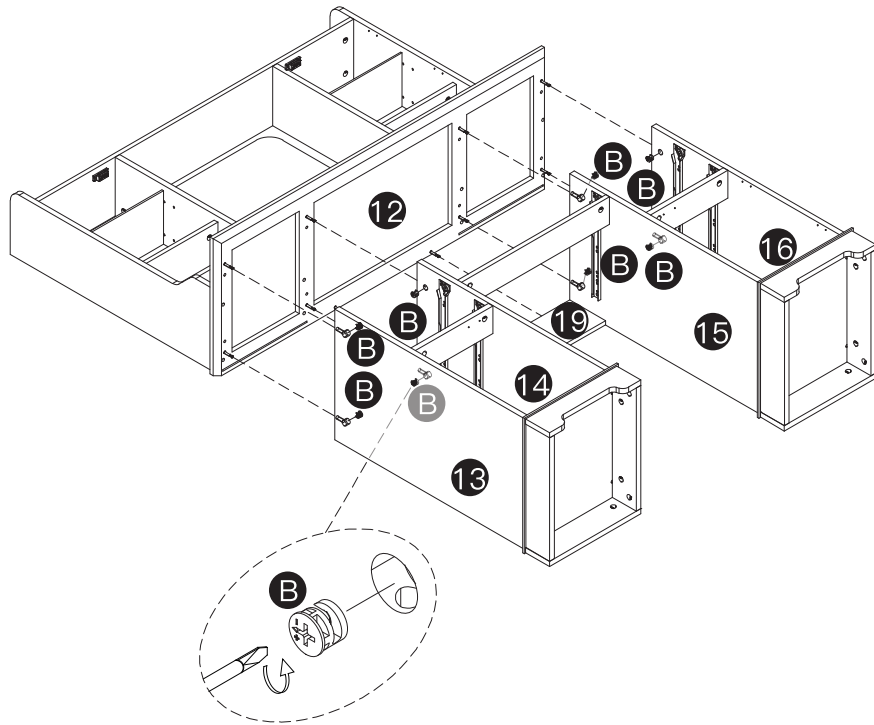
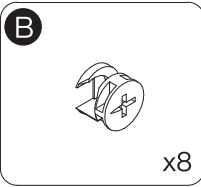


### Step 32

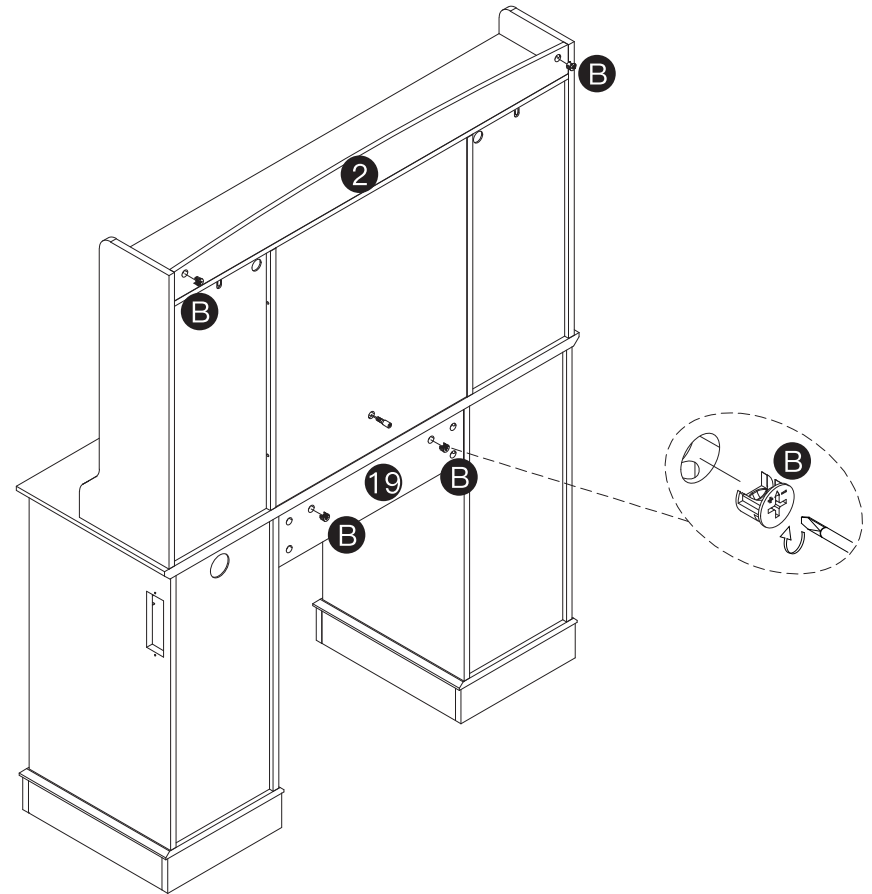
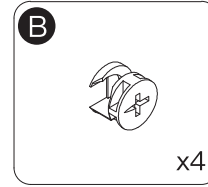
Change the angle of the frame already installed in the previous step.



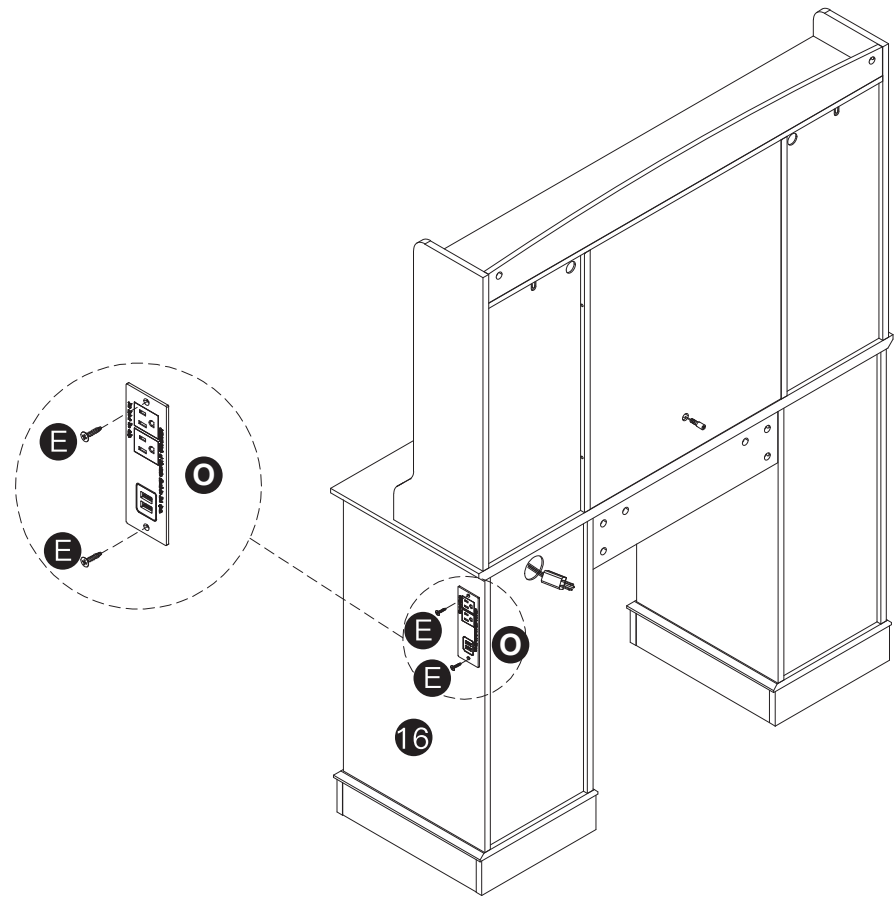
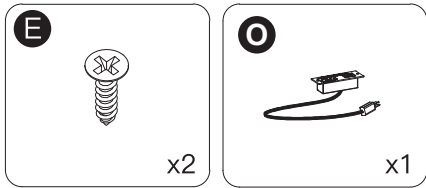
**Step 33** Connect part 12 with part 13, 14, 15, 16 & 19, use part B to lock them.



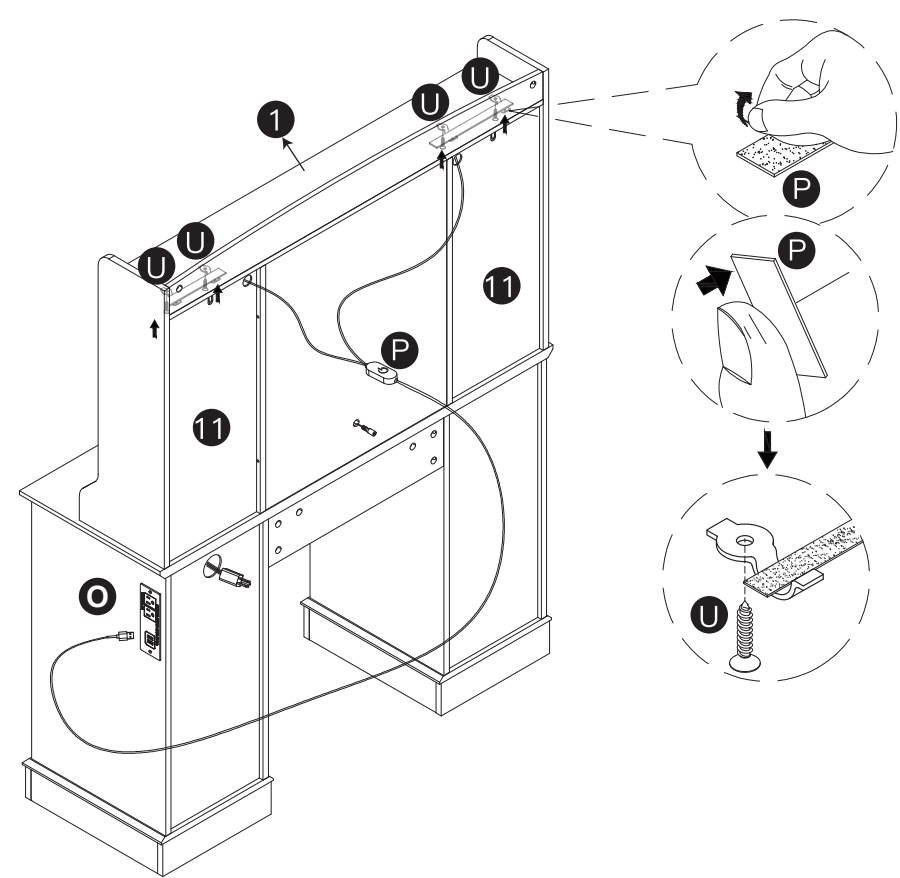
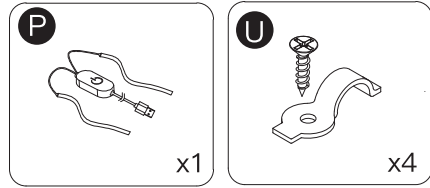
**Step 34** Use part B to lock part 2 & 19.



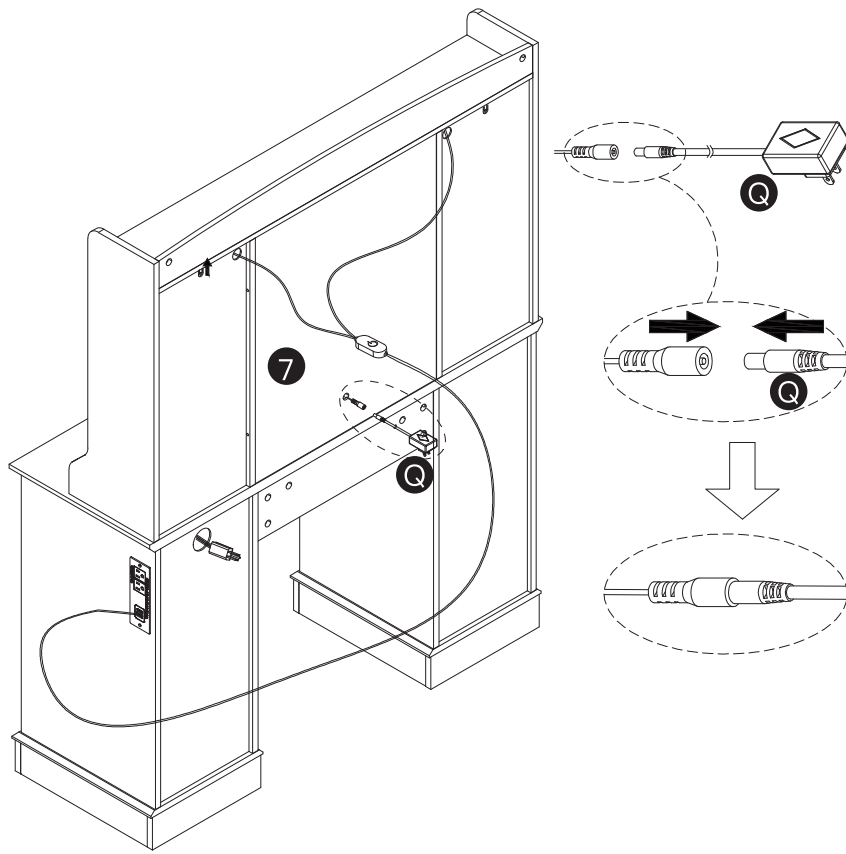
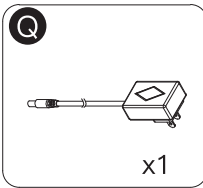
**Step 35** Install part **O** on part **16** with part **E**.



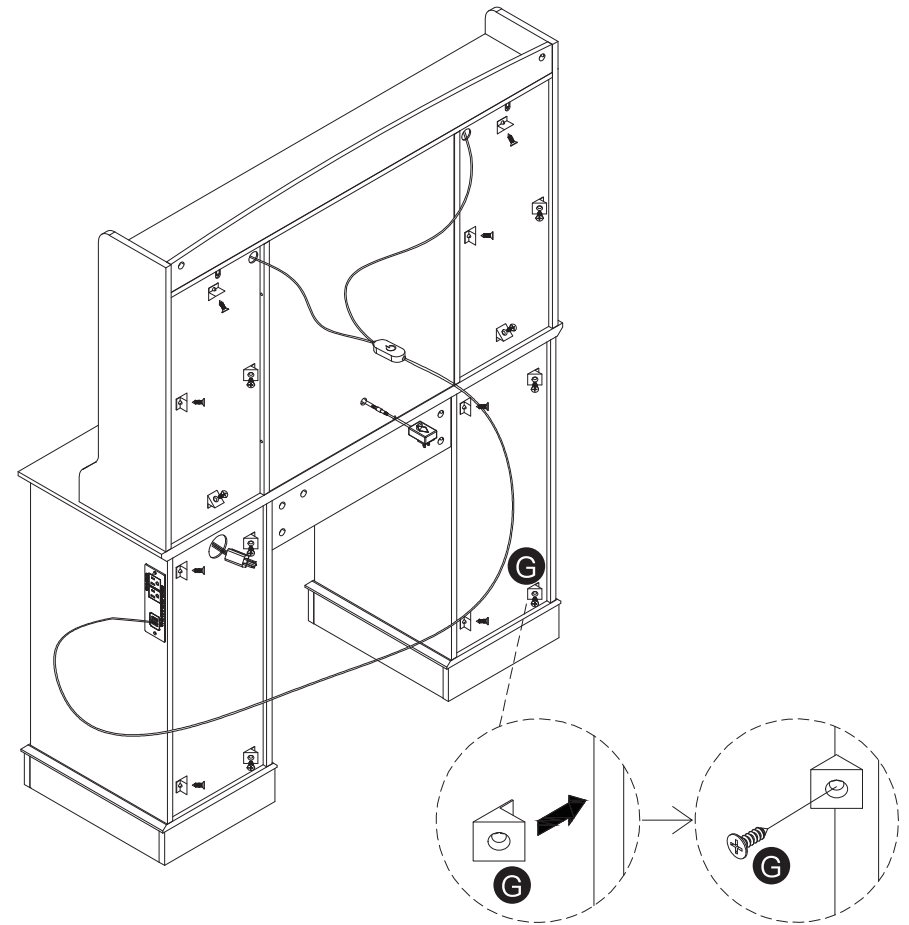
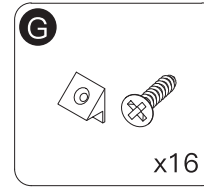
**Step 36** Let part **P** connect to part **O** and the other side of it pass through parts **11** by part **U** to fix on part **1**.



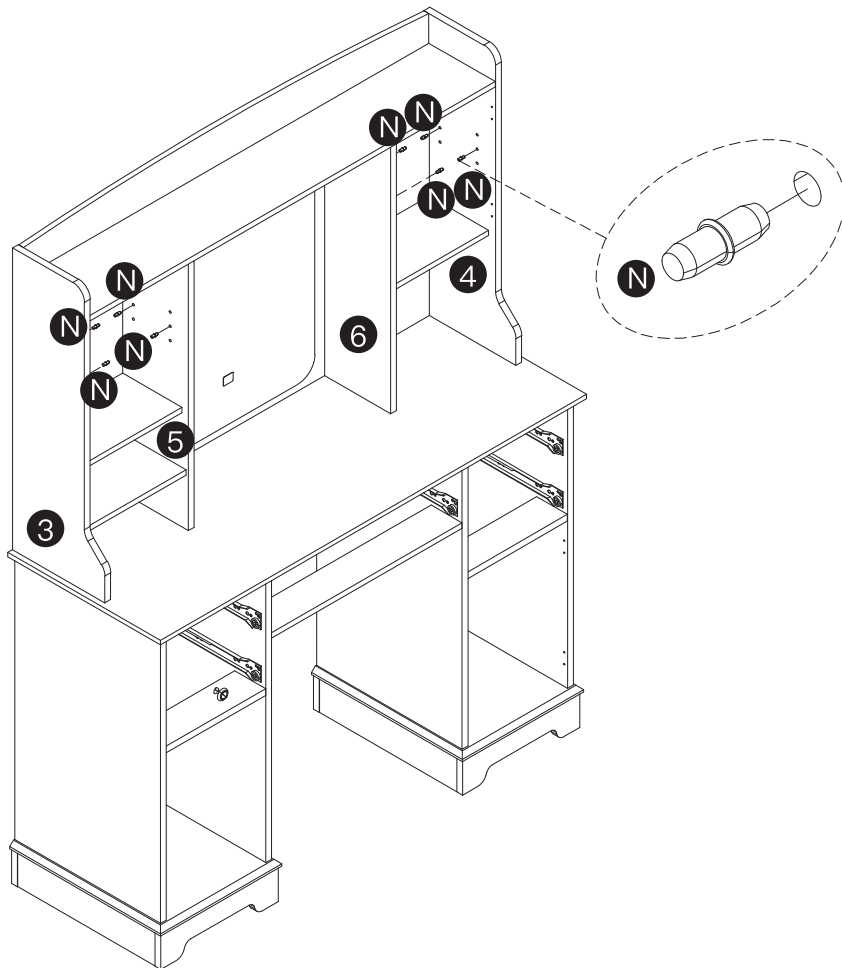
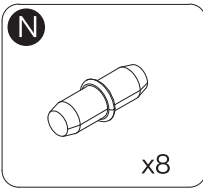
**Step 37** Connect part **Q** with part **7**.



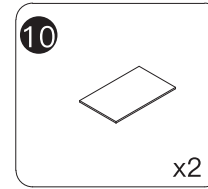
**Step 38** Install part **G** along the grooves of backboard for better stability.



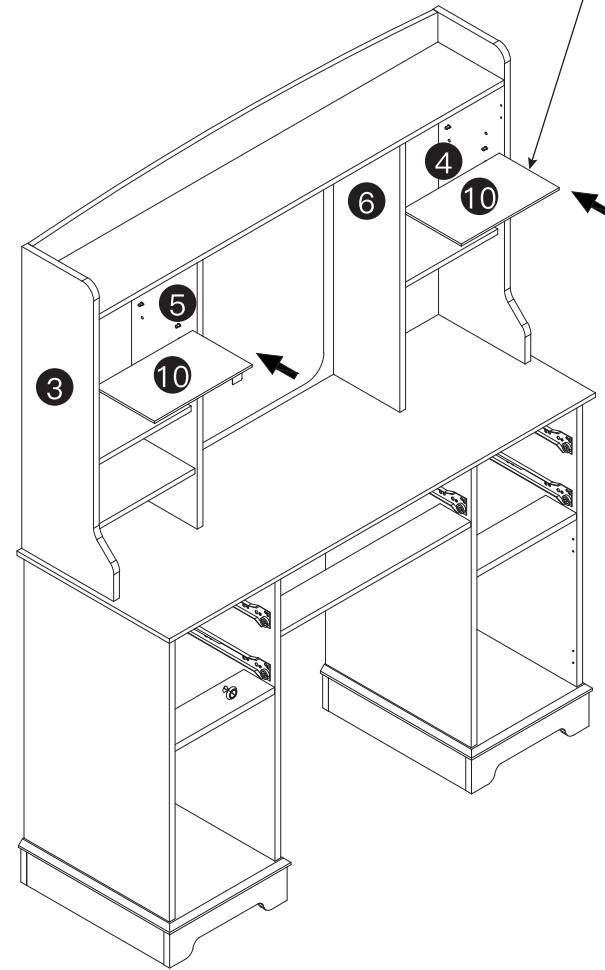
**Step 39** Install part **N** on part **3**, **4**, **5** & **6**.



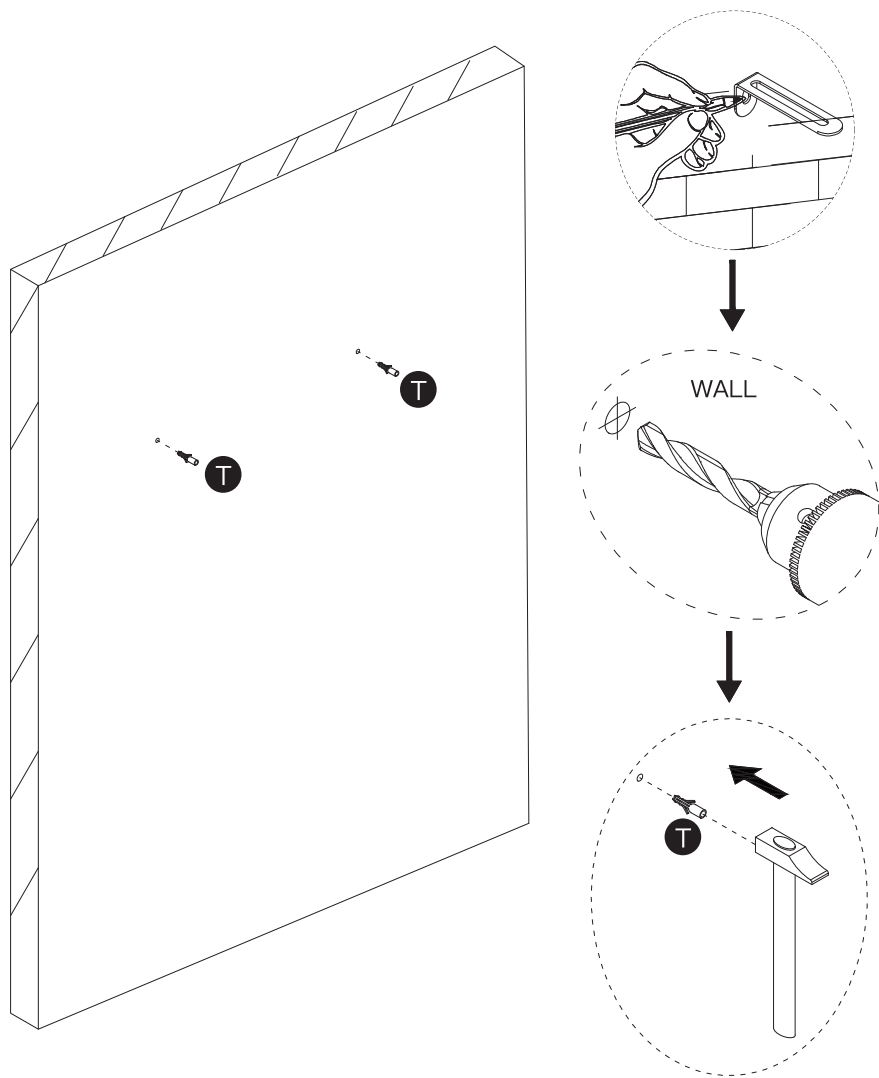
**Step 40** Place part **10** between part **3** & **5** and part **4** & **6**.



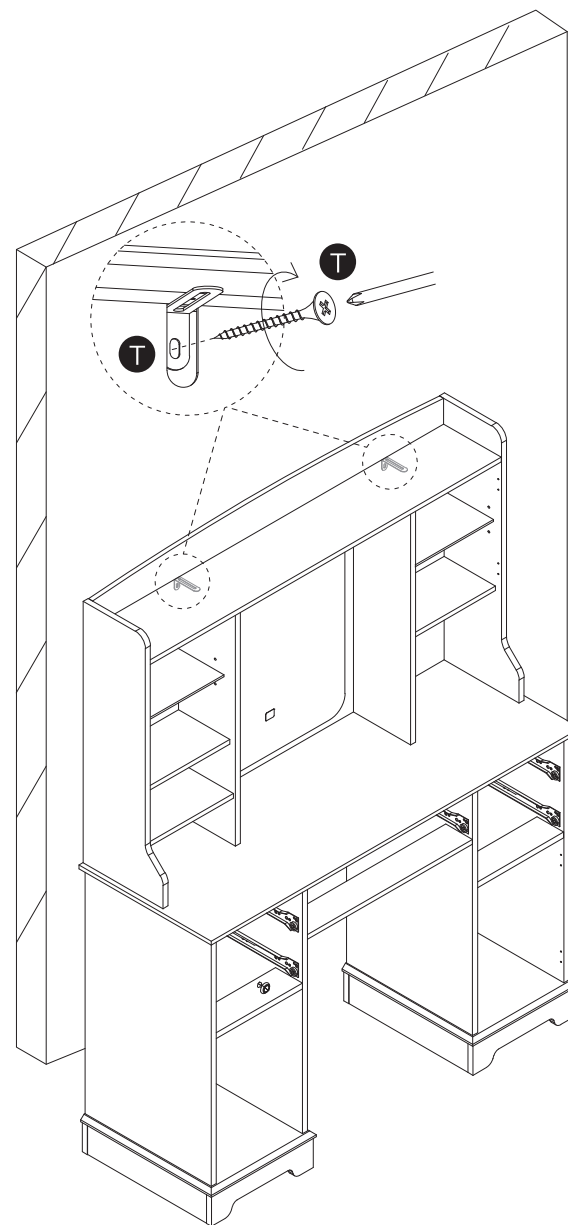
**Notice:**  
The height is adjustable via changing the installation hole of part **N**.



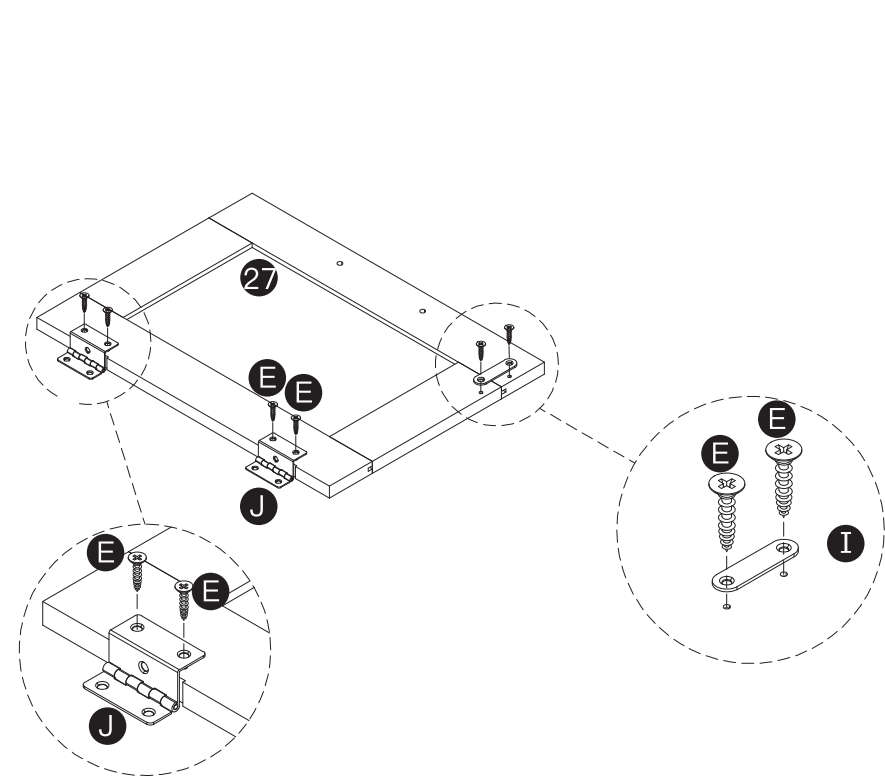
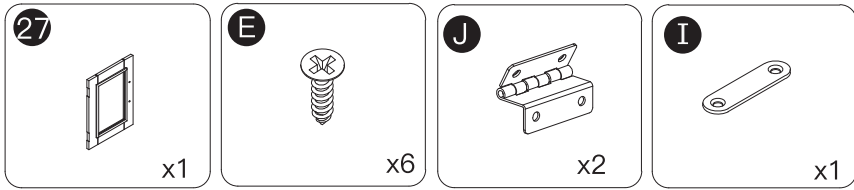
**Step 41** Drill two holes on a solid wall, then insert part **T**.



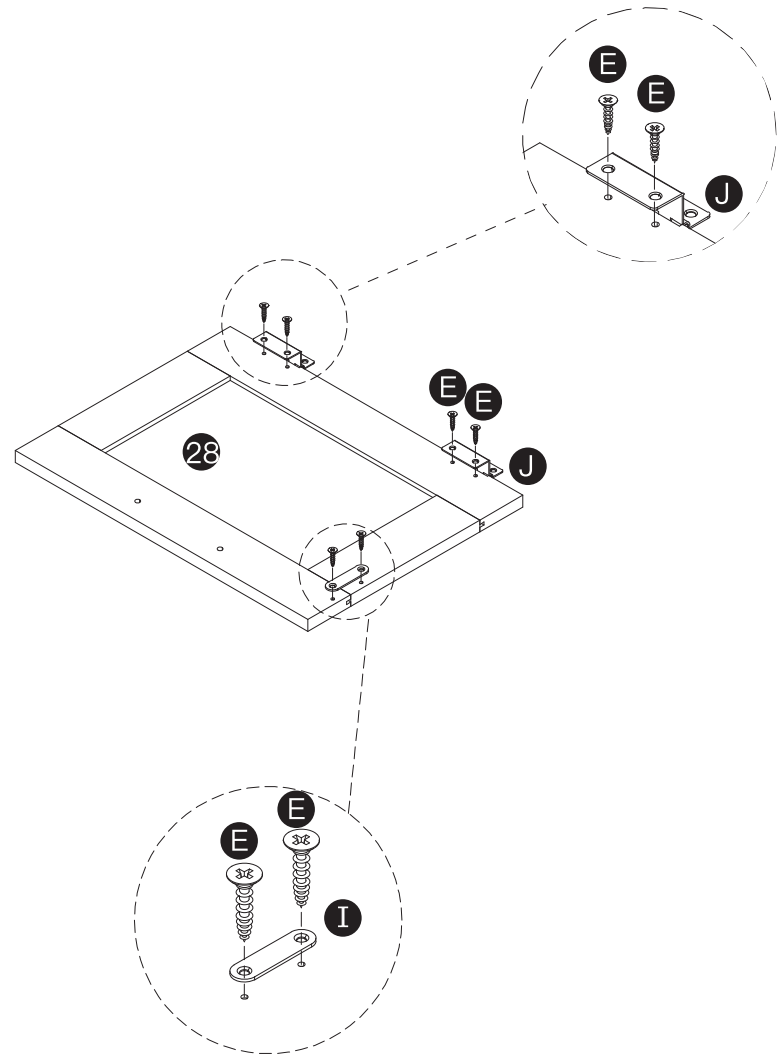
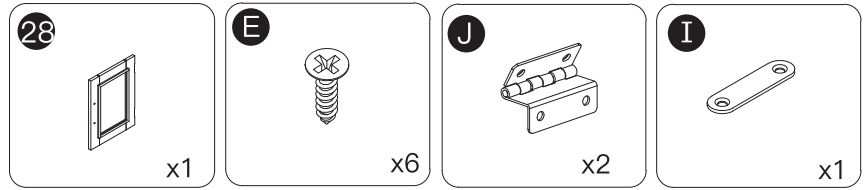
**Step 42** Tighten part **T** with part **T**.



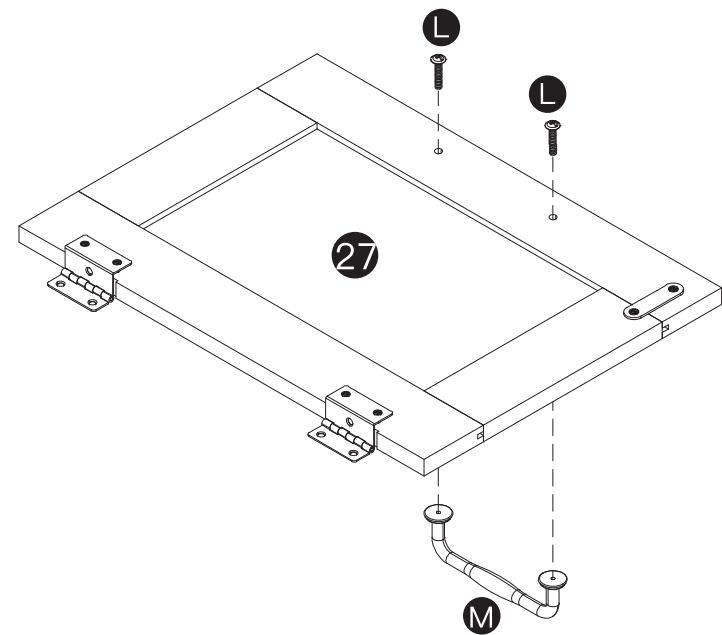
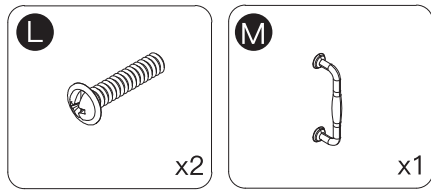
**Step 43** Install part **J** & **I** on part **27** with part **E**.



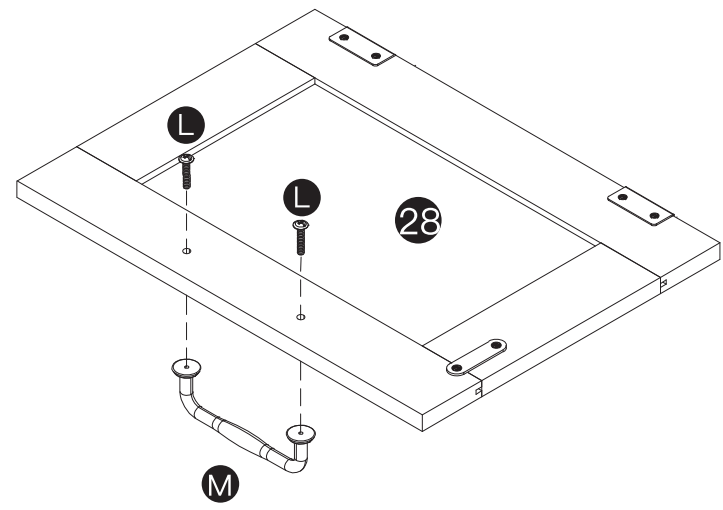
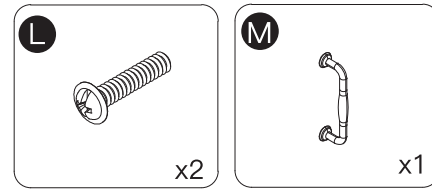
**Step 44** Install part **J** & **I** on part **28** with part **E**.



**Step 45** Install part **M** on part **27** with part **L**.

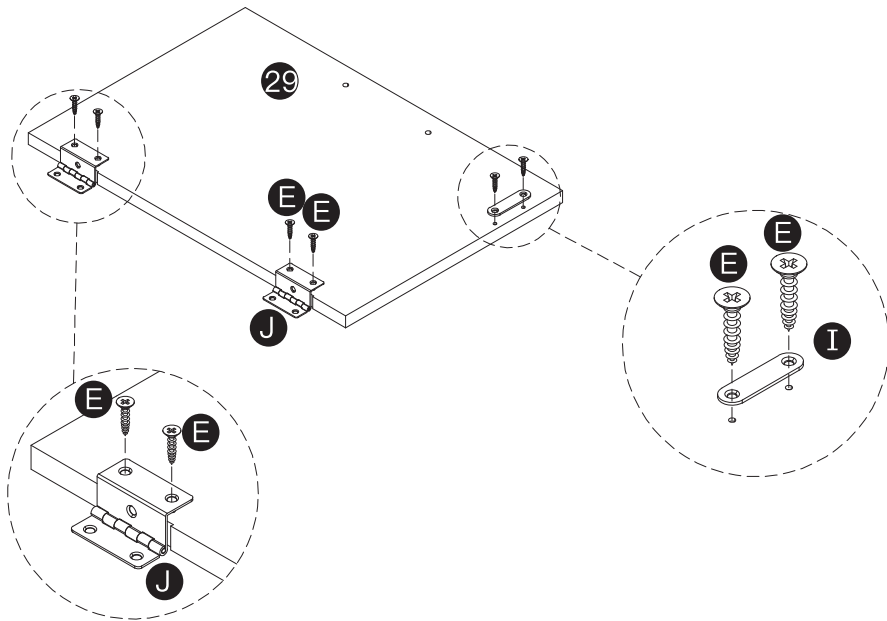
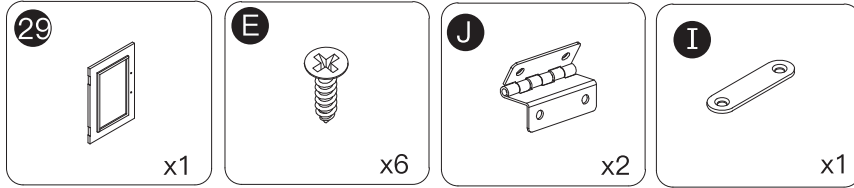


**Step 46** Install part **M** on part **28** with part **L**.



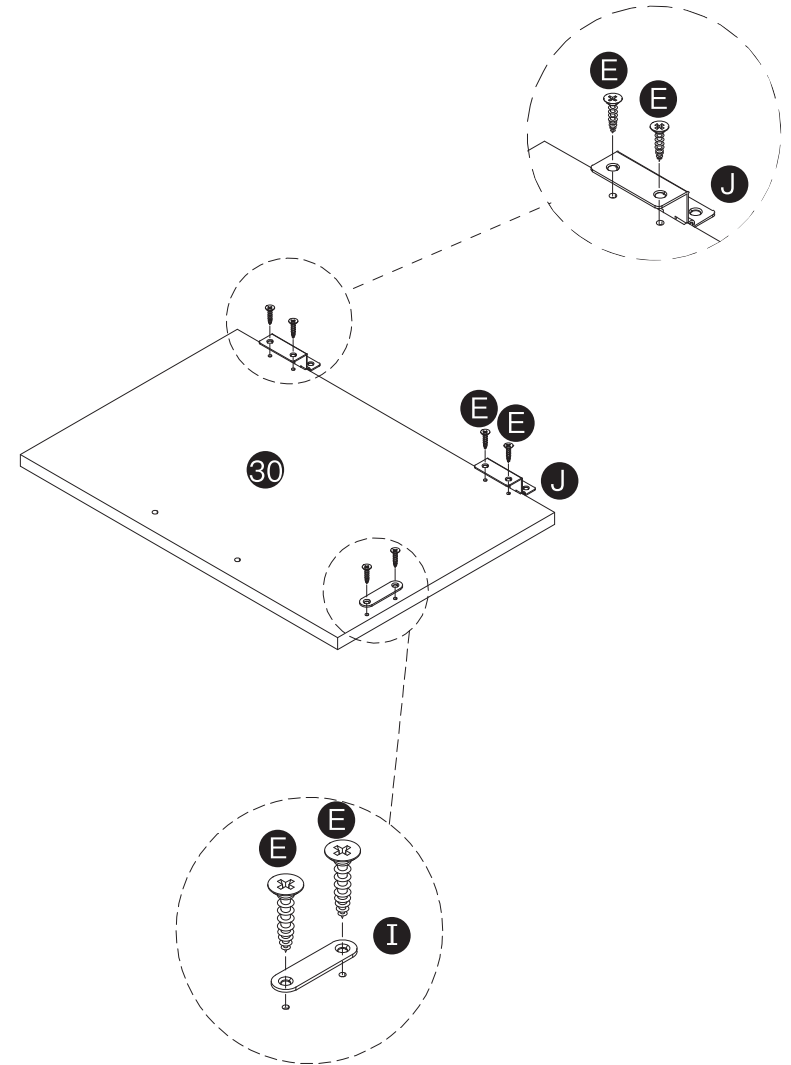
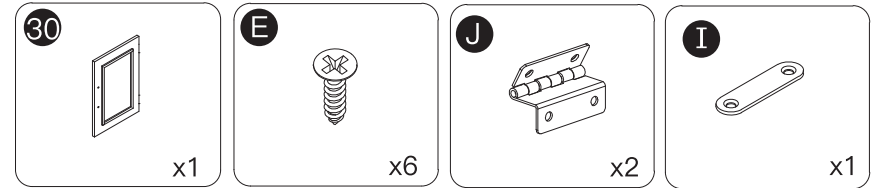
### Step 47

Install part **J** & **I** on part **29** with part **E**.

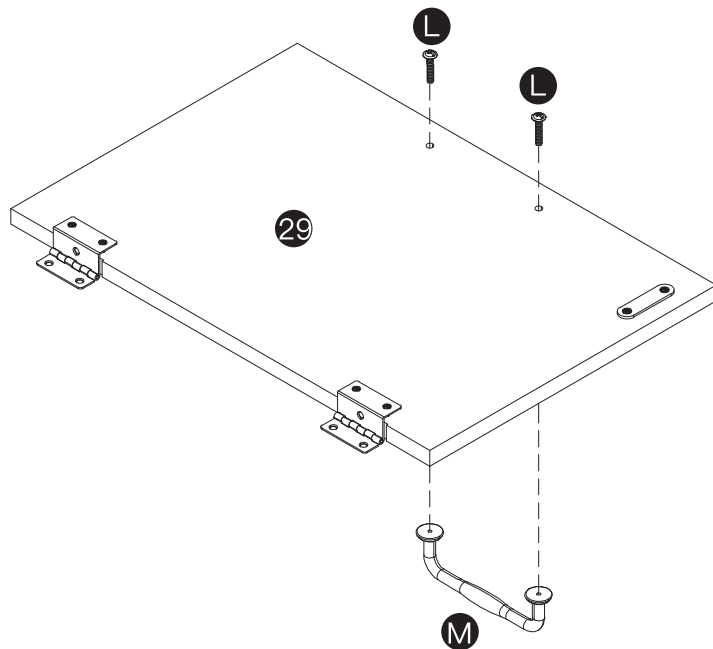
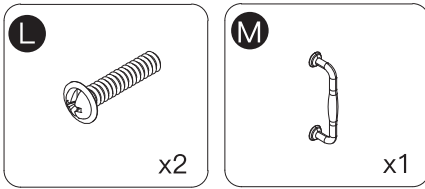


### Step 48

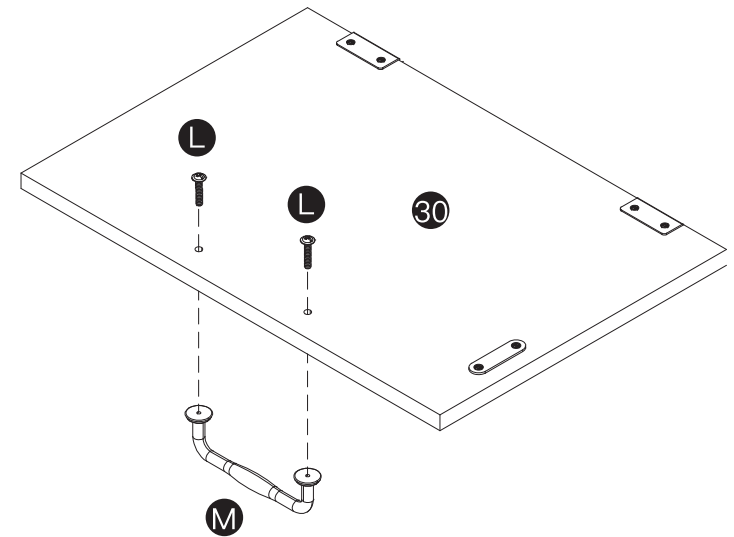
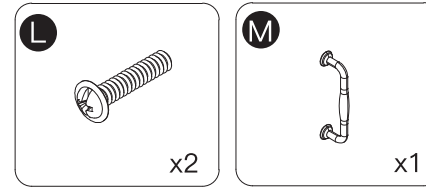
Install part **J** & **I** on part **30** with part **E**.



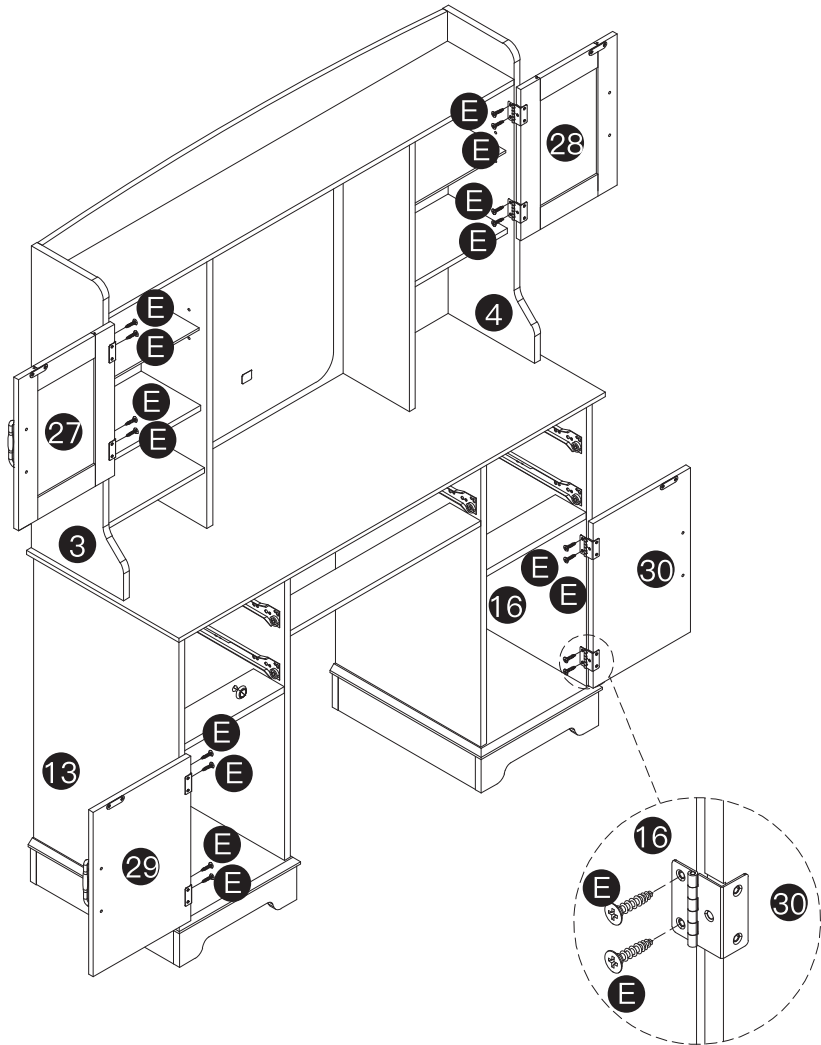
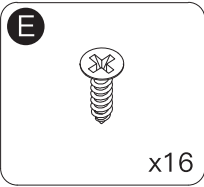
**Step 49** Install part **M** on part **29** with part **L**.



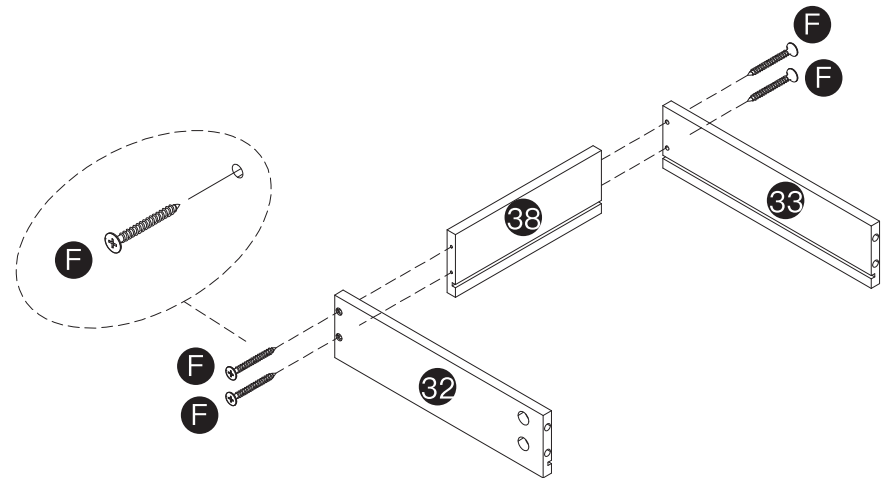
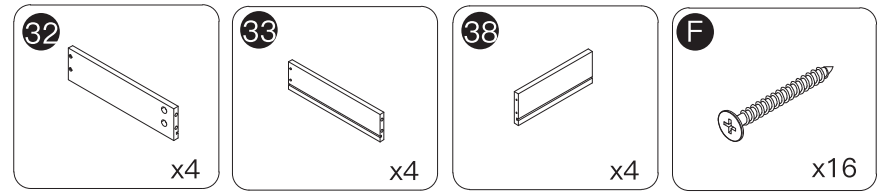
**Step 50** Install part **M** on part **30** with part **L**.



**Step 51** Install part 27, 28, 29 & 30 on part 3, 4, 13 & 16 with part E respectively.



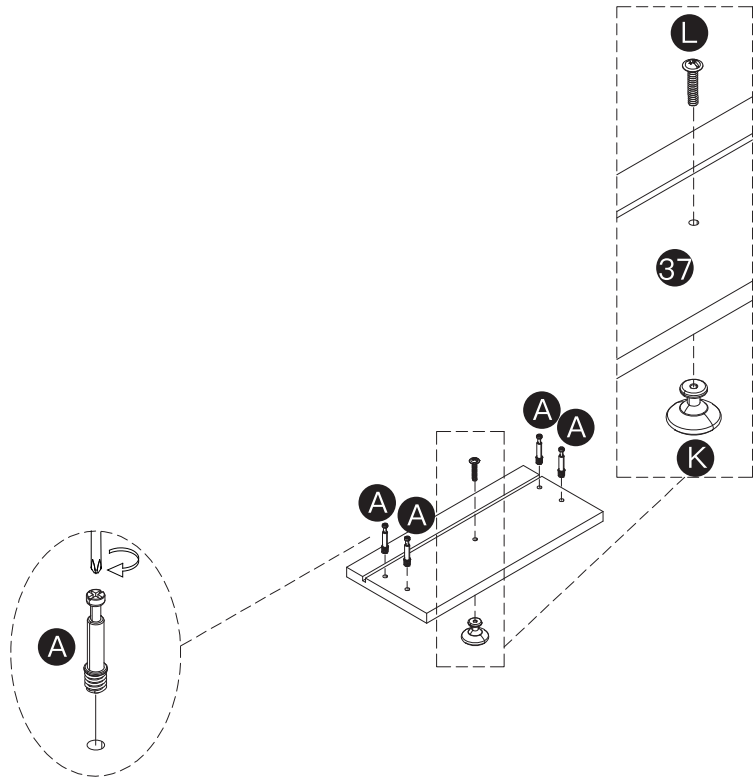
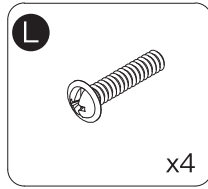
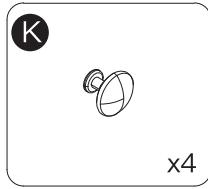
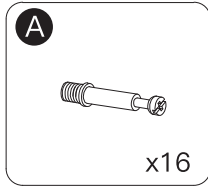
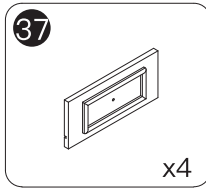
**Step 52** Connect part 32 & 33 with part 38 & F.



x4

### Step 53

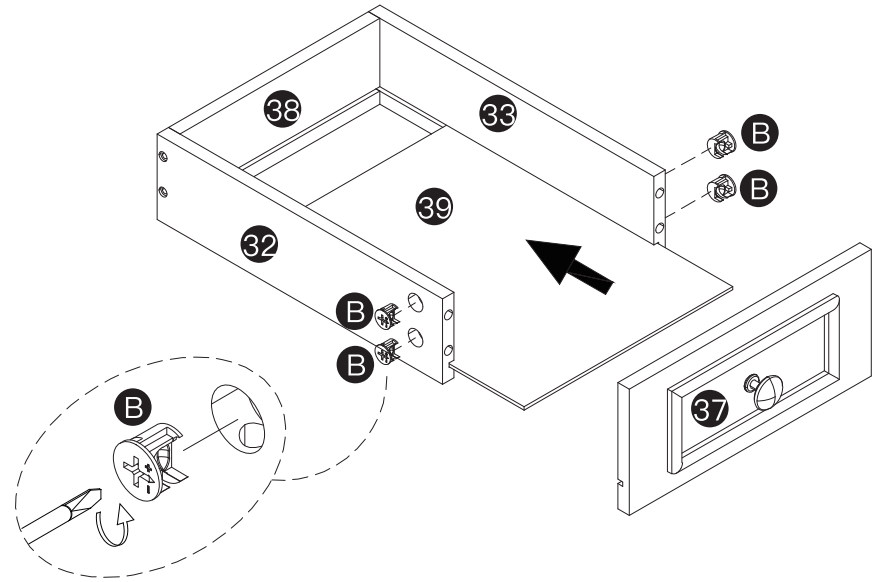
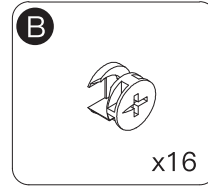
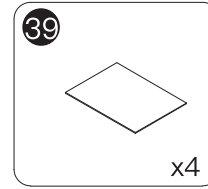
Install part **A** on part **37**.  
Install part **K** on part **37** with part **L**.



x4

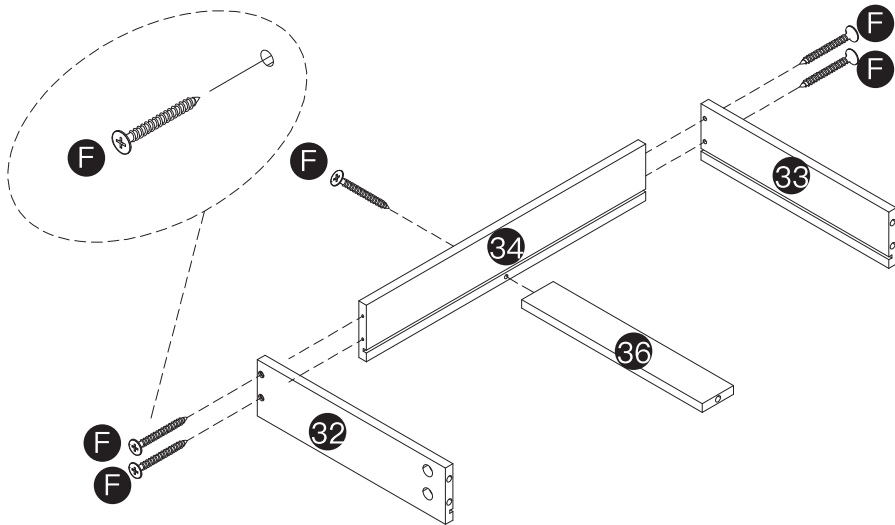
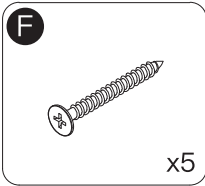
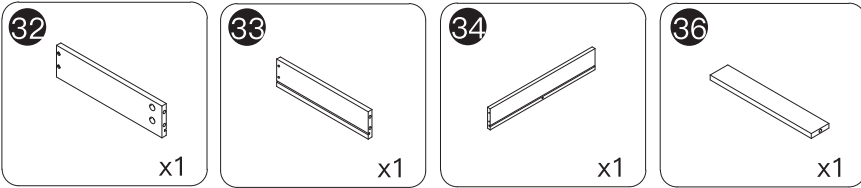
### Step 54

Insert part **39** into part **32**, **33** & **38**.  
Connect part **37** with part **32** & **33** with part **B**.

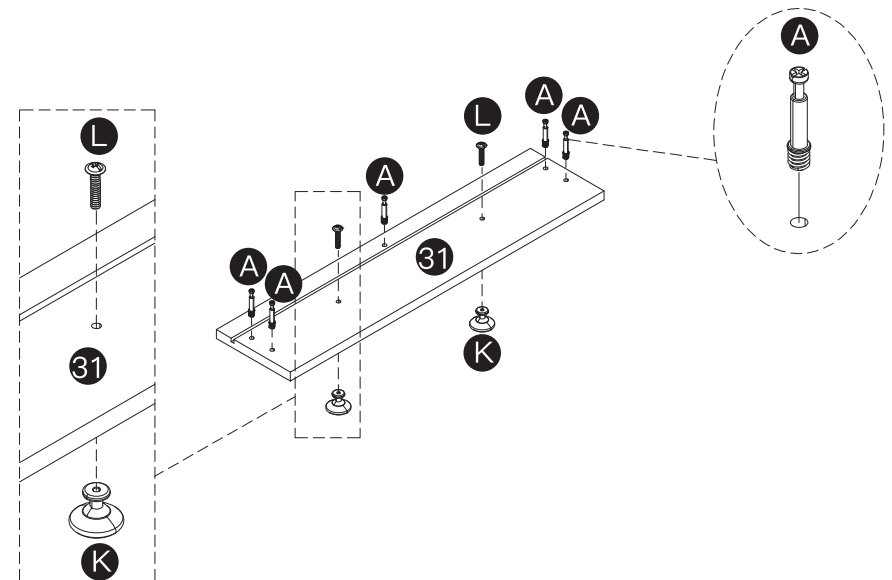
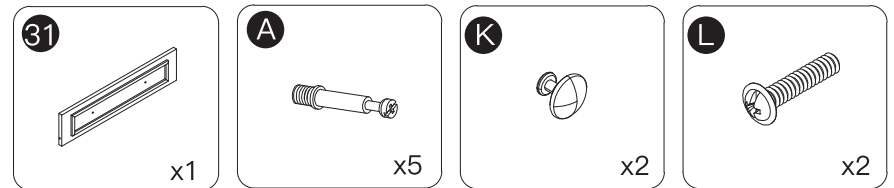


x4

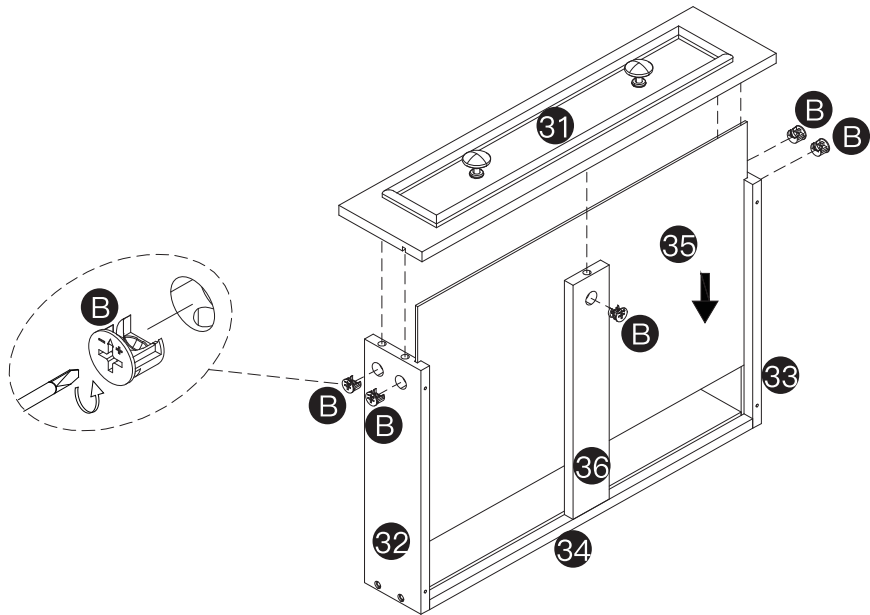
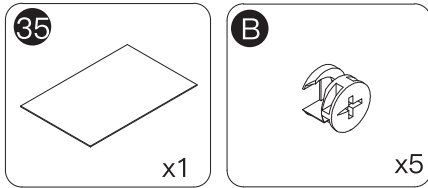
**Step 55** Connect part 34 with part 32, 33 & 36 with part F.



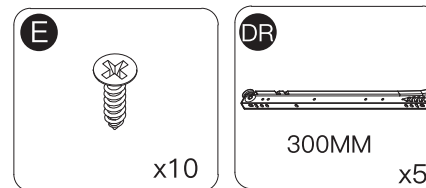
**Step 56** Install part A on part 31.  
Install part K on part 31 with part L.



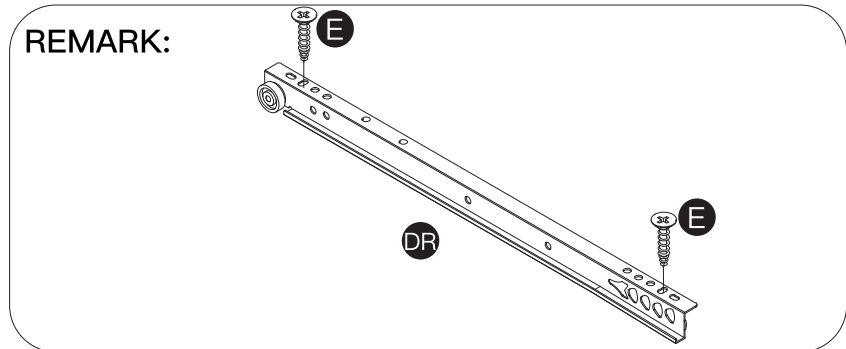
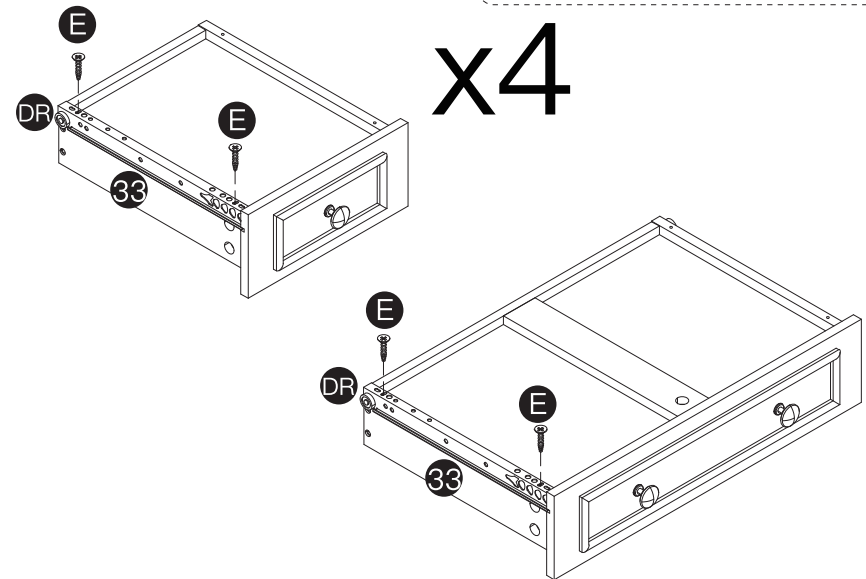
**Step 57** Insert part 35 into part 32, 33 & 34.  
Connect part 31 with part 32, 33 & 36 with part B.



**Step 58** Install part DR on part 33 with part E.

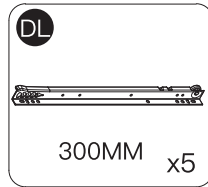
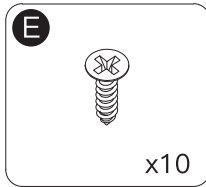


**Notice:**  
Please pay attention to the direction of the rails.



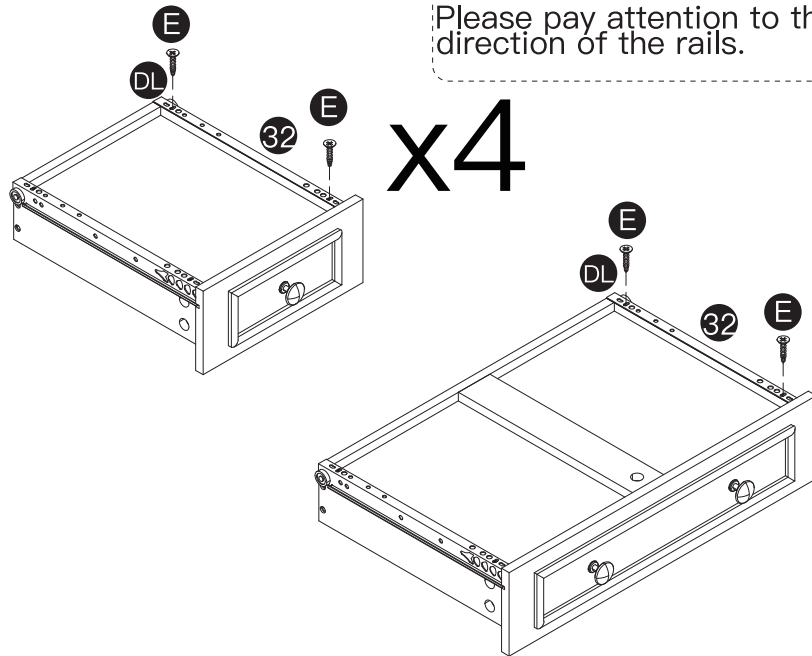
## Step 59

Install part **DL** on part **32** with part **E**.

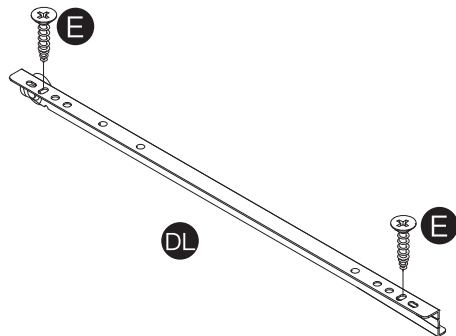


### Notice:

Please pay attention to the direction of the rails.

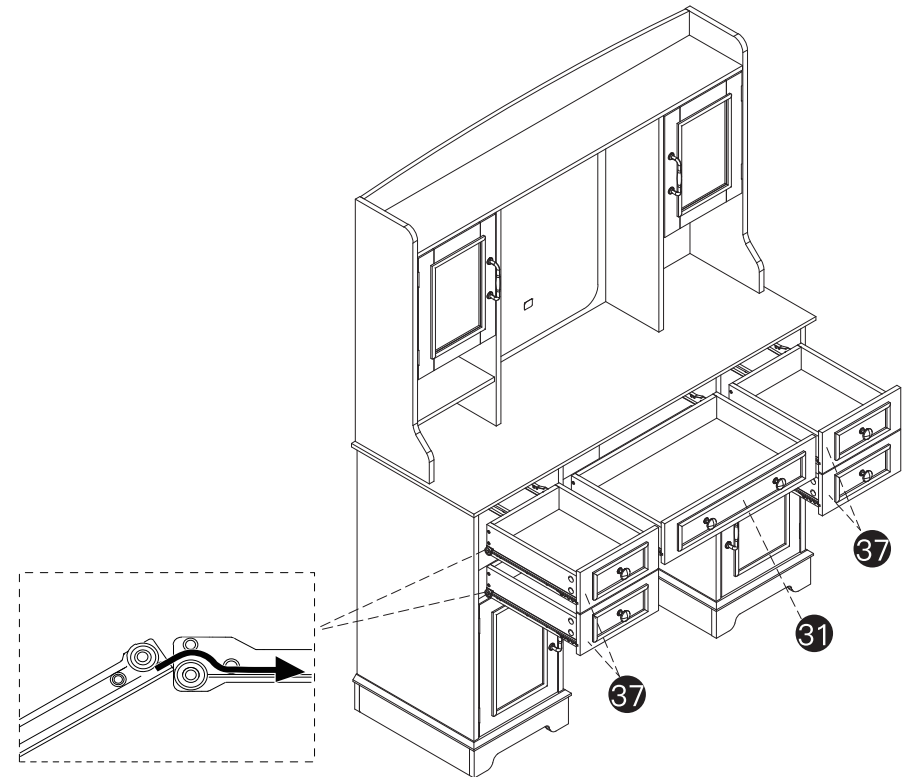


### REMARK:



## Step 60

Align and put all drawers in.



**Step 61** Install part 40 on part 16 with part E.

