

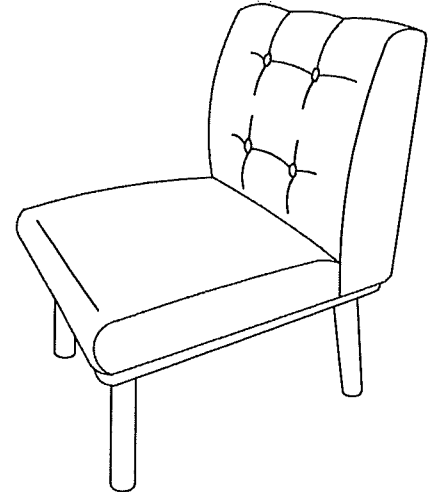
ASSEMBLY INSTRUCTIONS

CHAIR

ASSEMBLY REQUIREMENTS: 1-Person Assembly Assembly Time (Approximate): 45 Minutes

Thank you for purchasing our product!

Please refer and use this assembly instruction to assemble the product. Contact our customer service department in case there are any missing or damage parts or hardware.



We appreciate your business!

ASSEMBLY PREPARATION

1. Remove all packaging materials, staples and packing straps from the carton.
2. Refer to Parts List and Hardware List and ensure they are complete before you start assembling.
3. Place all wooden parts on a clean, flat and soft surface (e.g. carpet or rug) to prevent parts from getting scratched.

SAFETY PRECAUTION:

1. KEEP ALL HARDWARE PARTS OUT OF REACH OF CHILDREN.
2. DISPOSE PLASTIC PACKAGING MATERIAL IMMEDIATELY TO AVOID ANY RISK OF SUFFOCATION TO CHILDREN AND ANIMALS.

TIPS FOR ASSEMBLY:

1. Allow ample room for assembly and in close proximity to where product will be placed.
2. Assemble the product on a surface that does not scratch or damage the exterior gloss and finish of the furniture.
3. Please check all of the parts and quantities are included before assembly. Contact customer service for missing parts.
4. Identify all of the parts, hardware and quantities required for each step.
5. During assembly, do not over-tighten any fittings as this may cause damage.
6. DO NOT USE POWER TOOLS TO ASSEMBLE THIS PRODUCT.
7. Always place the product on a flat surface.
8. Do not sit or stand on the partially assembled product; only use the product for which it is intended.




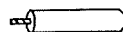
CARE AND MAINTENANCE

- Use a slightly damp cloth to clean the product. Do not use bleach or abrasive cleaning material.
- Check all the fittings periodically and re-tighten as necessary. Do not use the product if any of the parts is damaged or broken.
- Never allow any kind of liquid to remain on your furniture. Absorption can cause wood to warp or delaminate.
- Do not place hot items (e.g. hot drinks) directly onto the wood surface.
- Do not drag and/or pull the furniture..

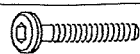



This product is for indoor and household use only - not for commercial use.

CHAIR

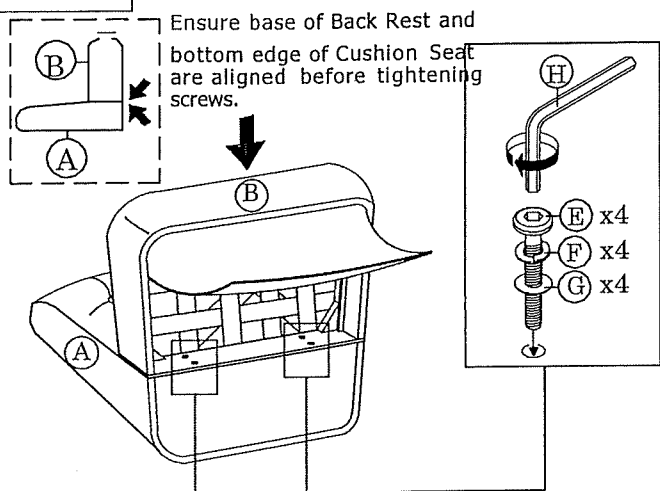
PARTS LIST

A	BACK REST		1pc
B	CUSHION SEAT		1pc
C	SEAT BOTTOM PANEL		1pc
D	SOFA LEG		4pcs

HARDWARE LIST

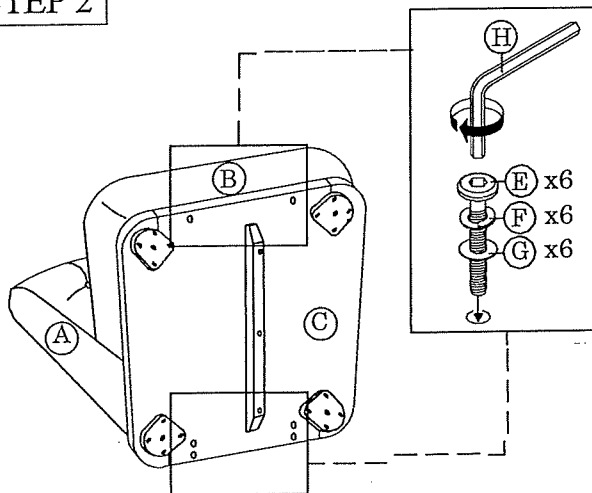
E	JCBC SCREW M6 x 45MM		10pcs
F	SPRING WASHER M6(S)		10pcs
G	FLAT WASHER M6 x 19 x 1.0		10pcs
H	M4 ALLEN KEY		1pc

STEP 1



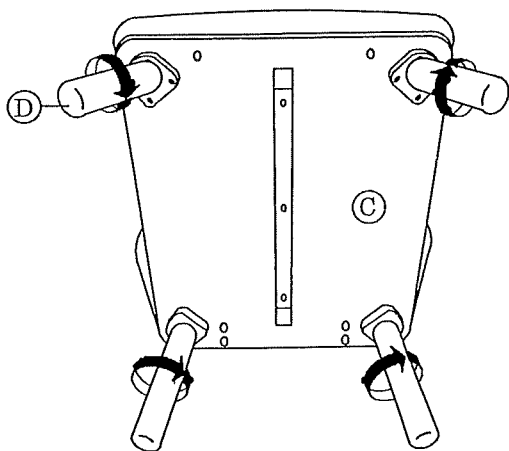
- a) Lay Back Rest (A) flat down as shown on a material that does not damage the furniture.
- b) Position Cushion Seat (B) perpendicular to (A) at the base and align the screws holes on (A) and (B).
- c) Insert JCBC Screw (E) fitted with Spring Washer (F) and Flat Washer (G). Use Allen Key (H) to drive (E). Do not tighten (E) completely until all 4 screws are in place and ensure the base of Back Rest and bottom edge of Cushion Seat are aligned.

STEP 2



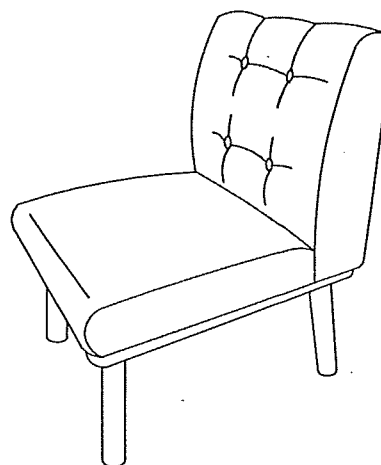
- a) Place Seat Bottom Panel (C) to align to the bottom of Cushion Seat (B) and Back Rest (A).
- b) Fasten (C) to (B) & (A) by using JCBC Screw (E) fitted with Spring Washer (F) and Flat Washer (G). Use Allen Key (H) to drive (E). Do not tighten (E) completely until all the screws are screwed onto (B) and (A).

STEP 3



Install Sofa Leg (D) by inserting and screwing-in the the screw thread end of the leg to the screw holes on the mounting plate. Turn the leg in a clockwise direction until the leg fits snugly onto the mounting plate.

STEP 4



Assembly of the sofa is complete.