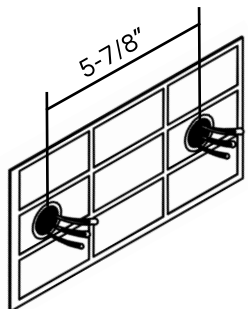


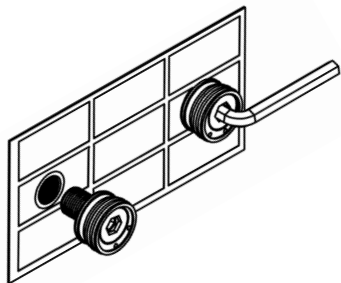
# PULSAR 06 Wall Mount Outdoor Shower Installation Instructions

1



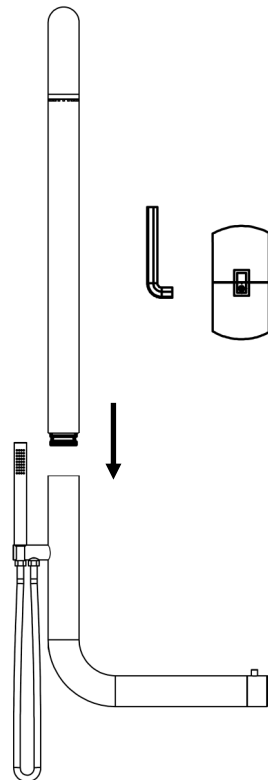
Install 1/2" hot & cold supplies at 42" height from the finished floor and 5-7/8" apart on center. Use the included NPT to G thread adapters and make sure the end of the adapter does not protrude from the finished wall.

2



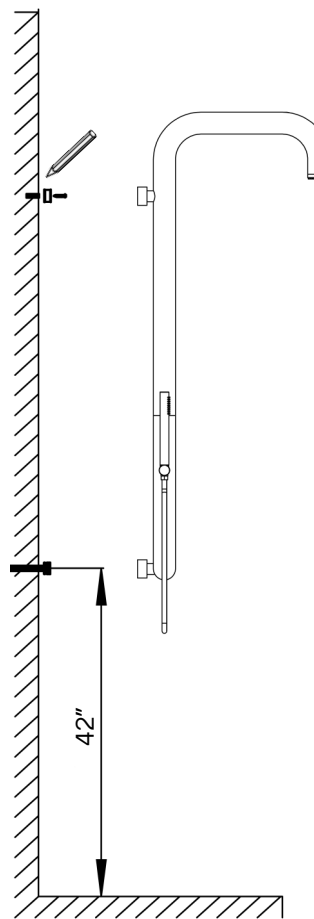
Insert the adjustable brass connectors and tighten until they are flush with the finished wall.

3



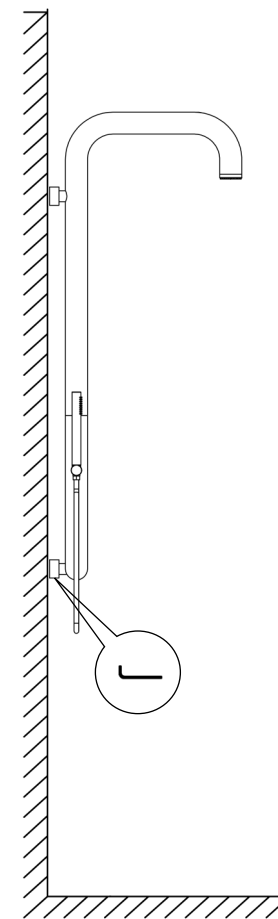
Assemble the fixture by inserting the upper part into the lower part. Align the indicator on the back of the fixture and tighten the set screw.

4



Hold the assembled fixture in place and mark the position of the upper bracket. Then, install the upper bracket.

5



Install the fixture and tighten the (3) set screws.