

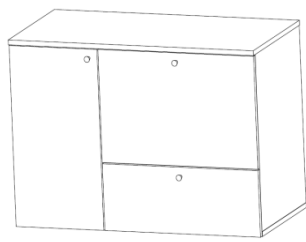




## CARE AND MAINTENANCE

Spot clean using a mild water-free solvent. Only a professional cleaner should undertake a complete overall cleaning.  
The use of steam or water-based cleaners may cause excessive shrinking or staining.

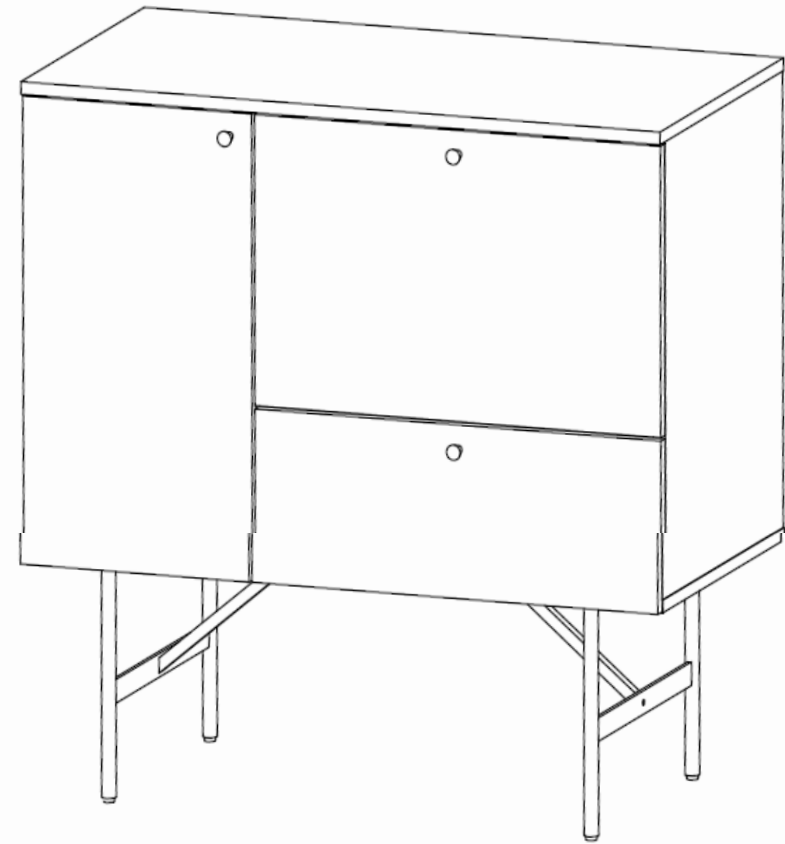
## NOTICE







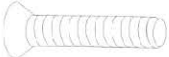
- \* Please make sure that you have all parts indicated before you begin assembly of this item
- \* This item should be assembled on a soft surface to prevent scratching the finish during assembly
- \* This item may require periodic tightening

### Part List and Hardware List

PIECE	DESCRIPTION	PICTURE	QUANTITY
A	body		1X
B	metal leg		2X
C	connecting bar		2X
D	big shelf		1X
E	small shelf		1X

**DIMENSIONS: 35.5"L x 18"D x 36"H**



F	anti-tipping hardware pack		1X
HW1	bolt 6×1×14mm		10X
HW2	bolt 6×1×8mm		2X
HW3	allen key		1X
HW4	shelf supporter		12X
HW5	handle		3X
HW6	bolt 4×0.7×20mm		3X

WEIGHT CAPACITY: 275 LBS

**WARNING: DO NOT STAND ON Cabinets**  
**WARNING: DO NOT OVER TORQUE**

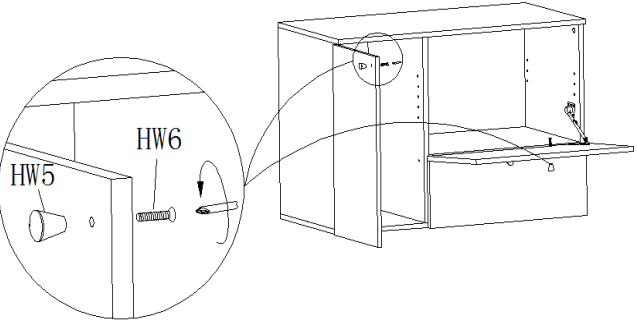
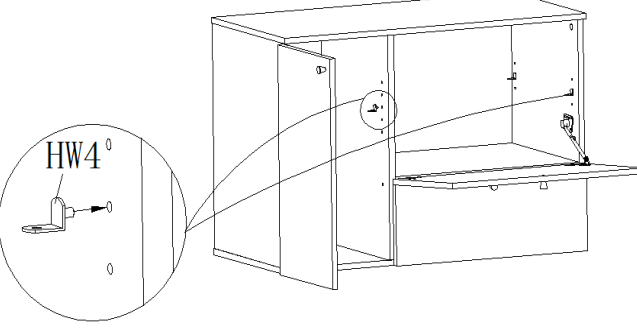
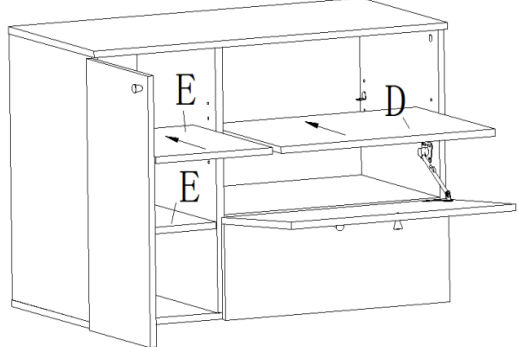
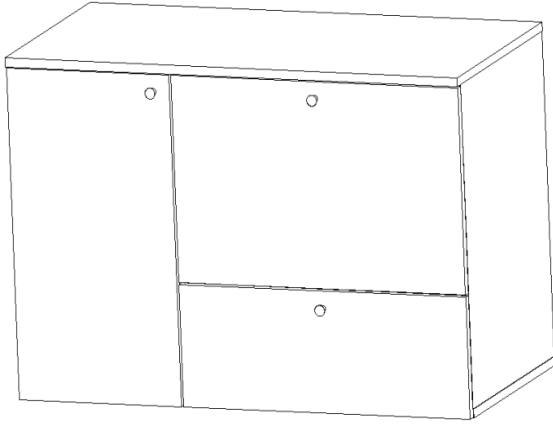
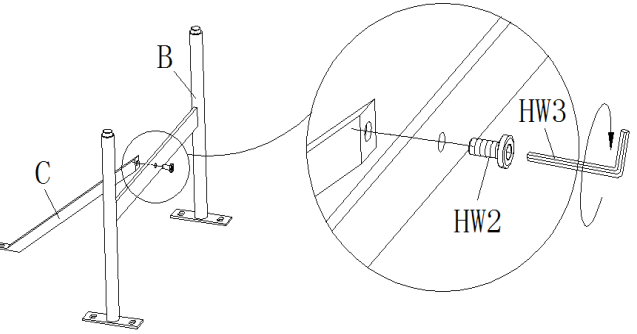
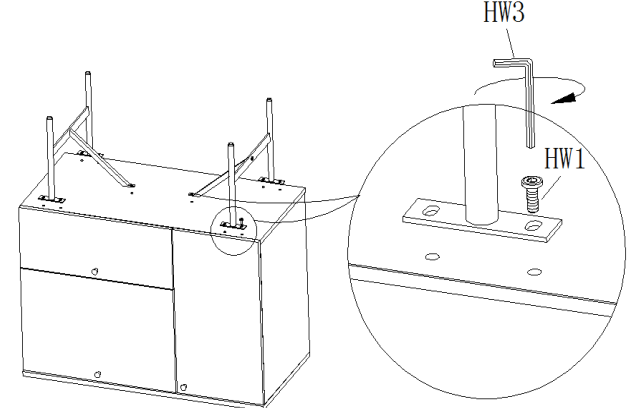
## PREPARATION

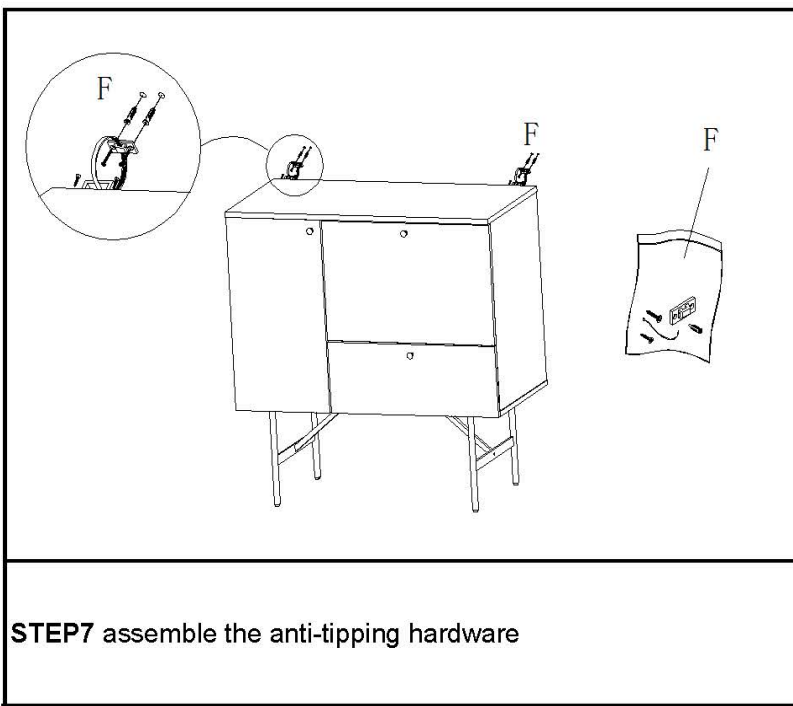
Before beginning assembly of product, make sure all parts are present. Compare parts with package contents list and hardware contents list.

If any part is missing or damaged, do not attempt to assemble the product.

Estimated Assembly Time: 15 minutes.

Tools Required for Assembly (included): Allen Key

		
<p><b>STEP1</b> assemble the handle</p>	<p><b>STEP2</b> assemble HW4 part</p>	<p><b>STEP3</b> assemble the shelf</p>
		
<p><b>STEP4</b> body assembly finished</p>	<p><b>STEP5</b> assemble the connecting bar into the metal leg</p>	<p><b>STEP6</b> assemble the metal legs with the body</p>



**STEP7** assemble the anti-tipping hardware