

A

1PC



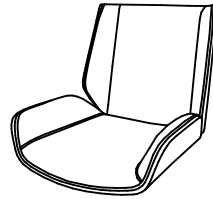
B

1 PC



C

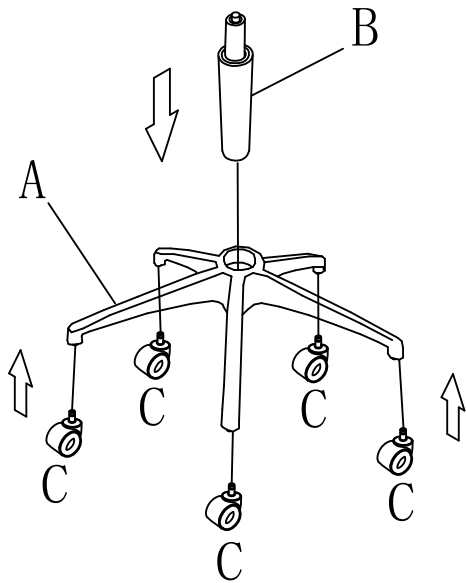
5 PCS



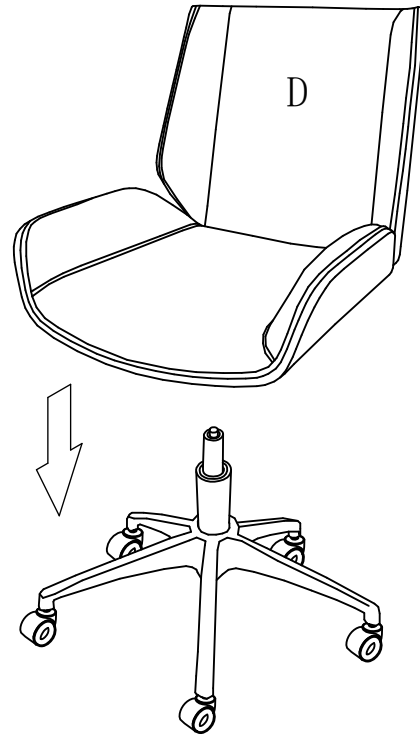
D

1 PC

1:



2:



Always lay components on  
A clean, soft-cushioned  
surface during assembly.