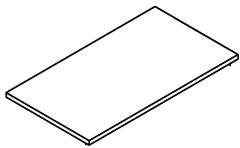
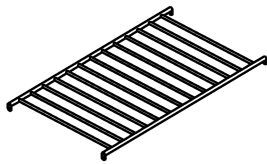
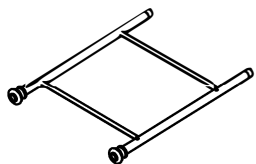
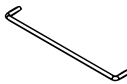
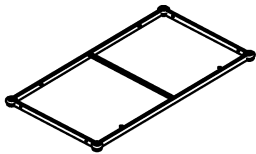

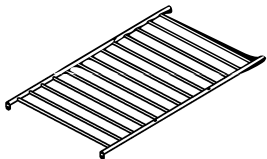


ASSEMBLY INSTRUCTION

KITCHEN ISLAND (COUNTER)

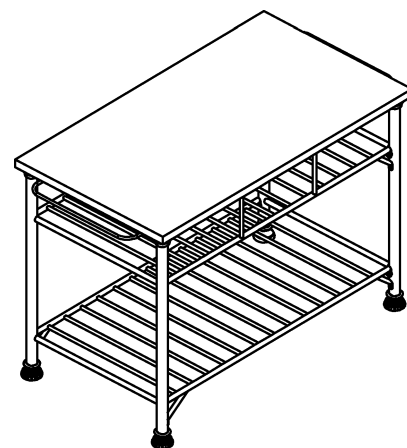
Thank you for purchasing this quality product. Be sure to check all packing material carefully for small parts which may have come loose inside the carton during shipment. Separate, identify and count all parts and metal hardware. Compare with parts list to be sure all parts are present. If any part(s) are missing or damaged, please contact your local furniture dealer. For efficient and speedy service, please indicate the model number and code letter of part(s) needed.

*** Do not fully tighten screws until fully assembled ***

COMPONENT PARTS					
DESCRIPTION	PART NAME	Q'TY(PCS)	DESCRIPTION	PART NAME	Q'TY(PCS)
①	MARBLE TOP 	1	⑤	BOTTOM SHELF 	1
②	SIDE FRAME 	2	⑥	HANDLE 	2
③	APPRON FRAME 	1	⑦	MIDDLE STRETCHER 	4
④	MIDDLE SHELF 	1			

HARDWARE REQUIRED:

- (A)  BOLT Ø1/4*1/2" - 20PCS
- (B)  BOLT Ø1/4*5/8" - 8PCS
- (C)  BOLT Ø1/4*1-3/4" - 4PCS
- (D)  COUNTERSUNK BOLT Ø1/4*1-3/4" - 12PCS
- (E)  FLAT WESHER Ø5/8" - 4PCS
- (F)  ALLEN KEY 4MM - 1PC
- (G)  SUPPORTING BAR - 8 PCS



Attention:

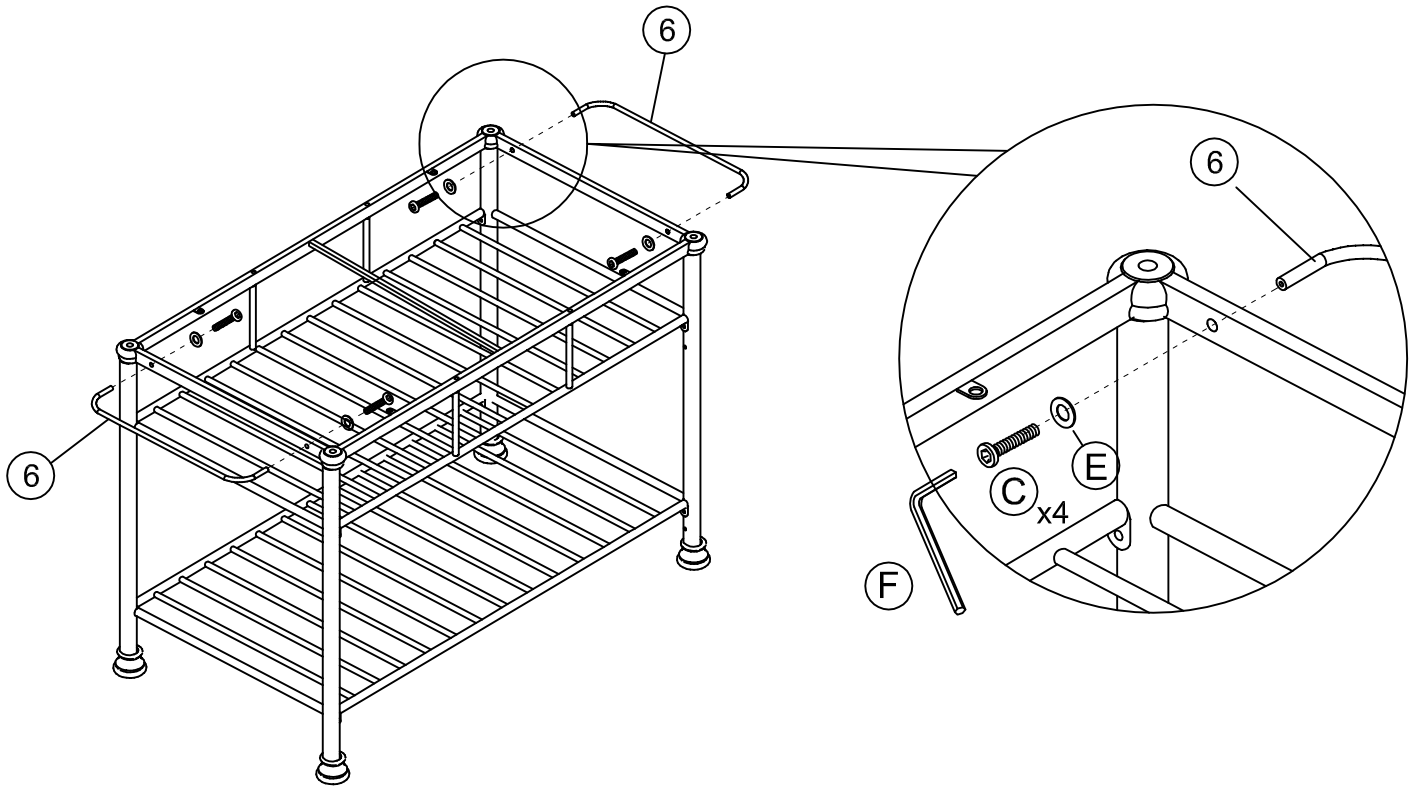
*** Mattresses not included.

*** Some number parts listed on the instruction sheet may not be in parts bag as they may already be assembled.

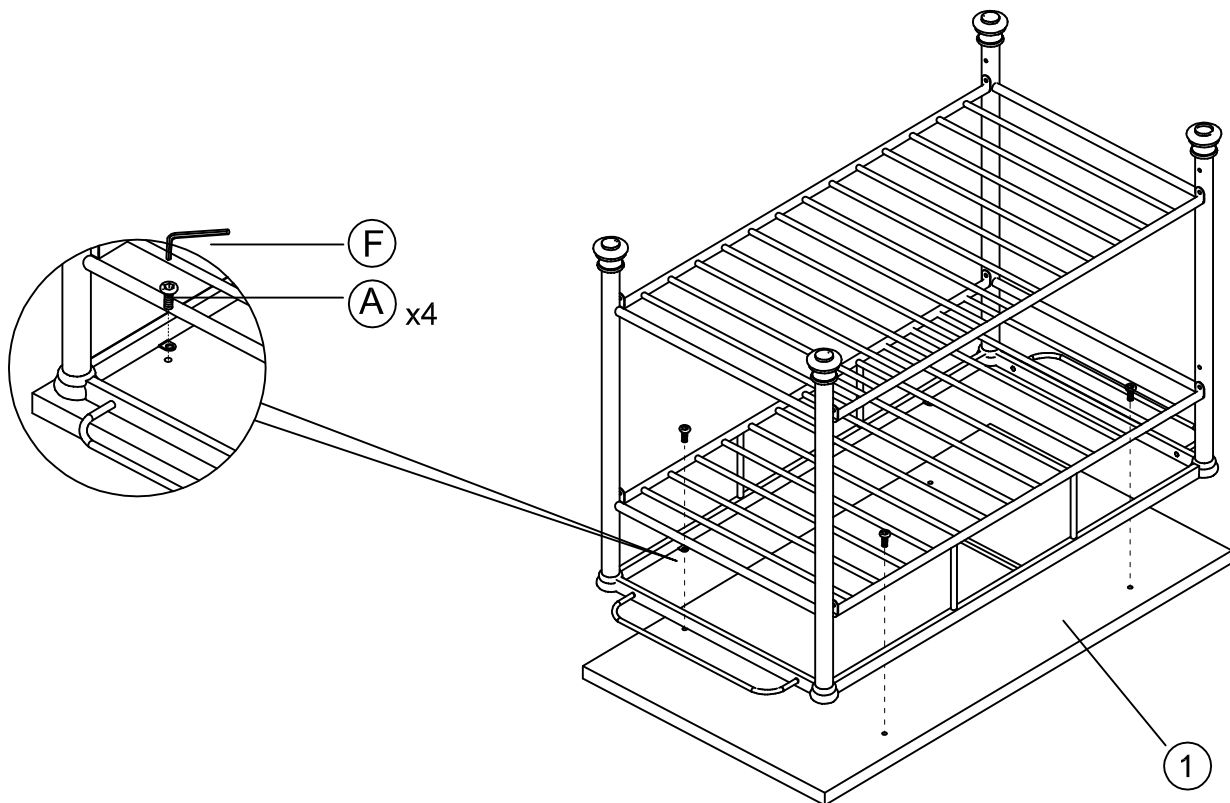
Carefully check parts and packing materials prior to ordering replacements.

How to Assemble:

STEP 3:



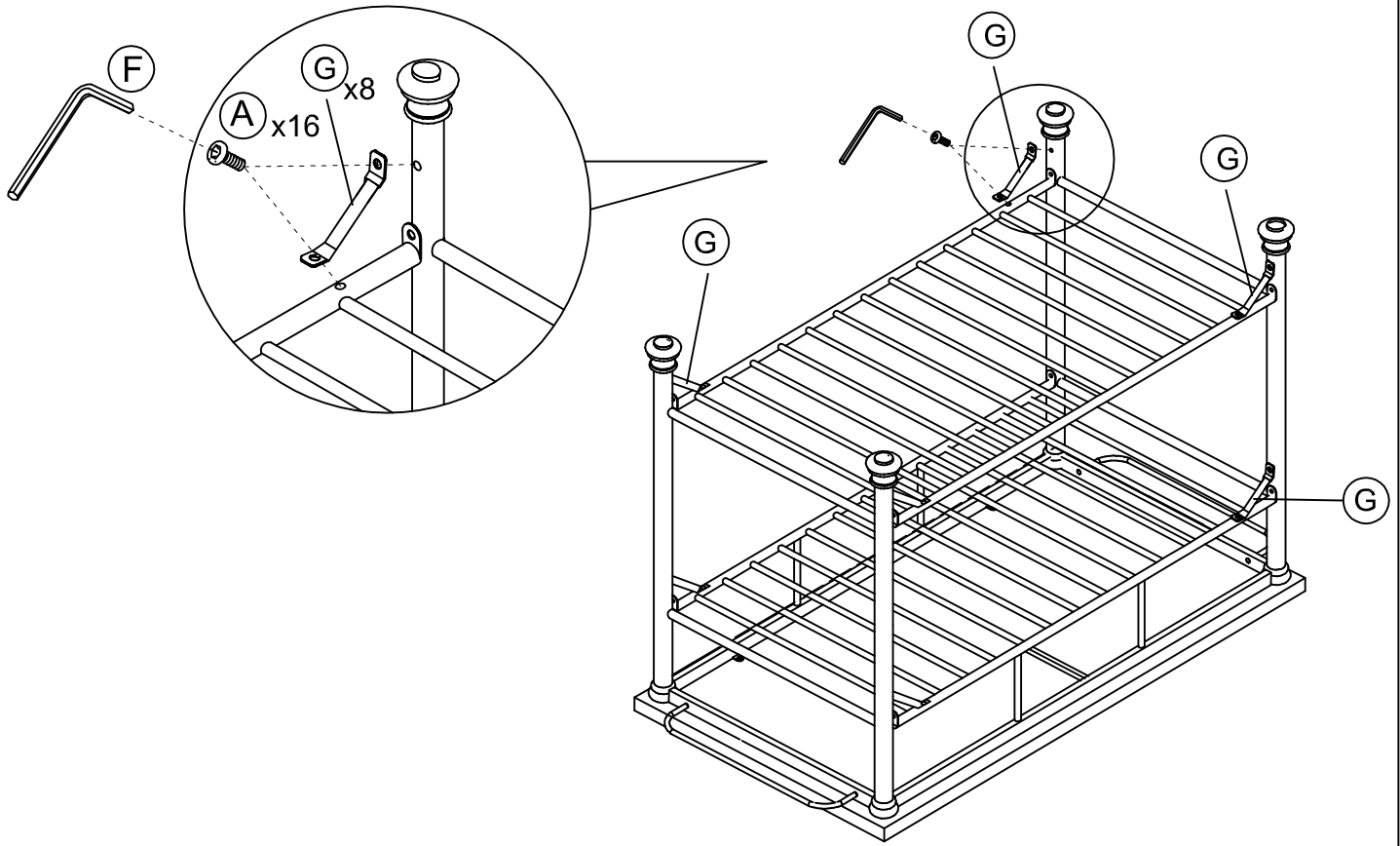
STEP 4:



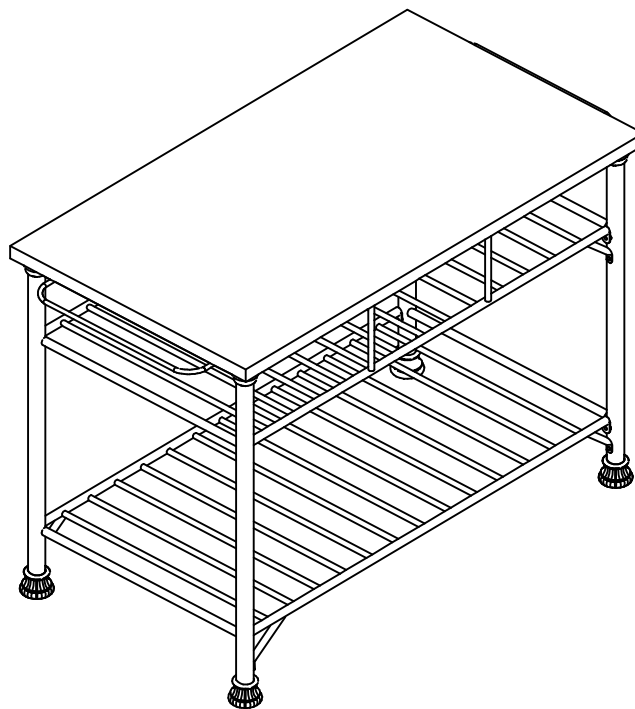
ASSEMBLY COMPLETED!

How to Assemble:

STEP 5:



STEP 6:



ASSEMBLY COMPLETED!