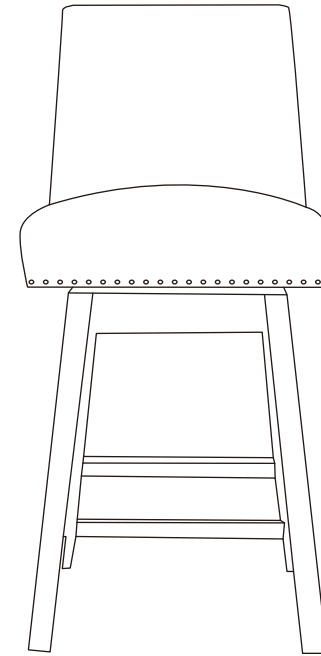


WARRANTY

We strive to offer high-quality products, and we also try our best to satisfy each and every customer that orders from us with product or service as needed. We provide 1 year warranty starting from the time you receive the item. Each customer must provide a record of their order such as the order number, or item receipt for any items that are out of the warranty period, you may also still receive replacement parts by purchasing them with our company if they are available.

Assembly Instructions



ITEM NO. E022-001-001

NOTE: Please read these instructions carefully before starting assembly



Around 10 MIN ASSEMBLY

MAINTAINANCE AND WARNING

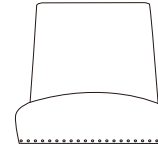
- Keep furniture away from heat sources.
- Do not clean furniture with harsh cleaner or polishes. Do not use detergents, Solvents, abrasives, spray packs or leather cleaner. Use non-color mild soap with warm water to clean spills(Mix 1:10 soap to water)
- Do not place furniture under direct sunlight, material will possibly fade over time.
- Do not use on site dry Cleaning machine. Children should not climb or jump on the furniture.
- Do not write on furniture that is not protected by a padded barrier .



Weight Limitation
250LBS

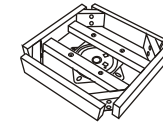
PARTS LIST1

A*1



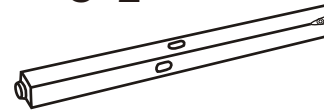
BACK & SEAT

B*1



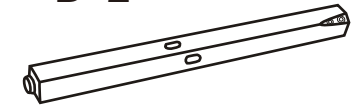
WOOD BASE

C*2



LEG

D*2



LEG

E*2



STRETCHER

F*2



STRETCHER

HARDWARE

LIST

①*8



M8x65mm

Bolt

②*4



M6x25mm

Bolt

③*8



M8

S-Spring

④*8



M8/φ 22mm

Flat washer

⑤*8



M4X50mm

⑥*1



M8

⑦*1



M6

SPARE

①*1



M8x65mm

Bolt

②*1



M6x25mm

Bolt

③*1



M8

S-Spring

④*1



M8/φ 22mm

Flat washer

⑤*1

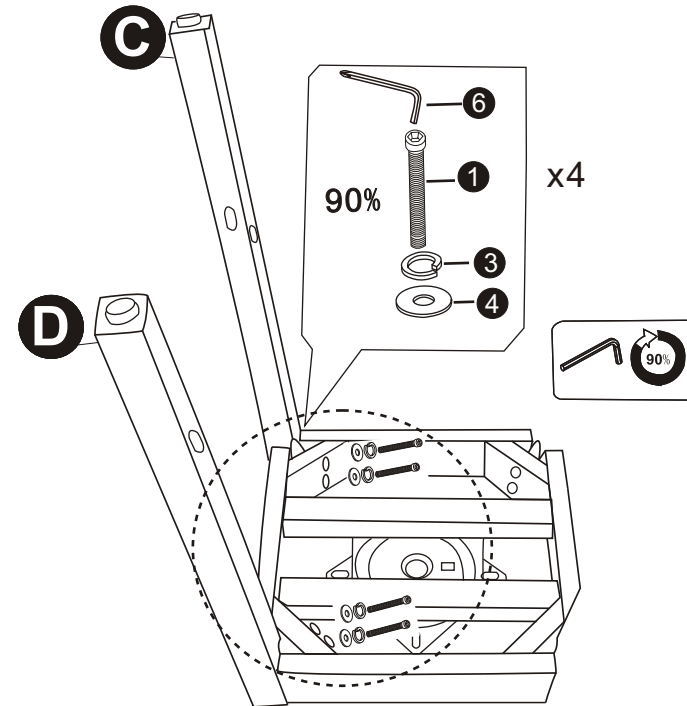


M4X50mm

AMMEMBLY

INSTRUCTION

STEP 1:

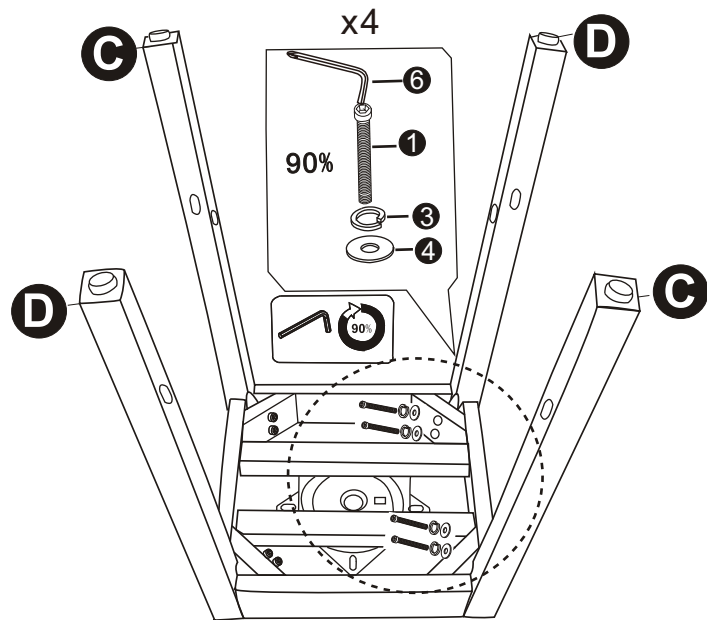


Please insert the leg (C)(D) exactly as picture show .
Do not tighten bolts until completely assembled.

AMMEMBLY

INSTRUCTION

STEP2:

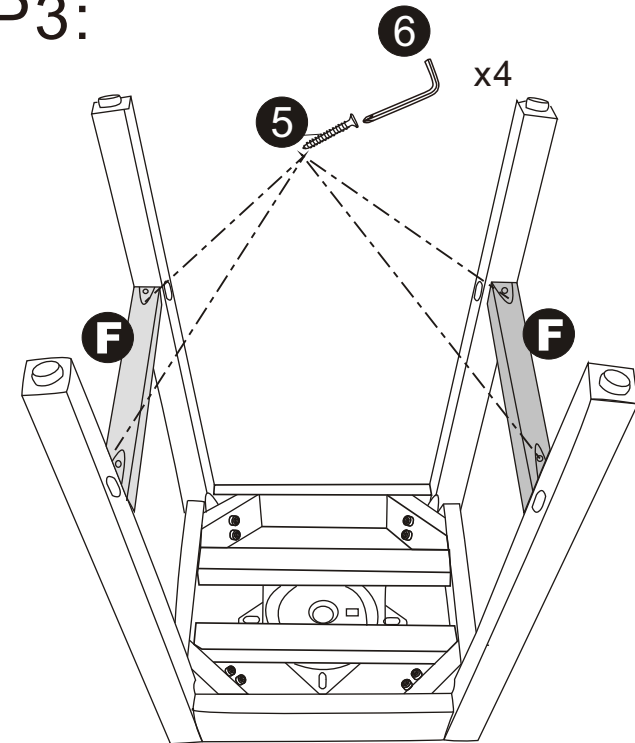


Please insert the leg (C)(D) exactly as picture show .
Do not tighten bolts until completely assembled.

AMMEMBLY

INSTRUCTION

STEP3:

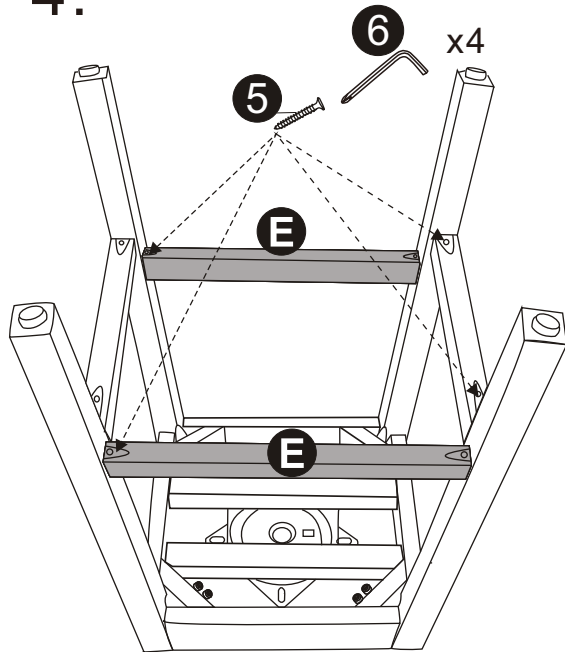


Insert Stretcher (F) exactly as picture show .
Do not tighten bolts until completely assembled.

AMMEMBLY

INSTRUCTION

STEP4:

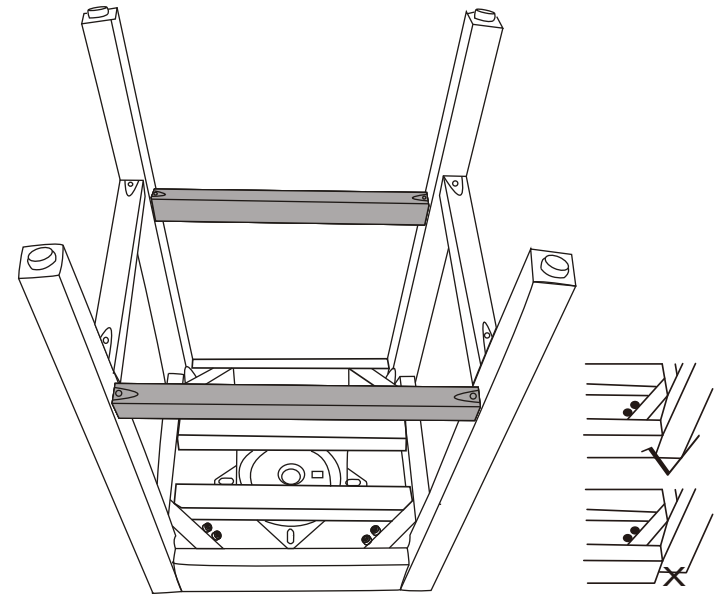


Insert Stretcher (E) exactly as picture show .
Do not tighten bolts until completely assembled.

AMMEMBLY

INSTRUCTION

STEP5:

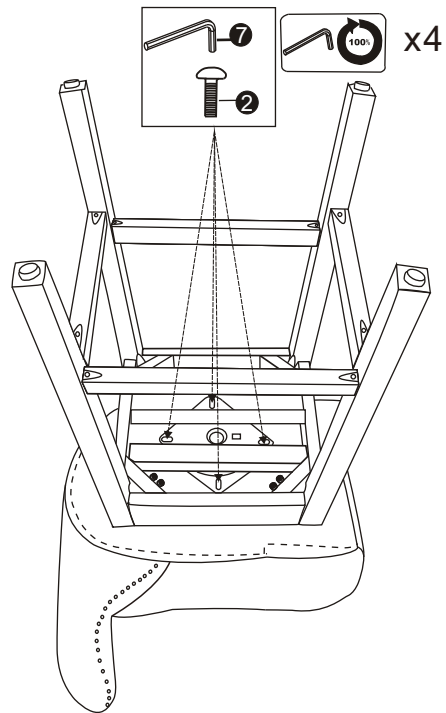


Adjust the legs up or down to keep the legs & the wood
frame at the same level.
Then tighten all bolts 100%.

AMMEMBLY

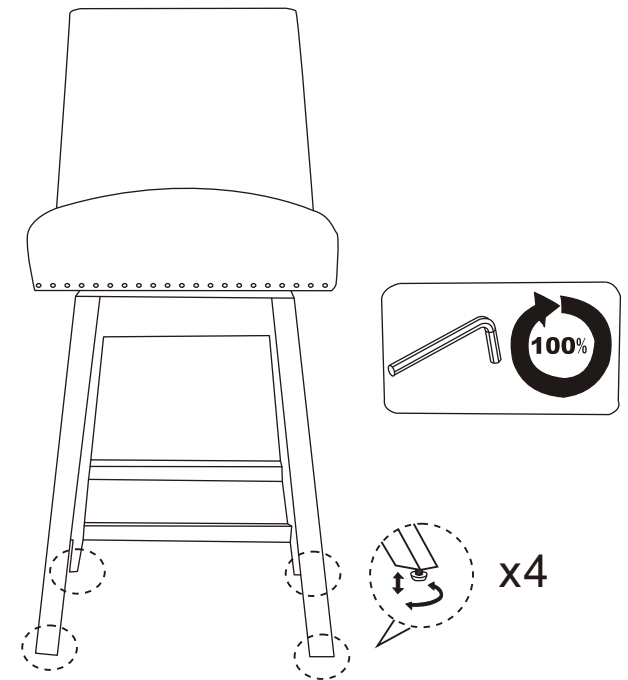
INSTRUCTION

STEP6:



Assemble leg & chair as picture show.

STEP7:



Assemble Finished.

Adjust leveler according to ground level.