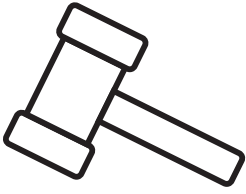


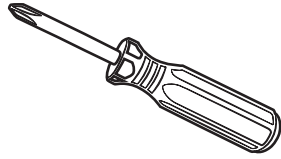
USER MANUAL

▼
CABINET D

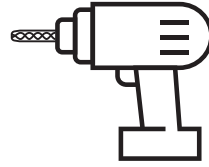
TOOLS REQUIRED



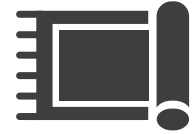
Phillips screwdriver
(Not included)



Hammer
(Not included)



Drill
(Not included)



Protective blanket
(Not included)



ATTENTION

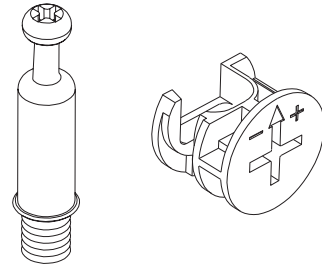
Keep children and pets away while assembling.



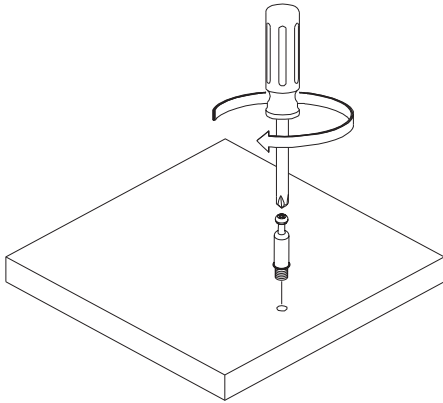
HOW TO USE CAM LOCKS

CAM LOCK FASTENING SYSTEM

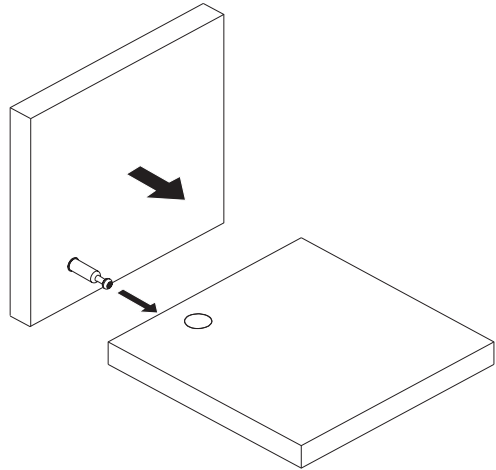
This Cam Lock Fastening System will be used throughout the assembly process.



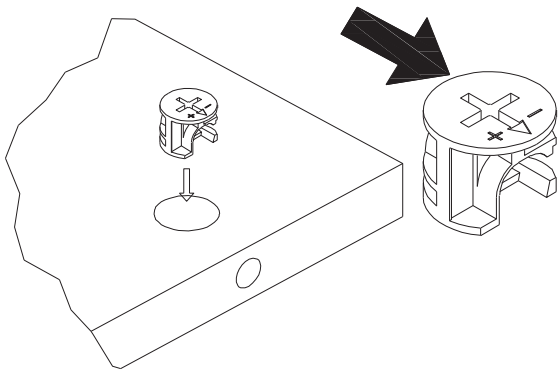
1



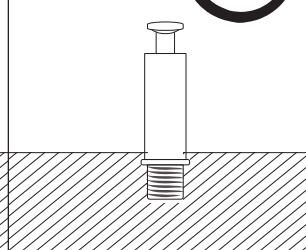
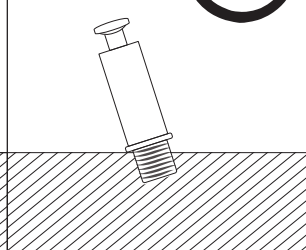
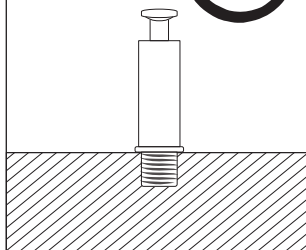
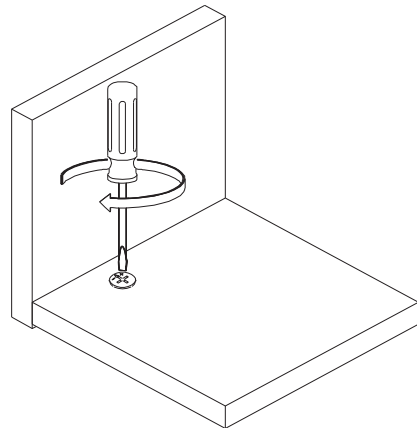
2



3



4



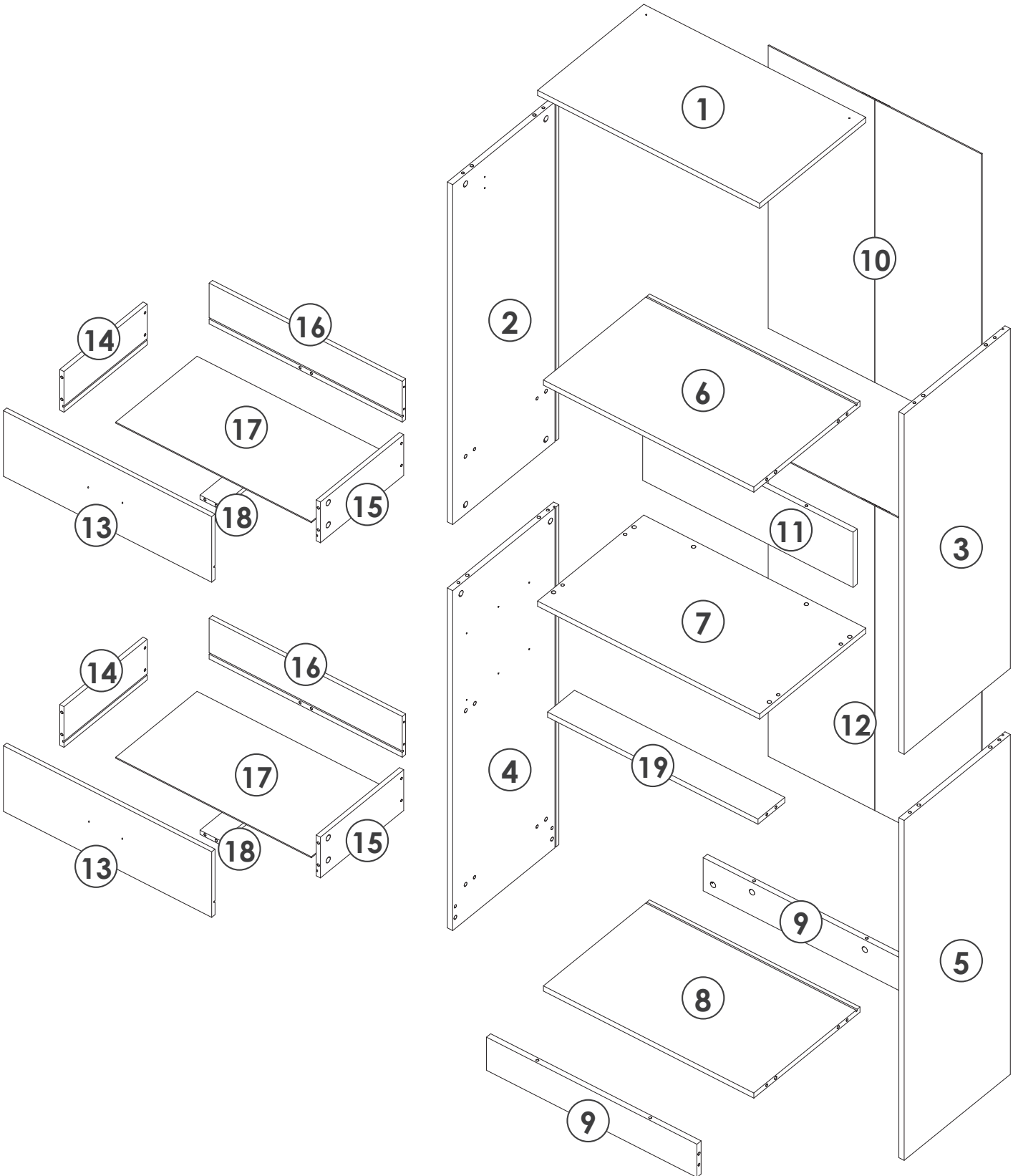
INTRODUCTION

Thank you very much for choosing our Wardrobe. Please read the instruction carefully before assembly and keep it for future reference. If you need further assistance on assembly, please contact our customer service through email.

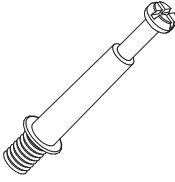
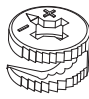
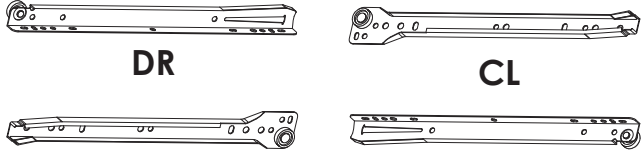
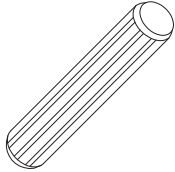

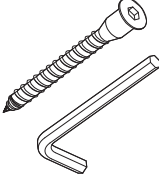
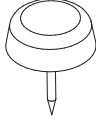
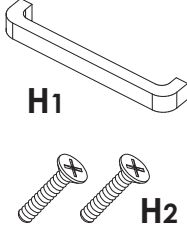


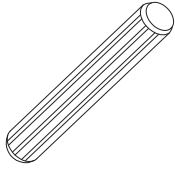


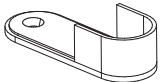
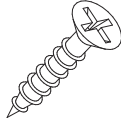
Tips:

1. When installing the product, use a soft underlay (such as carpet or cardboard) to avoid scratching or damaging the surface of the product.
2. Don't tighten screws completely at first, just in case parts were assembled wrong and need disassemble. Tighten screws at last when all parts are put together.
3. The structure of this product can not meet the requirements of the placement of heavy items and children climbing.

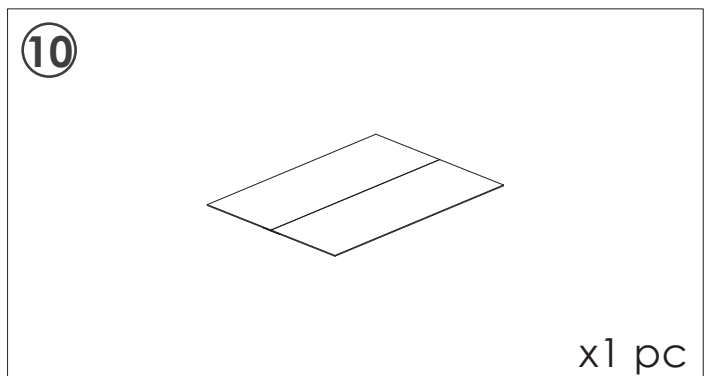
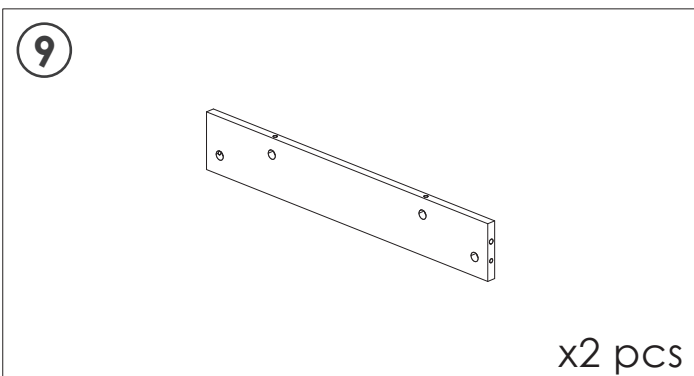
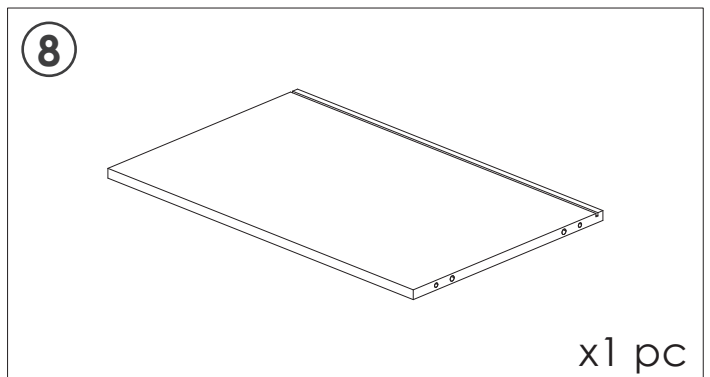
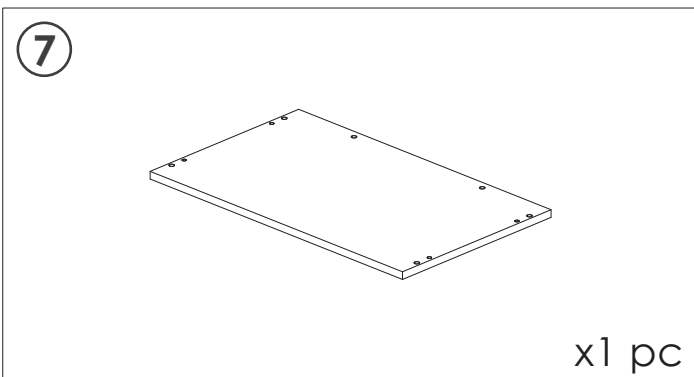
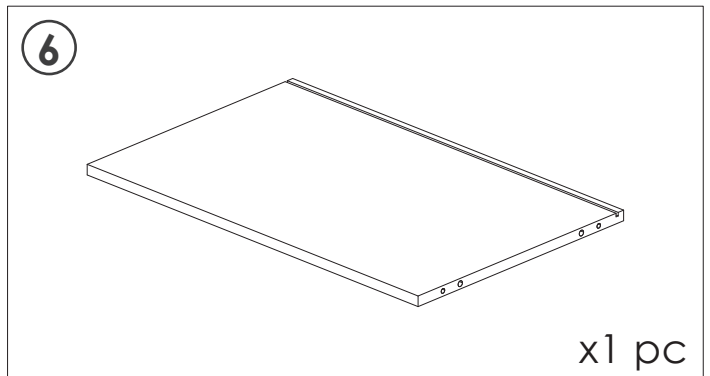
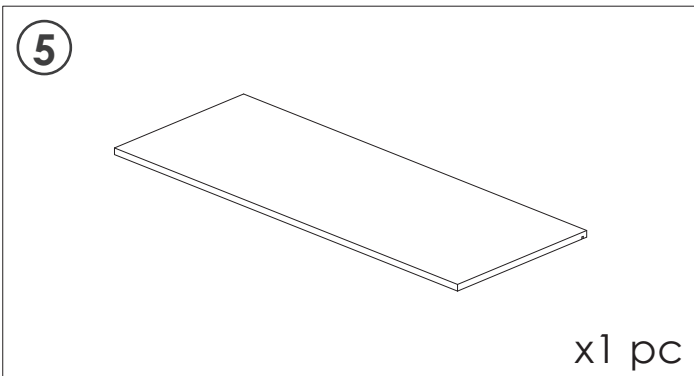
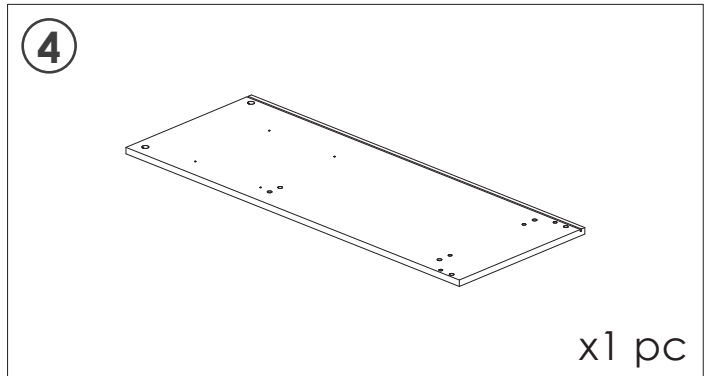
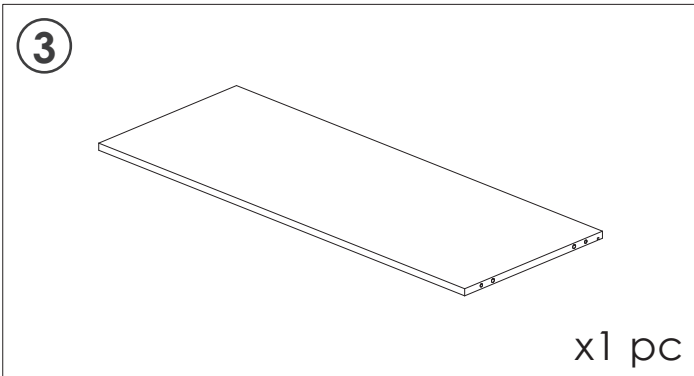
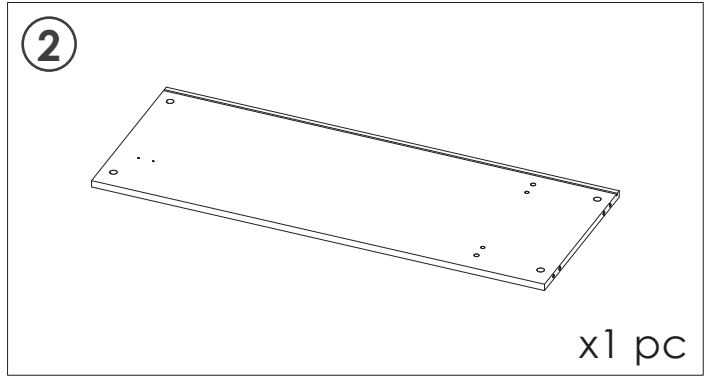
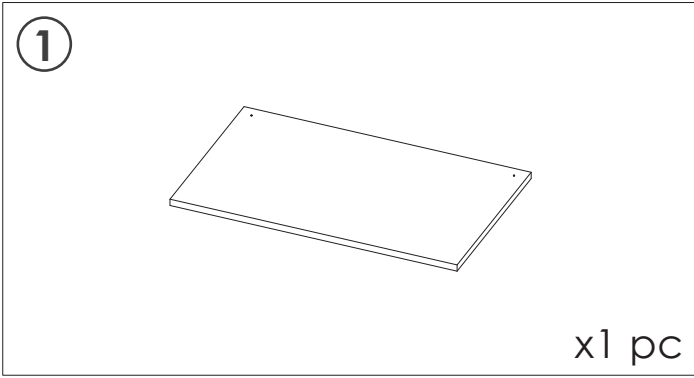
PLATE NUMBER

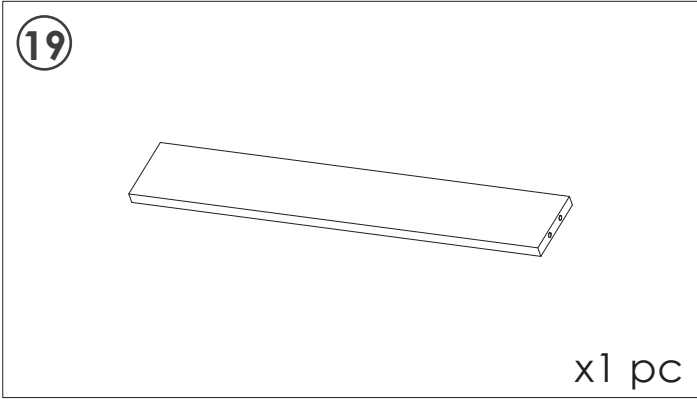
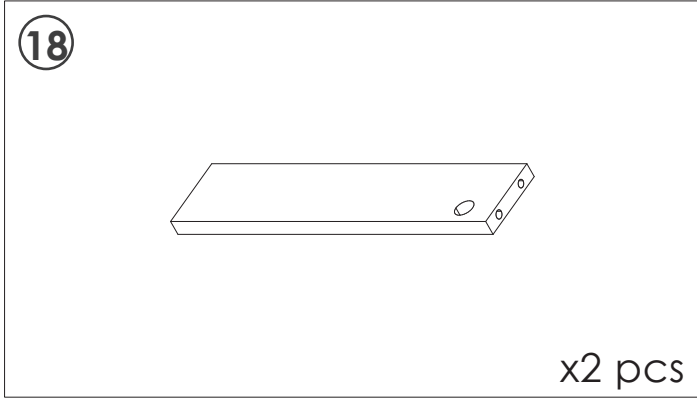
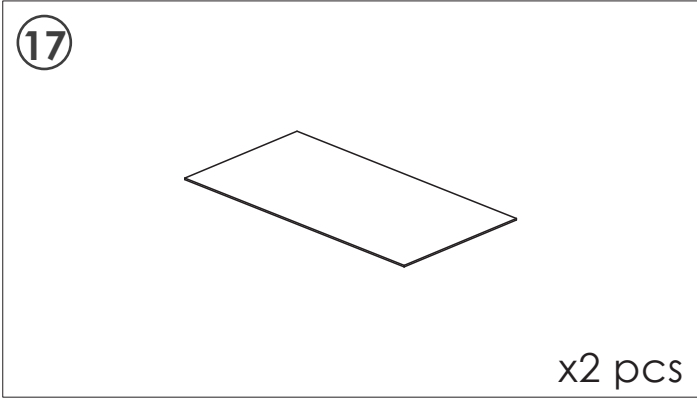
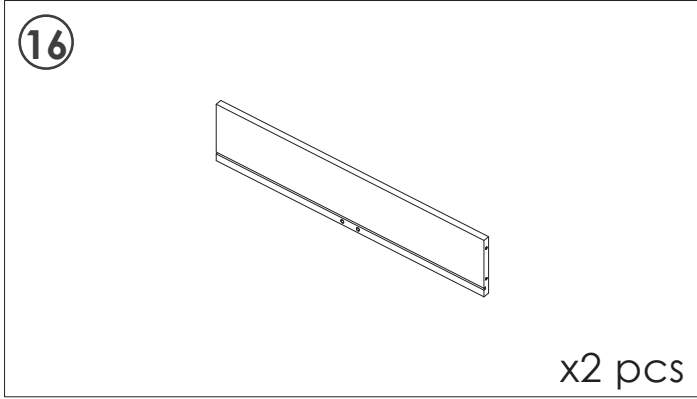
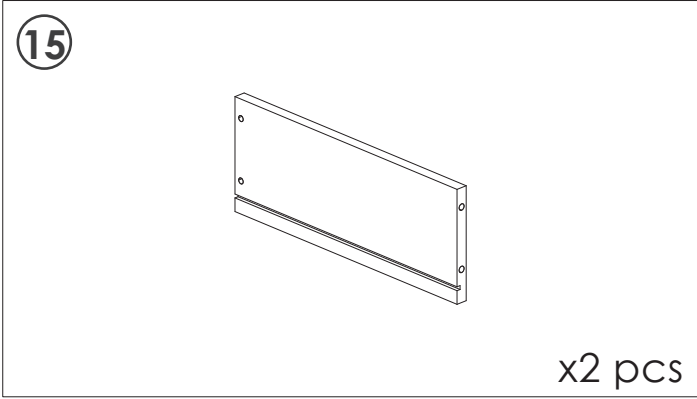
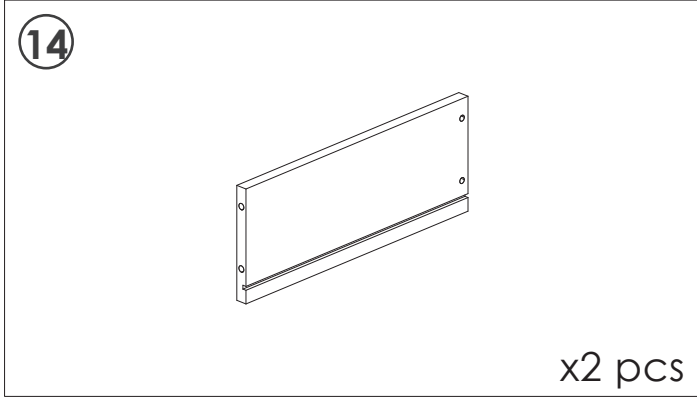
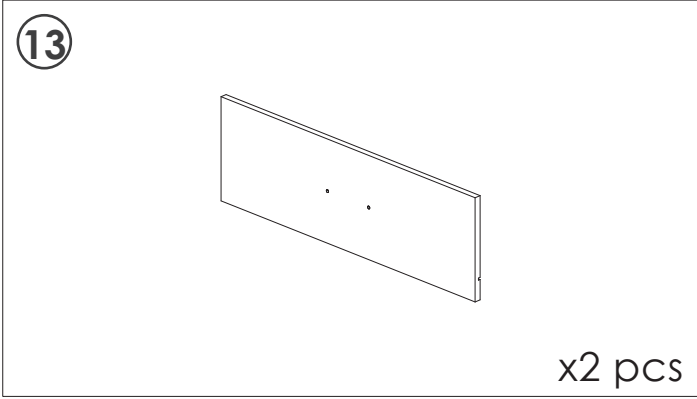
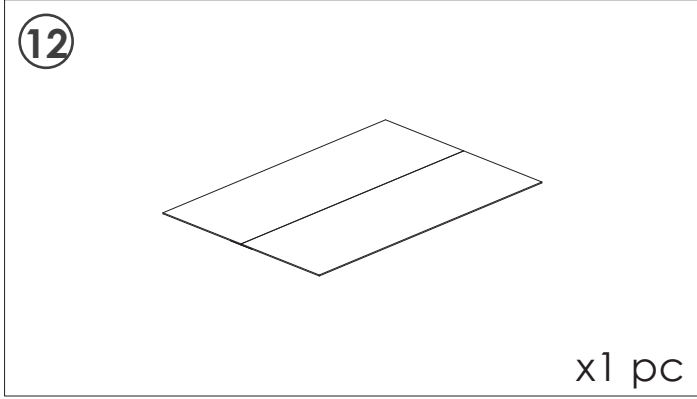
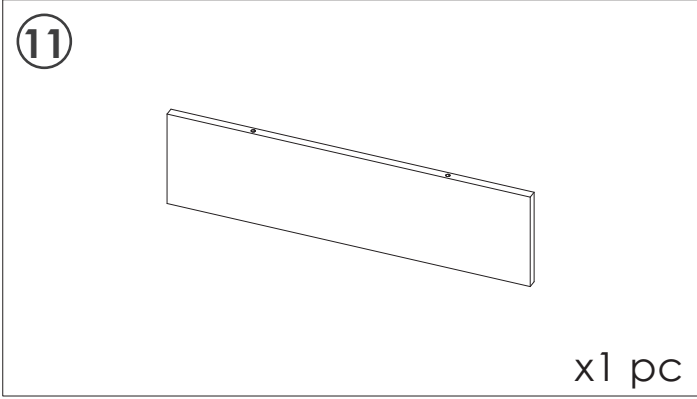


HARDWARES LIST

<p>A x46</p>  <p>M6*35mm</p>	<p>B x46</p>  <p>M15*10mm</p>	<p>C = DR+CR+CL+DL x2</p>  <p>12-inches</p>	
<p>D x24</p>  <p>M8*40mm</p>	<p>E x16</p>  <p>M3.5*14mm</p>	<p>F x12</p> 	<p>G x8</p> 
<p>H = H1+H2 x2</p> 	<p>I = I1+I2 x16</p> 	<p>J = J1+J2+J3+J4 x2</p> 	
<p>K x2</p>  <p>M6*40mm</p>	<p>L x24</p>  <p>21mm</p>	<p>M x1</p>  <p>592mm</p>	
<p>N x2</p> 	<p>O x12</p>  <p>M3*12mm</p>		

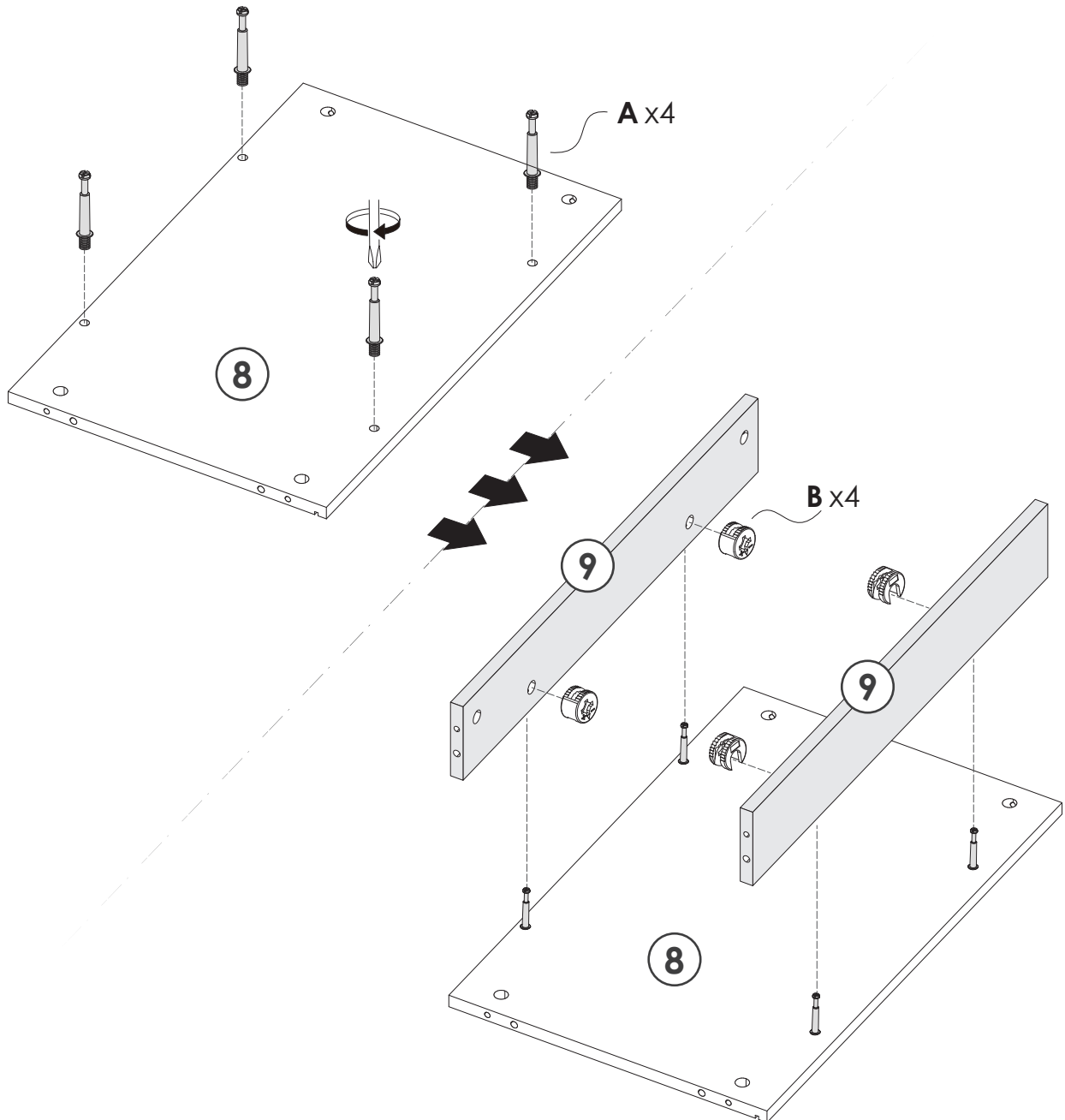
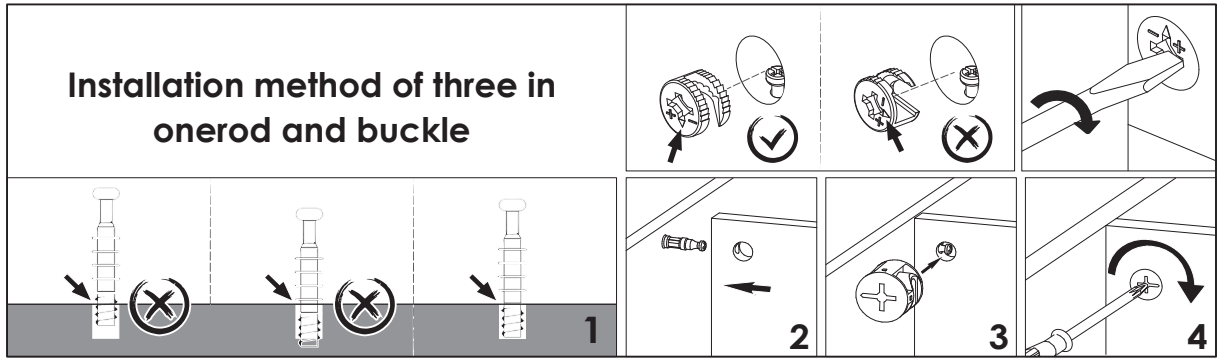
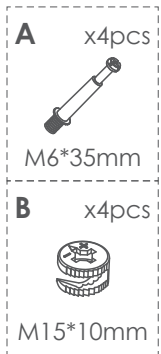
PARTS LIST





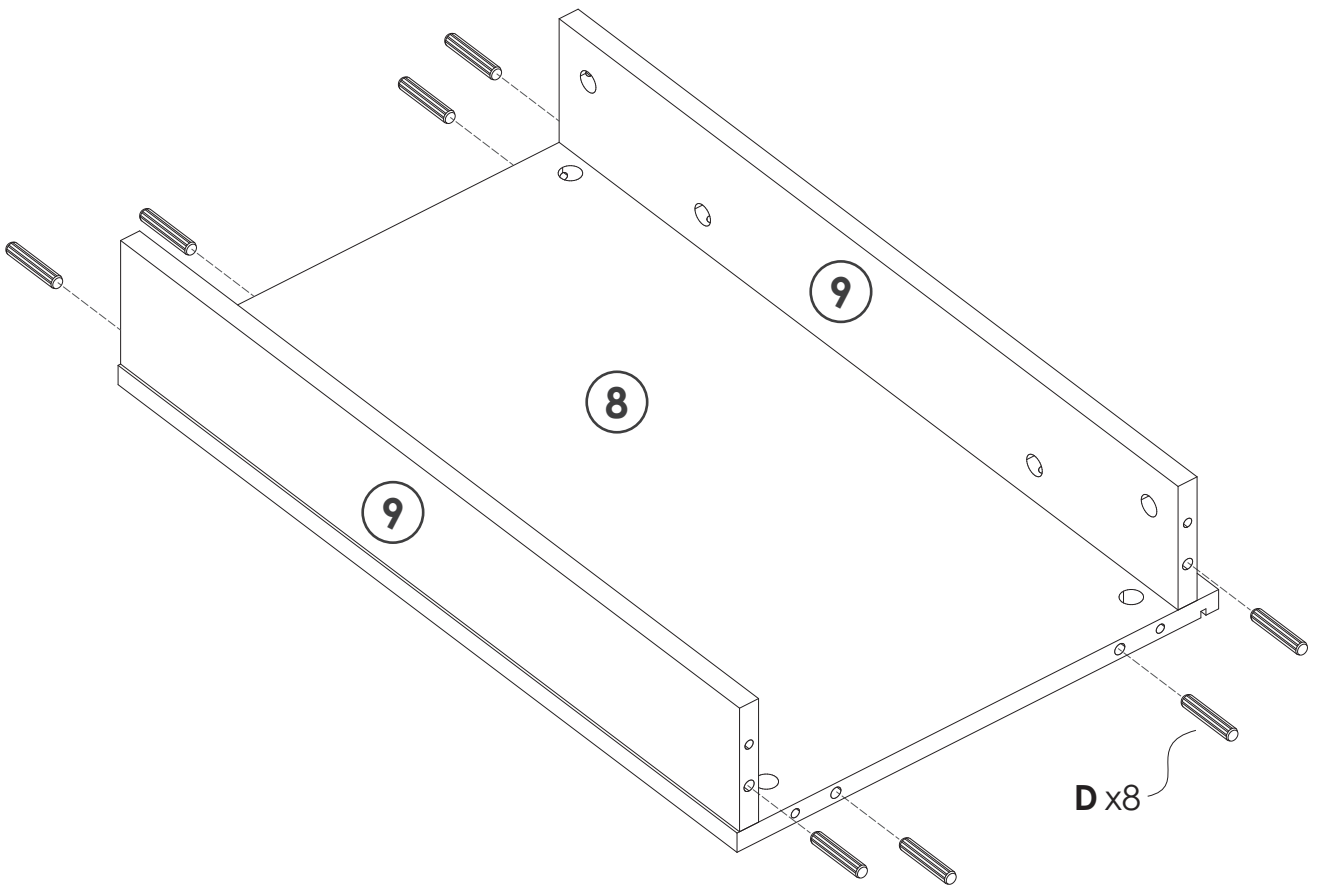
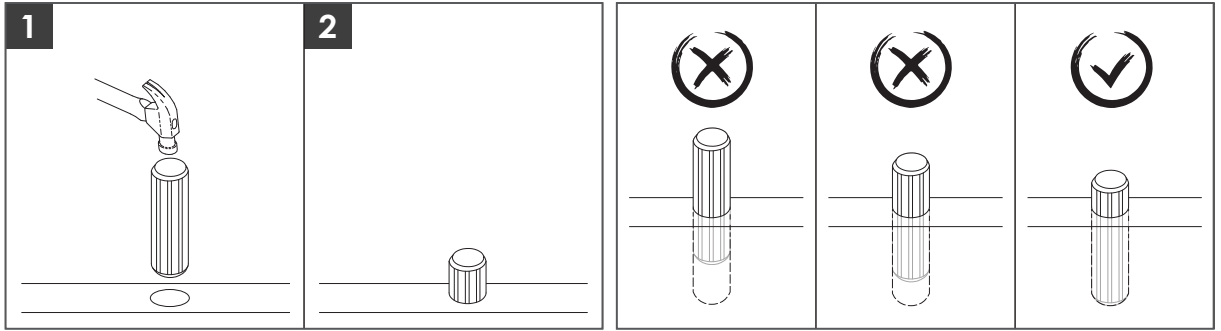
INSTALLATION INSTRUCTION

01



02

D x8pcs
M8*40mm



03

C x2pcs

CL



CR

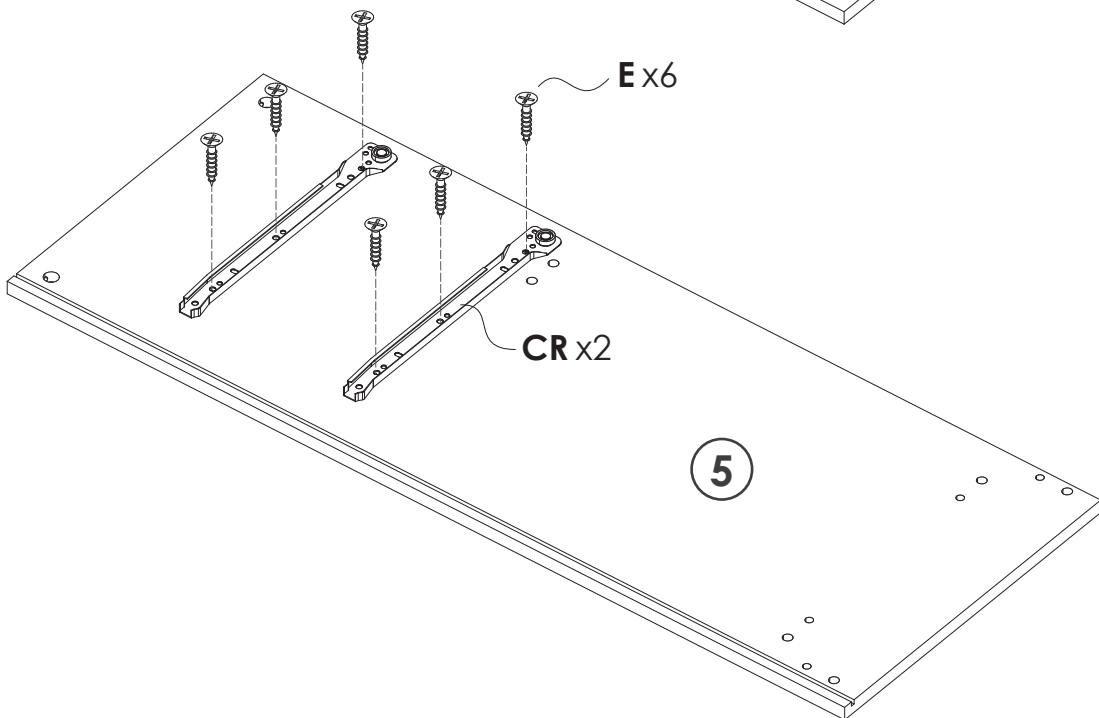
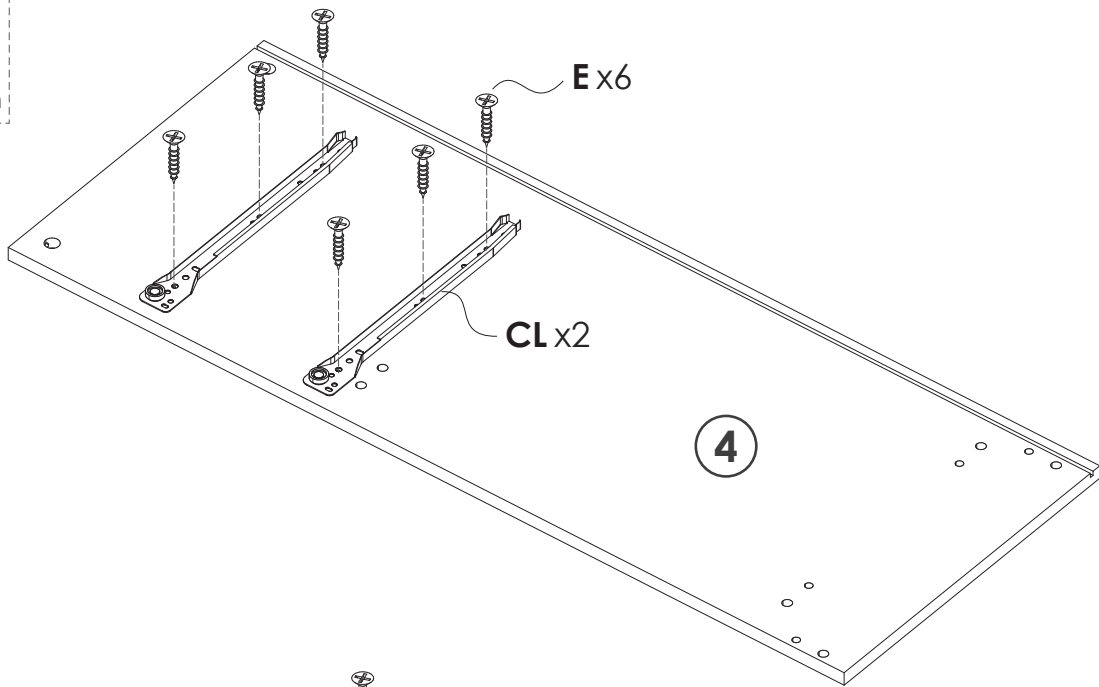
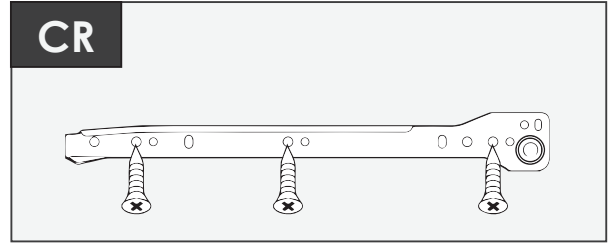
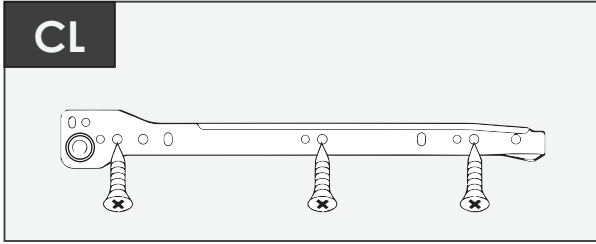


12-inches

E x12pcs



M3.5*14mm



04

A x6pcs

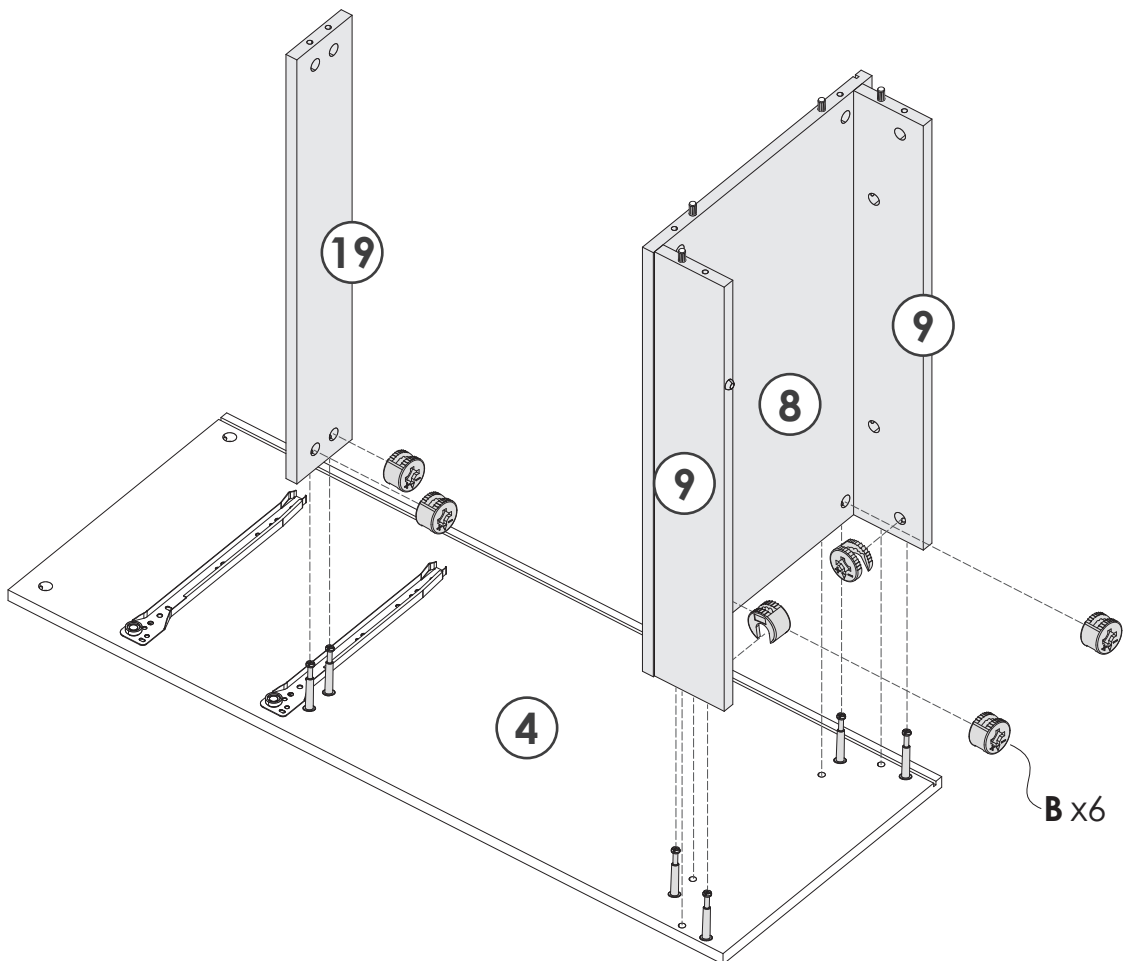
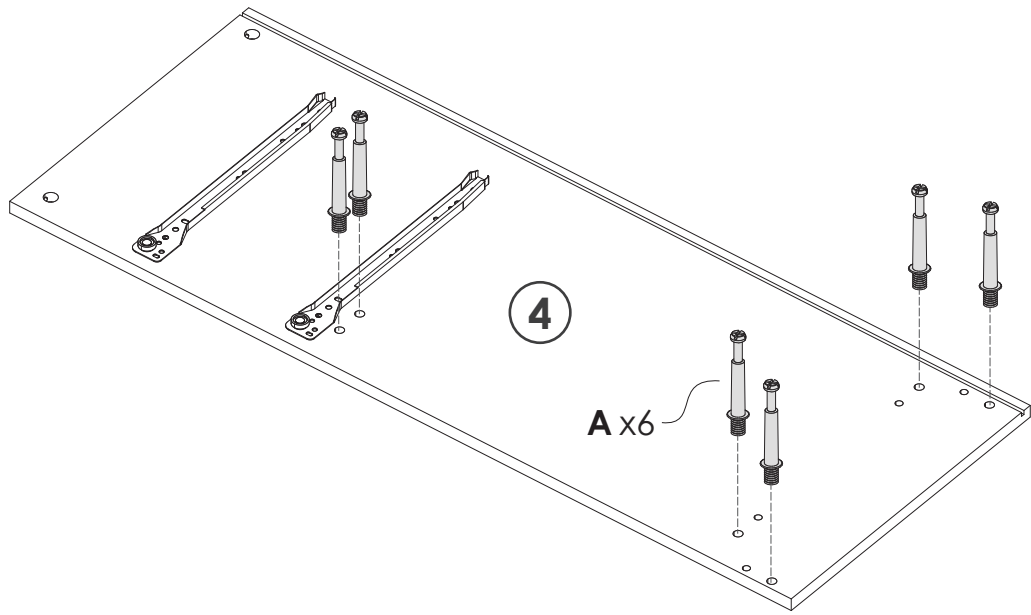


M6*35mm

B x6pcs



M15*10mm



05

A x6pcs

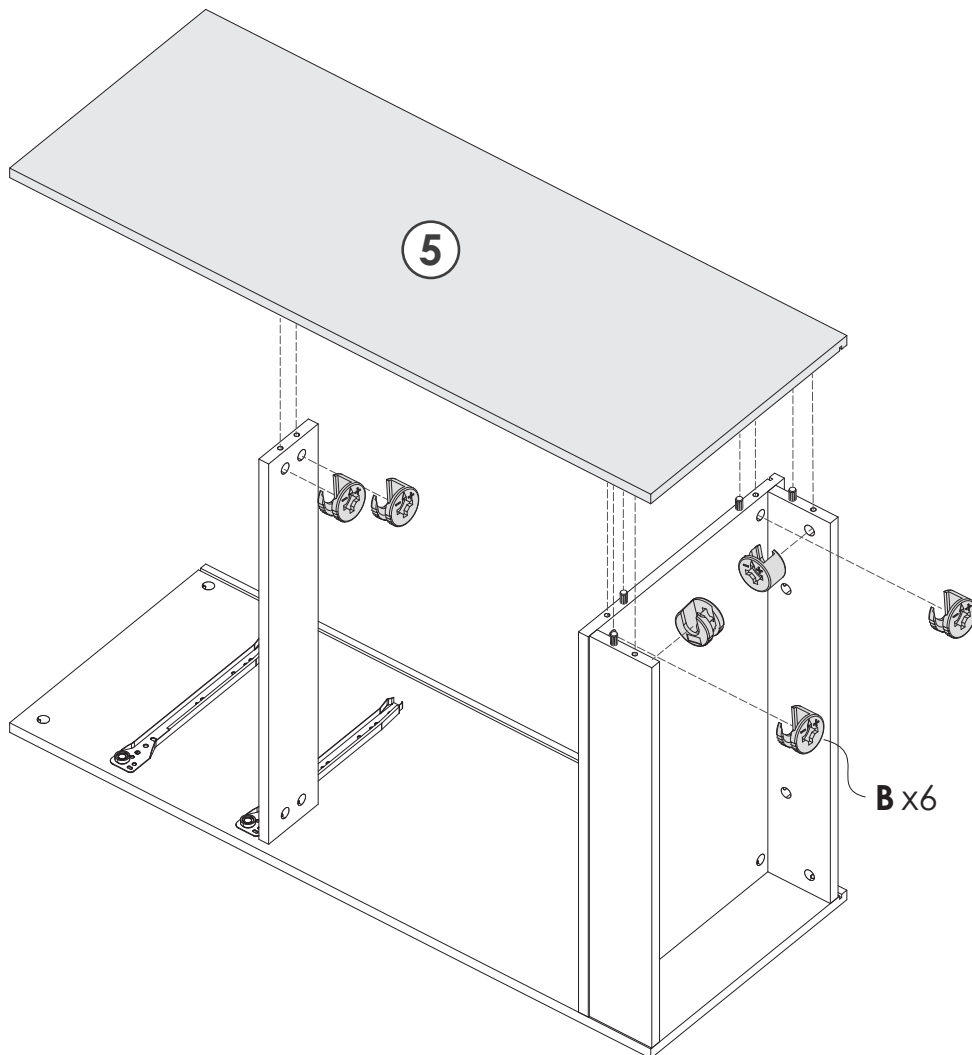
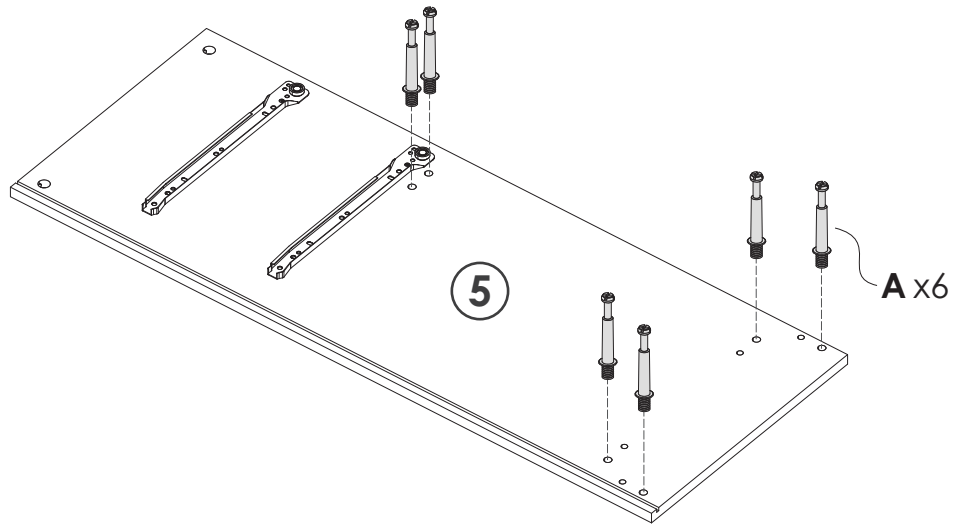


M6*35mm

B x6pcs

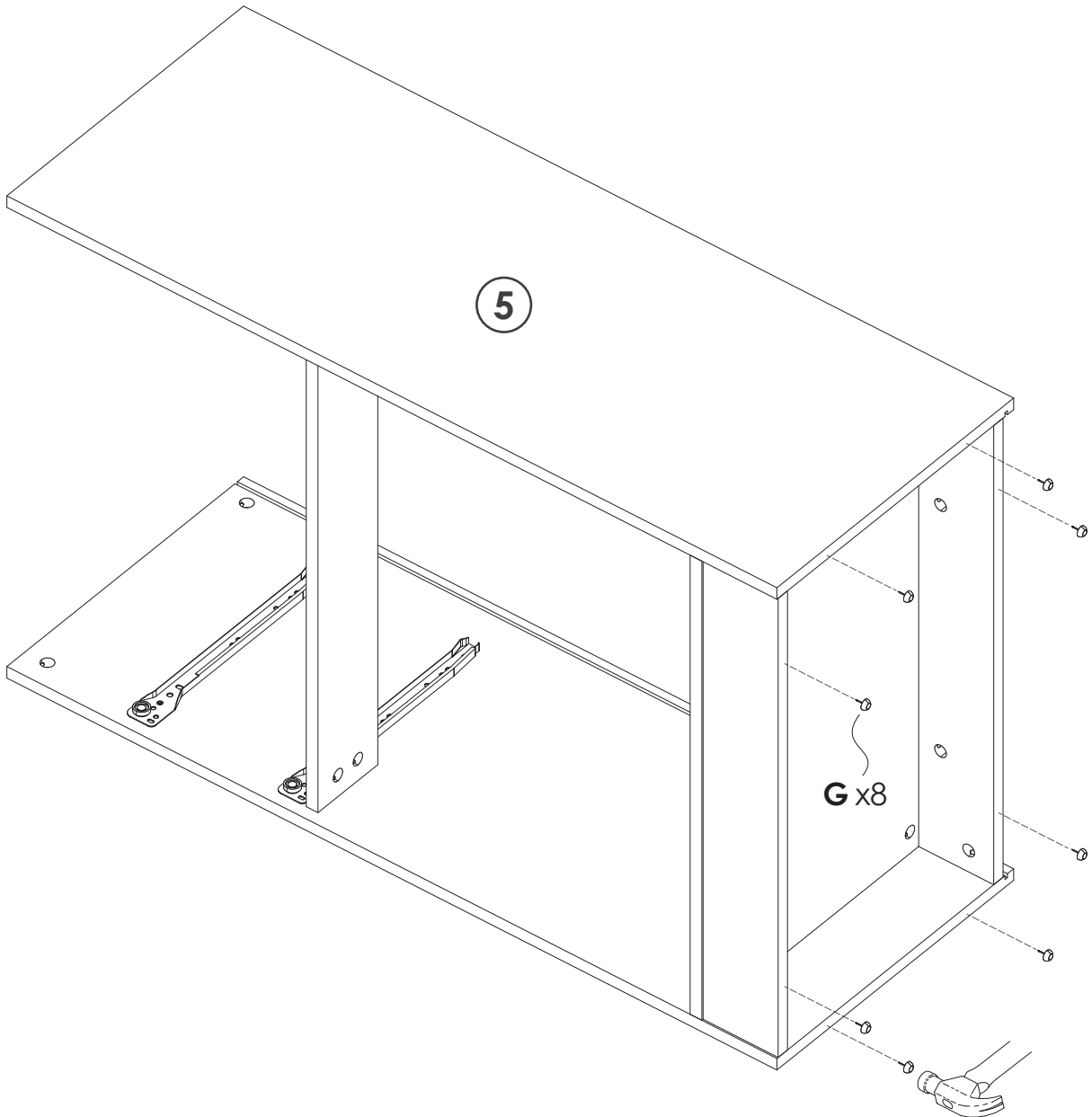


M15*10mm



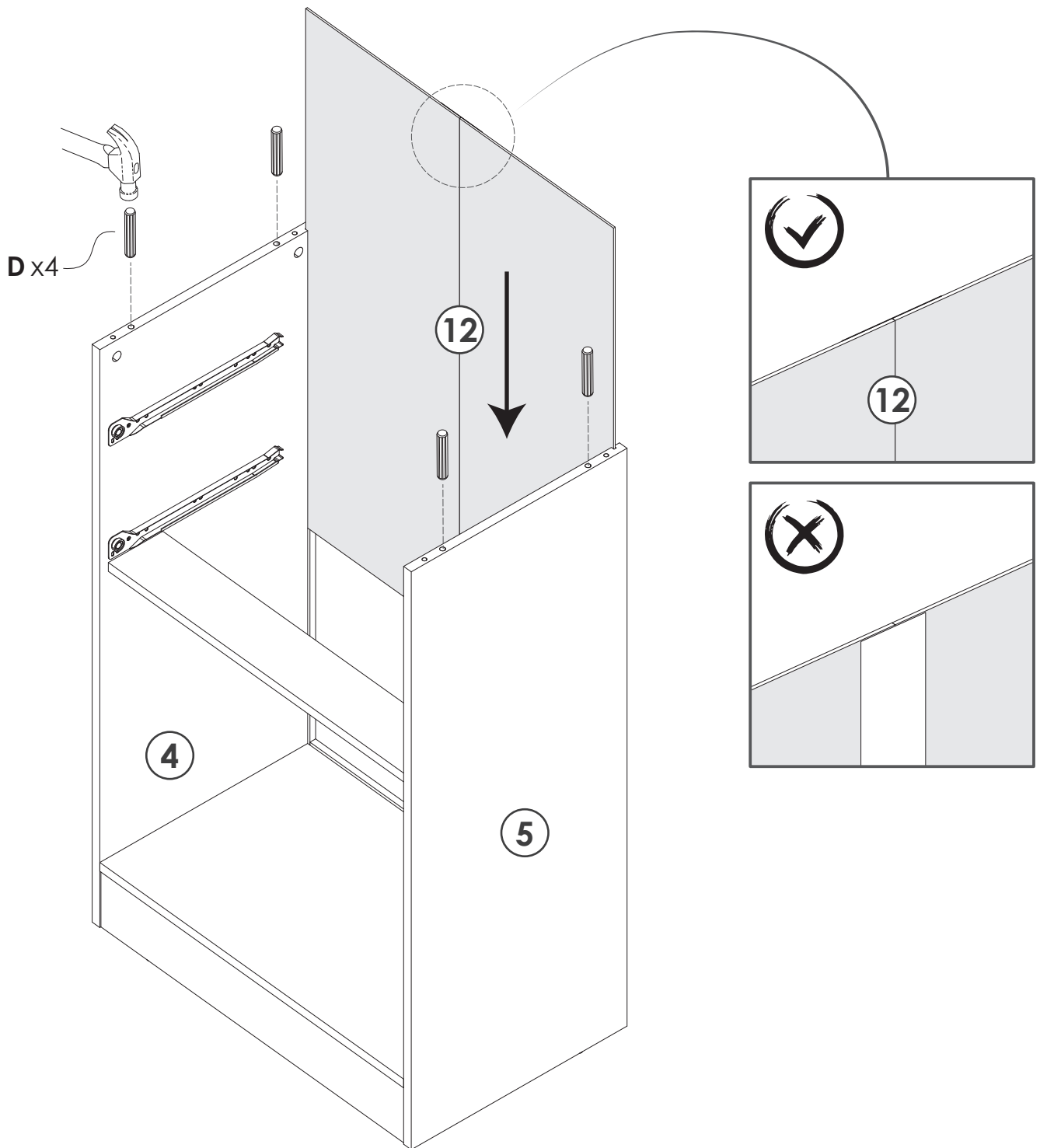
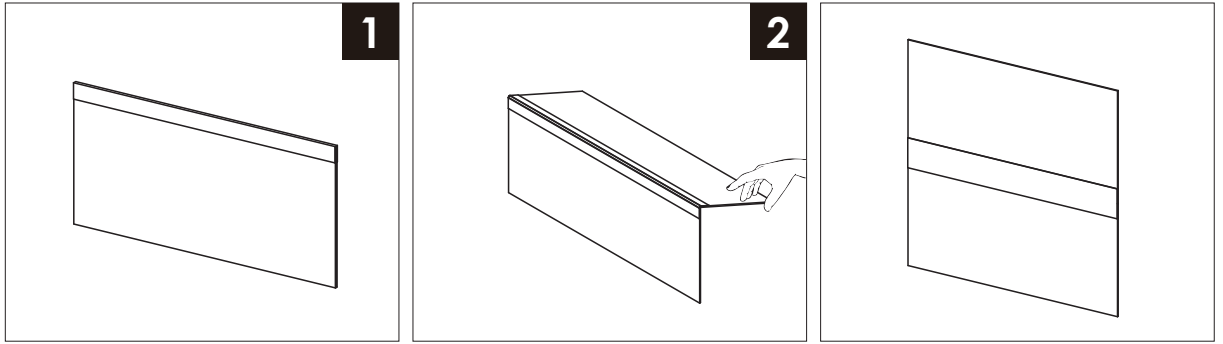
06

G x8pcs



07

D x4pcs
M8*40mm



08

A x2pcs



M6*35mm

B x2pcs

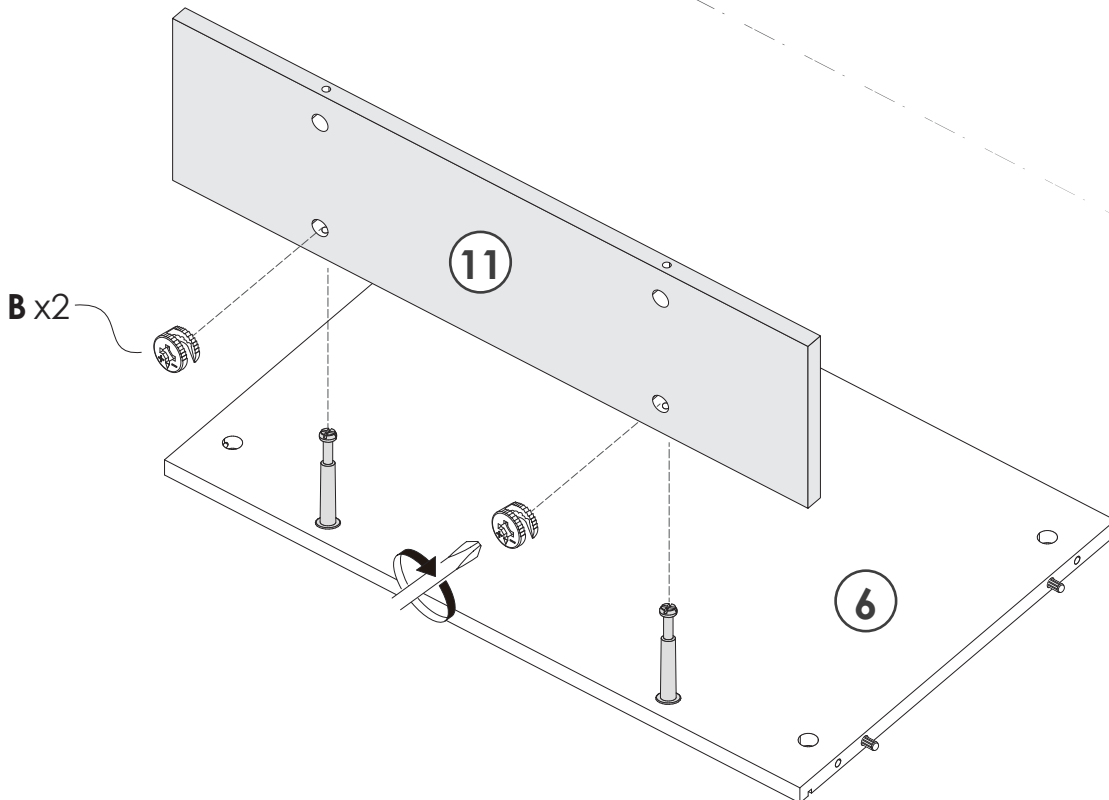
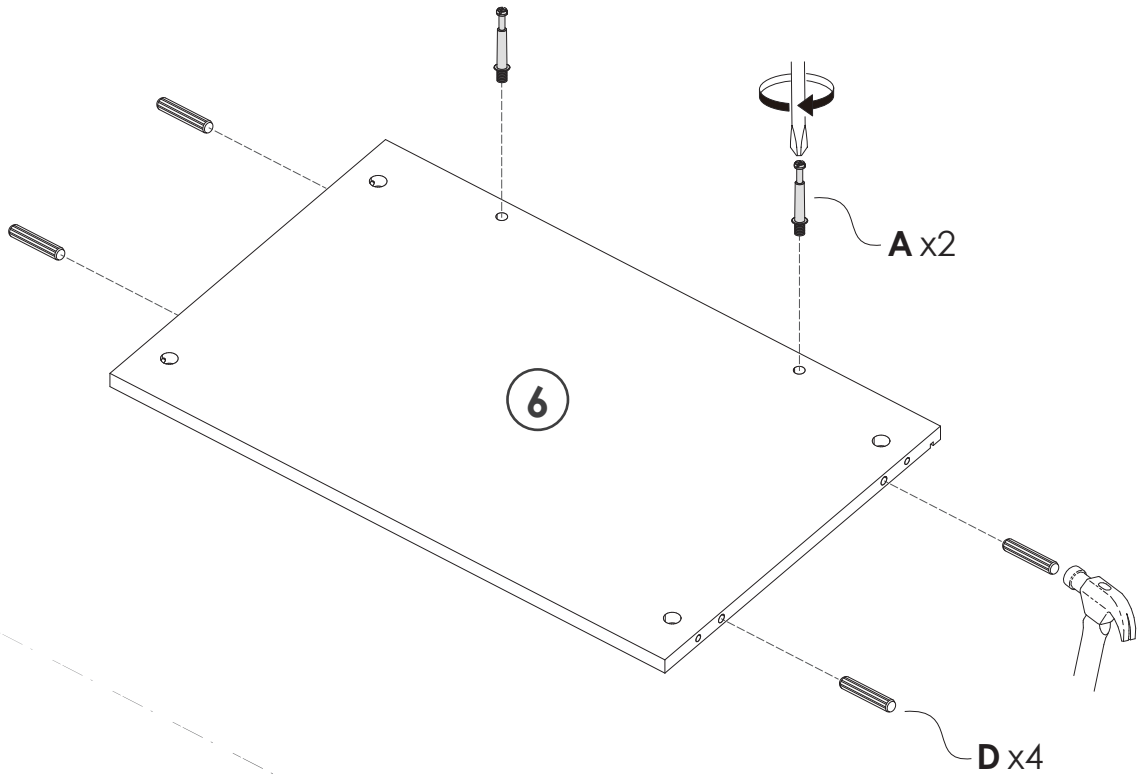


M15*10mm

D x4pcs



M8*40mm



09

A x2pcs



M6*35mm

B x2pcs



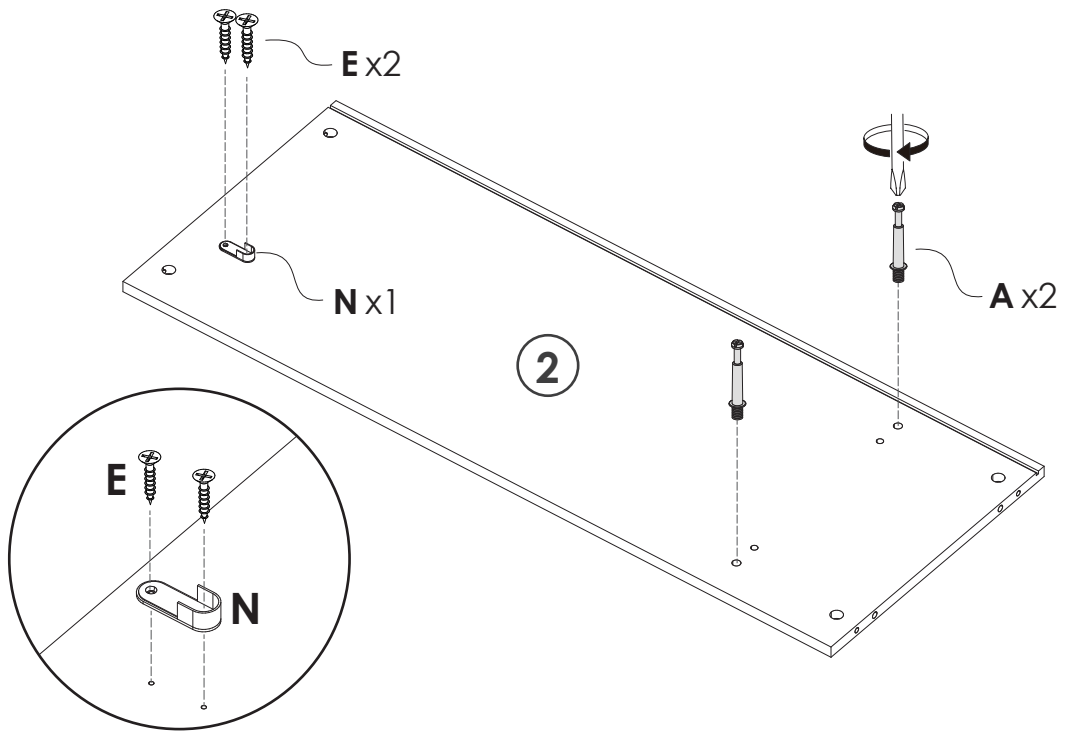
M15*10mm

E x2pcs

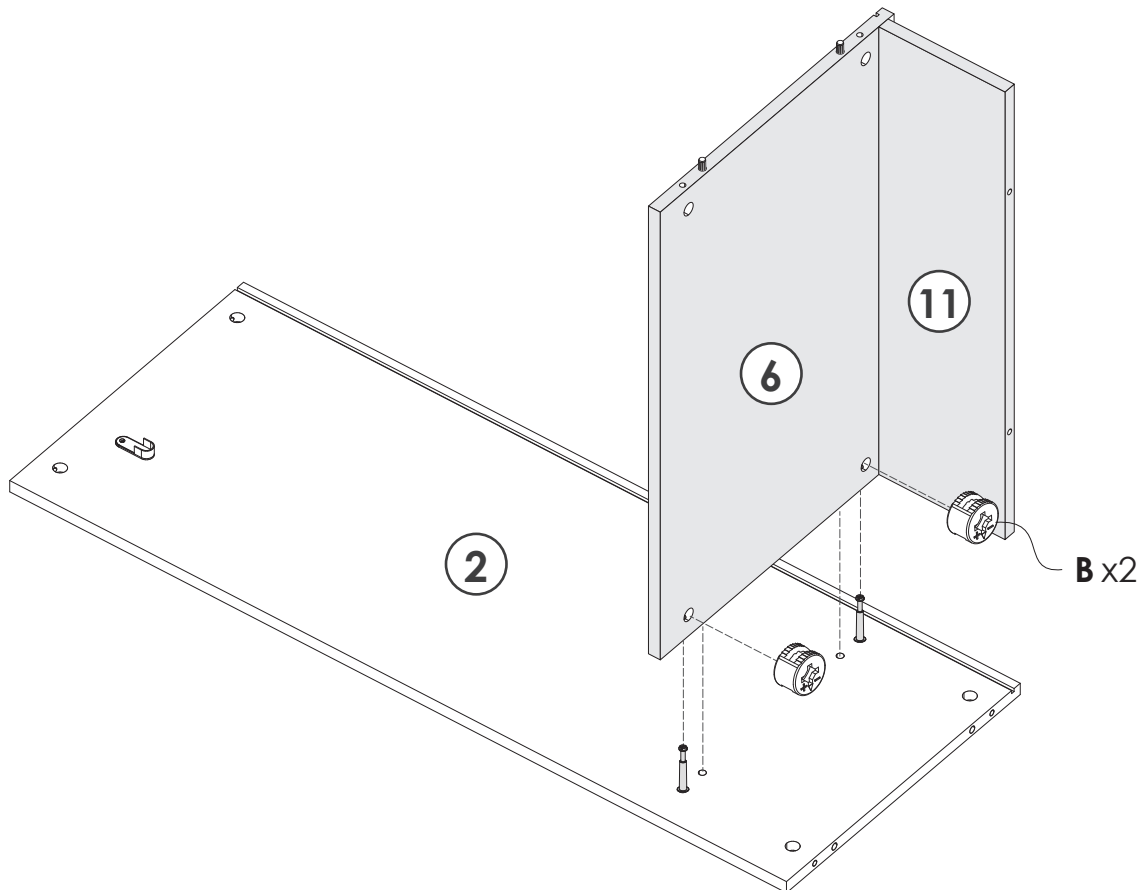


M3.5*14mm





N x1pc

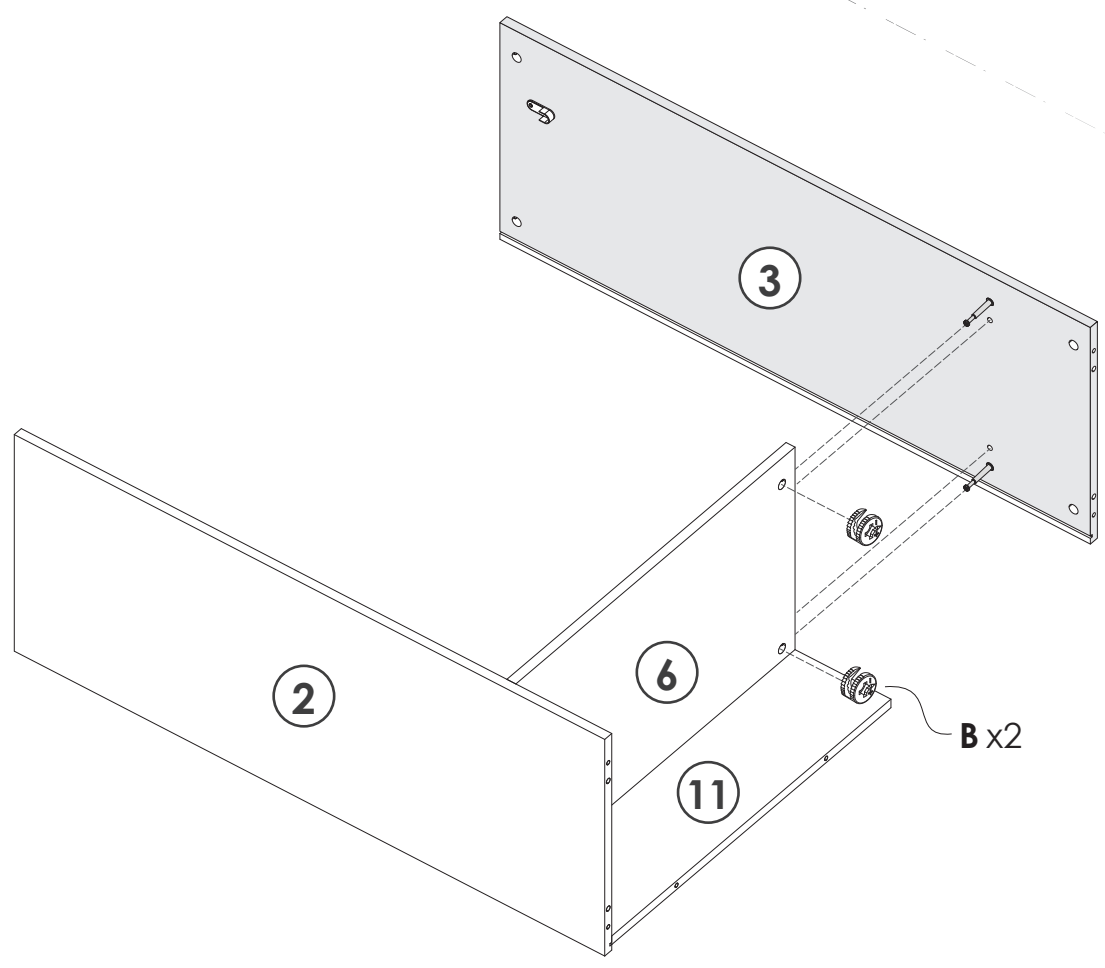
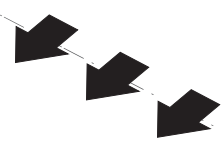
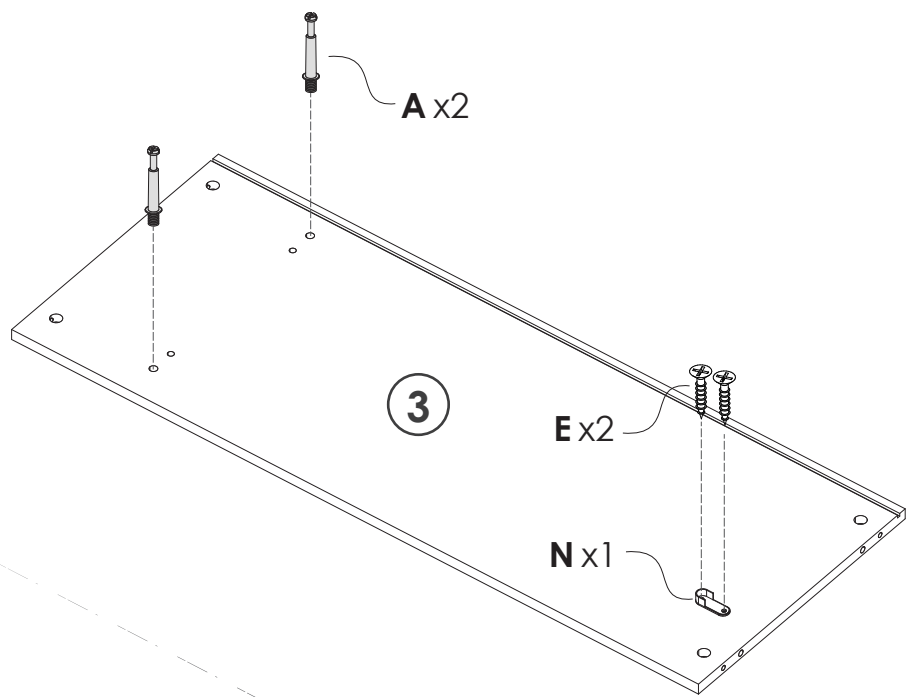


Note: The direction of fitting **N** shall be installed according to the drawing.



10

- A** x2pcs

M6*35mm
- B** x2pcs

M15*10mm
- E** x2pcs

M3.5*14mm
- N** x1pc




11

A x6pcs



M6*35mm

B x6pcs

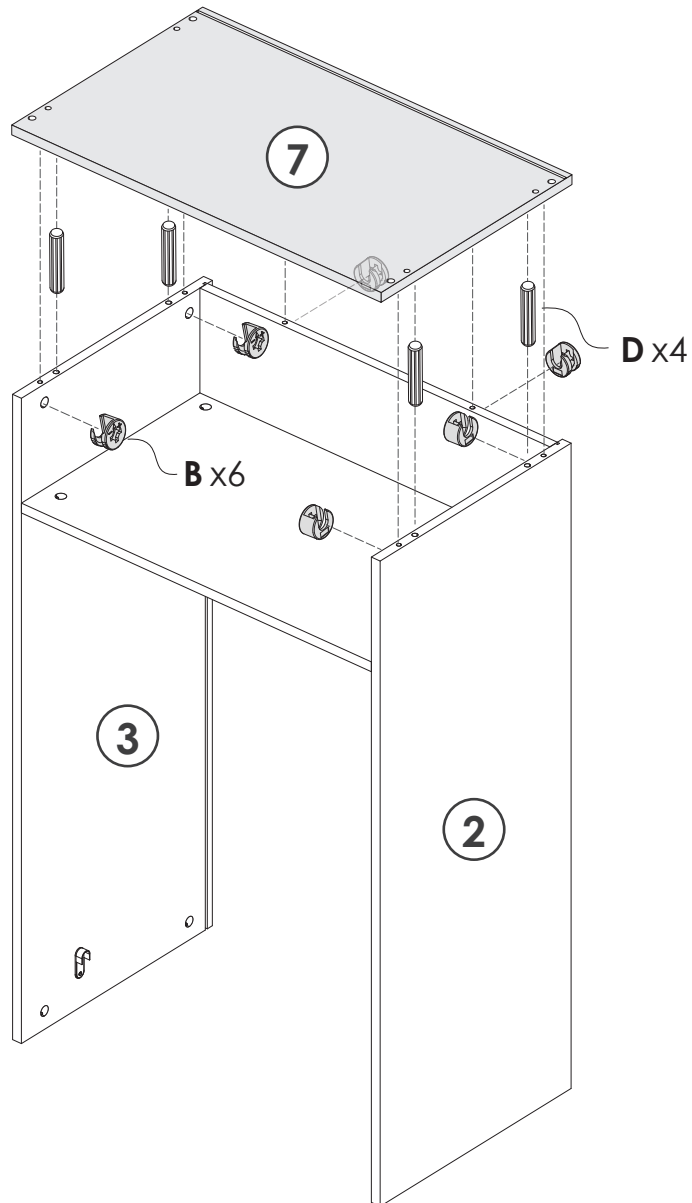
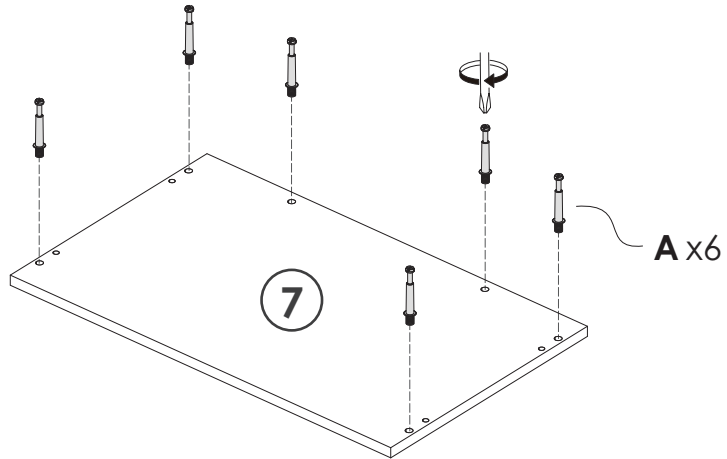


M15*10mm

D x4pcs

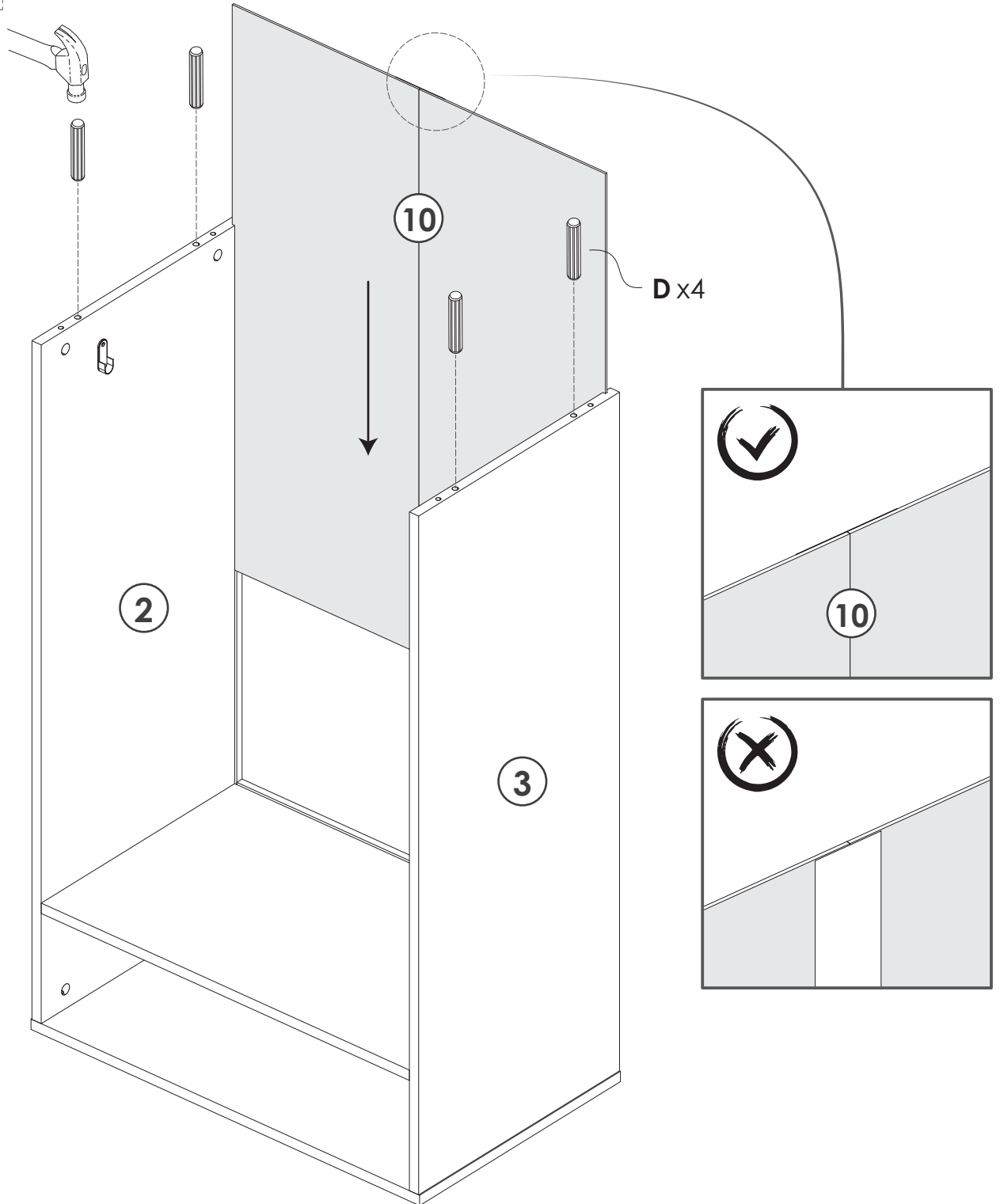


M8*40mm




12

D x4pcs
M8*40mm

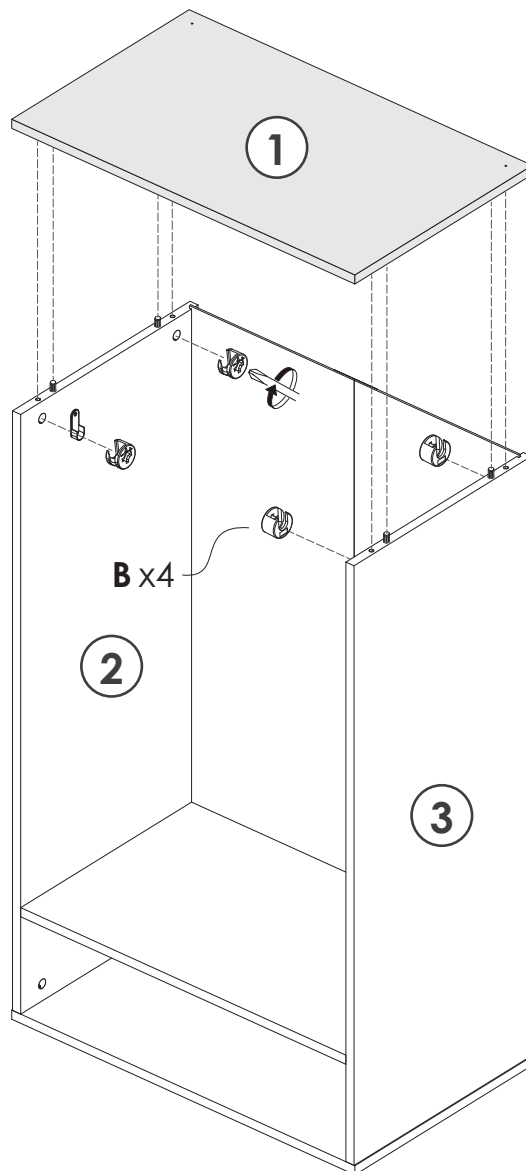
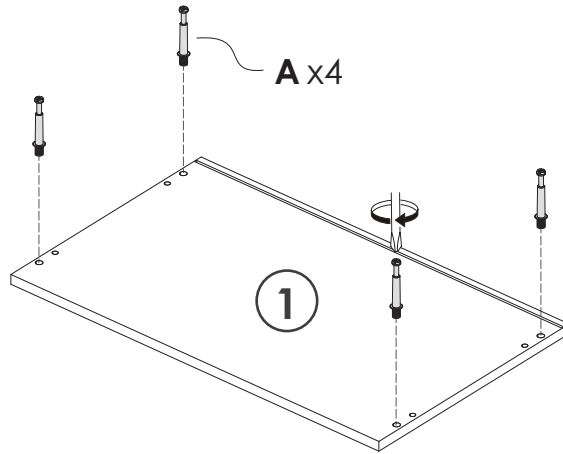



13

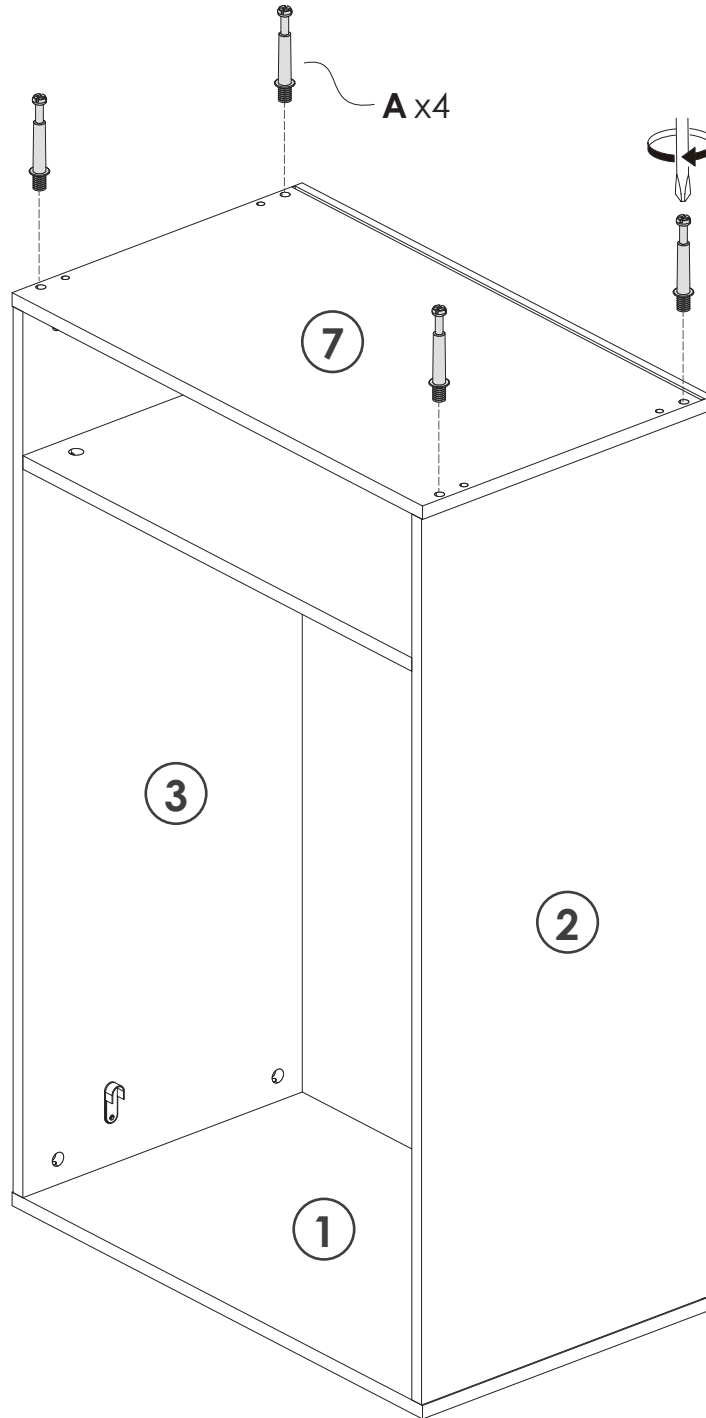
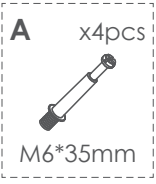
A x4pcs
M6*35mm




B x4pcs
M15*10mm

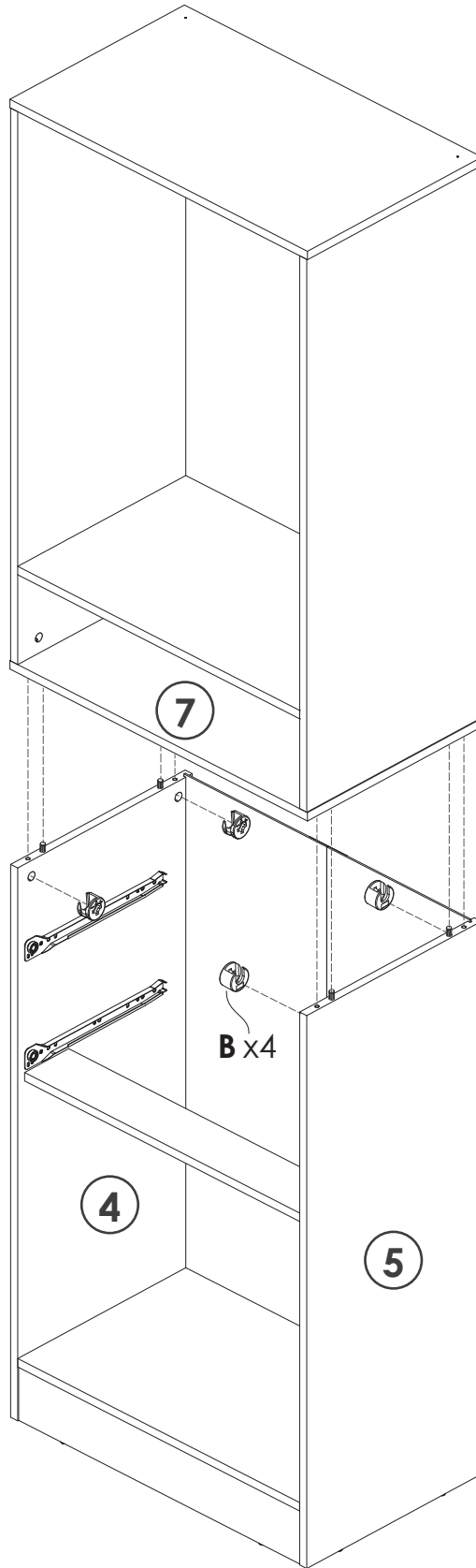


14



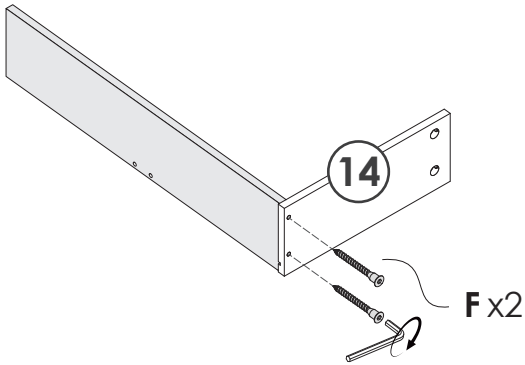
15

B x4pcs

M15*10mm

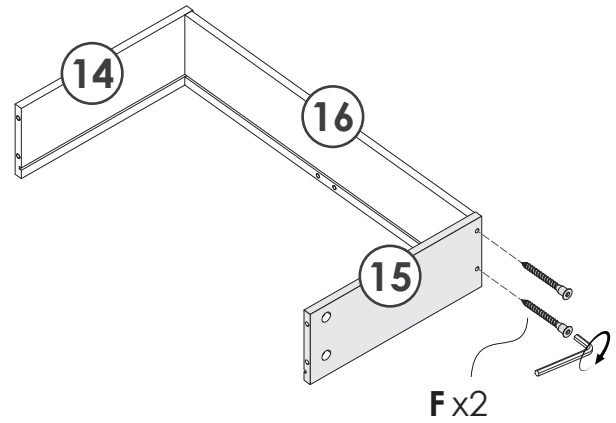
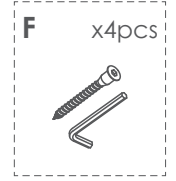


16-a

1

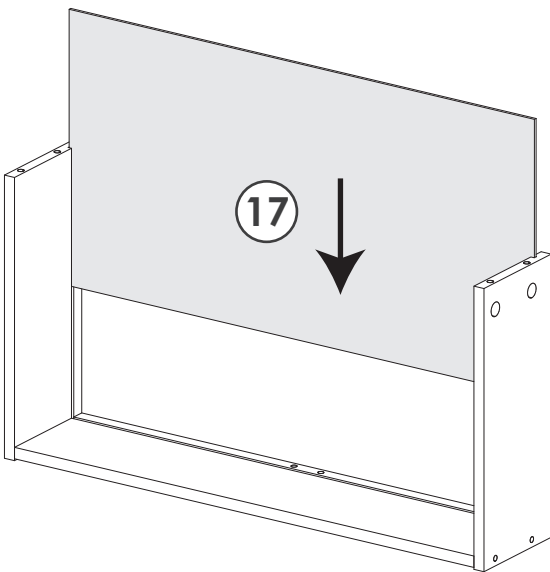


2

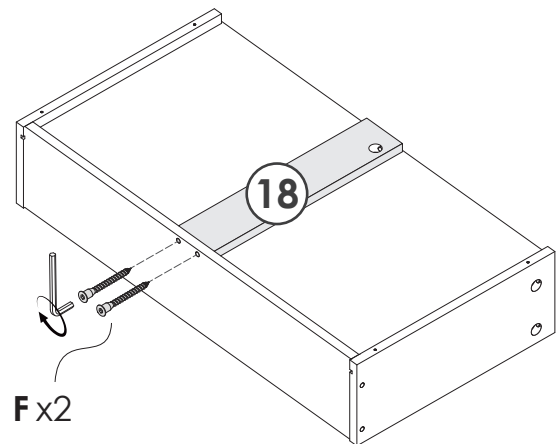
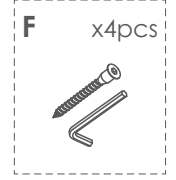


x2

3



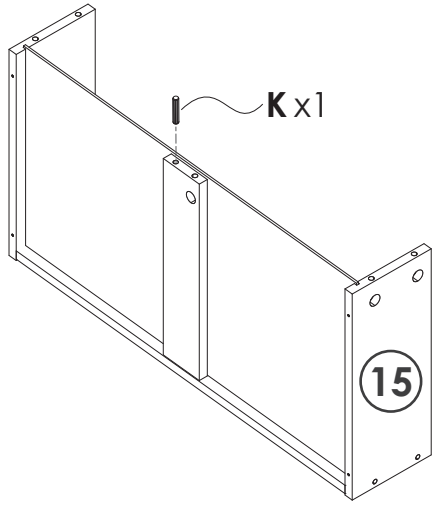
4



16-b

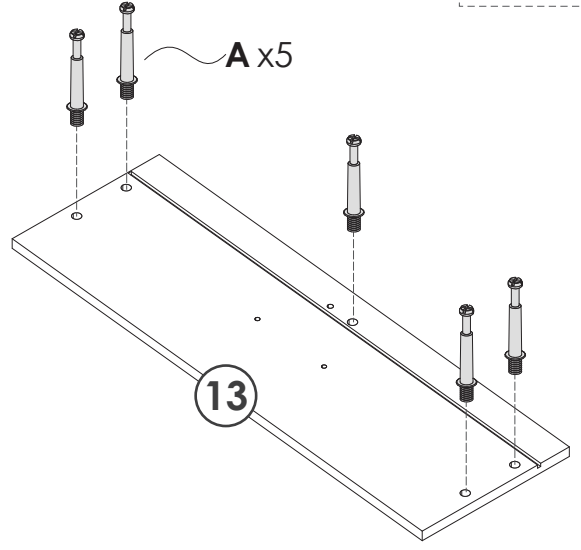
5

K x2pcs
M6*40mm



6

A x10pcs
M6*35mm

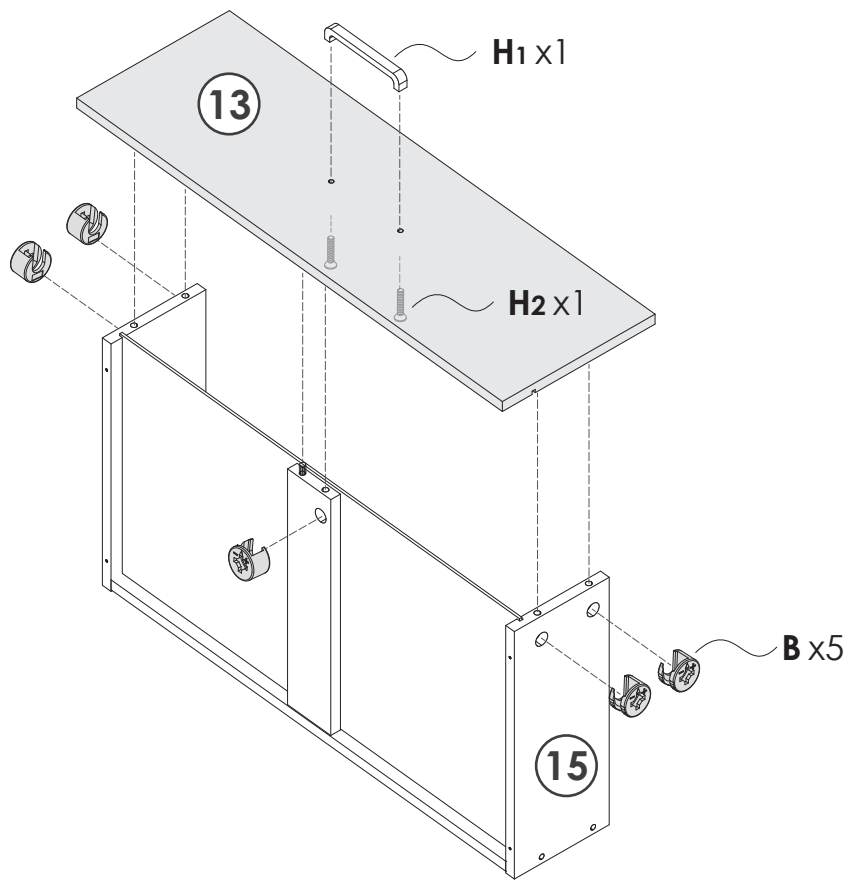


x2

7

H x2pcs
H1
H2

B x10pcs
M15*10mm



17

C x2pcs

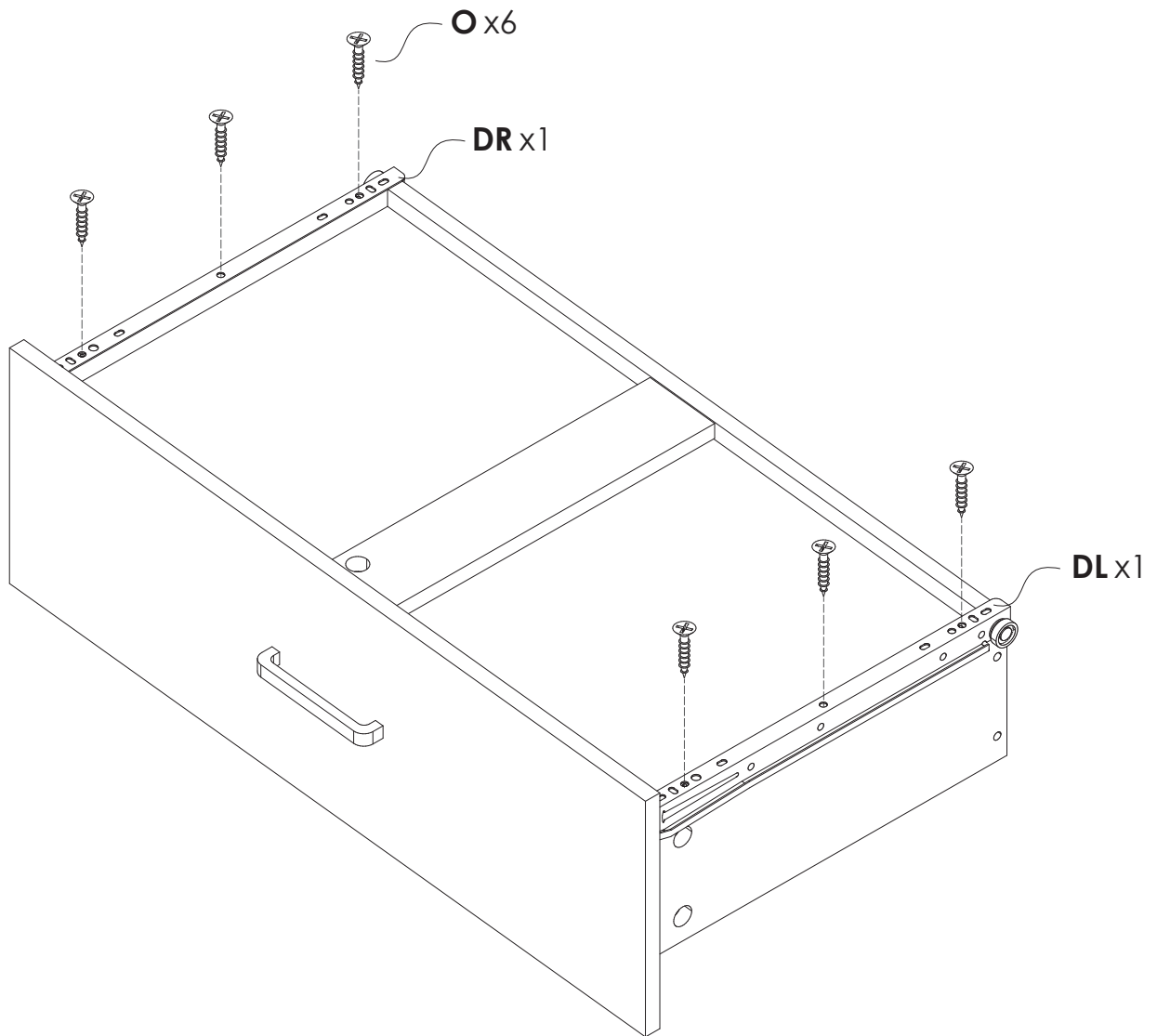
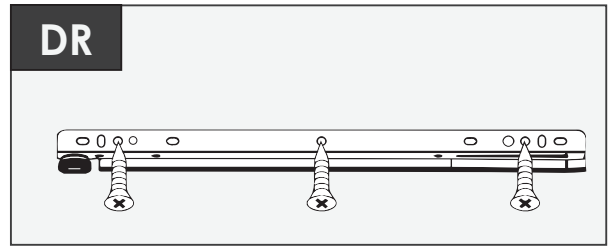
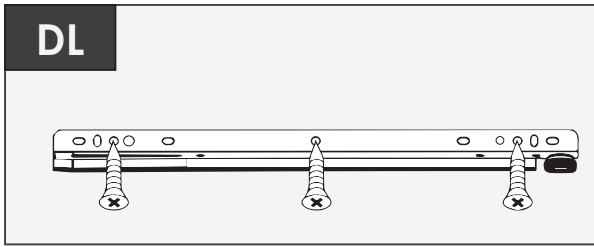


12-inches

O x12pcs

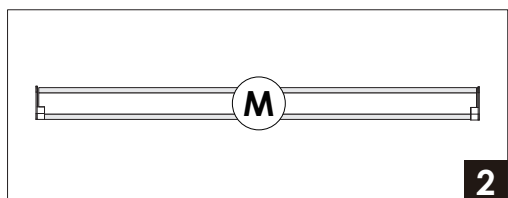
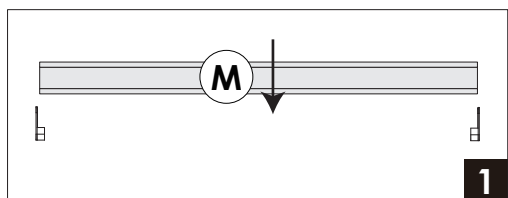
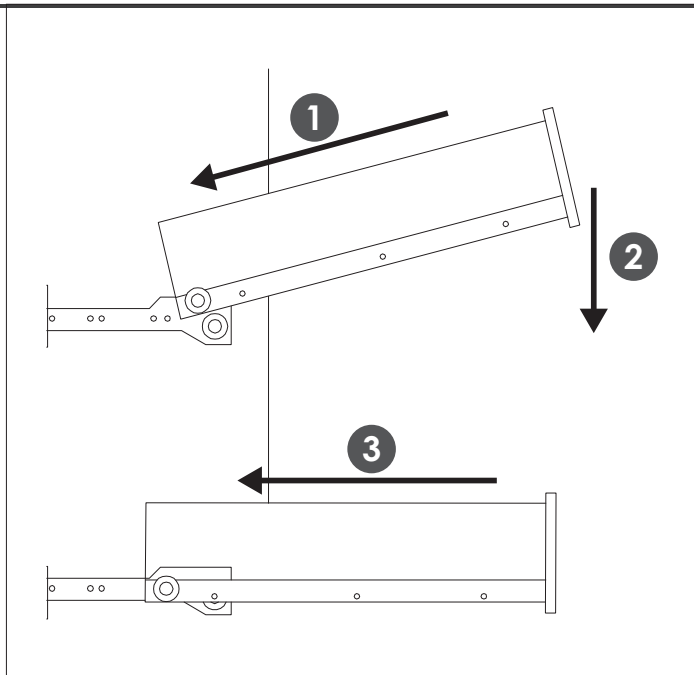
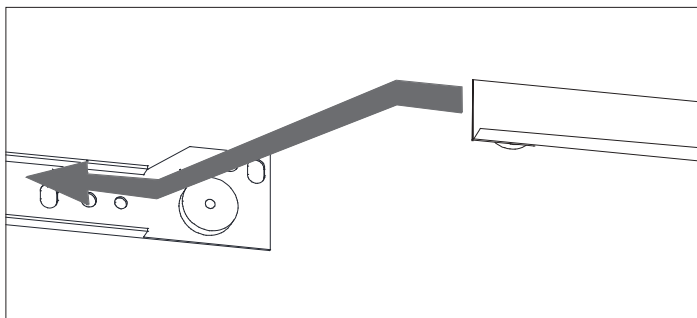
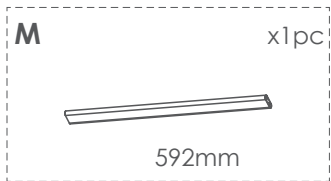


M3*12mm

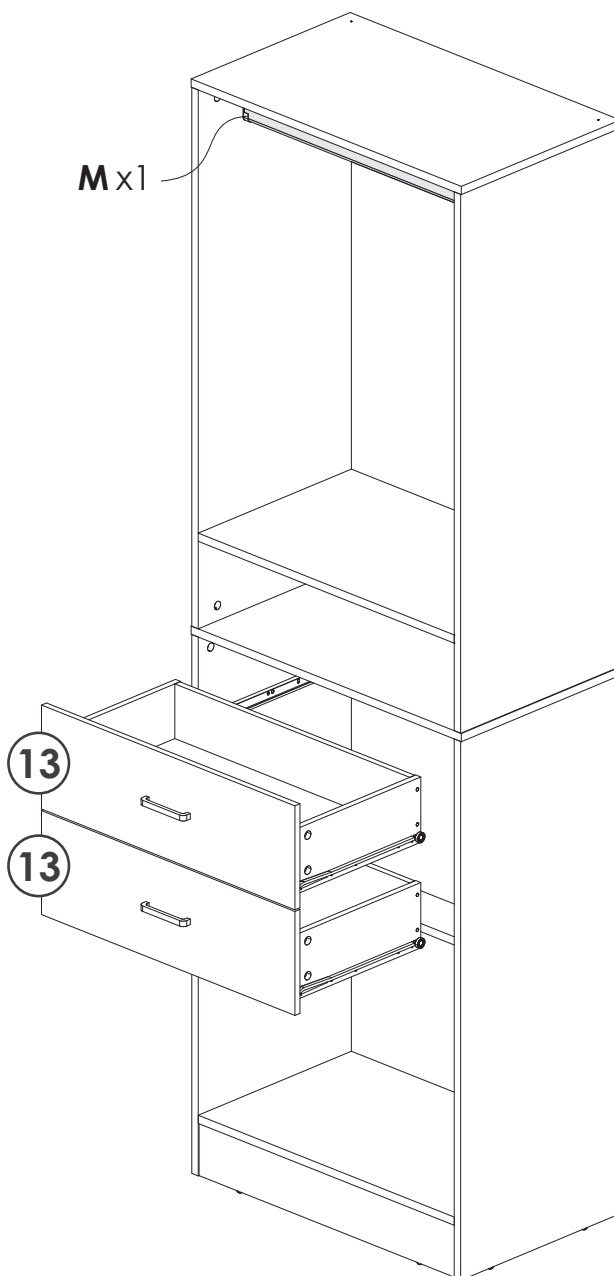


x2

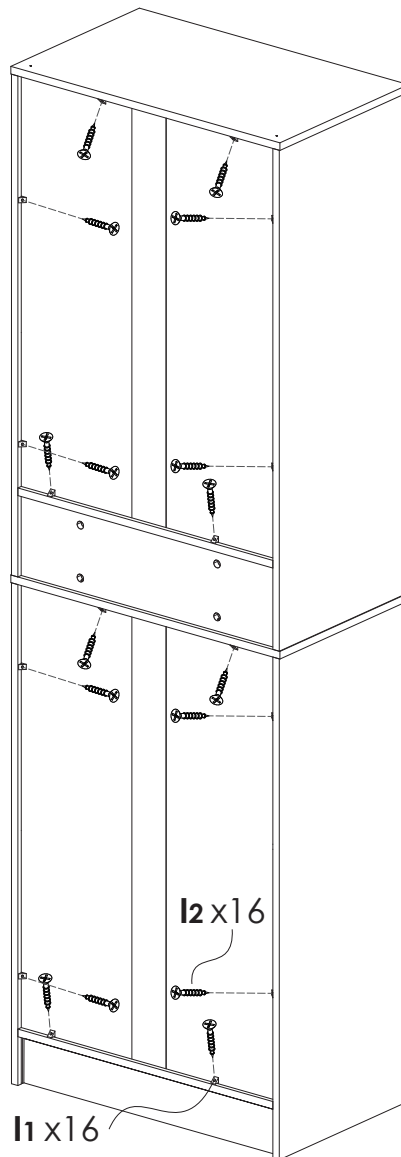
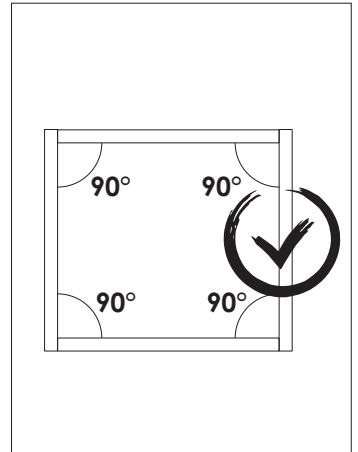
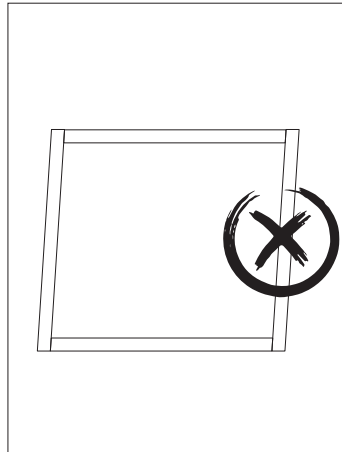
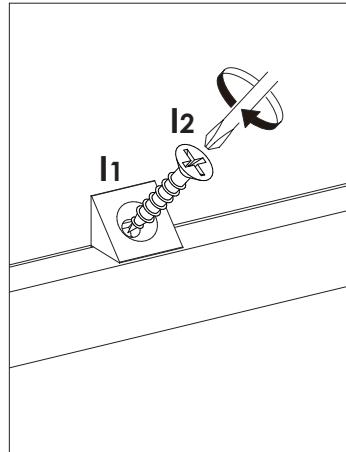
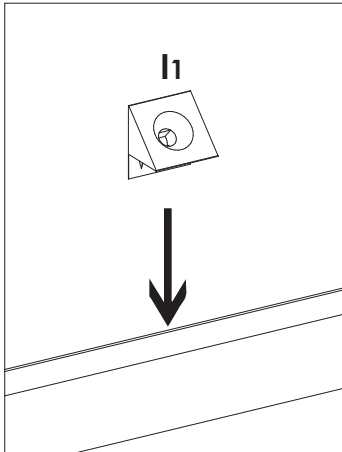
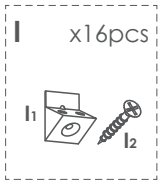
18



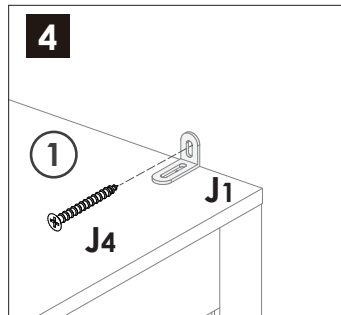
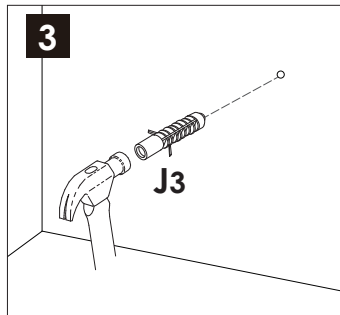
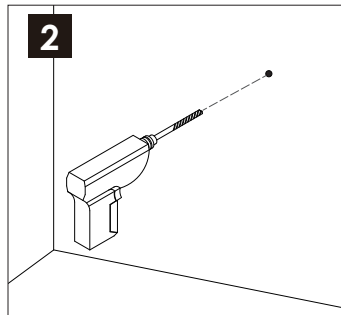
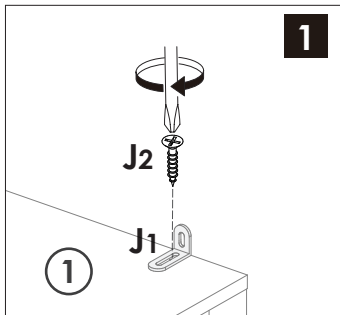
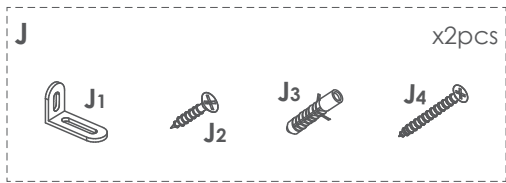
Note: Place fitting **M** between two fittings **N**.



19



20



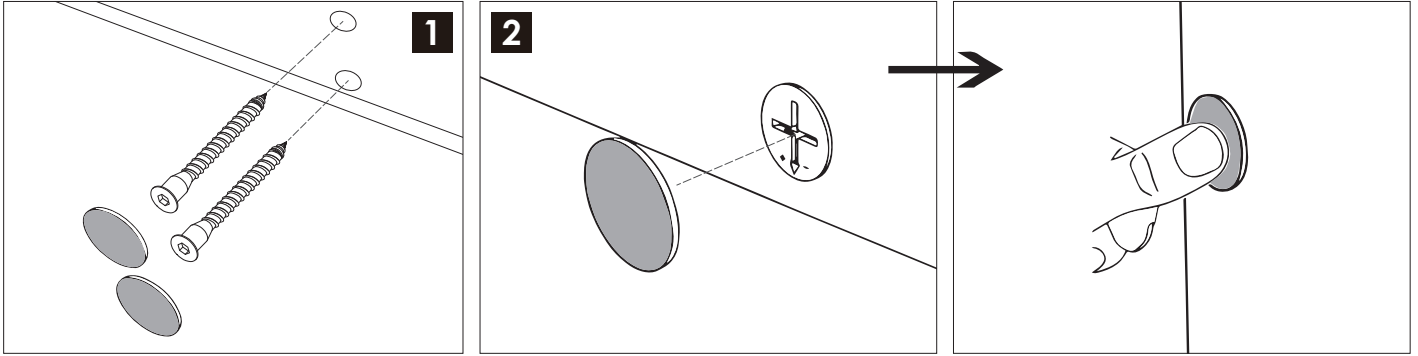
Mandatory!

For safety reasons, we recommend you follow these instructions to install the anti-tipping hardware, when installed properly, this hardware may prevent the unit from tipping unexpectedly.

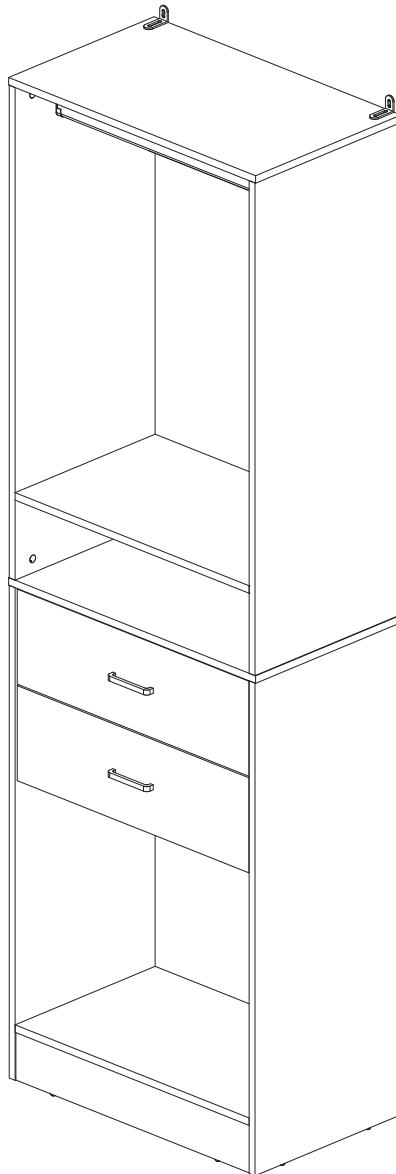
-WARNING -Serious injury can occur if furniture tips over. Place heavy items on lower shelved and as far back as possible.

21

L 24pcs
21mm



Add **L** fittings to all exposed holes on the front of the product



WARRANTY

We provide an **18-month** warranty on the product starting from the date of the original purchase. If the product has any manufacturing defect, please contact us through email with details about the problem. We will send you further information about the return or exchange.