

Avalla

Steam Mop



T-5



T-9



T-20

Read this manual carefully before use and keep it for future reference. Failure to do so may result in injury, property damage and may void the warranty.

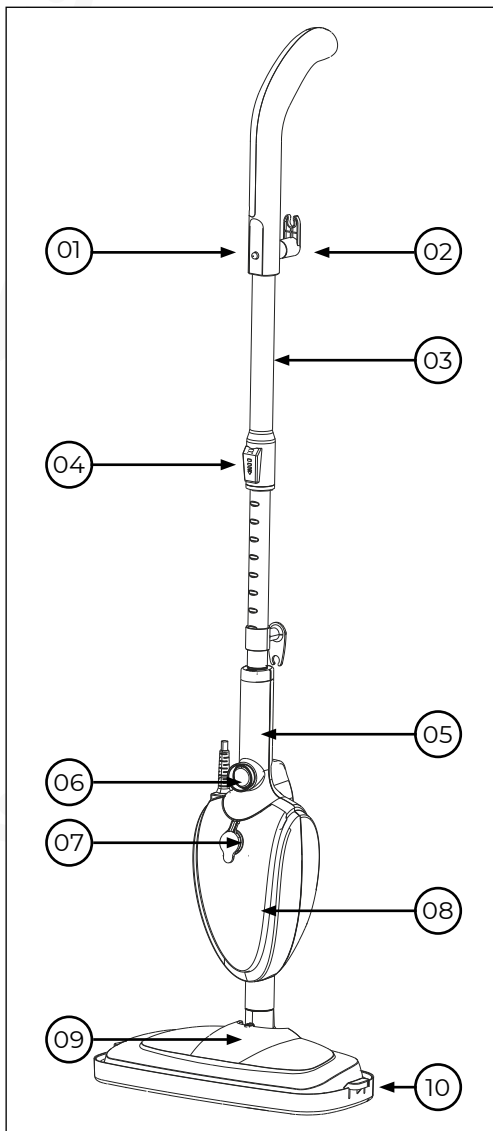


Contents

02	Contents
03	Quick start guide: T-5
	• Parts guide
04	• Assembly and operation
04	• Accessories
05	Quick start guide: T-9
	• Parts guide
06	• Assembly and operation
06	• Accessories
07	Quick start guide: T-20
	• Parts guide
08	• Assembly and operation
09	Health and safety
	• General safety instructions
	• Disposal
11	Troubleshooting
11	Specifications

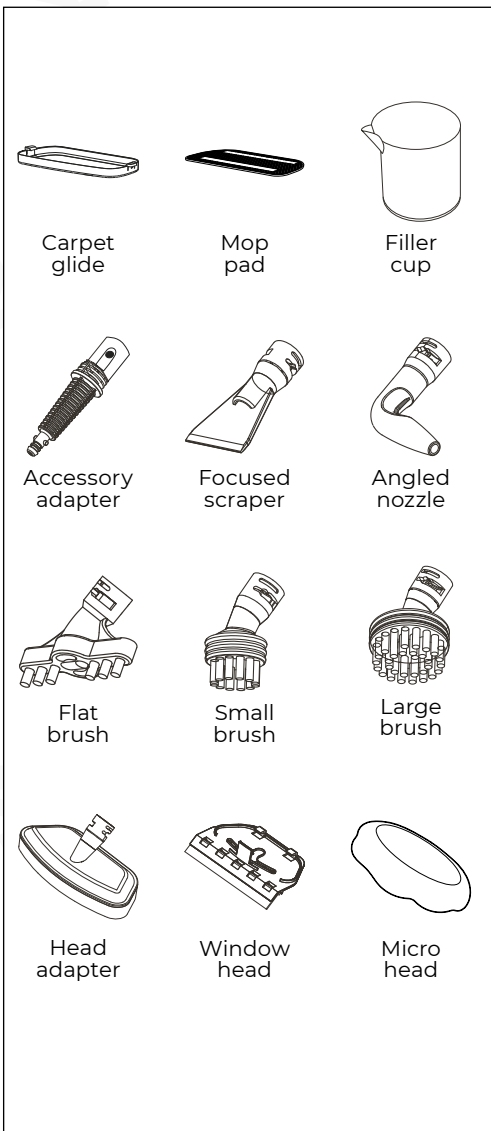
Quick start guide: T-5

Parts guide

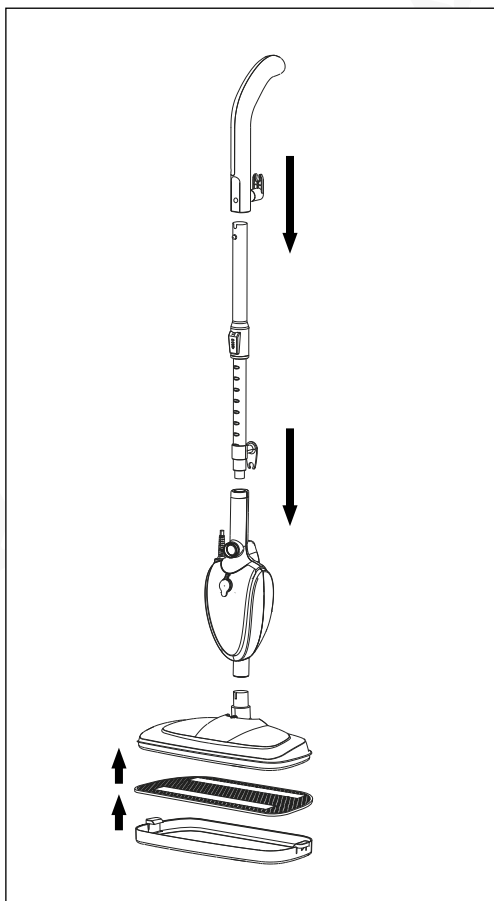


- 01. Handle
- 02. Power cable tidy
- 03. Telescopic extension
- 04. Telescopic catch
- 05. Body

- 06. Power button
- 07. Filler port
- 08. Water tank
- 09. Steam head
- 10. Carpet glide



Assembly and operation

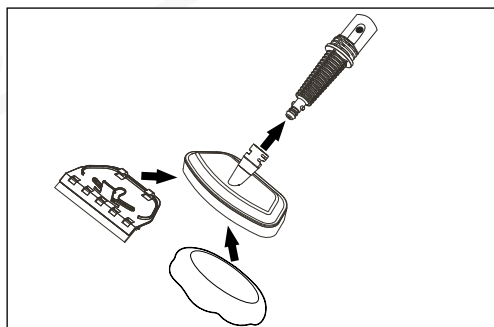


- Slot the handle over the telescopic extension and click into place.
- Slot the telescopic extension and steam head into the body.
- Attach a mop pad to the underside of the steam head.
- Open the filler port. Using the filler cup, fill the water tank to the max line. Close the filler port.
- For carpet cleaning, clip on the carpet glide.
- Power on the unit and allow it to reach temperature.

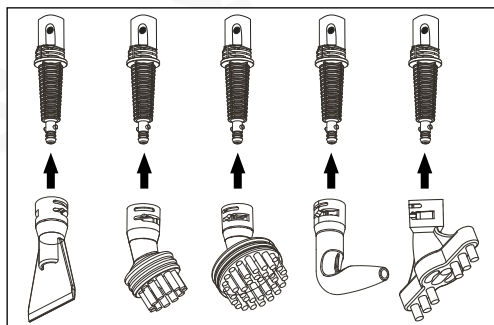
Accessories

Warning: Make sure the unit is fully cooled and unplugged from the mains before swapping parts. Make sure attachments are securely locked in place before use.

The body can be detached from the telescopic extension and steam head, becoming a portable and versatile steam cleaner with a range of accessories.



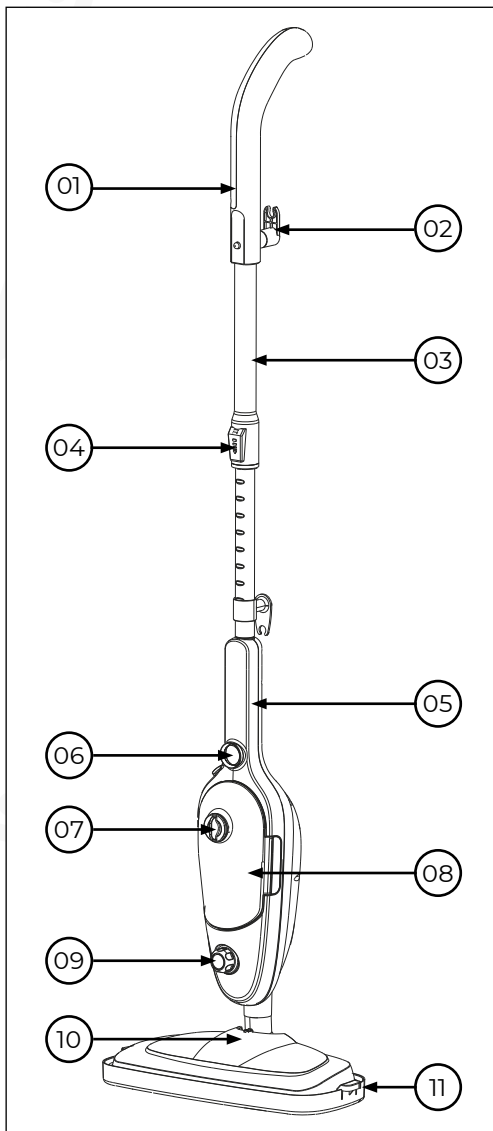
Slot the accessory adapter into the body. The head adapter can be used with either the micro head or window head.



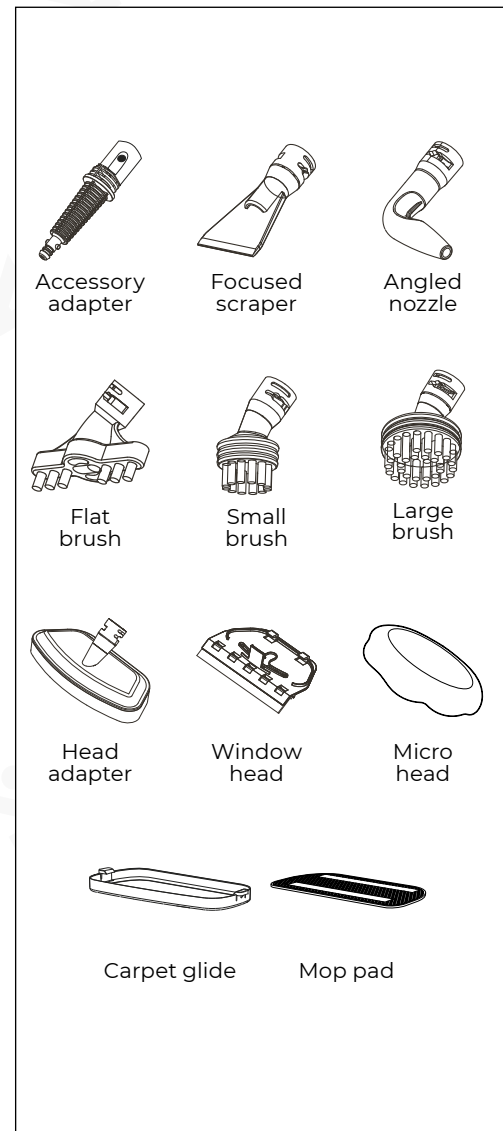
The accessory adapter is used for all brushes, the nozzle and scraper attachments.

Quick start guide: T-9

Parts guide

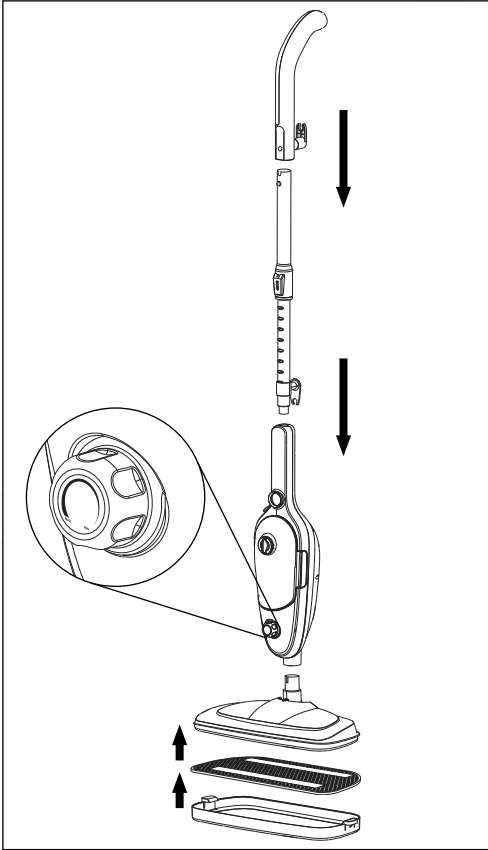


- 01. Handle
- 02. Power cable tidy
- 03. Telescopic extension
- 04. Telescopic catch
- 05. Body
- 06. Power button



- 07. Filler port
- 08. Water tank (removable)
- 09. Temperature dial
- 10. Steam head
- 11. Carpet glide

Assembly and operation

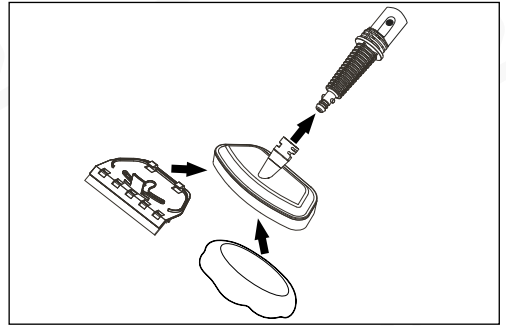


- Slot the handle over the telescopic extension and click into place.
- Slot the telescopic extension and steam head into the body.
- Attach a mop pad to the underside of the steam head.
- Detach water tank. Open the filler port and fill the water tank to the max line. Close the filler port.
- Adjust the steam temperature using the temperature dial.
- For carpet cleaning, clip on the carpet glide.
- Power on the unit and allow it to reach temperature.

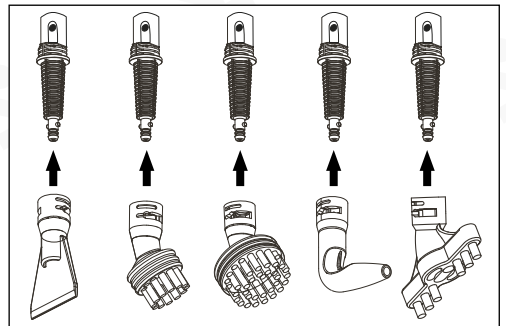
Accessories

Warning: Make sure the unit is fully cooled and unplugged from the mains before swapping parts. Make sure attachments are securely locked in place before use.

The body can be detached from the telescopic extension and steam head, becoming a portable and versatile steam cleaner with a range of accessories.



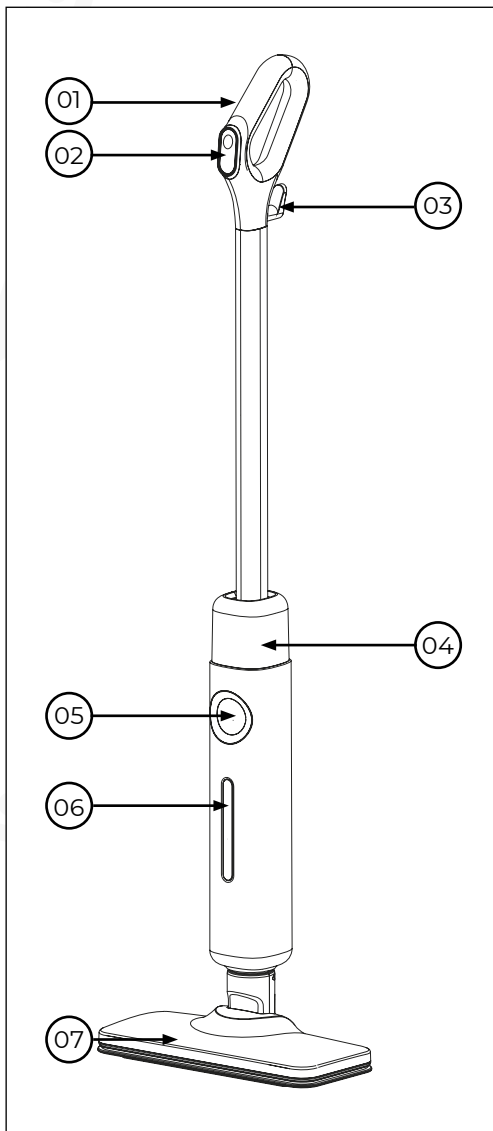
Slot the accessory adapter into the body. The head adapter can be used with either the micro head or window head.



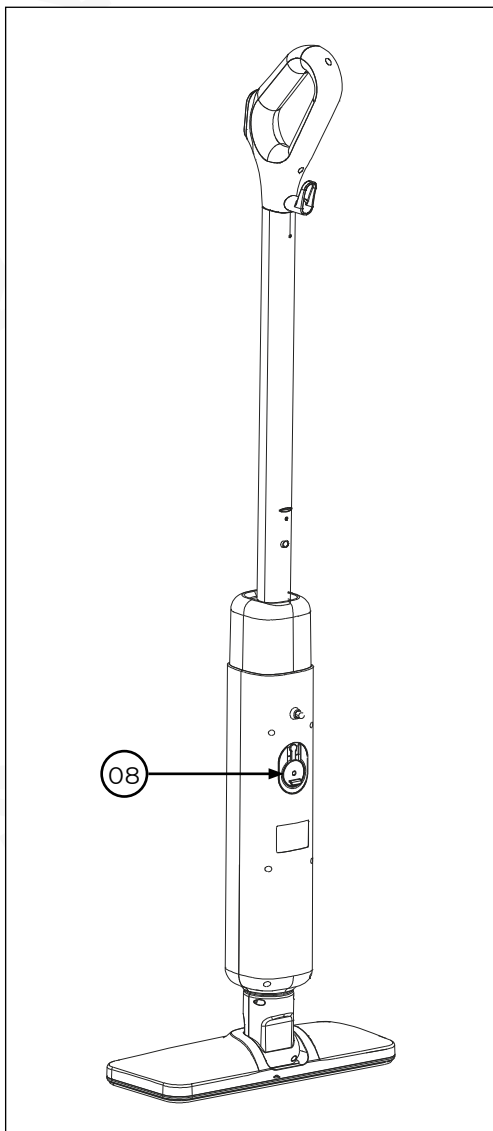
The accessory adapter is used for all brushes, the nozzle and scraper attachments.

Quick start guide: T-20

Parts guide

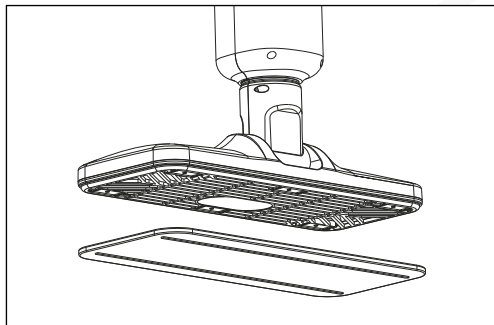
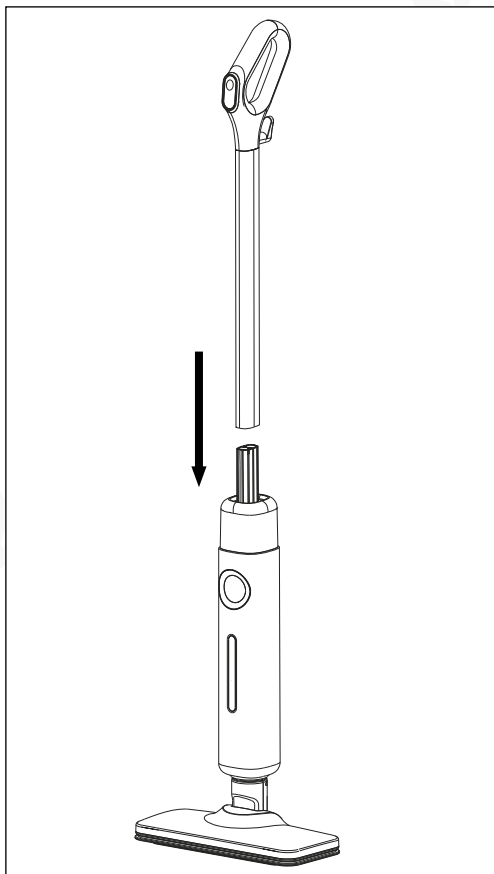


- 01. Handle
- 02. Power button
- 03. Power cable tidy
- 04. Body

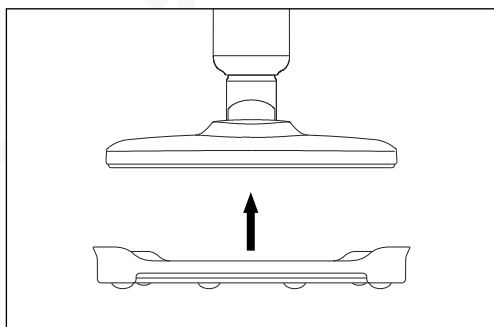


- 05. Temperature display
- 06. Water level window
- 07. Steam head
- 08. Filler port

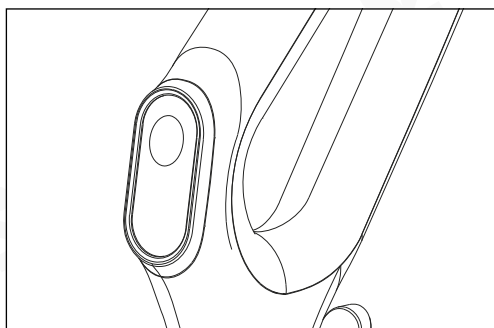
Assembly and operation



Mop pad installation.



For carpet cleaning, clip on the carpet glide.



High power mode:
Produces high levels of steam up to 120°C

Max power mode:
Produces the maximum amount of steam for intense cleaning.

- Ensure the unit is unplugged from the power supply.
- Slot the handle into the body and clip into place.
- Attach a mop pad to the underside of the steam head.
- Open the filler port. Using the filler cup, fill the water tank to the max line. Close the filler port.
- For carpet cleaning, clip on the carpet glide.
- Press the power button once to turn on to high power. Press again for max power. Press once more to power off.

Health and safety

General safety instructions

Symbols from the unit, packaging and instruction manual



WEEE - Waste Electrical & Electronic Equipment. Do not dispose of Waste Electrical & Electronic Equipment in with domestic rubbish.



Read the instruction manual



UK Conformity Assessed



Class I Construction (Earthed)



European Conformity

IPX4

Ingress protection rating. Resistant to water splashing against the enclosure from any direction shall have no harmful effect.

The following must always be observed for safety

Warning: Danger of scalding. The steam emitted from the appliance is very hot and may cause scalding. Please use caution when using the appliance.

- This appliance is not intended to be used by children, keep it away from children. Persons with lack of experience or knowledge, reduced physical, sensory, or mental capabilities, can use this appliance if they have been given supervision or instruction concerning use of the appliance in a safe way.
- When in use never turn the appliance over on its side or direct steam toward people, pets or plants.
- Component parts must only be replaced with identical repair parts.
- The appliance must be disconnected from its power source during servicing, cleaning or when not in use. Do not use chemicals to clean the appliance.
- Always operate the unit from power outlet of equal voltage, frequency and rating as indicated on the product identification plate.
- Do not operate with wet hands. Be careful not to allow any sources of water, moisture, or any other liquids to come into contact with any areas of the unit other than the water tank and steam outlet.
- Do not leave the unit running unattended. Do not unplug the unit while it is in operation.
- Do not put any objects into the steam nozzle openings. Discontinue use if the steam nozzle is blocked.
- Do not unplug by pulling on the power cord, use cord as a handle, close a door on cord, or pull cord around sharp edges or corners. Do not run the appliance over the cord. Keep the cord away from heated surfaces.
- Do not put objects on the unit, climb or sit on the unit.
- Do not operate the unit if it is dropped, damaged or showing signs of product malfunction.
- The unit must be installed in accordance with national wiring regulations.
- The appliance must be stored in a manner to prevent mechanical damage.
- Do not place in direct sunlight or near objects that may cause mechanical vibration or shock.
- Do not use the appliance where combustible / flammable gases or vapours are present.
- Do not use the appliance outdoors, it is designed only for indoor use.
- Do not use for space-heating purposes.
- Do not put hands or feet under the appliance. It gets very hot.
- Do not use on leather, wax-polished furniture, synthetic fabrics, velvet, or other delicate, steam-sensitive materials.

- Do not add cleaning solutions, scented perfumes, oils, or any other chemicals to the water used in the appliance. If you live in a hard-water area, we recommend using distilled water in your appliance.
- Never leave any mop pad in one spot while using or storing for any period of time.
- The liquid or steam must not be directed towards equipment containing electrical components, such as the interior of ovens.
- When cleaning the exterior of the appliance, unplug the power cord from the electrical outlet and clean the appliance with a dry or damp cloth.
- Extreme caution should be exercised when using the appliance to clean stairs.
- Never use appliance without the mop pad attached unless otherwise specified in this manual.
- Keep your work area well lit.
- Store appliance indoors in a cool, dry place.
- To avoid circuit overload, do not operate another appliance on the same socket (circuit) as the appliance.
- If the supply cord is damaged, it must be replaced by the manufacturer, its service agent or similarly qualified persons in order to avoid a hazard.
- To avoid scalding injuries, always unplug and allow the appliance to cool before removing or changing mop heads or accessories.
- This appliance is designed to clean hard-floor surfaces that will withstand high heat. Do not use on unsealed wood or unglazed ceramic floors. On surfaces that have been treated with wax and on some no-wax floors. It is always recommended to test an isolated area of the surface to be cleaned before proceeding. We also recommend that you check the use and care instructions from the floor manufacturer.


Connection to power supply

Caution: Risk of electric shock. Do not open.

- This appliance is supplied with a moulded 3 pin mains plug for your safety. The value of the fuse fitted is marked on the pin face of the plug. Should the fuse need replacing, ensure the substitute is of the correct rating, approved to BS1362 and ASTA or BSI Kite marked.

ASTA: 

BSI: 

- The fuse cover is removable with a small plain slot screwdriver. Ensure the fuse cover is replaced before attempting to connect the plug to an electrical outlet. If the cover is missing, a replacement must be obtained or the plug replaced with a suitable type.
- If a replacement plug is to be fitted this must be carried out by a qualified electrician.
- The damaged or incomplete plug, when cut from the cable should be disabled to prevent connection to a live electrical outlet.
- This appliance is Class I and is designed for connection to a power supply matching that detailed on the rating label and compatible with the plug fitted.
- If an extension lead is required, use an approved and compatible lead rated for this appliance. Follow all the instructions supplied with the extension lead.
- Class I : Products with this symbol must have metal parts connected to electrical earth by an earth conductor. The basic requirement is that no single failure can result in dangerous voltage becoming exposed so that it might cause electric shock.
- Important: If using an extension lead, follow the instructions that came with your lead regarding maximum load while cable is wound. If in doubt, ensure that the entire cable is unwound. Using a coiled extension lead will generate heat which could melt the lead and cause a fire.

Failure to abide by any of these warnings could result in a fire, explosion, electric shock, injury, death, and property damage.

Disposal



Do not dispose of electrical appliances in general waste. Contact your local government for information regarding the disposal options available. If electrical appliances are disposed of in landfills or dumps, hazardous substances can leak into the groundwater and cause a hazard for wildlife and human health.

Troubleshooting

Issue	Solution
Steam is not produced	Ensure the water tank is topped up. Make sure the suction hose is submerged.
Too much water on ground after use	Check if mop pad is over saturated; replace or allow to dry.
Floor still dirty after use	Check mop pad is not too dirty. Stain may require pre-treatment.
Mop is difficult to push	Make sure mop pad is correctly installed. If on carpet, ensure the carpet glide is in place.

Specifications

	T-5	T-9	T-20
Steam pressure	1 Bar	1 Bar	1 Bar
Steam temp	100°C	100°C	120°C
Heating time	20 sec	20 sec	15 sec
Water tank capacity	280ml	450ml	500ml
Steam flow rate	25ml/min	18-42ml/min	20-47ml/min
Max runtime	10min	25min	25min
Power	230V	230V	230V
Weight	1.9 Kg	2.1 Kg	2.3 Kg



Did you know?

If a mop pad is heavily soiled, you can machine wash to extend its lifespan and cut down on waste. We recommend washing alone, on a medium cycle at 60°.

Avalla Ltd. Unit A 73, Common Road, Chandler's Ford,
Eastleigh, SO53 1HE. United Kingdom
Company no. 13477899
support@avalla.com