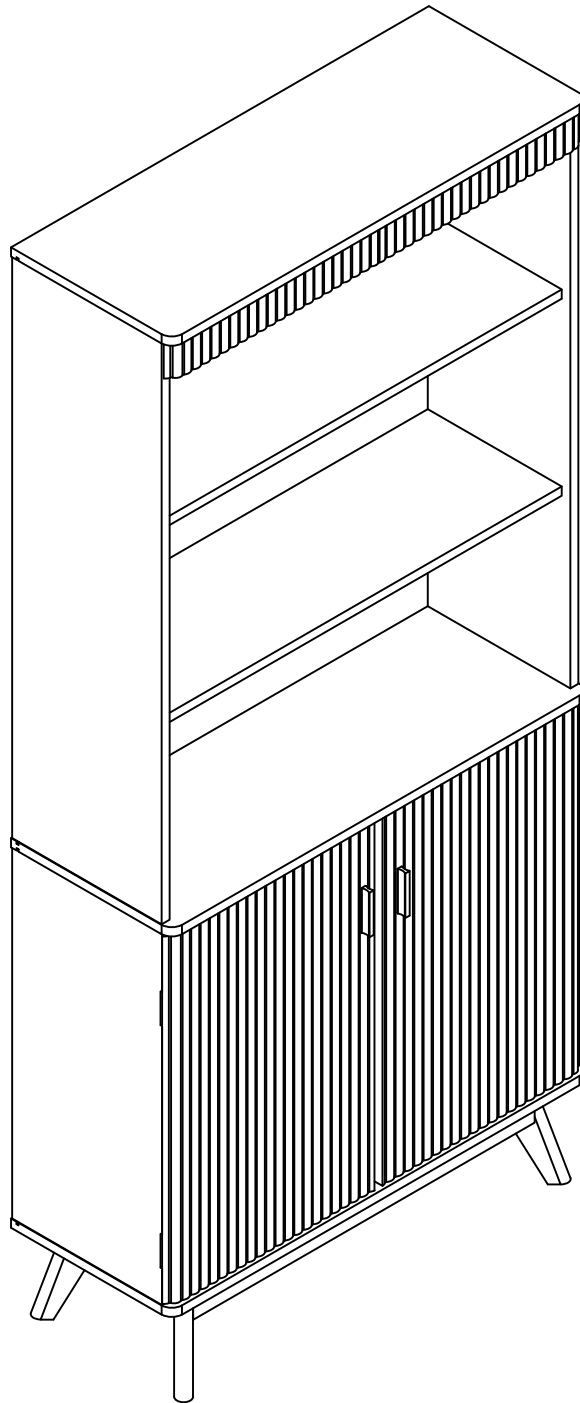


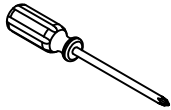
Installation Instruction



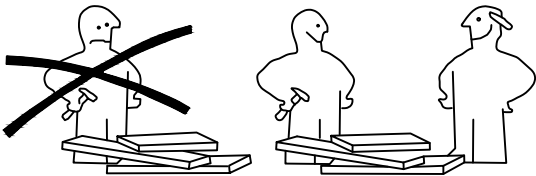
Assembling

What you need

- Use the packaging carton as a working surface to prevent product damage during assembly
- Phillips head screwdriver



Weight Limitation

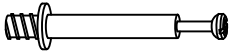


What' included

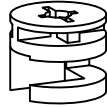
| Code | Description | Qty |
|------|-------------------------|-----|
| A | Cam Bolt M6X35MM | 33 |
| B | Cam Lock 15X10MM | 33 |
| C | Wooden Dowel M8X30MM | 28 |
| D | Screw M4X40MM | 10 |
| E | Screw M3.5X14MM | 2 |
| F | Cam Bolt M7X40MM | 4 |
| G | Nylon Strap | 2 |
| H | Screw M3.0X14MM | 62 |
| I | Hole position sticjer | 33 |
| J | The back button | 30 |
| K | Screw M4X18MM | 4 |
| L | MATS | 4 |
| M | Ron absorption | 2 |
| N | Metal shake handshandle | 2 |
| O | Shelf Holder | 4 |
| P | Anchor | 2 |
| Q | Wrench M4X55MM | 1 |
| R | Hinge | 4 |
| S | Metal iron sheet | 2 |
| T | Screw M3.0X12MM | 4 |

The Hardwares

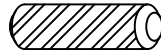
A



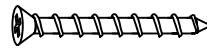
B



C



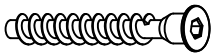
D



E



F



G



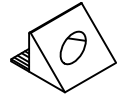
H



I



J



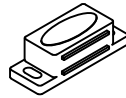
K



L



M



N



O



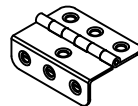
P



Q



R



S



T



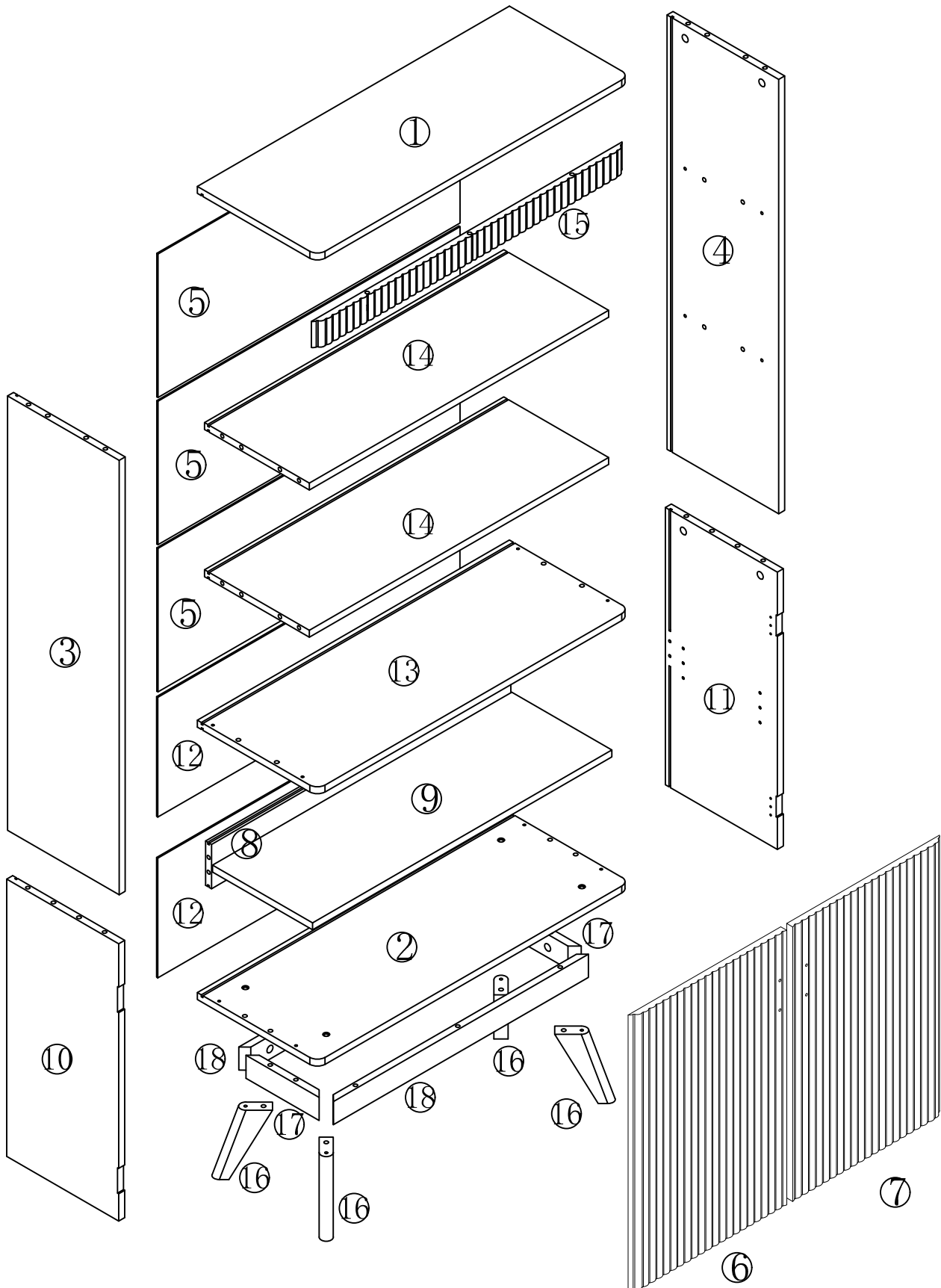
IMPORTANT:

1. Do not tighten bolts / screws completely until all bolts / screws are lined up and inserted into holes.
2. Do not over tighten screws and bolts to avoid stripping
3. Please use hand tools to assemble this product, you can also use power tools (please use power tools carefully)

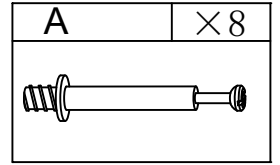
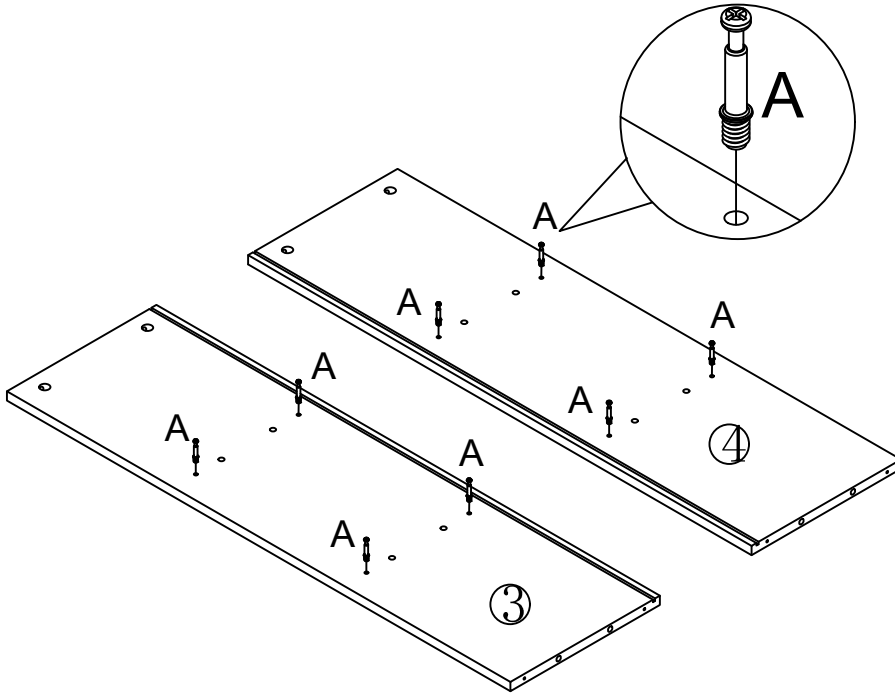
Included Accessories

| Code | Description | Qty |
|------|-------------------------------------|-----|
| 1 | Cabinet Top | 1 |
| 2 | Bottom Panel | 1 |
| 3 | Top Left Side Panel | 1 |
| 4 | Top Right Side Panel | 1 |
| 5 | Upper backplane | 3 |
| 6 | Door | 1 |
| 7 | Door | 1 |
| 8 | Bulkhead | 1 |
| 9 | Movable laminated plate | 1 |
| 10 | Left Side Panel | 1 |
| 11 | Right Side Panel | 1 |
| 12 | Backboard | 2 |
| 13 | Laminate | 1 |
| 14 | Laminate | 2 |
| 15 | Trim strip | 1 |
| 16 | Solid wood feet | 4 |
| 17 | Left and right reinforcement plates | 2 |
| 18 | Front and rear reinforcement plate | 2 |

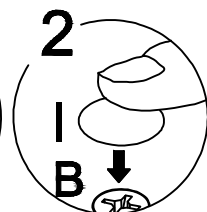
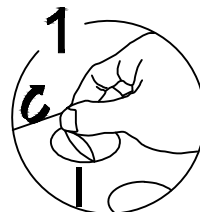
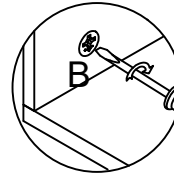
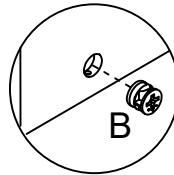
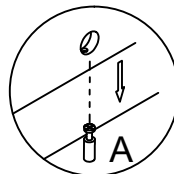
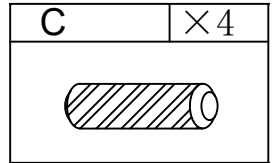
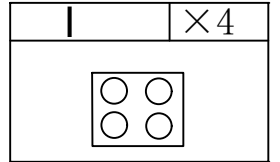
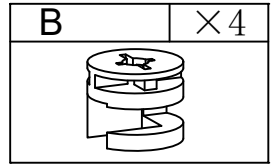
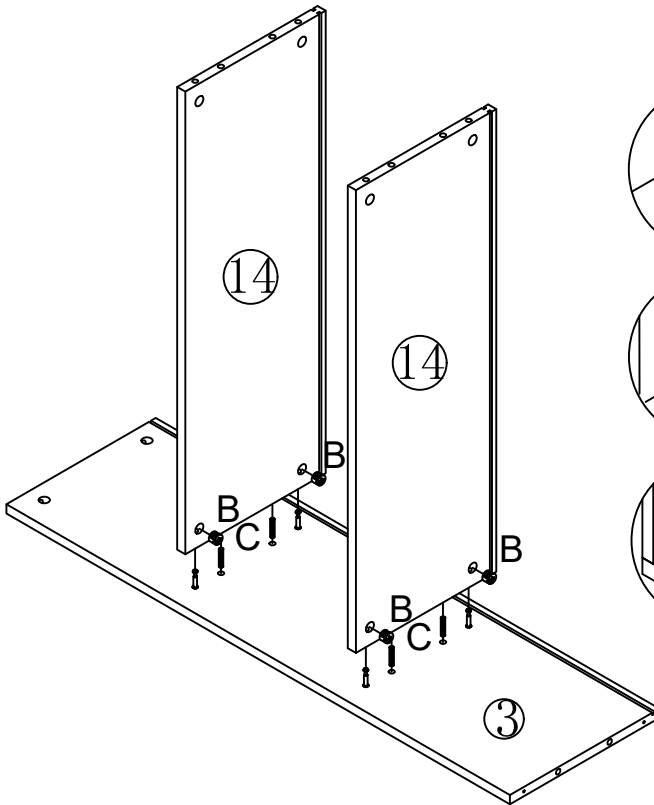
The Accessoriess



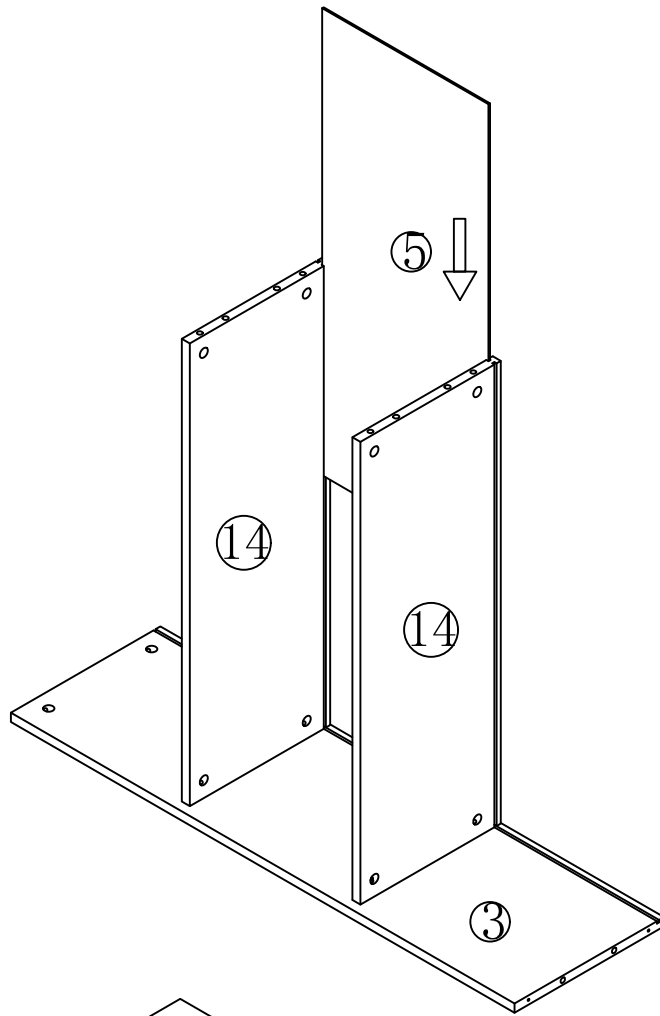
Step 1



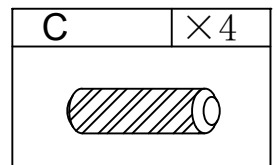
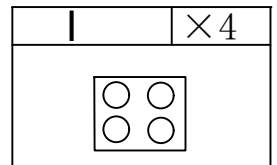
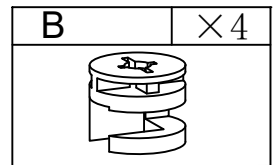
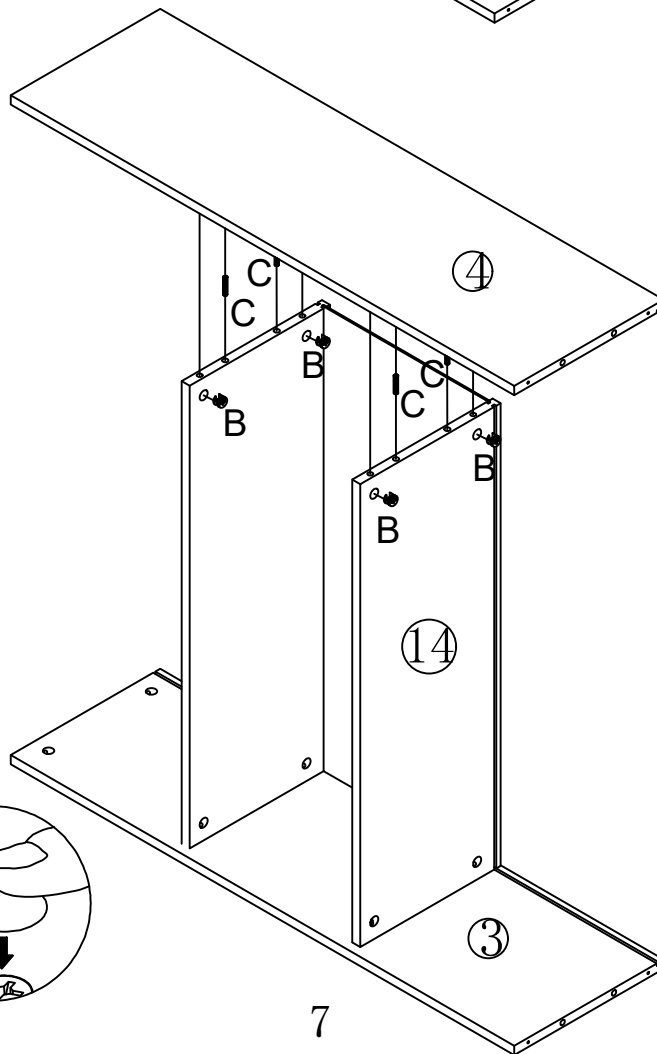
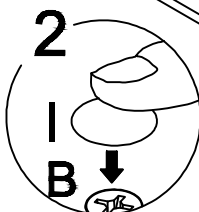
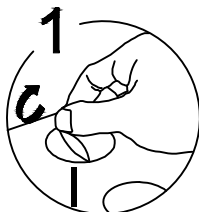
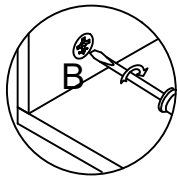
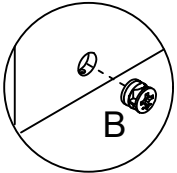
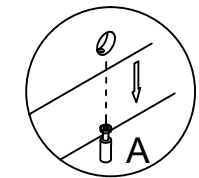
Step 2



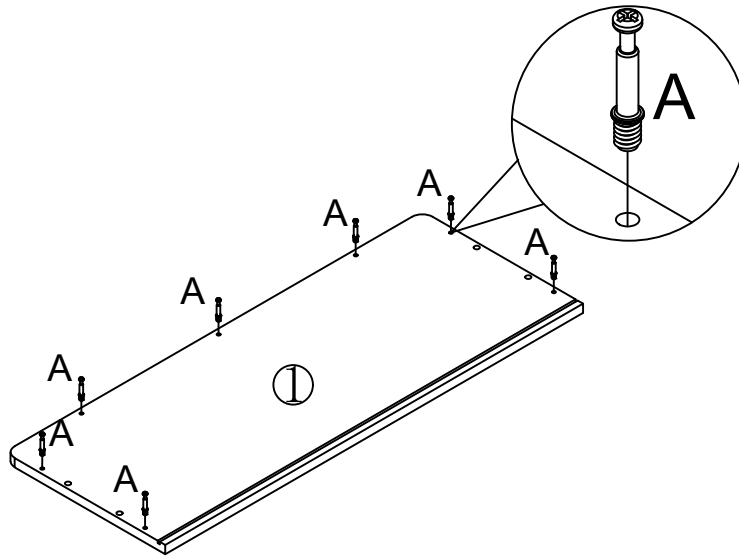
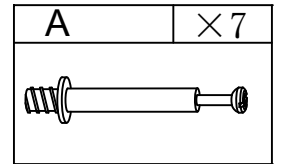
Step 3



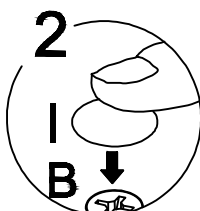
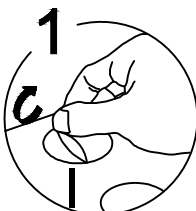
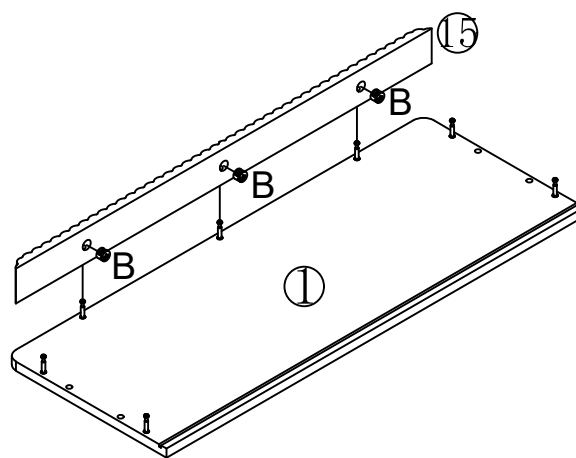
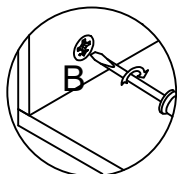
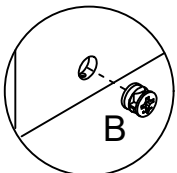
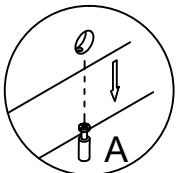
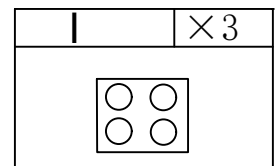
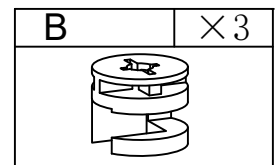
Step 4



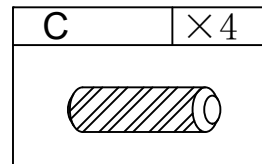
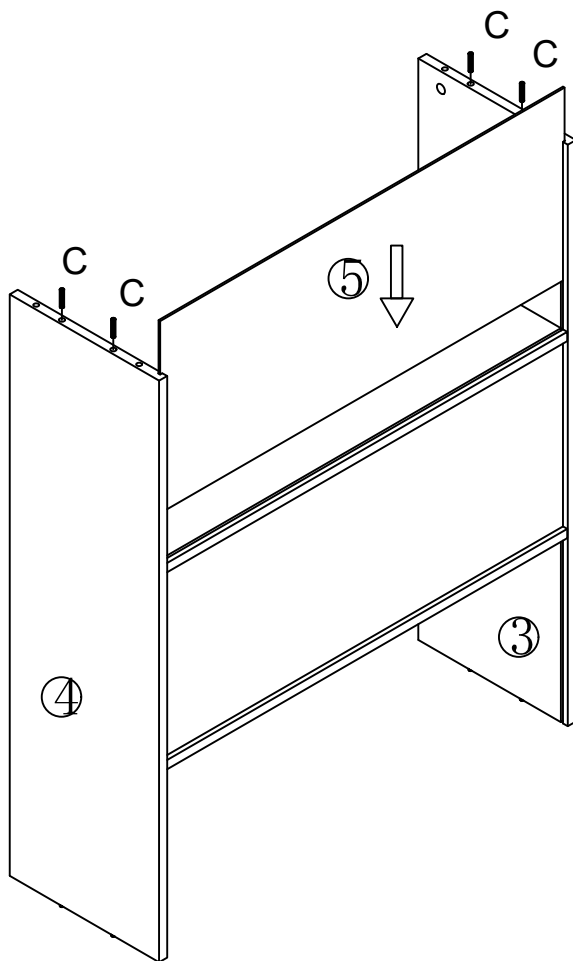
Step 5



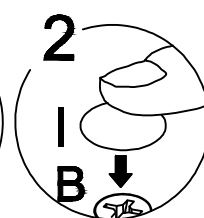
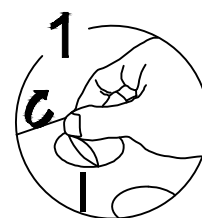
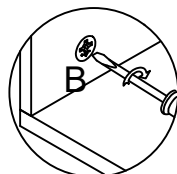
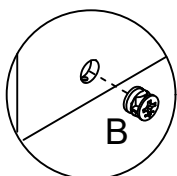
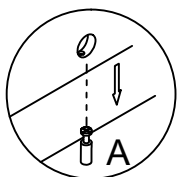
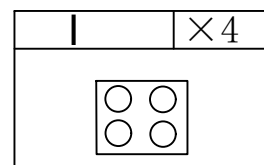
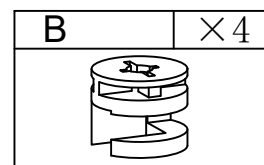
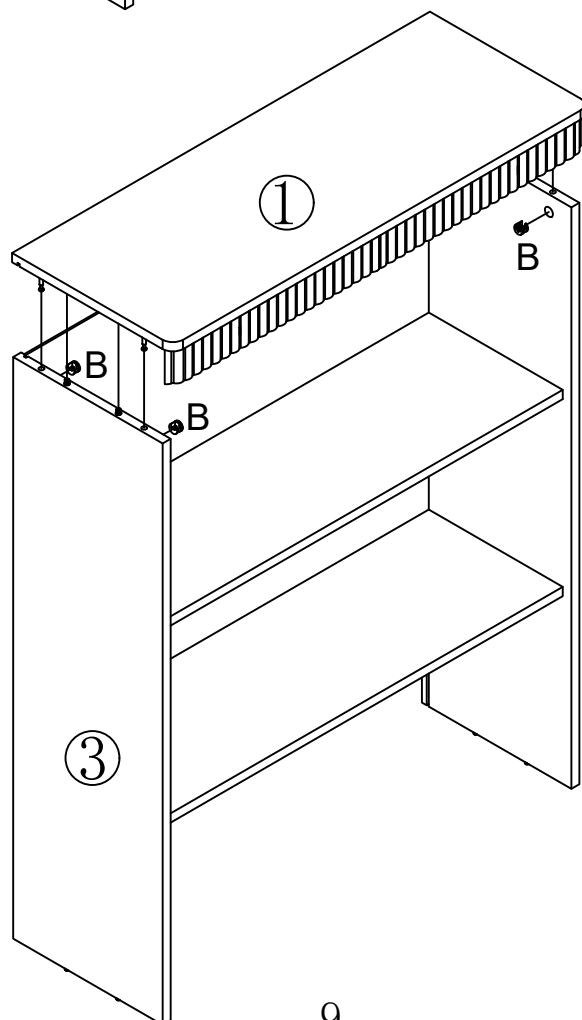
Step 6



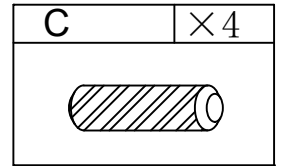
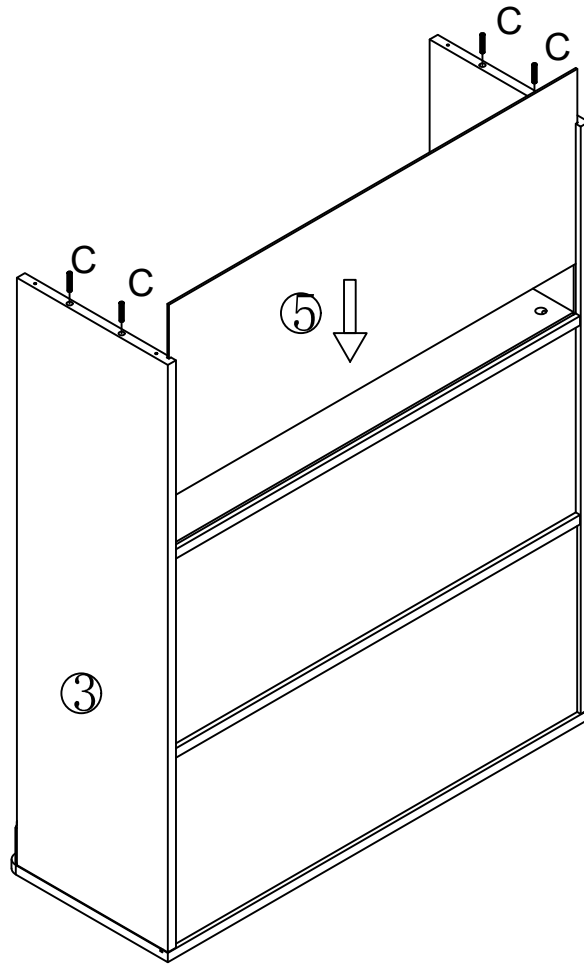
Step 7



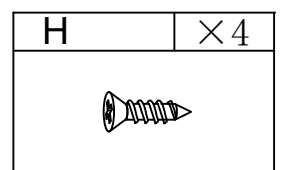
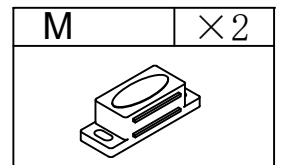
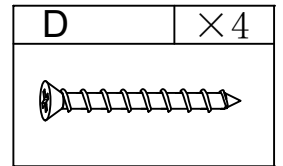
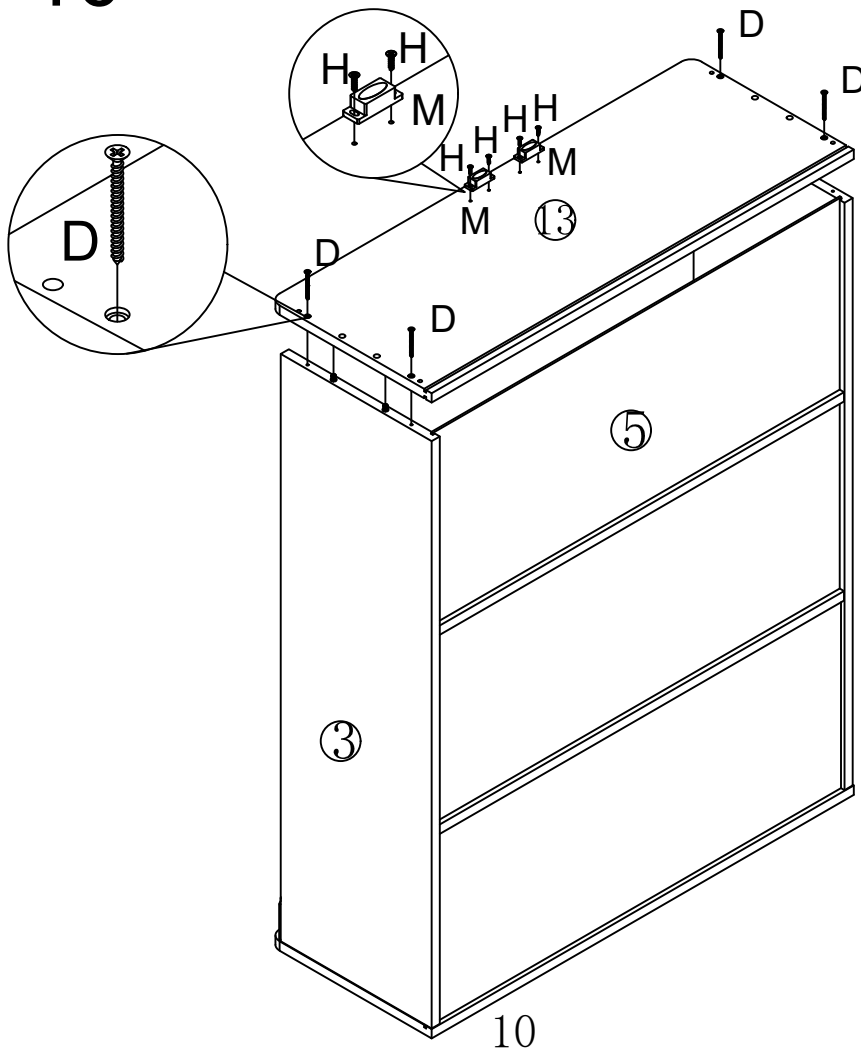
Step 8



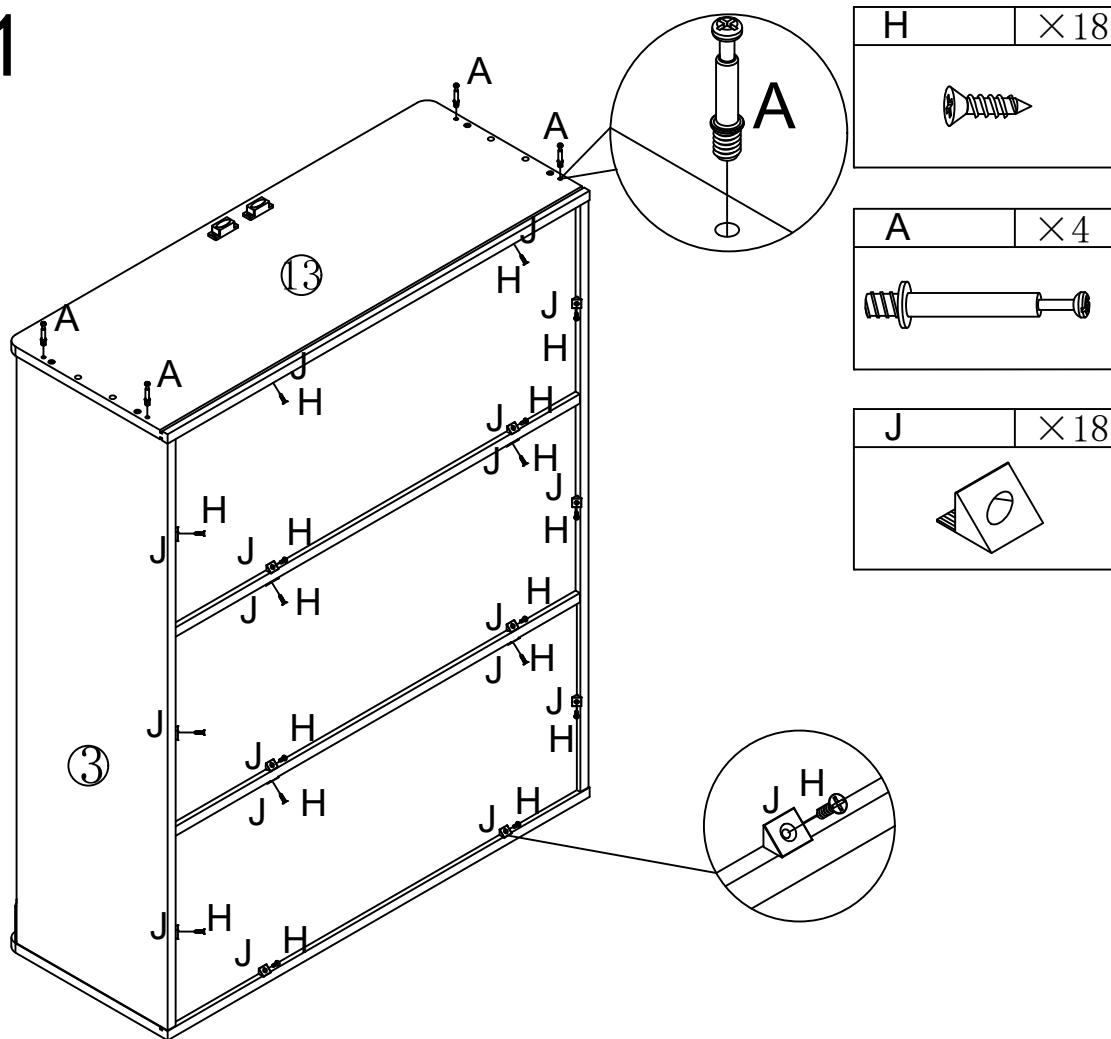
Step 9



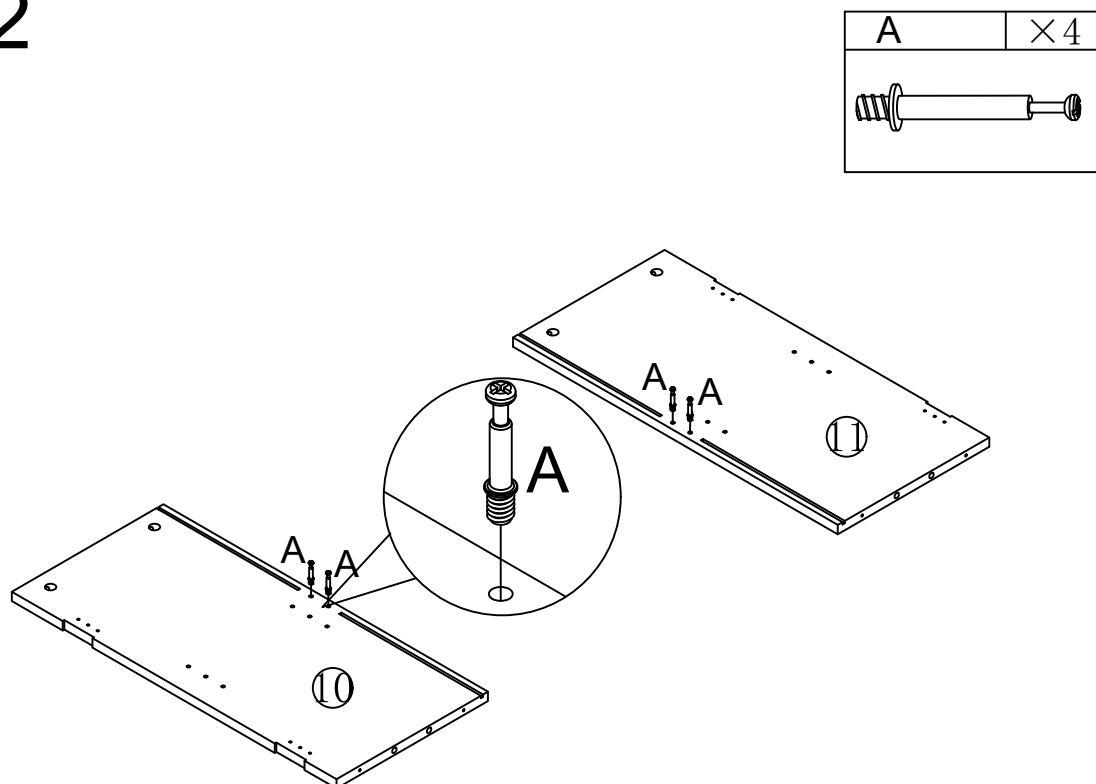
Step 10



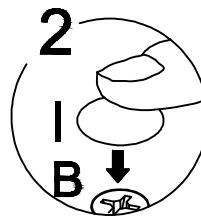
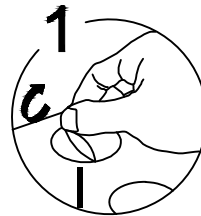
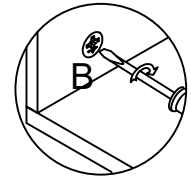
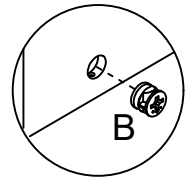
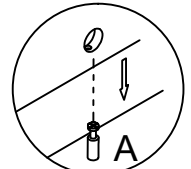
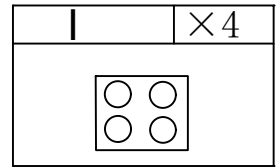
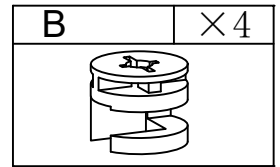
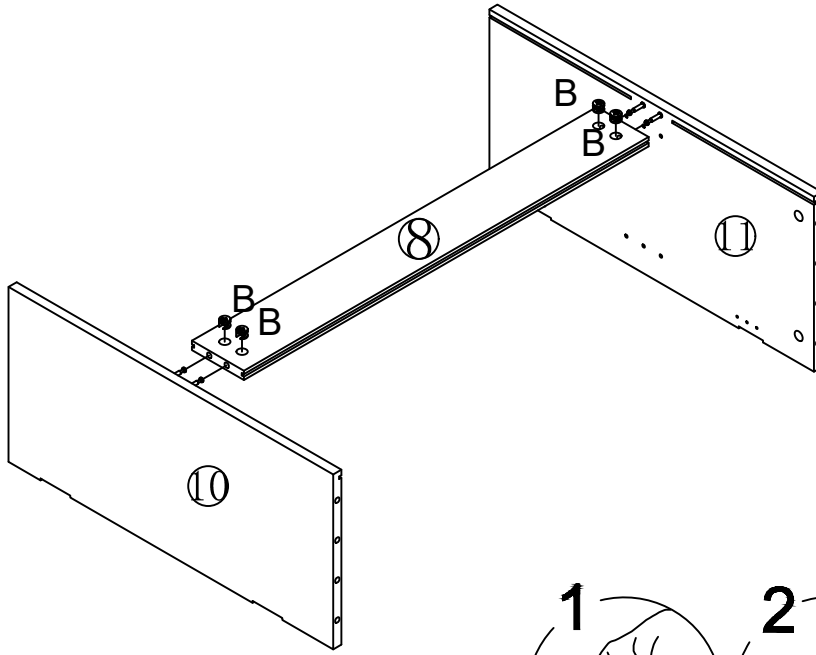
Step 11



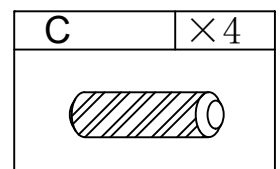
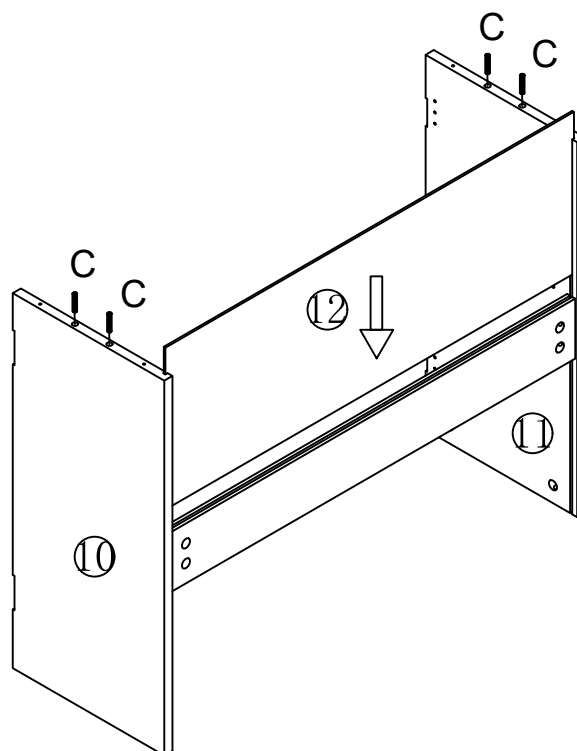
Step 12



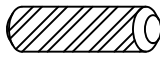
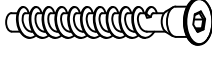

Step 13




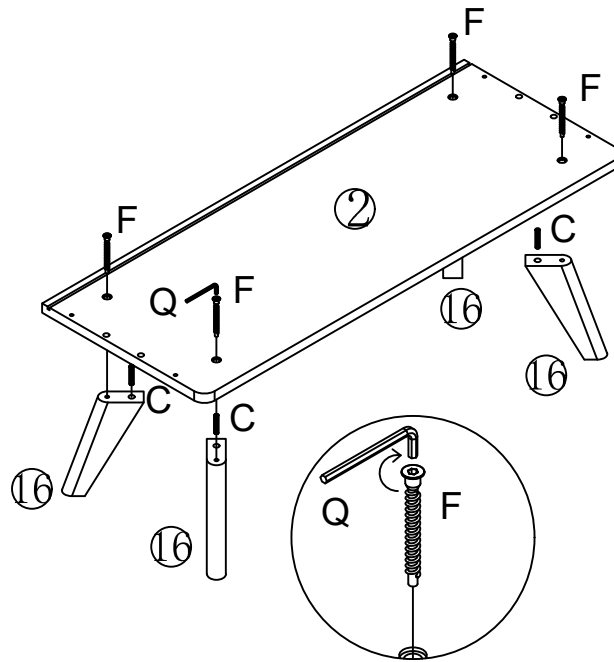
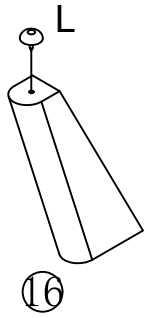
Step 14



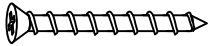
Step 15

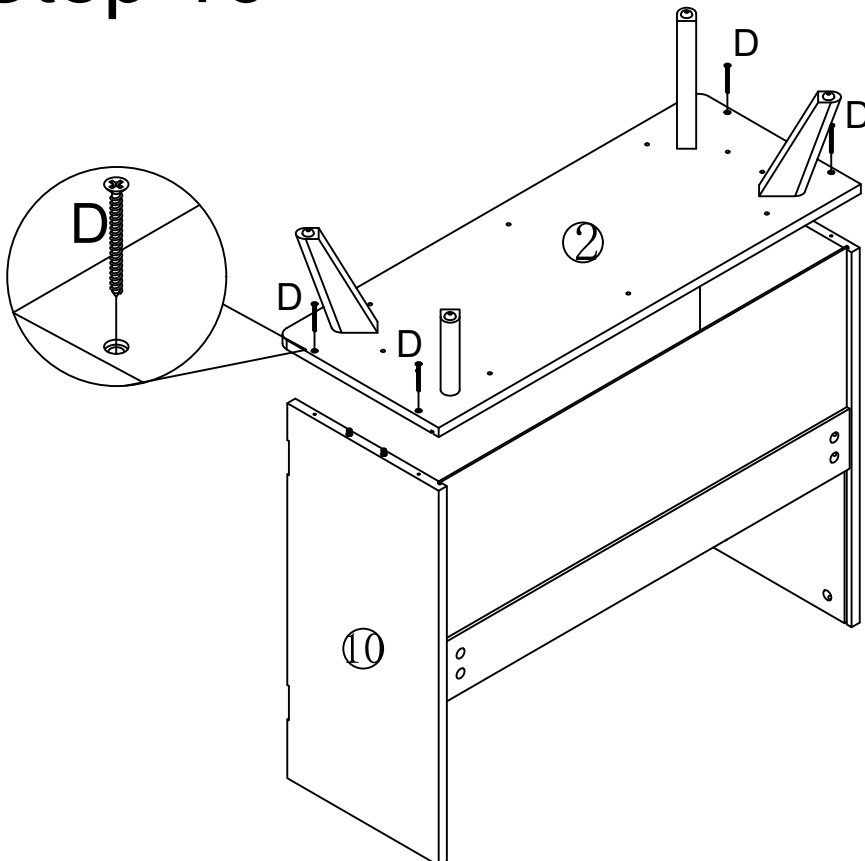
| | | | | | |
|---|----|--|----|---|----|
| C | ×4 | F | ×4 | Q | ×1 |
|  | |  | |  | |

| | |
|---|----|
| L | ×4 |
|  | |

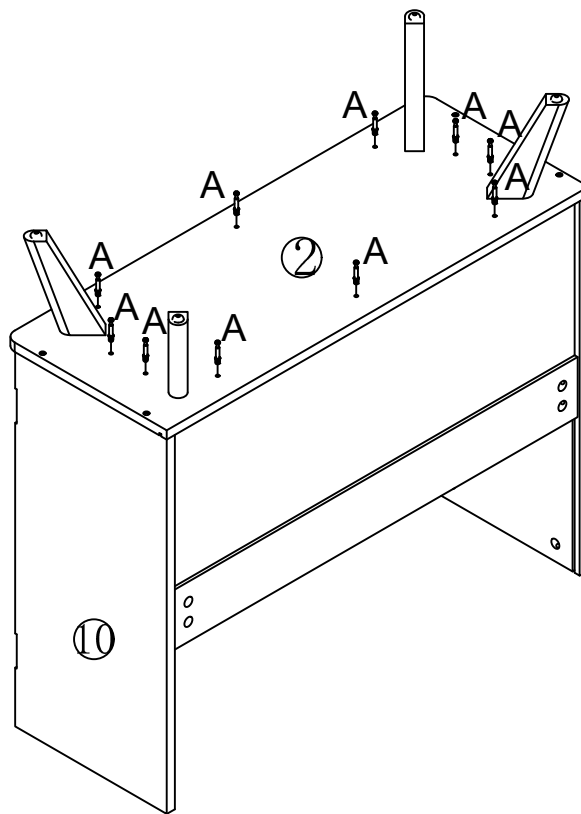
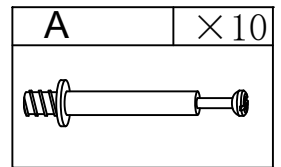


Step 16

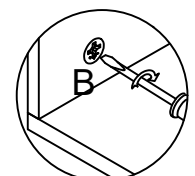
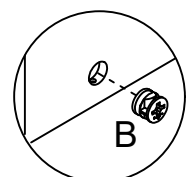
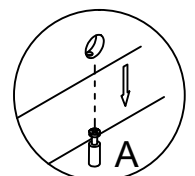
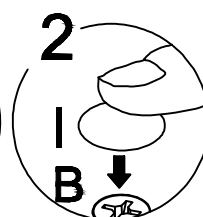
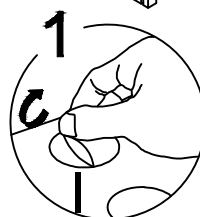
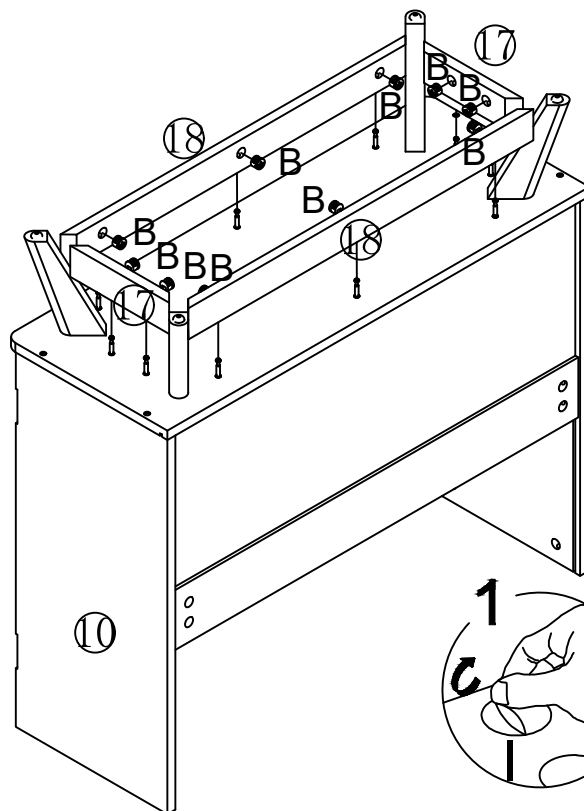
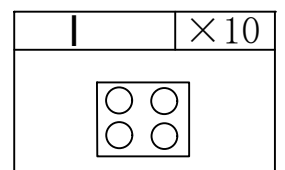
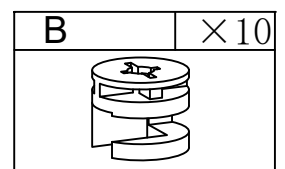
| | |
|---|----|
| D | ×4 |
|  | |



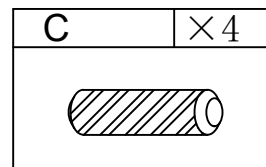
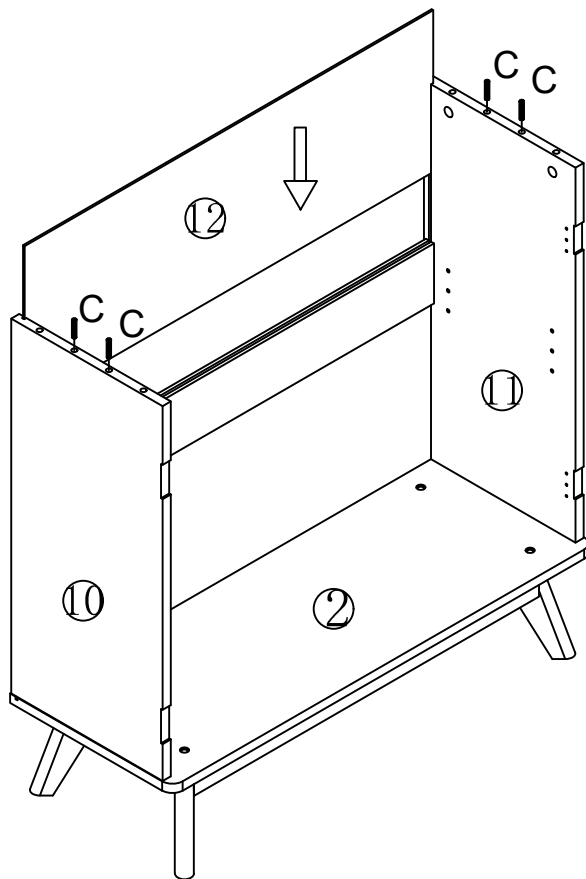
Step 17



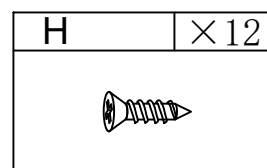
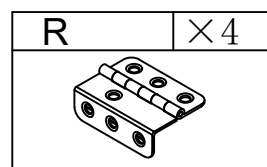
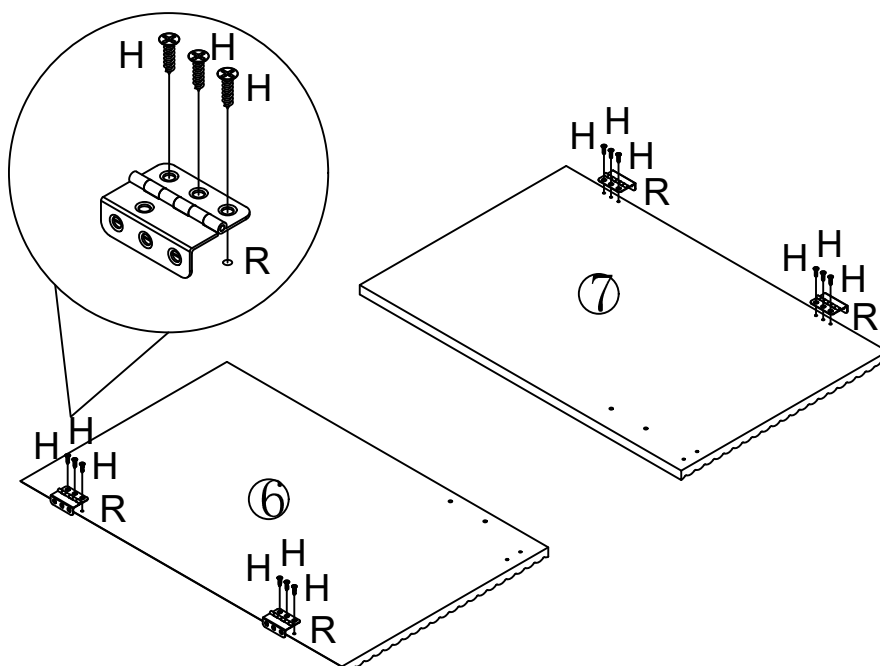
Step 18



Step 19



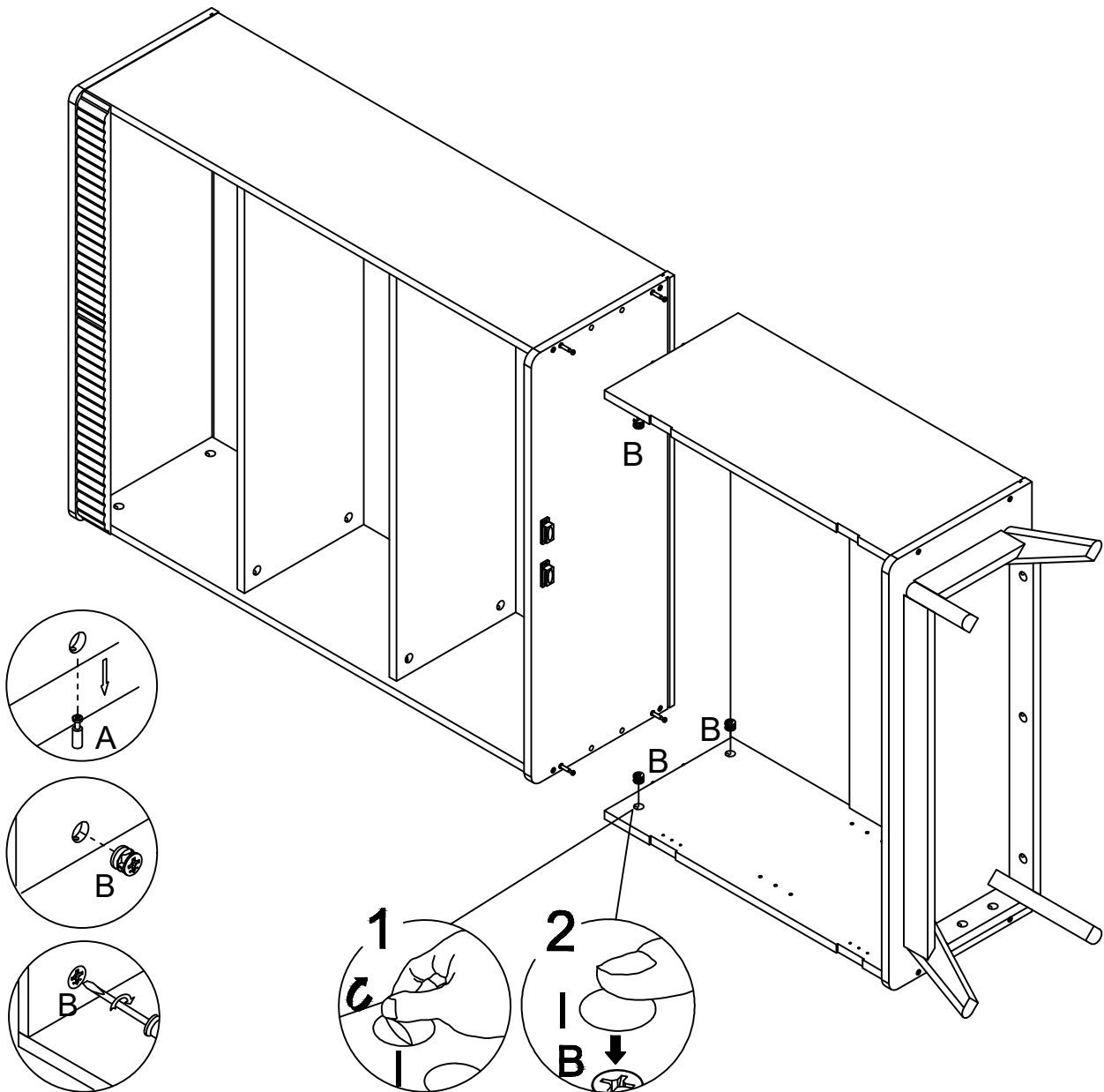
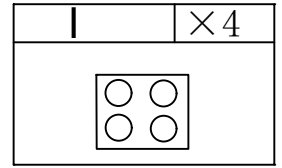
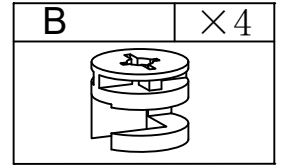
Step 20



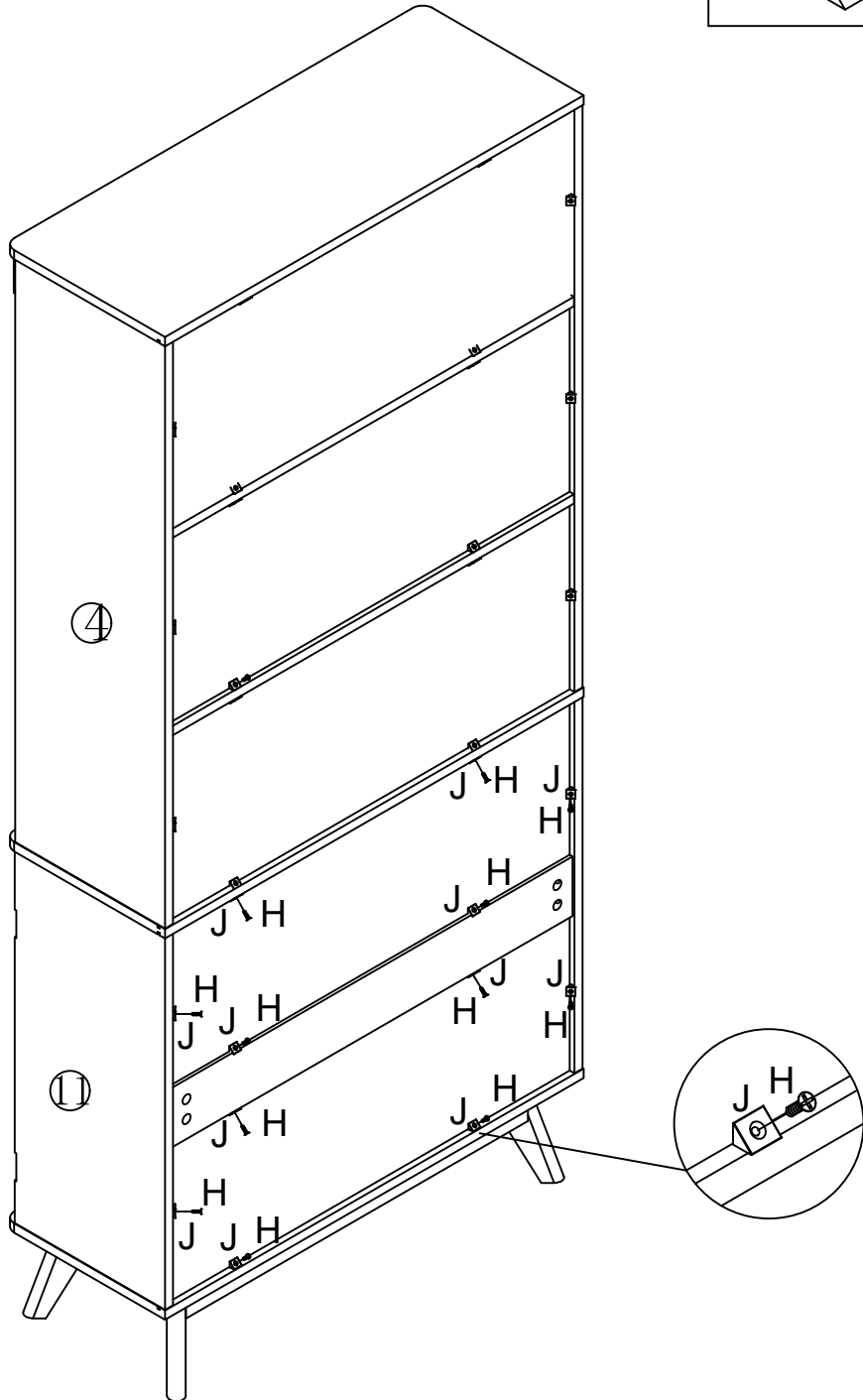
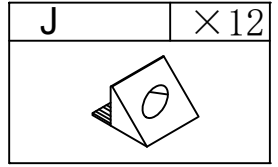
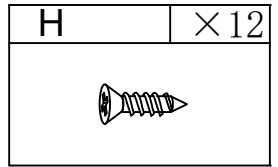
Step 21



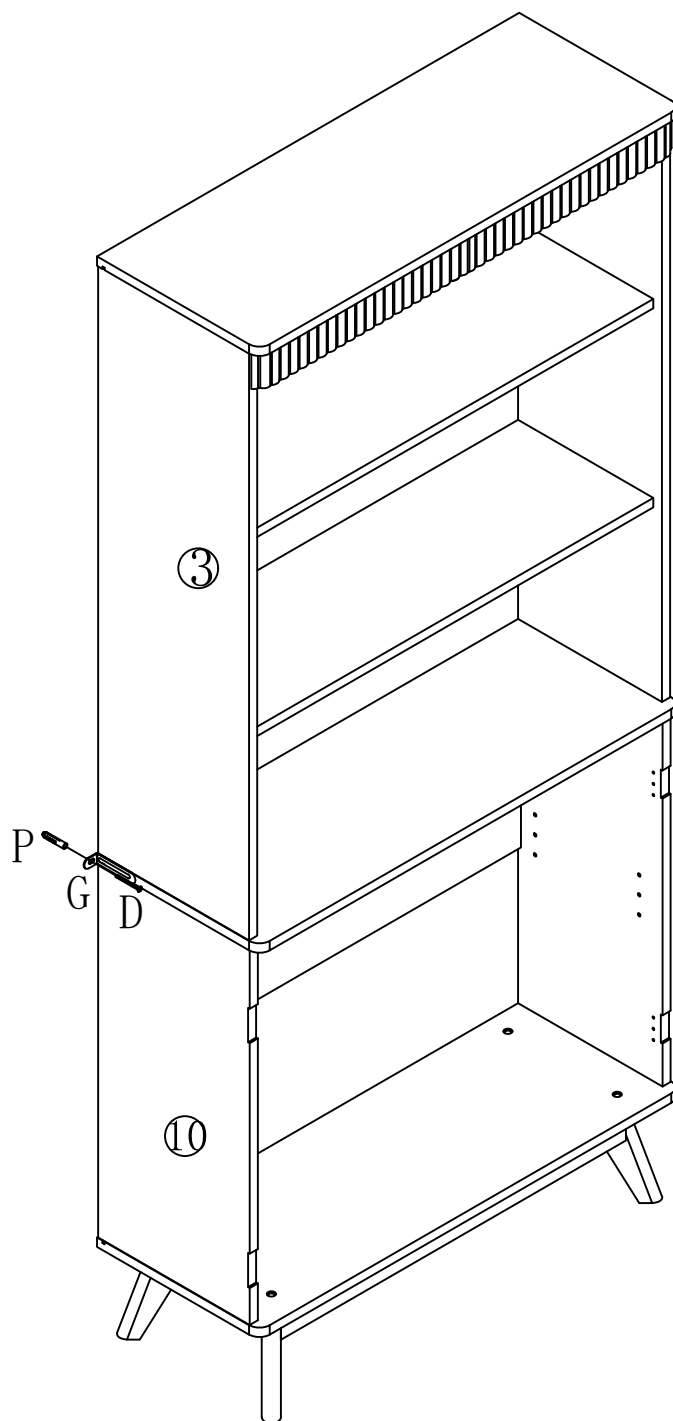
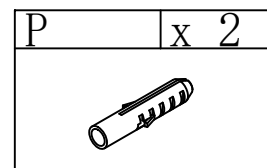
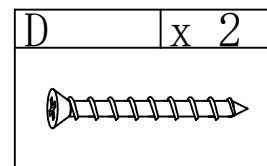
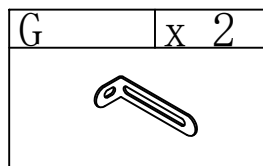
Please install this step with more than one person, install carefully!




Step 22

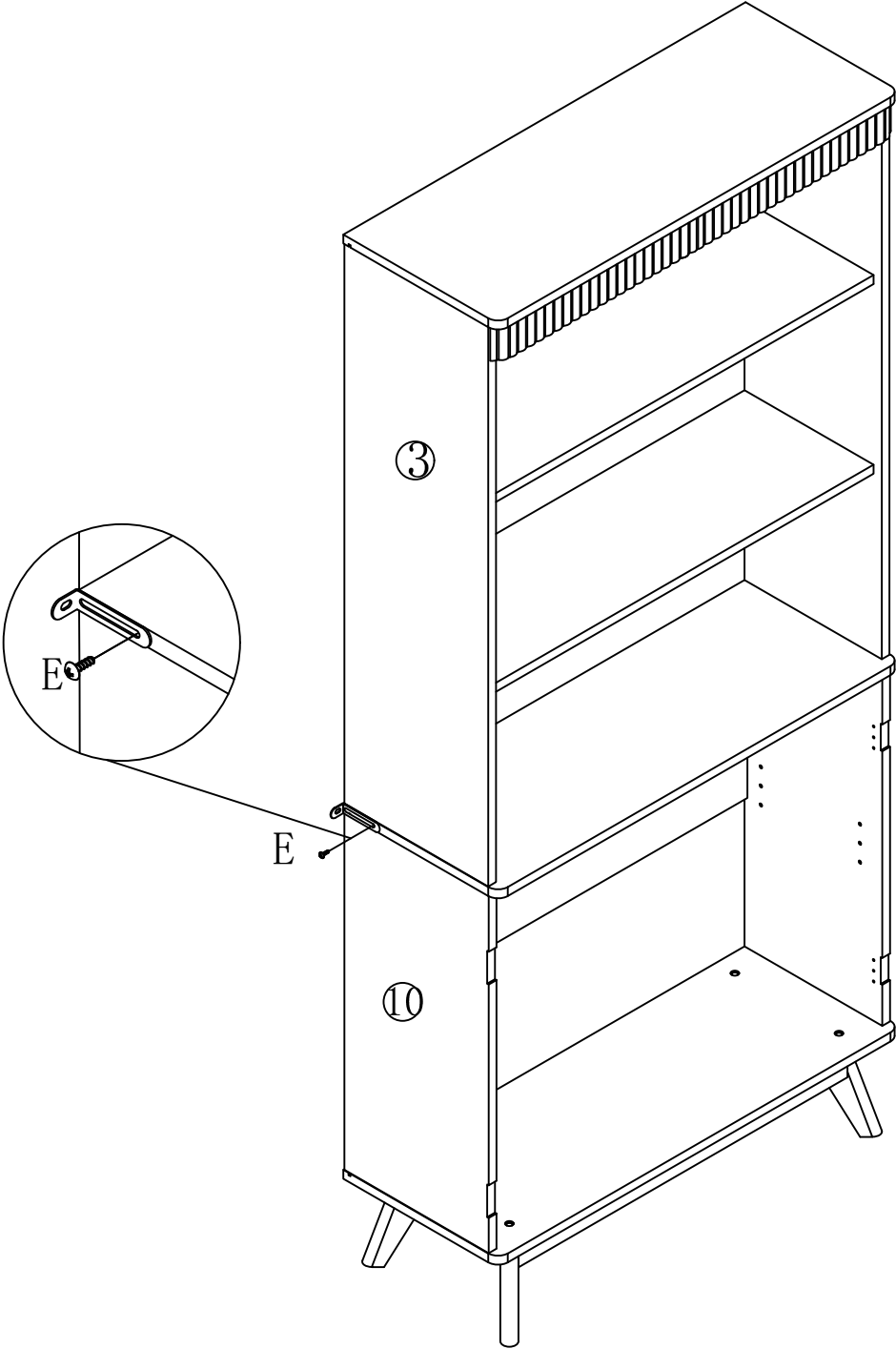


Step 23




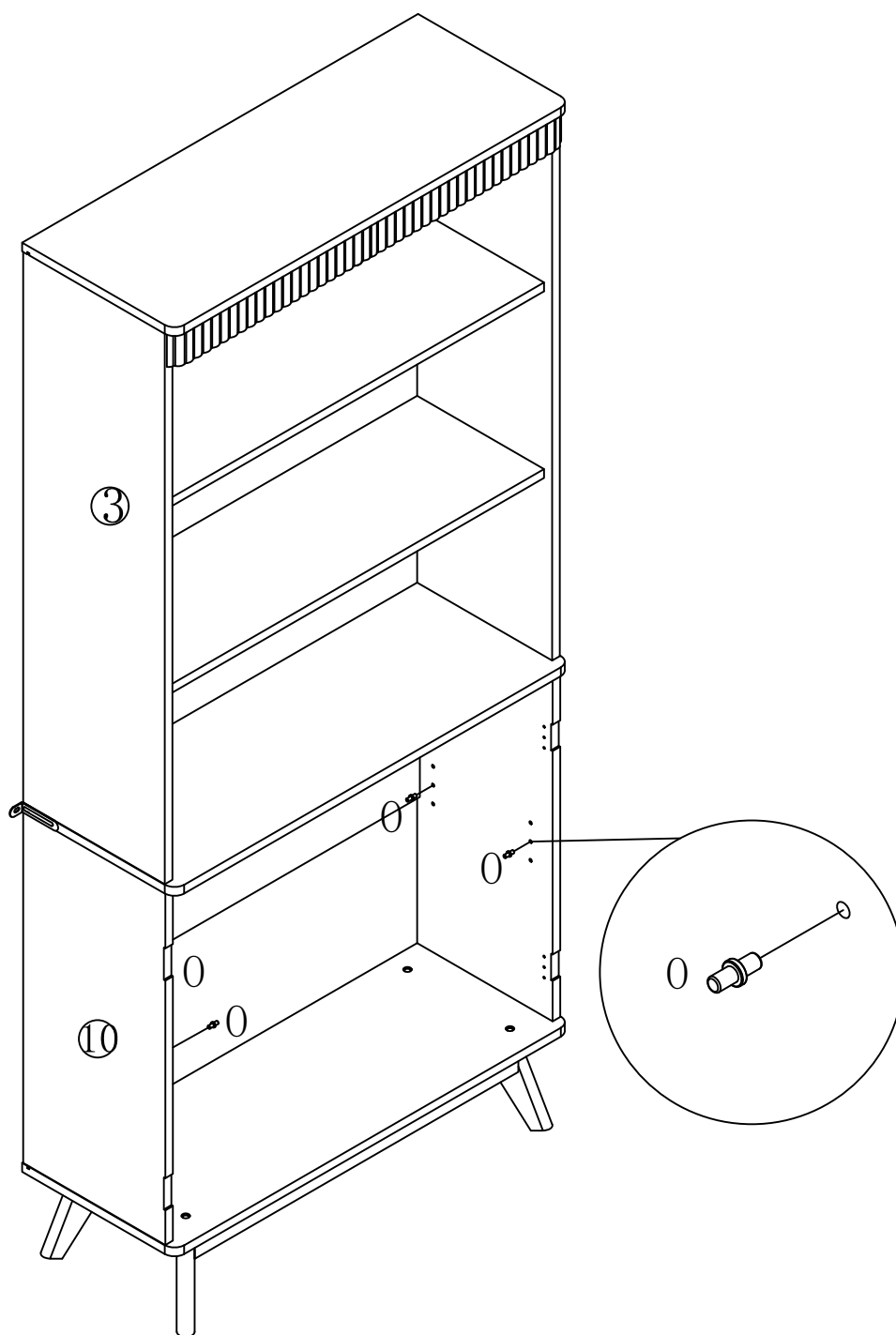
Step 24

| | |
|---|-----|
| E | x 2 |
|  | |

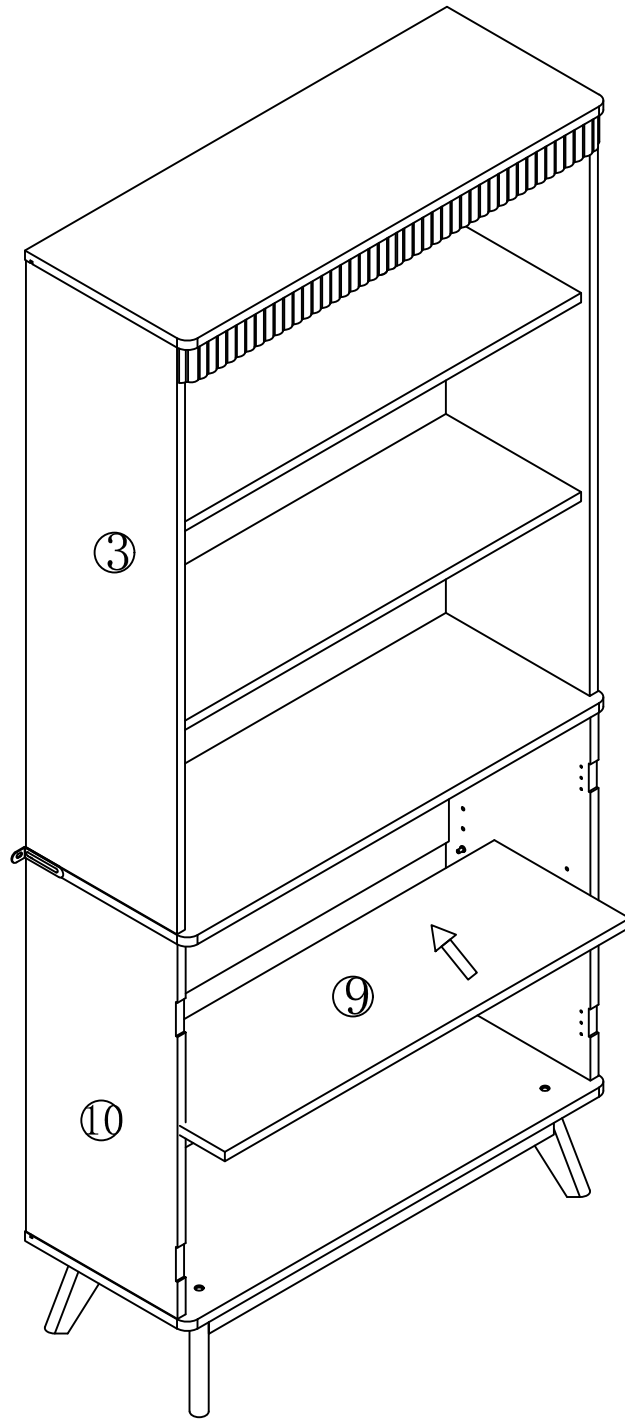


Step 25

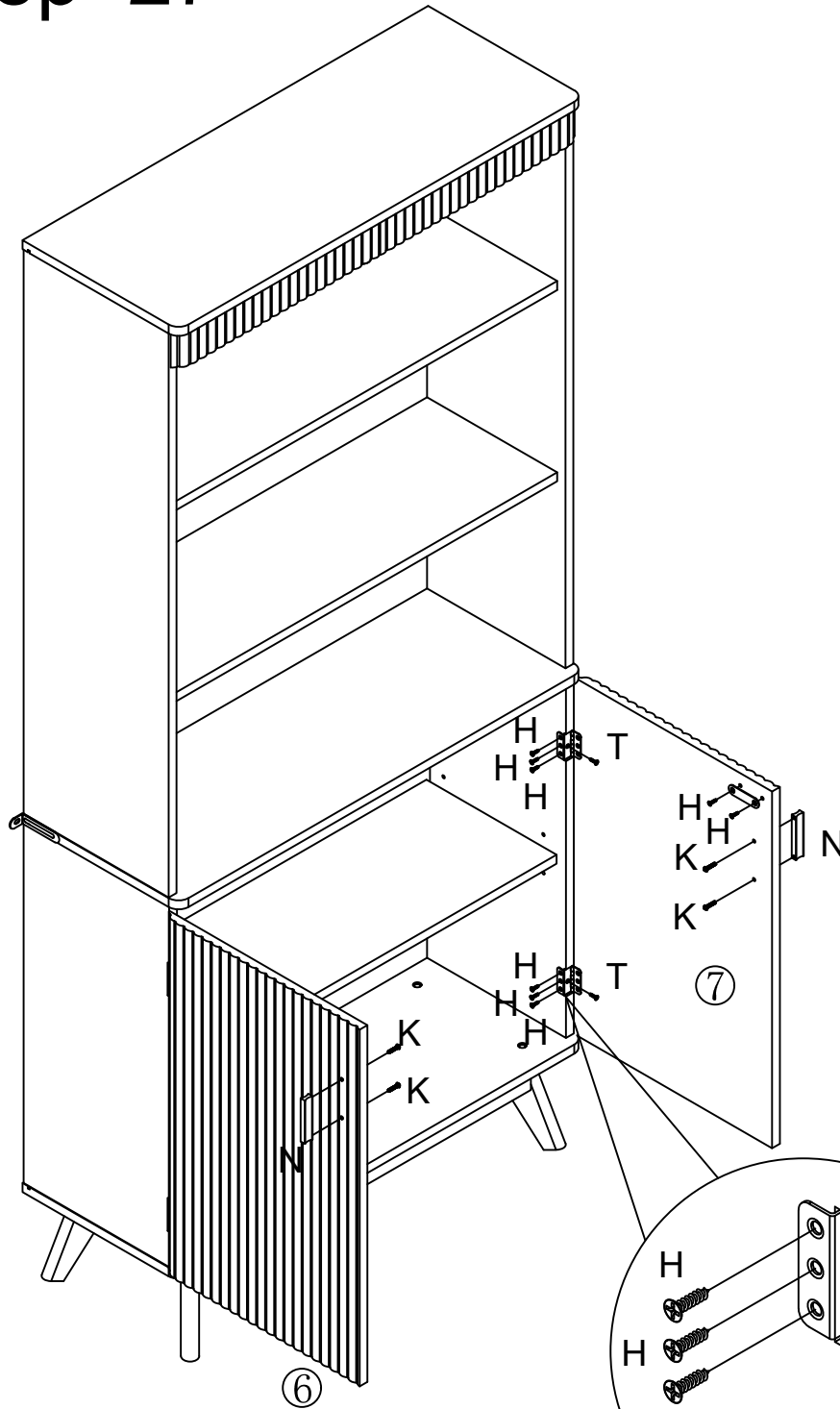
| | |
|---|-----|
| 0 | x 4 |
|  | |

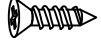



Step 26




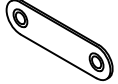
Step 27





| | |
|---|-----|
| H | ×16 |
|  | |

| | |
|---|----|
| N | ×2 |
|  | |

| | |
|---|----|
| K | ×4 |
|  | |

| | |
|---|----|
| S | ×2 |
|  | |

| | |
|--|----|
| T | ×4 |
|  | |



Two people work together to move the table.
Make sure you lift it off the ground.
Don't push and pull.