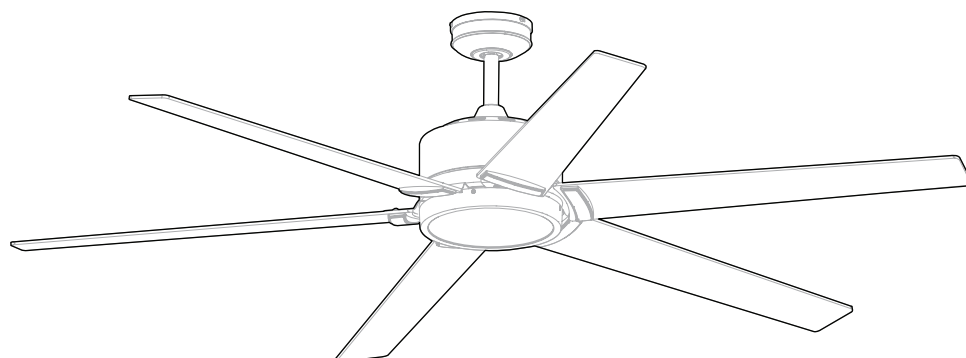


# Honeywell

## Talbert Ceiling Fan

### User Manual

Read and save these instructions before use

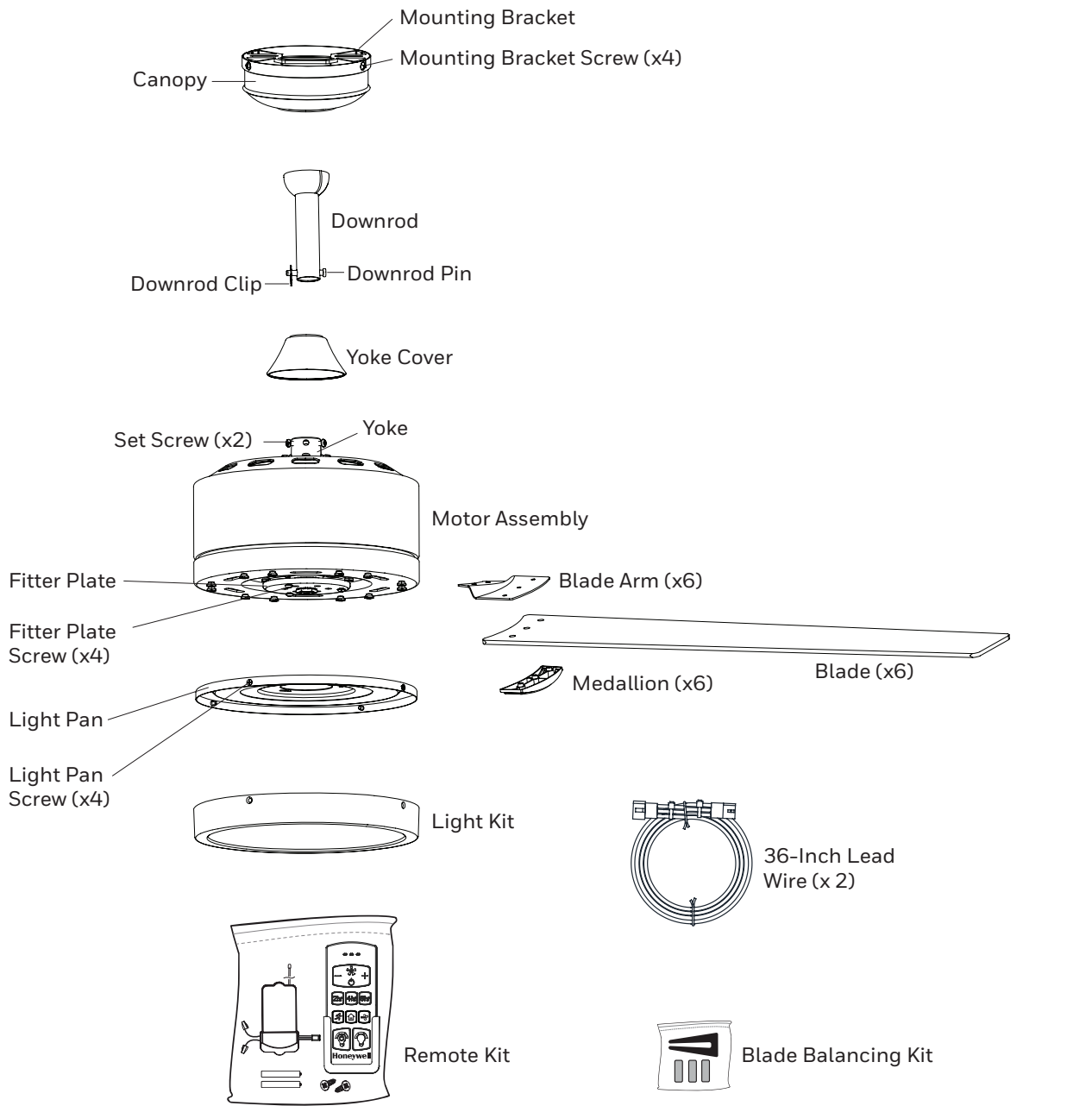


---

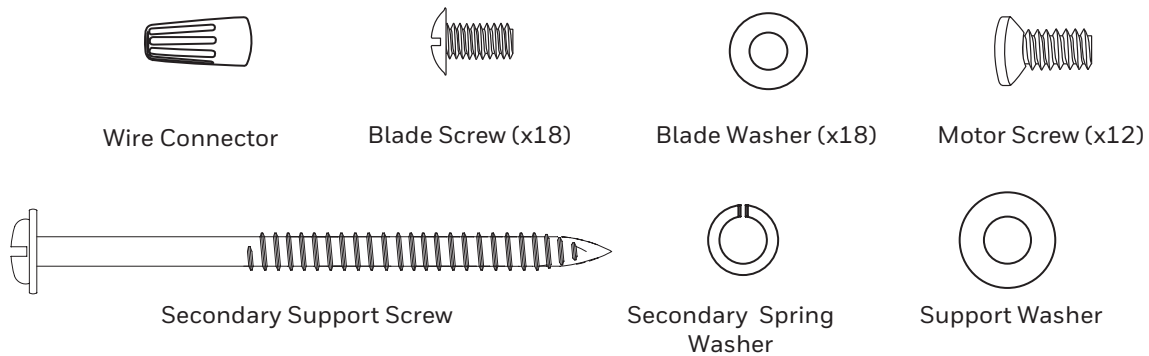
Model #53041

---

## PACKAGE CONTENTS



## HARDWARE CONTENTS



**Note:** Some extra hardware may be included. The quantity listed above is the number required for installation.

## THANK YOU

Honeywell Ceiling Fans feature a collection of fans in various sizes and specifications to ensure your choice of indoor or outdoor fan delivers optimum performance for your room's size. You can trust the quality of Honeywell Ceiling Fans to deliver maximum airflow and stylish lighting options. Honeywell Ceiling Fans use high-quality materials that are long lasting and durable to deliver a great look and last for years to come.

## SAFETY INFORMATION

Please read and understand this entire manual before attempting to assemble, operate or install the product.

- Before you begin installing the fan, disconnect the power by removing fuses or turning off the circuit breakers.
- Make sure all electrical connections comply with local codes, ordinances, the National Electrical Code and ANSI/NFPA 70-199. Hire an electrician or consult a do-it-yourself handbook if you are unfamiliar with installing electrical wiring.
- Make sure the installation site you choose allows a minimum of 7 feet from the blades to the floor and at least 30 inches from the tip of the blades to any obstruction.
- **RATED FOR INDOOR LOCATIONS ONLY.** The fan is not suitable for damp or outdoor locations.
- The weight of the fan is 25.4 pounds.

**⚠ DANGER:** When using an existing outlet box, make sure it is securely attached to the building structure and can support the full weight of the fan. Failure to do this can result in serious injury or death. The stability of the outlet box is essential in minimizing wobble and noise in the fan after installation is complete.

**⚠ WARNING:** To avoid personal injury, the use of gloves may be necessary while handling fan parts with sharp edges.

**⚠ WARNING:** Using a full-range dimmer switch to control fan speed will cause a humming sound from the fan. To reduce the risk of fire or electric shock, do NOT use a full-range dimmer switch to control fan speed.

**⚠ WARNING:** To reduce the risk of fire, electric shock or personal injury, mount the fan to an outlet box marked "ACCEPTABLE FOR FAN SUPPORT" and use the mounting screws provided with the outlet box. Most outlet boxes commonly used for the support of lighting fixtures are not acceptable for fan support and may need to be replaced. Consult a qualified electrician if in doubt. Secure the outlet box directly to the building structure. The outlet box and its support must be able to support the moving weight of the fan (at least 35 lbs.).

**⚠ WARNING:** To reduce the risk of fire, electric shock or personal injury, wire connectors provided with this fan are designed to accept only one 12-gauge house wire and two lead wires from the fan. If your house wire is larger than 12-gauge and/or there is more than one house wire to connect to the two fan lead wires, consult an electrician for the proper size wire connectors to use.

**⚠ WARNING:** To reduce the risk of fire, electric shock or personal injury, do not bend the blade arms when installing them, balancing the blades or cleaning the fan. Do not insert objects between the rotating fan blades.

**⚠ WARNING:** To reduce the risk of personal injury, use only parts provided with this fan. The use of parts other than those provided with this fan will void the warranty.

**CAUTION:** Be sure the outlet box is properly grounded or a ground (green or bare) wire is present.

**CAUTION:** Carefully check all screws, bolts, and nuts on the fan assembly ensure they are secured.

## SAFETY INFORMATION

**CAUTION:** This device complies with Industry Canada license-exempt RSS standard(s). Operation is subject to the following two conditions: (1) this device may not cause interference, and (2) this device must accept any interference, including interference that may cause undesired operation of the device (if applicable).

CAN ICES-003 (B) / NMB-003 (B)

CAN ICES-005 (B) / NMB-005 (B)

This device complies with Part 15 of the FCC Rules. Operation is subject to the following two conditions: (1) this device may not cause harmful interference, and (2) this device must accept any interference received, including interference that may cause undesired operation.

This equipment has been tested and found to comply with the limits for a Class B digital device, pursuant to Part 15 of the FCC Rules. These limits are designed to provide reasonable protection against harmful interference in a residential installation. This equipment generates, uses and can radiate radio frequency energy and, if not installed and used in accordance with the instructions, may cause harmful interference to radio communications. However, there is no guarantee that interference will not occur in a particular installation. If this equipment does cause harmful interference to radio or television reception, which can be determined by turning the equipment off and on, the user is encouraged to try to correct the interference by one or more of the following measures:

- Reorient or relocate the receiving antenna.
- Increase the separation between the equipment and receiver
- Connect the equipment into an outlet on a circuit different from that to which the receiver is connected.
- Consult the dealer or an experienced radio/TV technician for help.

Please note changes or modifications not expressly approved by the party responsible for compliance could void the user's authority to operate the equipment.

HKC-US  
3350 Players Club Parkway #225  
Memphis, TN 38125  
1-877-361-3883

## CARE AND MAINTENANCE

At least twice each year, lower the canopy to check the downrod assembly and tighten all screws on the fan. Clean the motor housing and blades with a soft brush or lint-free cloth to avoid scratching the finish.

Total fixture wattage is 19.5 watts; do not attempt to replace.

**Battery Replacement:** Use 1.5 V, AAA alkaline batteries. **WARNING:** Keep batteries out of reach of children. May be fatal if swallowed. In the event that a battery is swallowed, immediately consult a doctor. Non-rechargeable batteries are not to be recharged. Do not mix different types of batteries such as alkaline, carbon-zinc, or rechargeable batteries. Do not mix old and new batteries. Batteries are to be inserted with the correct polarity. Exhausted batteries are to be removed from the product. Do not dispose of batteries in fire, as they may explode or leak.

**Important:** Shut off the main power supply before you begin any maintenance task. Do NOT use water or a damp cloth to clean the fan.

## PREPARATION

Before beginning the assembly of this product, ensure all parts are present. Compare all parts with the package contents list and hardware contents list. If any part is missing or damaged, do not attempt to assemble the product.

Estimated assembly time: 2 hours

Tools required (not included): Phillips and Flat-head Screwdrivers, Safety Glasses, Step Ladder, Wire Cutter, and Wire Stripper.

1. Turn off power to the fan at the breaker box and the wall switch (Figure 1.1). **DANGER:** Failure to disconnect the power supply prior to installation may result in serious injury or death.
2. Choose one of the following mounting options (Figure 1.2):
  - Standard Mount** - best suited for ceilings 8 feet or higher. For very high ceilings, use a longer downrod (not included).
  - Angle Mount** - best suited for angled or vaulted ceilings. A longer downrod is sometimes necessary to ensure proper blade clearance. Ensure the ceiling angle is not steeper than 10 degrees.
  - Flushmount Installation** - not available for this model.
  - Closemount Installation** - not available for this model.
3. Ensure the blades will be at least 30 inches from any obstructions. Also check the downrod length to ensure the blades will be at least 7 feet above the floor (Figure 1.3).

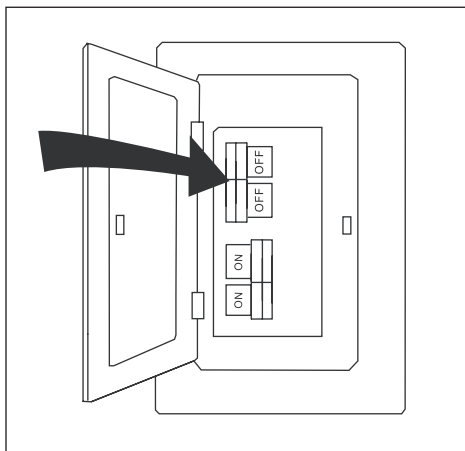


Figure 1.1

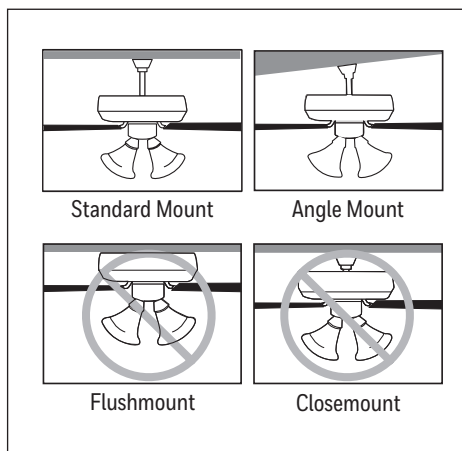


Figure 1.2

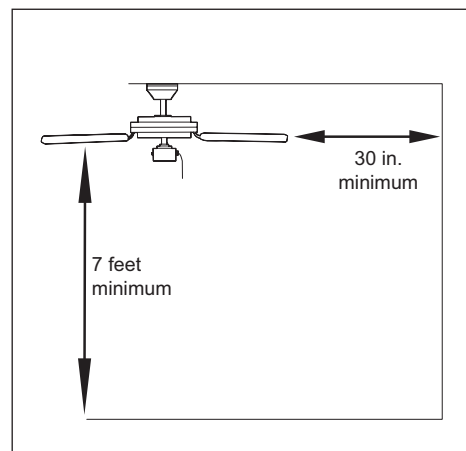


Figure 1.3

## INITIAL INSTALLATION

1. Loosen all four mounting bracket screws and completely remove the two screws from the round holes in the canopy. Then remove mounting bracket from the canopy and save them for later. Remove the canopy from the mounting bracket (Figure 2.1).
2. Install the mounting bracket to the outlet box (not included) using the screws and washers provided with the outlet box. **WARNING:** To reduce the risk of fire, electric shock, or personal injury, mount to the outlet box marked "acceptable for fan support". (Figure 2.2).
3. Discard the orange packing material from the top of the motor assembly (Figure 2.3).

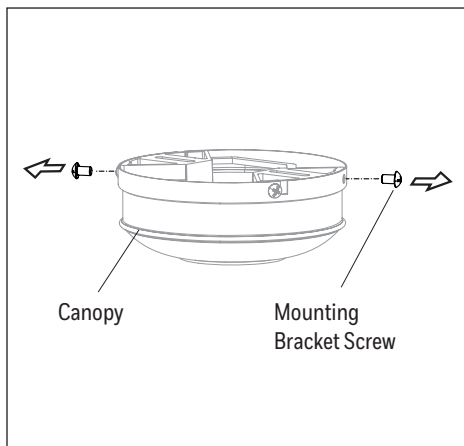


Figure 2.1

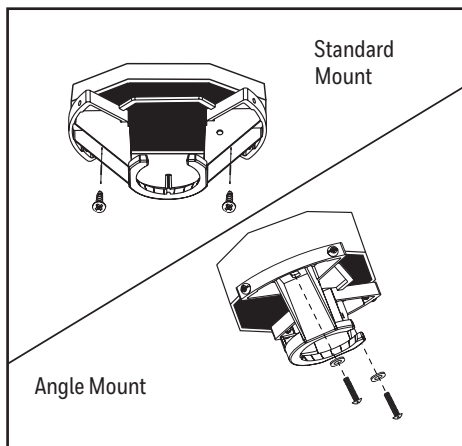


Figure 2.2

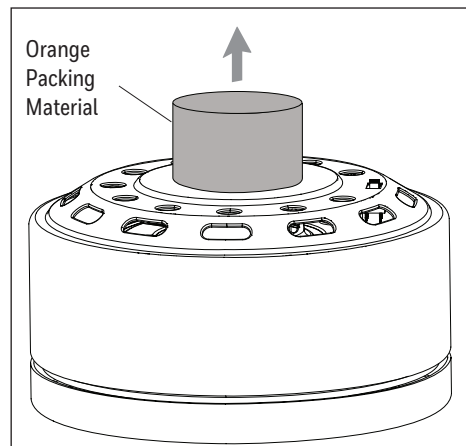


Figure 2.3

## STANDARD OR ANGLE MOUNT INSTRUCTIONS

1. Remove the downrod clip and downrod pin from the downrod. Then partially loosen the two set screws in the yoke at the top of the motor assembly (Figure 3.1).
2. Insert the downrod through the canopy and yoke cover. Feed the wires and braided cable from the fan through the downrod and then through the downrod ball. Depending on the length of downrod you use, you may need to use the 36-inch lead wires to accommodate a 36 or 48-inch downrod (sold separately). When necessary, connect the 3-pin and 2-pin connector extending from the center of the downrod to one end of the 36-inch lead wires. **Note:** The downrod included with this fan will not utilize the 36-inch lead wires (Figure 3.2).
3. Slide the downrod into the yoke of the motor assembly, align the holes, then re-install the downrod pin and downrod clip. Secure with the two set screws and slide the yoke cover down until it rests on top of the motor assembly (Figure 3.3).
4. Install the ball end of the downrod into the opening of the mounting bracket. Rotate the downrod until the tab in the mounting bracket is seated in the slot in the downrod ball (Figure 3.4). **WARNING:** Failure to align the slot in the ball with the tab on the mounting bracket may cause the fan to fall, which could result in injury or death.
5. Insert the receiver in the mounting bracket with antenna end first and flat side facing up. **Note:** The receiver rests directly on the downrod (Figure 3.5).

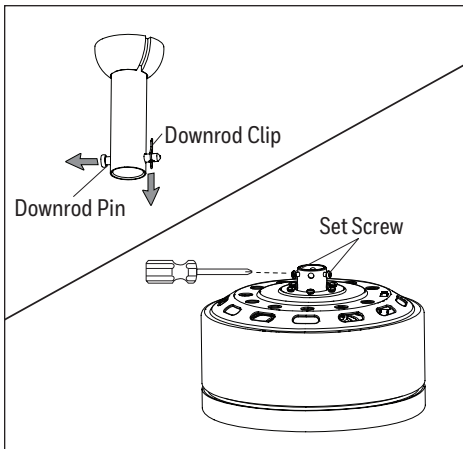


Figure 3.1

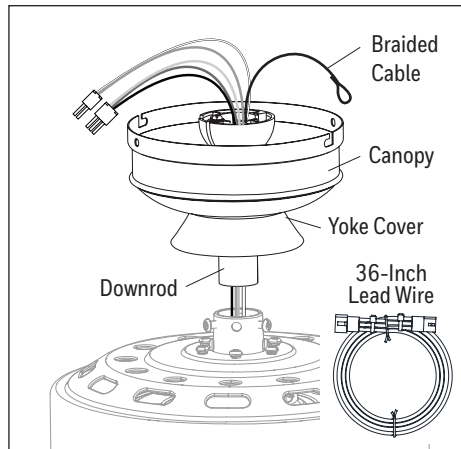


Figure 3.2

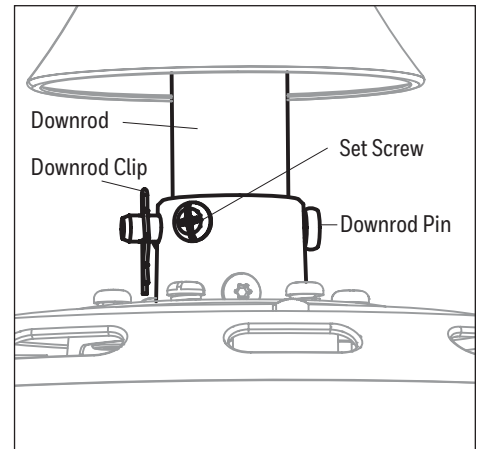


Figure 3.3

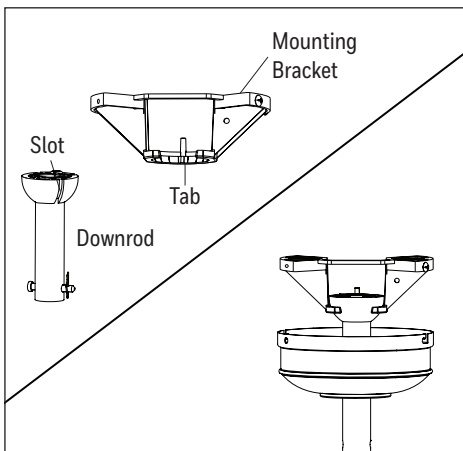


Figure 3.4

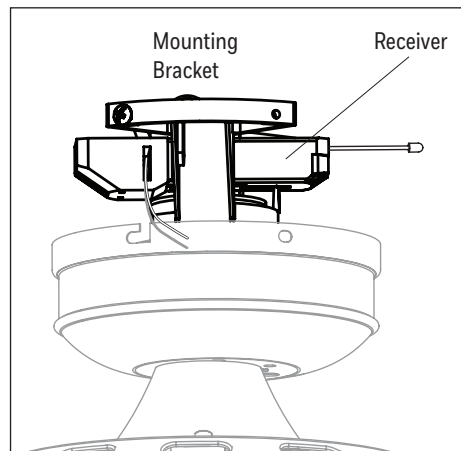


Figure 3.5

## SECONDARY HANGING SYSTEM INSTRUCTIONS

**For installation in the United States:** Building codes in the U.S.A. do not require installation of a Secondary Hanging System. If desired, the braided cable can be cut and removed using wire cutters (sold separately). Skip to FINAL INSTALLATION. **For installation in Canada:** In compliance with building codes in Canada, installation of the Secondary Hanging System is required.

- 1. WARNING:** Secondary support is required for this product. Failure to follow the steps below could result in property damage and/or personal injury. Feed the loop of the braided cable, preassembled to the motor assembly, up through the outlet box mounted in the ceiling (Figure 4.1).
2. Install secondary support screw, spring washer and support washer partly into the side of the brace installed in the ceiling. Then loop the braided cable up and over the ceiling brace and place the open loop of the braided cable around the secondary support screw. **Note:** The ceiling support brace may not be accessible from below. If not, it must be accessed from above. **Important:** The braided cable must make a complete circle around the support brace to secure the fan (Figure 4.2).
3. Tighten the secondary support screw, securing the braided cable (Figure 4.3).

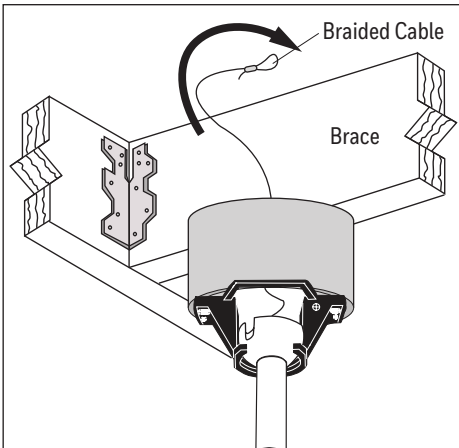


Figure 4.1

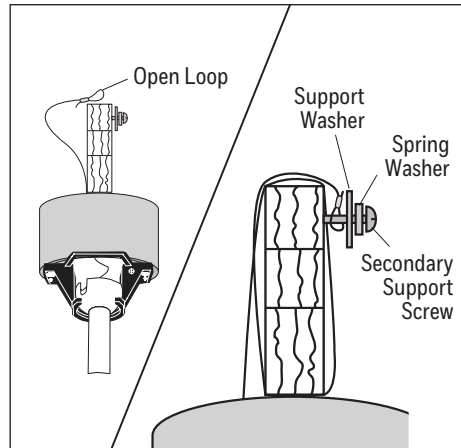


Figure 4.2

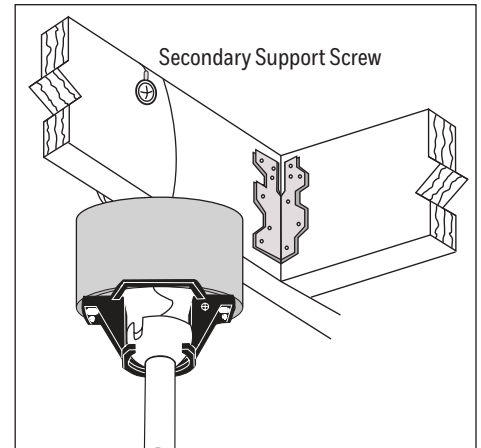


Figure 4.3

## FINAL INSTALLATION

1. Make the following wire connections according to the diagram and these steps (Figure 5.1):
  - Use wire connector from hardware bag to connect the green wires from the downrod, mounting bracket, and receiver to the bare/green (ground) supply wire.
  - Lift the lever and then push the White (neutral) supply wire into the empty hole of the wire connector preassembled to the white wire from receiver and then lower the lever to secure wire.
  - Lift the lever and then push the Black (hot) supply wire into the empty hole of the wire connector preassembled to the red wire from the receiver and then lower the lever to secure wire.
  - Connect the pin connectors from the receiver to the pin connects from the fan -- 3-pin to 3-pin and 2-pin to 2-pin.**Important:** If household supply wires are different colors than referred to above, a professional electrician should determine proper wiring.
2. Raise the canopy, ensure the two mounting bracket screws are aligned with the J-shaped slots in the canopy. Then turn the canopy in a clockwise direction until the mounting bracket screws are completely engaged in the J-shaped slots (Figure 5.2).

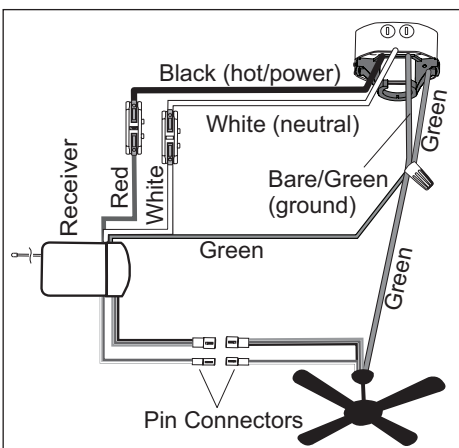


Figure 5.1

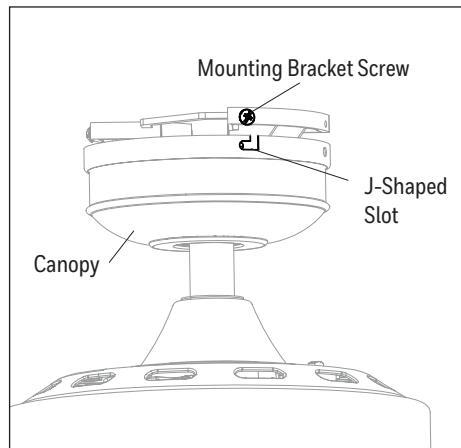


Figure 5.2

## FINAL INSTALLATION

3. Install the two previously removed mounting bracket screws in the round holes. Securely tighten all mounting bracket screws (Figure 5.3).
4. Partially insert three blade screws along with blade washers through the blade, blade arm, and into the medallion. Tighten each blade screw starting with the one in the middle. Repeat this step for the remaining blades. Note: Ensure the concave edge of the medallion is parallel to the concave edge of the blade (Figure 5.4).
5. Install the blade arm to the underside of the motor assembly with the motor screws. Tighten each blade arm completely before moving to the next (Figure 5.5).
6. Remove one of the four fitter plate screws from the fitter plate and loosen the other three but do not remove. Feed the single-pin connect through the center hole in the light pan. Align the keyhole slots in the light pan with the loosened screws in the fitter plate. Turn light pan clockwise and replace the previously removed fitter plate screw. Tighten all screws (Figure 5.6).
7. Remove the four light pan screws preassembled to the light pan. Then, connect the single-pin connector from the fan to the single-pin connector from the light kit -- blue to black and white to white. Secure the light kit with the previously removed light pan screws (Figure 5.7).
8. Remote control comes equipped with a wall bracket. If you wish to install the wall bracket, remove the small plate to expose the screw holes. Insert wall brackets screws through holes and into wall, then cover with the previously removed small plate. The remote can be stored in the wall bracket for easy access (Figure 5.8).

Turn on power to fan at breaker box and the wall switch. Assembly is complete.

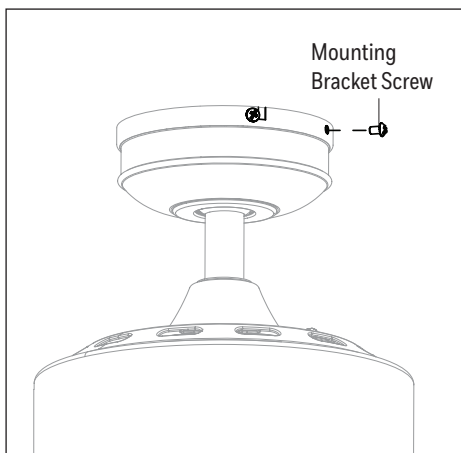


Figure 5.3

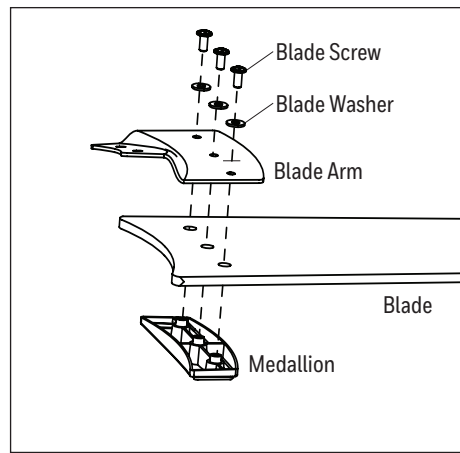


Figure 5.4

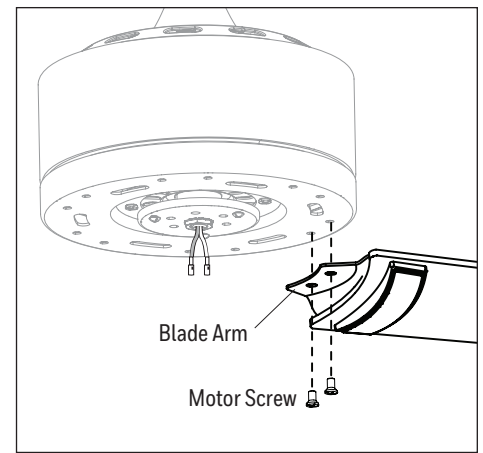


Figure 5.5

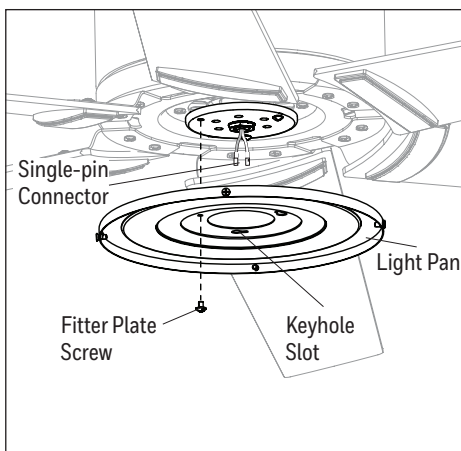


Figure 5.6

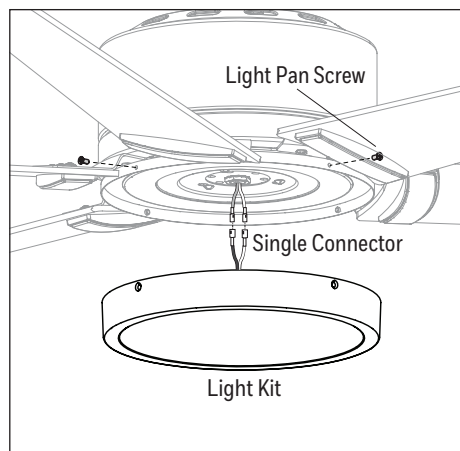


Figure 5.7

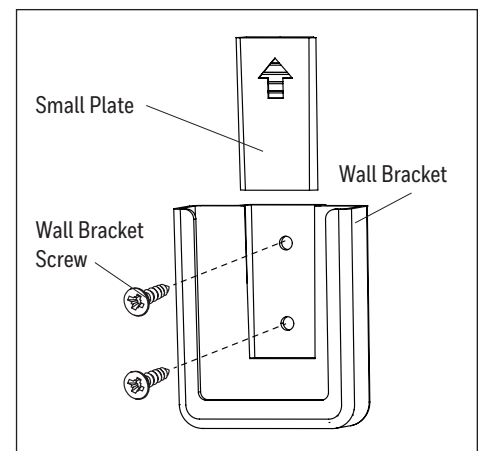


Figure 5.8

## OPERATING INSTRUCTIONS

1. Use a flat-head screwdriver, if necessary, to remove the battery cover from the back of the remote found in remote pack. Insert the battery into the remote; ensure polarity of battery matches the polarity indicated in the battery compartment -- positive (+) to positive (+) and negative (-) to negative (-). Replace the back cover and press the fan on/off button on the remote to ensure the LED indicator illuminates and the remote turns on the fan (Figure 6.1).

2. To operate the fan using the remote, press and release the following buttons (Figure 6.2):

- **LED Indicator** - Indicates the six speeds of the fan. It should illuminate when any remote button is pressed. If not, replace the 1.5 V, AAA batteries.

 **Fan Power button has three options:**

 Turns the fan off or turns fan on at previously selected speed.


 Increase fan speed


 Lower fan speed


**2hr Sleep Timer** - Turn off fan after 2 hours (2hr). Press Fan Power button to deactivate.


**4hr Sleep Timer** - Turn off fan after 4 hours (4hr). Press Fan Power button to deactivate.

**8hr Sleep Timer** - Turn off fan after 8 hours (8hr). Press Fan Power button to deactivate.

 **Reverse Switch** - In warmer weather, push the reverse switch left, which will result in downward airflow creating a wind chill effect. In cooler weather, push the reverse switch right and the fan to low, which will result in upward airflow that can help move stagnant, hot air off the ceiling area. **Important:** Wait for the fan to stop before moving the reverse switch. The reverse switch must be set either completely left or right in order for the fan to function correctly. If the reverse switch is set in the middle position, the fan will not operate.

 **Light Delay** - Delays turning off light for one minute which allows safe exit from room. Light blinks to confirm function is active. Press Light Control button to deactivate and turn the light off.

 **Home Shield™** - Simulates occupancy while away from home. Fan remains off and the light randomly turns on for a minimum of five minutes and a maximum of 20 minutes. The light remains off for 60 minutes between events. Press and hold button to activate. Light will blink to confirm Home Shield is active. Press any button to cancel.

 **Variable Breeze** - Simulates a breeze in nature. Press and hold button to activate. Press any fan speed button to cancel.

 **Light Control** - Tap button to turn the light off and on. Press and hold button to dim or brighten the lights.

 **Light Color** - Press and hold button to cycle through the color temperatures from 2200K (warm white) to 6500K (daylight).

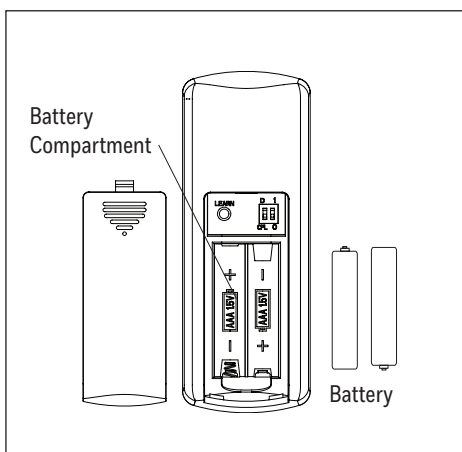


Figure 6.1

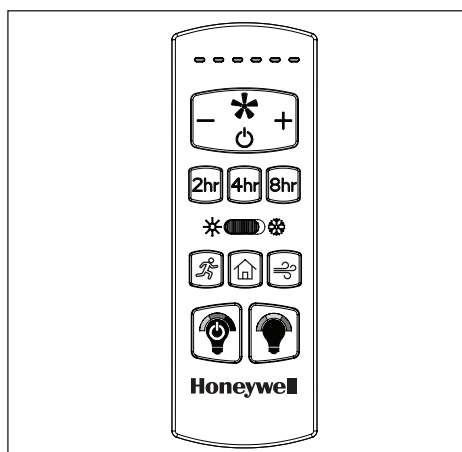


Figure 6.2

## TROUBLESHOOTING

If you experience any faults, please check the Troubleshooting section below. If a problem cannot be remedied or you are experiencing difficulty in installation, please contact Customer Service: 1-877-361-3883, Monday-Friday, 8am - 5pm, Central Time.

**WARNING:** Shut off the power supply before you begin any maintenance task.

PROBLEM	CORRECTIVE ACTION
The fan does not move.	<ol style="list-style-type: none"> <li>1. Firmly push the reverse switch completely left or right.</li> <li>2. Make sure the wall switch is turned on.</li> <li>3. Turn the power on or check the fuse (breaker).</li> <li>4. Turn the power off and check all connections at the ceiling outlet box.</li> </ol>
The fan is noisy.	<ol style="list-style-type: none"> <li>1. Check and tighten all screws that hold the fan blades to the blade arms and the motor.</li> <li>2. Replace the cracked blade.</li> <li>3. Do not use a full range dimmer switch to control the fan speed.</li> <li>4. Ensure the outlet box is secured to the building structure.</li> <li>5. Ensure the mounting bracket is secured to the outlet box and that the screws are tight.</li> </ol>
The fan wobbles excessively.	<ol style="list-style-type: none"> <li>1. Check and tighten all screws that hold the fan blades to the blade arms and the blade arms to the motor.</li> <li>2. Switch one blade with a blade from the opposite side, or balance the fan using the blade balancing kit.</li> <li>3. Turn off the power. Loosen the canopy and verify that the mounting bracket is secure to the electrical outlet box. The bracket must be flush without movement against the outlet box. Verify the outlet box is secure.</li> <li>4. Use a longer downrod (sold separately) or move the fan to another location.</li> <li>5. Lift up the yoke cover and tighten the set screws on the yoke until secure.</li> </ol>
The fan operates correctly but the lights are not working.	<ol style="list-style-type: none"> <li>1. Ensure the Single-pin connectors are properly secured.</li> <li>2. Turn the power off and check all connections at the ceiling outlet box.</li> </ol>
Remote does not work.	<ol style="list-style-type: none"> <li>1. Power surge may have cleared the memory and remote needs to be resynced to the receiver. <b>Syncing instructions:</b> Turn off the power at the breaker box for at least 10 seconds and then turn the power back on. Within 30 seconds, press and hold the "LEARN" button (Figure 6.1) on the back of the remote for 3 seconds. The fan will turn on at high speed and light will blink twice and stay on, signaling a successful synchronization.</li> <li>2. Insert new AAA batteries in battery compartment of the wall control.</li> <li>3. If there are several remote fans in proximity, turn the power off to those fans and re-sync the fan.</li> </ol>

## LIMITED LIFETIME WARRANTY

Set forth below, the manufacturer, Hong Kong China Electric Appliance Company (HKC) warrants the fan motor for this ceiling fan to be free from defects in workmanship and material for the life of the product. Also, subject to the limitations below, HKC warrants all ceiling fan parts ("ceiling fan parts" excludes the motor and parts made in whole or in part with glass) to be free from defects in workmanship and material for a period of one year after the date of purchase by the original purchaser at retail.

All claims must be made by the original purchaser, whether such purchaser purchased the product through a store or contractor. Ceiling fan part defects must be reported within the first year from the date of purchase. Parts made in whole or in part with glass and the finishes of metal and other surfaces are not warranted.

Purchasers are responsible for all costs of removing and reinstalling the product. Any damage to any part caused by ordinary wear and tear, accident, misuse, or improper installation, is not covered by this warranty. HKC assumes no responsibility whatsoever for fan installation. Any service performed by a non-licensed electrician will render the warranty invalid.

HKC's sole responsibility shall be to repair or replace the motor, parts, or product within the terms stated above. HKC shall not be liable for any loss or damage of any kind, including any incidental or consequential damages resulting directly or indirectly, from any breach of warranty, express or implied, or any other failure of this product. Some states do not allow the exclusion or limitation of incidental or consequential damages so this limitation may not apply to you.

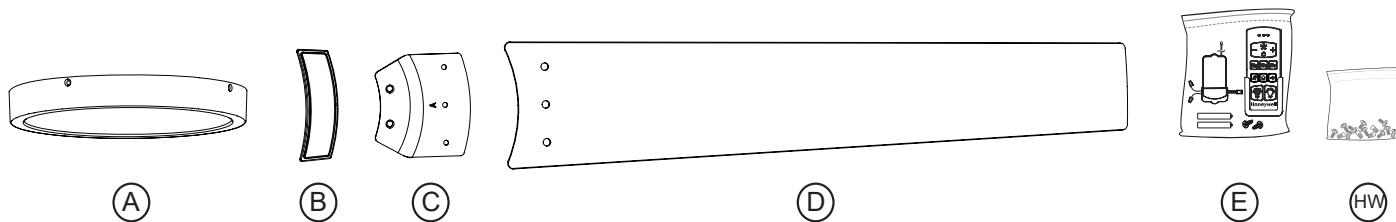
If the original purchaser ceases to own the fan, this warranty is voided.

Should the purchaser encounter a problem with your fan related to defects in workmanship or materials within the warranty period associated with the defective part, HKC agrees to replace the defective part without charge, or at its option, to replace the ceiling fan with a comparable or superior model.

HKC's warranties are limited to the written warranties set out in this HKC ceiling fan limited lifetime warranty. All other express and implied warranties, including, without limitation, the implied warranty of fitness for a particular purpose and the implied warranty of merchantability are disclaimed. Some states do not allow the disclaimer of implied warranties, so this disclaimer may not apply to you.

## REPLACEMENT PARTS LIST

For replacement parts, call our customer service department 1-877-361-3883, Monday-Friday, 8am - 5pm, Central Time.



53041

A	Light Kit	4A000021930
B	Medallion (x6)	4A073540007
C	Blade Arm (x6)	4A074510002
D	Blade (x6)	4A086940001
E	Remote Pack	4A000030550
HW	Hardware Bag	4A000030480

The Honeywell Trademark is used under license from Honeywell International Inc.

Honeywell International Inc. makes no representations or warranties with respect to this product.

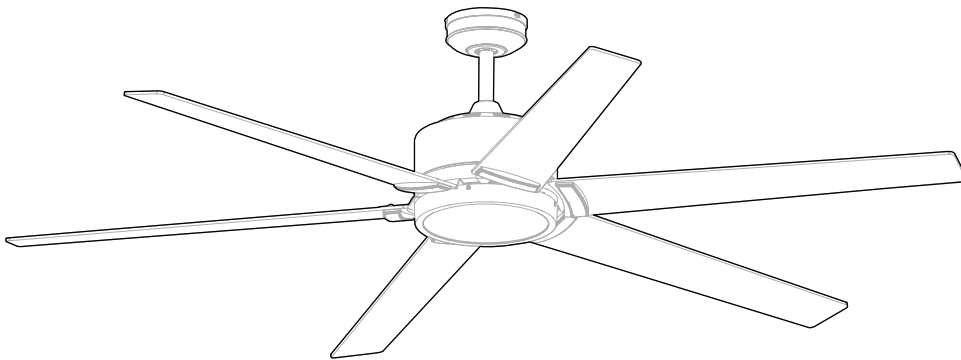
This product is manufactured for  
**Hong Kong China Electric Appliance, LTD.**  
 3350 Players Club Parkway, Suite 225  
 Memphis, TN 38125  
 1 (877) 361-3883  
 10239 • 032525

# Honeywell

## Ventilateur de plafond Talbert

### Guide de l'utilisateur

Lisez ces instructions et conservez-les avant d'utiliser l'article

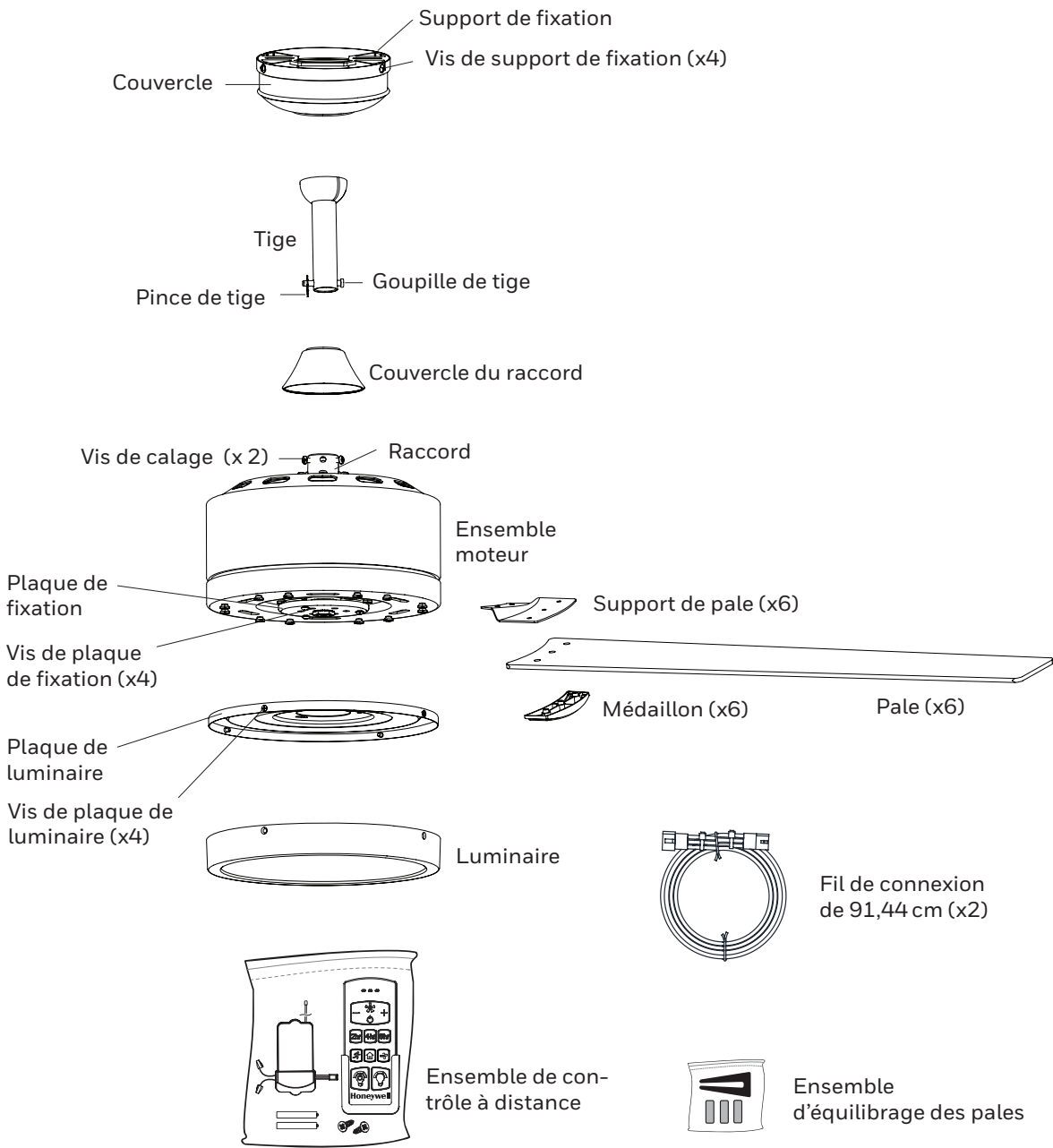


---

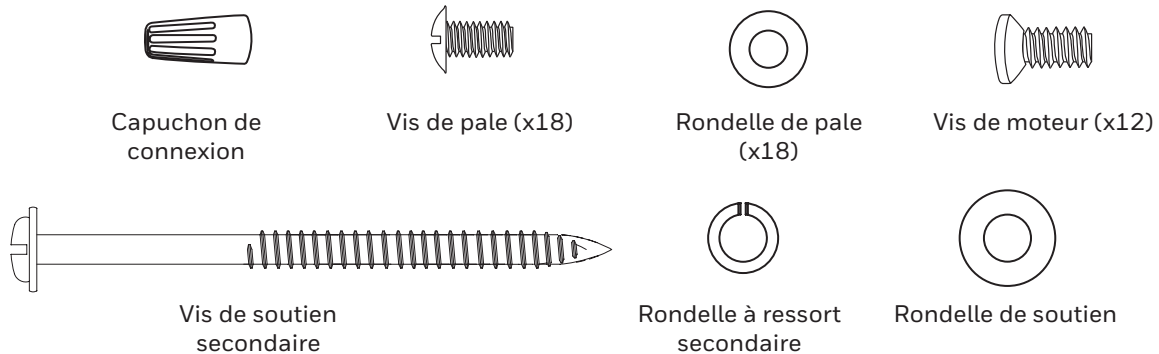
Modèle #53041

---

## CONTENU DE L'EMBALLAGE



## QUINCAILLERIE INCLUSE



**Remarque :** De la quincaillerie supplémentaire est incluse. Les quantités indiquées ci-dessus représentent le nombre de pièces de quincaillerie nécessaire pour l'installation.

## MERCI

Les ventilateurs de plafond Honeywell proposent une collection de ventilateurs de différentes tailles et spécifications afin que le ventilateur intérieur ou extérieur que vous aurez choisi offre des performances optimales en fonction des dimensions de votre pièce. Vous pouvez faire confiance à la qualité des ventilateurs de plafond Honeywell pour offrir un débit d'air maximal et des options d'éclairage élégantes. Les ventilateurs de plafond Honeywell sont faits avec des matériaux durables et résistants de haute qualité afin d'avoir une belle apparence et de durer des années.

## CONSIGNES DE SÉCURITÉ

Assurez-vous de lire et de comprendre l'intégralité du présent manuel avant de tenter d'assembler, d'installer ou d'utiliser l'article.

- Avant l'installation du ventilateur, coupez l'électricité en plaçant les disjoncteurs en position hors tension ou en retirant les fusibles.
- Assurez-vous que tous les branchements électriques sont conformes aux codes du bâtiment locaux, aux règlements locaux, au Code national de l'électricité et à la norme ANSI/NFPA 70-199. Faites appel aux services d'un électricien qualifié ou consultez un guide de câblage pour bricoleurs si l'installation des câblages électriques ne vous est pas familière.
- Assurez-vous qu'à l'emplacement choisi, les pales se trouvent à au moins 2,13 m du sol et que leur extrémité est à au moins 76,2 cm de tout obstacle.
- **CONÇU POUR UN USAGE À L'INTÉRIEUR.** Ce ventilateur ne convient pas aux endroits humides ou à un usage à l'extérieur.
- Le poids net de ce ventilateur est de 11,52 kg.

**⚠ DANGER :** Si vous utilisez une boîte de sortie existante, assurez-vous qu'elle est fixée solidement à la structure de l'immeuble et qu'elle sera en mesure de supporter tout le poids du ventilateur. La non-observance de cette consigne peut entraîner des blessures graves ou la mort. La stabilité de la boîte de sortie est essentielle pour minimiser l'oscillation et le bruit du ventilateur une fois l'installation terminée.

**⚠ AVERTISSEMENT :** Si vous utilisez un gradateur pleine bande pour commander la vitesse du ventilateur, celui-ci émettra un bourdonnement bruyant. Afin de réduire les risques d'incendie et de choc électrique, **N'UTILISEZ PAS** de gradateur pleine bande pour commander la vitesse du ventilateur.

**⚠ AVERTISSEMENT :** Afin de réduire les risques d'incendie, de choc électrique et de blessure, installez le ventilateur sur une boîte de sortie **CONÇUE POUR SOUTENIR UN VENTILATEUR** et utilisez les vis de montage fournies avec la boîte de sortie. La plupart des boîtes de sortie le plus fréquemment utilisées pour soutenir les luminaires ne conviennent pas pour un ventilateur et doivent être remplacées. En cas de doute, consultez un électricien qualifié. Fixez la boîte de sortie directement à la structure de l'immeuble. La boîte de sortie et sa fixation doivent pouvoir supporter le poids du ventilateur en mouvement (au moins 15,87 kg).

**⚠ AVERTISSEMENT :** Afin de réduire les risques d'incendie, de choc électrique ou de blessure, les capuchons de connexion fournis avec ce ventilateur sont conçus pour n'accepter qu'un fil de la maison de calibre 12 et deux fils de connexion du ventilateur. Si le fil de votre maison est d'un calibre supérieur à 12 ou si plus d'un fil de la maison doit être branché aux deux fils de connexion du ventilateur, consultez un électricien pour déterminer la taille des capuchons de connexion à utiliser.

**⚠ AVERTISSEMENT :** Afin de réduire les risques d'incendie, de choc électrique ou de blessure, ne pliez pas les supports des pales lors de leur installation et de leur équilibrage, ou du nettoyage du ventilateur. N'insérez aucun objet entre les pales en mouvement.

**⚠ AVERTISSEMENT :** Afin de réduire les risques de blessure, utilisez uniquement les pièces fournies avec ce ventilateur. L'utilisation de pièces **AUTRES** que celles fournies avec ce ventilateur annule la garantie.

**ATTENTION :** Assurez-vous que la boîte de sortie est correctement mise à la terre ou qu'un fil de mise à la terre (vert ou dénudé) est disponible.

**ATTENTION :** Vérifiez soigneusement les vis, les boulons et les écrous du moteur du ventilateur afin de vous assurer qu'ils sont bien fixés.

## CONSIGNES DE SÉCURITÉ

**ATTENTION :** Cet appareil est conforme aux normes d'exemption de licence RSS d'Industrie Canada. Son utilisation est soumise aux deux conditions suivantes : (1) cet appareil ne doit provoquer aucune interférence; et (2) cet appareil doit accepter toute interférence, y compris les interférences pouvant entraîner un fonctionnement indésirable de l'appareil (s'il y a lieu).

CAN ICES-003 (B) / NMB-003 (B)

CAN ICES-005 (B) / NMB-005 (B)

Cet appareil a été testé et déclaré conforme aux limites imposées aux dispositifs numériques de classe B, conformément à l'alinéa 15 du règlement de la FCC. Le fonctionnement est soumis aux conditions suivantes : (1) cet appareil ne peut causer d'interférences nuisibles et (2) il doit accepter toute interférence reçue, notamment celles pouvant entraîner un dysfonctionnement.

Cet appareil a été testé et déclaré conforme aux limites imposées aux appareils numériques de classe B, conformément à l'alinéa 15 du règlement de la FCC.

Ces limites sont destinées à assurer une protection raisonnable contre les interférences nuisibles dans un environnement résidentiel.

Cet appareil génère, utilise et peut émettre de l'énergie radiofréquence et, s'il n'est pas installé et utilisé conformément aux instructions, risque de provoquer des interférences nuisibles aux communications radio.

Cependant, tout risque d'interférence ne peut être totalement exclu.

S'il constate des interférences lors de la réception d'émissions de radio ou de télévision (il suffit pour le vérifier d'allumer et d'éteindre successivement l'appareil),

l'utilisateur devra prendre les mesures nécessaires suivantes pour éliminer ces interférences :

- réorienter ou déplacer l'antenne réceptrice;
- accroître la distance entre l'appareil et le récepteur;
- brancher l'article sur une prise de courant appartenant à un autre circuit que celui du récepteur;
- chercher de l'aide auprès du détaillant ou d'un technicien en radio ou en télévision expérimenté.

HKC-US

3350 Players Club Parkway #225

Memphis, TN 38125

1-877-361-3883

## ENTRETIEN

Au moins deux fois par année, abaissez le couvercle pour vérifier l'assemblage de la tige et serrez toutes les vis du ventilateur. Nettoyez l'ensemble moteur à l'aide d'une brosse douce ou d'un linge non pelucheux seulement afin d'éviter d'égratigner le fini. Nettoyez les pales à l'aide d'un linge non pelucheux.

La puissance totale du luminaire est de 19.5 W. Ne tentez pas de remplacer l'ampoule à DEL.

Remplacement des piles : utilisez des piles alcalines AAA de 1,5 V. **AVERTISSEMENT :** Gardez les piles hors de la portée des enfants. Peut causer la mort en cas d'ingestion. En cas d'ingestion d'une pile, consultez immédiatement un médecin. N'essayez pas de recharger des piles non rechargeables. Ne combinez pas divers types de piles, notamment des piles alcalines, carbone-zinc ou rechargeables. Ne combinez pas des piles usagées avec des piles neuves. Insérez les piles en respectant la polarité. Les piles qui n'ont plus de charge doivent être retirées du produit. Ne jetez pas les piles au feu; elles risqueraient de fuir ou d'exploser.

**Important :** Avant de procéder à toute tâche d'entretien, coupez l'alimentation électrique principale. N'utilisez ni eau ni linge humide pour nettoyer le ventilateur de plafond.

## PRÉPARATION

Avant de commencer l'assemblage, assurez-vous d'avoir toutes les pièces. Comparez tout le contenu de l'emballage avec la liste des pièces et celle de la quincaillerie. S'il y a des pièces manquantes ou endommagées, ne tentez pas d'assembler l'article.

Temps d'assemblage approximatif : 120 minutes

Outils nécessaires pour l'assemblage (non inclus) : Tournevis cruciforme, tournevis à tête plate, lunettes de sécurité, escabeau, coupe-fil et pinces à dénuder.

1. Coupez l'alimentation électrique à partir du panneau de disjoncteurs et à l'aide de l'interrupteur mural qui alimente les fils du ventilateur (Figure 1.1). **DANGER** : Le fait de ne pas couper l'alimentation électrique peut entraîner des blessures graves ou la mort.

2. Choisissez la méthode d'installation à suivre.

**L'installation standard** est idéale pour les plafonds d'une hauteur de 2,43 m ou plus. Pour les plafonds très élevés, utilisez une tige plus longue (non incluse).

**L'installation en angle** est idéale pour les plafonds en angle ou à voûte. Vous devrez peut-être utiliser une tige plus longue afin d'obtenir le dégagement nécessaire pour permettre la rotation des pales. Si vous installez le ventilateur sur un plafond en angle, assurez-vous que l'angle n'excède pas 10°.

**L'installation encastrée** n'est pas offerte pour ce ventilateur.

**L'installation sans tige** n'est pas offerte pour ce ventilateur.

3. Assurez-vous que les pales sont situées à une distance d'au moins 76,2 cm de toute obstruction. Vérifiez également la longueur de la tige pour être certain que les pales sont à une distance d'au moins 2,13 m du sol (Figure 1.3).

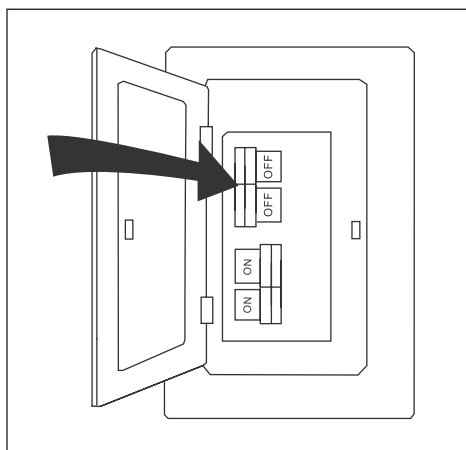


Figure 1.1

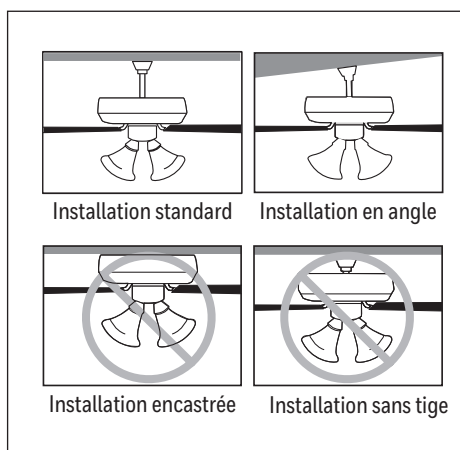


Figure 1.2

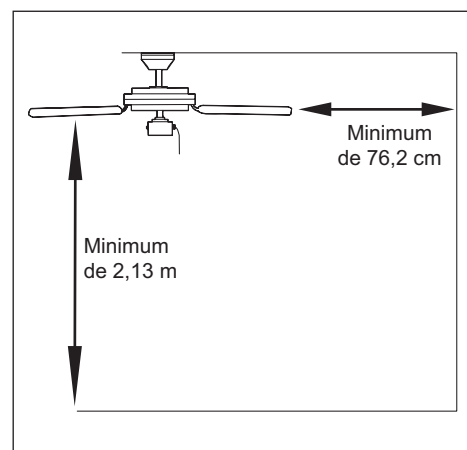


Figure 1.3

## INSTALLATION INITIALE

1. Desserrez les quatre vis de support de fixation situées sur le support de fixation, puis retirez complètement les deux vis de support de fixation des trous ronds du couvercle. Mettez-les de côté pour une utilisation ultérieure. Retirez le support de fixation du couvercle (Figure 2.1).

2. Installez le support de fixation sur la boîte de sortie (non incluse) à l'aide des vis et des rondelles fournies avec la boîte de sortie. **AVERTISSEMENT** : Afin de réduire les risques d'incendie, de choc électrique et de blessure, installez le ventilateur sur une boîte de sortie conçue pour soutenir un ventilateur et utilisez les vis de montage et les rondelles fournies avec la boîte de sortie (Figure 2.2).

3. Retirez le matériel d'emballage orange de l'ensemble moteur (Figure 2.3).

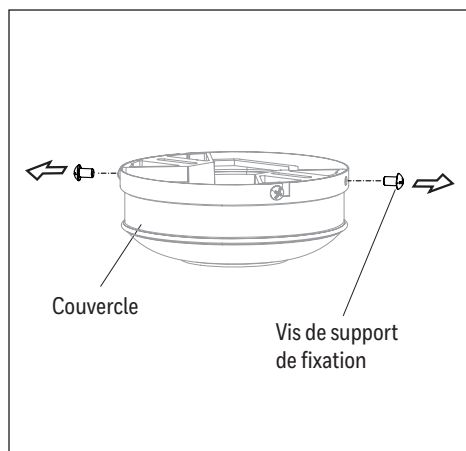


Figure 2.1

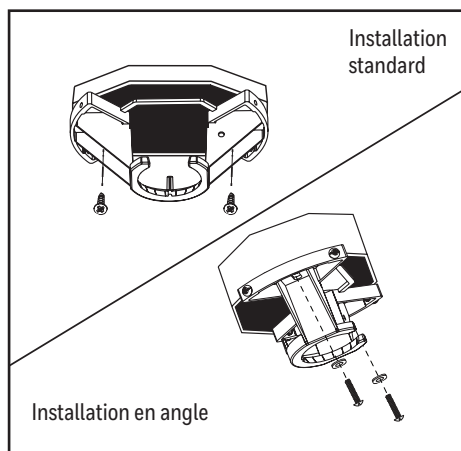


Figure 2.2

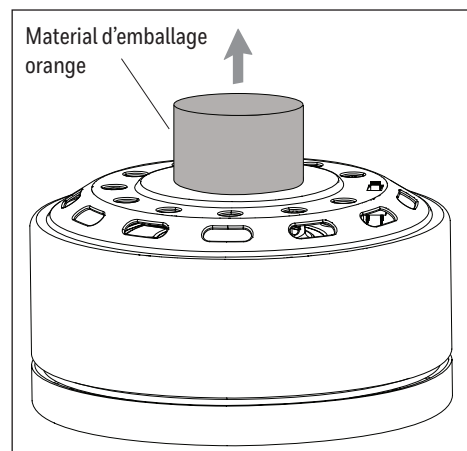


Figure 2.3

## INSTRUCTIONS POUR L'INSTALLATION STANDARD OU EN ANGLE

1. Retirez la pince de tige et la goupille de tige de la tige. Puis, desserrez partiellement les vis de calage du raccord situé dans la partie supérieure de l'ensemble moteur (Figure 3.1).
  2. Insérez la tige dans le couvercle, puis dans le couvercle du raccord. Faites passer les fils et le câble tressé qui sortent du ventilateur dans la tige, puis dans la boule de la tige. Selon la longueur de la tige que vous utilisez, vous devrez peut-être utiliser les fils de connexion de 91,44 cm pour adapter une tige de 91,44 cm ou de 121,92 cm (vendue séparément). Au besoin, branchez le connecteur à 3 broches et à 2 broches partant du centre de la tige sur une extrémité des fils de connexion de 91,44 cm. Remarque : La tige incluse avec ce ventilateur n'utilisera pas les fils de connexion de 91,44 cm (Figure 3.2).
  3. Faites glisser la tige dans le raccord de l'ensemble moteur, alignez les trous, puis réinstallez la goupille de tige et la pince de tige. Fixez à l'aide de deux vis de calage et faites glisser le couvercle du raccord vers le bas jusqu'à ce qu'il repose sur le dessus de l'ensemble moteur (Figure 3.3).
  4. Insérez l'extrémité sphérique de la tige dans l'ouverture du support de fixation. Faites tourner le ventilateur dans le support de fixation jusqu'à ce qu'une fente de l'extrémité sphérique de la tige s'insère dans la languette du support de fixation (Figure 3.4).
- AVERTISSEMENT :** S'ils sont bien installés, le ventilateur et la tige ne devraient pas tourner dans le support de fixation. Si la fente n'est pas alignée sur la languette, le ventilateur risque de tomber, ce qui pourrait entraîner des blessures graves ou la mort.
5. Insérez le récepteur dans le support de fixation en insérant l'antenne en premier et en orientant le côté plat vers le plafond.
- Remarque :** Le récepteur reposera directement sur la tige (Figure 3.5).

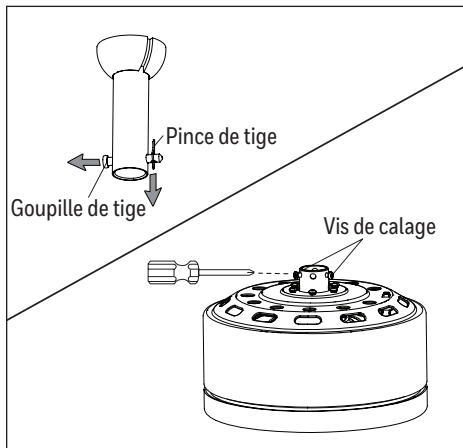


Figure 3.1

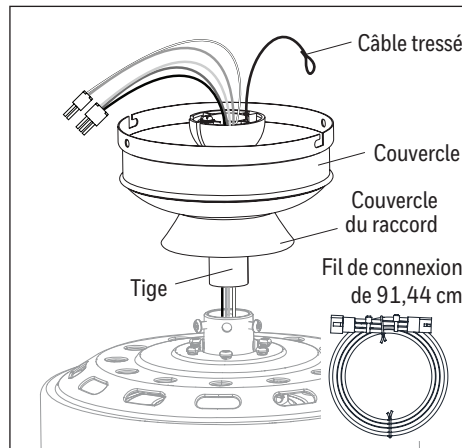


Figure 3.2

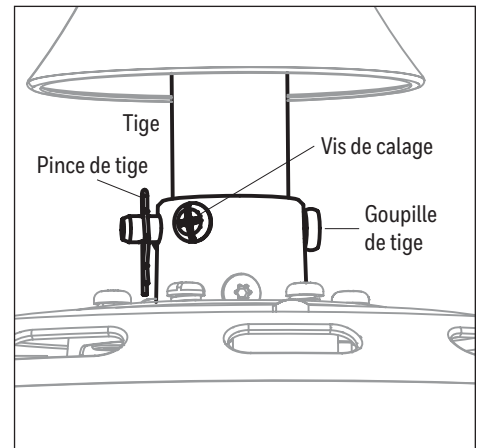


Figure 3.3

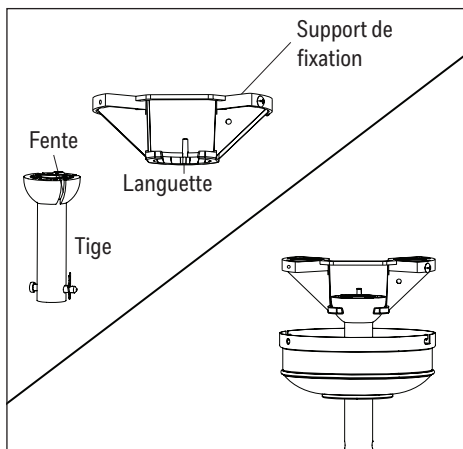


Figure 3.4

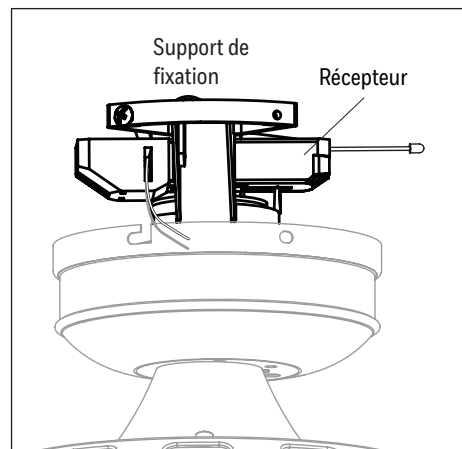


Figure 3.5

## SYSTÈME DE FIXATION SECONDAIRE

**Pour une installation aux États-Unis :** Les codes du bâtiment des États-Unis ne nécessitent pas l'installation d'un système de fixation secondaire. Au besoin, le câble tressé peut être coupé et retiré à l'aide d'un coupe-fil (vendu séparément).

**Pour une installation au Canada :** Conformément aux codes du bâtiment du Canada, l'installation d'un système de fixation secondaire est nécessaire.

1. Faites passer la boucle du câble tressé préassemblé à l'ensemble moteur à travers la boîte de sortie fixée au plafond (Figure 4.1).
2. Insérez partiellement la vis de soutien secondaire, la rondelle à ressort secondaire et la rondelle de soutien dans le côté de l'entretoise fixée au plafond. Faites ensuite passer le câble tressé pardessus l'entretoise du plafond et placez la boucle ouverte du câble tressé autour de la vis de soutien secondaire. **Remarque :** Il est possible que vous ne puissiez pas accéder à l'entretoise du plafond par en dessous. Il faudra alors y accéder par-dessus. **Important :** Le câble tressé doit effectuer un tour complet autour de l'entretoise pour que le ventilateur soit fixé (Figure 4.2).
3. Serrez la vis de soutien secondaire de façon à fixer le câble tressé (Figure 4.3).

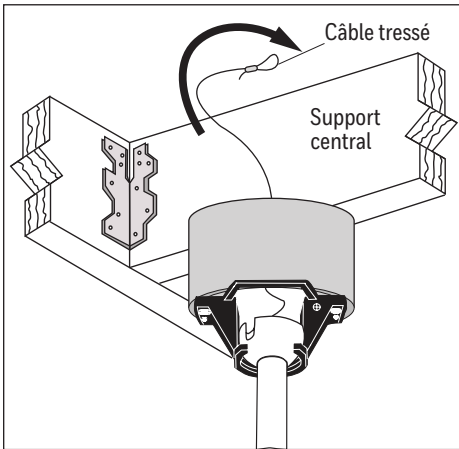


Figure 4.1

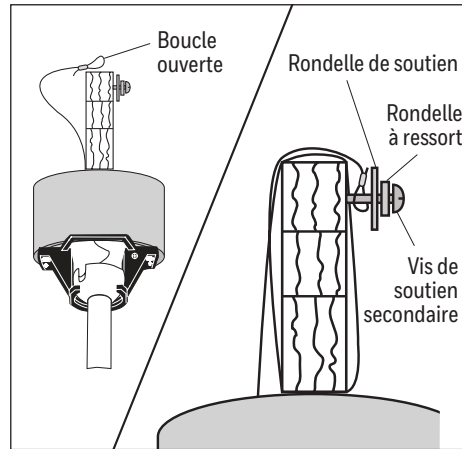


Figure 4.2

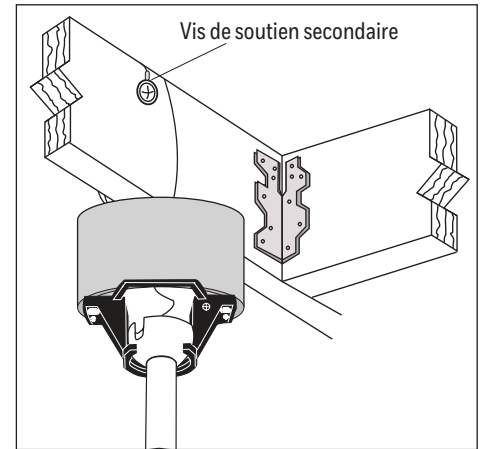


Figure 4.3

## INSTALLATION DÉFINITIVE

1. Effectuez les connexions de câbles suivantes conformément au schéma et aux étapes suivantes (Figure 5.1) :
    - Utilisez le capuchon de connexion du sac de quincaillerie pour raccorder les fils verts de la tige et du support de fixation au fil d'alimentation vert/dénudé (mise à la terre).
    - Soulevez le levier, poussez le fil d'alimentation blanc (neutre) dans le trou vide du capuchon de connexion préassemblé au fil blanc du récepteur, puis abaissez le levier pour fixer le fil.
    - Soulevez le levier, poussez le fil d'alimentation noir (chargé) dans le trou vide du capuchon de connexion préassemblé au fil rouge du récepteur, puis abaissez le levier pour fixer le fil.
    - Branchez les connecteurs à broches du récepteur aux connecteurs à broches du ventilateur : 3 broches à 3 broches et 2 broches à 2 broches.
- Important :** Si la couleur des fils d'alimentation du domicile ne correspond pas à celle indiquée ci-dessus, confiez le câblage à un électricien professionnel.
2. Soulevez le couvercle en vous assurant que les deux vis du support de fixation sont alignées sur les fentes en « J » du couvercle. Tournez ensuite le couvercle dans le sens des aiguilles d'une montre jusqu'à ce que les vis du support de fixation soient complètement engagées dans les fentes en « J » (Figure 5.2).

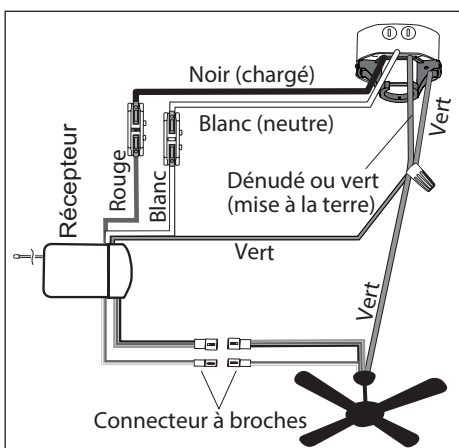


Figure 5.1

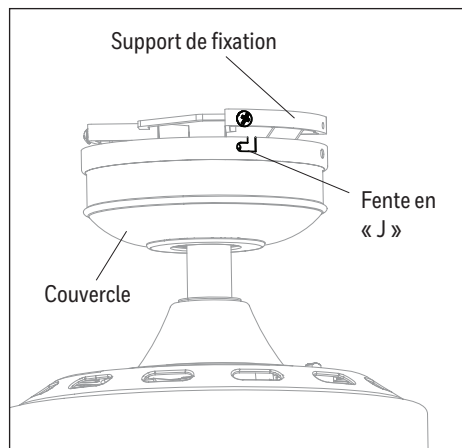


Figure 5.2

## INSTALLATION DÉFINITIVE

3. Installez les 2 vis du support de fixation retirées précédemment dans les trous ronds. Serrez fermement toutes les vis du support de fixation (Figure 5.3).
4. Insérez partiellement trois vis de pale munies chacune d'une rondelle de pale dans la pale, le support de pale et le médaillon. Serrez chaque vis de pale en commençant par celle du centre. Répétez cette étape pour les autres pales. **Remarque :** Assurez-vous que le bord concave du médaillon est parallèle au bord concave de la pale (Figure 5.4).
5. Fixez un support de pale à la partie inférieure du moteur à l'aide des vis de moteur retirées précédemment. Fixez solidement chaque support de pale au moteur avant de passer à la fixation suivante (Figure 5.5).
6. Retirez l'une des trois vis de plaque de fixation préassemblées à la plaque de fixation et desserrez les deux autres vis sans les retirer. Faites passer le connecteur à une broche dans le trou central de plaque du luminaire. Alignez les encoches en trou de serrure de la plaque du luminaire sur les vis desserrées de la plaque de fixation. Tournez la plaque de luminaire dans le sens des aiguilles d'une montre et remplacez la vis de plaque de fixation retirée précédemment. Serrez toutes les vis (Figure 5.6).
7. Retirez les quatre vis de plaque du luminaire préassemblées à la plaque du luminaire. Raccordez ensuite le connecteur à une broche du ventilateur au connecteur à une broche de luminaire - bleu à noir et blanc à blanc. Fixez de luminaire à l'aide de la vis de plaque du luminaire retirée précédemment (Figure 5.7).
8. L'ensemble de contrôle à distance comprend un support mural. Pour installer le support mural, retirez la petite plaque afin d'exposer les trous de vis. Insérez les vis du support mural dans les trous, puis dans le mur, et couvrez-les à l'aide de la petite plaque retirée précédemment. La télécommande peut être rangée dans le support mural pour en faciliter l'accès (Figure 5.8).

Alimentez l'appareil à partir du panneau de disjoncteurs et à l'aide de l'interrupteur mural qui alimente les fils du ventilateur. L'assemblage est terminé.

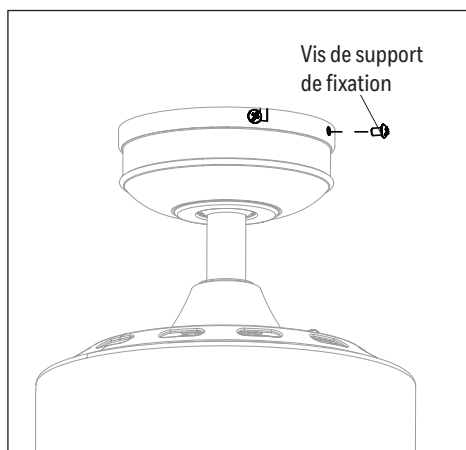


Figure 5.3

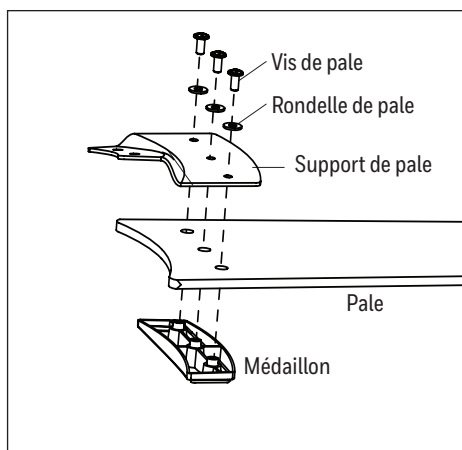


Figure 5.4

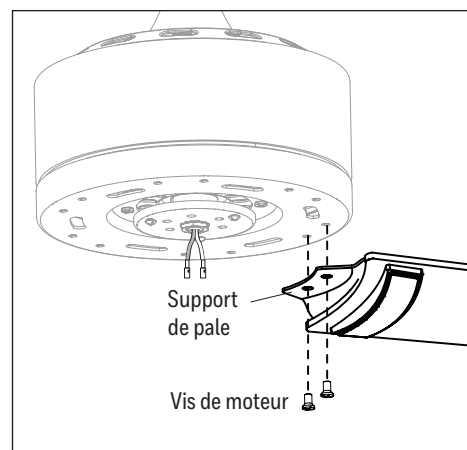


Figure 5.5

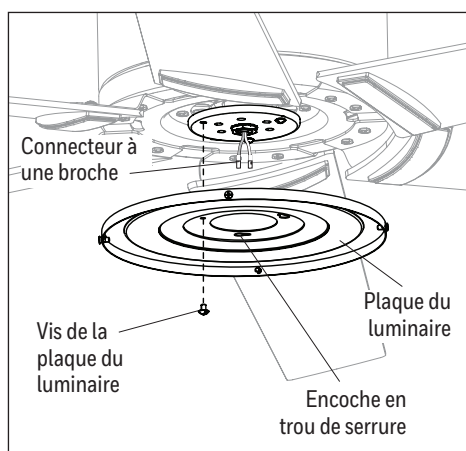


Figure 5.6

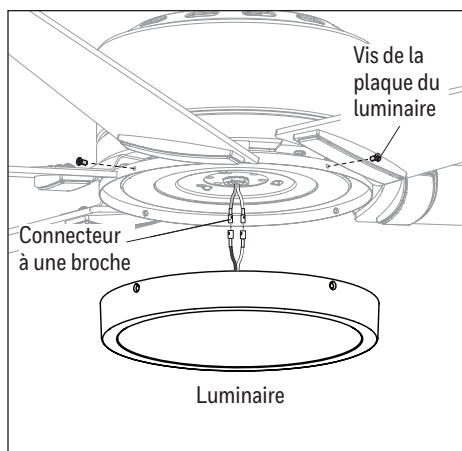


Figure 5.7

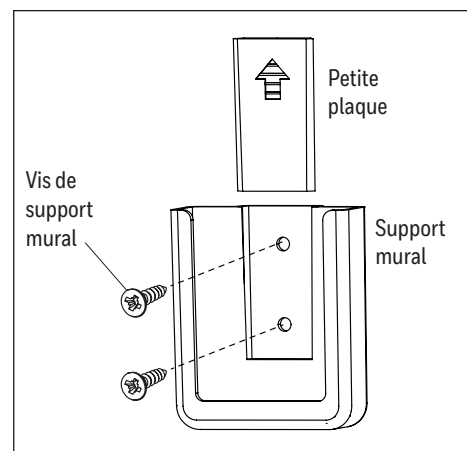




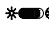







Figure 5.8

## MODE D'EMPLOI

1. À l'aide d'un tournevis à tête plate, retirez le couvercle du compartiment à piles situé à l'arrière de la télécommande de l'ensemble de contrôle à distance, au besoin. Insérez la pile dans la télécommande; veillez à ce que la polarité de la pile corresponde à celle indiquée dans le compartiment à piles : positif (+) sur positif (+) et négatif (-) sur négatif (-). Remplacez le couvercle arrière, puis appuyez sur le bouton d'alimentation de la télécommande pour vous assurer que le voyant à DEL s'allume et que la télécommande met le ventilateur en marche (Figure 6.1).
  2. Pour faire fonctionner le ventilateur au moyen de la télécommande, appuyez, puis relâchez les boutons suivants (Figure 6.2) :
    - **Voyant à DEL** - Devrait s'allumer lorsque vous appuyez sur n'importe quel bouton de la télécommande. S'il ne le fait pas, remplacez les piles AAA de 1.5 V.
-  **Alimentation du ventilateur** offre trois options :
-  Éteint le ventilateur et le met en marche à la dernière vitesse réglée.
  -  Augmente la vitesse du ventilateur.
  -  Diminue la vitesse du ventilateur.
- 2hr** **Minuteur de mise en veille** – arrête le ventilateur après 2 heures (2hr). Appuyez sur l'interrupteur du ventilateur pour la désactiver.
- 4hr** **Minuteur de mise en veille** – arrête le ventilateur après 4 heures (4hr). Appuyez sur l'interrupteur du ventilateur pour la désactiver.
- 8hr** **Minuteur de mise en veille** – arrête le ventilateur après 8 heures (8hr). Appuyez sur l'interrupteur du ventilateur pour la désactiver.
-  **Interrupteur d'inversion** – Lorsque les températures sont chaudes, vous pouvez régler l'interrupteur d'inversion vers la gauche pour orienter le débit d'air vers le bas et ainsi obtenir l'effet d'un vent rafraîchissant. Lorsque les températures sont plus froides, vous pouvez régler l'interrupteur d'inversion vers la droite pour orienter le débit d'air vers le haut et ainsi déplacer l'air chaud qui stagne au plafond. **Important** : Attendez que le ventilateur s'arrête avant de déplacer l'interrupteur d'inversion. L'interrupteur d'inversion doit être réglé complètement vers la droite ou complètement vers la gauche pour que le ventilateur fonctionne correctement. Si vous réglez l'interrupteur d'inversion à la position centrale, le ventilateur ne fonctionnera pas.
-  **Mode d'arrêt différé de l'éclairage** – Reporte l'arrêt du luminaire d'une minute pour permettre de sortir de la pièce de façon sécuritaire. La lumière du ventilateur clignote une fois pour confirmer que le mode d'arrêt différé de l'éclairage est activé. Appuyez sur n'importe quel bouton pour annuler cette fonction.
-  **Home Shield™** – Permet de donner l'impression qu'il y a quelqu'un à la maison même lorsqu'il n'y a personne. Le ventilateur demeure éteint et la lumière se met en marche de façon aléatoire au moins cinq minutes pour un maximum de 20 minutes. La lumière demeure éteinte pendant 60 minutes entre les mises en marche. Appuyez sur le bouton et maintenez-le enfoncé pour activer cette fonction. La lumière clignote pour confirmer que le réglage HomeShield est activé. Appuyez sur n'importe quel bouton pour annuler cette fonction.
-  **Brise variable** - Simule une brise naturelle. Appuyez sur le bouton et maintenez-le enfoncé pour activer cette fonction. Appuyez sur n'importe quel bouton de réglage de la vitesse pour annuler cette fonction.
-  **Commande d'éclairage** - Appuyez sur le bouton de commande d'éclairage pour allumer et éteindre le luminaire. Maintenez le bouton de commande d'éclairage enfoncé pour augmenter ou diminuer l'intensité de la lumière.
-  **Couleur de l'éclairage** – maintenez le bouton enfoncé pour choisir parmi les températures de couleur allant de 2200 K (blanc chaud) à 6500 K (lumière du jour).

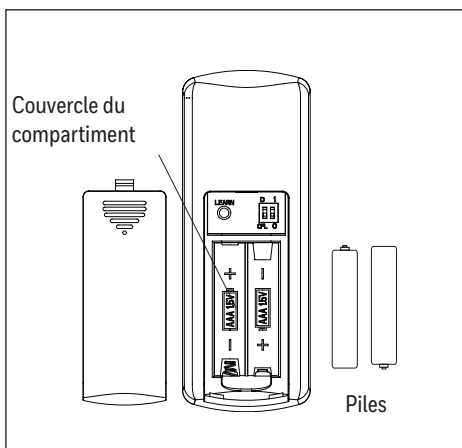


Figure 6.1

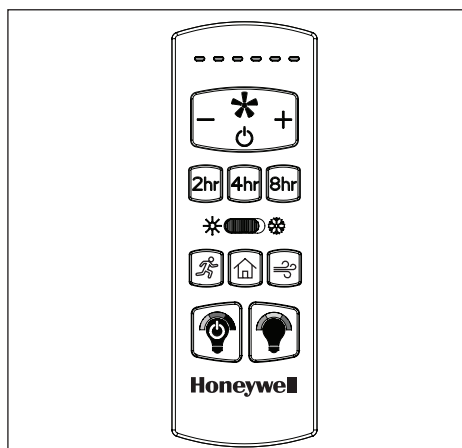


Figure 6.2

## DÉPANNAGE

Si vous éprouvez des problèmes, reportez-vous à la section Dépannage ci-dessous. Si vous ne parvenez pas à résoudre un problème ou si vous éprouvez des difficultés lors de l'installation, veuillez communiquer avec le service au 1 877 361-3883 du lundi au vendredi, entre 8 h et 17 h (HNC).

**AVERTISSEMENT :** Avant de procéder à toute tâche d'entretien, coupez l'alimentation électrique principale.

PROBLÈME	MESURE CORRECTIVE
Le ventilateur ne se met pas en marche :	<ol style="list-style-type: none"><li>1. Poussez l'interrupteur d'inversion complètement vers la droite ou la gauche.</li><li>2. Assurez-vous que l'interrupteur mural est allumé.</li><li>3. Rétablissez l'alimentation électrique ou vérifiez le fusible (disjoncteur).</li><li>4. Coupez l'alimentation électrique et vérifiez toutes les connexions de la boîte de sortie du plafond.</li></ol>
Le ventilateur est bruyant :	<ol style="list-style-type: none"><li>1. Vérifiez et serrez toutes les vis qui fixent les pales aux supports et au moteur.</li><li>2. Remplacez la pale fissurée.</li><li>3. N'utilisez pas un gradateur pleine bande pour commander la vitesse du ventilateur.</li><li>4. Assurez-vous que la boîte de sortie est bien fixée à la structure de l'immeuble</li><li>5. Assurez-vous que le support de fixation est bien fixé à la boîte de sortie et que les vis sont serrées</li></ol>
L'appareil oscille excessivement :	<ol style="list-style-type: none"><li>1. Vérifiez et serrez toutes les vis qui fixent les pales aux supports et les supports au moteur.</li><li>2. Vous pouvez également équilibrer le ventilateur à l'aide d'un ensemble d'équilibrage.</li><li>3. Coupez l'alimentation électrique. Desserrez le couvercle et vérifiez si le support de fixation est bien fixé à la boîte de sortie. Le support doit être de niveau et reposer fermement contre la boîte de sortie. Vérifiez si la boîte de sortie est bien fixée.</li><li>4. Utilisez une tige plus longue (vendue séparément) ou déplacez le ventilateur.</li><li>5. Soulevez le couvercle du raccord et serrez les vis de calage du raccord pour bien le fixer.</li></ol>
Le ventilateur fonctionne correctement, mais les lumières ne s'allument pas :	<ol style="list-style-type: none"><li>1. Assurez-vous que les connecteurs du boîtier de l'interrupteur sont raccordés correctement.</li><li>2. Coupez l'alimentation électrique et vérifiez toutes les connexions de la boîte de sortie du plafond.</li></ol>
La télécommande ne fonctionne pas :	<ol style="list-style-type: none"><li>1. Une surtension peut avoir effacé la mémoire. La télécommande doit être resynchronisée avec le récepteur. Instructions pour la synchronisation : Coupez l'alimentation électrique du ventilateur, puis rétablissez-la. Dans un délai de 30 secondes, appuyez sur le bouton LEARN [apprentissage] (Figure 6.1) situé dans le compartiment à piles) et maintenez-les enfoncés pendant 5 secondes. Le ventilateur tournera à basse vitesse et la lumière sera éteinte. Cela indique que la télécommande a été synchronisée.</li><li>2. Insérez de nouvelles piles AAA de 1,5 V dans le compartiment à piles de la télécommande.</li><li>3. Si plusieurs ventilateurs sont installés à proximité, mettez les autres ventilateurs hors tension avant de resynchroniser la télécommande (consultez la mesure corrective 1 ci-dessus).</li></ol>

## GARANTIE À VIE LIMITÉE

Comme il est indiqué ci-dessous, le fabricant garantit le moteur de ce ventilateur de plafond contre tout défaut de matériaux ou de fabrication pour toute la durée de vie de l'article. De plus, sous réserve des limitations ci-dessous, le fabricant garantit toutes les pièces du ventilateur de plafond (les « pièces du ventilateur de plafond » ne comprennent pas le moteur et les pièces faites en tout ou en partie de verre) contre tout défaut de matériaux ou de fabrication pour une période de un an à compter de la date d'achat par l'acheteur initial.

Toutes les réclamations doivent être faites par l'acheteur initial chez un détaillant autorisé, que cet acheteur ait acheté l'article dans un magasin ou d'un entrepreneur. Les défauts aux pièces du ventilateur de plafond doivent être signalés dans un délai d'un an à compter de la date d'achat. Les pièces fabriquées en tout ou en partie avec du verre et les finis des composants en métal et d'autres surfaces ne sont pas garantis.

Tous les frais de désinstallation et de réinstallation de l'article incombent à l'acheteur. Les dommages causés à n'importe quelle pièce par une usure normale, un accident, un usage inapproprié ou une installation inadéquate ne sont pas couverts par la présente garantie. Le fabricant n'est aucunement responsable de l'installation du ventilateur. Toute réparation effectuée par un électricien non qualifié annulera la garantie.

La responsabilité du fabricant se limite à réparer ou à remplacer le moteur, les pièces ou l'article sous réserve des conditions énoncées ci-dessus. Le fabricant ne saurait en aucun cas être tenu responsable des pertes ni des dommages, y compris les dommages accessoires ou consécutifs découlant directement ou indirectement d'un manquement à toute garantie explicite ou implicite ou de tout autre défaut de cet article. Certains États ou certaines provinces ne permettent pas l'exclusion ou la limitation des dommages accessoires ou consécutifs, de sorte que les exclusions ou les limitations mentionnées ci-dessus peuvent ne pas s'appliquer à vous.

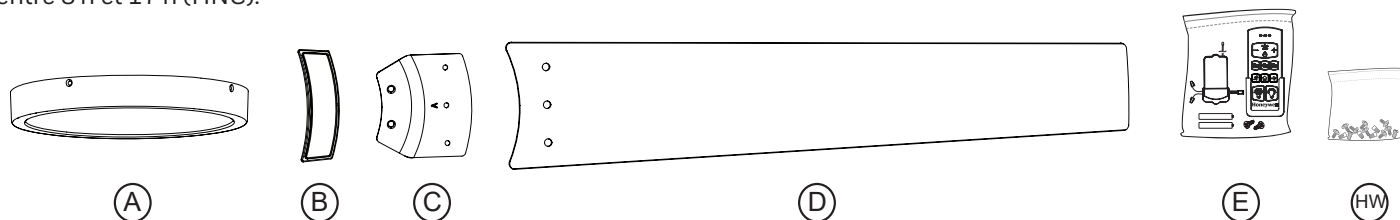
Si l'acheteur initial n'est plus propriétaire de l'article, la présente garantie est annulée.

Si le ventilateur présente un problème lié à un défaut de matériaux ou de fabrication pendant la période de garantie associée à la pièce défectueuse, le fabricant accepte de remplacer la pièce défectueuse sans frais ou, à sa discrétion, de remplacer le ventilateur de plafond par un modèle comparable ou supérieur.

Les garanties du fabricant sont limitées aux garanties écrites énoncées dans la présente garantie à vie limitée sur le ventilateur de plafond. Toute autre garantie implicite ou expresse, y compris, mais sans s'y limiter, toute garantie implicite de qualité marchande ou d'adéquation à un usage particulier, est non valide. Certains États ou certaines provinces ne permettent pas l'exclusion des garanties implicites, de sorte que l'exclusion susmentionnée peut ne pas s'appliquer à vous.

## LISTES DES PIÈCES DE RECHANGE

Pour obtenir des pièces de rechange, communiquez avec le service à la clientèle au (1 877 361-3883) du lundi au vendredi, entre 8 h et 17 h (HNC).



53041

A	Ensemble de luminaire	4A000021930
B	Médallon (x6)	4A073540007
C	Support de pale (x6)	4A074510002
D	Pale (x6)	4A086940001
E	Ensemble de contrôle à distance	4A000030550
HW	Trousse de quincaillerie	4A000030480

La marque de commerce Honeywell est utilisée sous la licence octroyée par Honeywell International Inc.

Honeywell International Inc. n'offre aucune représentation ni garantie relativement à ce produit.

Cet article est fabriqué pour

**Hong Kong China Electric Appliance, LTD.**

3350 Players Club Parkway, Suite 225

Memphis, TN 38125

1 (877) 361-3883

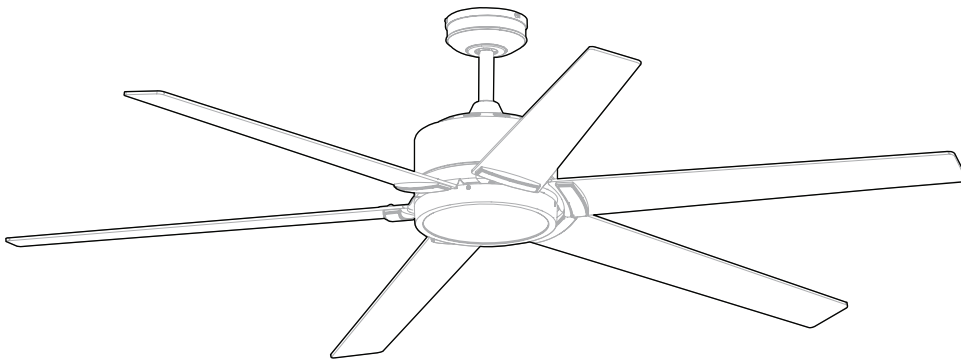
10239 • 032525

# Honeywell

## Ventilador de techo Talbert

### Guía del usuario

Lea y guarde estas instrucciones antes de usar el producto

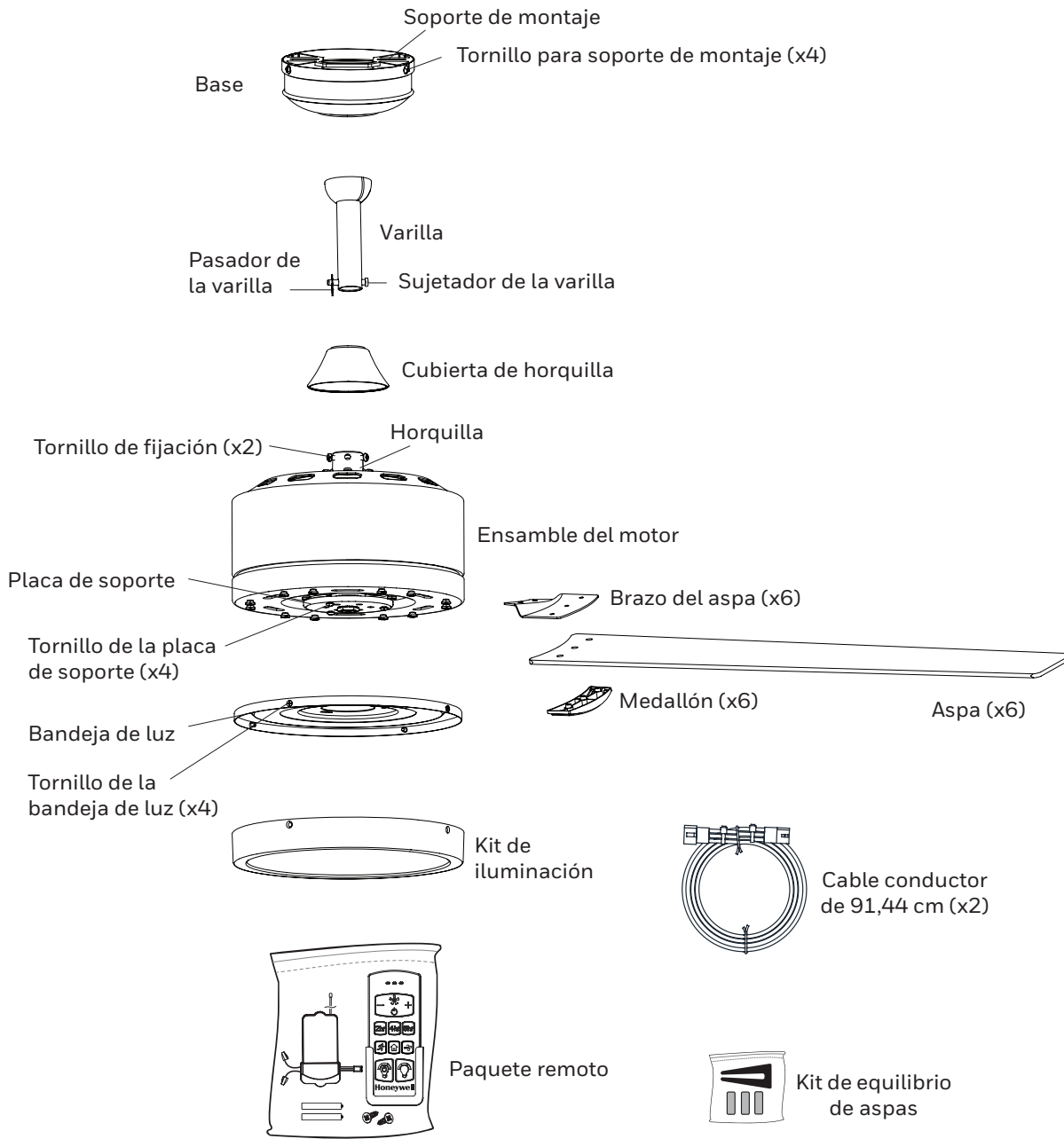


---

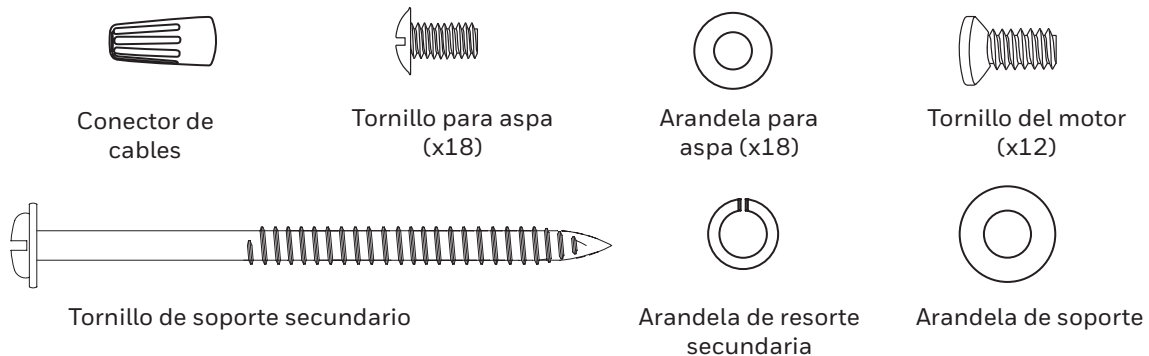
Modelo #53041

---

## CONTENIDO DEL PAQUETE



## ADITAMENTOS



**Nota:** es posible que se incluyan algunos aditamentos adicionales. Las cantidades que se indican arriba son las necesarias para la instalación.

## GRACIAS

Los ventiladores de techo Honeywell cuentan con una colección de ventiladores de varios tamaños y especificaciones para garantizar que su elección de ventilador para interiores o exteriores brinde un rendimiento óptimo para el tamaño de su habitación. Puede confiar en que la calidad de los ventiladores de techo Honeywell brindará el máximo flujo de aire y opciones de iluminación con estilo. Los ventiladores de techo Honeywell utilizan materiales de alta calidad que son duraderos para brindar una excelente apariencia y para durar muchos años.

## INFORMACIÓN DE SEGURIDAD

Por favor lea y entienda la totalidad de este manual antes de intentar ensamblar, operar o instalar el producto.

- Antes de que comience a instalar el ventilador, desconecte el suministro eléctrico retirando los fusibles o apagando el interruptor cortacircuitos.
- Asegúrese de que todas las conexiones eléctricas cumplan con los códigos y decretos locales, con el Código Eléctrico Nacional, y con la norma ANSI/NFPA 70-199. Contrate a un electricista calificado o consulte un manual de cableado "hágalo usted mismo" si usted no está familiarizado con la instalación de cableado eléctrico.
- Asegúrese de que el sitio de instalación que escogió permita un espacio libre mínimo de 7 pies (2,14 m) desde las aspas hasta el piso y al menos 30 pulg. (76 cm) desde el extremo de las aspas a cualquier obstrucción.
- CALIFICADO PARA USO EN INTERIORES. Este ventilador no es adecuado para lugares húmedos o exteriores.
- El peso neto de este ventilador es: 11,52 kg.

**⚠ PELIGRO:** cuando use una caja de distribución existente, asegúrese de que dicha caja de distribución está sujeta con seguridad a la estructura del edificio y que puede soportar el peso total del ventilador. El no hacerlo puede ocasionar lesiones graves o la muerte. La estabilidad de la caja de distribución es esencial para minimizar el bamboleo y el ruido del ventilador después que se ha completado la instalación.

**⚠ ADVERTENCIA:** para reducir el riesgo de incendios o descargas eléctricas, no use el ventilador con dispositivos de control de velocidad para estado sólido ni controle la velocidad del ventilador con un regulador de intensidad de rango completo.

**⚠ ADVERTENCIA:** para reducir el riesgo de incendios, descargas eléctricas o lesiones personales, instale el ventilador en una caja de salida marcada como "APTA PARA SOSTENER UN VENTILADOR" y utilice los tornillos de montaje incluidos en la caja de salida. La mayoría de las cajas de salida que se usan comúnmente para sostener ensambles de iluminación no son aptas para sostener un ventilador y puede ser necesario reemplazarlas. Si tiene dudas, consulte a un electricista calificado. Asegure la caja de salida directamente a la estructura del edificio. La caja de salida y su soporte deben ser capaces de sostener el peso del ventilador en movimiento (al menos 15,88 kg).

**⚠ ADVERTENCIA:** para reducir el riesgo de incendios, descargas eléctricas o lesiones personales, los conectores de cables proporcionados con este ventilador están diseñados para soportar solo un cable de la casa de calibre 12 y dos cables conductores del ventilador. Si el cable de su casa es de un calibre superior a 12 o hay más de un cable para conectar los dos cables conductores del ventilador, pregúntele a un electricista cuál es el tamaño adecuado de los conectores de cables que debe utilizar.

**⚠ ADVERTENCIA:** para reducir el riesgo de incendios, descargas eléctricas o lesiones personales, no doble los brazos de las aspas al instalarlas, al equilibrarlas o al limpiar el ventilador. No introduzca objetos entre las aspas en movimiento.

**⚠ ADVERTENCIA:** para reducir el riesgo de lesiones personales, use solo las piezas que se incluyen con este ventilador. El uso de piezas distintas a aquellas que se incluyen con este ventilador anulará la garantía.

**PRECAUCIÓN:** asegúrese de que la caja de salida cuente con la puesta a tierra adecuada o de que haya un conductor (verde o desnudo) de tierra.

**PRECAUCIÓN:** revise cuidadosamente todos los tornillos, pernos y tuercas en el ensamble del motor del ventilador para comprobar que no estén flojos.

## INFORMACIÓN DE SEGURIDAD

**PRECAUCIÓN:** Este dispositivo cumple con el estándar(s) exento de licencia de la industria de Canadá RSS. El funcionamiento está sujeto a las siguientes dos condiciones: (1) este dispositivo no debe causar interferencia, y (2) este dispositivo deberá aceptar cualquier interferencia recibida, incluida la interferencia que pudiese causar la operación no deseada (si es necesario).

CAN ICES-003 (B) / NMB-003 (B)

CAN ICES-005 (B) / NMB-005 (B)

Este dispositivo cumple con la sección 15 de las reglas de la FCC. El funcionamiento está sujeto a las siguientes dos condiciones: (1) este dispositivo no debe causar interferencia perjudicial, (2) este dispositivo deberá aceptar cualquier interferencia recibida, incluida la interferencia que pudiese causar la operación no deseada.

Este equipo ha sido probado y se ha verificado que cumple con los límites para un dispositivo digital clase B, conforme a la sección 15 de las reglas de la FCC. Estos límites están diseñados para proporcionar protección razonable contra interferencias perjudiciales en una instalación residencial. Este equipo genera, utiliza y puede irradiar energía de radiofrecuencia y, si no se instala y se usa de acuerdo con las instrucciones, puede causar interferencia perjudicial para las comunicaciones de radio.

Sin embargo, no se garantiza que no se producirán interferencias en una instalación en particular. Si este equipo genera una interferencia perjudicial para la recepción de radio o televisión, que se puede determinar apagando y encendiendo el equipo, se recomienda al usuario que intente corregir la interferencia con una o más de las siguientes medidas:

--Reoriente o reubique la antena de recepción.

--Aumente la separación entre el equipo y el receptor.

--Conecte el equipo a un tomacorriente de un circuito distinto del que usa el receptor.

--Solicite ayuda al distribuidor o a un técnico con experiencia en radio/TV.

Tenga presente que cualquier cambio o modificación que no esté expresamente aprobado por la parte responsable del cumplimiento podría anular la autorización del usuario para utilizar el equipo.

HKC-US

3350 Players Club Parkway #225

Memphis, TN 38125

1-877-361-3883

## CUIDADO Y MANTENIMIENTO

Al menos dos veces al año, baje la base para revisar en ensamble de la varilla, y luego apriete todos los tornillos en el ventilador. Limpie la carcasa del motor solo con un cepillo suave o un paño sin pelusas para evitar rayar el acabado. Limpie las aspas con un paño sin pelusas.

El vataje total de la lámpara es de 19.5 vatios; no intente reemplazar la bombilla LED.

Reemplazo de la batería: use baterías alcalinas AAA de 1.5 V. **ADVERTENCIA:** mantenga las baterías lejos del alcance de los niños. Puede ser fatal si se ingiere. En caso de ingestión de una batería, consulte inmediatamente a un médico. No deben recargarse las baterías que no estén creadas para tal fin. No mezcle los diferentes tipos de baterías, como alcalinas, carbono-zinc o baterías recargables. No mezcle baterías antiguas con nuevas. Las baterías se deben introducir en la polaridad correcta. Las baterías agotadas se deben retirar del producto. No incinere las baterías, ya que podrían explotar o filtrarse.

**Importante:** antes de realizar cualquier trabajo de mantenimiento, desconecte el suministro de electricidad principal. No utilice agua ni un paño húmedo para limpiar el ventilador.

## PREPARACIÓN

Antes de comenzar a ensamblar este producto, asegúrese de tener todas las piezas. Compare todas las piezas con la lista del contenido del paquete y la lista de aditamentos. No intente ensamblar el producto si falta alguna pieza o si estas están dañadas.

Tiempo estimado de ensamblaje: 2 horas

Herramientas necesarias para el ensamblaje (no se incluyen): cinta aislante, destornillador Phillips, pinza, gafas de seguridad, escalera de tijera, pinza pelacables

1. Gire los soportes de circuito y el interruptor de pared hacia los conductores de la línea de suministro del ventilador (Figura 1.1).

**PELIGRO:** si no interrumpe el suministro de electricidad antes de la instalación, pueden producirse lesiones graves o la muerte.

2. Seleccione una de las siguientes opciones de montaje (Figura 1.2):

**Montaje estándar** - es más adecuado para los techos de más de 2,43 m de altura. Para los techos más altos, se recomienda utilizar una varilla más larga (no incluida).

**Montaje en ángulo** - es más adecuado para los techos en ángulo o de bóveda. En ocasiones, es necesario utilizar una varilla más larga para garantizar que la separación entre las aspas y el techo sea adecuada. Si realiza el montaje en ángulo, verifique que el ángulo del techo no tenga una inclinación superior a 10°.

**Montaje al ras** - no está disponible para este artículo.

**El método de montaje cerrado** - no está disponible para este artículo.

3. Elija la ubicación apropiada - Asegúrese de que las aspas estén al menos a 76,2 cm de cualquier obstrucción y al menos a 2,13 m del piso (Figura 1.3).

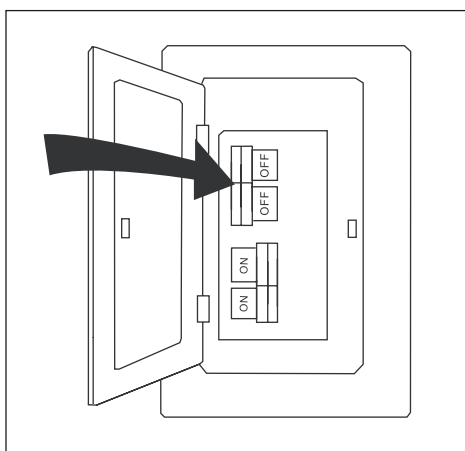


Figura 1.1

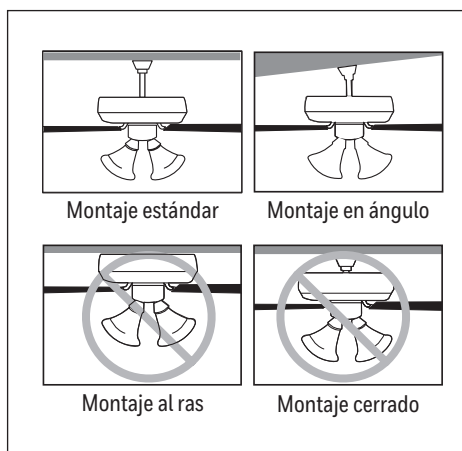


Figura 1.2

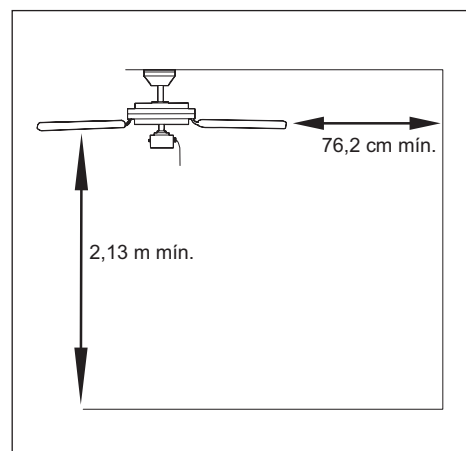


Figura 1.3

## INSTALACIÓN INICIAL

1. Afloje los cuatro tornillos del soporte de montaje preensamblados, luego retire completamente los dos tornillos del soporte de montaje de los orificios redondos de la base. Déjelos a un lado para usarlos posteriormente (Figura 2.1).

2. Fije el soporte de montaje a la caja de salida (no se incluye) con los tornillos y las arandelas incluidos con la caja de salida (se vende por separado) (Figura 2.2).

3. Deseche el material de embalaje anaranjado de la parte superior e inferior del conjunto del motor (Figura 2.3).

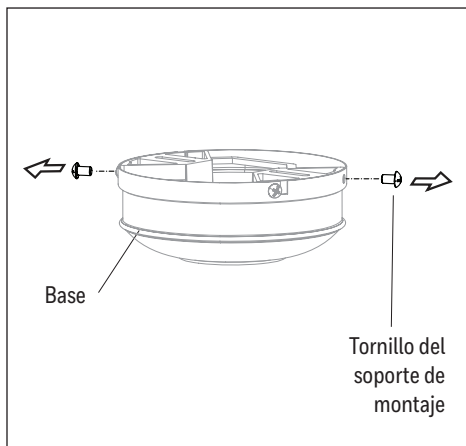


Figura 2.1

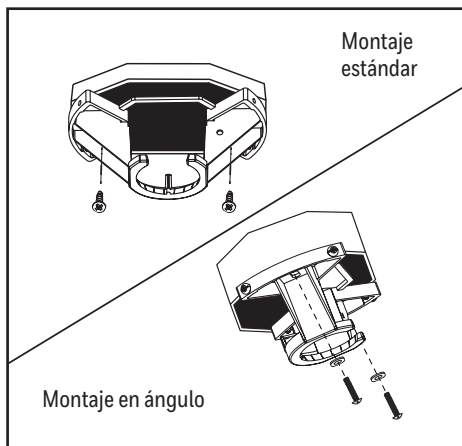


Figura 2.2

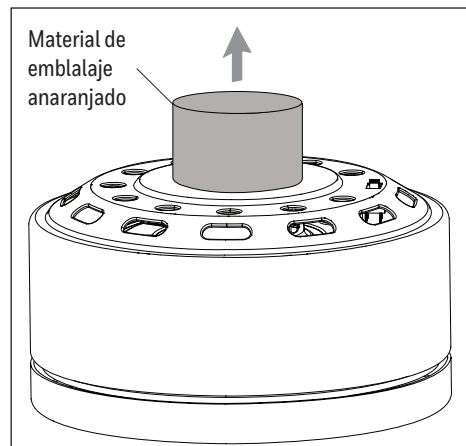


Figura 2.3

## INSTRUCCIONES DE MONTAJE ESTÁNDAR O EN ÁNGULO

1. Retire el sujetador de la varilla y el pasador de la varilla de la varilla. Luego afloje parcialmente los tornillos de fijación que se encuentran en la horquilla de la parte superior del ensamblaje del motor (Figura 3.1).
2. Inserte la varilla a través de la base y la cubierta de la horquilla. Pase los conductores y el cable trenzado del ventilador a través de la varilla y luego a través de la bola de la varilla. Según la longitud de la varilla que utilice, es posible que tenga que utilizar los cables conductores de 91.44 cm para alojar una varilla de 91.44 cm o 121.92 cm (se venden por separado). Cuando sea necesario, conecte el conector de 3 clavijas y 2 clavijas que se extiende desde el centro de la varilla a un extremo de los cables conductores de 91.44 cm. **Nota:** la varilla que se incluye con este ventilador no utilizará el cables conductores de 91.44 cm (Figura 3.2).
3. Deslice la varilla por la horquilla del ensamblaje del motor, alinee los orificios, luego vuelva a instalar el sujetador de la varilla y el pasador de la varilla. Asegure con los tornillos de fijación y deslice la cubierta de la horquilla hacia abajo hasta que quede sobre el ensamblaje del motor (Figura 3.3).
4. Instale el extremo de la bola de la varilla en la abertura del soporte de montaje (Figura 3.4). La varilla no debe girar si está instalada de manera correcta. **ADVERTENCIA:** no alinear la ranura de la varilla con la lengüeta del soporte de montaje podría causar que el ventilador tambalee o se caiga y provocar lesiones graves o la muerte.
5. Inserte el receptor, primero la antena, en el soporte de montaje con el lado plano hacia el techo. **Nota:** el receptor se apoyará directamente sobre la parte superior de la varilla (Figura 3.5).

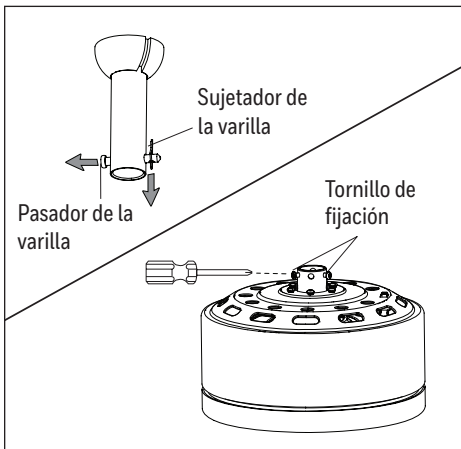


Figura 3.1

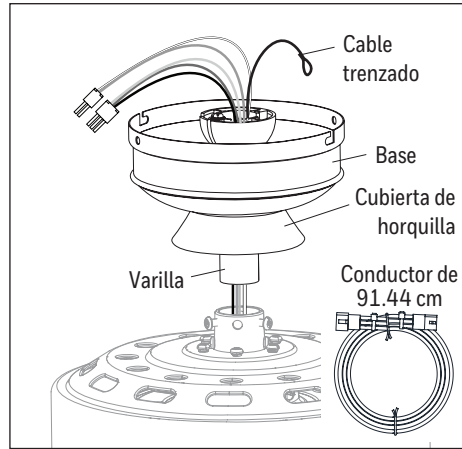


Figura 3.2

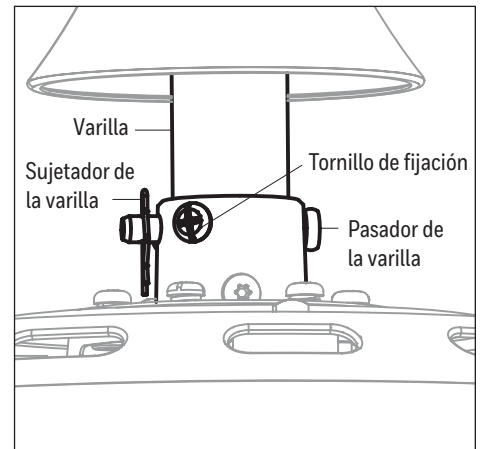


Figura 3.3

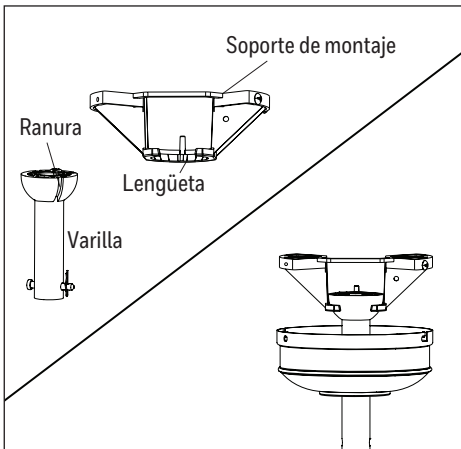


Figura 3.4

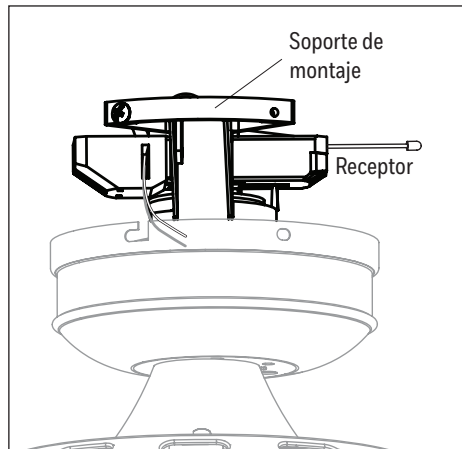


Figura 3.5

## INSTRUCCIONES DE SISTEMA DE SUSPENSIÓN SECUNDARIO

**Para la instalación en los Estados Unidos:** los códigos de construcción en EE. UU. no exigen la instalación de un sistema de suspensión secundario. Si se desea, el cable trenzado se puede cortar y retirar con pinzas de corte (se venden por separado) Continúe con **INSTALACIÓN FINAL**. **Para la instalación en Canadá:** en cumplimiento con los códigos de construcción de Canadá, se requiere la instalación de un sistema de suspensión secundario.

1. Pase el bucle del cable trenzado, preensamblado en el ensamble del motor, hacia arriba a través de la caja de salida montada en el techo (Figura 4.1).
2. Instale el tornillo de soporte secundario, la arandela de resorte secundaria y la arandela de soporte parcialmente en el costado del soporte instalado en el techo. Luego, levante el cable trenzado por sobre el soporte de techo y coloque el bucle abierto del cable trenzado alrededor del tornillo de soporte secundario. **Nota:** Es posible que no se pueda acceder al soporte de techo desde abajo. Si no es así, se debe acceder desde arriba. **Importante:** el cable trenzado debe formar un círculo completo alrededor del soporte para asegurar el ventilador (Figura 4.2).
3. Apriete el tornillo del soporte secundario para asegurar el cable trenzado (Figura 4.3).

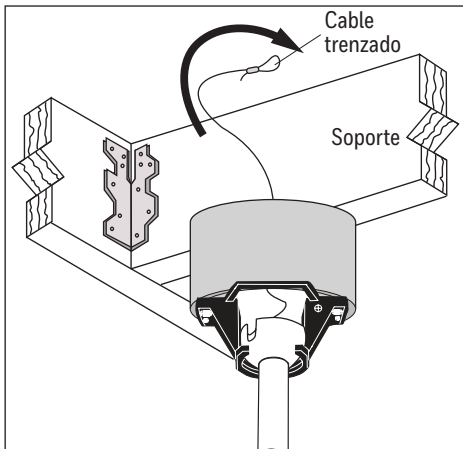


Figura 4.1

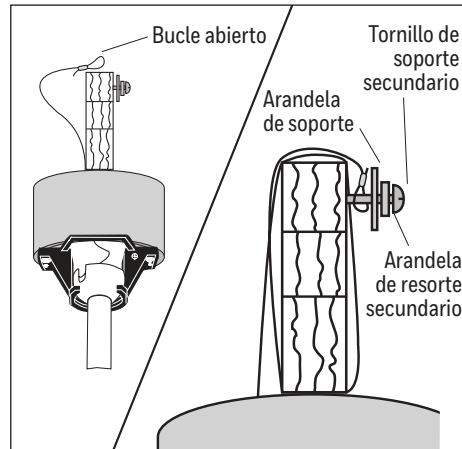


Figura 4.2

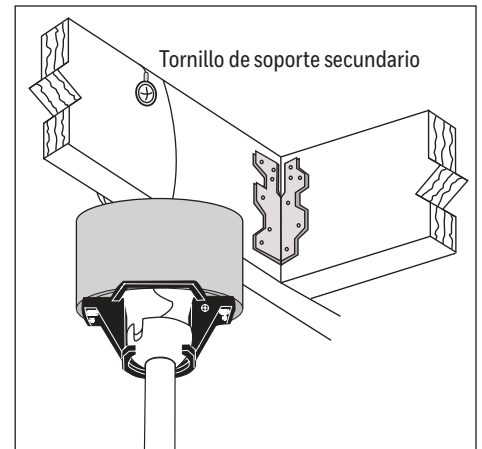


Figura 4.3

## INSTALACIÓN FINAL

1. Realice las siguientes conexiones de cables según el diagrama y estos pasos:

- Utilice el conector de alambres de la bolsa de aditamentos para conectar los conductores verdes de la varilla y del soporte de montaje al conductor del suministro desnudo/verde (de puesta a tierra).
- Levante la palanca y empuje el conductor del suministro blanco (neutral) dentro del orificio vacío del conector de alambres preensamblado al conductor blanco del receptor y baje la palanca para asegurar el conductor.
- Levante la palanca y empuje el conductor del suministro negro (con corriente) dentro del orificio vacío del conector de alambres preensamblado al conductor rojo del receptor y baje la palanca para asegurar el conductor.
- Conecte los conectores de clavija del receptor a las conexiones de clavija del ventilador: 3 clavijas a 3 clavijas y 2 clavijas a 2 clavijas.

**Importante:** si los conductores del suministro domésticos tienen colores diferentes a los que se mencionaron anteriormente, un electricista profesional debe determinar el cableado correcto. **ADVERTENCIA:** una vez que haya realizado todas las conexiones, gire los cables conectados hacia arriba y colóquelos cuidadosamente dentro de la caja de salida. Coloque las conexiones de los conductores negros y blancos en lados opuestos de la caja de salida.

2. Alinee la base sobre los tornillos flojos del soporte de montaje preensamblados en el soporte de montaje. Coloque los orificios con forma de cerradura de la base en los tornillos del soporte de montaje y gire la base en dirección de las manecillas del reloj (Figura 5.2).

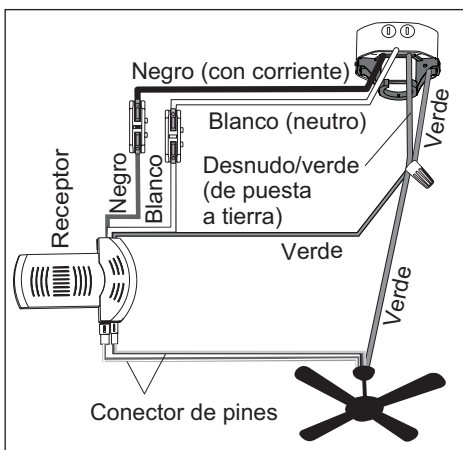


Figura 5.1

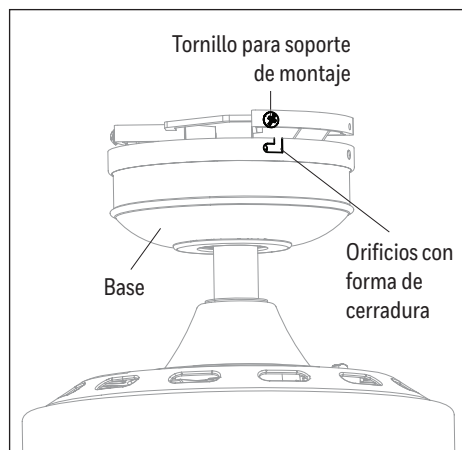


Figura 5.2

## INSTALACIÓN FINAL

3. Asegure la base con los tornillos del soporte de montaje que retiró previamente. Apriete bien todos los tornillos del soporte de montaje (Figura 5.3).
4. Coloque parcialmente los tres tornillos del aspa junto con las arandelas a través del aspa, del brazo del aspa y en el medallón. Apriete cada uno de los tornillos del aspa, comenzando por el que está en el centro. Repita este paso para las aspas restantes. Nota: asegúrese de que el borde cóncavo del medallón esté paralelo al borde cóncavo de la hoja (Figura 5.4).
5. Instale el brazo del aspa en el lado inferior del ensamblaje del motor, usando los tornillos del motor que retiró previamente. Asegurar completamente cada brazo para las aspas antes de proceder con el siguiente (Figura 5.5).
6. Retire uno de los tres tornillos de la placa de soporte preensamblados a la placa y afloje los otros dos sin retirarlos. Pase el conector de clavija simple a través del orificio central en la bandeja de luz. Alinee los chaveteros de la bandeja de luz con los tornillos sueltos de la placa de soporte. Gire el bandeja de luz en dirección de las manecillas del reloj y vuelva a colocar el tornillo de la placa de soporte que se retiró anteriormente. Apriete todos los tornillos (Figura 5.6).
7. Retire los cuatros tornillos de la bandeja de luz preensamblados a la bandeja de luz. Luego, conecte el conector de clavija simple del ventilador al conector de clavija simple del kit de iluminación: azul a negro y blanco a blanco. Fije el kit de iluminación a la bandeja de luz con los tornillos de la bandeja de luz (Figura 5.7).
8. El paquete remoto viene equipado con un soporte de pared. Si desea instalar el soporte de pared, retire la placa pequeña para dejar al descubierto los orificios para tornillos. Inserte los tornillos de soporte de pared para el soporte de pared por los orificios y en la pared, y luego cubra con la placa pequeña que retiró previamente. Se puede guardar el control remoto en el soporte de pared para un fácil acceso (Figura 5.8).

Encienda el suministro de electricidad del ventilador a la caja del interruptor de circuito y interruptor de pared. El ensamblaje está listo.



Figura 5.3

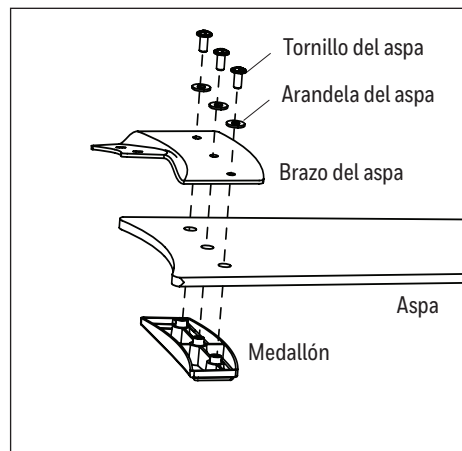


Figura 5.4

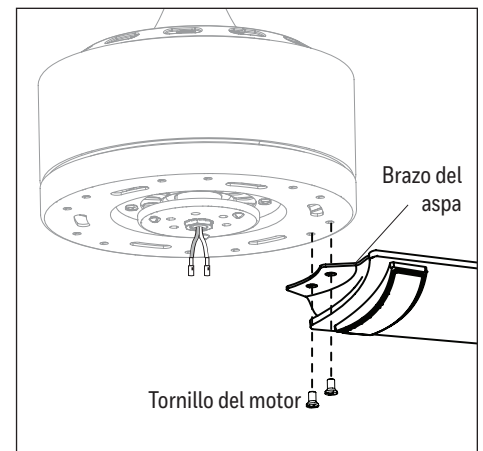


Figura 5.5

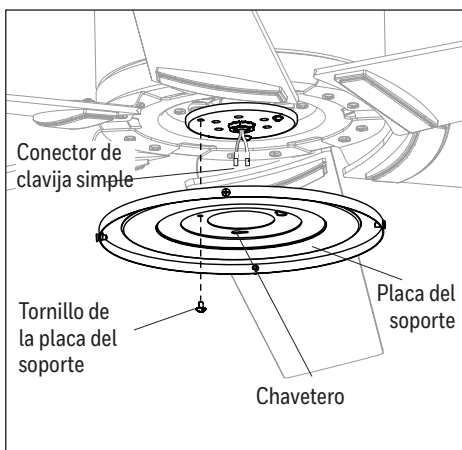


Figura 5.6

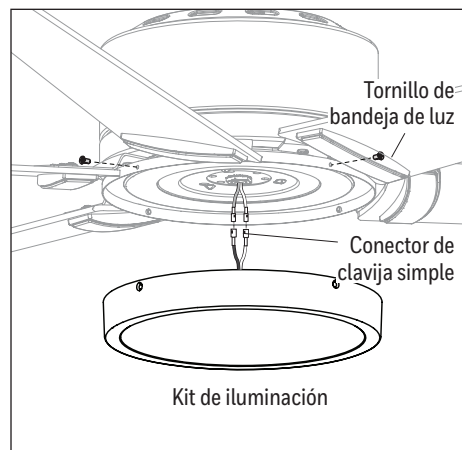


Figura 5.7

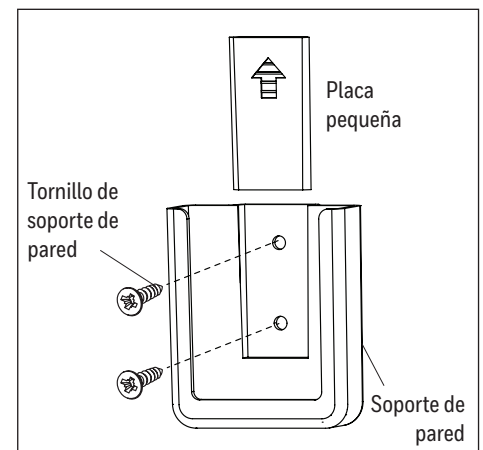


Figura 5.8


## INSTRUCCIONES DE FUNCIONAMIENTO

1. Use un destornillador de cabeza plana, si es necesario, para retirar la cubierta de la batería en la parte posterior del control remoto del paquete de control remoto. Inserte la batería en el control remoto; asegúrese de que la polaridad de la batería coincida con la polaridad indicada en el compartimiento para esta: positivo (+) con positivo (+) y negativo (-) con negativo (-). Vuelva a colocar la contratapa y presione el botón de encendido del ventilador en el control remoto para asegurarse de que se encienda el indicador LED y que el control remoto encienda el ventilador (Figura 6.1).

2. Para controlar el ventilador con el control remoto, presione y suelte los siguientes botones (Figura 6.2):

- **Indicador LED:** indica las tres velocidades del ventilador. debe iluminarse al presionar cualquier botón. De no ser así, reemplace las baterías de 1.5 V, AAA.

 **El botón de Alimentación del ventilador tiene tres opciones:**

 Apaga el ventilador o enciende el ventilador en la velocidad previamente seleccionada.


 Aumenta la velocidad del ventilador.


 Reduce la velocidad del ventilador.


**2hr Temporizador de apagado automático:** apaga el ventilador después de 2 horas (2hr). Presione el botón ventilador alimentación para desactivar.


**4hr Temporizador de apagado automático:** apaga el ventilador después de 4 horas (4hr). Presione el botón ventilador alimentación para desactivar.


**8hr Temporizador de apagado automático:** apaga el ventilador después de 8 horas (8hr). Presione el botón ventilador alimentación para desactivar.


 **Interruptor de reversa - Cuando el clima sea más cálido,** mueva el interruptor de reversa hacia izquierda para crear un flujo de aire descendente y lograr un efecto de viento refrescante. **Cuando el clima sea más frío,** mueva el interruptor de reversa hacia derecha para crear un flujo de aire ascendente y ayudar mover el aire caliente estancado del área del techo. **Importante:** espere que el ventilador se detenga antes de mover el interruptor de reversa que se encuentra en el kit de iluminación. El interruptor de reversa se debe mover completamente hacia la izquierda o completamente hacia la derecha para que el ventilador funcione correctamente. Si el interruptor de reversa se configura en la posición del medio, el ventilador no funcionará.

 **Luz con retardo:** demora el apagado de la luz durante un minuto, lo cual permite salir en forma segura de la habitación. La luz parpadea para confirmar que la función está activa. Presione el botón de control de la luz para desactivar y apagar la luz.

 **Home Shield™:** simula la ocupación mientras está fuera de casa. El ventilador permanece apagado y la luz se enciende aleatoriamente durante un mínimo de cinco minutos y un máximo de 20 minutos. La luz permanece apagada durante 60 minutos entre eventos. Mantenga presionado el botón para activar. La luz parpadeará para confirmar que Home Shield está activo. Presione cualquier botón para cancelar.

 **Brisa variable:** imita una brisa natural, como si estuviera al aire libre. Presione cualquier botón de velocidad para salir de este modo.

 **Control de luz:** presione el botón para encender y apagar la luz. Mantenga presionado el botón para regular la intensidad de las luces.

 **Color de la luz:** mantenga presionado el botón para alternar entre las temperaturas de color que varían de 2200K (blanco cálido) a 6500K (luz de día).

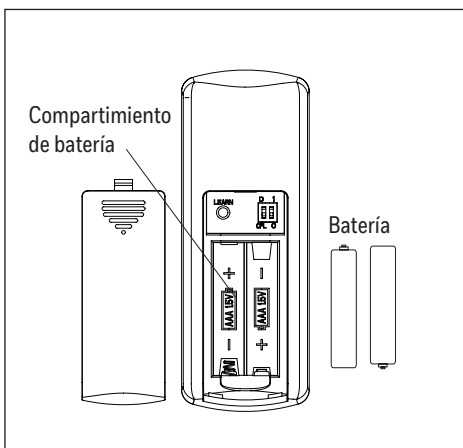


Figure 6.1

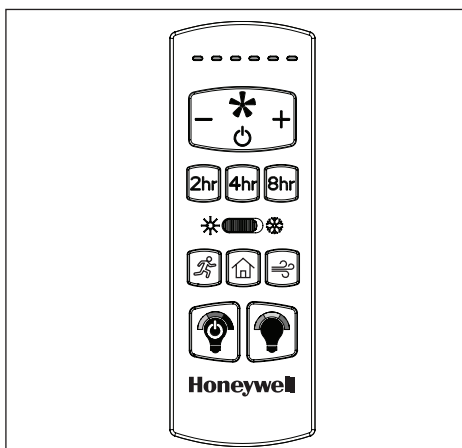


Figure 6.2

## SOLUCIÓN DE PROBLEMAS

Si experimenta alguna falla, verifique la sección Solución de problemas a continuación. Si el problema no se puede solucionar o experimenta dificultades en la instalación, póngase en contacto con el Departamento de Servicio: 1-877-361-3883, de 8 a. m. a 5 p. m. hora central, de lunes a viernes.

**ADVERTENCIA:** antes de realizar cualquier trabajo de mantenimiento, desconecte el suministro de electricidad principal.

### PROBLEMA

El ventilador no se mueve.	<ol style="list-style-type: none"><li>1. Mueva firmemente el interruptor de reversa completamente hacia la izquierda o hacia la derecha.</li><li>2. Asegúrese de que el interruptor de pared esté encendido.</li><li>3. Encienda el suministro eléctrico o revise el fusible (interruptor).</li><li>4. Desactive la alimentación eléctrica y revise todas las conexiones de la caja de salida del techo.</li></ol>
El ventilador hace ruido.	<ol style="list-style-type: none"><li>1. Revise y apriete todos los tornillos que sostienen las aspas del ventilador en los brazos de las aspas y en el motor.</li><li>2. Reemplace el aspa partida.</li><li>3. No use un regulador de intensidad de rango completo para controlar la velocidad del ventilador.</li><li>4. Verifique que la caja de salida esté asegurada a la estructura del edificio.</li><li>5. Asegúrese de que el soporte de montaje esté fijo en la caja de salida y que los tornillos estén apretados.</li></ol>
Hay un tambaleo excesivo.	<ol style="list-style-type: none"><li>1. Revise y apriete todos los tornillos que sostienen las aspas del ventilador en los brazos de las aspas y los brazos de las aspas en el motor.</li><li>2. Intercambie un aspa con otra del lado opuesto. O bien, equilibre el ventilador mediante el kit de equilibrio de aspas.</li><li>3. Desconecte el suministro de electricidad. Afloje la base y verifique que el soporte de montaje esté sujeto a la caja de salida eléctrica. El soporte debe estar al ras de la caja de salida y no debe moverse.</li><li>4. Utilice una varilla más larga o mueva el ventilador a otra ubicación.</li><li>5. Levante la cubierta de horquilla y apriete el tornillo de ajuste en la horquilla hasta que quede firme.</li></ol>
El ventilador funciona correctamente, pero las luces no funcionan.	<ol style="list-style-type: none"><li>1. Asegúrese de que los conectores de clavija simple en el kit de iluminación estén conectados correctamente.</li><li>2. Desactive la alimentación eléctrica y revise todas las conexiones de la caja de salida del techo.</li></ol>
El control remoto no funciona.	<ol style="list-style-type: none"><li>1. Instrucciones de sincronización: desconecte el suministro de electricidad hacia el ventilador y vuelva a conectarlo. Dentro de los 30 segundos, mantenga presionados los botones Velocidad alta y Velocidad baja (o el botón "LEARN" [Aprender] ubicado en el compartimiento de la batería) durante 3 segundos. El ventilador se encenderá cuando esté en velocidad alta y la luz parpadeará dos veces y permanecerá encendida, lo que indicará que la sincronización se realizó con éxito.</li><li>2. Inserte las baterías nuevas AAA en el compartimiento de la batería del control remoto.</li><li>3. Si hay varios ventiladores en la cercanía, apague los otros ventiladores y vuelva a sincronizar el control remoto.</li></ol>

## GARANTÍA LIMITADA DE POR VIDA

A continuación, el fabricante, Hong Kong China Electric Appliance Company (HKC) garantiza que el motor de ventilador de este ventilador de techo se encuentra libre de defectos de fabricación y material durante la vida útil de este producto. Además, conforme a las limitaciones establecidas a continuación, HKC también garantiza que todas las piezas de este ventilador de techo (las “piezas del ventilador de techo” no incluyen el motor ni las piezas hechas total o parcialmente de vidrio) se encuentran libres de defectos de fabricación y material durante el periodo de un año siguiente a la fecha de compra del comprador minorista original.

El comprador original es quien debe realizar todas las reclamaciones, ya sea que haya adquirido el producto a través de una tienda o por medio de un contratista. Los defectos de las piezas del ventilador de techo deberán informarse dentro del primer año a partir de la fecha de compra. Las piezas hechas total o parcialmente de vidrio y los acabados metálicos y otras superficies no tienen garantía.

Los compradores son responsables de los costos de extracción y reinstalación del producto. Los daños de cualquier pieza que resulten del desgaste o del deterioro normales, de accidentes, del uso inapropiado o de errores de instalación no cuentan con la cobertura de esta garantía. HKC no asume ninguna responsabilidad por la instalación del ventilador. Los servicios proporcionados por electricistas no autorizados invalidarán la garantía.

La única responsabilidad de HKC consiste en reparar o reemplazar el motor, las piezas o los productos conforme a los términos indicados anteriormente. HKC no asume ninguna responsabilidad por las pérdidas o los daños de ningún tipo, incluidos los daños accidentales o resultantes que sean la consecuencia directa o indirecta de cualquier incumplimiento de la garantía, ya sean explícitos o implícitos, o de cualquier otra falla de este producto. Algunos estados no permiten las exclusiones o limitaciones de daños accidentales o resultantes, de modo que esta limitación podría no aplicarse a su caso.

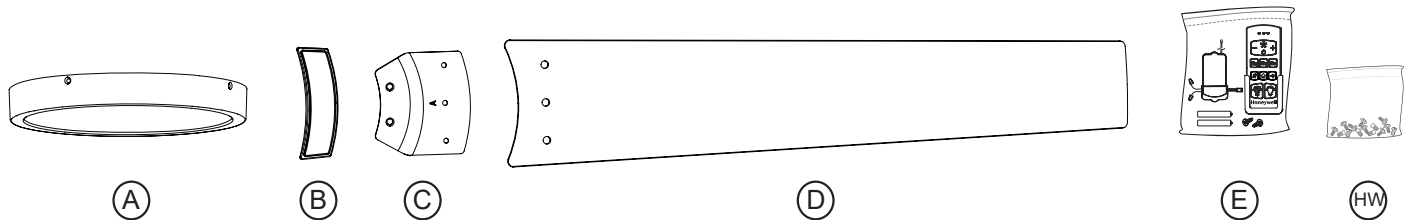
Si el comprador original deja de ser el propietario del ventilador, la garantía se anula.

Si el comprador detecta un problema en el ventilador relacionado con defectos de fabricación o material dentro del periodo de garantía asociado a la pieza defectuosa, HKC acepta reemplazar la pieza defectuosa sin cargo o, como alternativa, reemplazar el ventilador de techo por uno de un modelo similar o superior.

Las garantías de HKC se encuentran sujetas a las limitaciones de las garantías escritas que se establecen en esta garantía limitada de por vida para los ventiladores de techo de HKC. Se rechazan todas las demás garantías implícitas y explícitas, incluidas, entre otras, la garantía implícita de idoneidad para un fin particular y la garantía implícita de comercialización. Algunos estados no permiten el rechazo de las garantías implícitas, de modo que este rechazo podría no aplicarse a su caso.

## LISTA DE PIEZAS DE REPUESTO

Para obtener piezas de repuesto, llame a nuestro Departamento de Servicio al Cliente al 1-877-361-3883 de lunes a viernes, de 8 a.m. a 5 p.m., hora estándar central.



53041

A	Kit de iluminación	4A000021930
B	Medallón (x6)	4A073540007
C	Brazo del aspa (x6)	4A074510002
D	Aspa (x6)	4A086940001
E	Paquete remoto	4A000030550
HW	Bolsa de aditamentos	4A000030480

La marca Honeywell opera bajo la licencia de Honeywell International Inc.

Honeywell International Inc. No representa o establece las garantías respecto a este producto.

Este producto es manufacturado por **Hong Kong China Electric Appliance, LTD.**

3350 Players Club Parkway, Suite 225

Memphis, TN 38125

1 (877) 361-3883

10239 • 032525