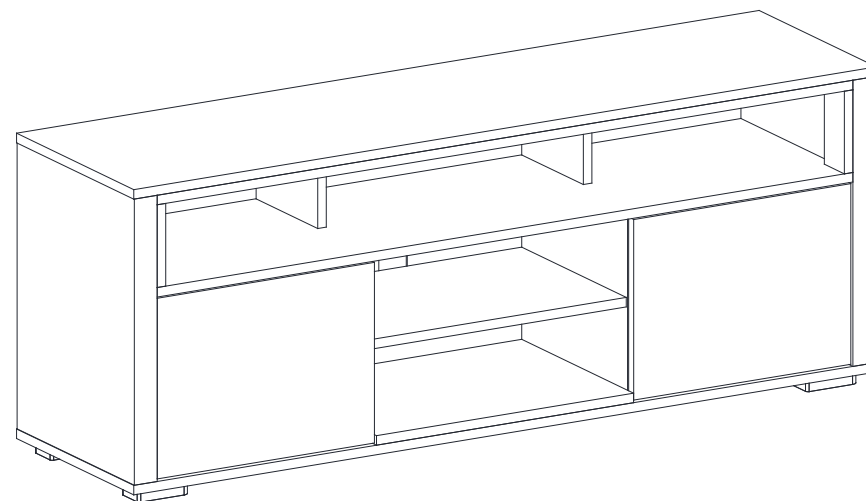


SGSHK-V1

FTLFTS-6011

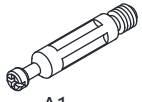


TV STAND

Notice:

1. Follow the installation instructions. Please confirm all accessories are preset before installation.
2. Do not fully tighten the screws during initial assembly. Fully tighten screws only once all pieces which are correctly assembled.
3. If you encounter any problems during installation, refer to two solutions: Follow the installation video tutorial on the Amazon product page or contact our customer service.

Hardware

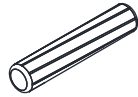


A1



A2

A x (32+4)sets



8 x 40 MM

B x (24+3)pcs



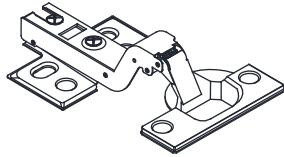
3.5 x 14 MM

C x (36+4)pcs

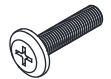


4 x 25 MM

D x (10+1)pcs

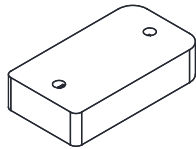


E x 4pcs



M6 x 25 MM

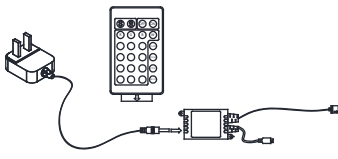
F x 6pcs



G x 5pcs



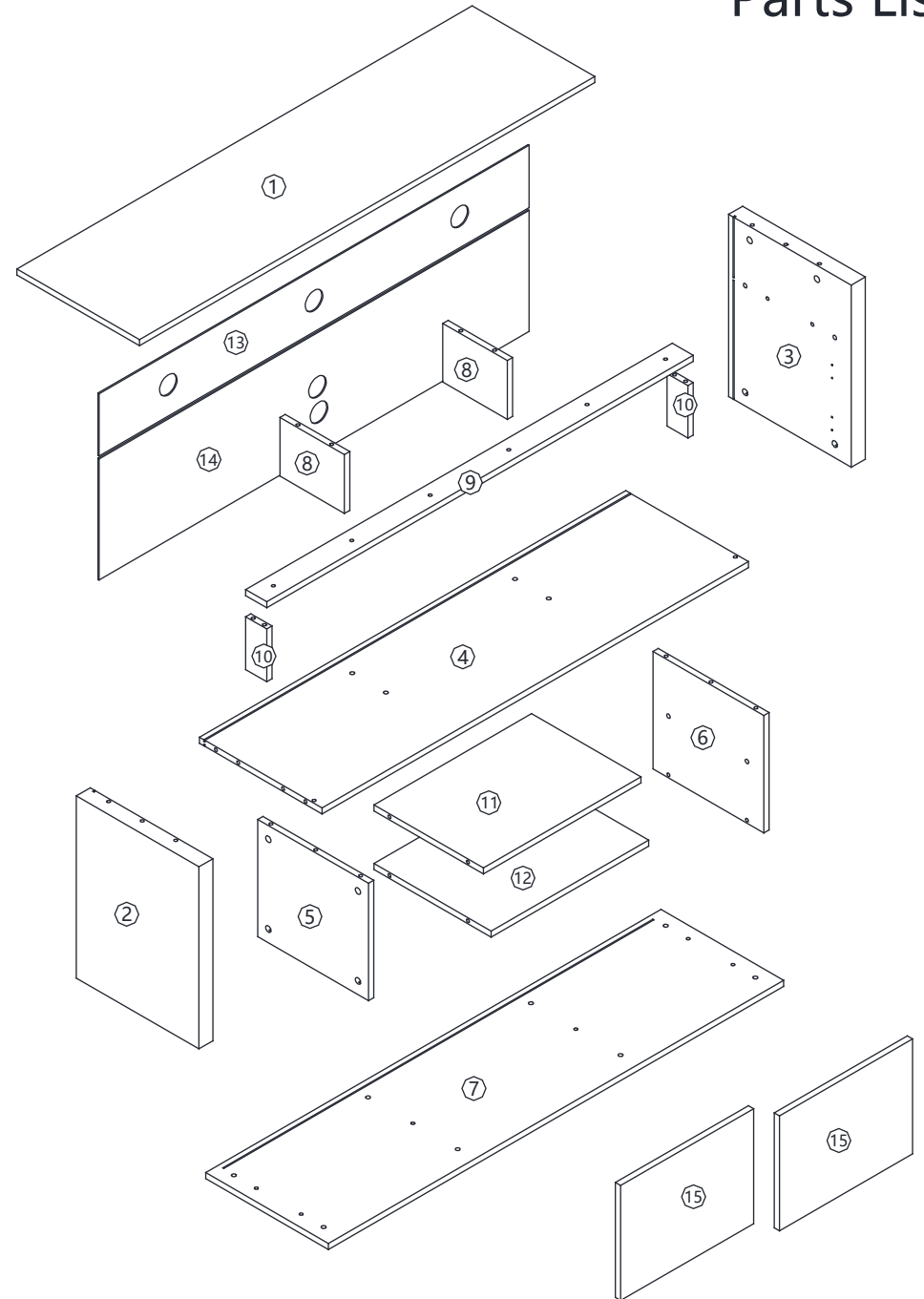
H x (12+2)pcs



J x 1set

Provided by the customer,
not included in the hardware
accessory list

Parts List

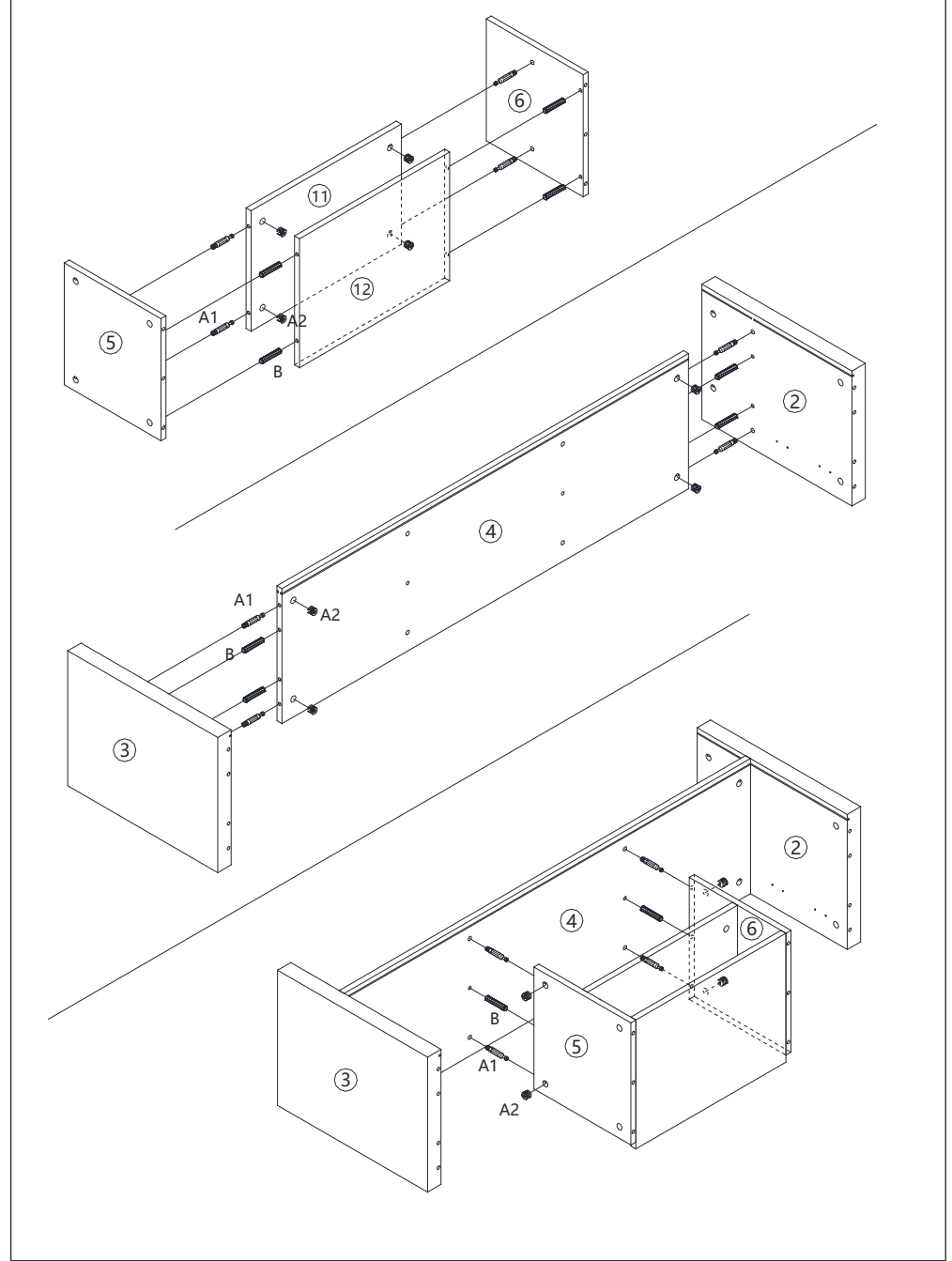


Parts List

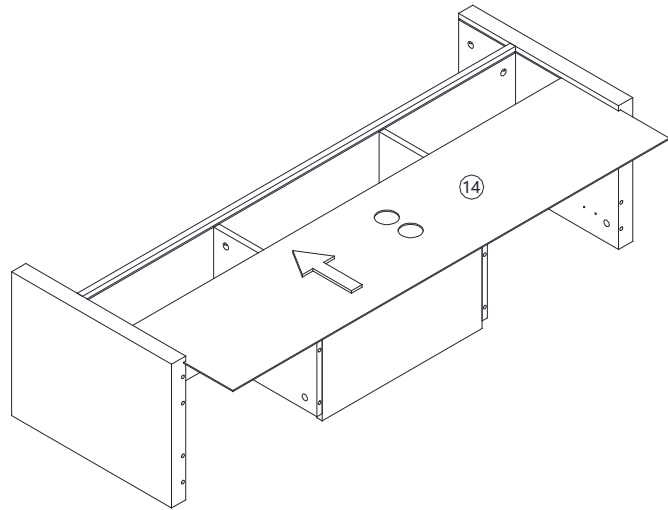
<p>①</p> <p>1300x350x15mm=1pc</p>	<p>②</p> <p>450x350x40mm=1pc</p>	<p>③</p> <p>450x350x40mm=1pc</p>
<p>④</p> <p>1218x350x15mm=1pc</p>	<p>⑤</p> <p>316x290x15mm=1pc</p>	<p>⑥</p> <p>316x290x15mm=1pc</p>
<p>⑦</p> <p>1300x350x15mm=1pc</p>	<p>⑧</p> <p>184x145x15mm=2pcs</p>	<p>⑨</p> <p>1218x60x15mm=1pc</p>
<p>⑩</p> <p>130x60x15mm=2pcs</p>	<p>⑪</p> <p>450x312x15mm=1pc</p>	<p>⑫</p> <p>450x334x15mm=1pc</p>
<p>⑬</p> <p>1228x154x3mm=1pc</p>	<p>⑭</p> <p>1228x299x3mm=1pc</p>	<p>⑮</p> <p>380x284x15mm=2pcs</p>

Step 1

A x 12 B x 10

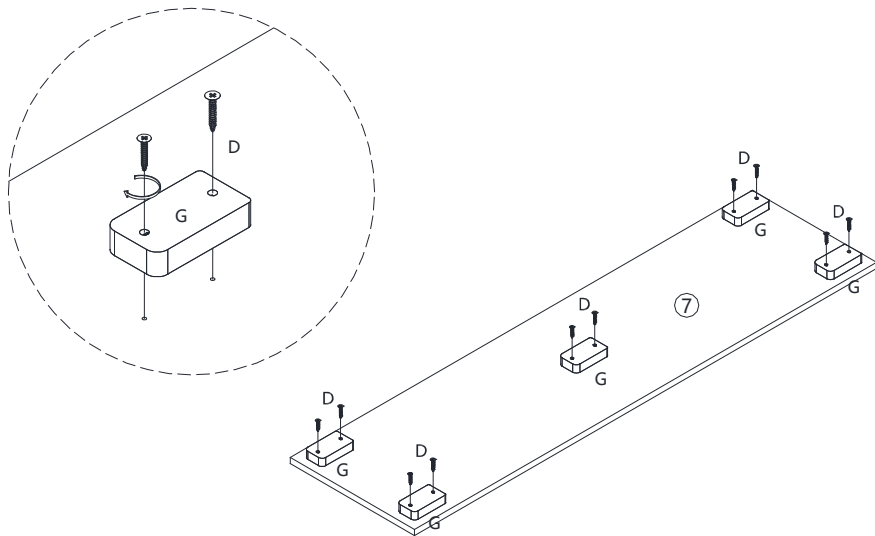


Step 2



Step 3

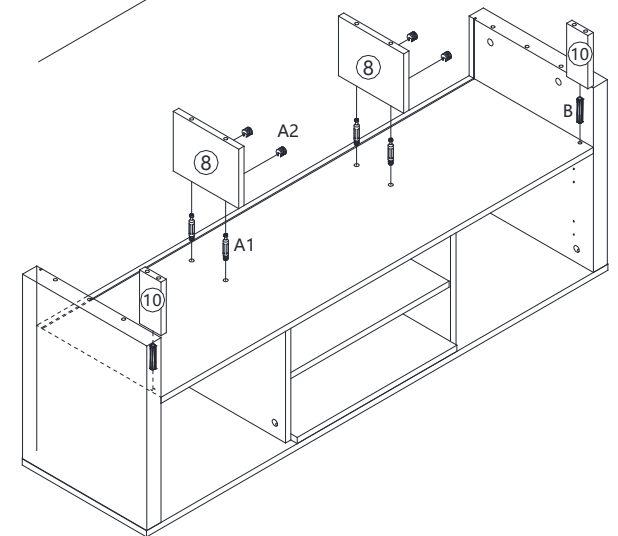
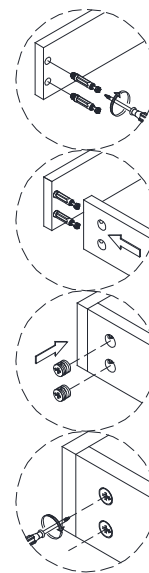
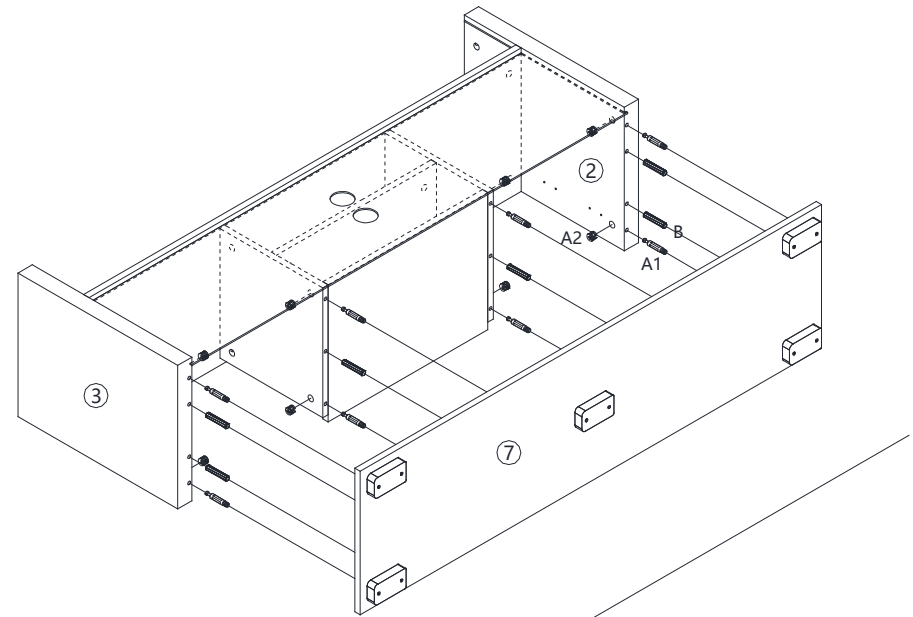
D x 10 G x 5



5

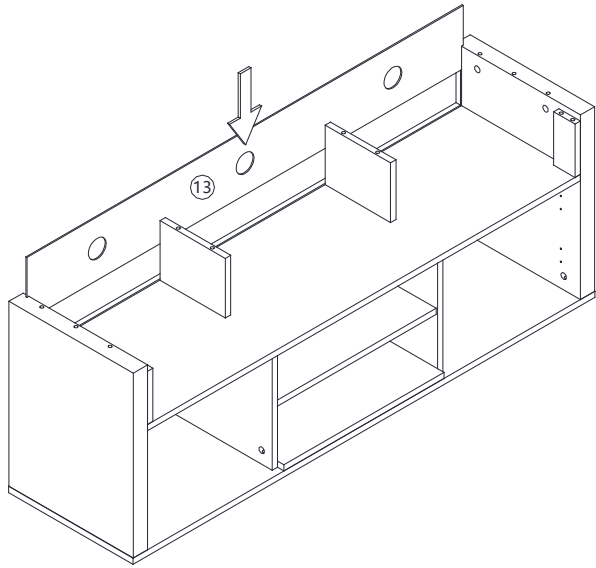
Step 4

A x 12 B x 8



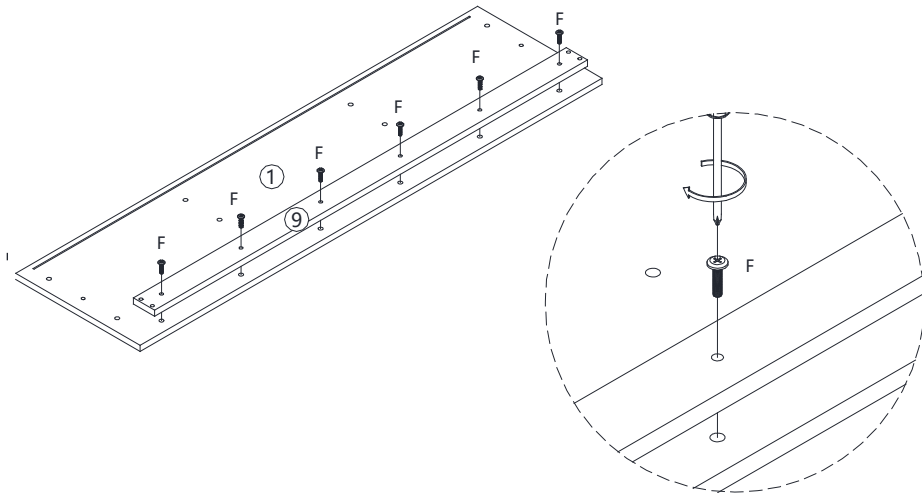
6

Step 5



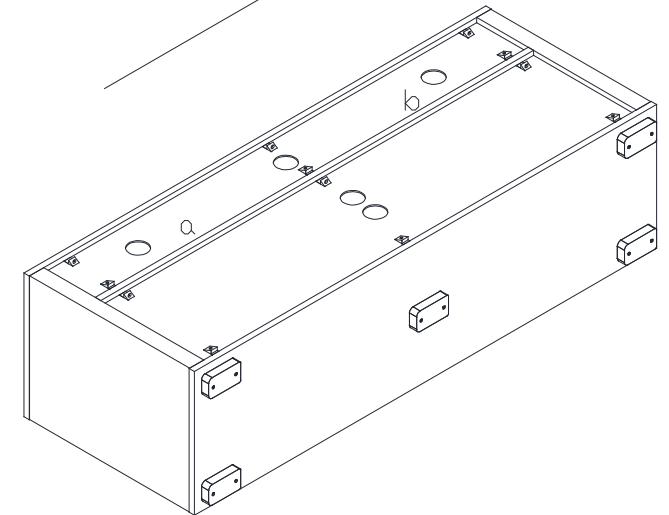
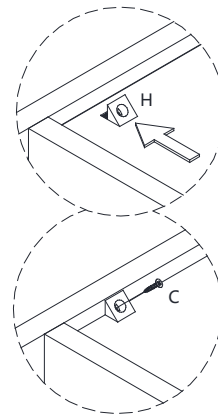
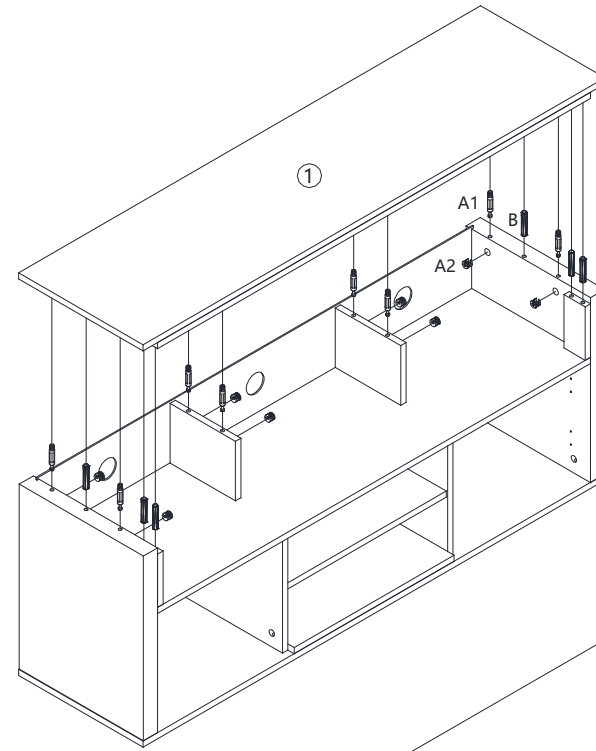
Step 6

F x 6



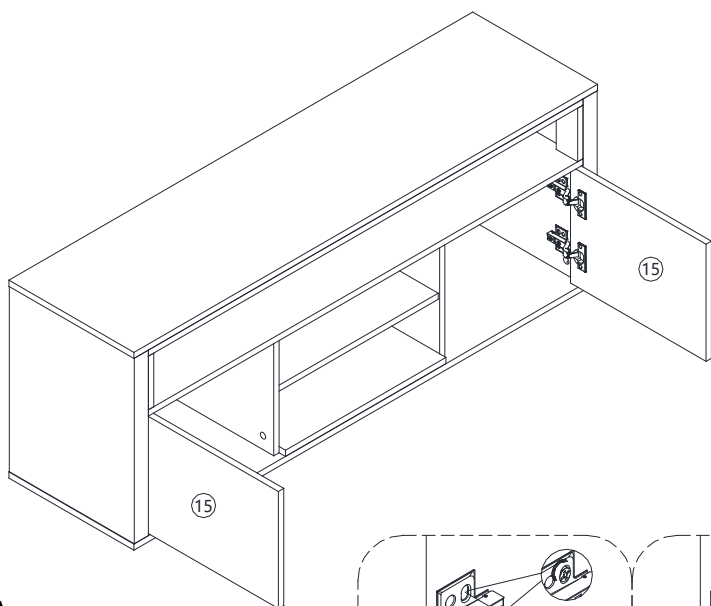
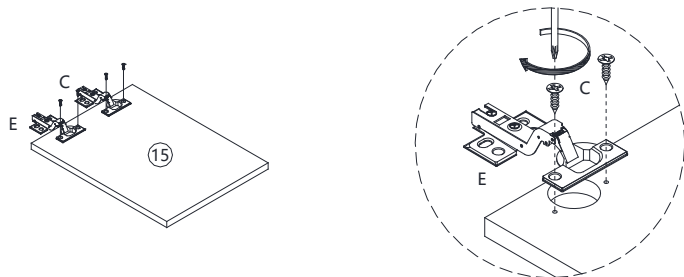
Step 7

A x 8 B x 6 C x 12 H x 12



Step 8

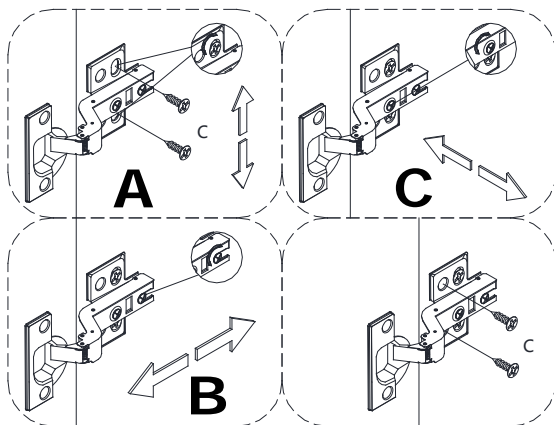
C x 24 E x 4



A Adjust this screw to adjust the distance between the upper and down parts of the door panel,

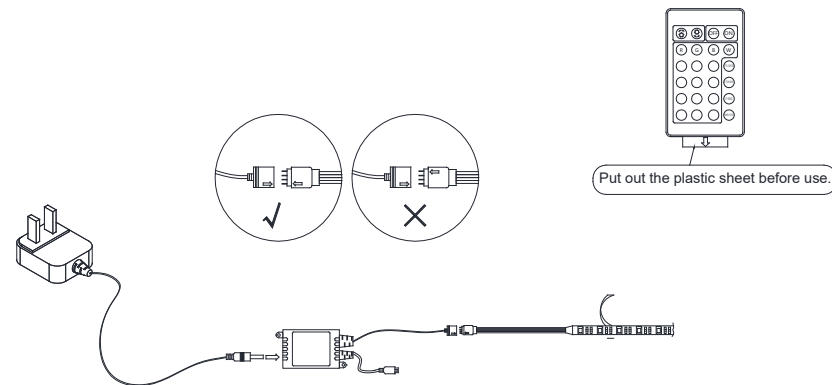
B Adjust this screw to adjust the left and right distance of the door panel.

C Adjust this screw to adjust the longitudinal separation of the door panel.

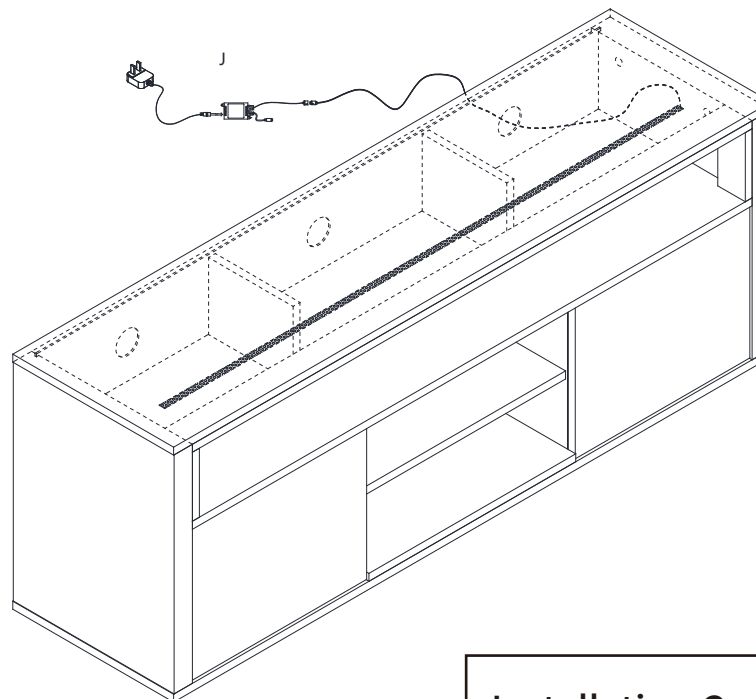


Step 9

J x 1



Tear off the adhesive on the back of the LED light strip and stick it to the bottom of the top plate



Installation Completed