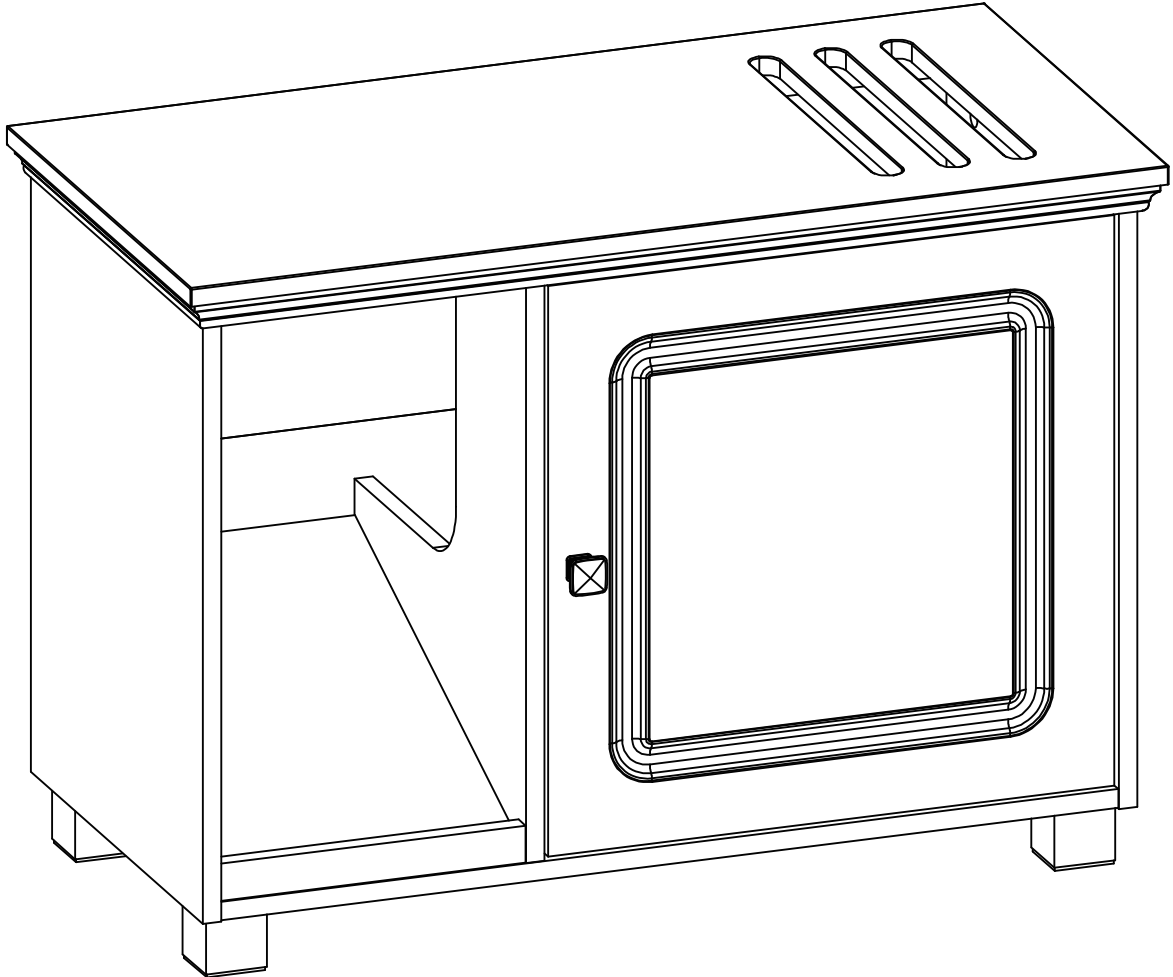


KB-CW-001-V1
Cat Washroom

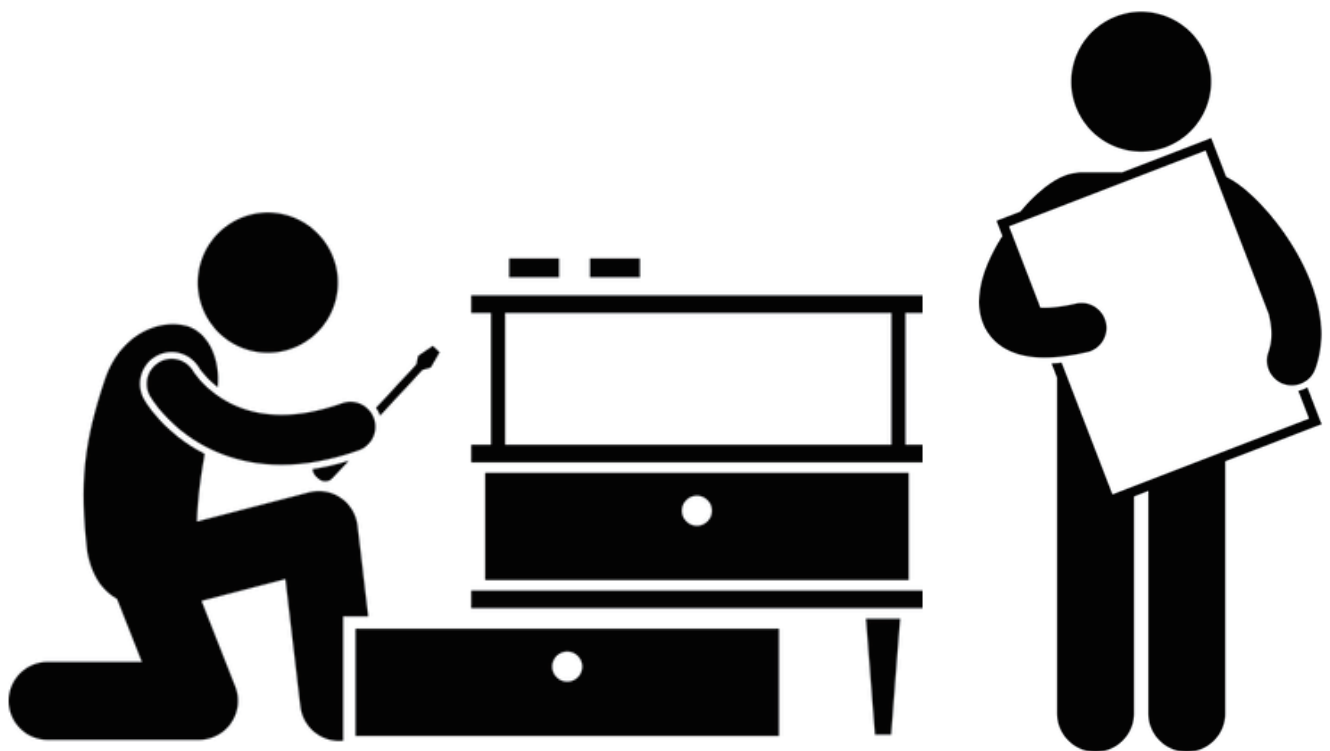


ASSEMBLY INSTRUCTION

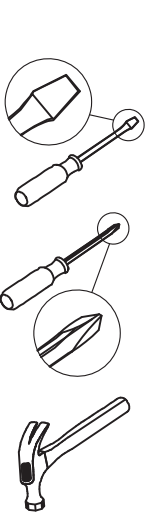
ADULT ASSEMBLY REQUIRED

**THE PRODUCT MAY RECOMMENDED
ASSEMBLING BY MORE THAN ONE
PERSON.**

**PLEASE ASK FOR ASSISTANCE AT YOUR
CONVENIENCE BEFORE ASSEMBLING.**



Before You Start



Read through each step carefully and follow the proper order

Separate and count all your parts and hardware

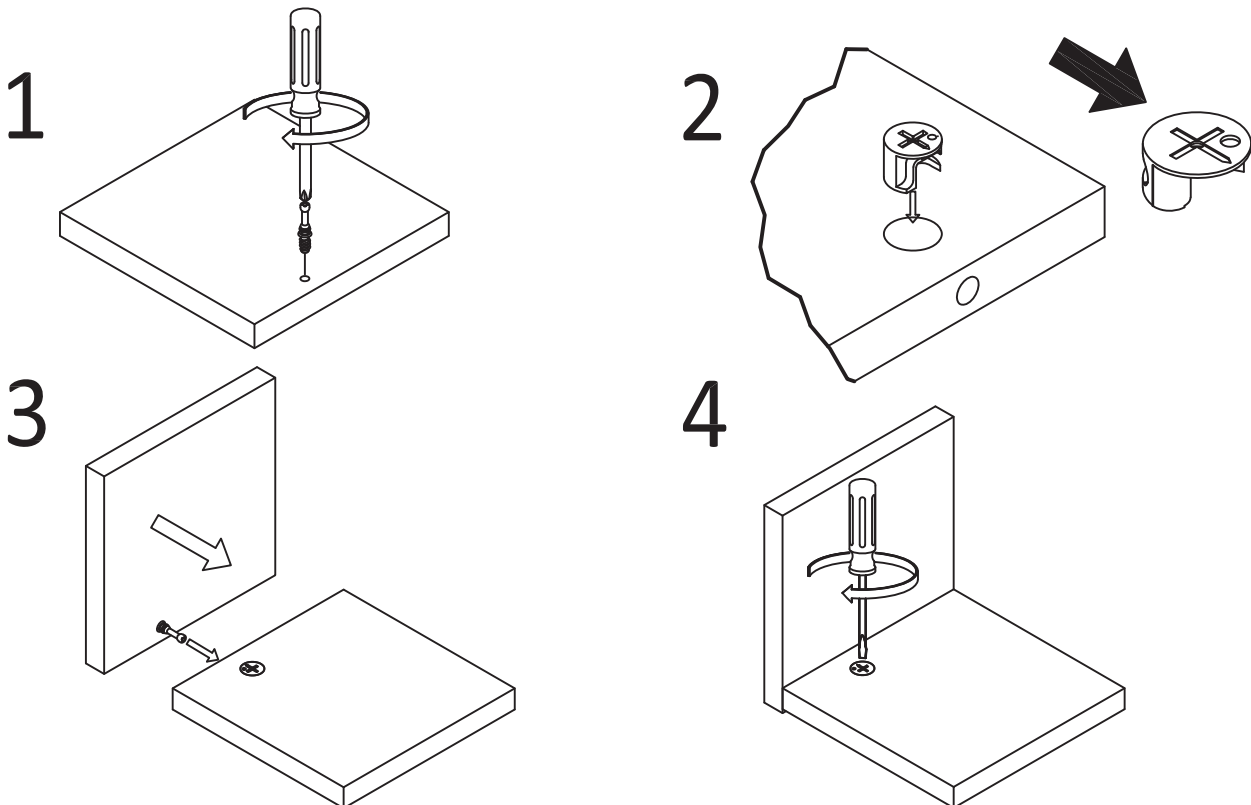
Give yourself enough room for the assembly process

Have the following tools: Flat Head Screwdriver, #2 Phillips Head Screwdriver and Hammer

Caution: If using a power drill or power screwdriver for screwing, please be aware to slow down and stop when screw is tight. Failure to do so may result in stripping the screw.

Cam Lock Fastening System

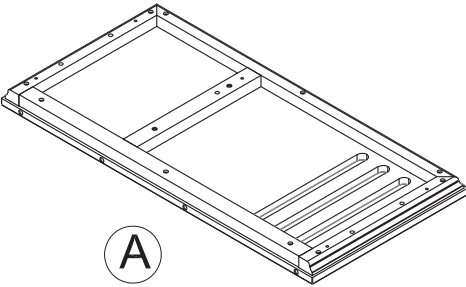
This Cam Lock Fastening System will be used throughout the assembly process.



Parts Identification

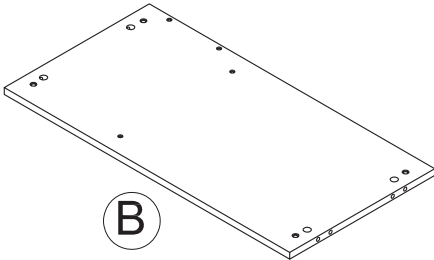


Parts Identification



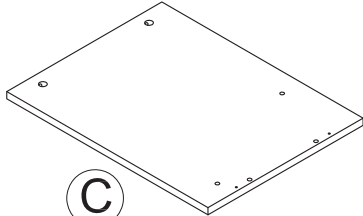
A

TOP



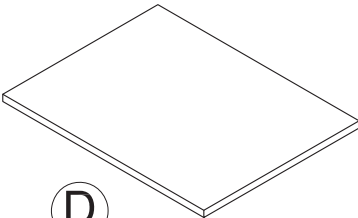
B

BOTTOM



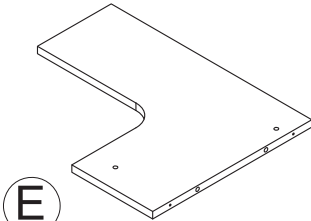
C

LEFT



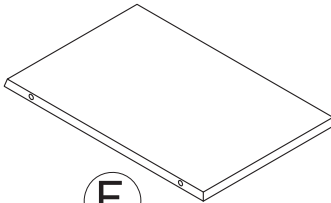
D

RIGHT



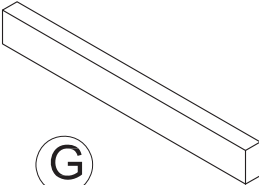
E

MID-VERTICAL SHELF



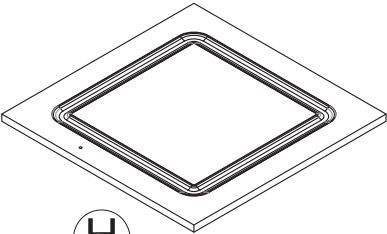
F

SHELF



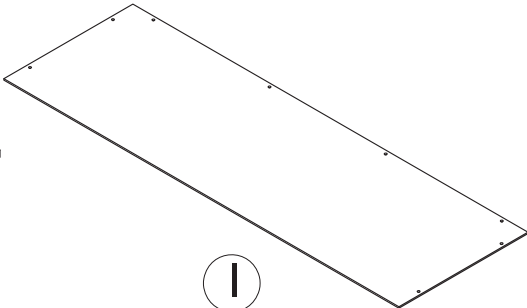
G

FRONT DECOR



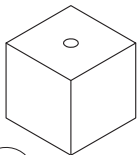
H

DOOR



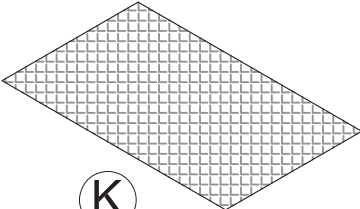
I

BACK PANEL



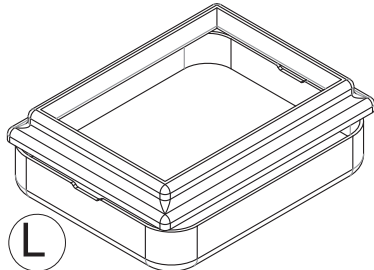
J

LEFT x 4



K

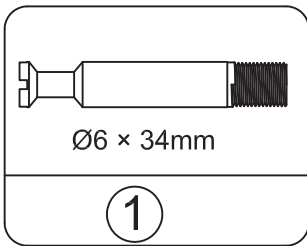
ANTISKID PAD



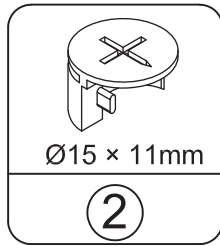
L

CAT LITTER BOX

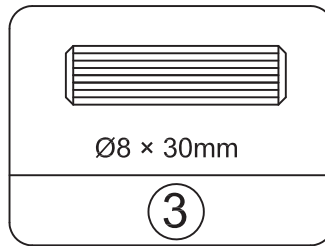
Hardware Identification



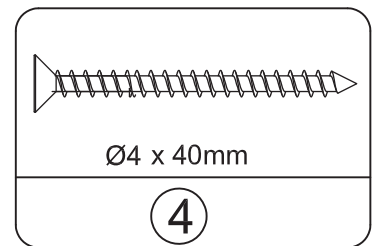
CAM SCREW
QTY: 9+1 spare



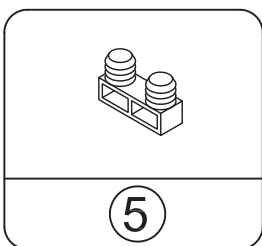
CAM LOCK NUT
QTY: 9+1 spare



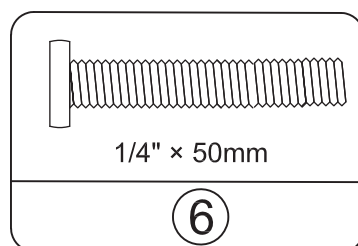
WOOD DOWEL
QTY: 16+1 spare



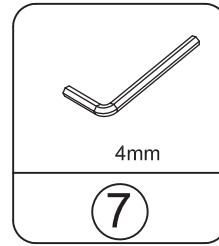
SCREW
QTY: 2+1 spare



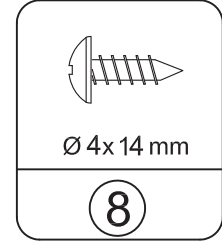
PLASTIC HOLDER
QTY: 1



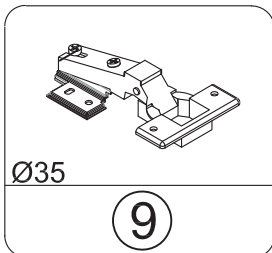
BOLT
QTY: 4+1 spare



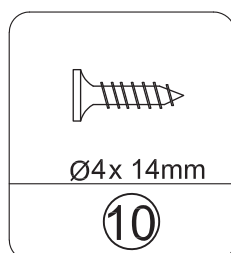
HEX KEY
QTY: 1



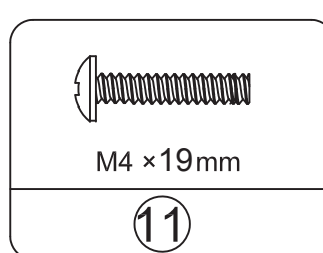
SCREW
QTY: 16+1 spare



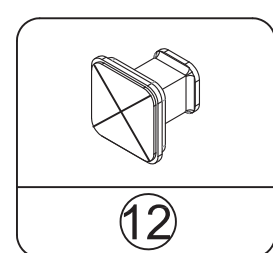
EUROPE HINGE
QTY: 2



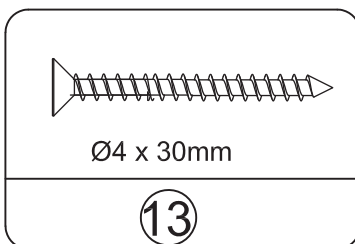
SCREW
QTY: 12+1 spare



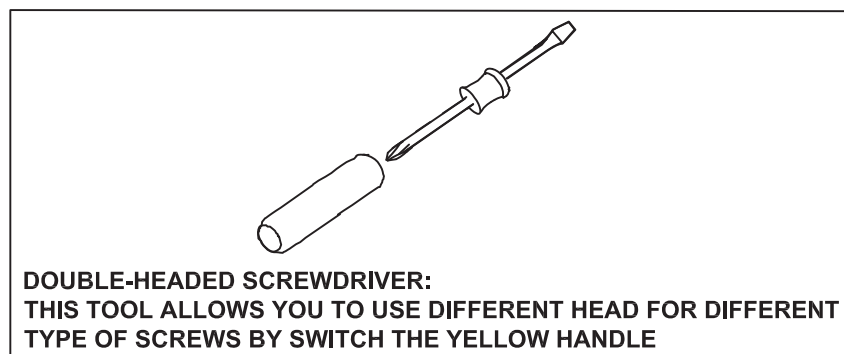
BOLT
QTY: 1+1 spare



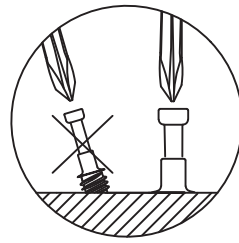
KNOB
QTY: 1



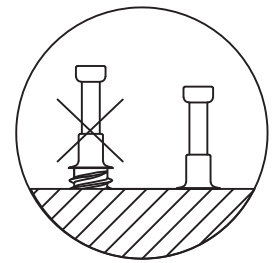
SCREW
QTY: 2+1 spare



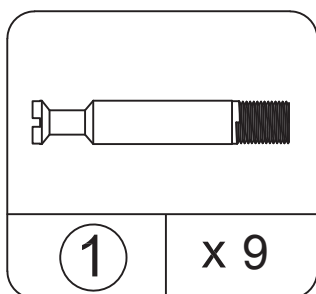
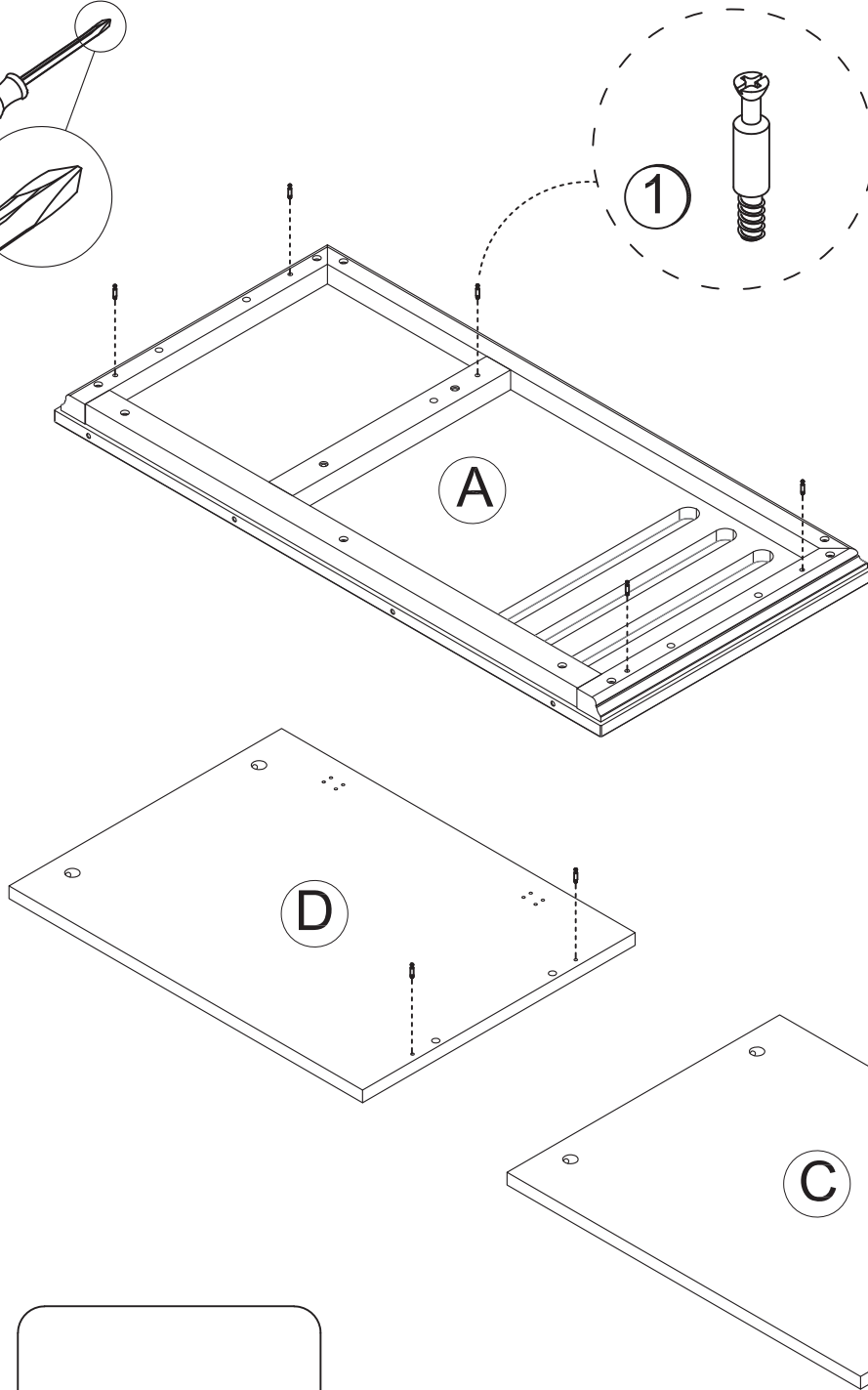
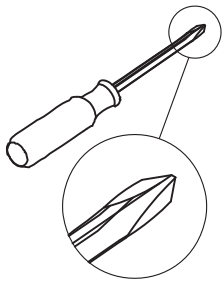
Step 1



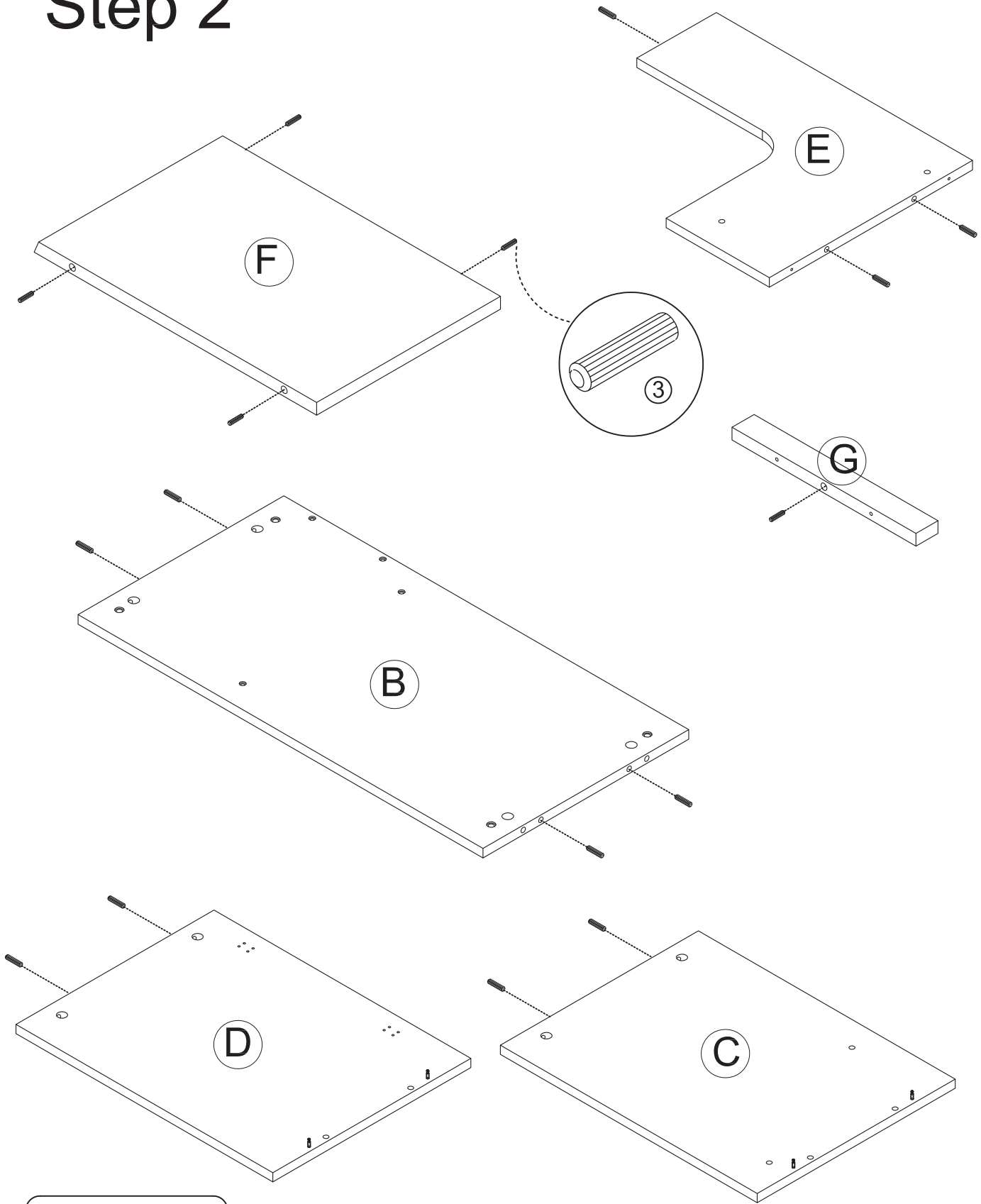
Assemble screws (part#1) vertically




Make sure screws are locked up evenly on board

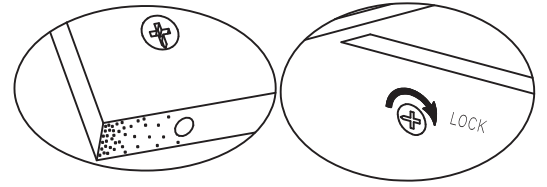


Step 2

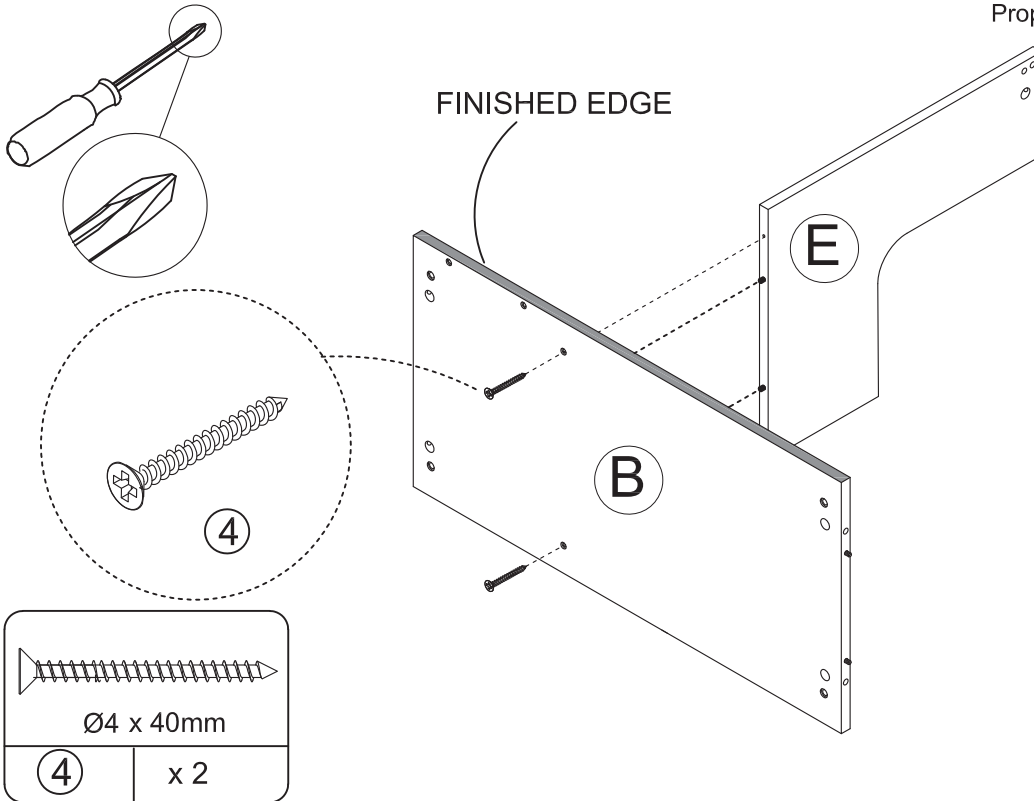


	
Ø8 x 30mm	
3	x 16

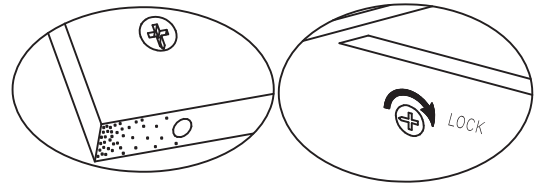
Step 3



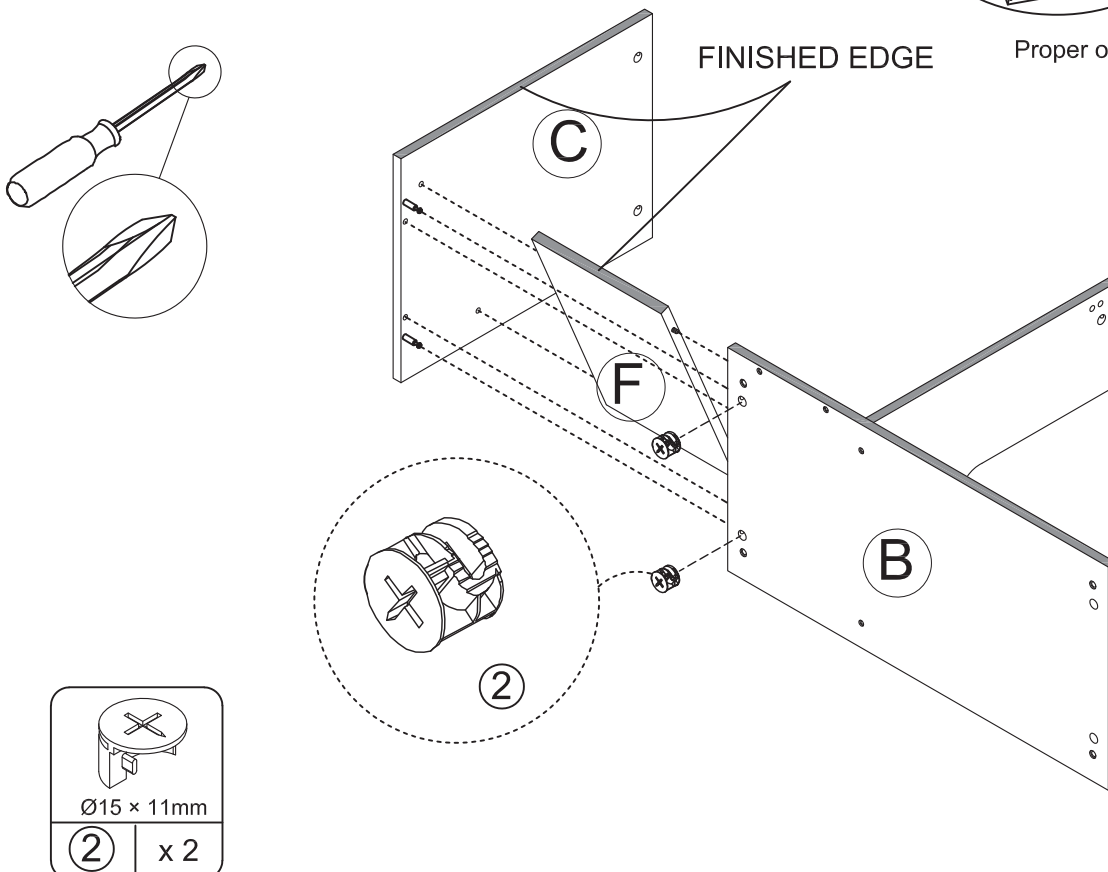
Proper orientation of CAM LOCK



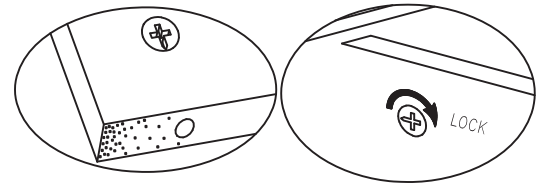
Step 4



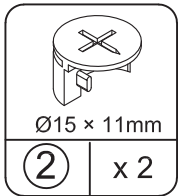
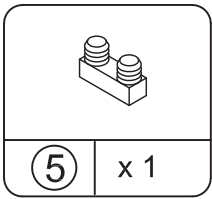
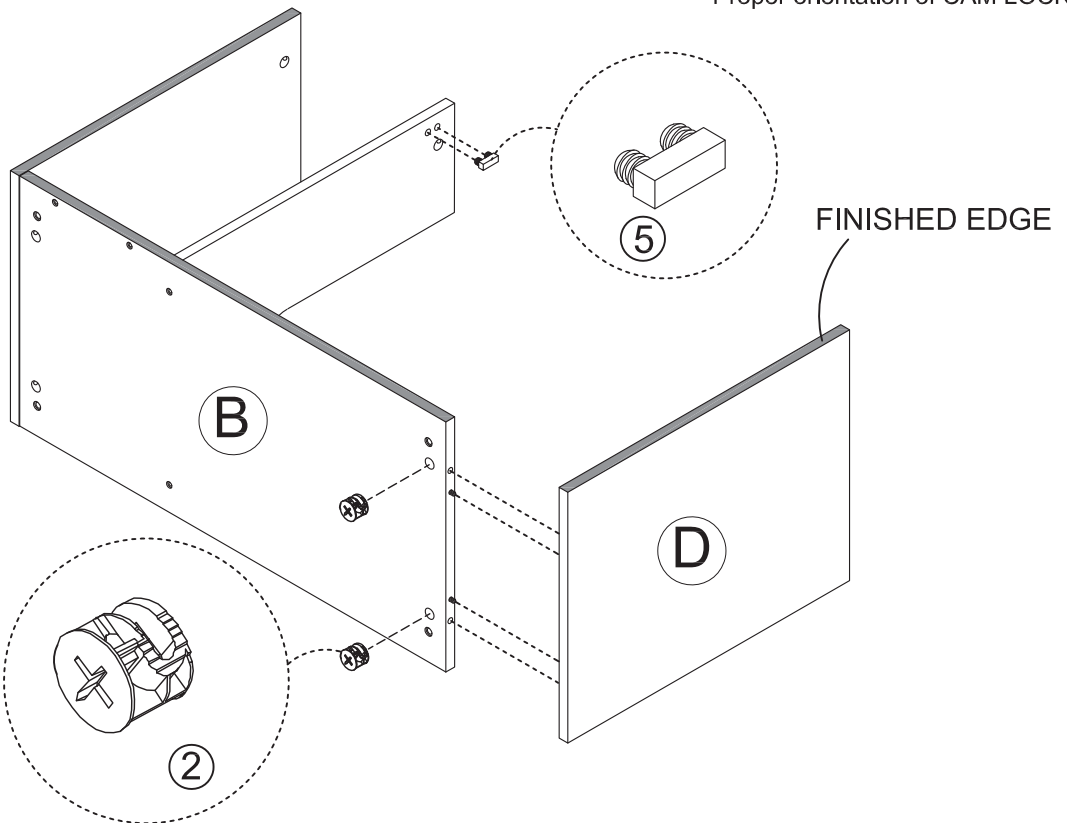
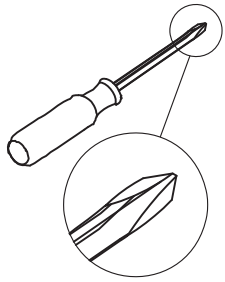
Proper orientation of CAM LOCK



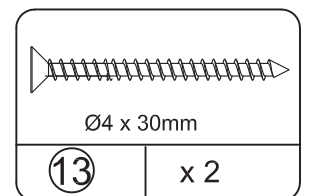
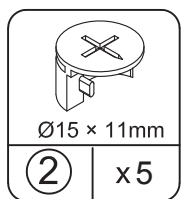
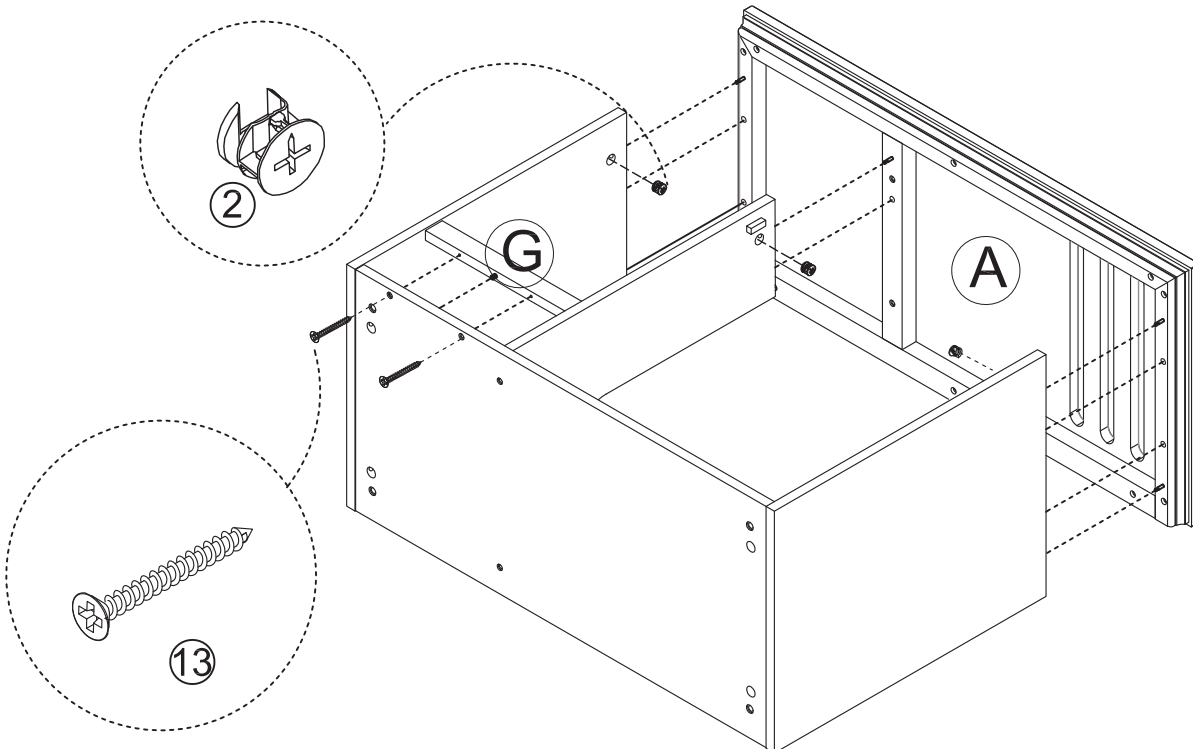
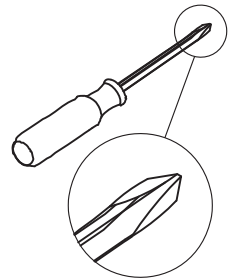
Step 5



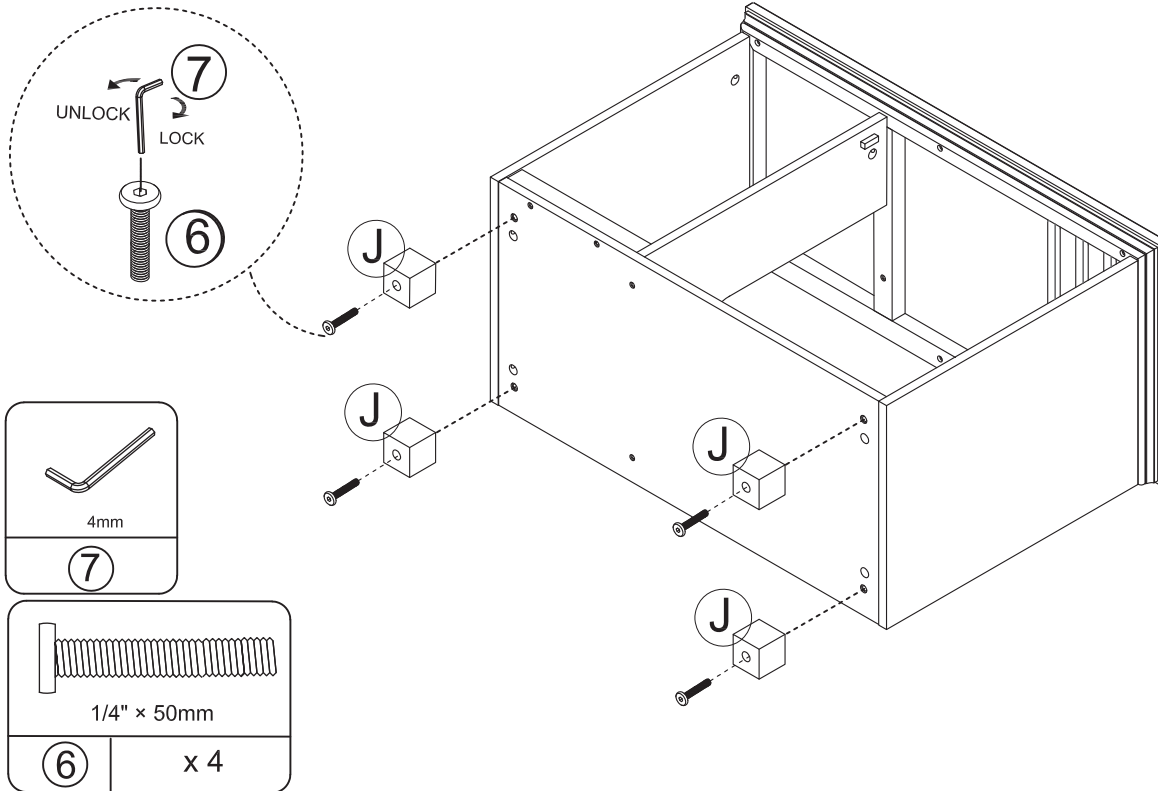
Proper orientation of CAM LOCK



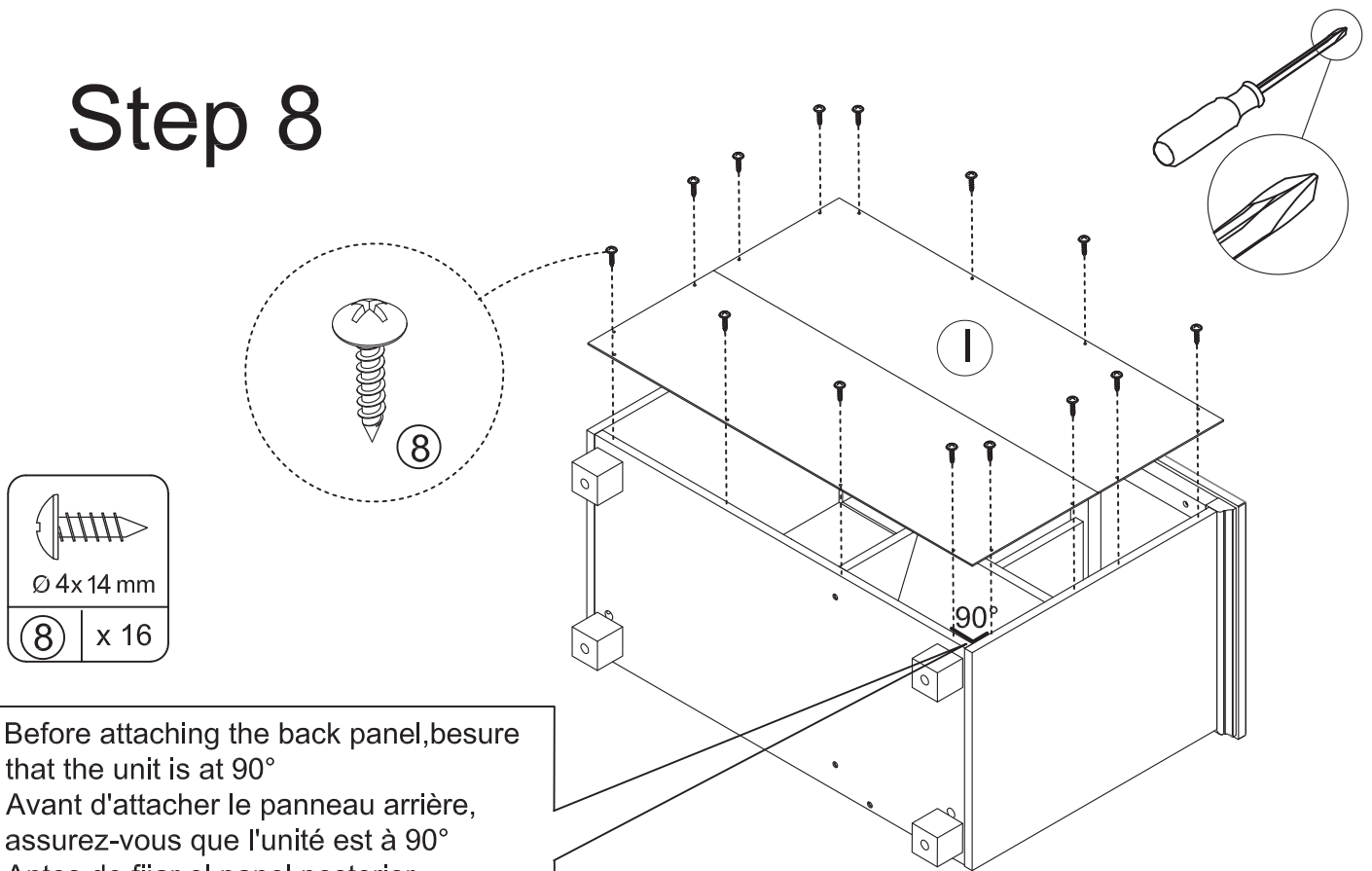
Step 6



Step 7

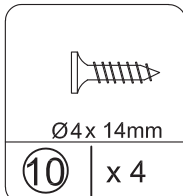
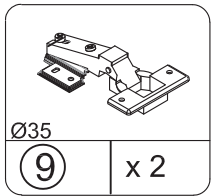
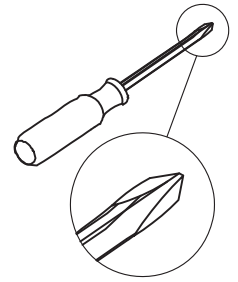
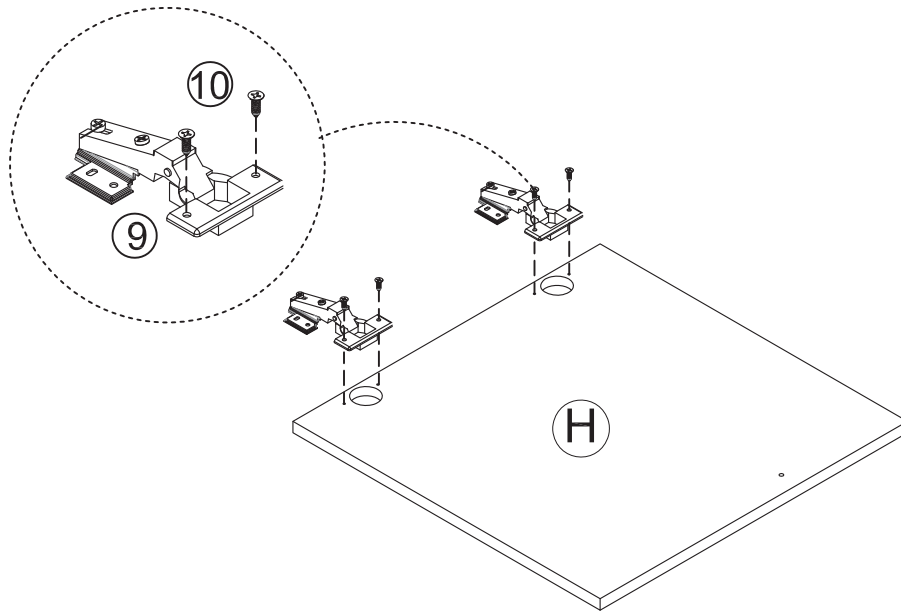


Step 8

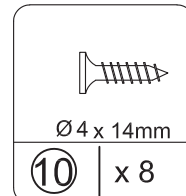
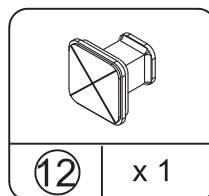
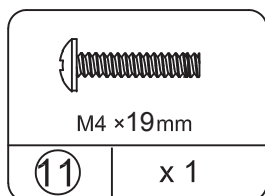
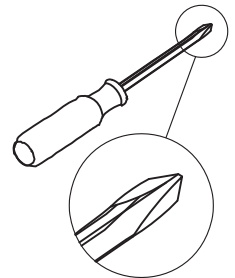
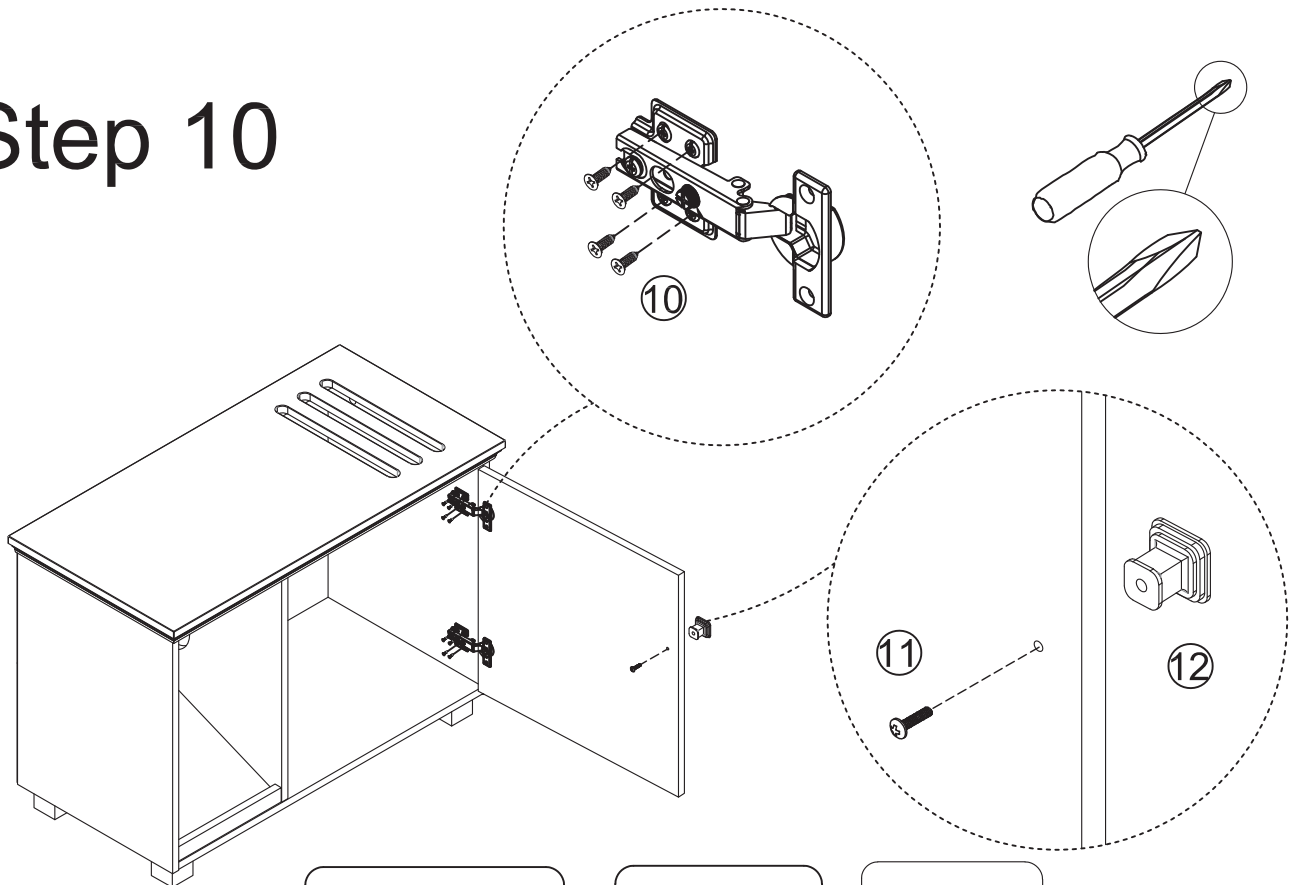


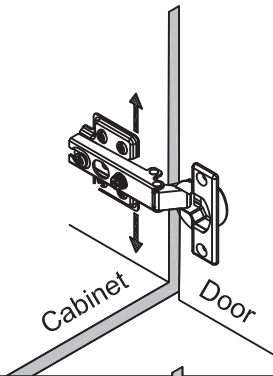
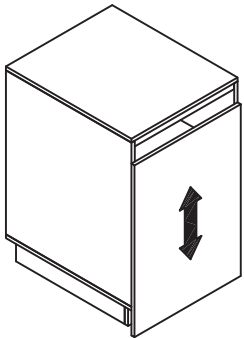
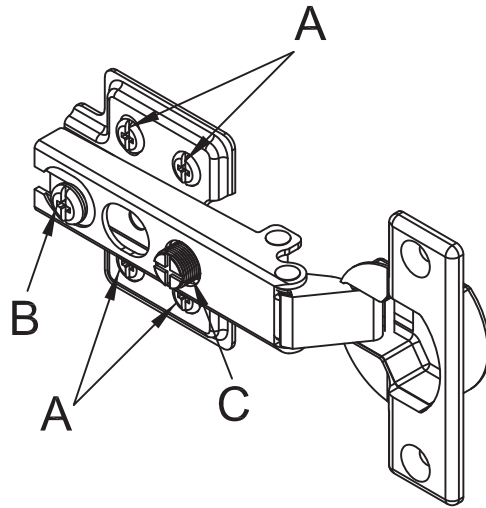
Before attaching the back panel, be sure that the unit is at 90°
Avant d'attacher le panneau arrière, assurez-vous que l'unité est à 90°
Antes de fijar el panel posterior, asegúrese de que la unidad esté a 90°

Step 9



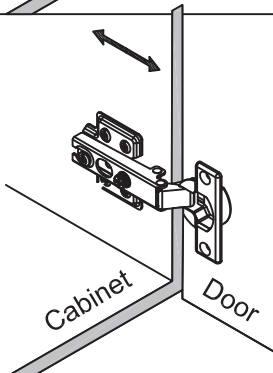
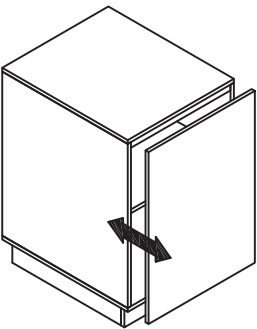
Step 10





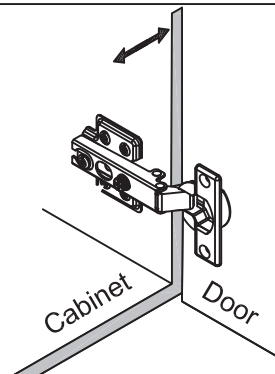
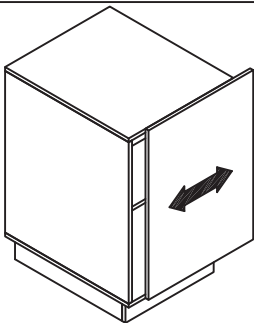
To adjust the vertical height.

Loosen the four screws "A" on both hinges. Two of them are usually in slotted holes which allows you to adjust up or down by a few mm. Then tighten back up.



To adjust depth.

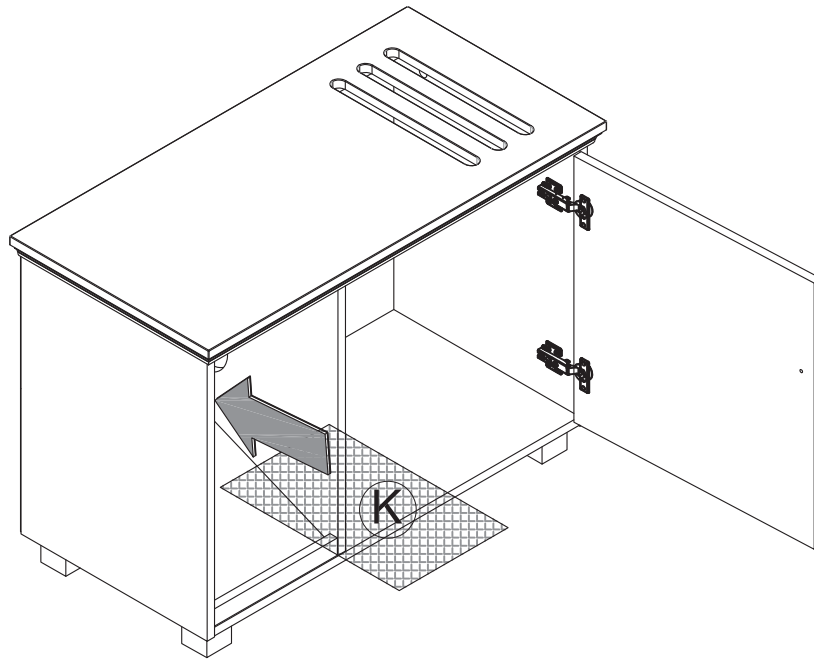
Loosen screw "B" and adjust door, if the door can not be adjusted, please loosen screw "C", then try again. Tighten screw "B" and "C".



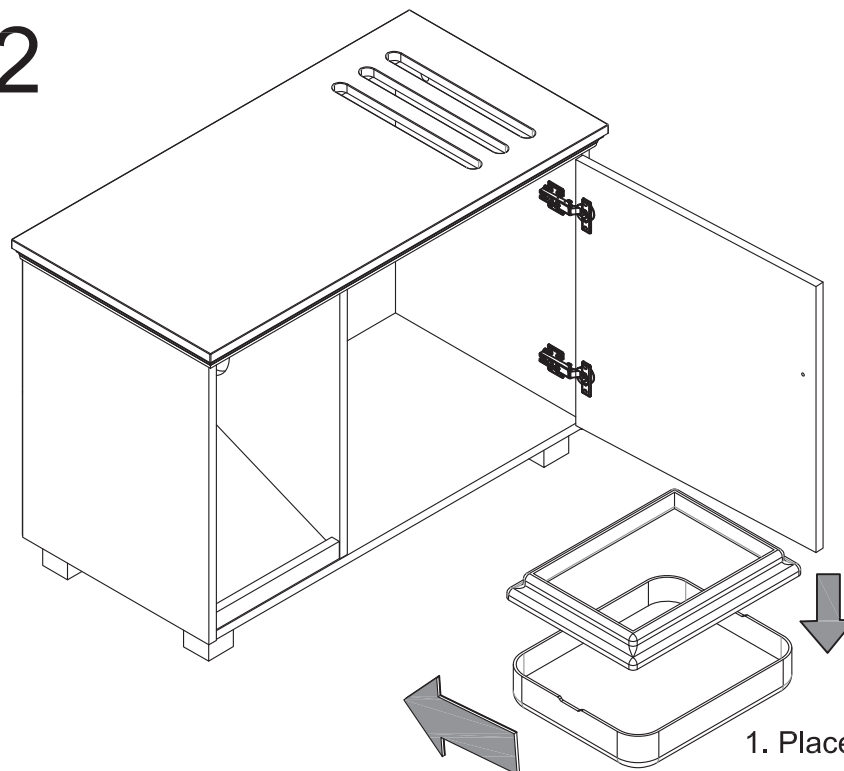
To adjust side ways.

Turning the screw "C" on BOTH hinges on each door.

Step 11



Step 12

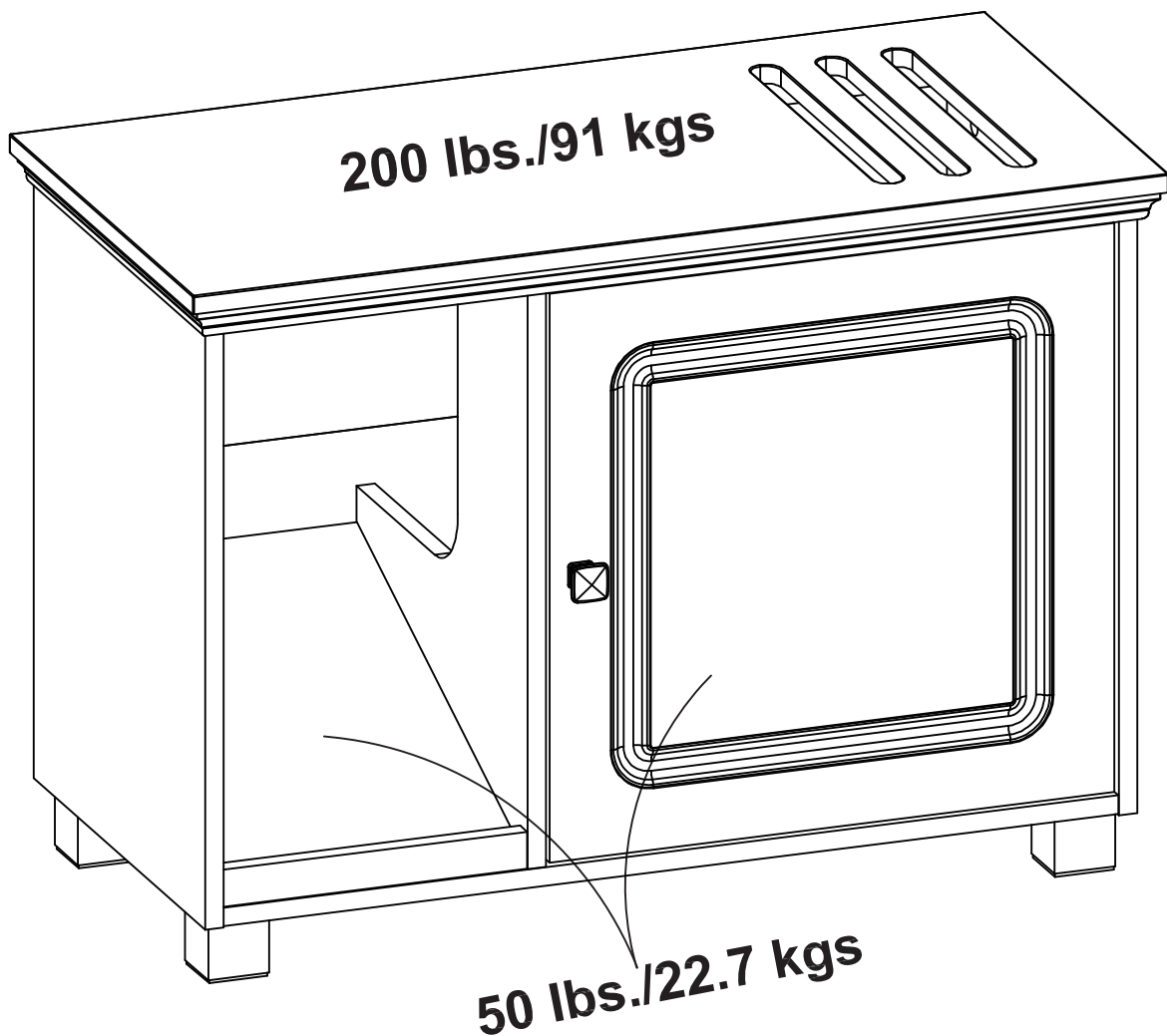


1. Place cover on litter box

2. Place whole box into cabinet

Safety Maximum Loads

This unit has been designed to support the maximum loads shown. Exceeding these load limits could cause sagging, instability, product collapse, and/or serious injury.



WARNING

Please make sure that all objects are removed before moving the assembled unit. The unit must be team lifted, not dragged or pushed. Failure to do so could cause instability, product collapse, and/or serious injury.