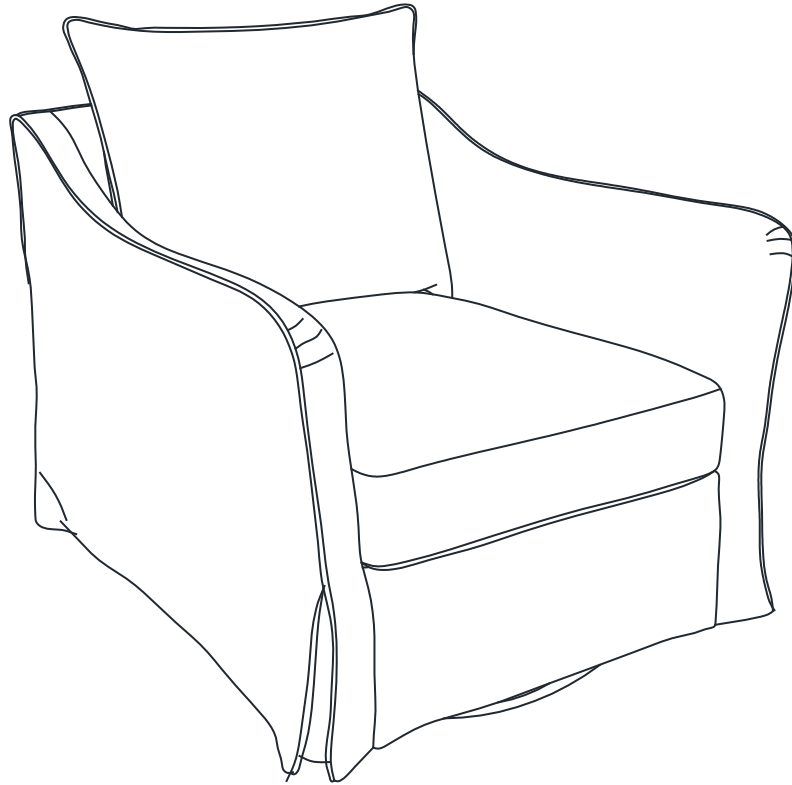
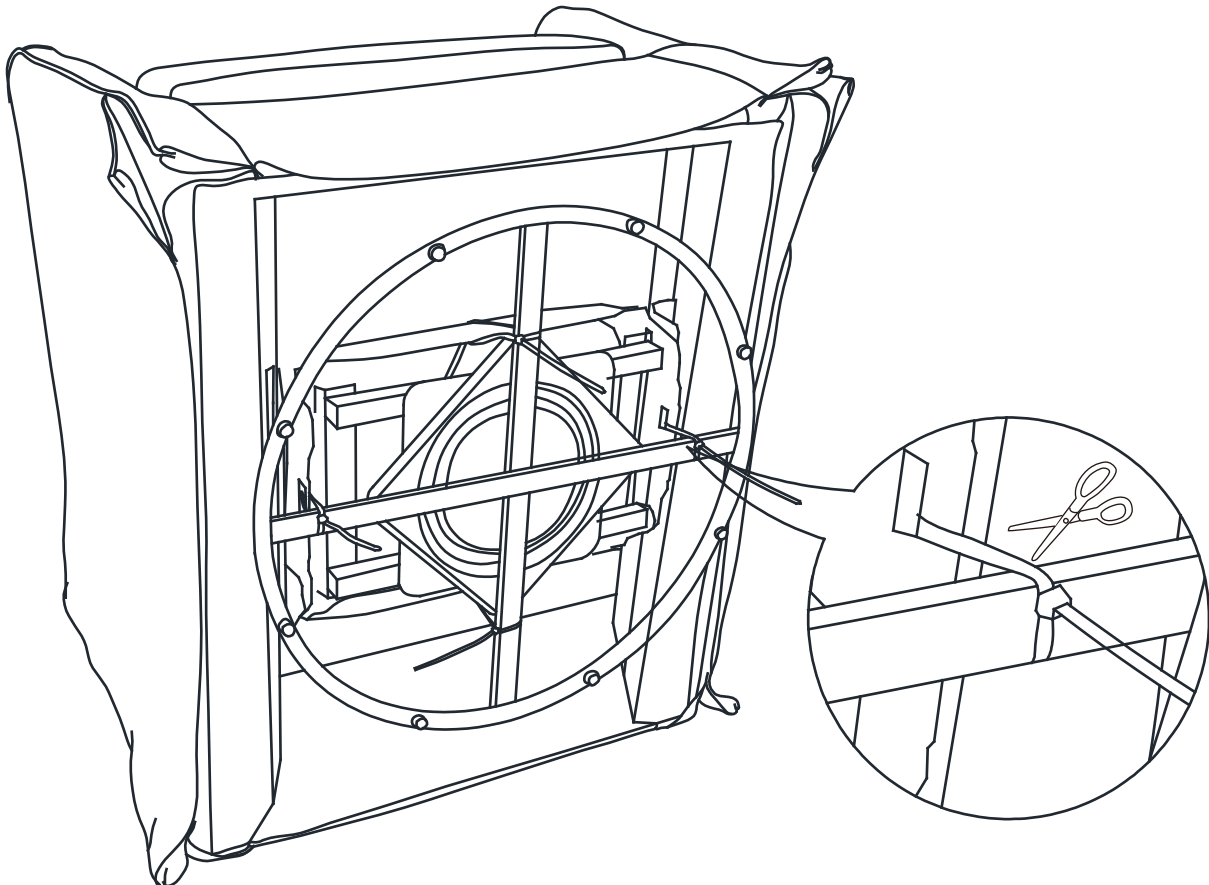


Assembly Instruction

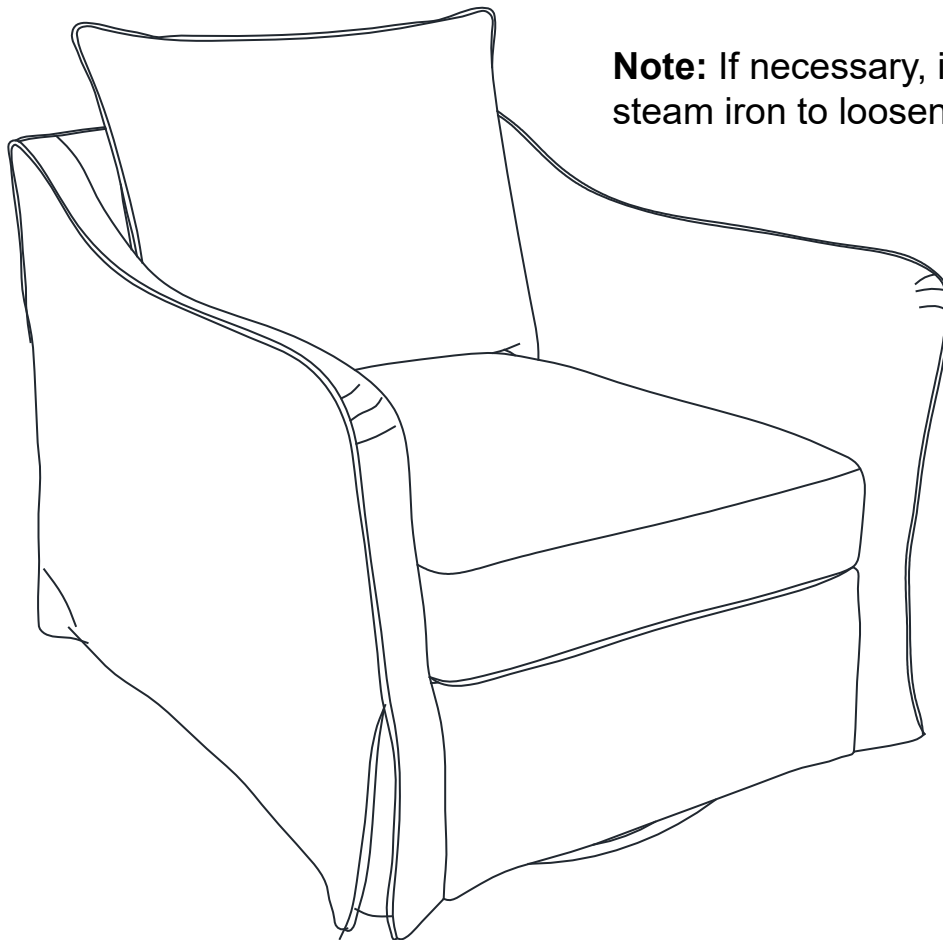


Step1:
Remove the tie-wraps , as shown.



Helpful Hints

- Move your new furniture carefully, with two people lifting and carrying the unit to its new location.
- Your furniture can be disassembled and reassembled to move.
- Clean the product with a soft damp cloth. DO NOT use harsh chemicals or abrasive cleaners.
- For further information please contact at sales4@jsanyee.com



Note: If necessary, iron the fabric cover with a steam iron to loosen wrinkles.