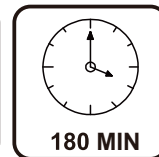
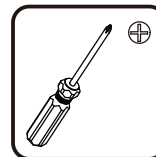
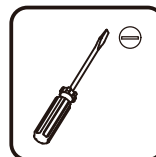
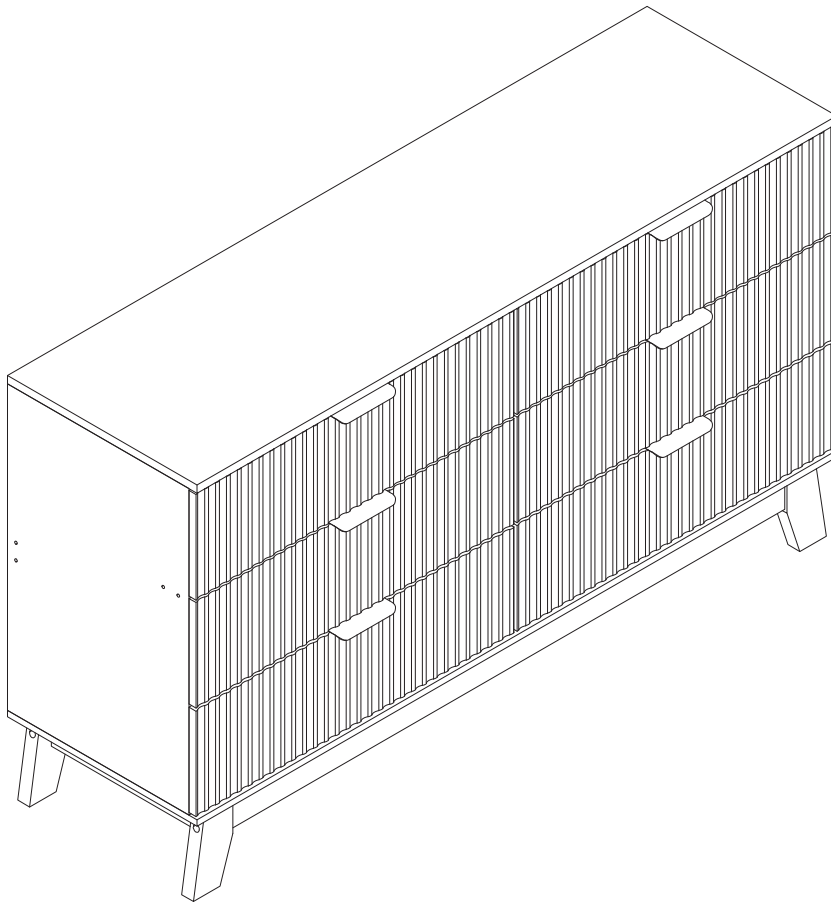


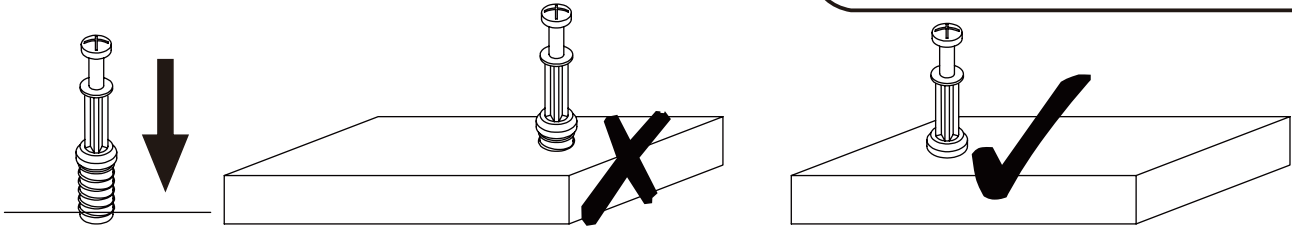
Installation & Assembly

Version:1.0

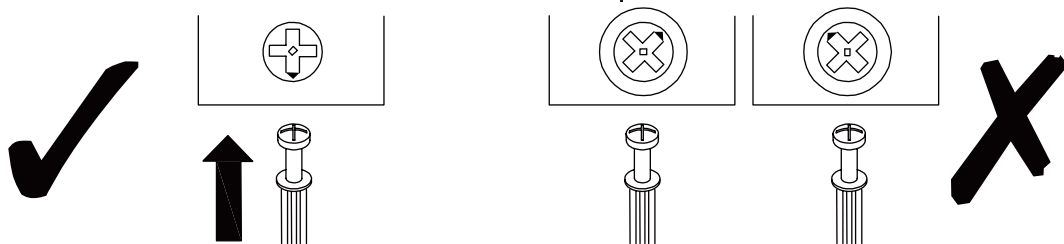


EN_IMPORTANT, RETAIN FOR FUTURE REFERENCE: READ CAREFULLY.

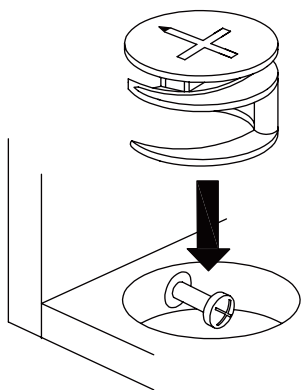
USING CAM LOCK AND QUICKFIT



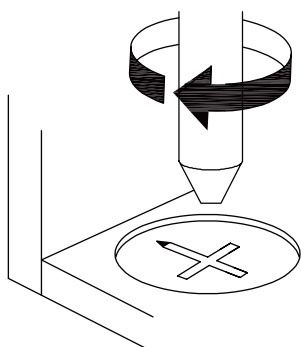
EN_QUICKFIT: Tighten quickfit until shoulder is flush with panel. Do not overtighten or undertighten.



EN_CAM LOCK: When fitting cam lock, ensure starting position is correct before you insert connecting quickfit.

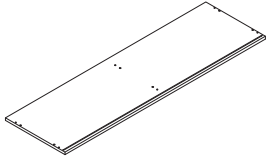
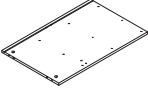
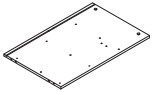
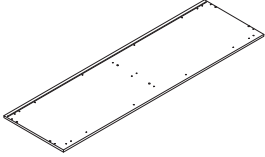
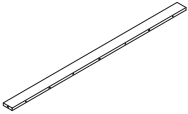
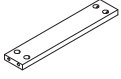

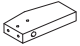
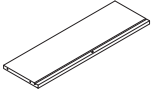
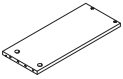


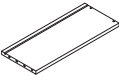

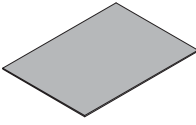
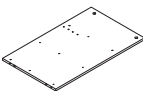
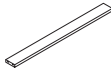
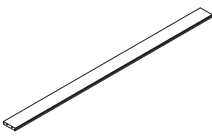
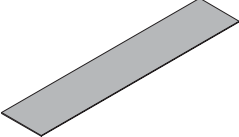
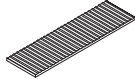
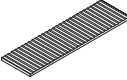
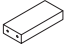
EN_Quickfit head should be in the centre of the cam lock when the two panels are joined.
Cam lock should be inserted before quickfit.

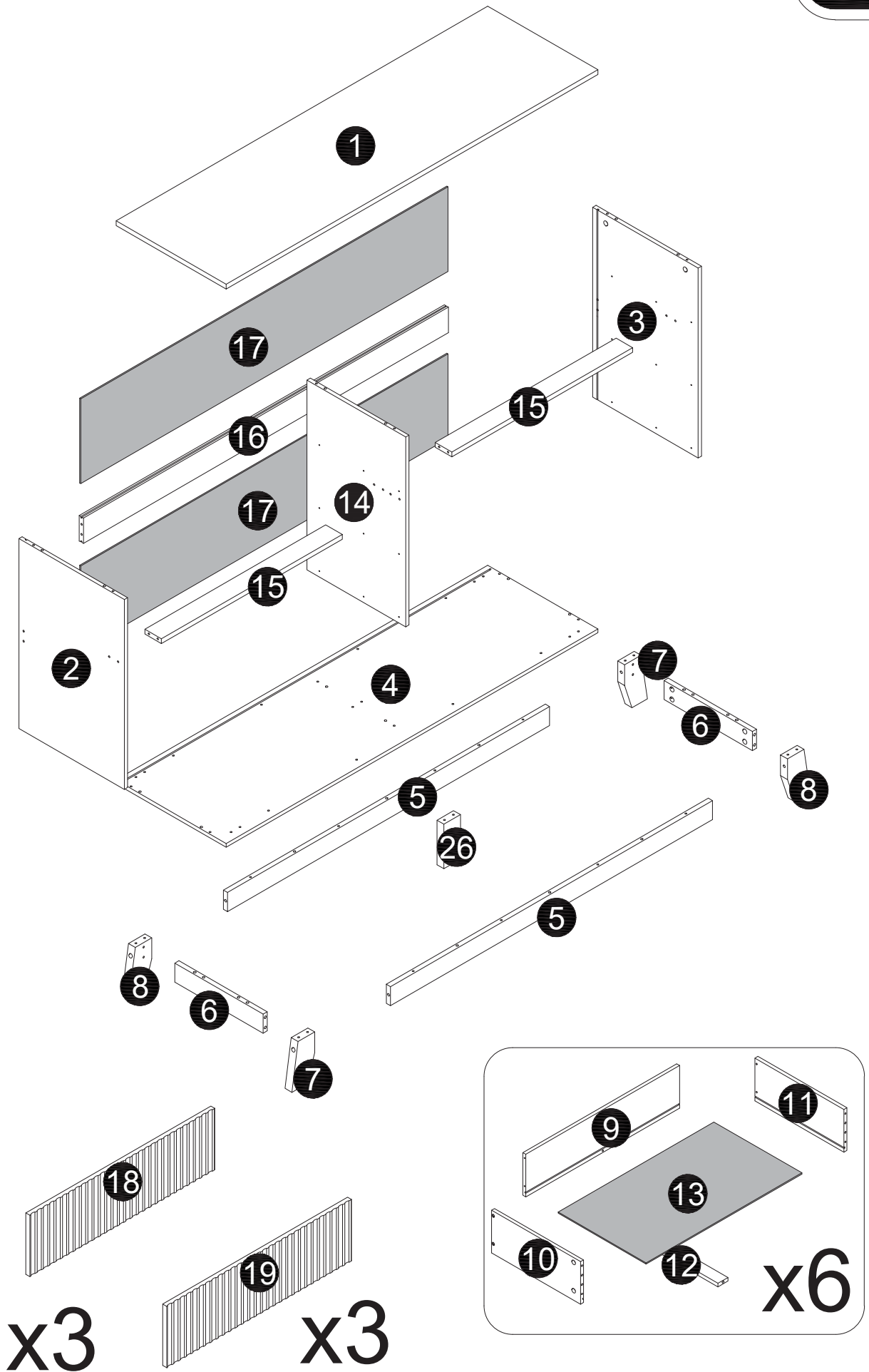


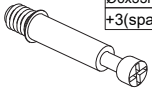

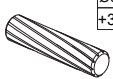
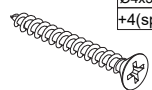

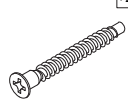

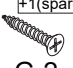


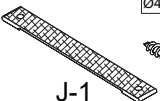







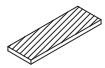
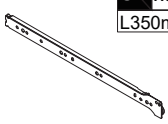
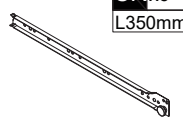
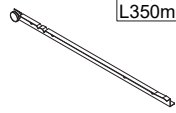
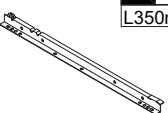
EN_Turn cam lock clockwise to tighten.

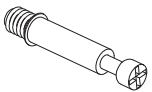
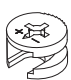
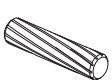
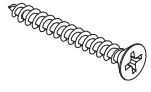
PACKING DETAILS

NO.	PARTS	QTY	SPARE
①		x1	
②		x1	
③		x1	
④		x1	
⑤		x2	
⑥		x2	
⑦		x2	
⑧		x2	
⑨		x6	
⑩		x6	

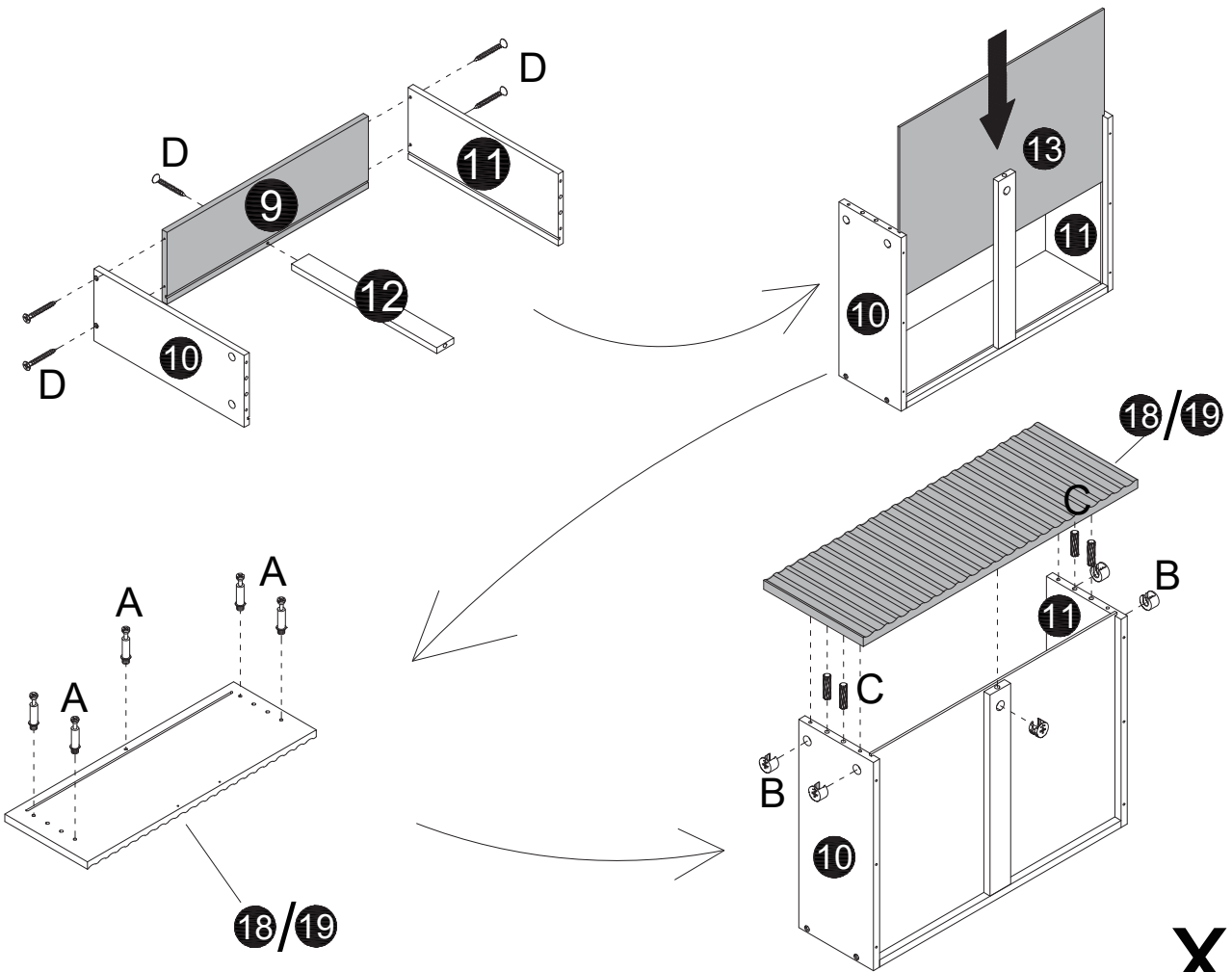
NO.	PARTS	QTY	SPARE
⑪		x6	
⑫		x6	
⑬		x6	
⑭		x1	
⑮		x2	
⑯		x1	
⑰		x2	
⑱		x3	
⑲		x3	
⑳		x1	



 A x44 Ø6x35mm +3(spare)	 B x44 Ø15x10mm +3(spare)	 C x46 Ø6x30mm +3(spare)	 D x31 Ø4x35mm +4(spare)	 E x84 Ø3.5x12mm +3(spare)	 F x18 +2(spare)
 G-1	 G-2	 H x22 +2(spare)	 I x6	 J-1	 J-2
 K-1	 K-2	 L x12 Ø15mm	 M-1	 M-2	 N x1
 O x4	 CL x6 L350mm	 CR x6 L350mm	 DL x6 L350mm	 DR x6 L350mm	

 A x30	 B x30	 C x24	 D x30
--	--	--	--

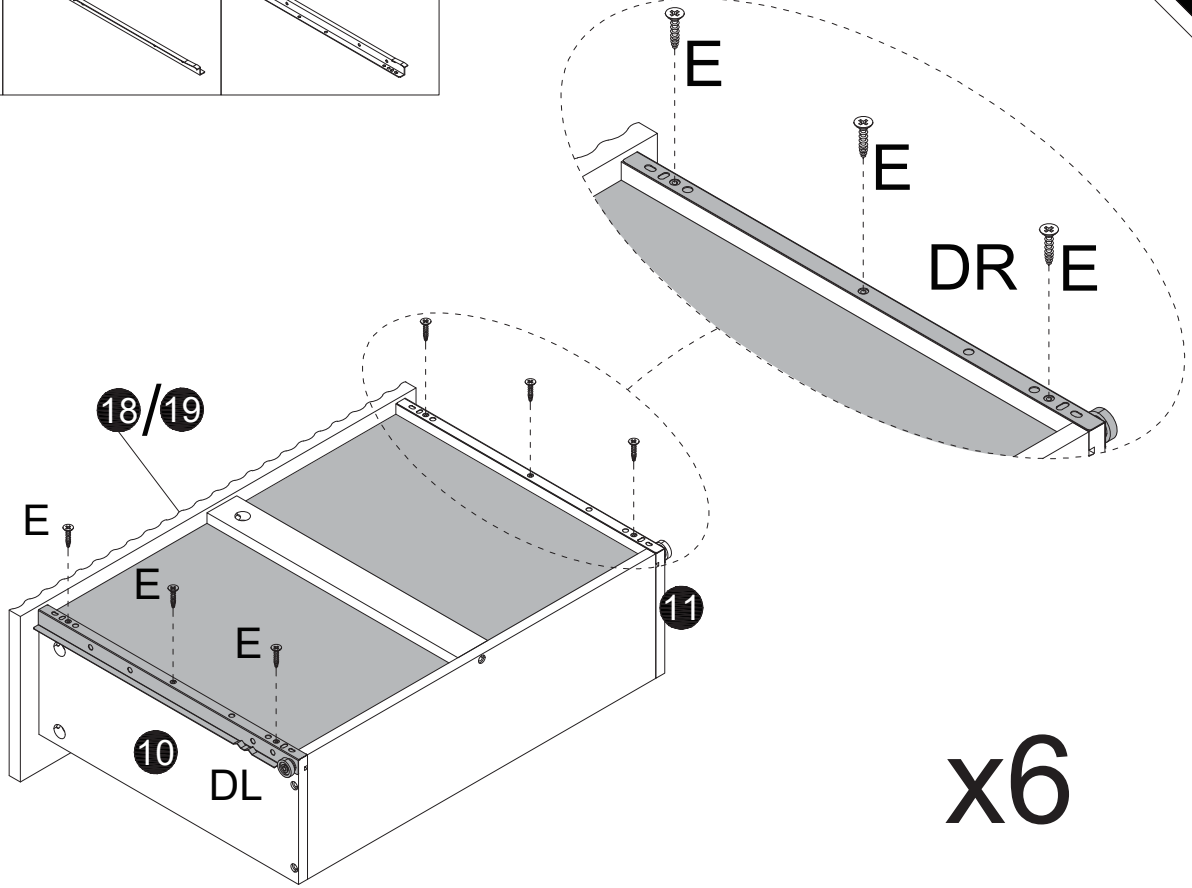
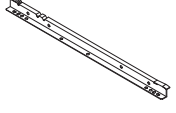
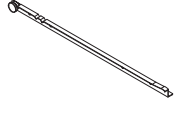
01



E x36

DL x6

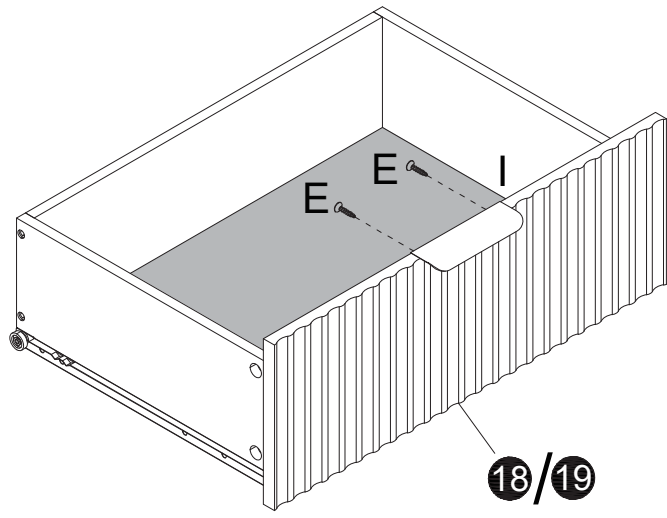
DR x6



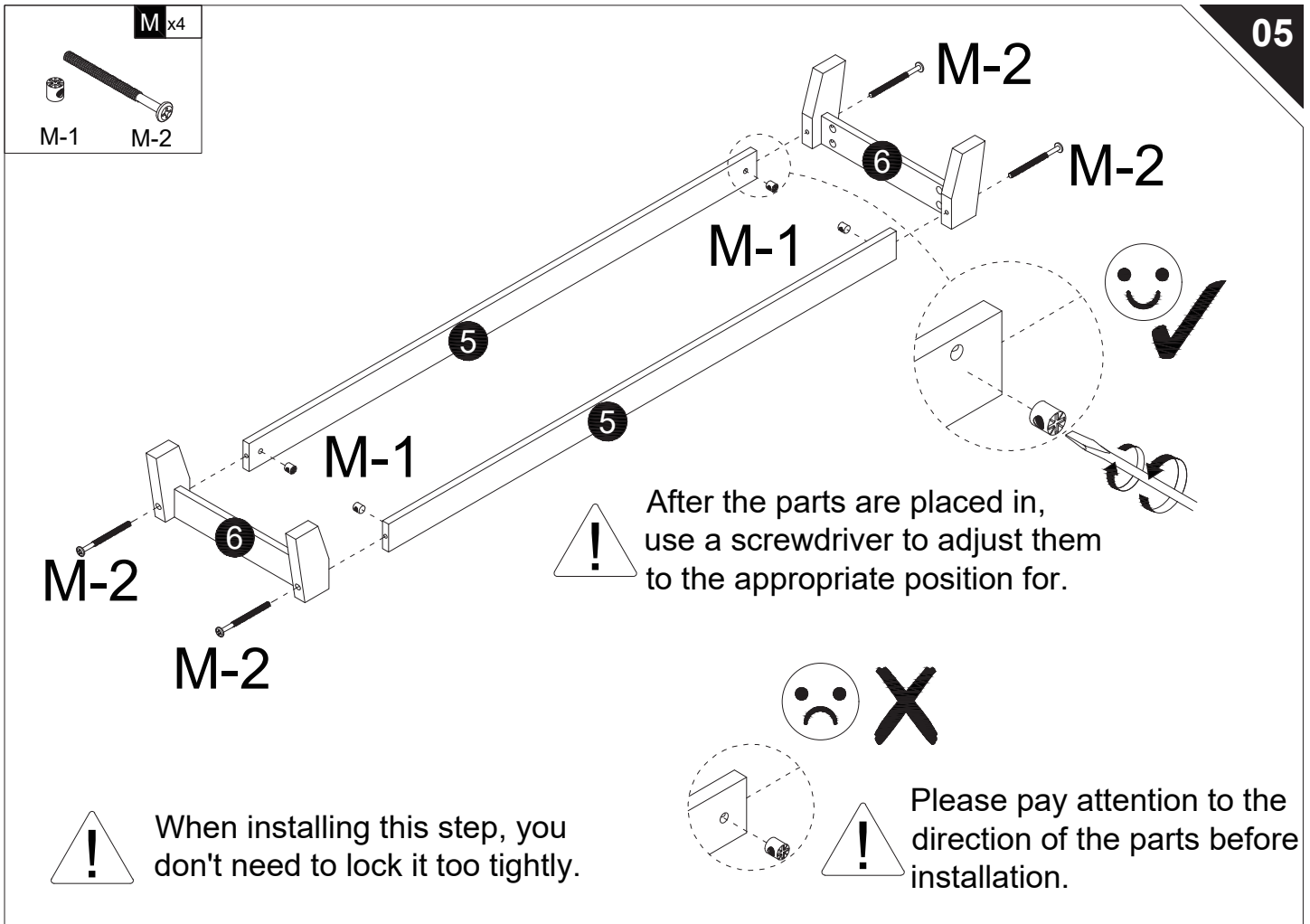
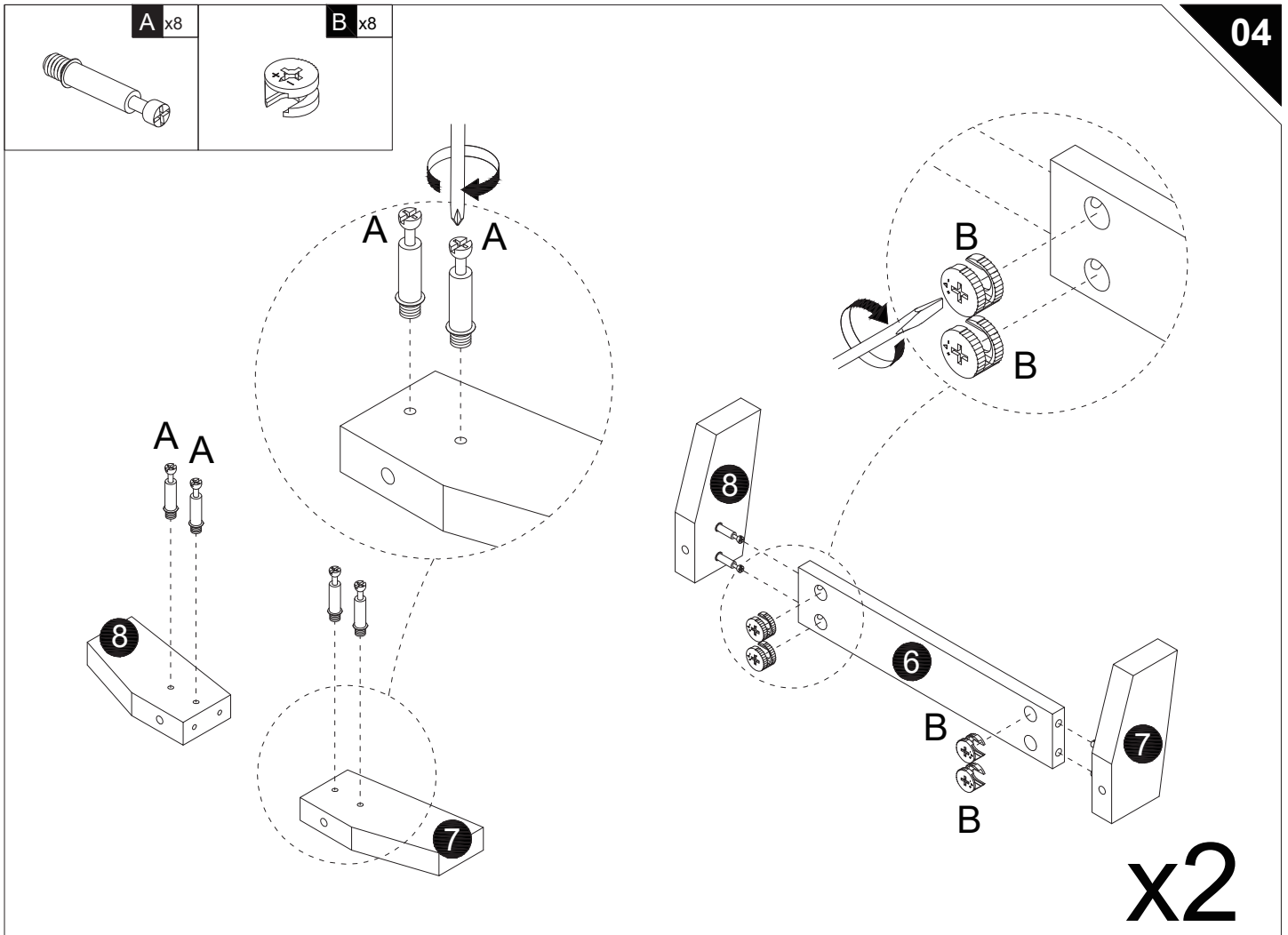
x6

E x12

I x6

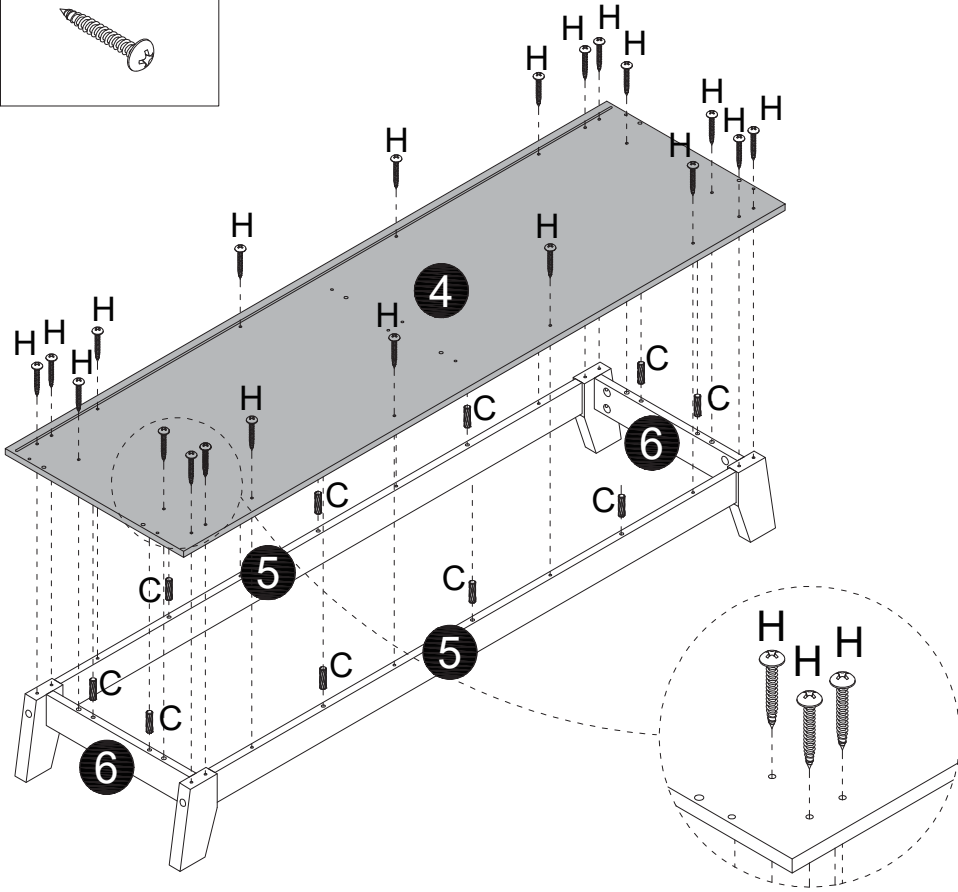
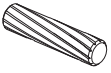


x6



C x10

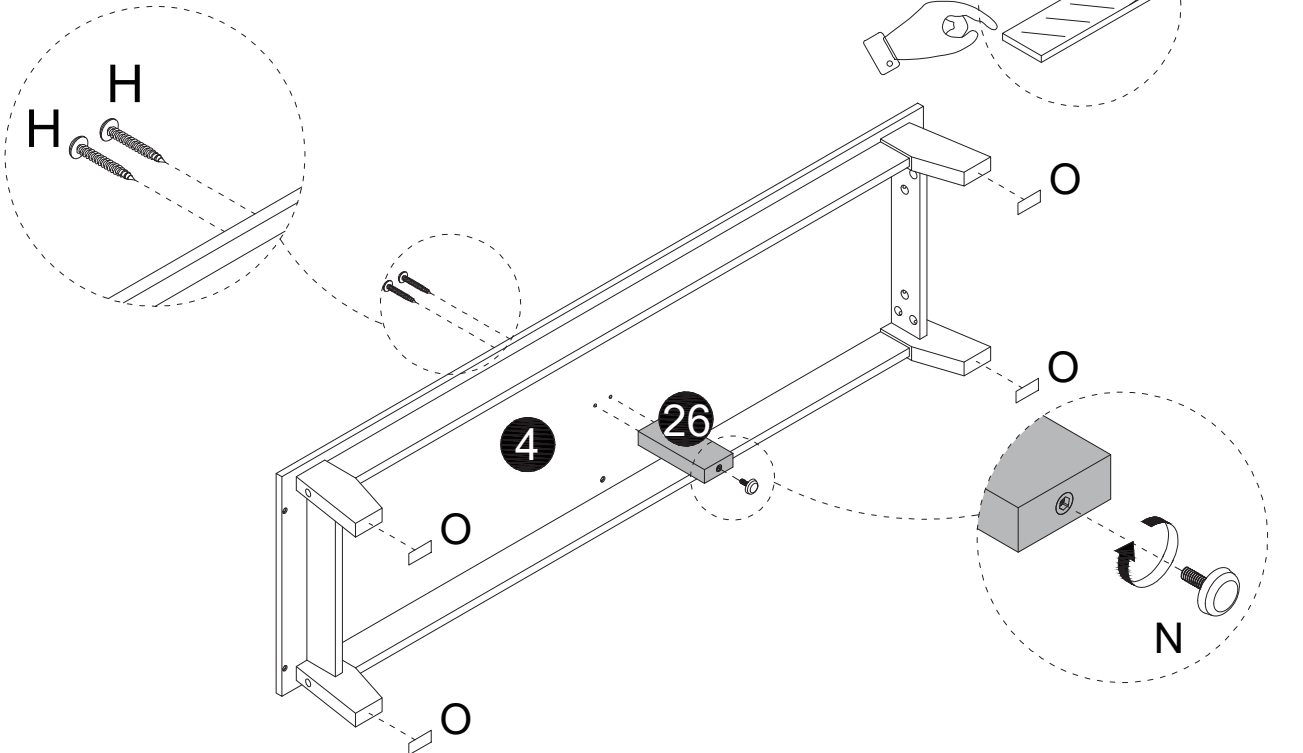
H x20



H x2

N x1

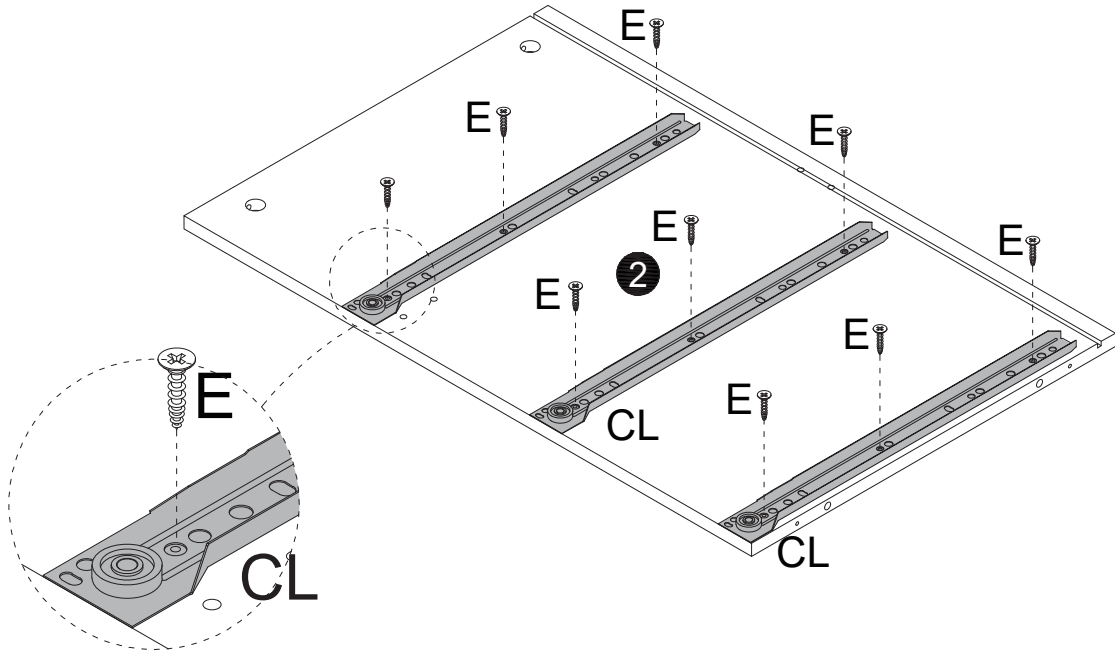
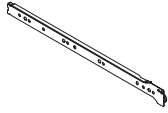
O x4



E x9

CL x3

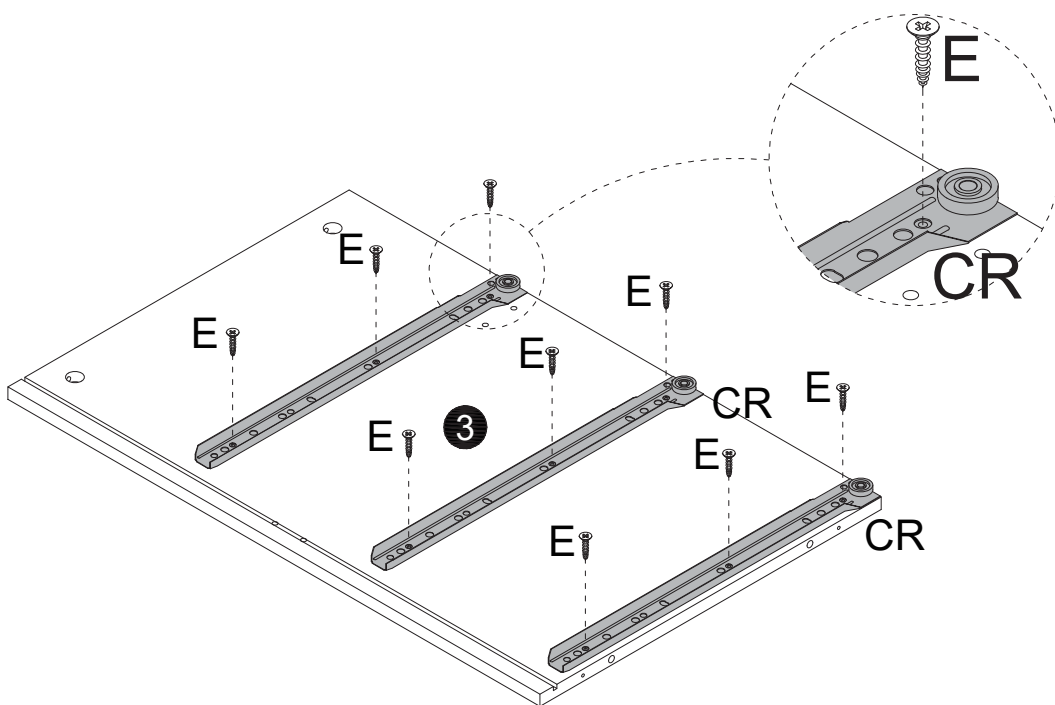
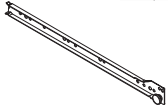
08



E x9

CR x3

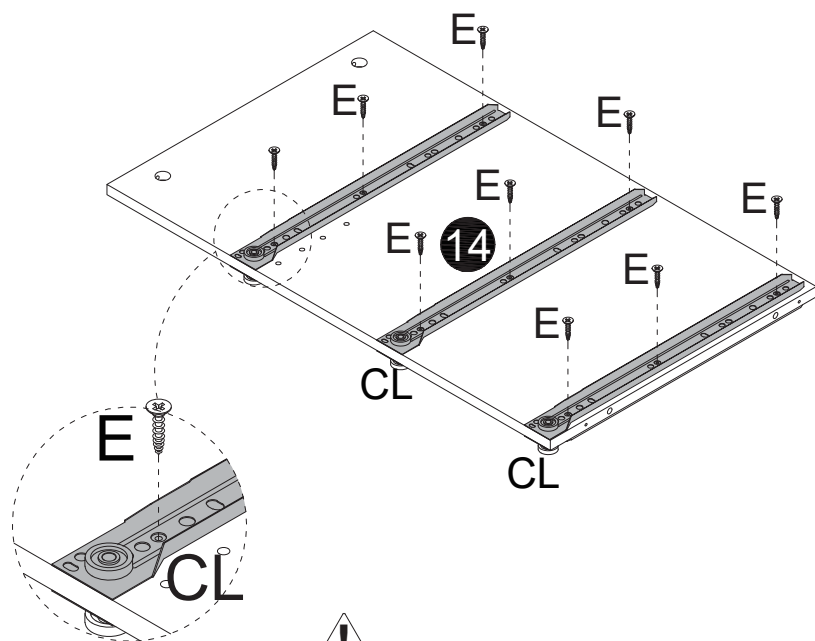
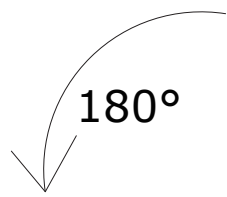
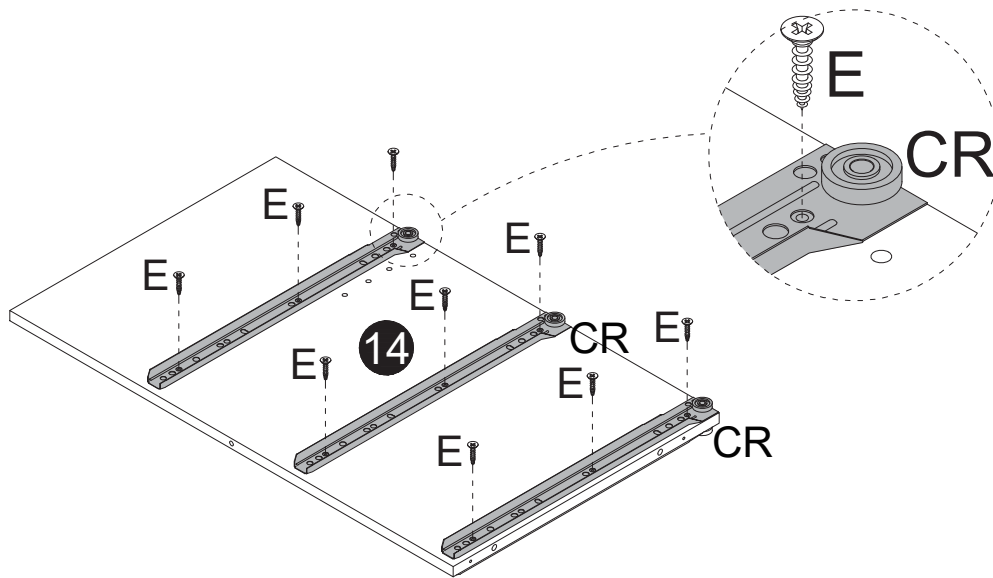
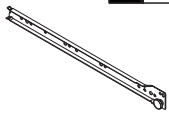
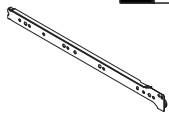
09



E x18

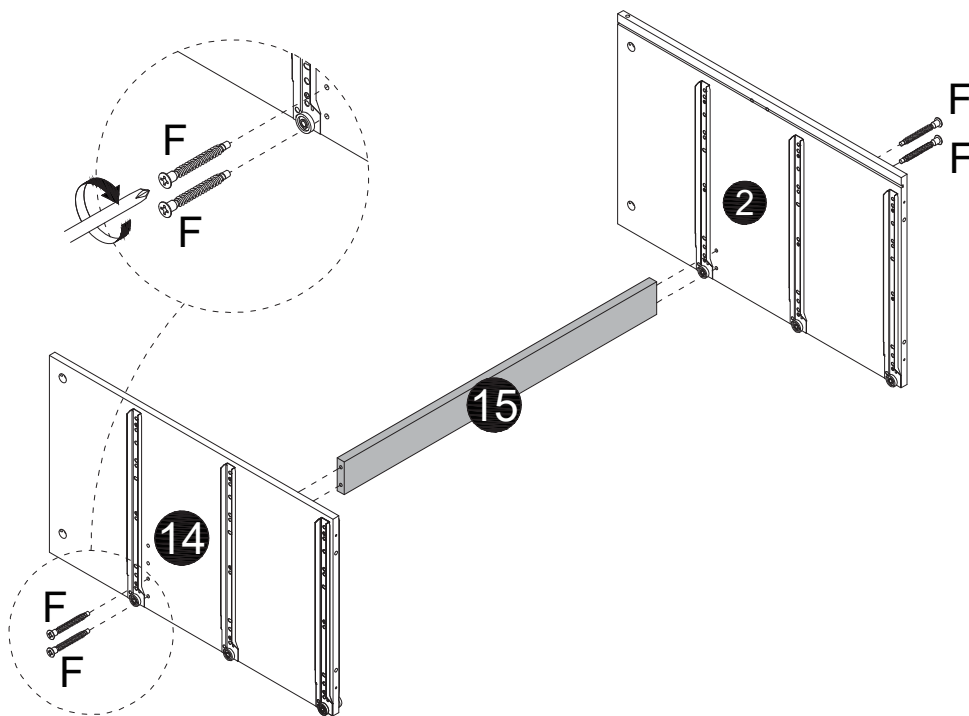
CL x3

CR x3

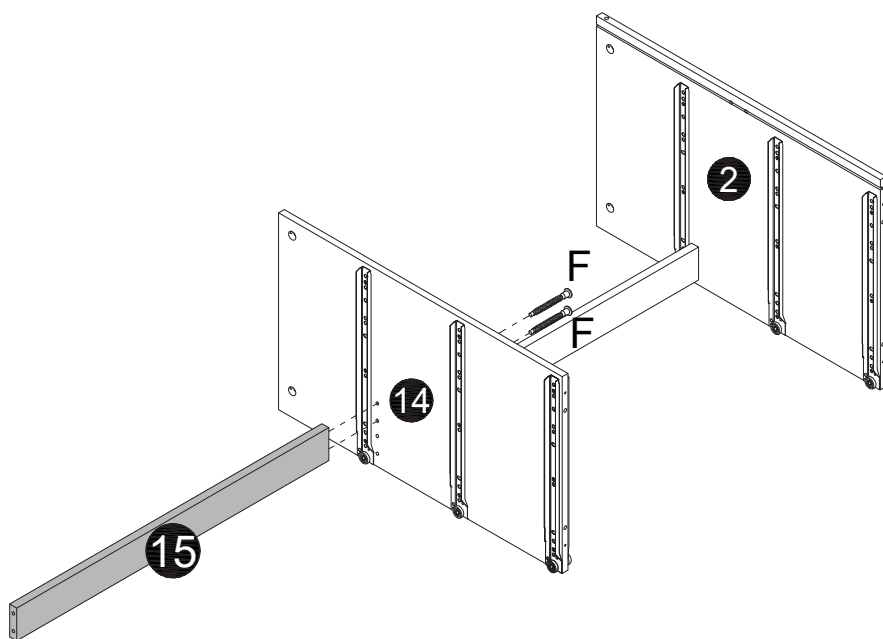


Second hole

F x4

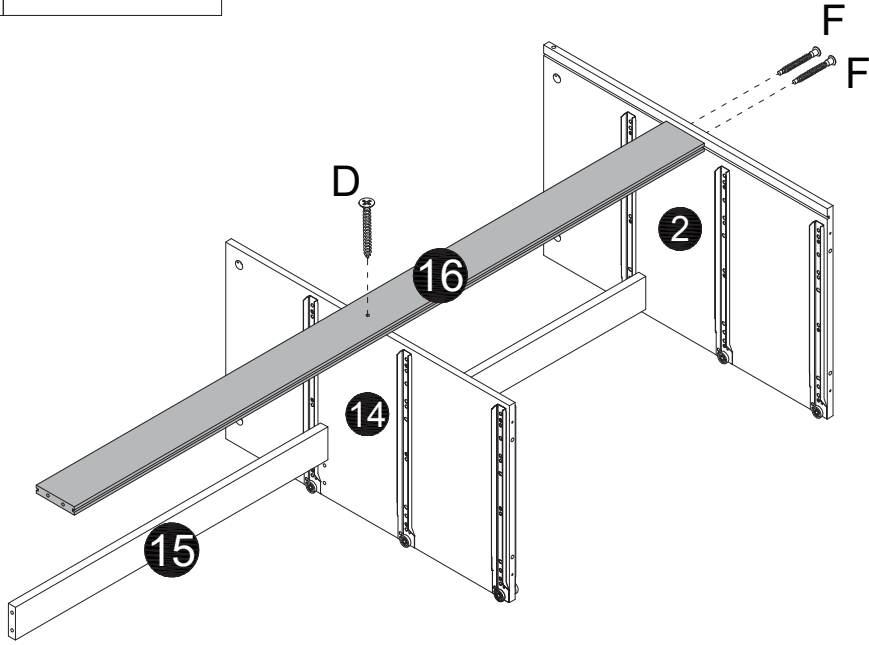
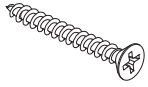
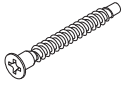


F x2

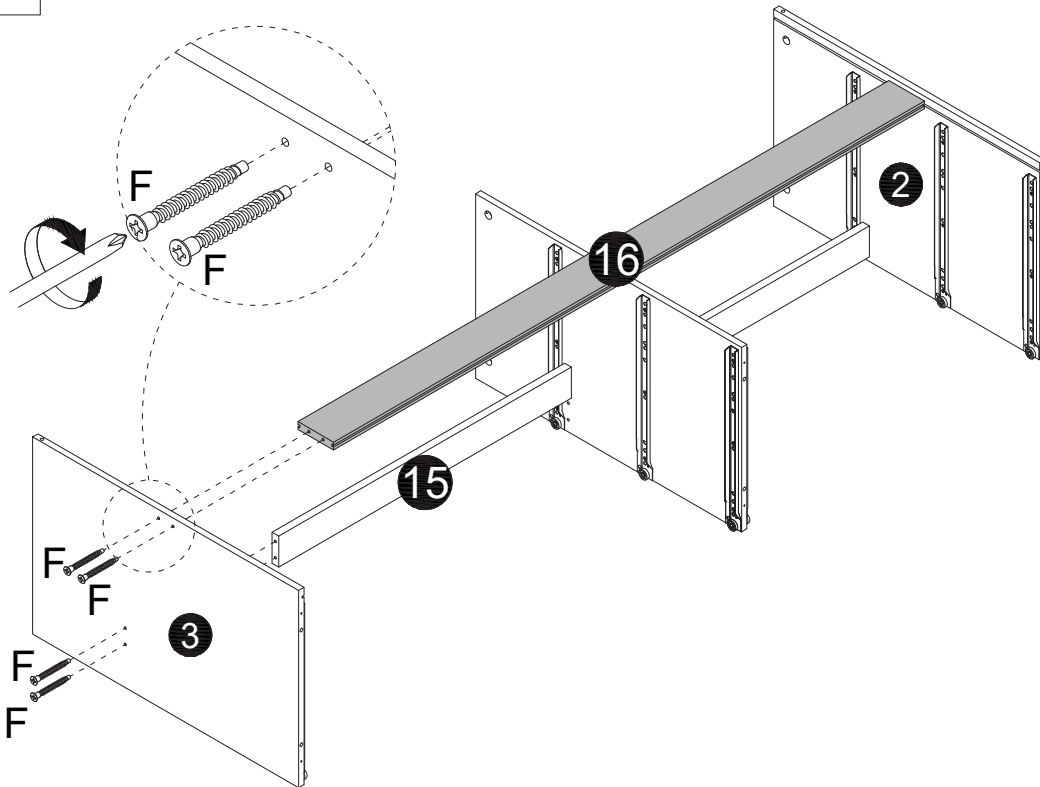


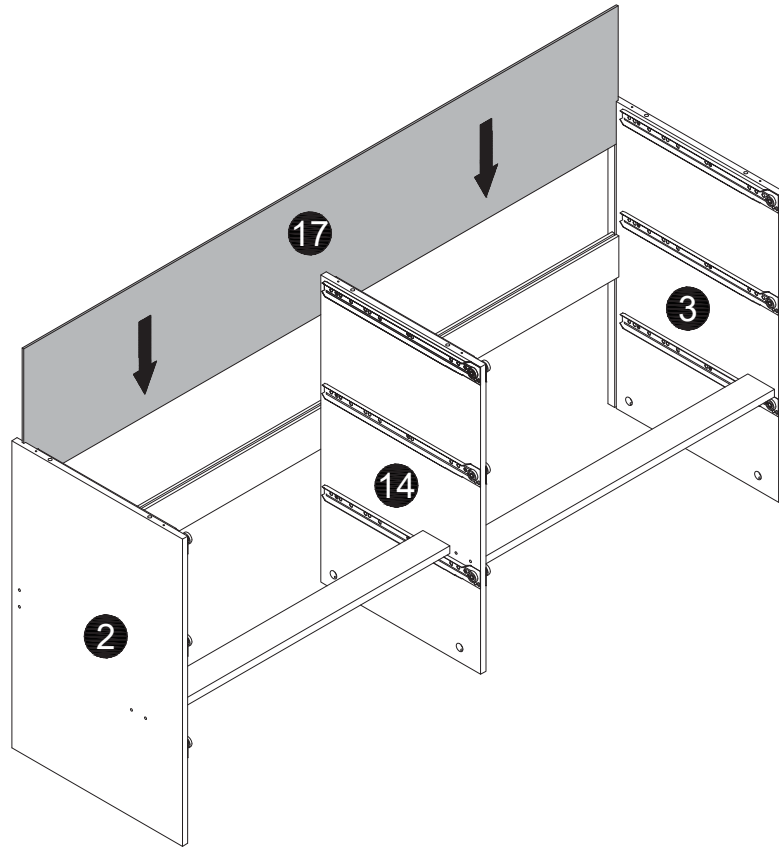
F x2

D x1



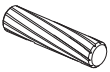
F x4



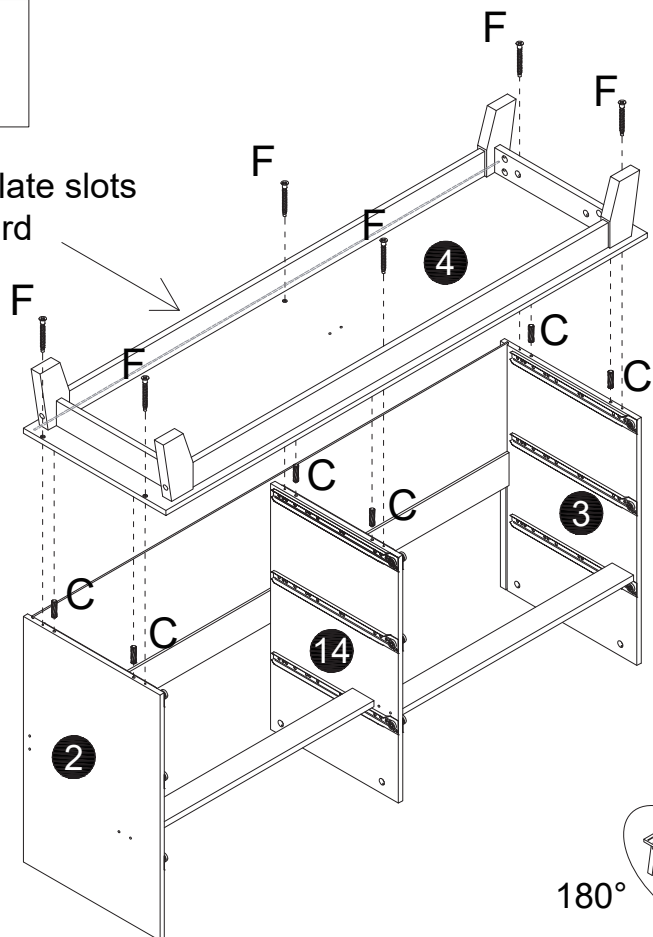
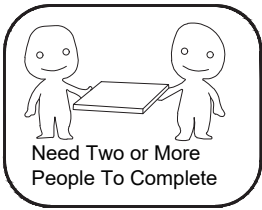


C x6

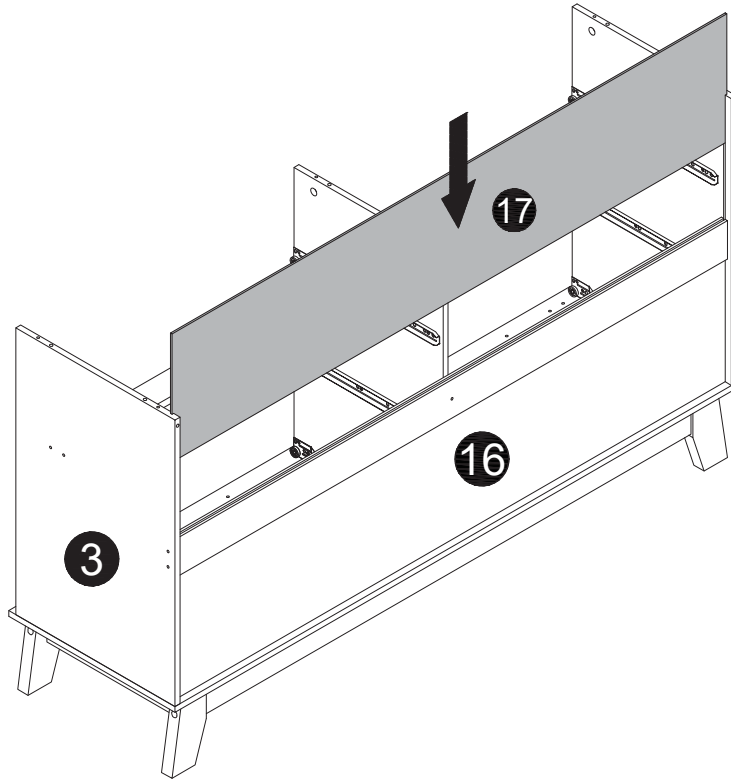
F x6



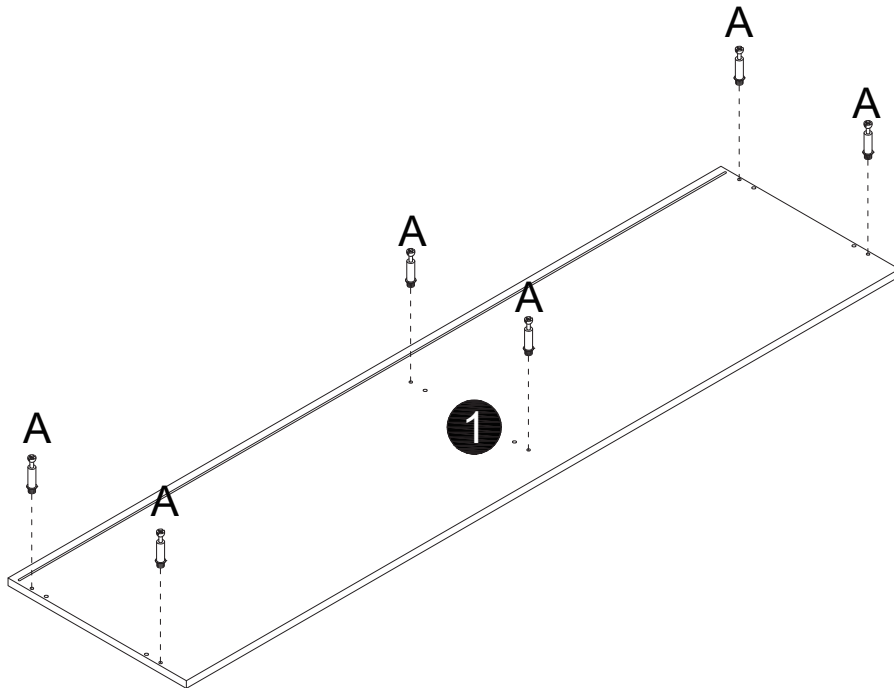
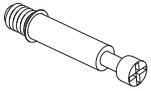
The backplate slots are rearward



180°

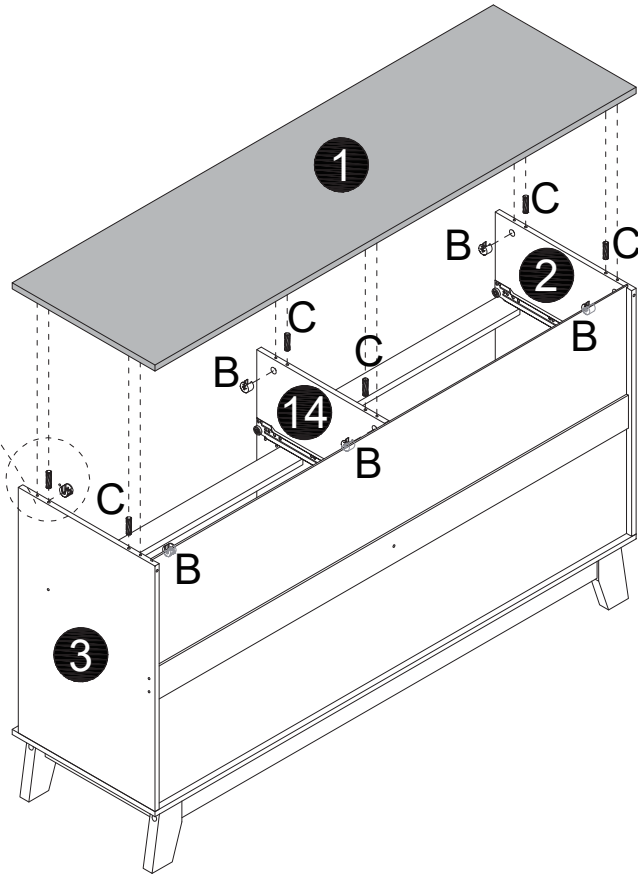
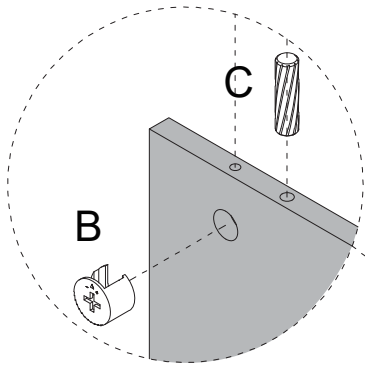
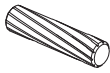


A x6



B x6

C x6



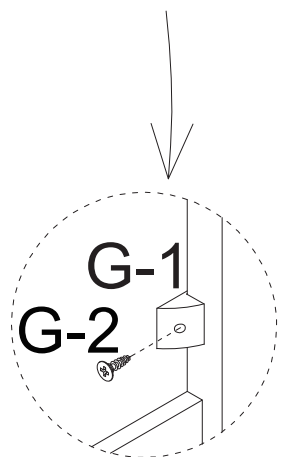
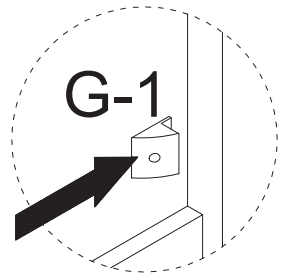
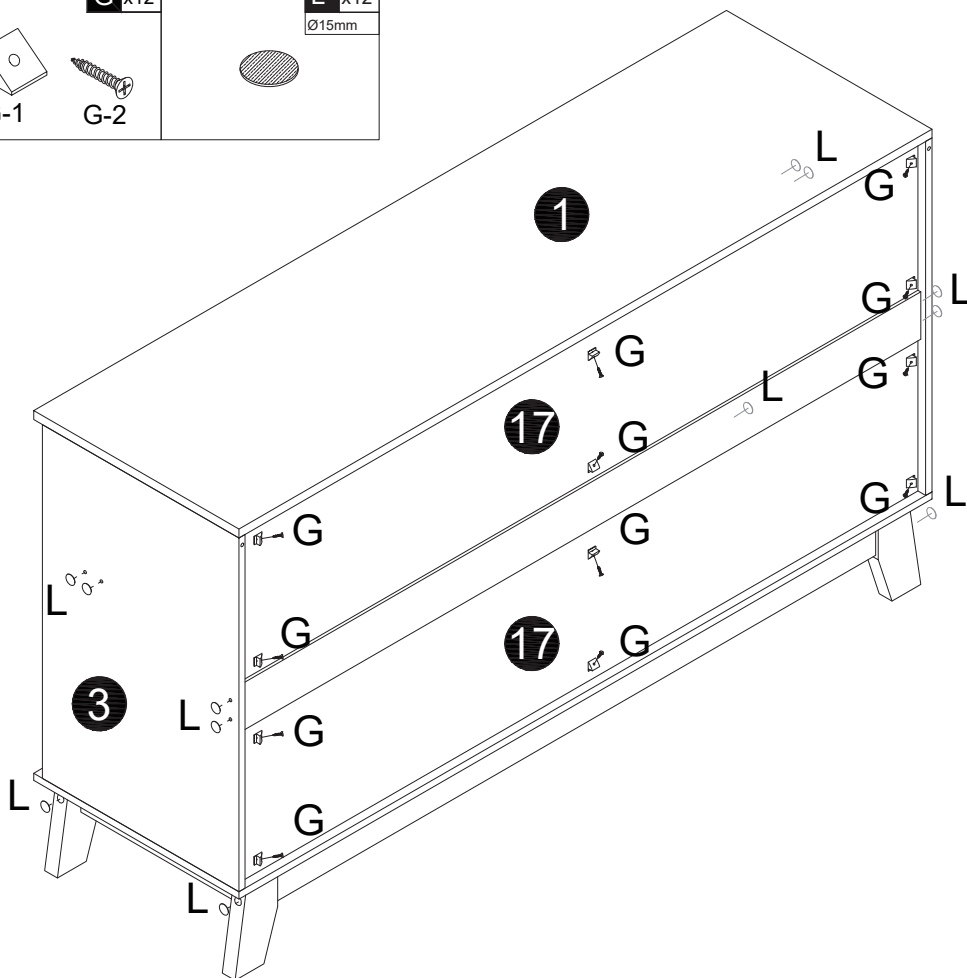
G x12

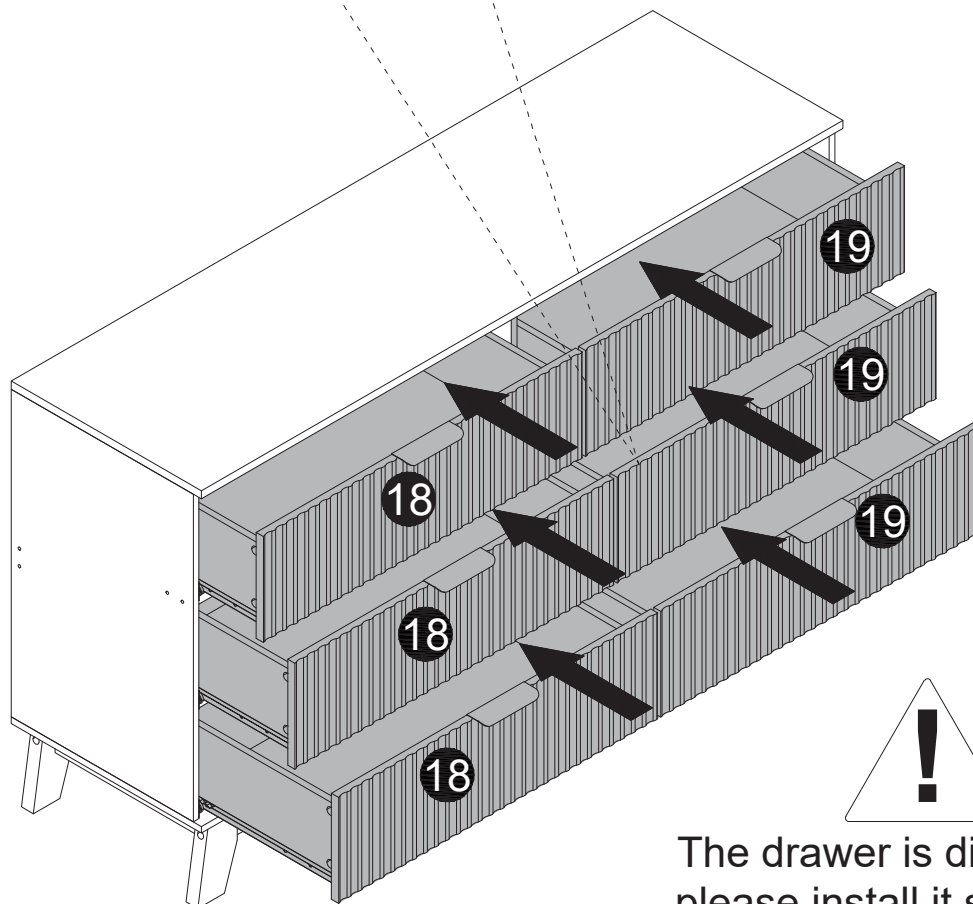
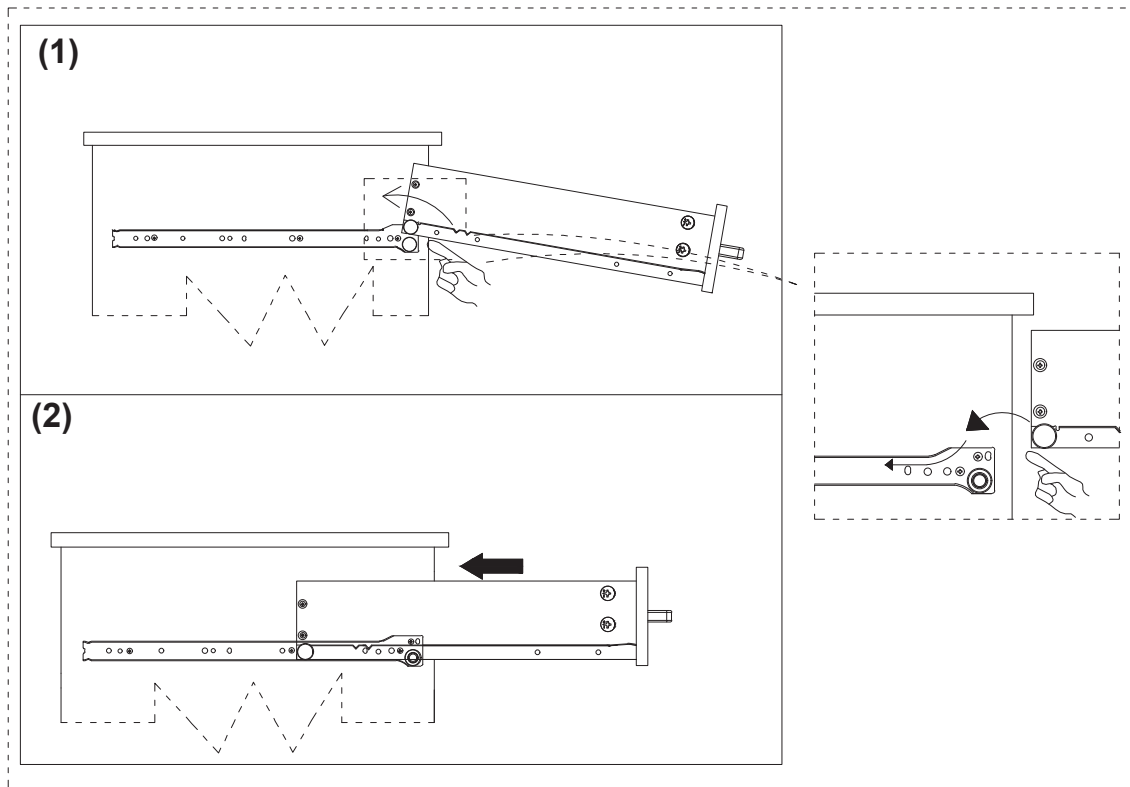
L x12
Ø15mm



G-1

G-2

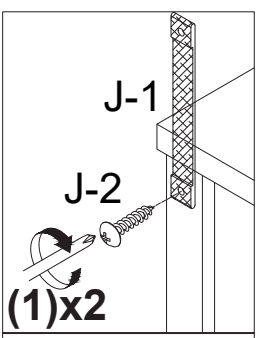
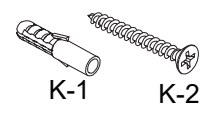
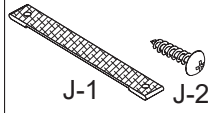




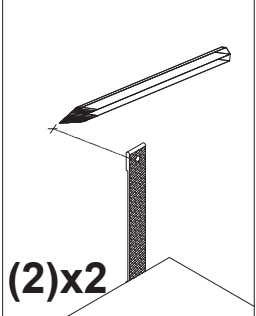
The drawer is different,
please install it strictly
according to the number
shown.

J x2

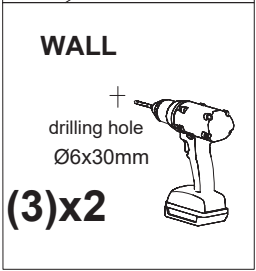
K x2



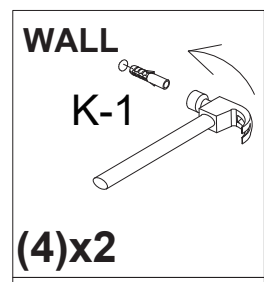
First fix the anti-rewind screw in the reserved hole of the product.



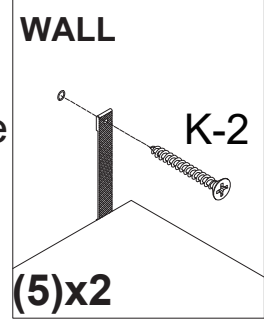
then, use a ruler to measure the approximate height of the product on the wall, and then mark it with a pen.



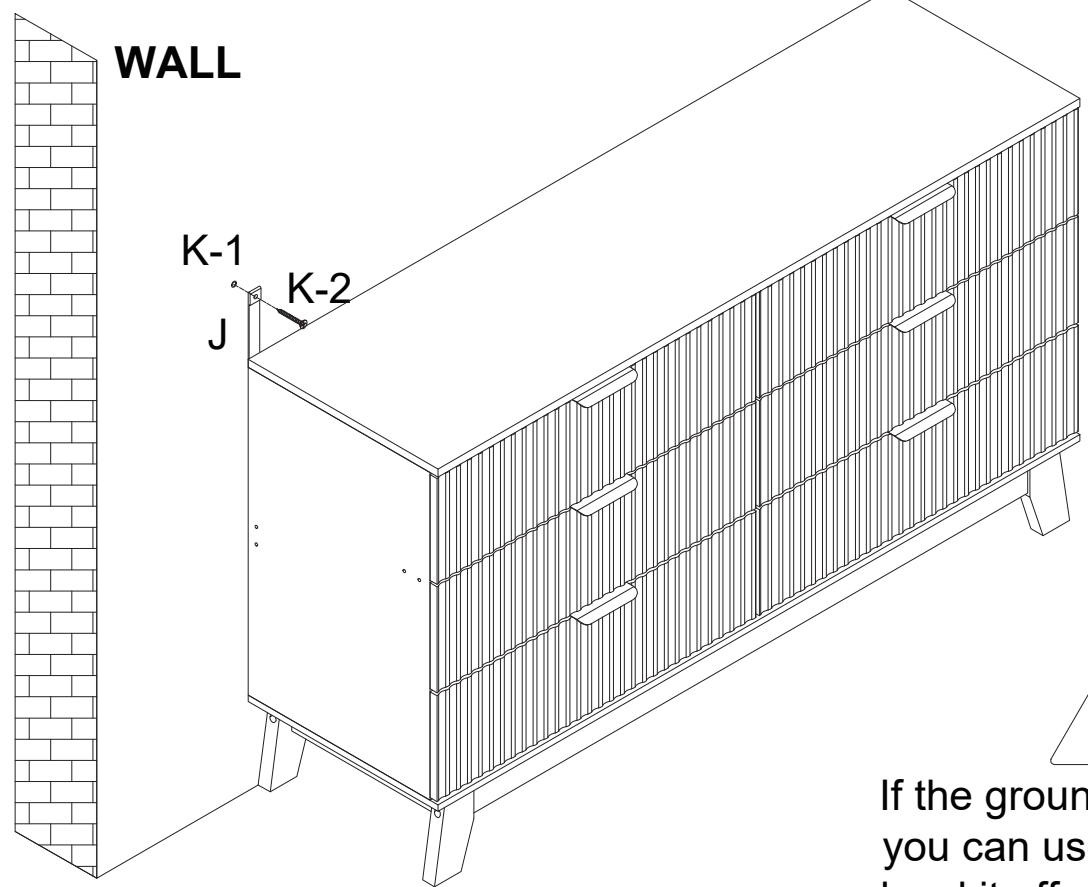
Then use a tape drill to make holes in the wall that are suitable for the product screws.



Then, put the expansion bolt into the hole



Finally, pass the matching screws through the "anti-rewind" and tighten them to fix them on the wall.



If the ground is uneven, you can use foot padw to level it off.