





ASSEMBLY INSTRUCTIONS

IMPORTANT NOTE :

- * PLACE ALL WOODEN PARTS ON A CLEAN AND SMOOTH SUCH AS A RUG OR CARPET TO AVOID THE PARTS FROM BEING SCRATCHED.
- * BEFORE YOU BEING, KINDLY FOLLOW THE ASSEMBLY INSTRUCTIONS STEP BY STEP.
- * DO NOT TIGHTEN ALL SCREWS UNTIL THE CHAIR IS FULLY SET-UP.

| HARDWARE LIST | | PART LIST | | |
|---------------|--|-----------|--------------|------|
| A | JCBC M6 x 80mm + S/W M6 + F/W M6 x 19mm  | 4PCS | 1 CHAIR BACK | 1PC |
| B | JCBC M6 x 50mm + S/W M6 + F/W M6 x 19mm  | 4PCS | 2 FRONT LEG | 2PCS |
| C | JCBC M6 x 40mm + S/W M6 + F/W M6 x 19mm  | 2PCS | 3 BOX SEAT | 1PC |
| D | ALLEN KEY M4  | 1PC | | |

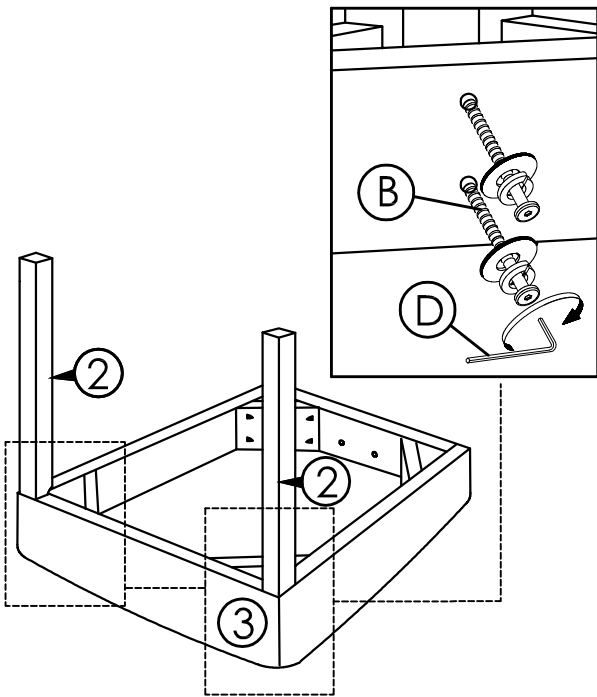
CAUTIONS :

(1) DO NOT FULLY-TIGHTEN THE NUT OR NUT BOLTS INITIALLY UNTIL ALL NUTS OR BOLT IS READY ASSEMBLED.

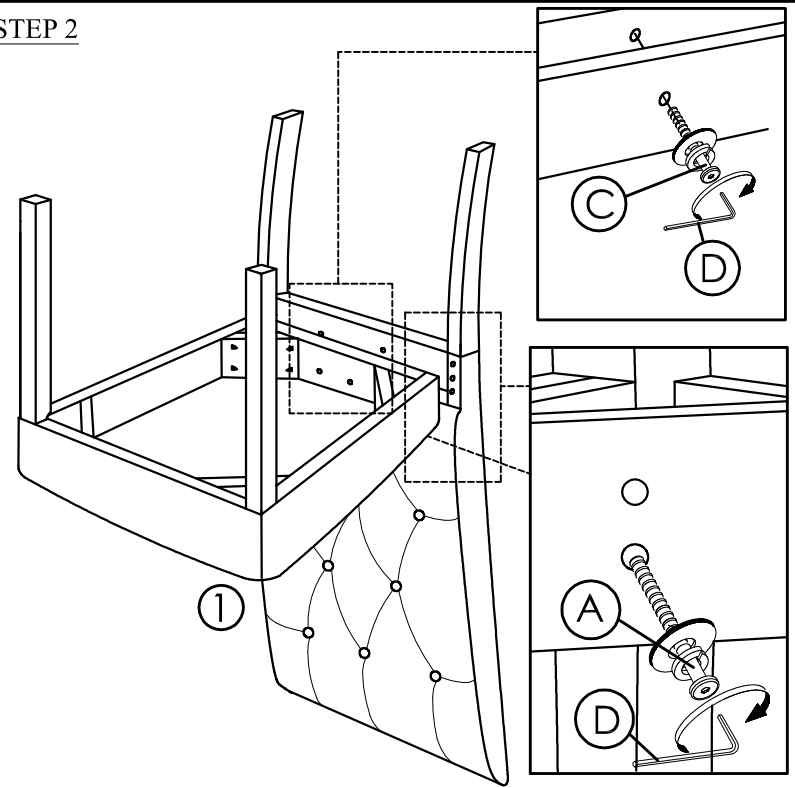
(TO AVOID CAUSING DAMAGES TO THE THREAD, DO NOT OVER-TIGHTEN THE NUTS OR BOLTS.)

(2) KEEP ALL HARDWARE PART OUT OF REACH OF CHILDREN.

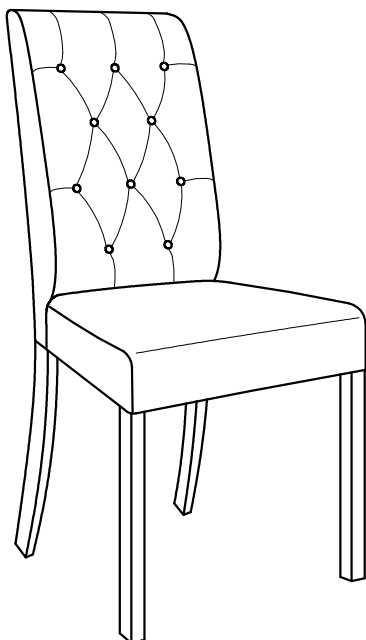
STEP 1



STEP 2



STEP 3



COMPLETED CHAIR ASSEMBLY.