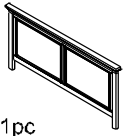
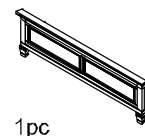
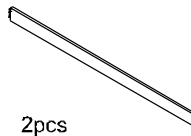
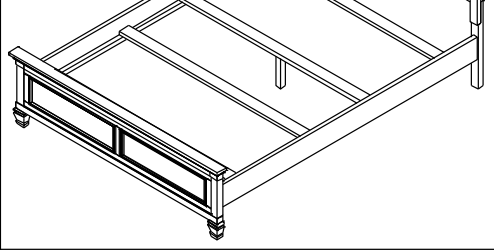


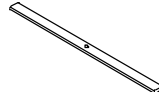
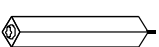




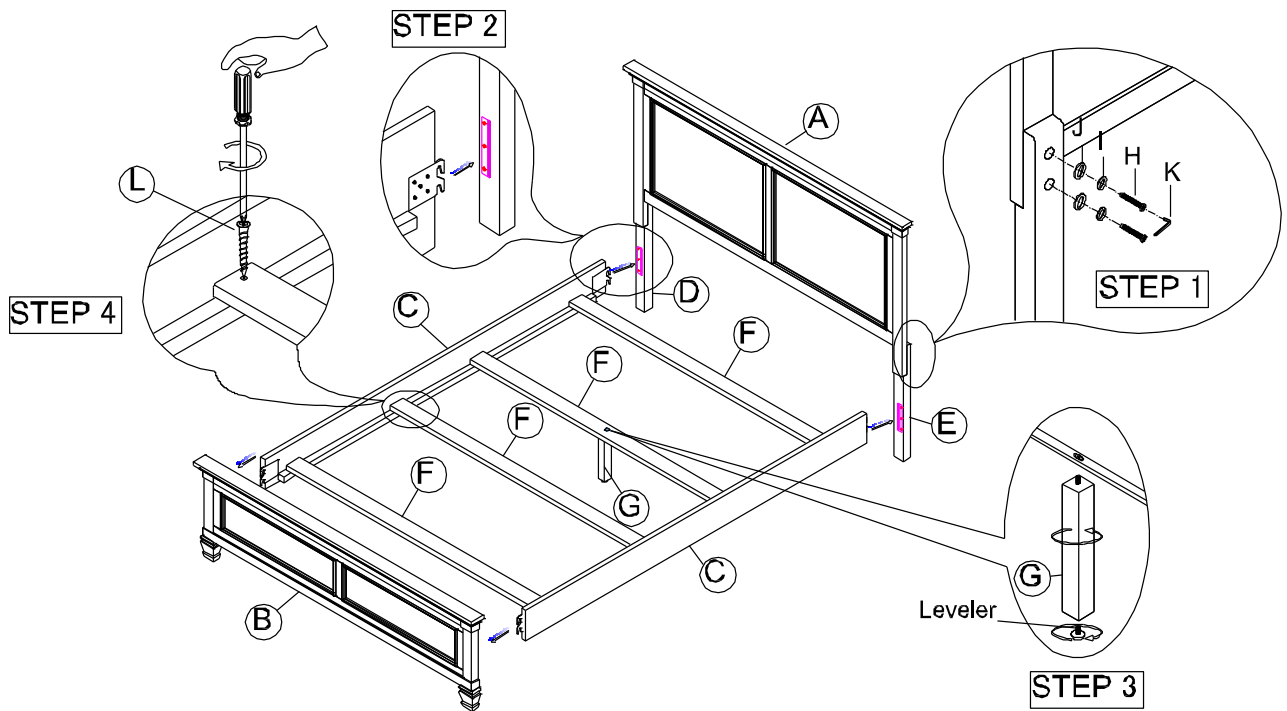


# Queen Storage Bed Assembly Instructions

## Components and Hardware list

<b>Headboard</b>  (A) 1pc	<b>Footboard</b>  (B) 1pc	<b>Side Rail</b>  (C) 2pcs			
<b>Left Post</b>  (D) 1pc	<b>Right Post</b>  (E) 1pc	<b>Slat</b>  (F) 4pcs			<b>Center Leg With leveler</b>  (G) 1pc
<b>Short Bolt</b> Ø5/16"x1-3/4"L  (H) 4pcs	<b>Spring Washer</b> Ø5/16"  (I) 4pcs	<b>Flat Washer</b> Ø5/16"x19mm  (J) 4pcs			<b>Allen Wrench</b> 4mm  (K) 1pc



**STEP 1:** Attach the Left and Right post(D&E) to the Headboard(A) using the Flat Washer(J), Spring Washer(I) and 1-1/2" long Bolt(H) Tighten all bolts using the Allen Wrench(K)

**STEP 2:** Gently lean the assembled Headboard against the wall where the Bed will be located Attach Side Rail(C) to Headboard(A) and Footboard(B) Using the tieback grapple

**STEP 3:** Attach the Center Leg(G) on bottom side of the three Slats(F) ;

**STEP 4:** Attach Slats(F) to the Side Rails with Screw(L) And Your screwdriver at both ends of slats.

TO PREVENT UNDUE STRESS TO THE BED ALWAYS DISASSEMBLE THE BED TO MOVE FROM ONE

LOCATION TO ANOTHER