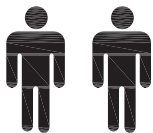
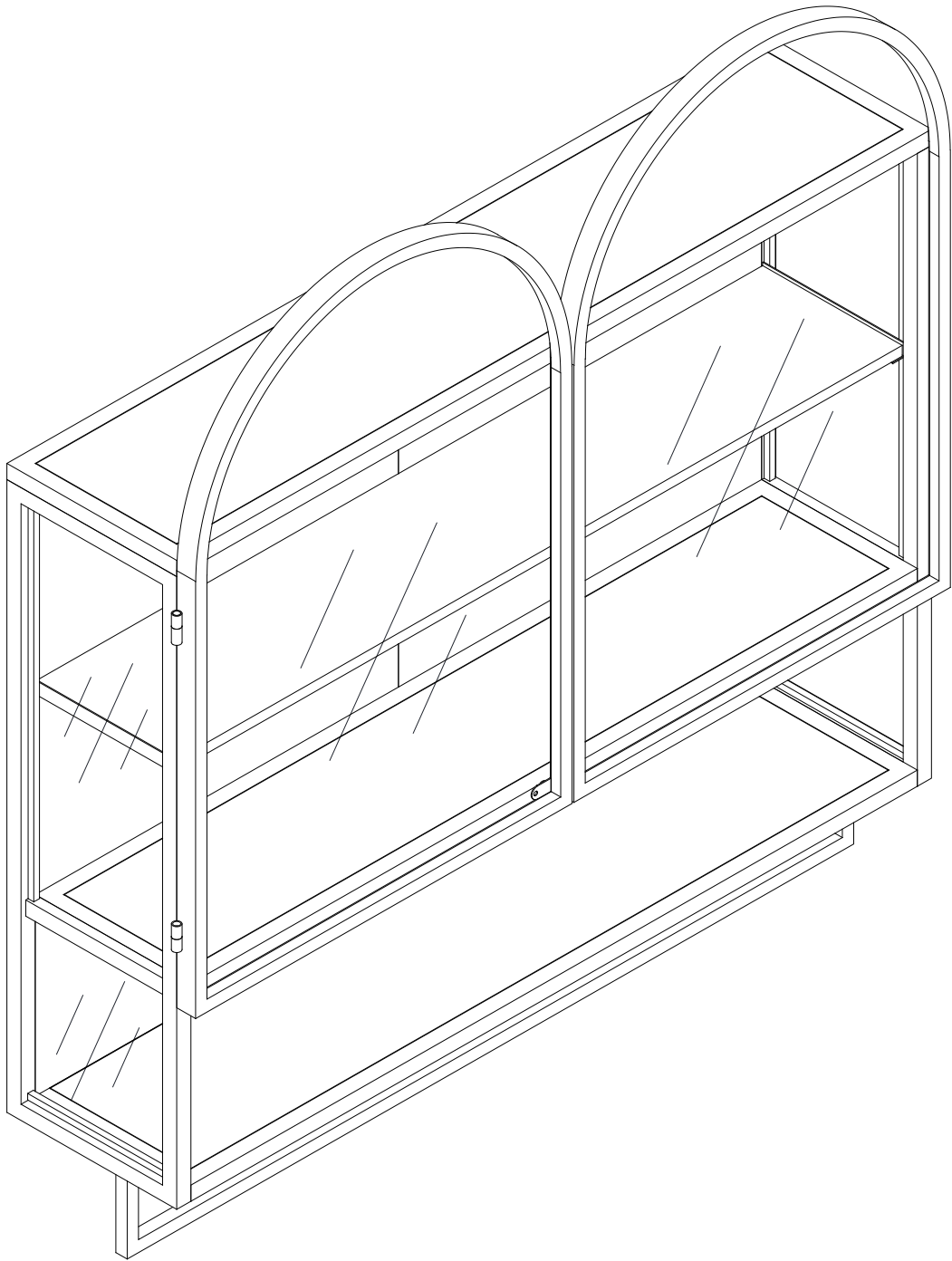


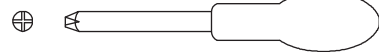
ASSEMBLY INSTRUCTION



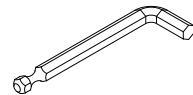
2 PERS



40 MIN



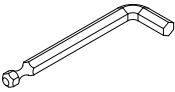
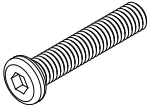
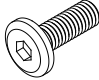
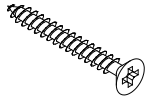
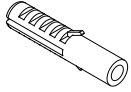
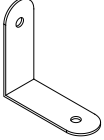
Pozi Screwdriver(Not Provided)



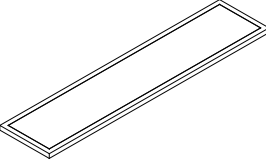

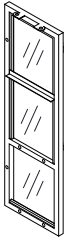
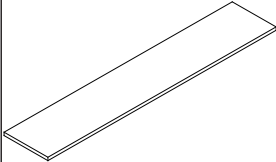
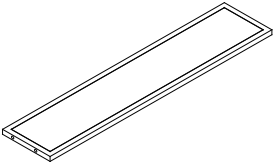
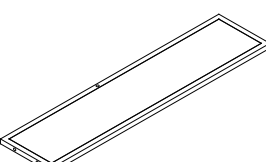
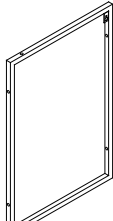
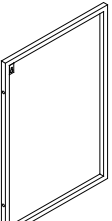
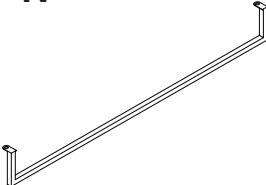
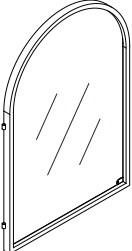
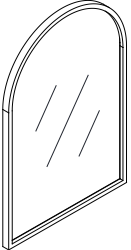
Hexagonal wrench(Provided)

Assembly Instruction

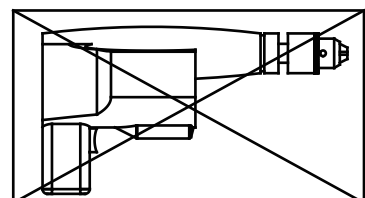
HARDWARE LIST

A 	B  M6x25mm	C  M6x10mm	D  M4x30mm	E 
1 PC	16 PCS	6 PCS	4 PCS	4 PCS
Q 				
2 PCS				

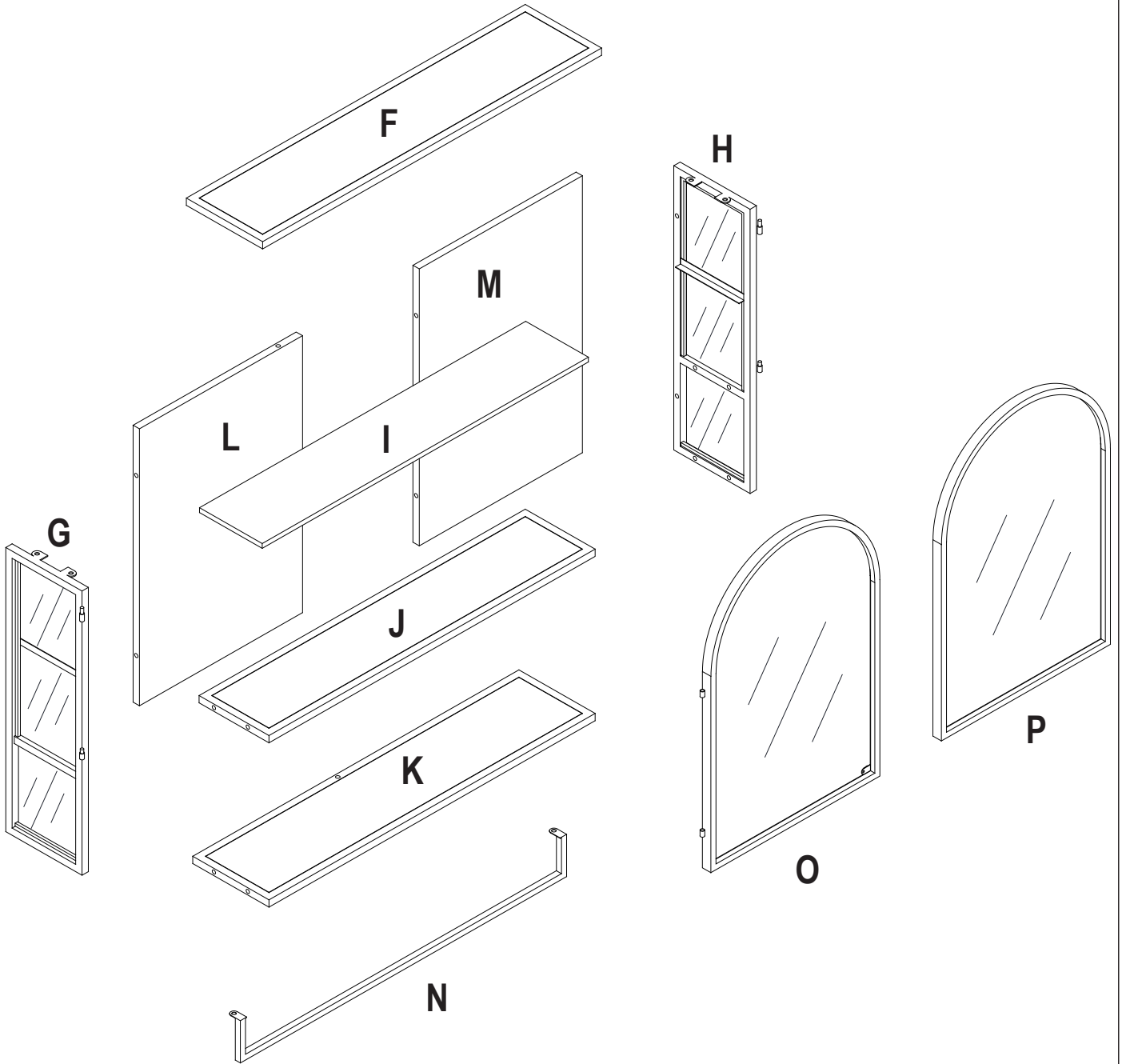
PART LIST

F 	G 	H 	I 	J 
1 PC	1 PC	1 PC	1 PC	1 PC
K 	L 	M 	N 	O 
1 PC	1 PC	1 PC	1 PC	1 PC
P 				
1 PC				

● Do not use power tools to assemble your furniture.
Power tools may strip or damage the parts.

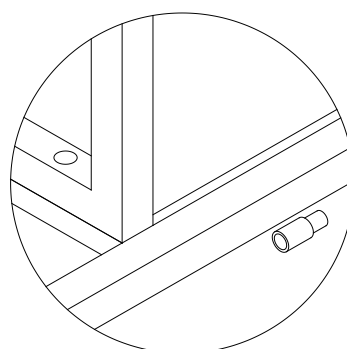
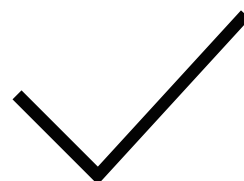
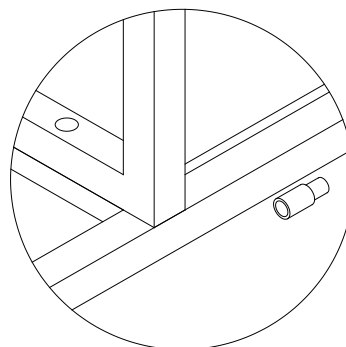
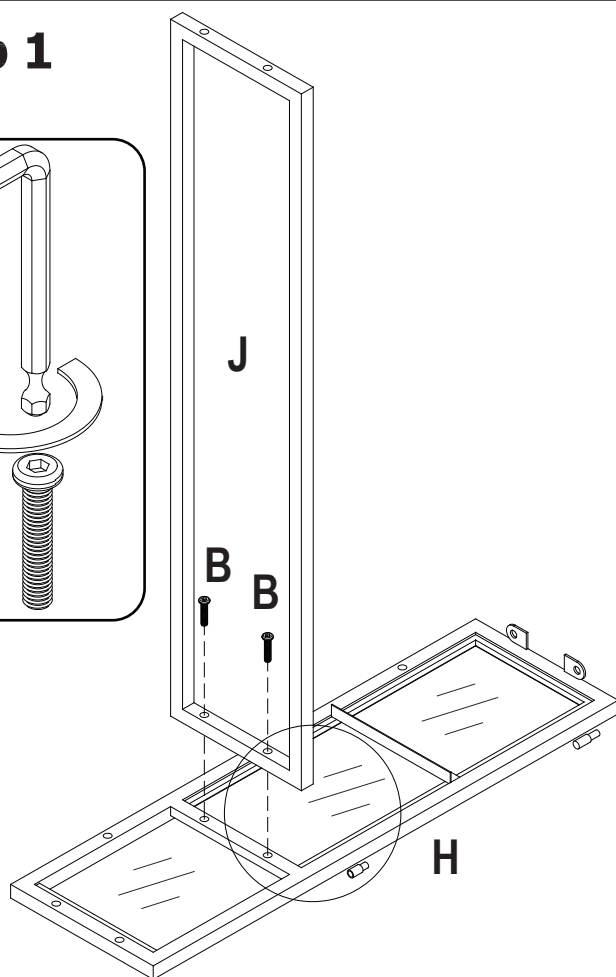
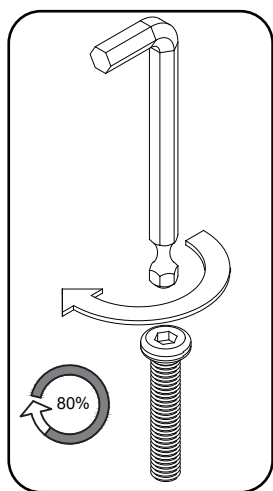


Explosive View



IMPORTANT NOTE: DO NOT tighten all screws and bolts until completely assembled

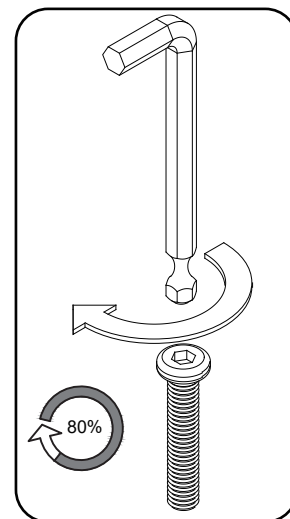
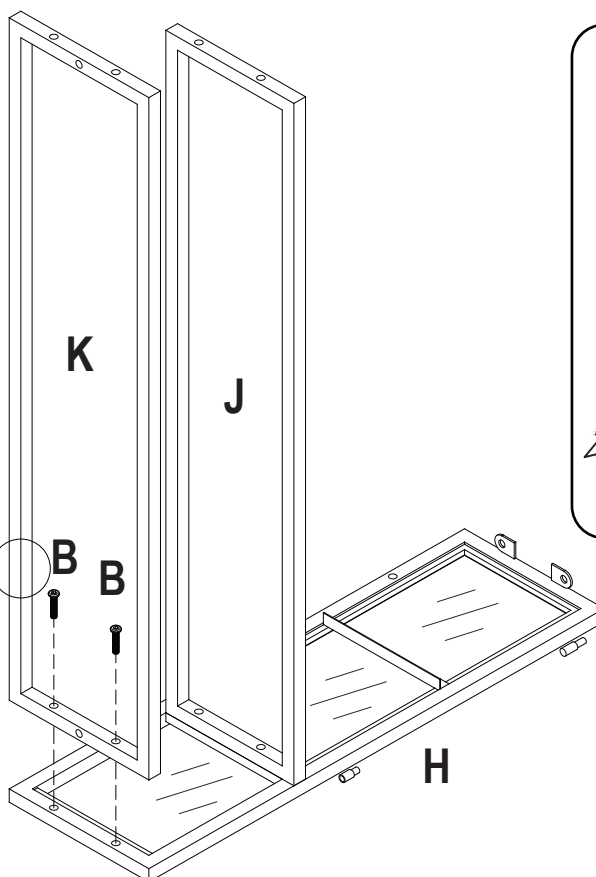
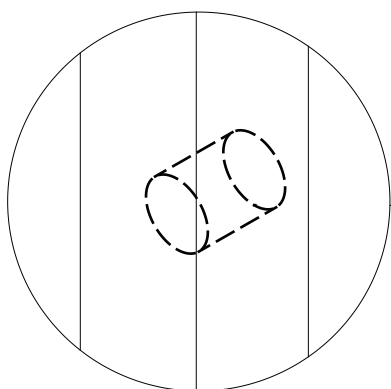
Step 1



B X 2 PCS

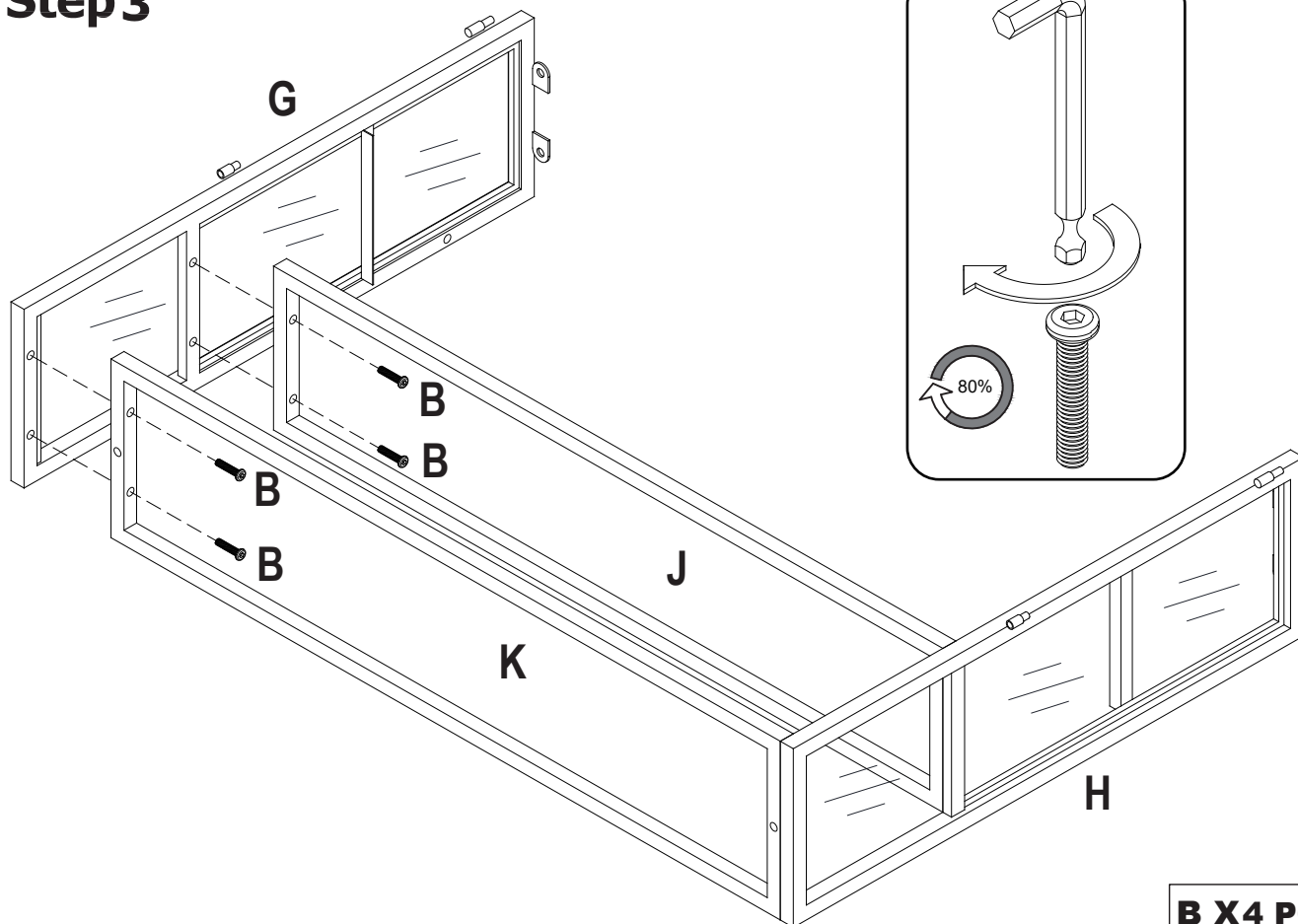
A X 1 PC

Step 2



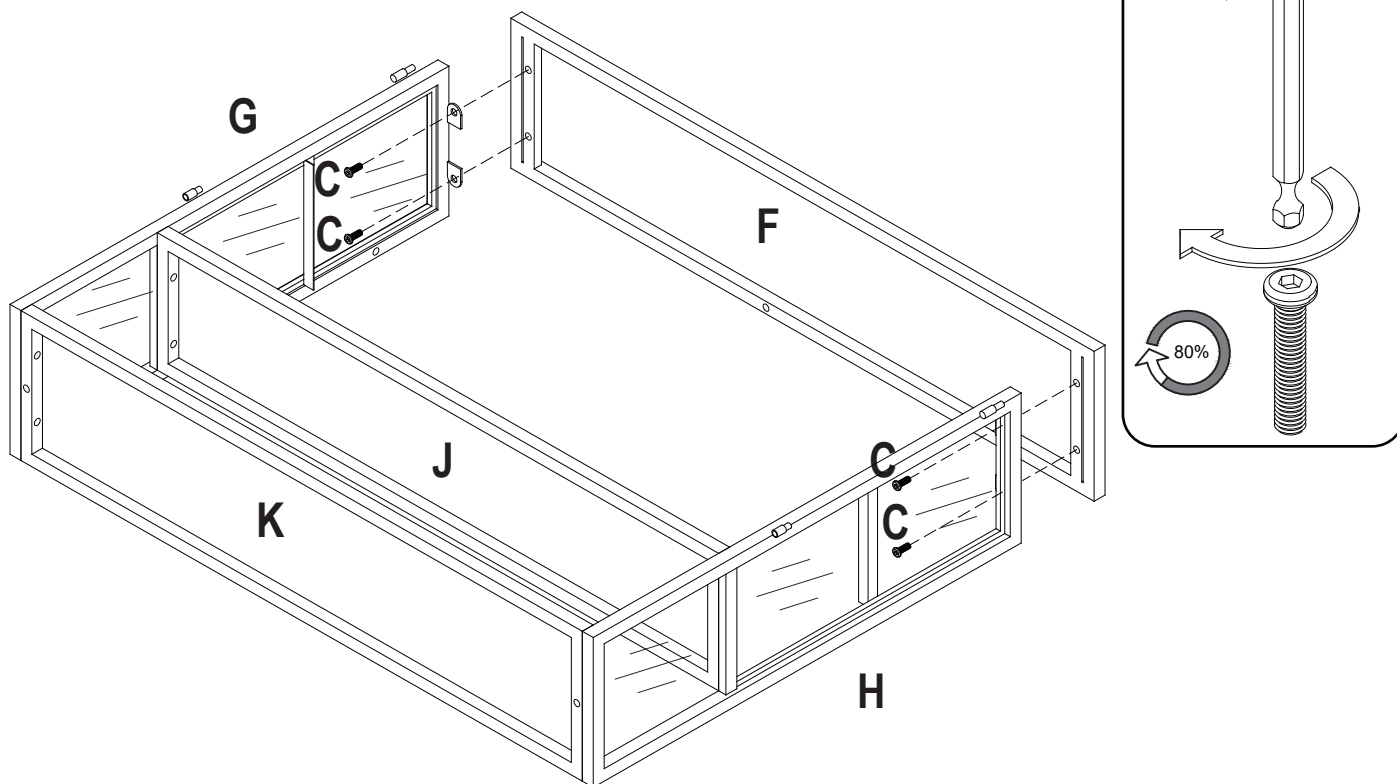
B X 2 PCS

Step 3



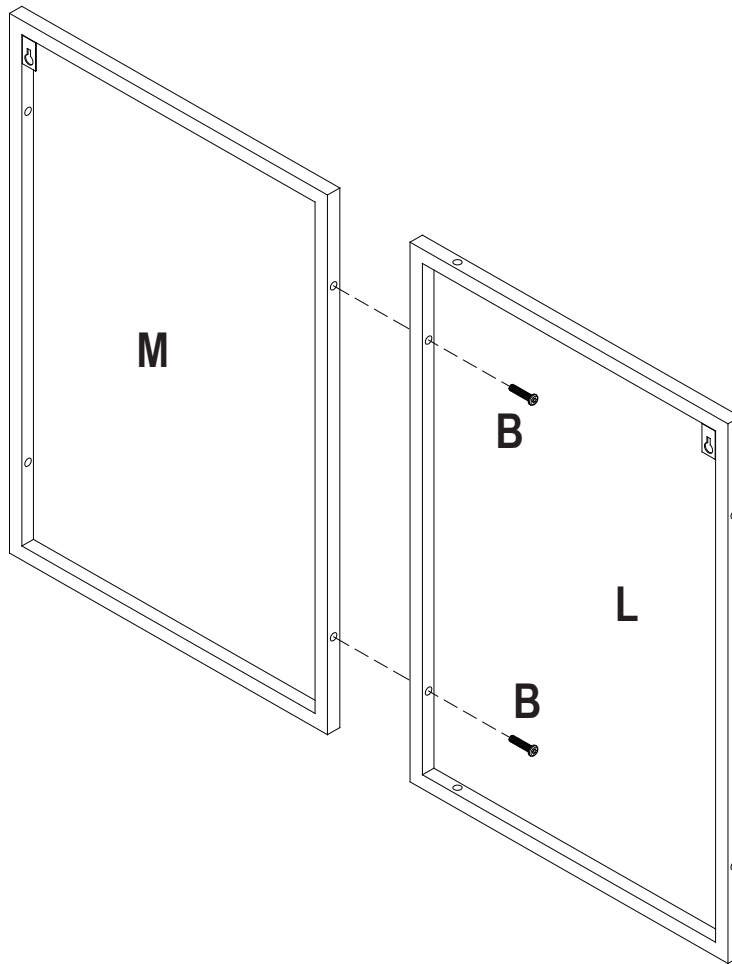
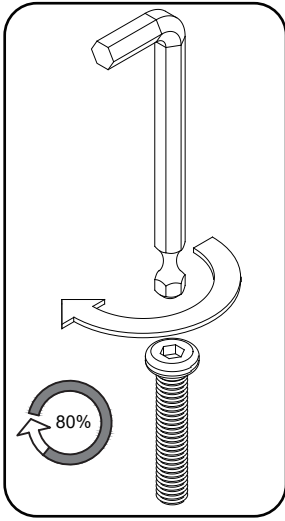
B X4 PCS

Step 4



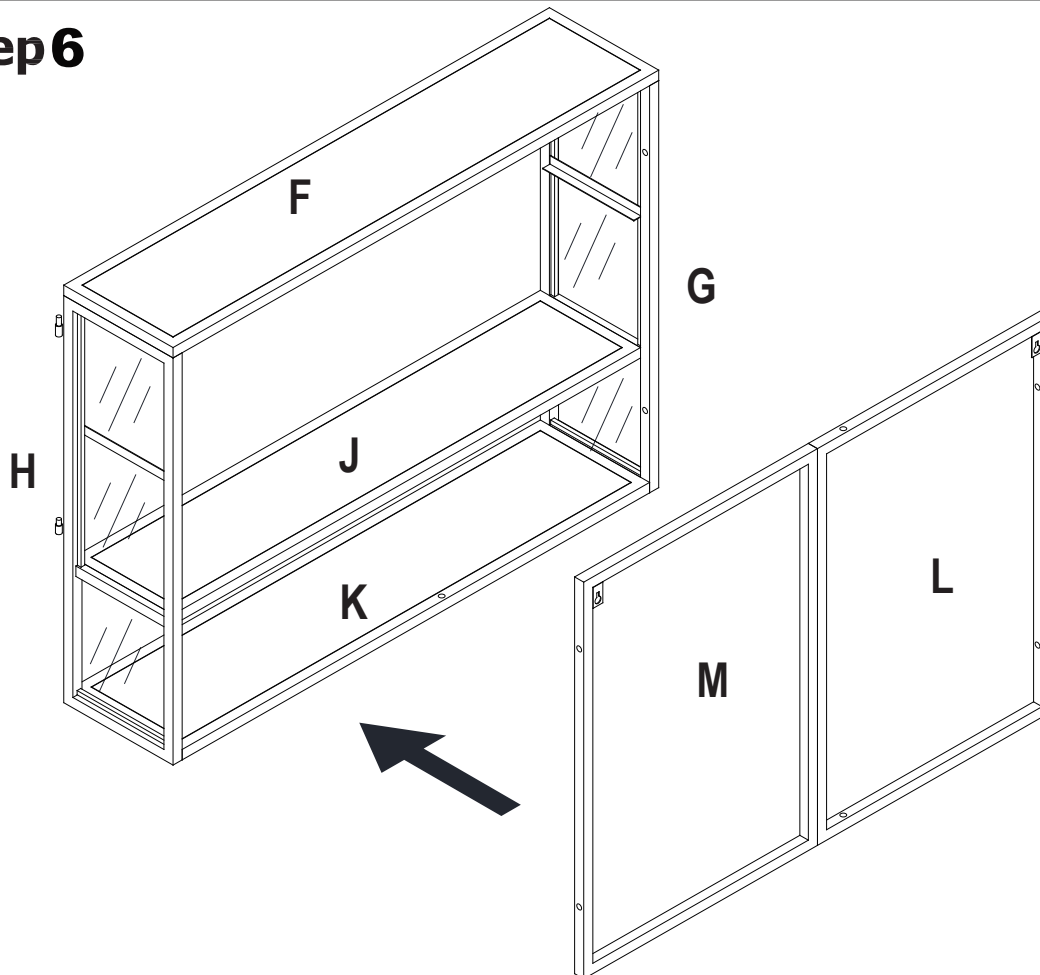
C X4 PCS

Step 5

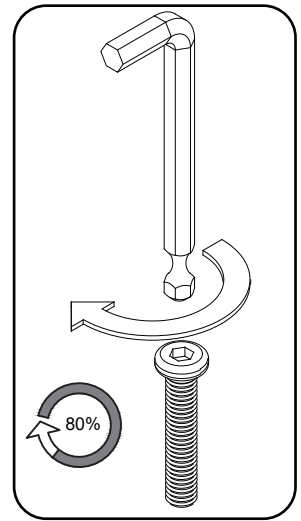
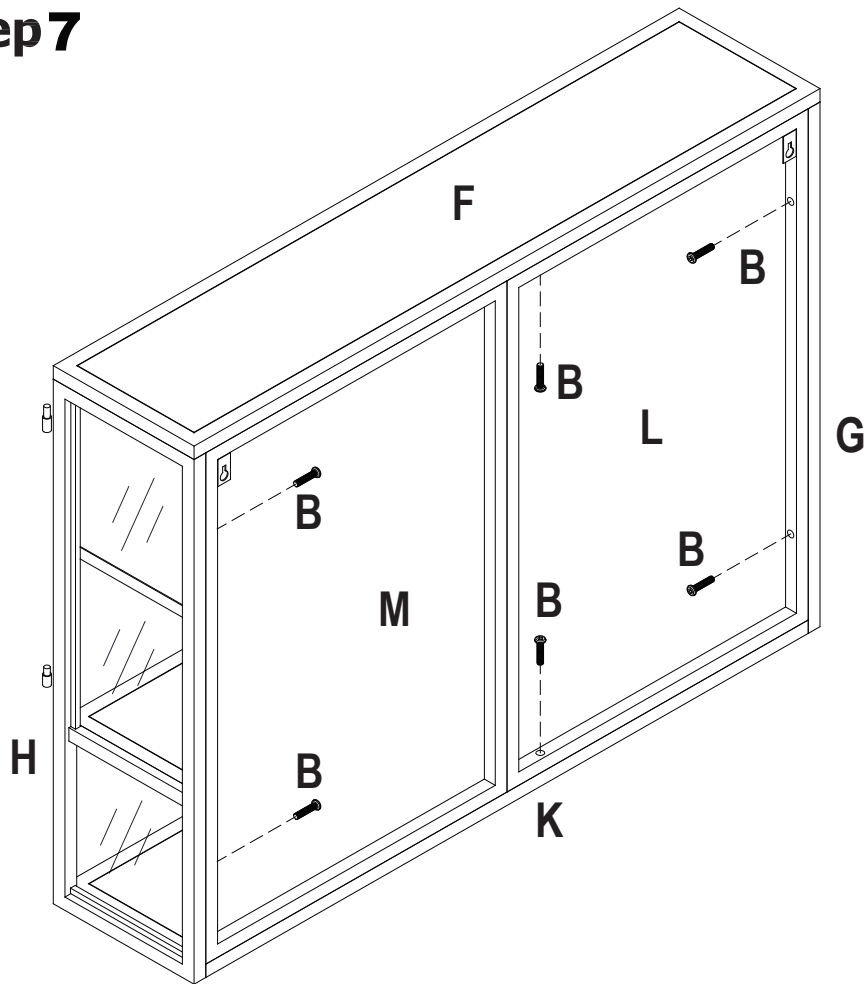


B X2 PCS

Step 6

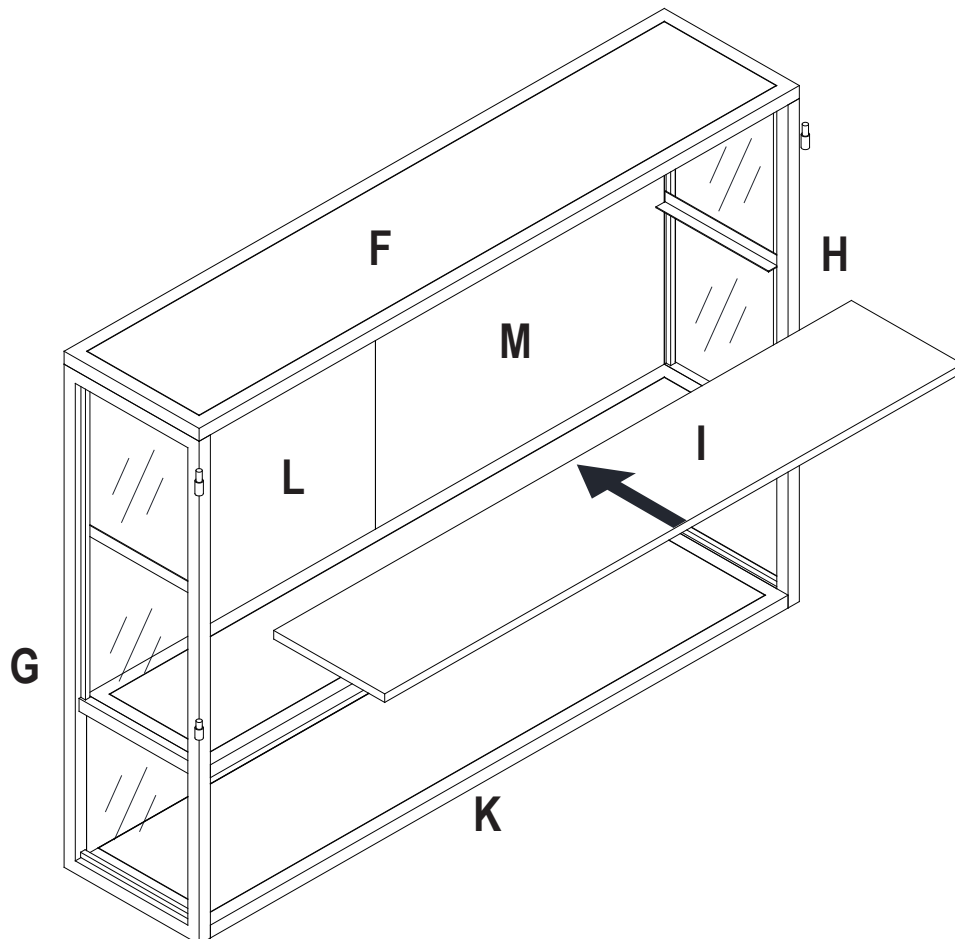


Step 7

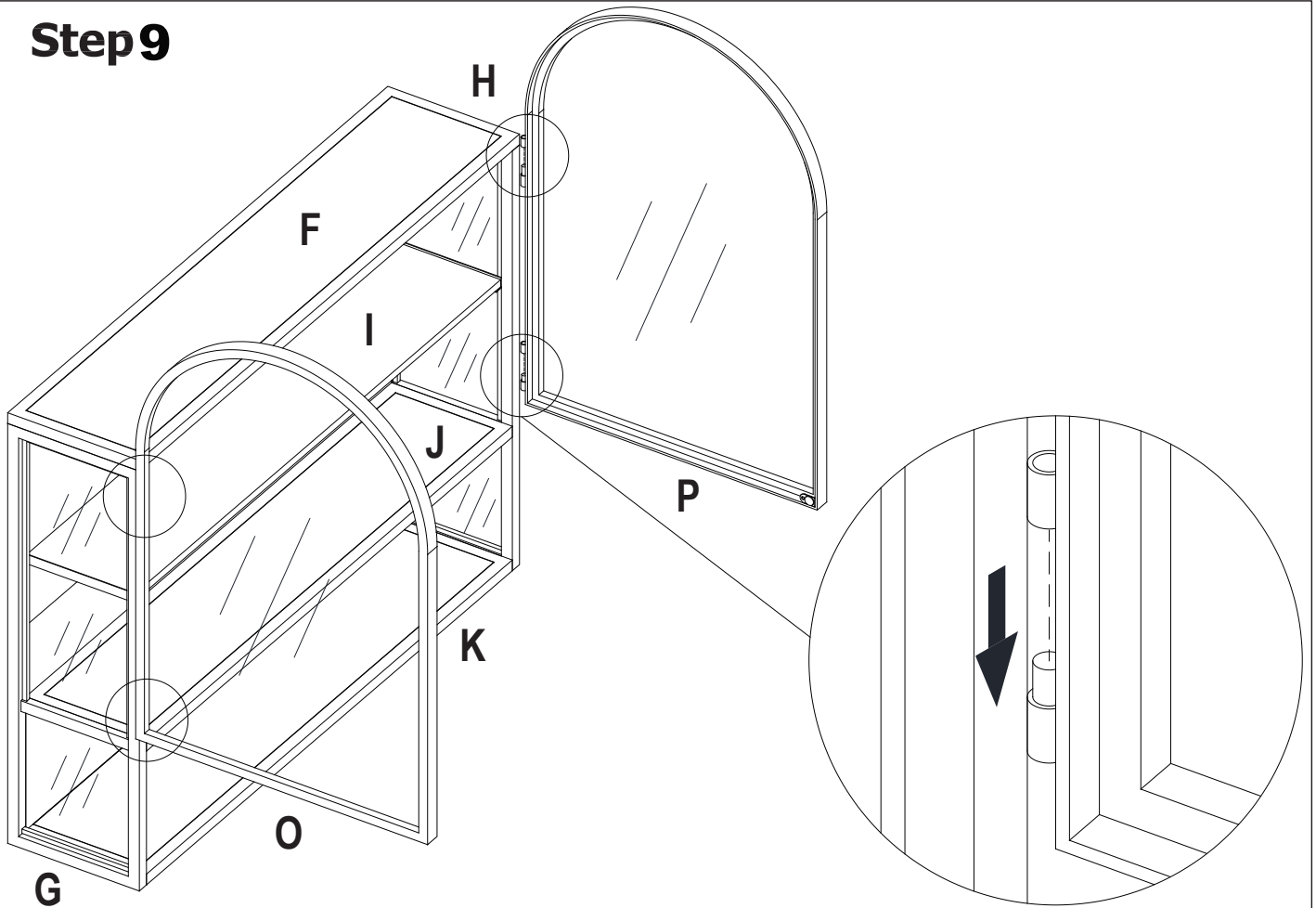


B X 6 PCS

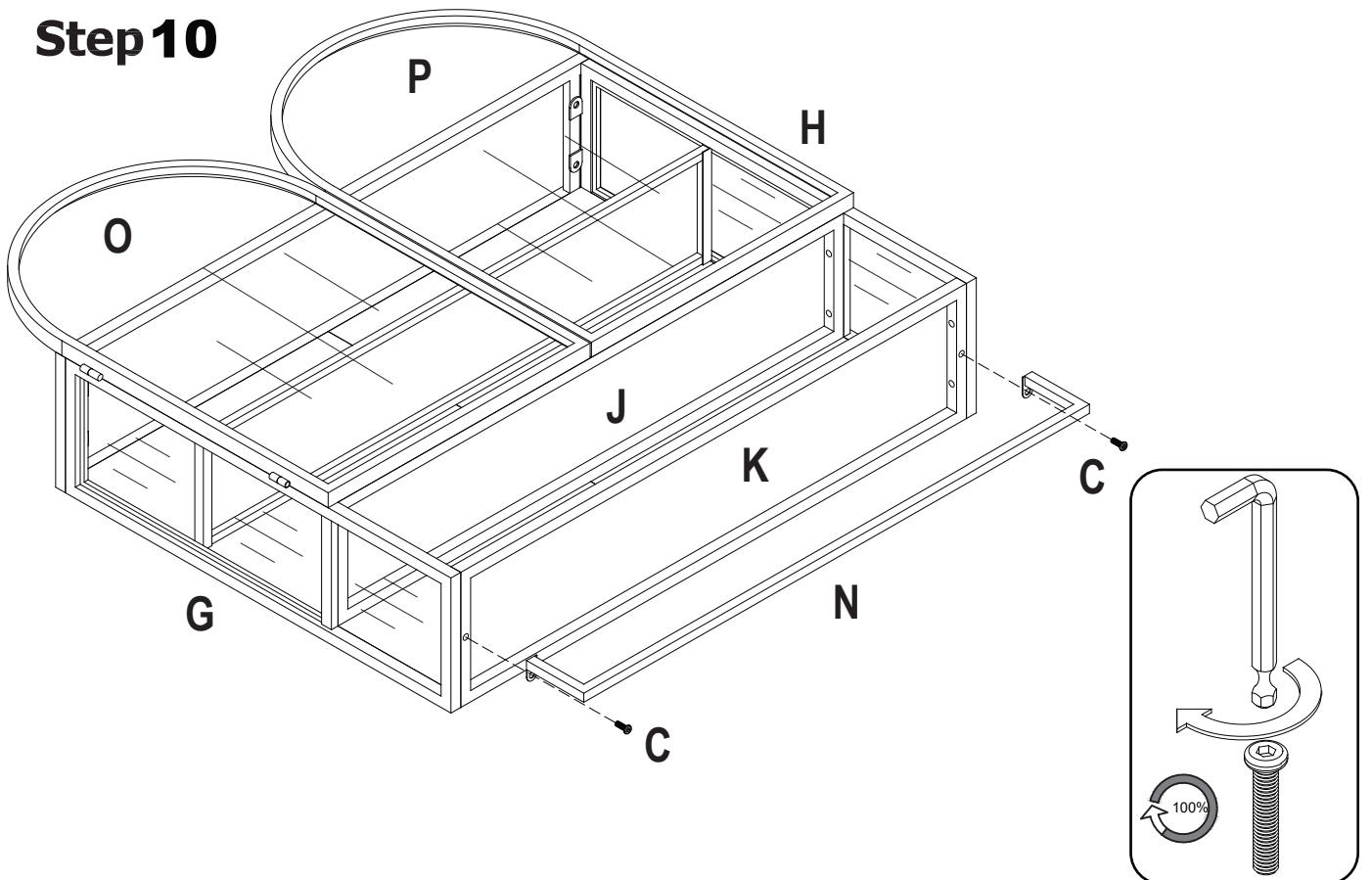
Step 8



Step 9



Step 10

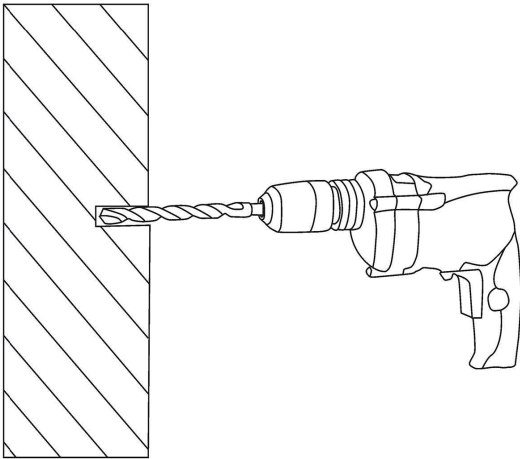


NOTE:AFTER ASSEMBLY,PLEASE MAKE SURE THAT ALL SCREWS ARE 100% LOCKED

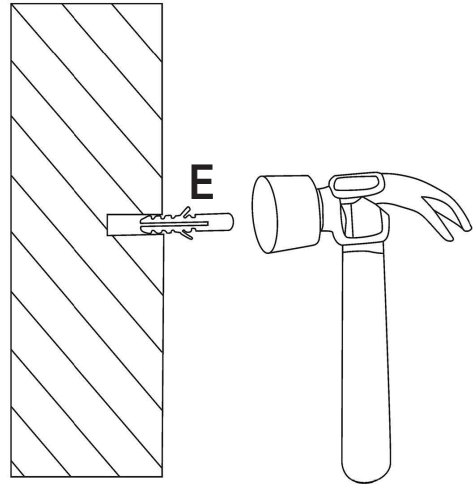
C X 2 PCS

Step 11

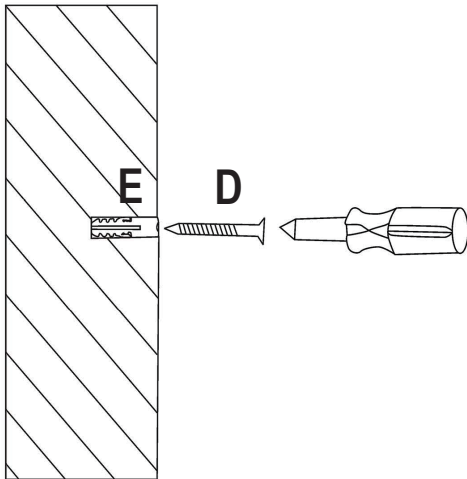
①



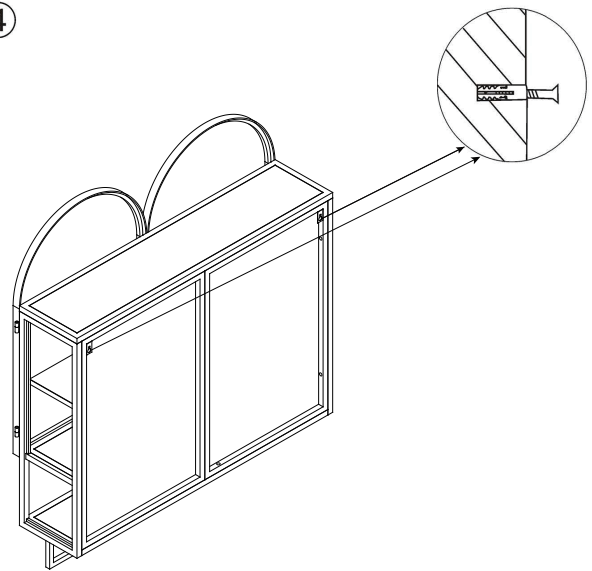
②



③



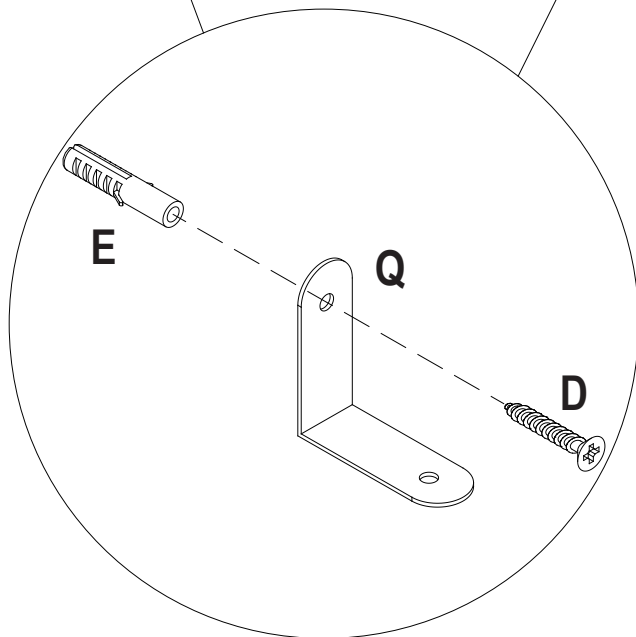
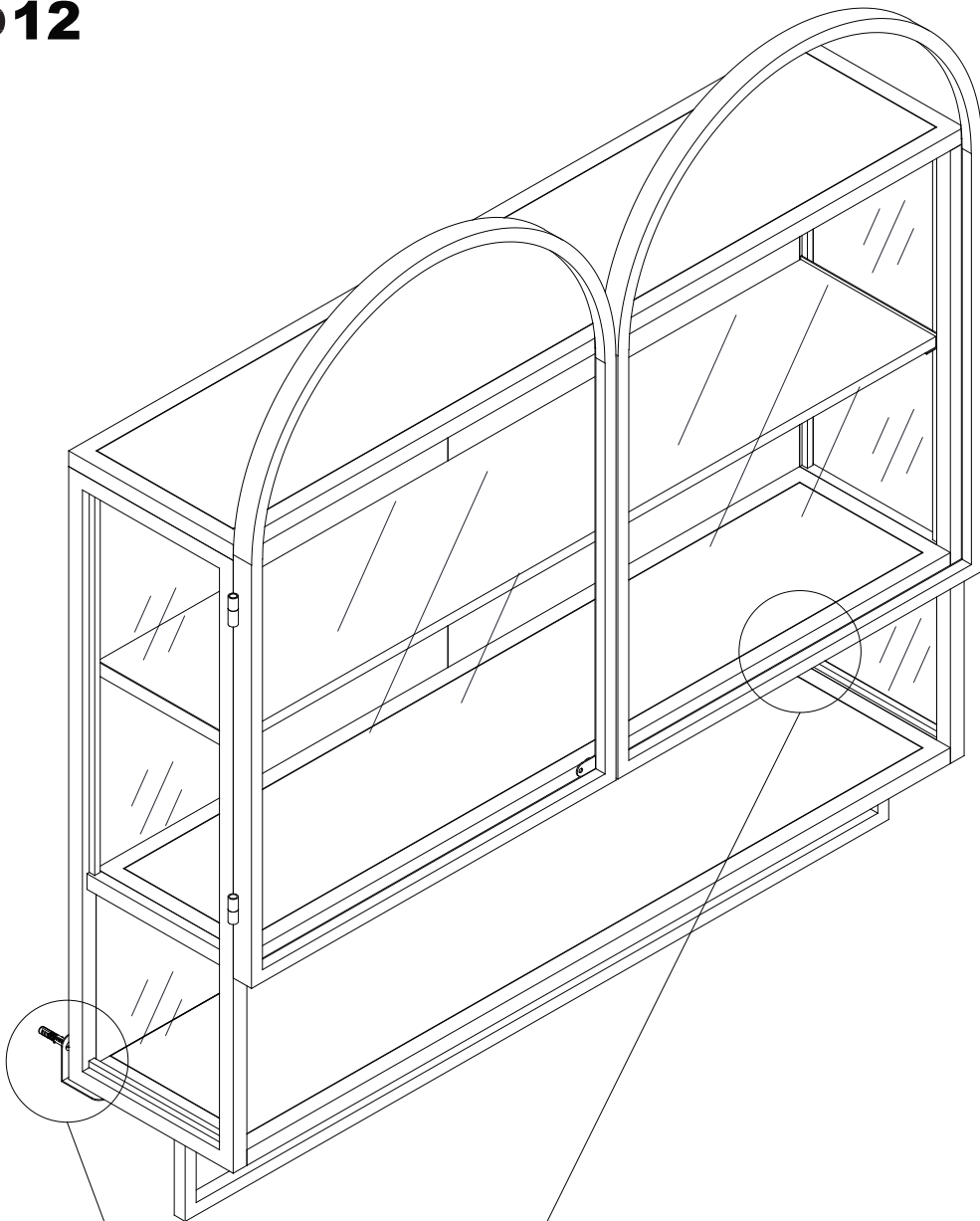
④



D X 2 PCS

E X 2 PCS

Step 12



- | |
|------------------|
| D X 2 PCS |
| E X 2 PCS |
| Q X 2 PCS |