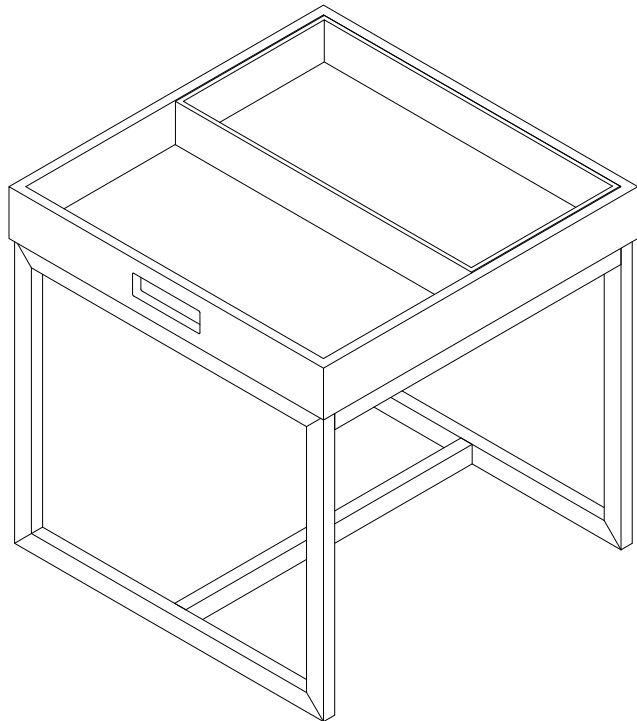
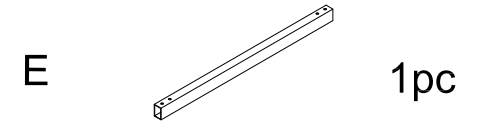
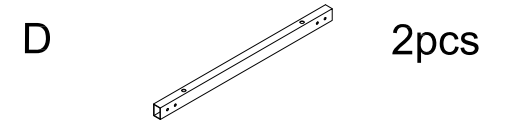
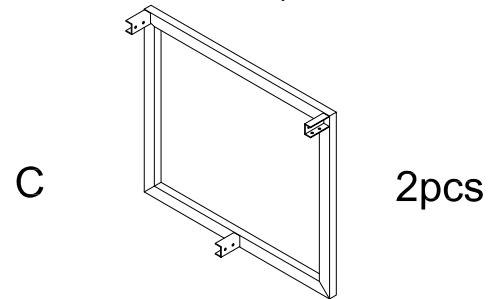
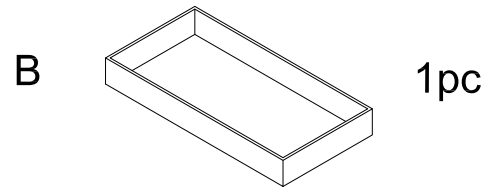
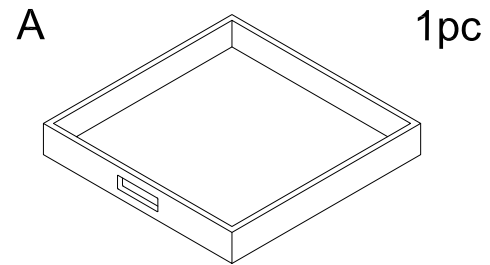


ASSEMBLY INSTRUCTION





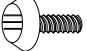


Do not tighten screws until completely assembled.

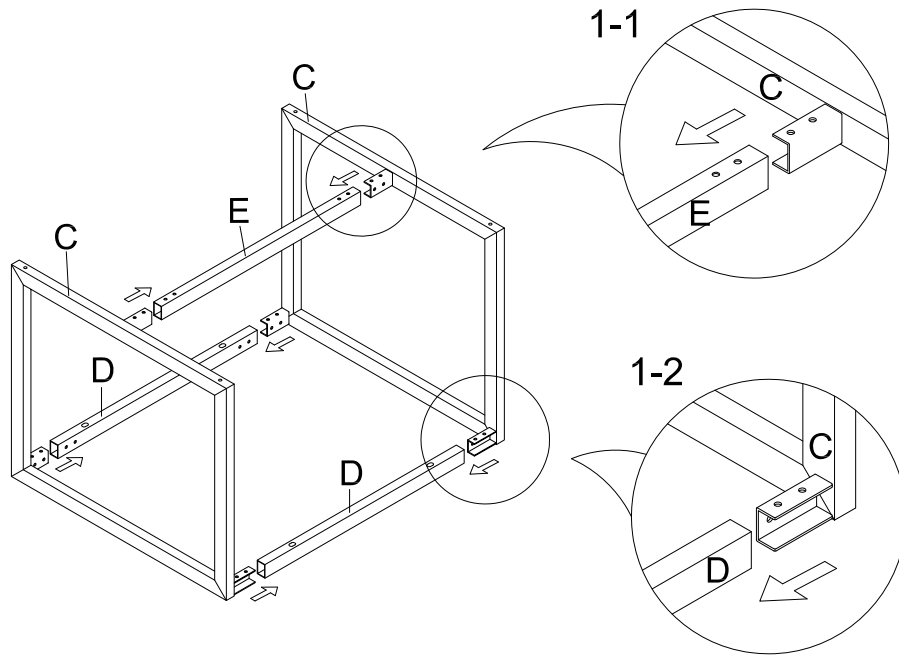
PARTS IDENTIFICATION



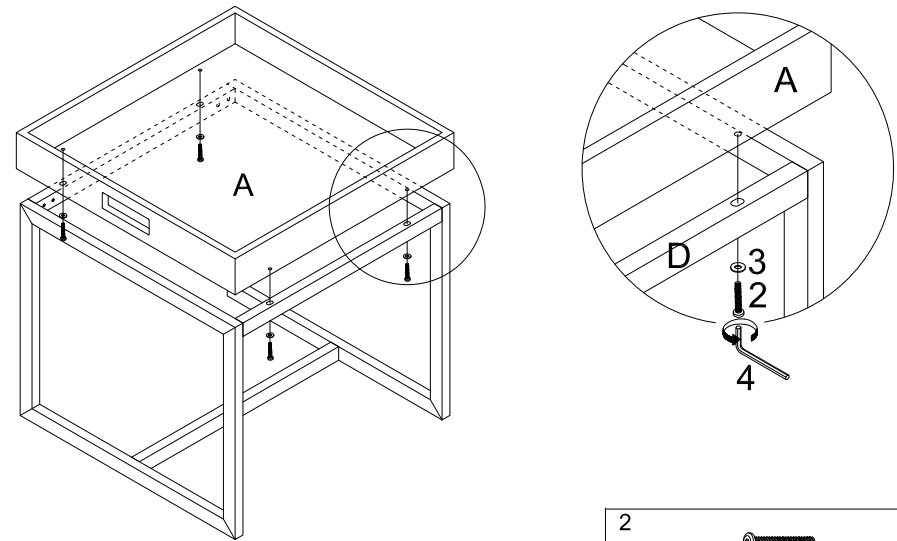
HARDWARE LIST



| | | | | | |
|------------|---|------------|--|-----------------|--|
| 1 M6x10 |  12pcs | 2 M6x40 |  4pcs | 3 Ø16xØ7x1.0 |  4pcs |
| 4 4x4 |  1pc | 5 M6x16 |  4pcs | | |

STEP 1.

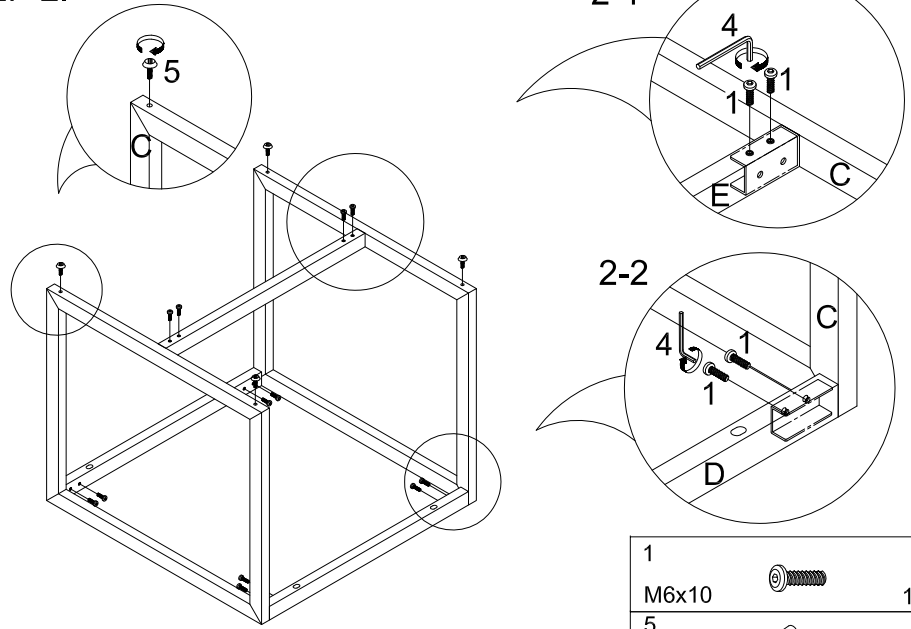




STEP 3.



| | | | |
|---|------------|---|------|
| 2 | M6x40 |  | 4pcs |
| 3 | Ø16xØ7x1.0 |  | 4pcs |

STEP 2. 2-3



| | | | |
|---|-------|---|-------|
| 1 | M6x10 |  | 12pcs |
| 5 | M6x16 |  | 4pcs |

STEP 4.

