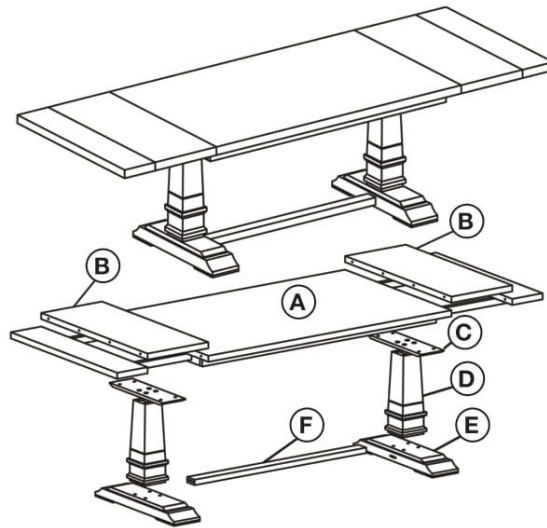


ASSEMBLY INSTRUCTIONS | EXTENSION DINING TABLE

PARTS CHECKLIST

A	Table Top (1pc)
B	Extension Leaf (2pcs)
C	Leg Top (2pcs)
D	Center Leg (2pcs)
E	Base (2pcs)
F	Stretcher (1pc)

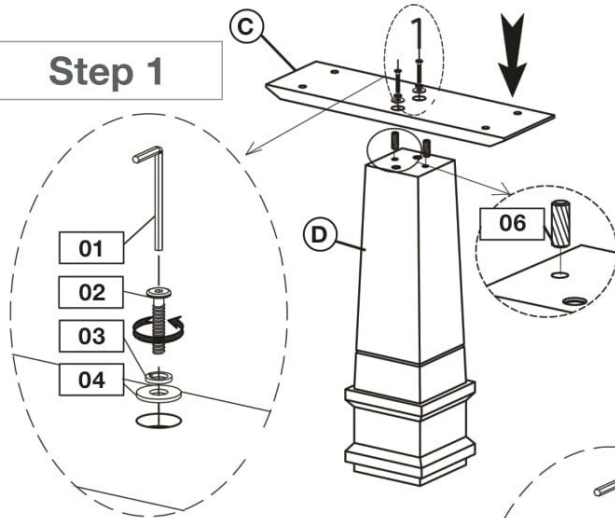
Please do not discard any packaging until you have checked that all the parts and hardware are present.



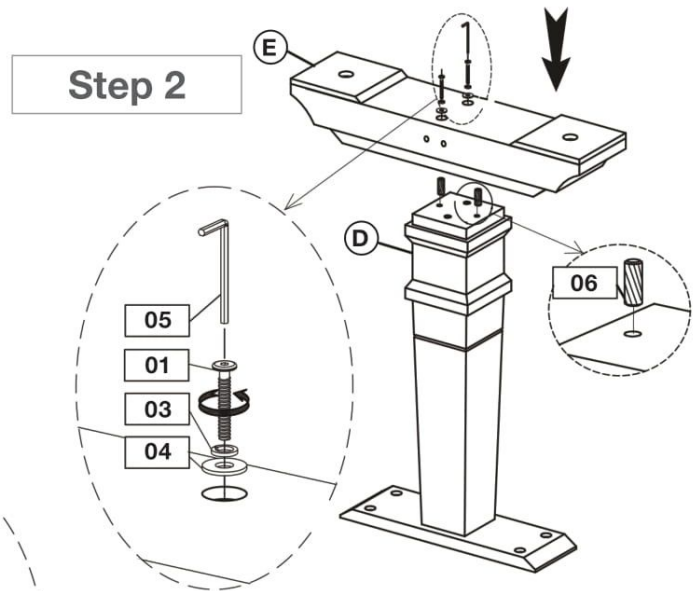
HARDWARE CHECKLIST

01		Long Allen Bolt (4pcs)
02		Short Allen Bolt (12pcs)
03		Spring Washer (16pcs)
04		Flat Washer (16pcs)
05		Allen Key (1pc)
06		Dowel (16pcs)
07		Cap Bolt (2pcs)
08		U-Washer (2pcs)

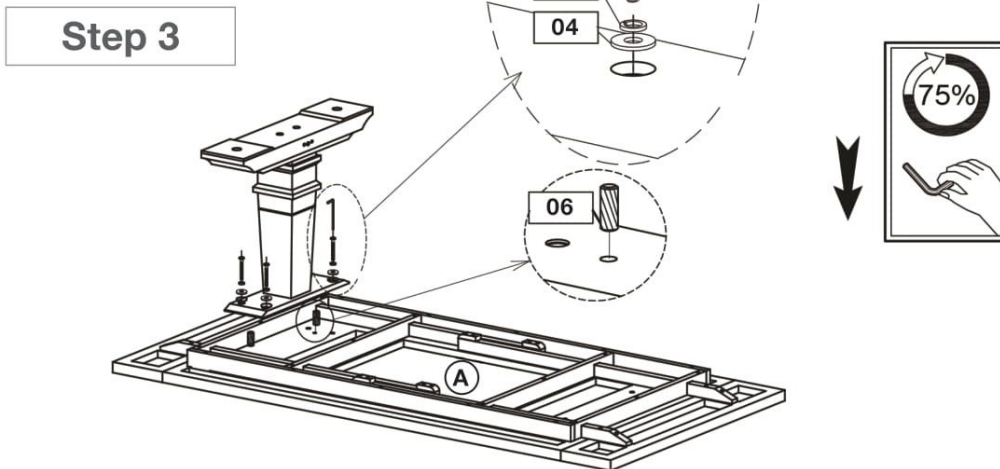
Step 1



Step 2

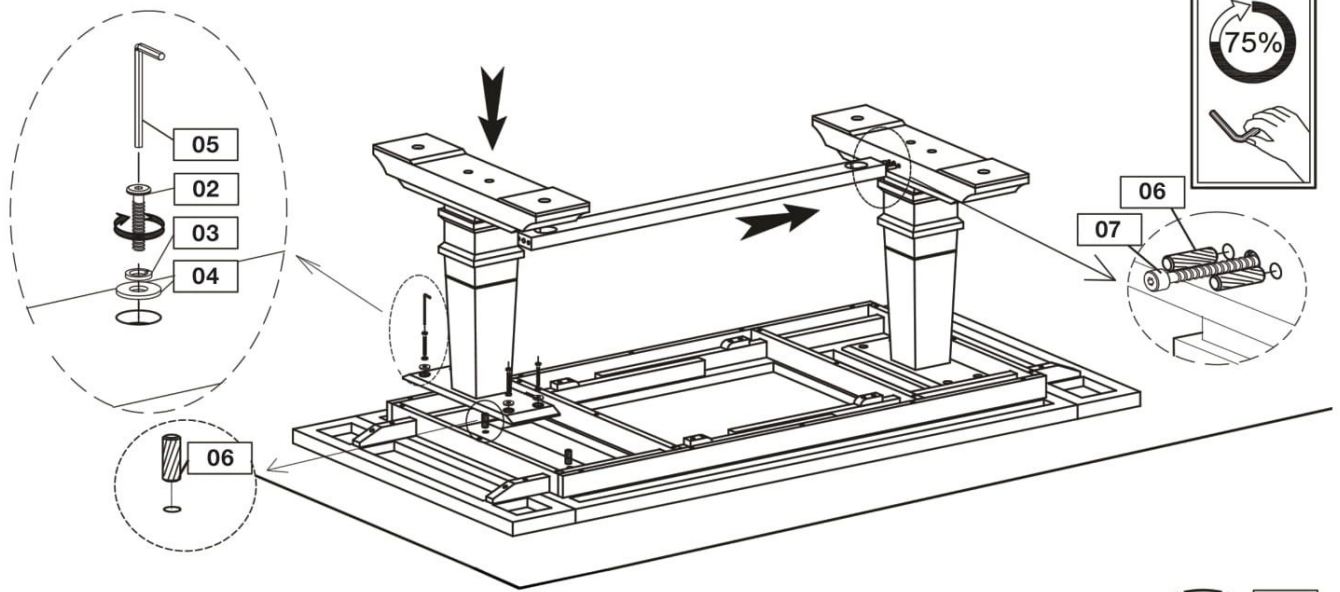


Step 3

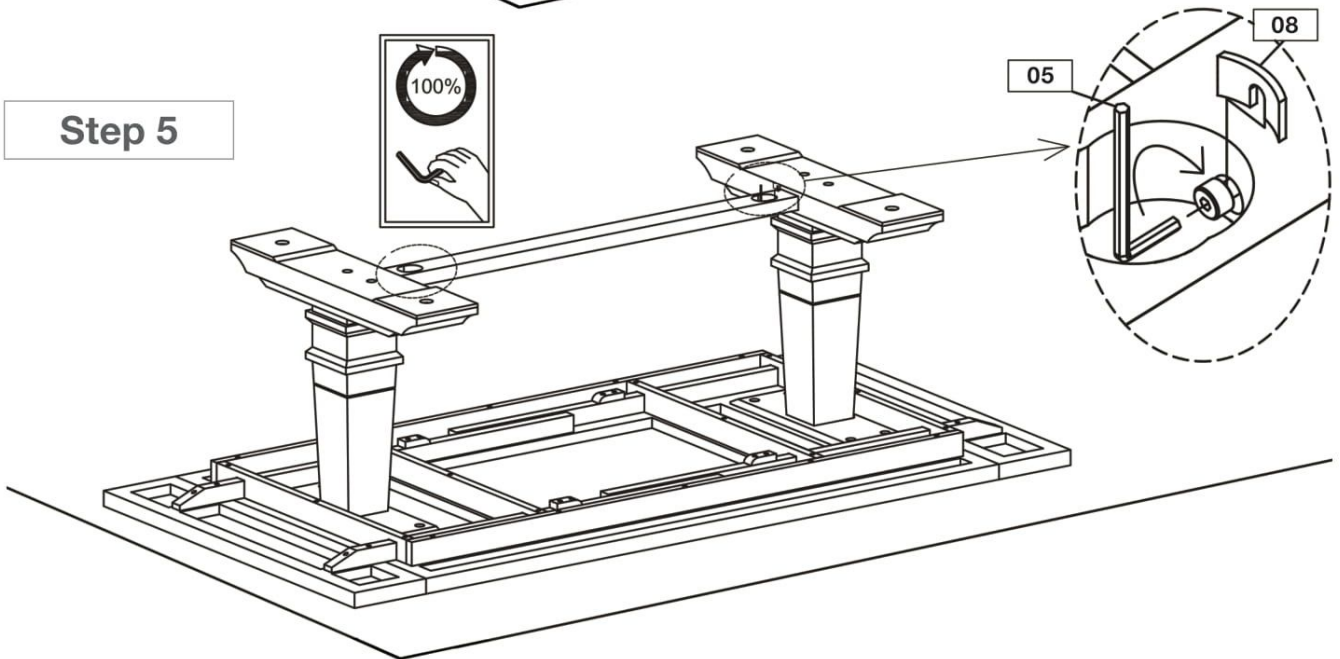


ASSEMBLY INSTRUCTIONS | EXTENSION DINING TABLE

Step 4



Step 5



Step 6

