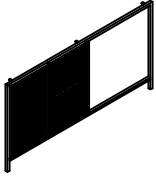
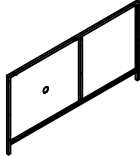
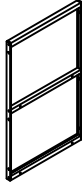
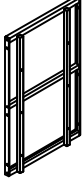
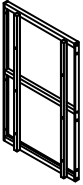
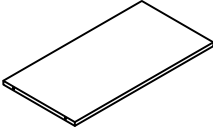
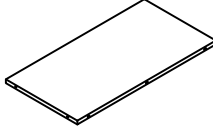
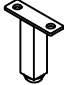
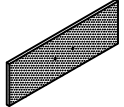

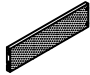
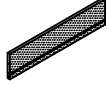
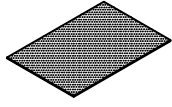
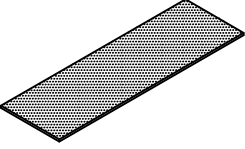










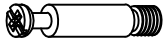


ASSEMBLY INSTRUCTION

TV STAND

A Front Frame  1pc	B Back Frame  1pc	C Left Panel  1pc	D Center Panel  1pc
E Right Panel  1pc	F Shelf Panel  1pc	G Bottom Panel  1pc	H Support Leg  1pc
I Drawers Front  3pcs	J Drawers Side - Left  3pcs	K Drawers Side - Right  3pcs	L Drawers Back  3pcs
M Drawers Bottom  3pcs	N Top Panel  1pc	O Handle  5pcs	P Slide Rail  6pcs
Q Bolts $\text{\O}1/4 \times 5/8$  18pcs	R Bolts $\text{\O}1/4 \times 1/2$  8pcs	S Bolts $\text{\O}3/16 \times 3/8$  12pcs	T Bolts $\text{\O}3/16 \times 1/2$  14pcs
U Bolts $\text{\O}3/16 \times 1$  10pcs	V Flat Washer $\text{\O}16\text{mm}$  8pcs	W Flat Washer $\text{\O}12\text{mm}$  24pcs	X Allen Key M4  1pc

Y Bolts
M6x28mm



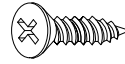
12pcs

Z Screw
M4x25mm



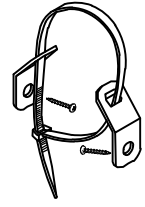
12pcs

AA Screw
M4x10mm



12pcs

AB Anti-Tipping Kit



1set

AC Nut
Ø11.5x8mm



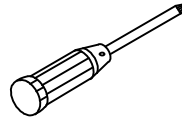
12pcs

AD Wood Dowel
Ø6x30mm

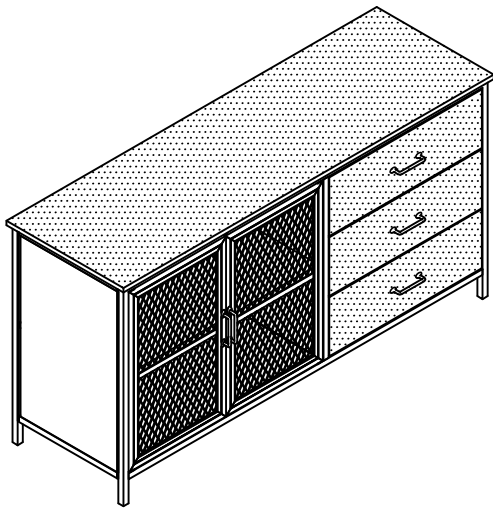


12pcs

AE Screwdriver
(Not Provided)

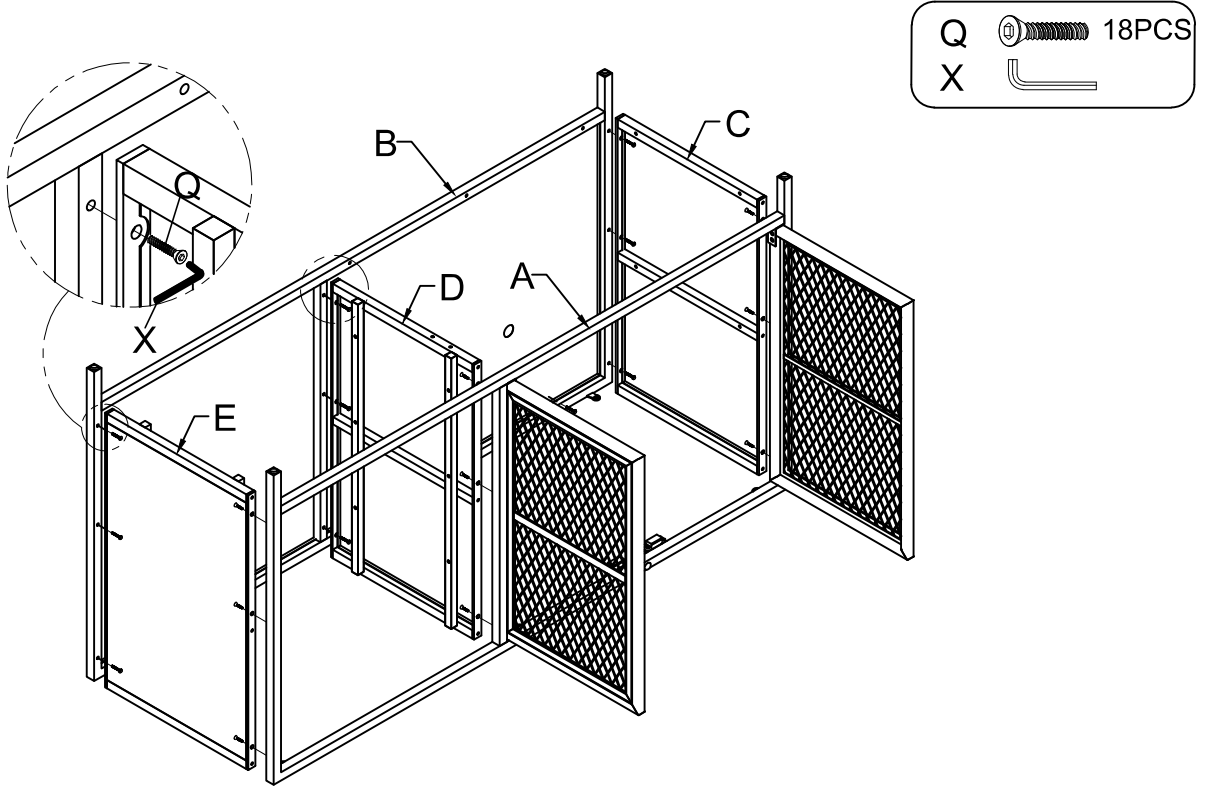


1pc

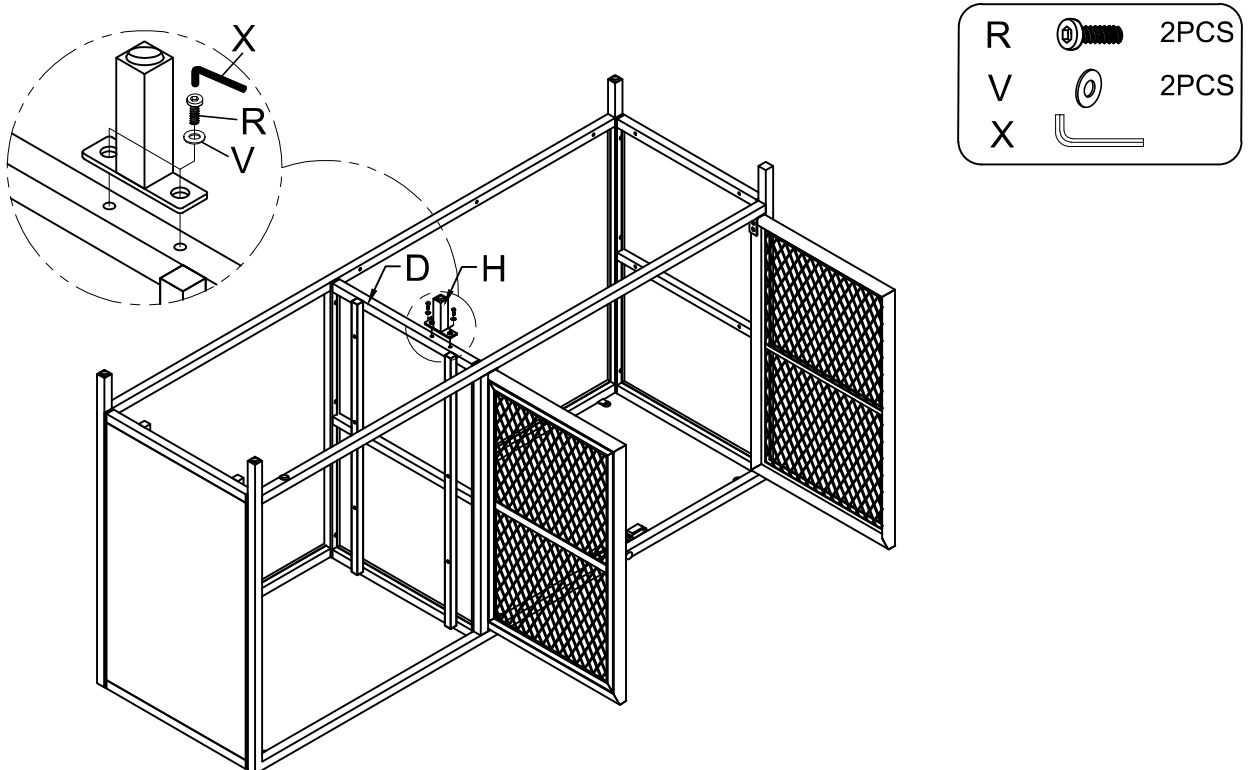


This page lists all the contents included in the box. Please take the time to identify the hardware as well as the individual components to this product. As you unpack and prepare for assembly, place the contents on a carpeted or padded area to protect them from damage.

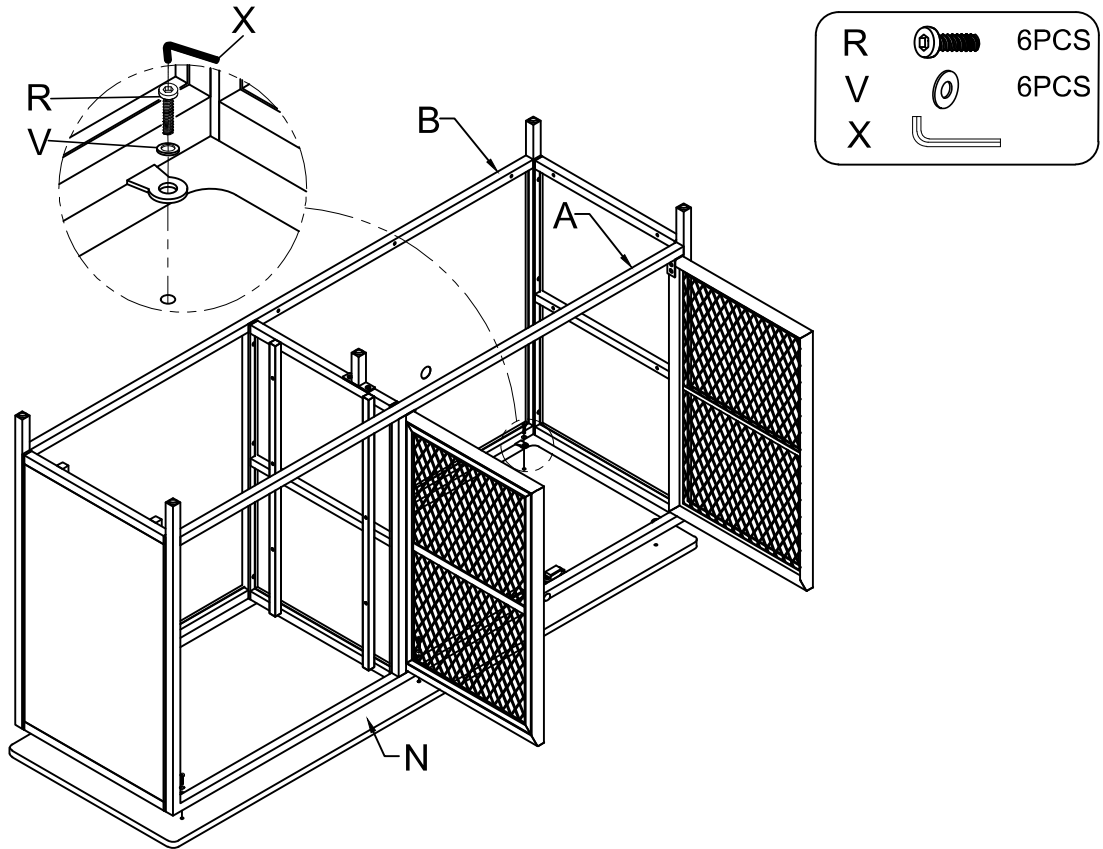
1 Attach the Front Frame (A) and Back Frame (B) to Left Panel (C), Center Panel (D) & Right Panel (E) by using Bolts (Q), and tighten with Allen Key (X).



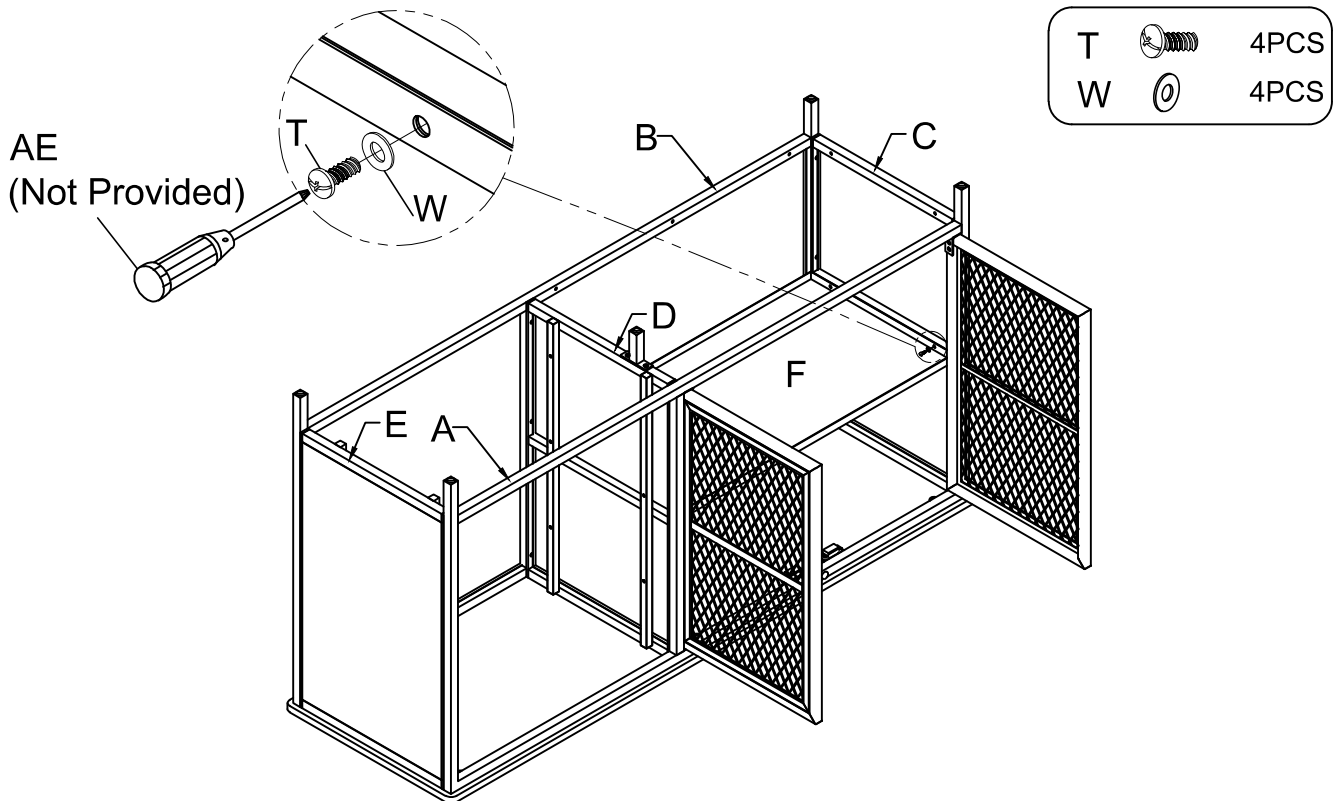
2 Attach the Support leg (H) to Center Panel (D) by using Bolts (R), Flat Washer (V), and tighten with Allen Key (X).



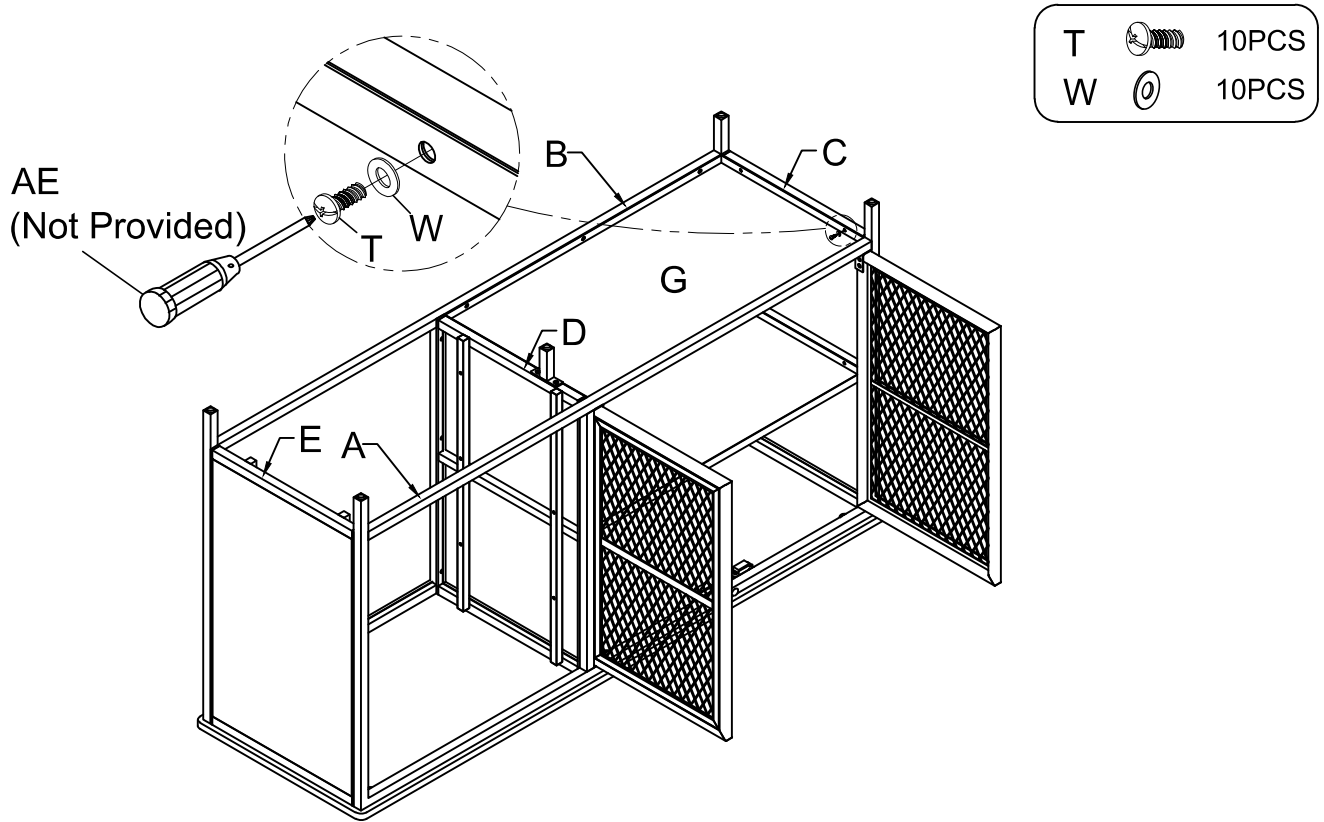
3 Attach the Front Frame (A) and Back Frame (B) to Top Panel (N) by using Bolts (R), Flat Washer (V), and tighten with Allen Key (X).



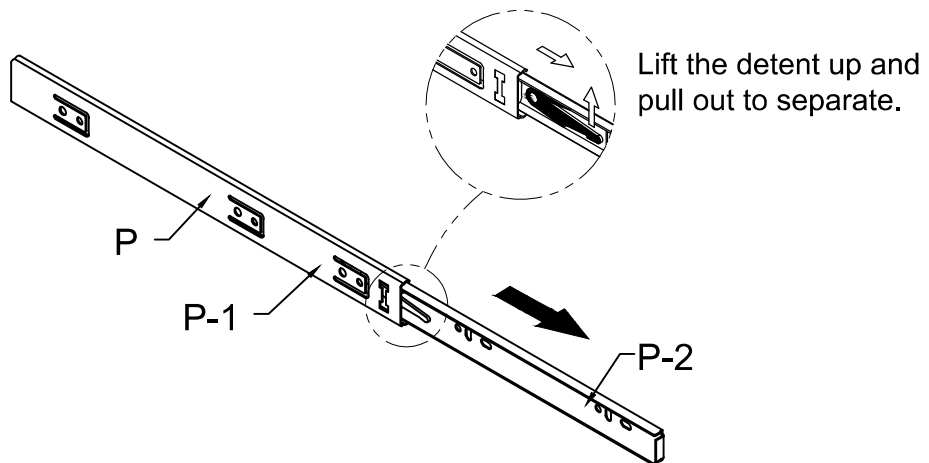
4 Attach the Shelf Panel (F) to Left Panel (C) and Center Panel (D) by using Bolts (T), Flat Washer (W), and tighten with Screwdriver (AE).




5 Attach the Bottom Panel (G) to Left Panel (C) and Center Panel (D) by using Bolts (T), Flat Washer (W), and tighten with Screwdriver (AE).

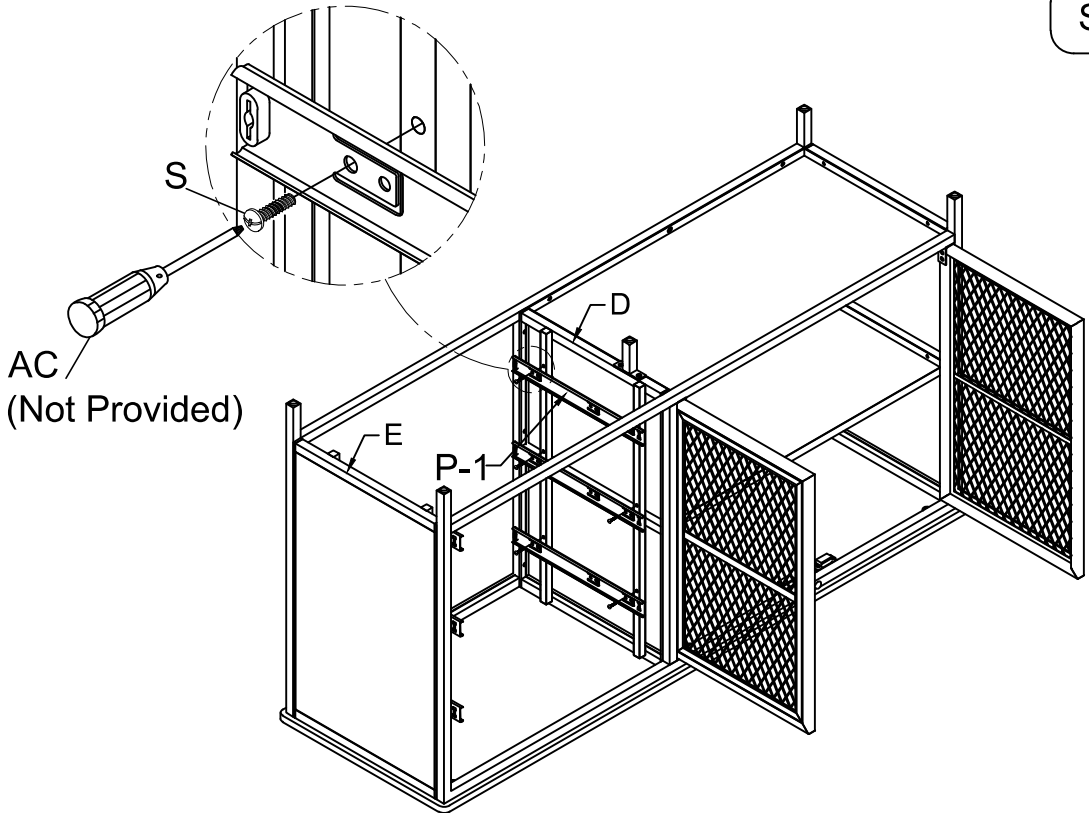


6 Pull out Slide Rail (P) fully extended, a hold-in detent can be seen or touched on slide runners.





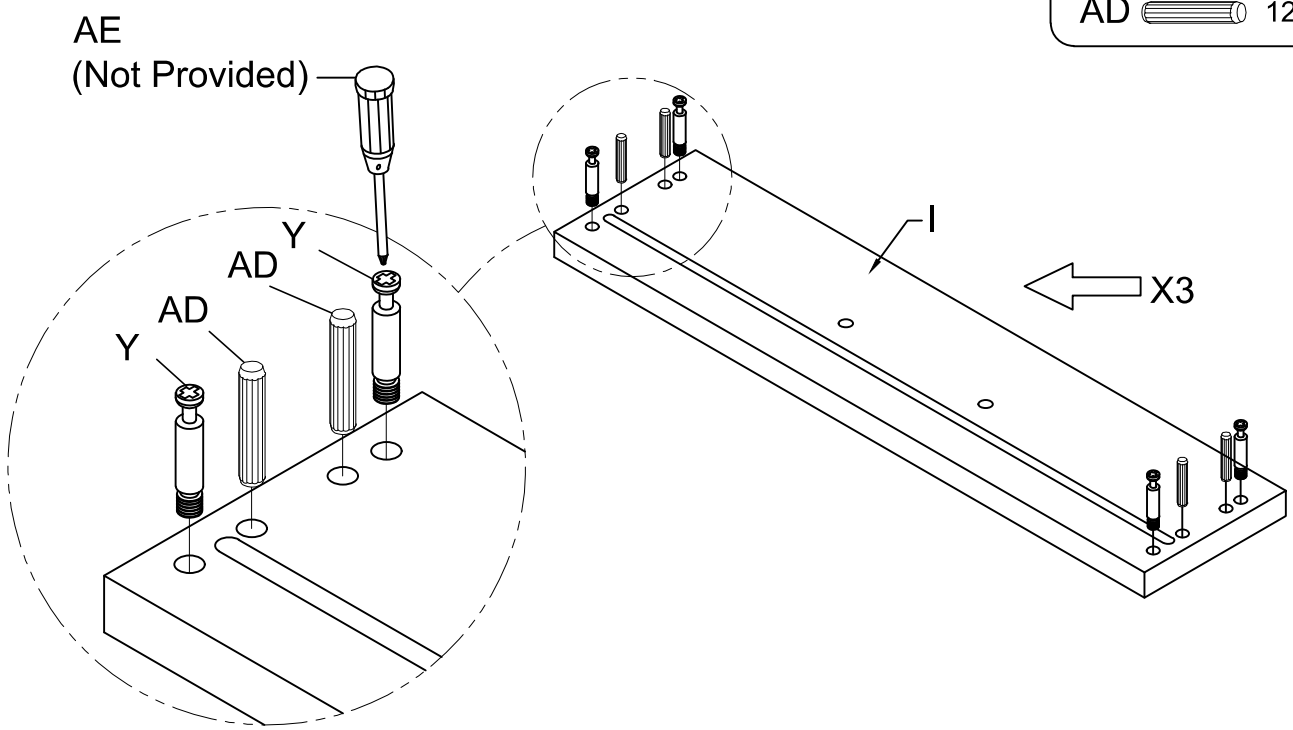
7 Attach the first part of Slide Rail (P) to Center Panel (D) and Right Panel (E) by using Bolts (S), and tighten with Screwdriver (AE).

S  12PCS

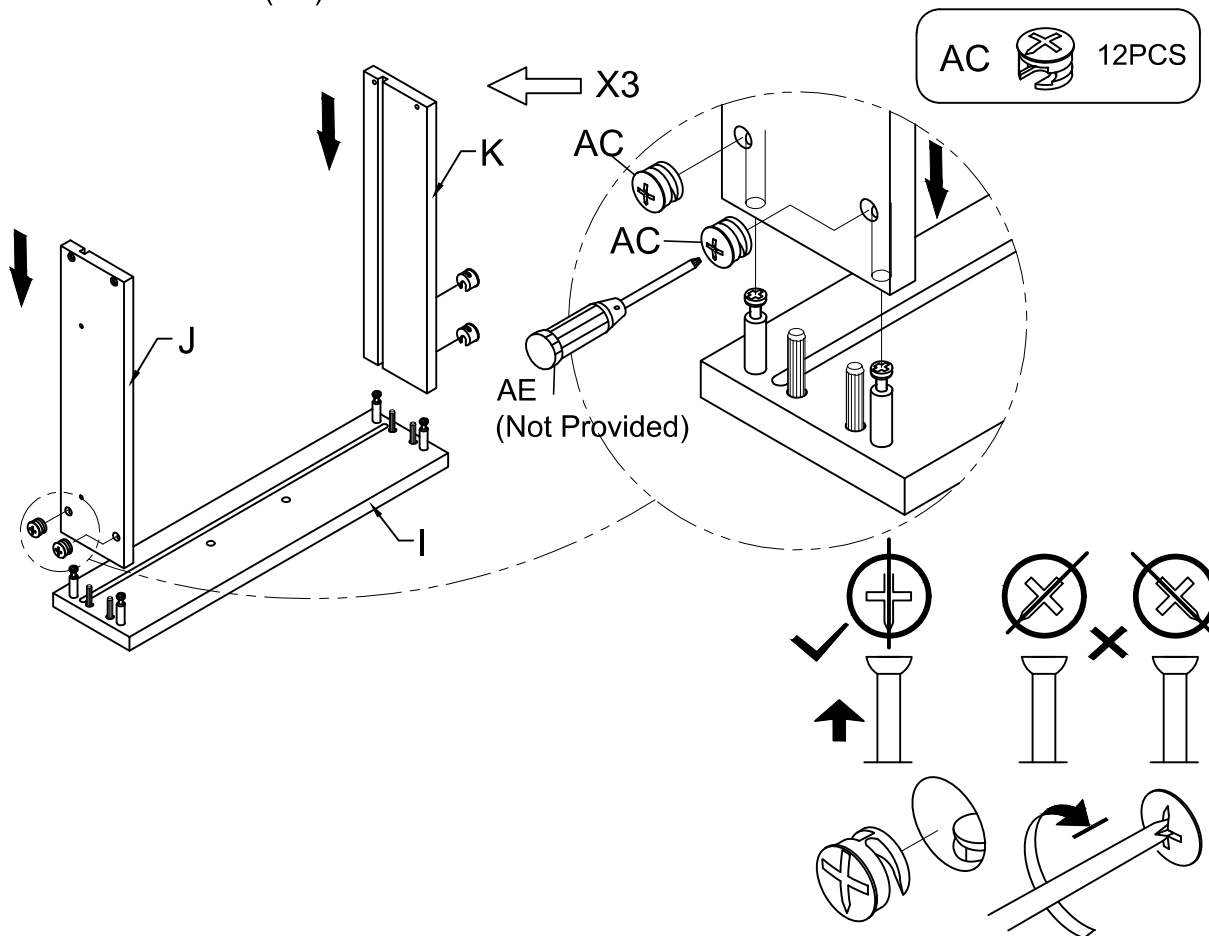


8 Attach the Bolts (Y) and Wood Dowel (AD) to Drawers Front (I), and tighten with Screwdriver (AE).

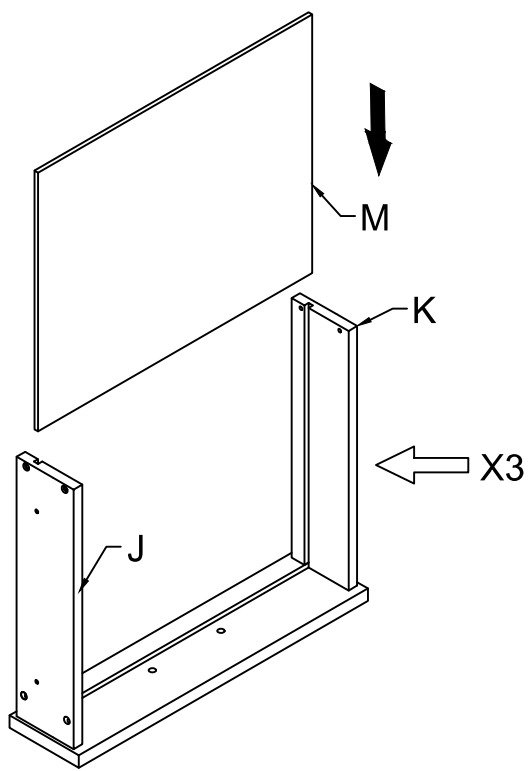
Y  12PCS
AD  12PCS



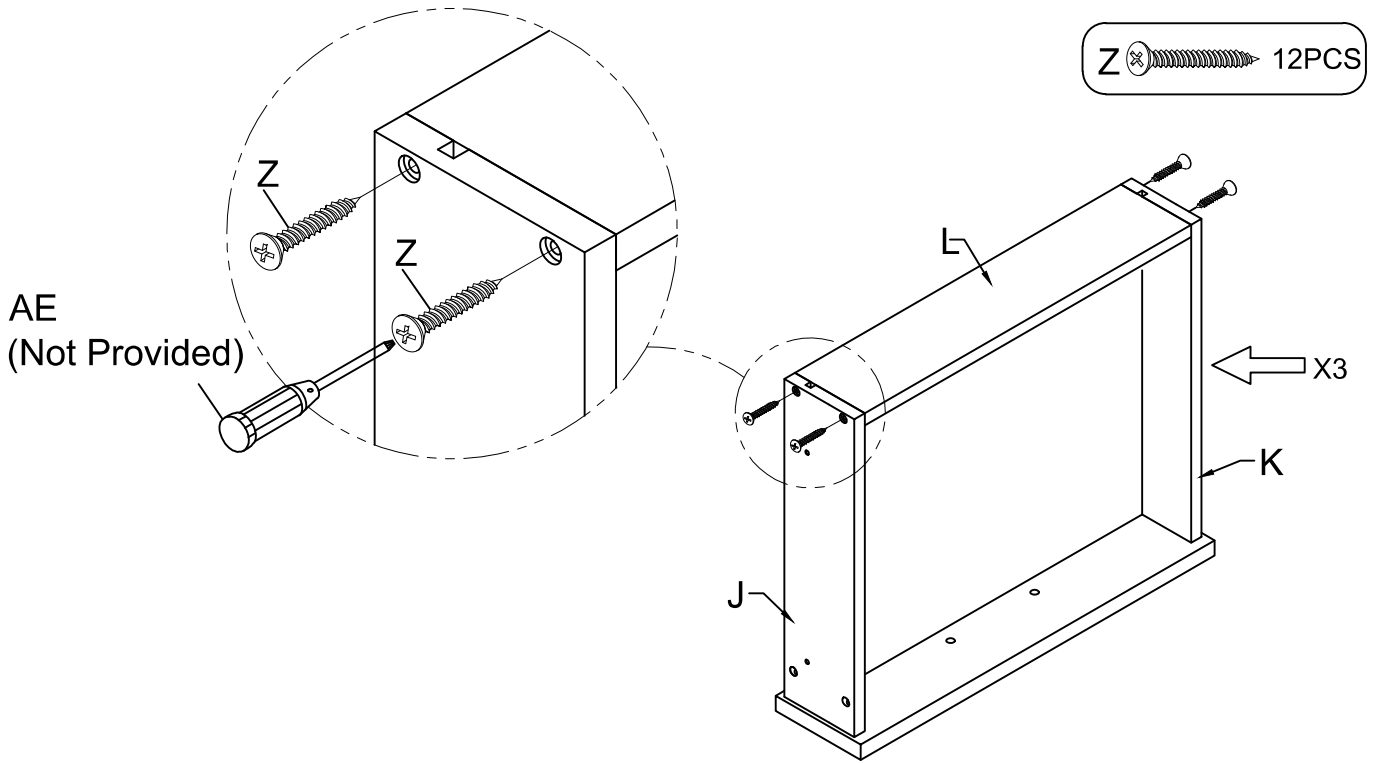
9 Attach the Drawers Side - Left (J) and Drawers Side - Right (K) to Drawers Front (I) by using Nut (AC), and tighten with Screwdriver (AE).



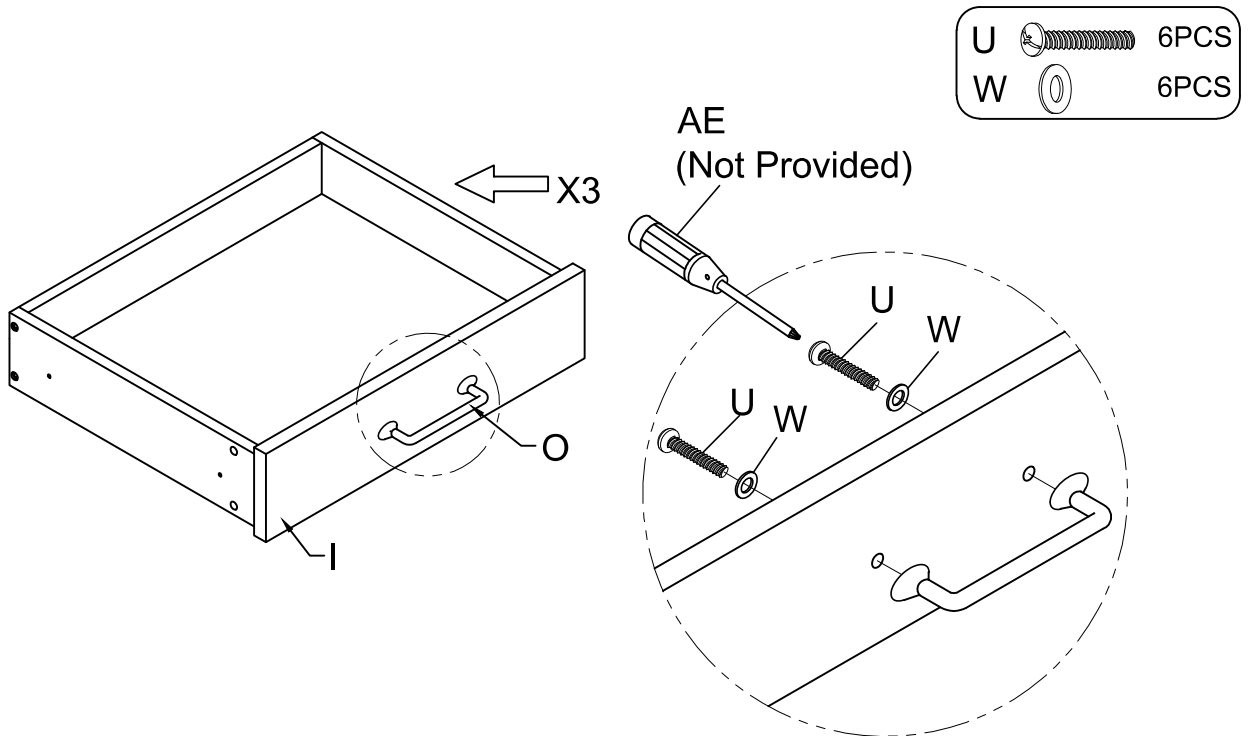
10 Put Drawers Bottom (M) into Drawers Side - Left (J) and Drawers Side - Right (K).




11 Attach the Drawers Back (L) to Drawers Side - Left (J) & Drawers Side - Right (K) by using Screw (Z), and tighten with Screwdriver (AE).

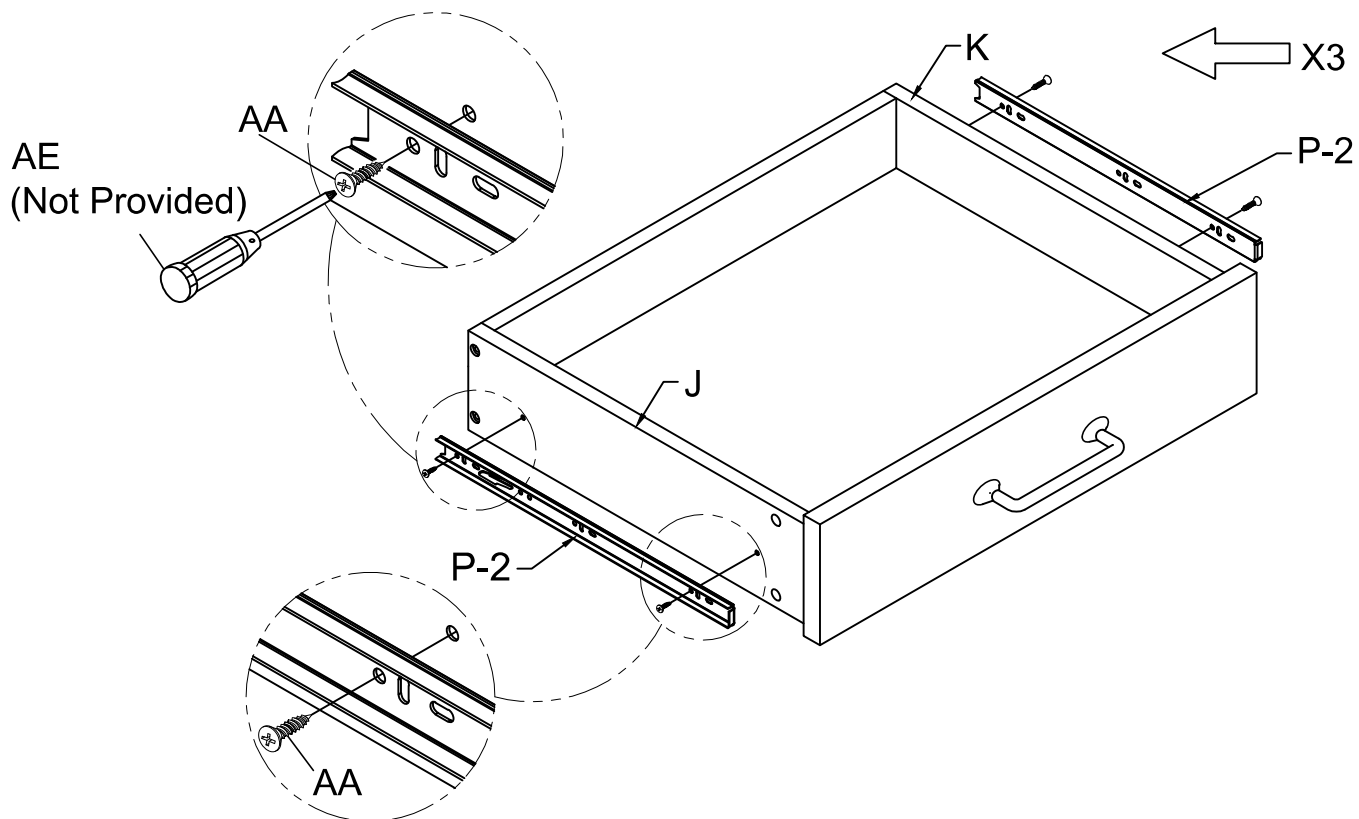


12 Attach the Handle (O) to Drawers Front (I) by using Bolts (U), Flat Washer (W), and tighten with Screwdriver (AE).





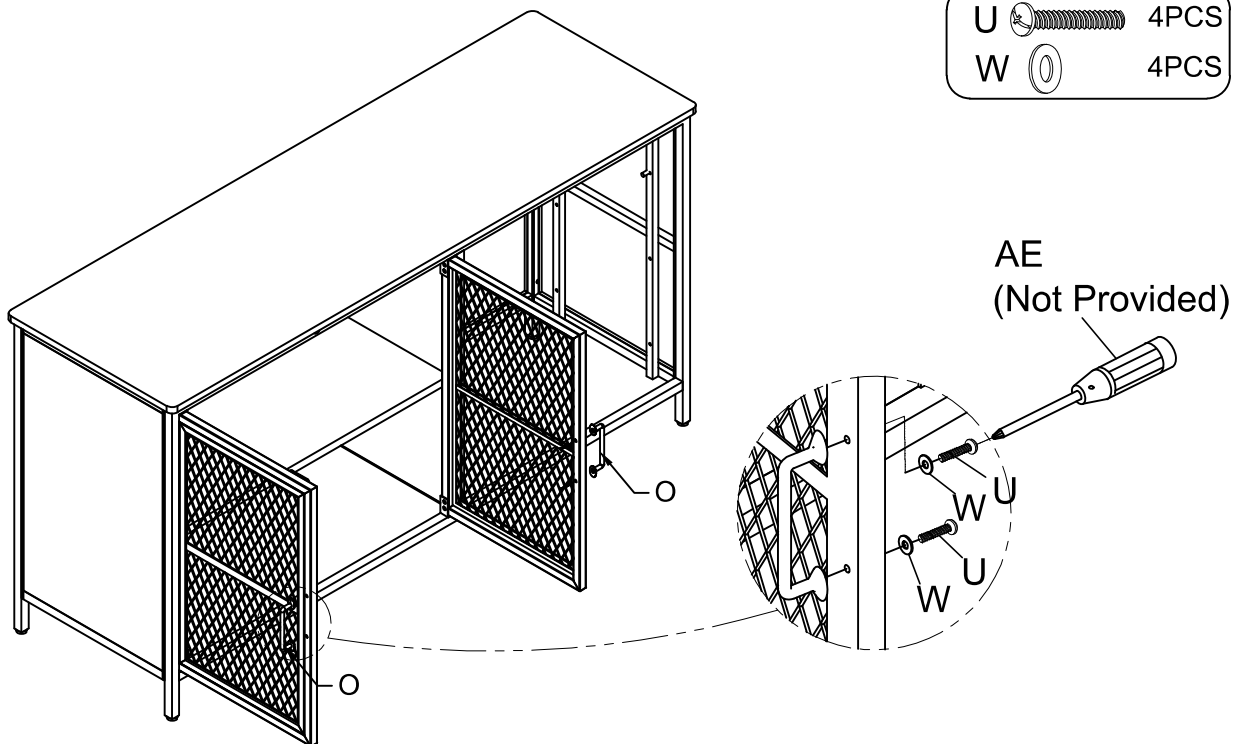
13 Attach the second part of Slide Rail (P) to the Drawers Side - Left (J) and Drawers Side - Right (K) by using Screw (AA), and tighten with Screwdriver (AE).

AA  12PCS

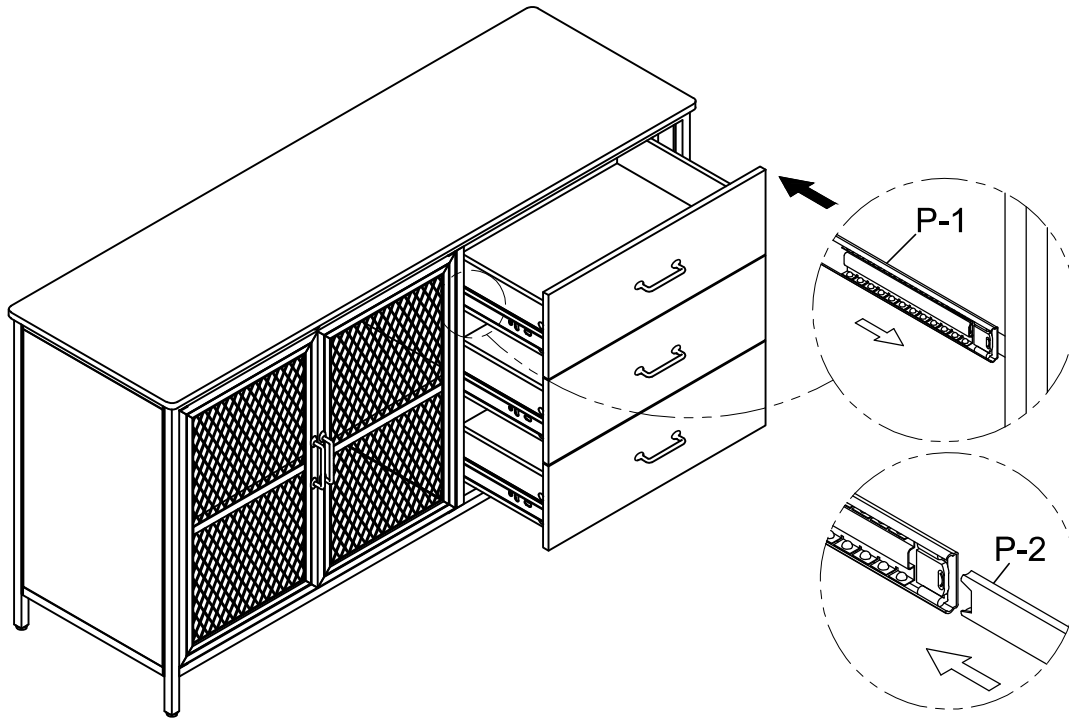


14 Attach the Handle (O) to the doors by using Bolts (U), Flat Washer (W), and tighten with Screwdriver (AE).

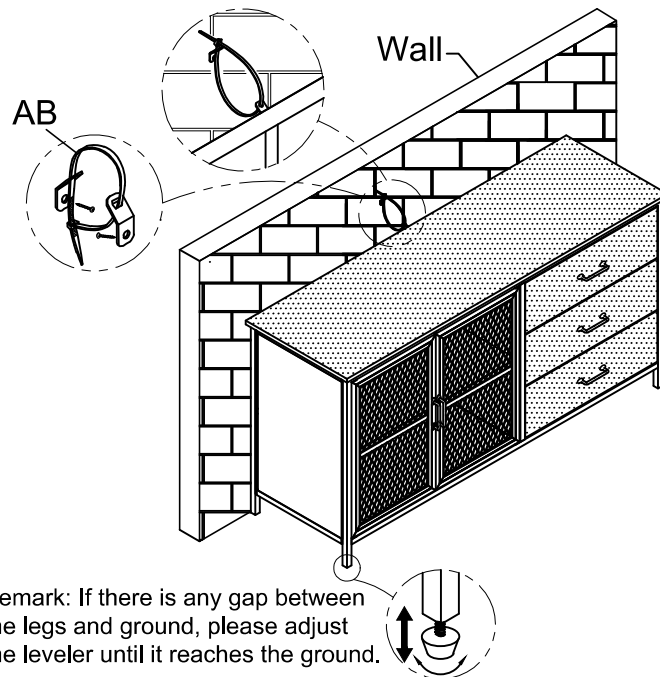
U  4PCS
W  4PCS



- 15** Attach the drawers by using Slide Rail (P). Move slide ball spacers to front. Hold drawers horizontally, and slide runners into ball spacers.



- 16** Remark: there is a tip restraint kit provided on the back of this product. Please read the instruction thoroughly and install immediately when placed in home. To prevent tip over, the product must be attached to wall.



Remark: If there is any gap between the legs and ground, please adjust the leveler until it reaches the ground.

Cleaning & Care

Treat surface with care. Surface is resistant to scratches but is not scratch resistant. Clean surfaces with a dry or damp soft cloth. Do not use abrasive cleaners. Hardware may loosen over time. Periodically check that all connections are tight.