

## ASSEMBLY INSTRUCTIONS 2 DRAWER BEDSIDE

**IMPORTANT: READ THESE INSTRUCTIONS CAREFULLY BEFORE ASSEMBLING OR USING YOUR 2 DRAWER BEDSIDE.**

**PLEASE KEEP THESE INSTRUCTIONS FOR FUTURE REFERENCE.**

### **HEALTH & SAFETY:**

**DO NOT** use this item if any parts are missing, damaged or worn.

**DO NOT** use this item unless all fixings are secured.

Please keep small parts out of reach of children.

Always use on a level, even surface.

It is recommended that two people handle and assemble the item.

Advise you use the wall straps provided to further enhance the safety of this product. **CARE &**

### **MAINTENANCE:**

Assemble in the room of use.

To avoid damages assemble the item on a soft, clean surface

Periodically check all screws & fixings to ensure they are secure.

**DO NOT** push the item as this will damage the base.

Always lift the item with two people to reposition.

Keep any sharp objects away from the item.

This product is manufactured in pine which is a wood with natural characteristics including knots, grains, clusters or indentations.

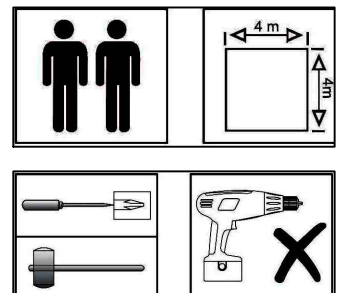
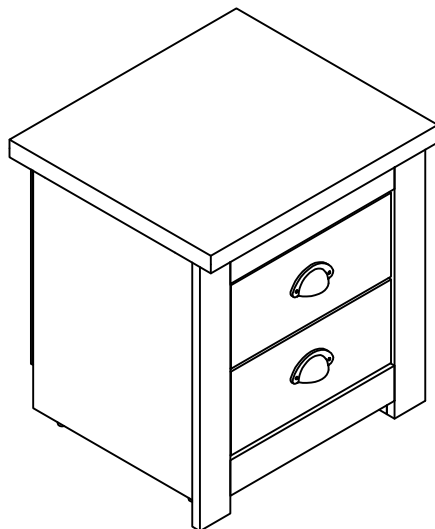
On unpacking the item you may notice an odour due to production processes but this will disappear after a period of time.

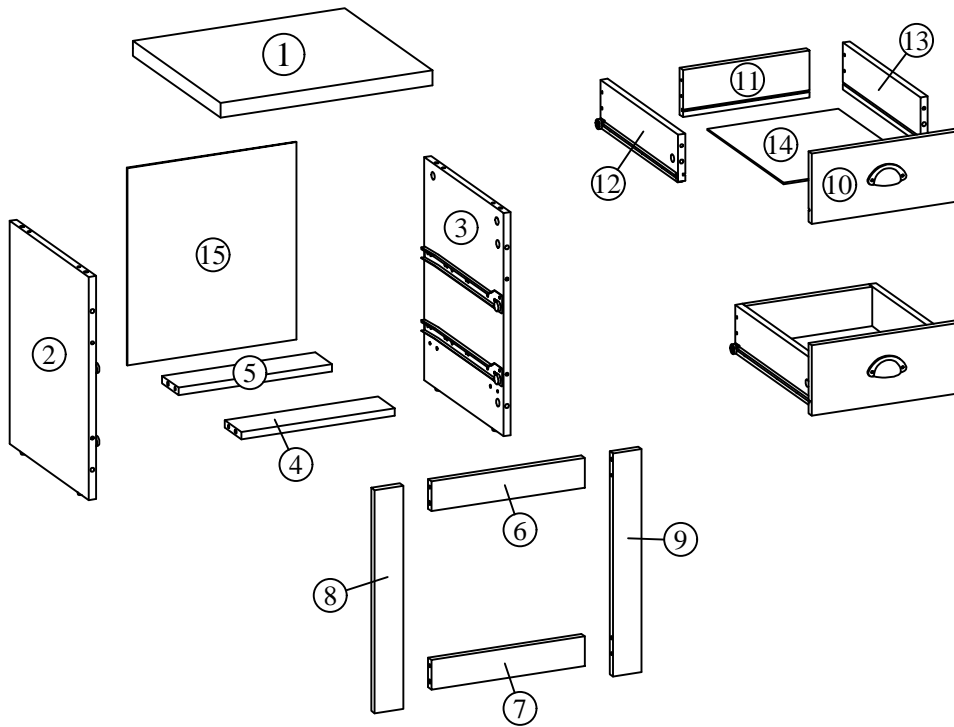
**DO NOT** place the item next to a radiator or direct sunlight - this item is susceptible to temperature change. It is recommended an even room temperature be maintained with no sudden fluctuations.

**DO NOT** place hot or cold items directly onto the surface of the item as marking will occur

For general cleaning use a duster or damp cloth (almost dry) not wet - do not use soap and water, detergents, aerosol sprays or any polish as use of these materials would invalidate any claims.

**DO NOT** place the item onto wet or damp flooring as staining may occur to the floor.






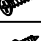
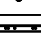



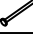

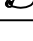


## PARTS LIST

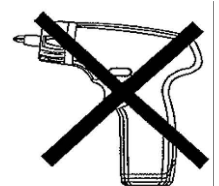
Carton 1 of 1:

Part	Description	Qty
1	Top Panel	1
2	Left Panel	1
3	Right Panel	1
4	Bottom Front Panel	1
5	Bottom Back Panel	1
6	Top Front Post Panel	1
7	Bottom Front Post Panel	1
8	Left Front Post Panel	1
9	Right Front Post Panel	1
10	Drawer Front Panel	2
11	Drawer Back Panel	2
12	Drawer Left Panel	2
13	Drawer Right Panel	2
14	Drawer Bottom Panel	2
15	Back Panel	1

## HARDWARE LIST: Carton 1 of 1



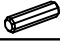

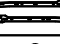

Part	Description	Qty
A	CAM NUT 15mm 	20
B	CAM BOLT 	20
C	WOOD DOWEL M6 x 25mm 	20
D	CSK SCREW M4 x 38mm 	8
E	CSK SCREW M3.5 x 12mm 	24
F	METAL RUNNER TRUCK 14" 	2
G	METAL RUNNER 14" 	2
H	PVC NAIL 	4
I	NAIL 	12
J	PAN HEAD SCREW M3.5 x 12mm 	4
K	TXM MOON HANDLE 	2

\*\* You will need a screwdriver and a small mallet ( NOT provided)

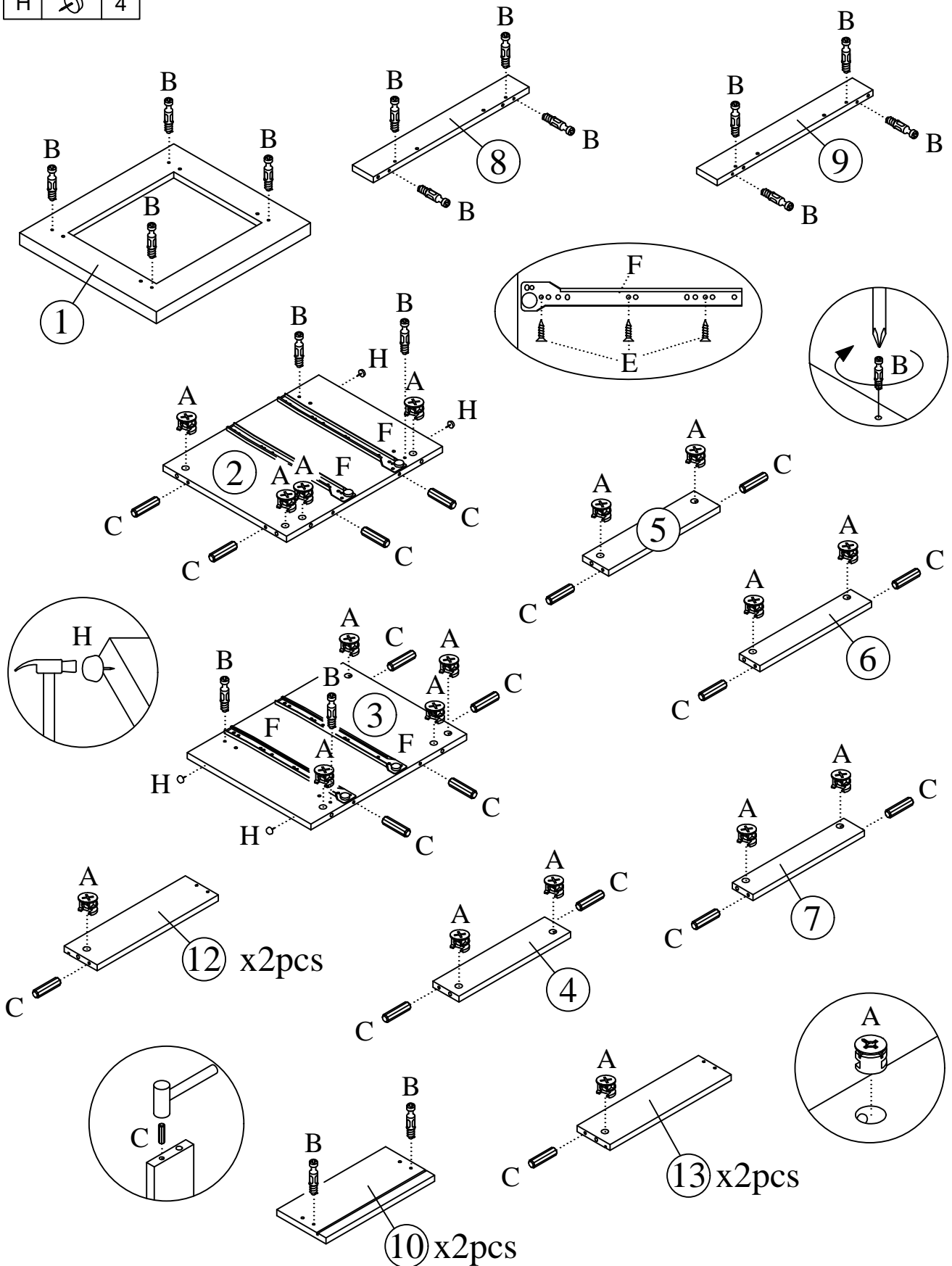


**\*\* WARNING: THE USE OF POWER TOOLS TO ASSEMBLE THIS PRODUCT WILL INVALIDATE ANY CLAIM AND MAY DAMAGE THIS PRODUCT MAKING IT UNSAFE.**

**1**

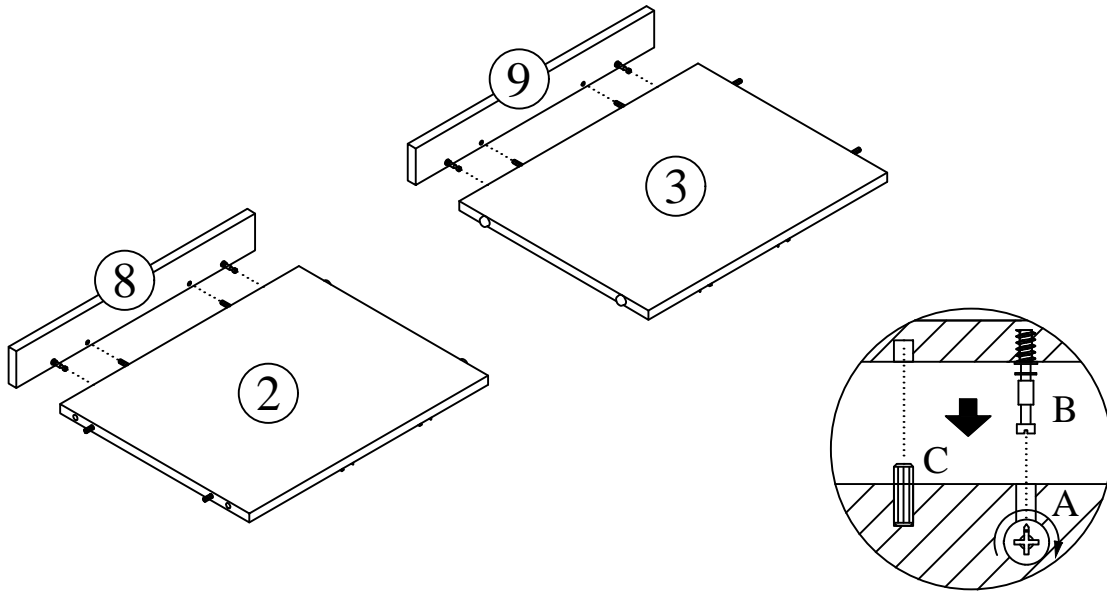
A		20
B		20
C		20
E		12
F		2
H		4

Insert hardware part A & part B using a screwdriver (not provided). Insert hardware part C using a small mallet (not provided). Insert hardware H using a small mallet (not provided). Attach hardware F with screw E using screwdriver (not provided). DO NOT use any power tools as this may damage the frame and will invalidate any claim.



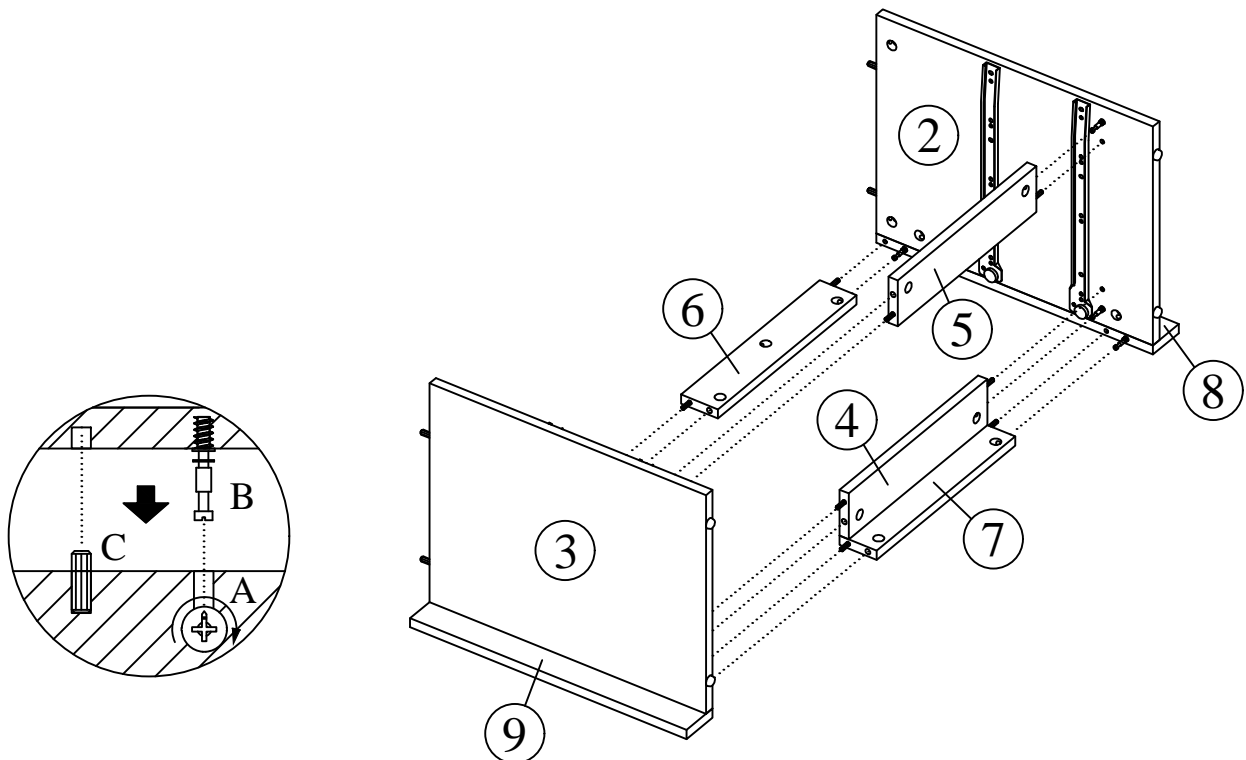
**2**

Attach the Left Front Post Panel (8) to Left Panel (2) and Right Front Post Panel (9) to Right Panel (3) by screwdriver (not provided).  
**DO NOT** use any power tools as this may damage the frame and will invalidate any claim.

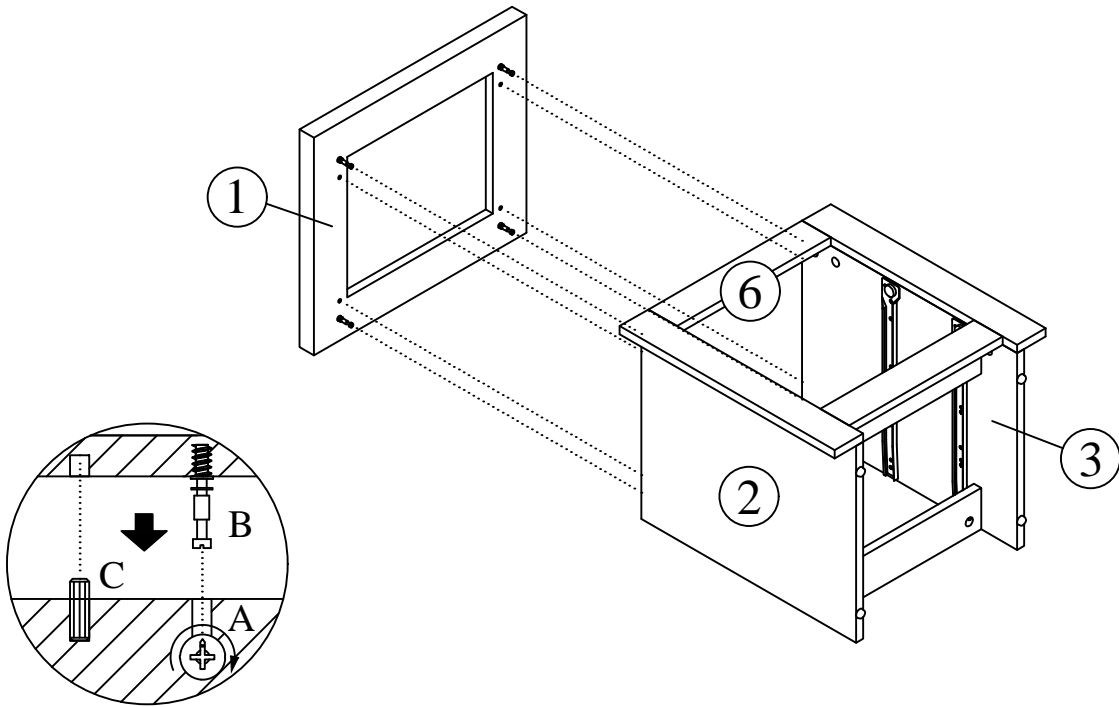


**3**


Attach the Bottom Front Panel (4) and Bottom Back Panel (5) and Top Front Post Panel (6) and Bottom Front Post Panel (7) to Left Panel (2) and Left Front Post Panel (8) and Right Panel (3) and Right Front Post Panel (9) by screwdriver (not provided).  
**DO NOT** use any power tools as this may damage the frame and will invalidate any claim.



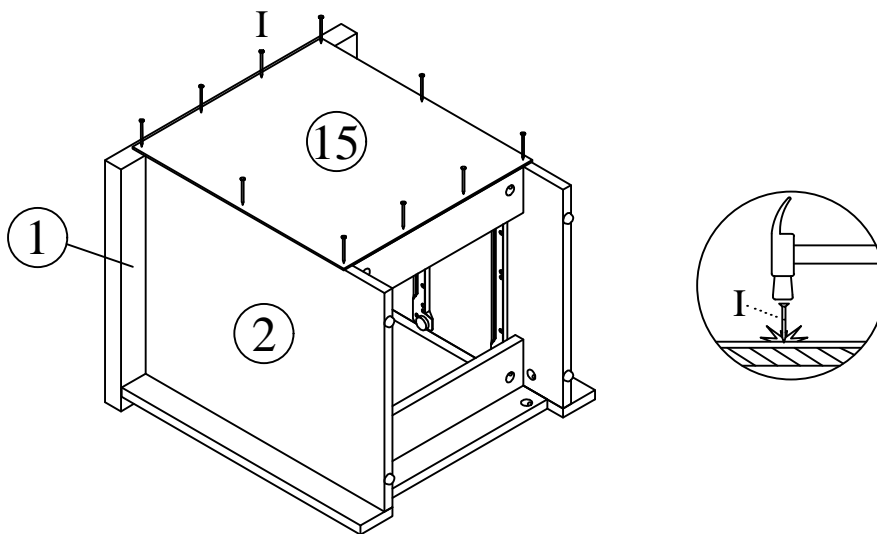
- 4** Attach the Top Panel (1) to Left Panel (2) and Right Panel (3) and Top Front Post Panel (6) by screwdriver (not provided).  
**DO NOT** use any power tools as this may damage the frame and will invalidate any claim.



- 5**

I		12
---	---	----

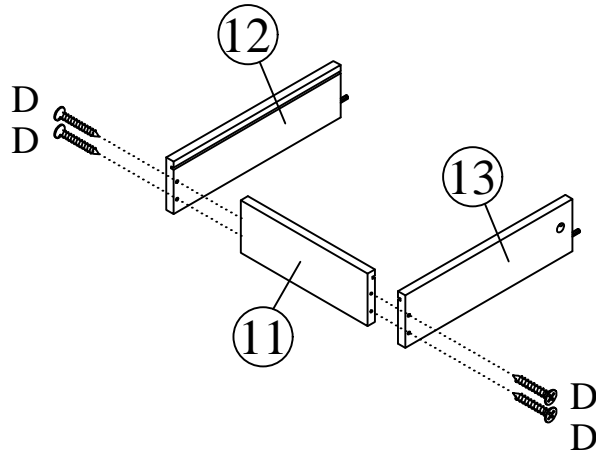
 Attach the Back Panel (15) with Nail (I) by small mallet (not provided).  
**DO NOT** use any power tools as this may damage the frame and will invalidate any claim.



**6**

D		8
---	--	---

Attach the Drawer Left Panel (12) and Drawer Right Panel (13) to Drawer Back Panel (11) with screw (D) by screwdriver (not provided).  
**DO NOT** use any power tools as this may damage the frame and will invalidate any claim.

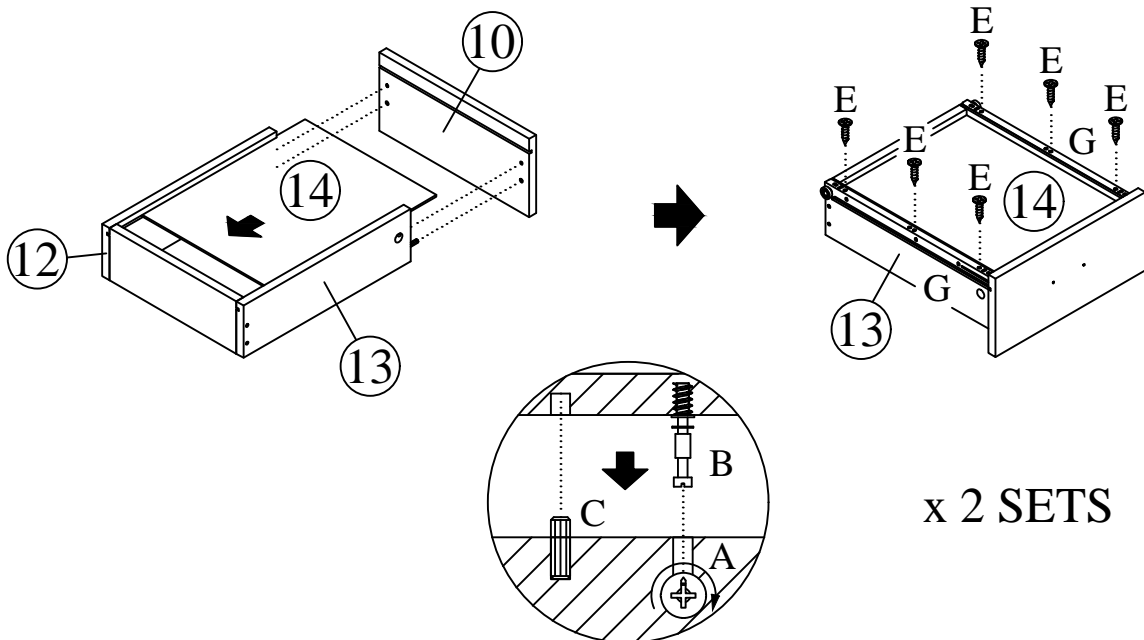


x 2 SETS

**7**



E		12
G		2

Insert Drawer Bottom Panel (14) as shown and fix Drawer Front Panel (10) by screwdriver (not provided).  
 Fix hardware (G) onto the Drawer Left Panel (12) and Drawer Right Panel (13) using screw (E) by screwdriver (not provided).  
**DO NOT** use any power tools as this may damage the frame and will invalidate any claim.



x 2 SETS

8

J		4
K		2

Fix Handle (K) using screw (J) onto Drawer Front Panel (10) by screwdriver (not provided). **DO NOT** use any power tools as this may damage the frame and will invalidate any claim.

