

CARE AND MAINTENANCE

Always use felt pads under all articles to prevent discoloration or softening of the lacquer. Plastic and rubber bases on items can discolor wood. Wipe up spills immediately and avoid common hazards such as hot dishes, harsh solvents and abrasives. Cleaning should be done with a soft lint free cotton cloth dampened with water or furniture polish. On highly used surfaces we recommend applying a quality paste wax which should be used on a regular basis to provide additional protection from scratches and spills. How often you apply the wax depends on how much wear the furniture receives.





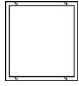
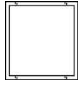
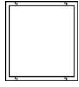
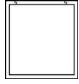
NOTICE

* Please make sure that you have all parts indicated before you begin assembly of this item

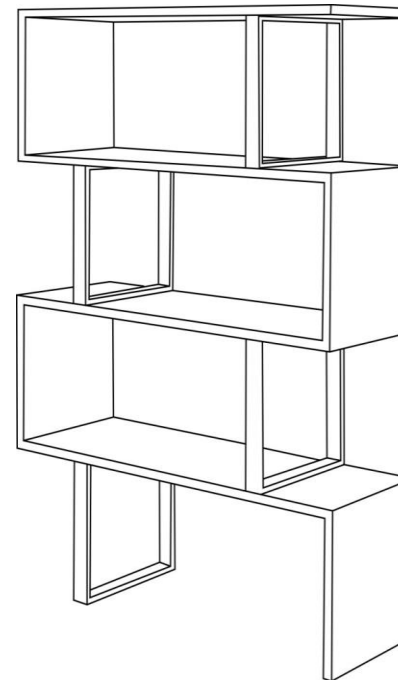
* This item should be assembled on a soft surface to prevent scratching the finish during assembly






* This item may require periodic tightening

Part List and Hardware List

PIECE	DESCRIPTION	PICTURE	QUANTITY
A1	Panel		1X
A2	Panel		3X
B1	Panel		3X
B2	Panel		1X
C1	Metal frame		1X
C2	Metal frame		1X
C3	Metal frame		1X
C4	Metal frame		1X

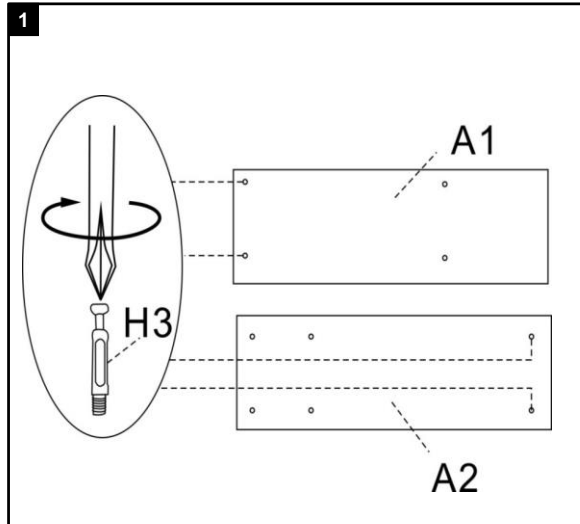
Product Dimensions: 35-2/5" W X 11-4/5" D X 50-2/5" H



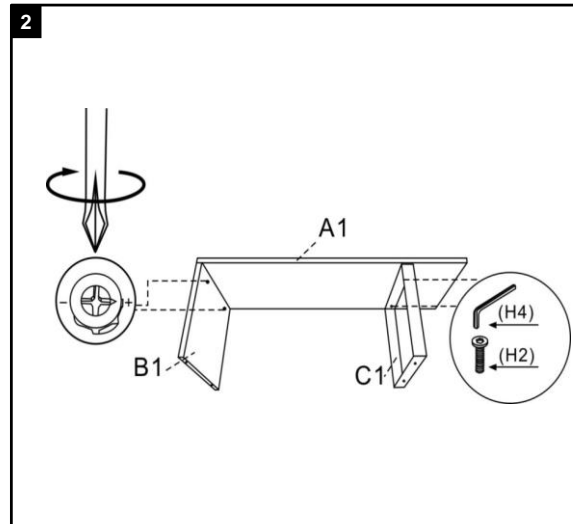
H1	Allen bolt L	 M6X30mm	6X
H2	Allen bolt S	 M6X20mm	14X
H3	Screw		8X
H4	Allen key		1X
H5	Washer		6X

PREPARATION

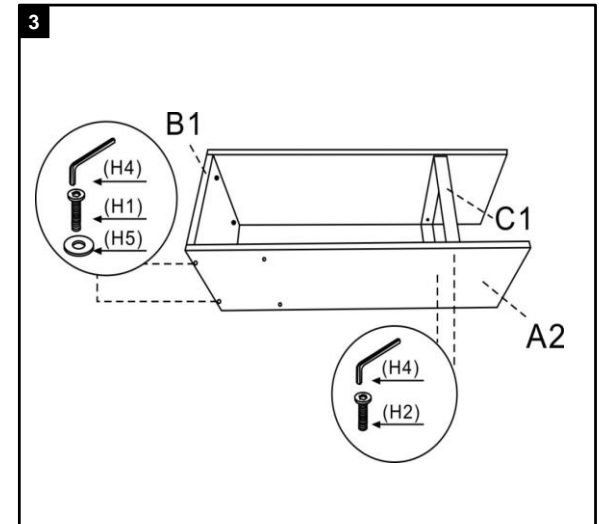
Before beginning assembly of product, make sure all parts are present. Compare parts with package contents list and hardware contents list.



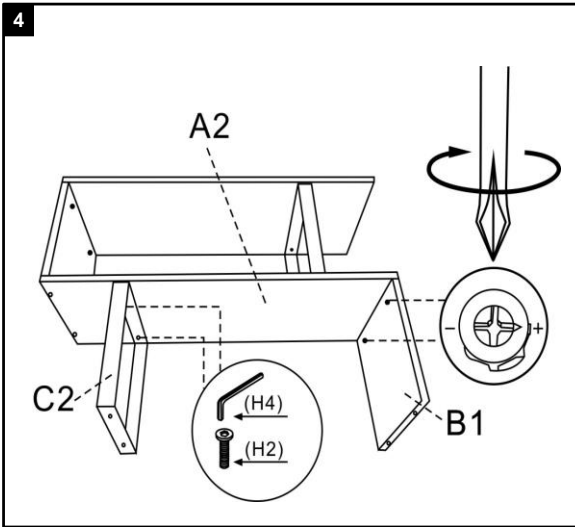
Step 1
Attach the Screw(H3) to Panel(A1),Panel(A2)
Tighten with philips driver



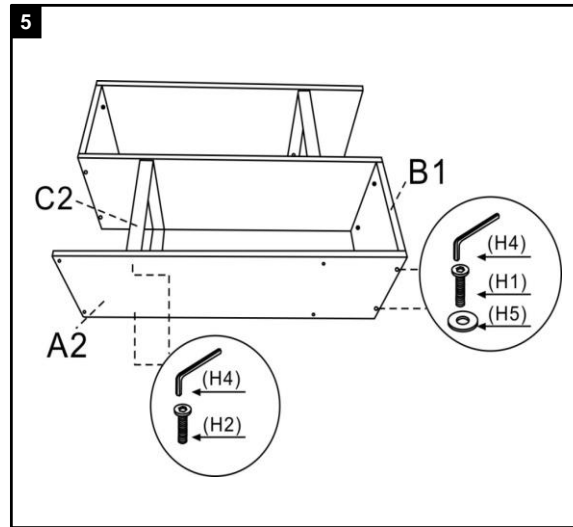
Step 2
Attach the Metal frame(C1) to Panel(A1), using Allen bolt(H2)
Tighten with Allen key(H4)
Attach the Panel (B1) to Panel (A1),tighten with philips driver



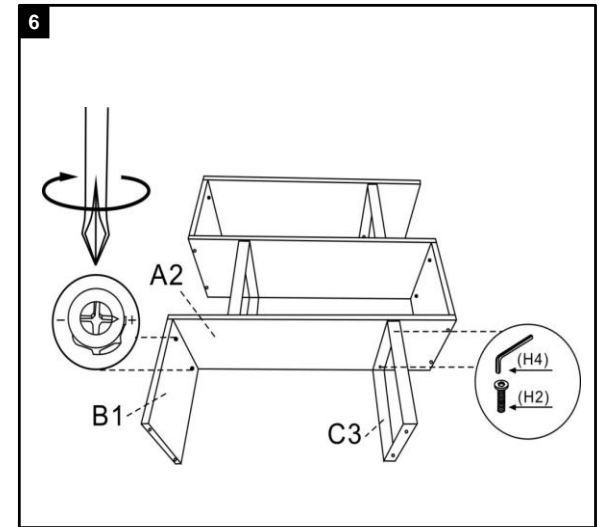
Step 3
Attach the Panel(A2) to Panel(B1),using Allen bolt and washer(H1&H5)
Tighten white Allen Key(H4)
Attach the Panel(A2) to Metal frame(C1),using Allen bolt(H2)
Tighten white Allen Key(H4)



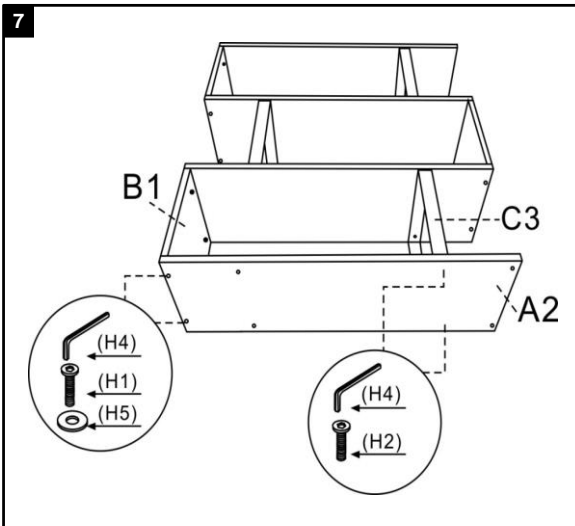
Step 4
 Attach the Metal frame(C2) to Panel(A2), using Allen bolt(H2)
 Tighten with Allen key(H4)
 Attach the Panel (B1) to Panel (A2),tighten with philips driver



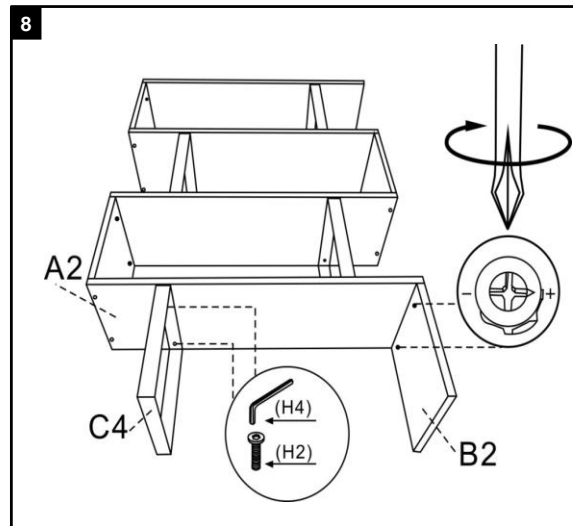
Step 5
 Attach the Panel(A2) to Panel(B1),using Allen bolt and washer(H1&H5)
 Tighten white Allen Key(H4)
 Attach the Panel(A2) to Metal frame(C2),using Allen bolt(H2)
 Tighten white Allen Key(H4)



Step 6
 Attach the Metal frame(C3) to Panel(A2), using Allen bolt(H2)
 Tighten with Allen key(H4)
 Attach the Panel (B1) to Panel (A2),tighten with philips driver



Step 7
 Attach the Panel(A2) to Panel(B1),using Allen bolt and washer(H1&H5)
 Tighten white Allen Key(H4)
 Attach the Panel(A2) to Metal frame(C3),using Allen bolt(H2)
 Tighten white Allen Key(H4)



Step 8
 Attach the Metal frame(C4) to Panel(A2), using Allen bolt(H2)
 Tighten with Allen key(H4)
 Attach the Panel (B2) to Panel (A2),tighten with philips driver