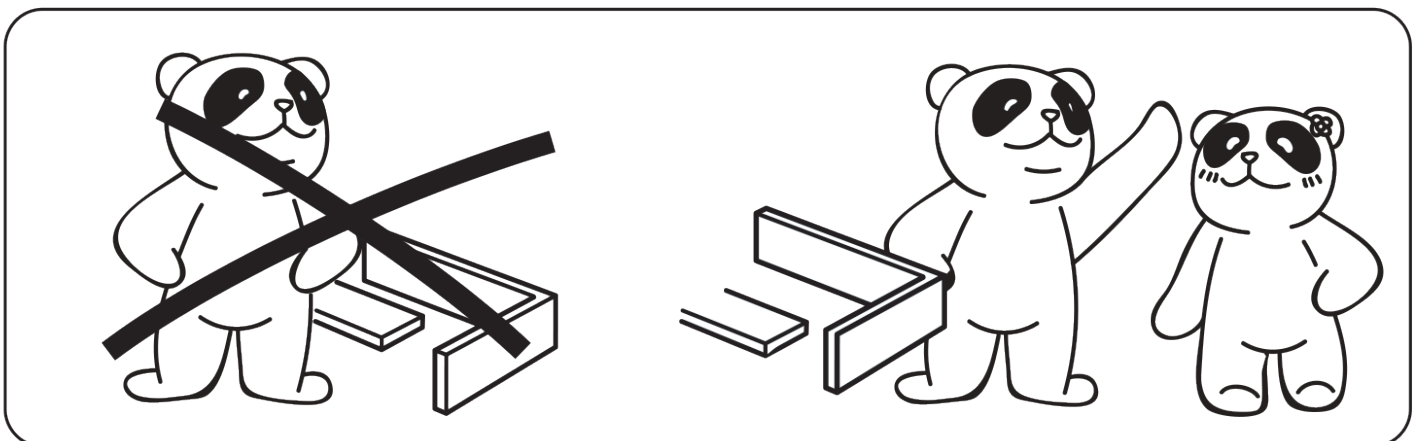
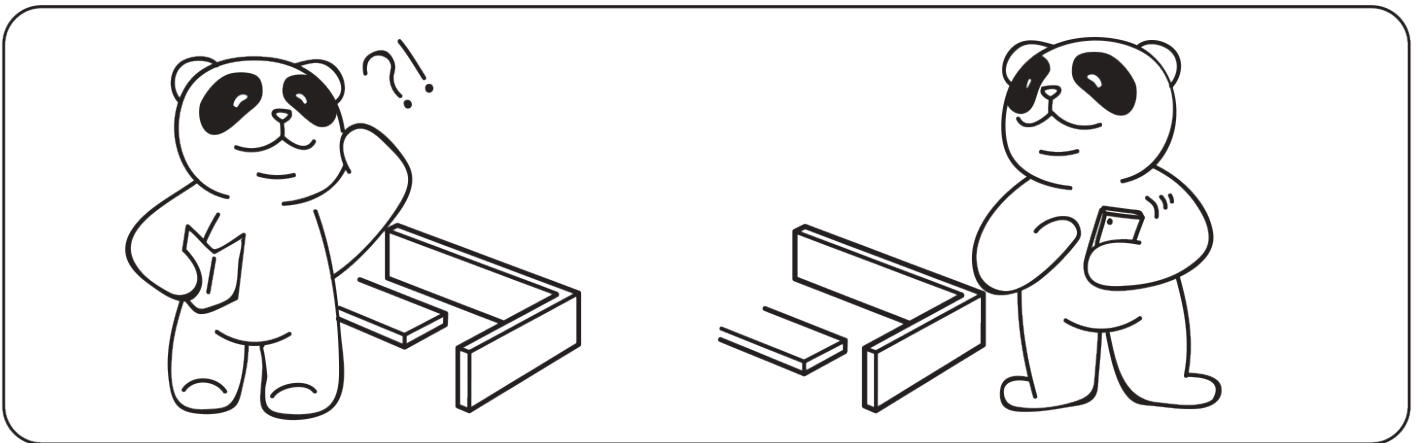
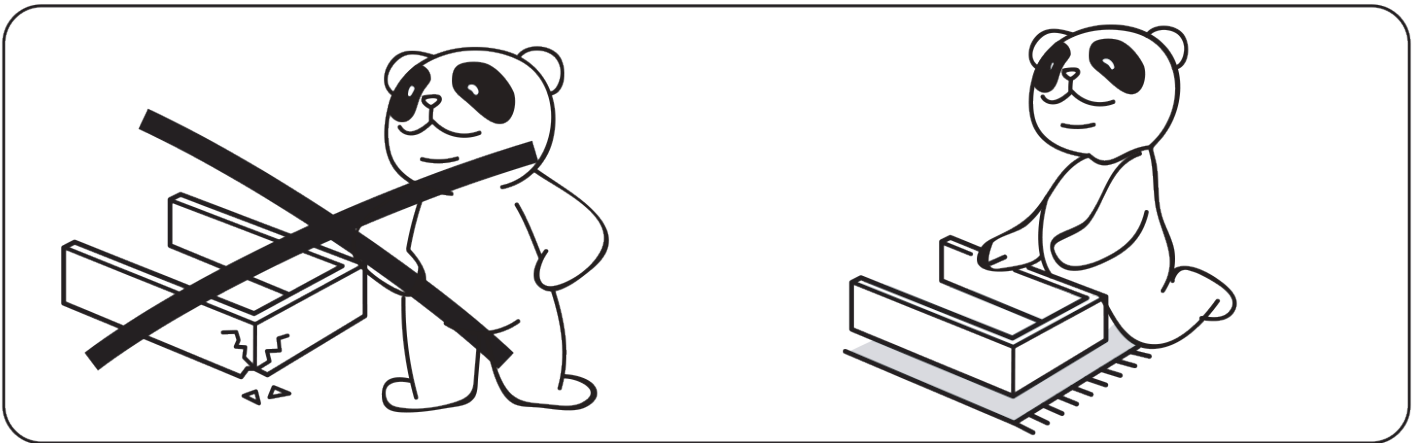
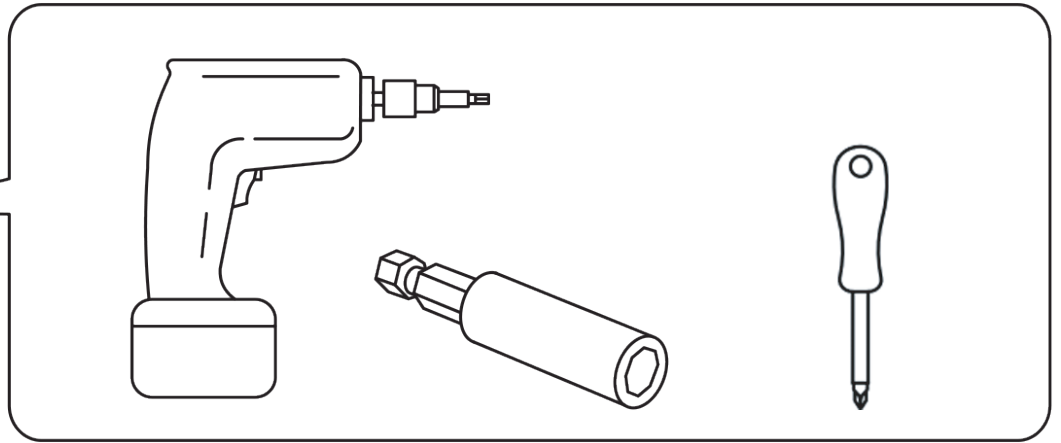


DJ503151



Installation parts



A

x59(+3)
Ø6.5x35mm



B

x66(+3)
Ø15x9.5mm



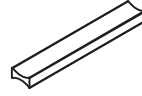
C

x66(+4)
Ø6x30mm



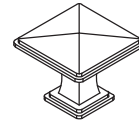
D

x69(+4)
Ø3.5x12mm



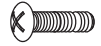
E

x5



F

x2



G

x12 (+2)
Ø4x15mm



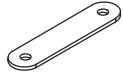
H

x44(+2)
Ø4x35mm

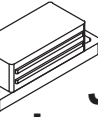


I

x4
Ø3x14mm



J1



J2

x2



K2



K

x1



L

x2
Ø6x30mm



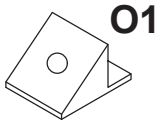
M

x2



N

x4
Ø5x16mm

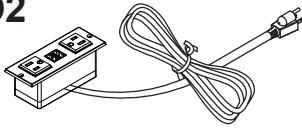


O1



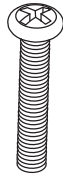
O2

O
x22(+2)



P

x1



Q

x3
M6x50mm



R

x10
Ø9.4x9mm



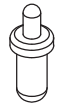
S

x2
M6x15mm



T

x2
Ø8x20mm



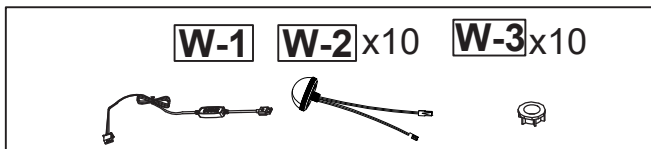
U

x4



V

x1



W

x1



X

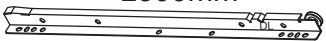
x7
Ø6.5x60mm



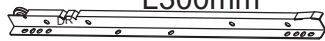
CLx5
L300mm



CR x5
L300mm

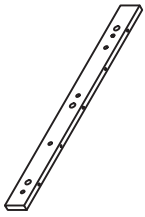


DLx5
L300mm

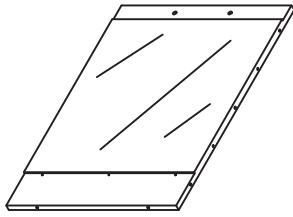


DRx5
L300mm

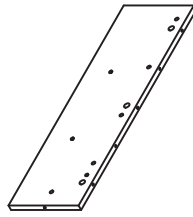
Install the footstool



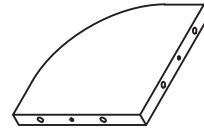
1
x1



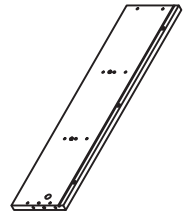
2
x1



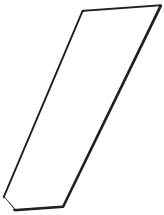
3
x1



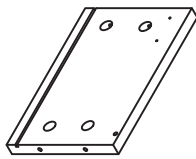
4
x2



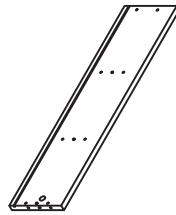
5
x1



6
x1



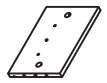
7
x1



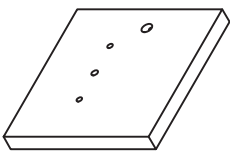
8
x1



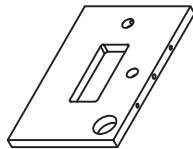
9
x2



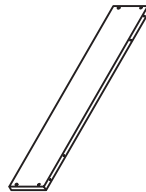
10
x1



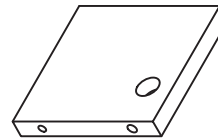
11
x1



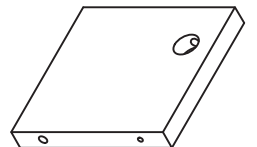
12
x1



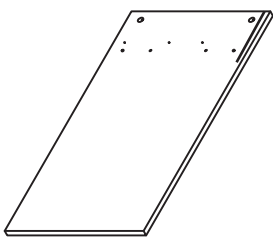
13
x1



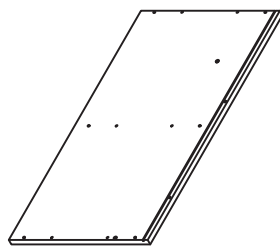
14
x1



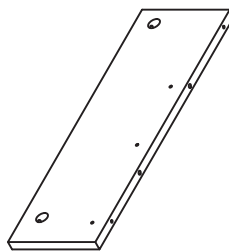
15
x1



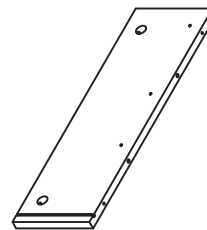
16
x1



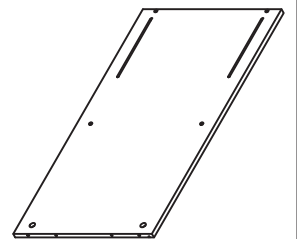
17
x1



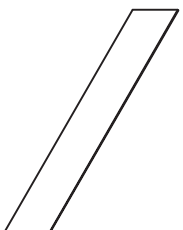
18
x1



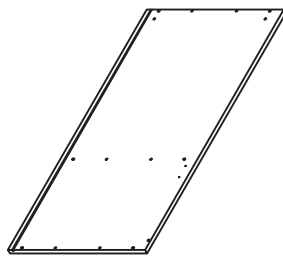
19
x1



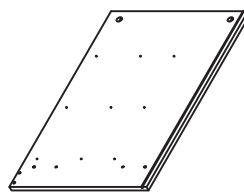
20
x1



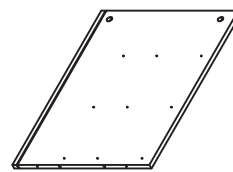
21
x1



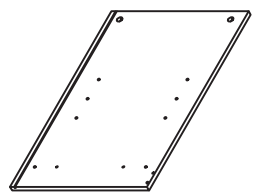
22
x1



23
x1

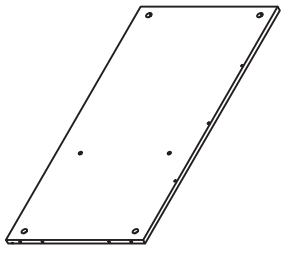


24
x1

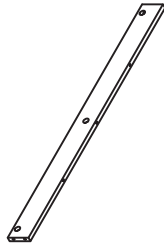


25
x1

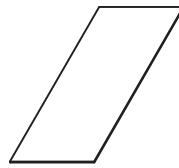
Install the footstool



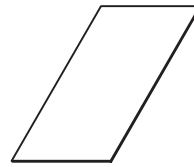
26
x1



27
x1



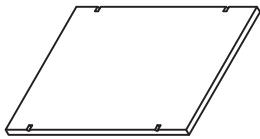
28
x2



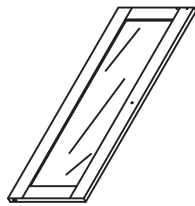
29
x1



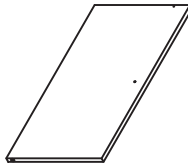
30
x1



31
x1

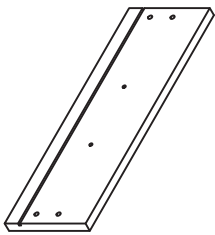


32
x1

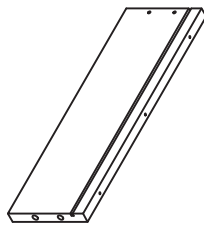


33
x1

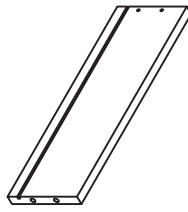
Drawer



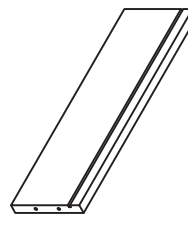
34
x2



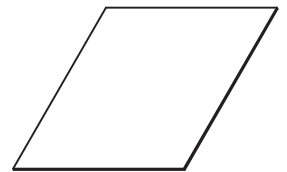
35
x2



36
x2

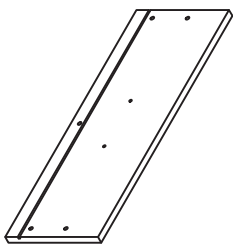


37
x2

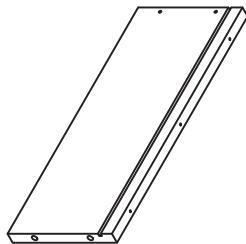


38
x2

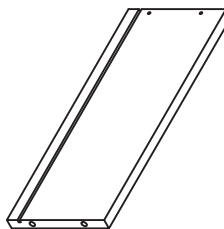
Drawer



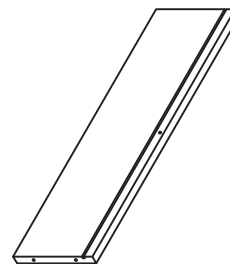
39
x3



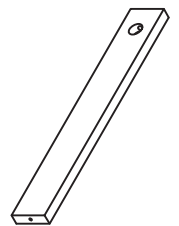
40
x3



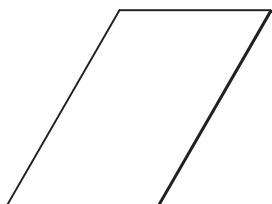
41
x3



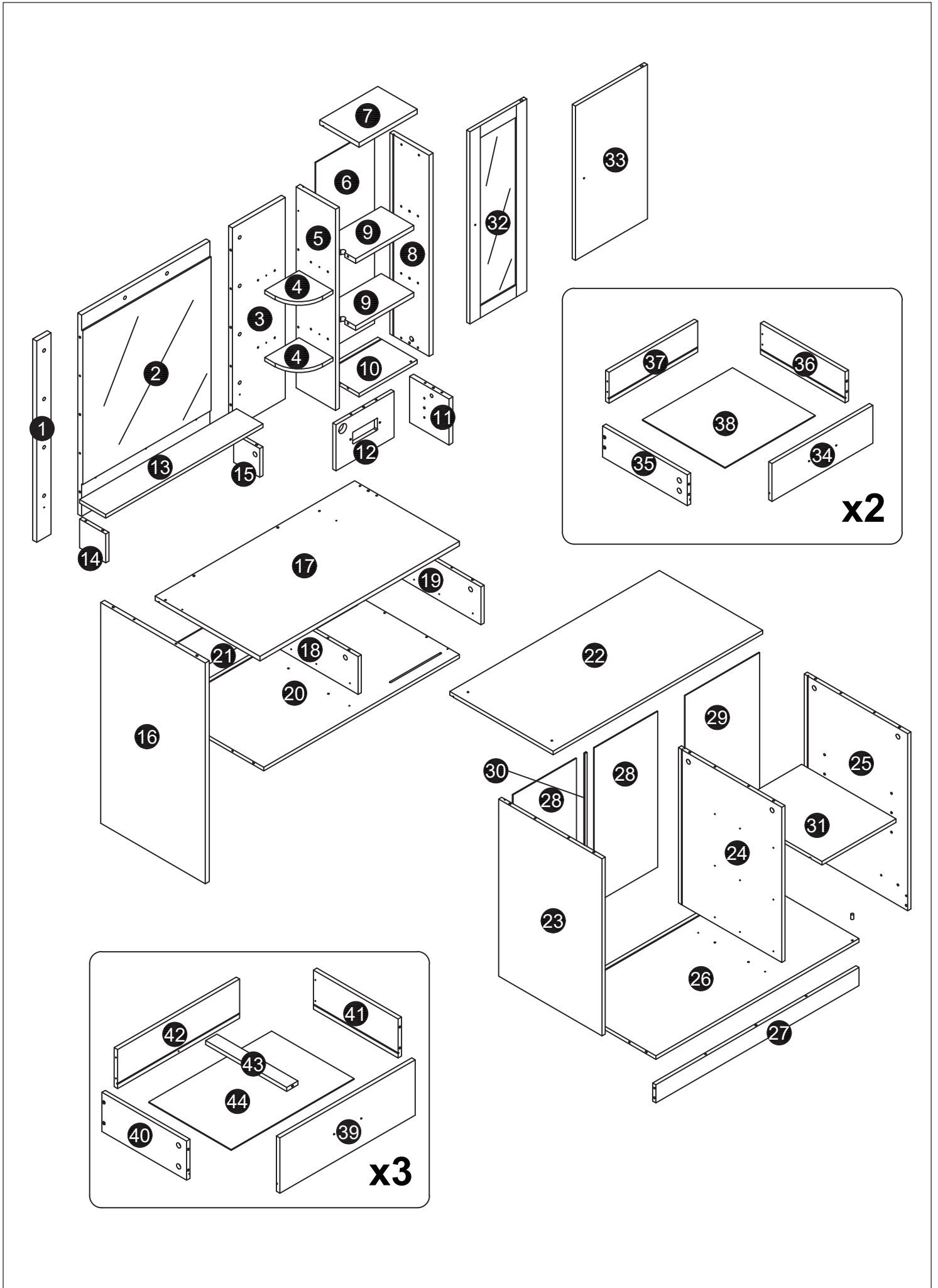
42
x3



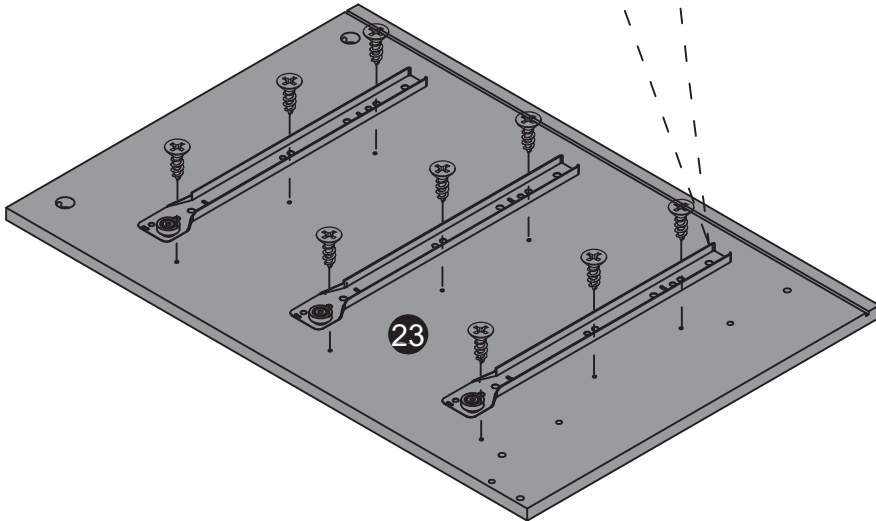
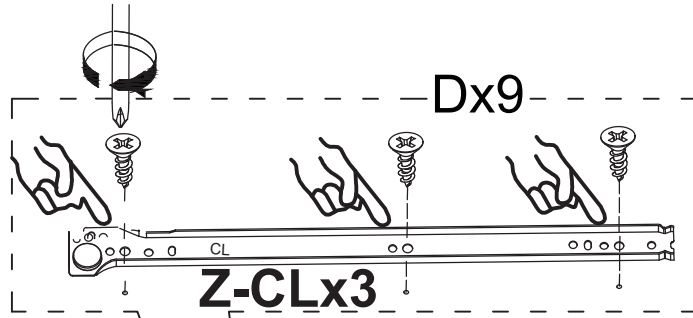
43
x3



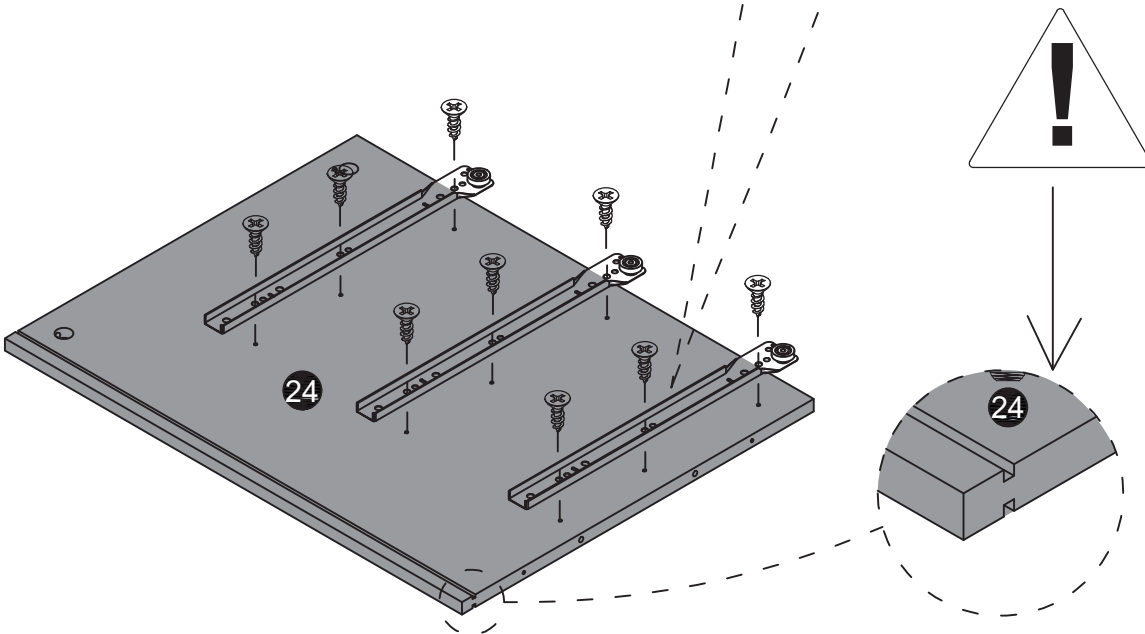
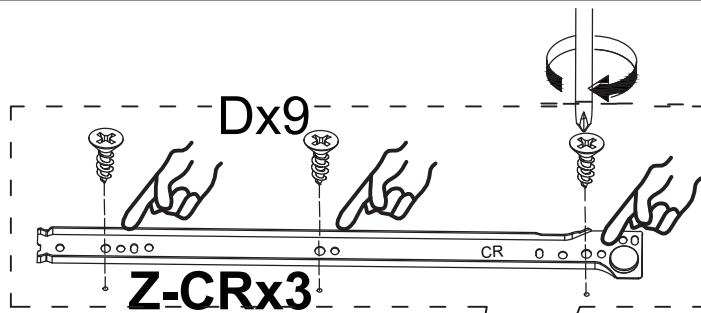
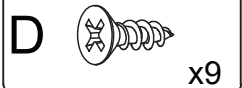
44
x3



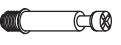
1

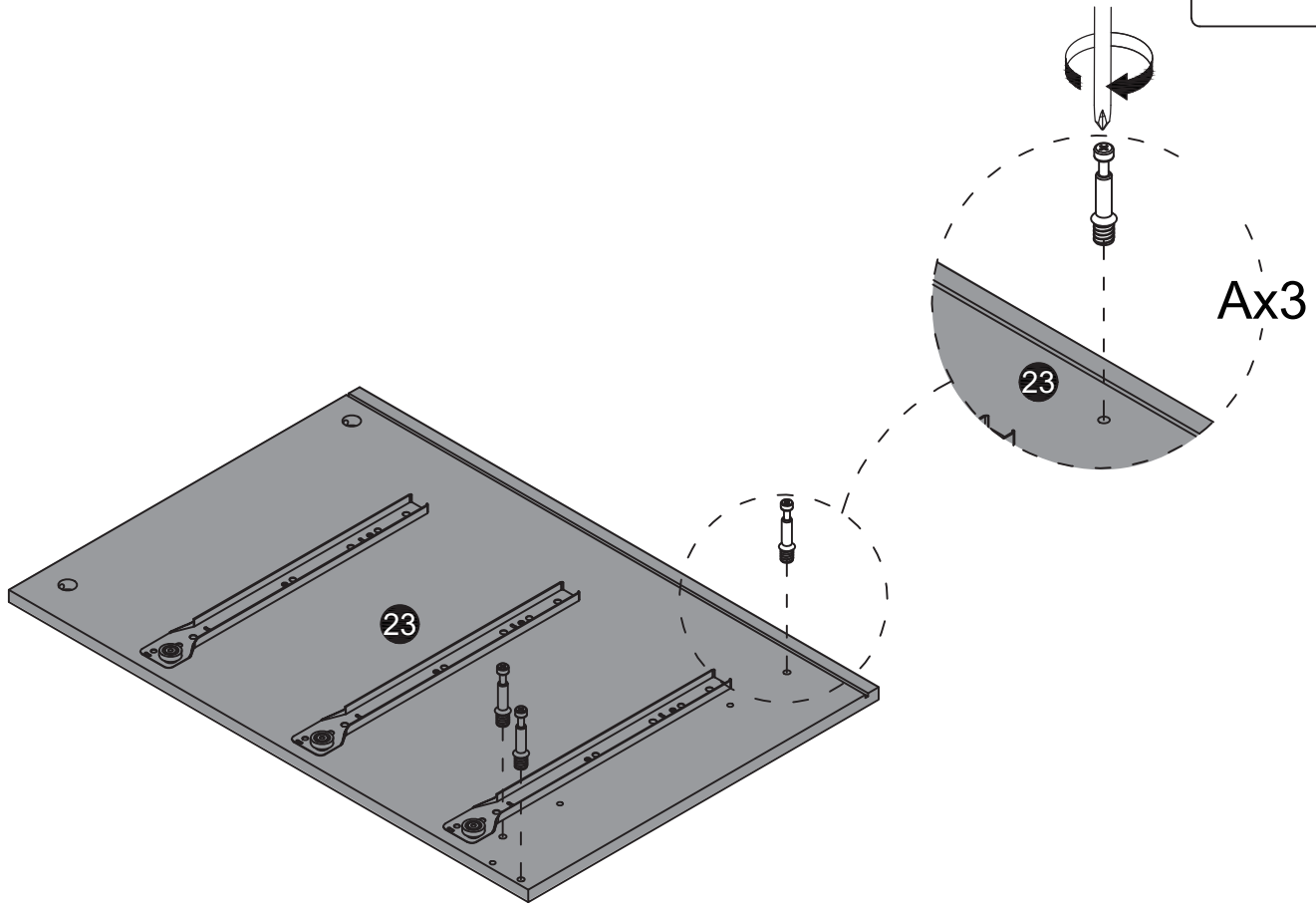


2

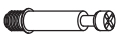


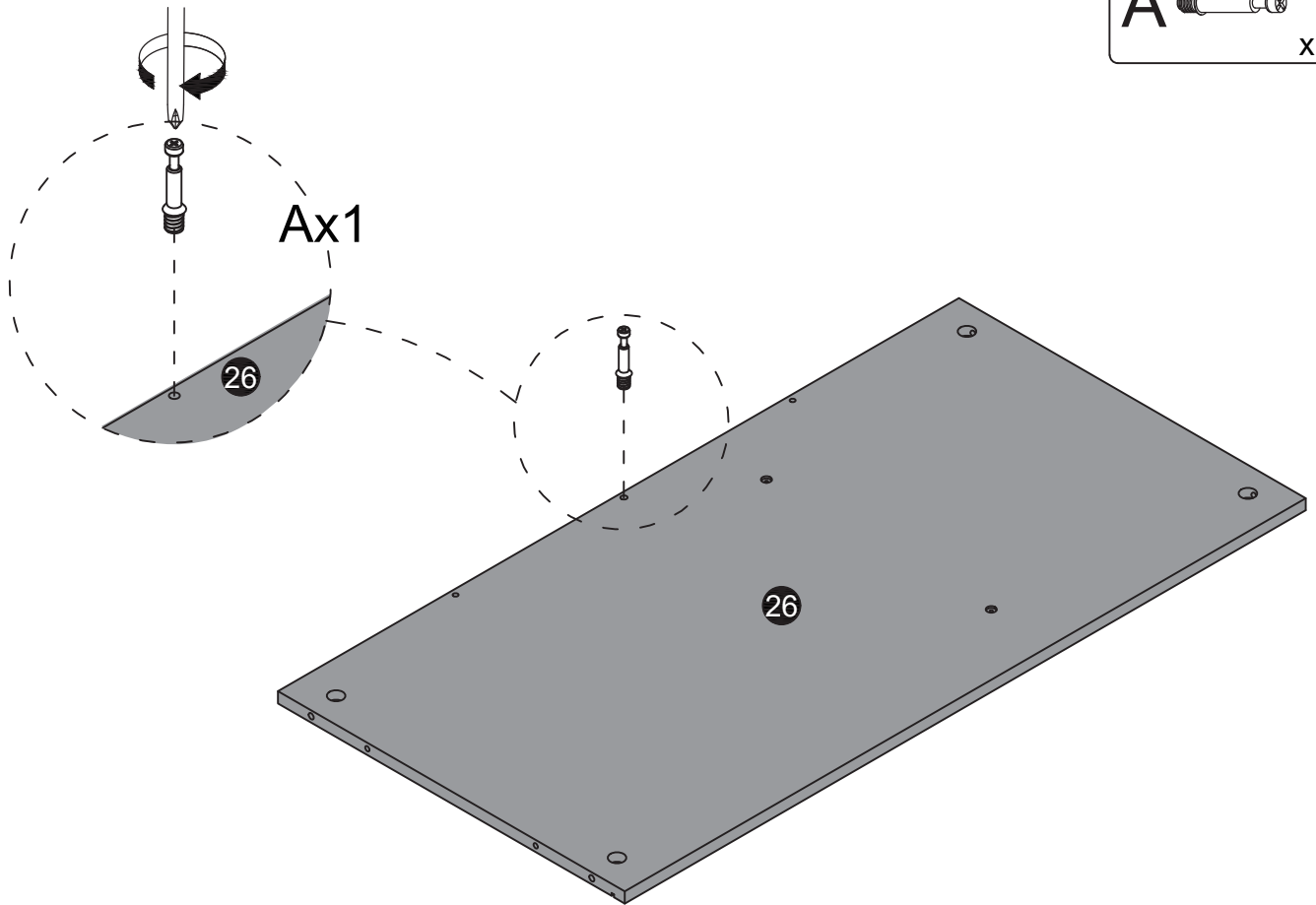
3

A  x3




4

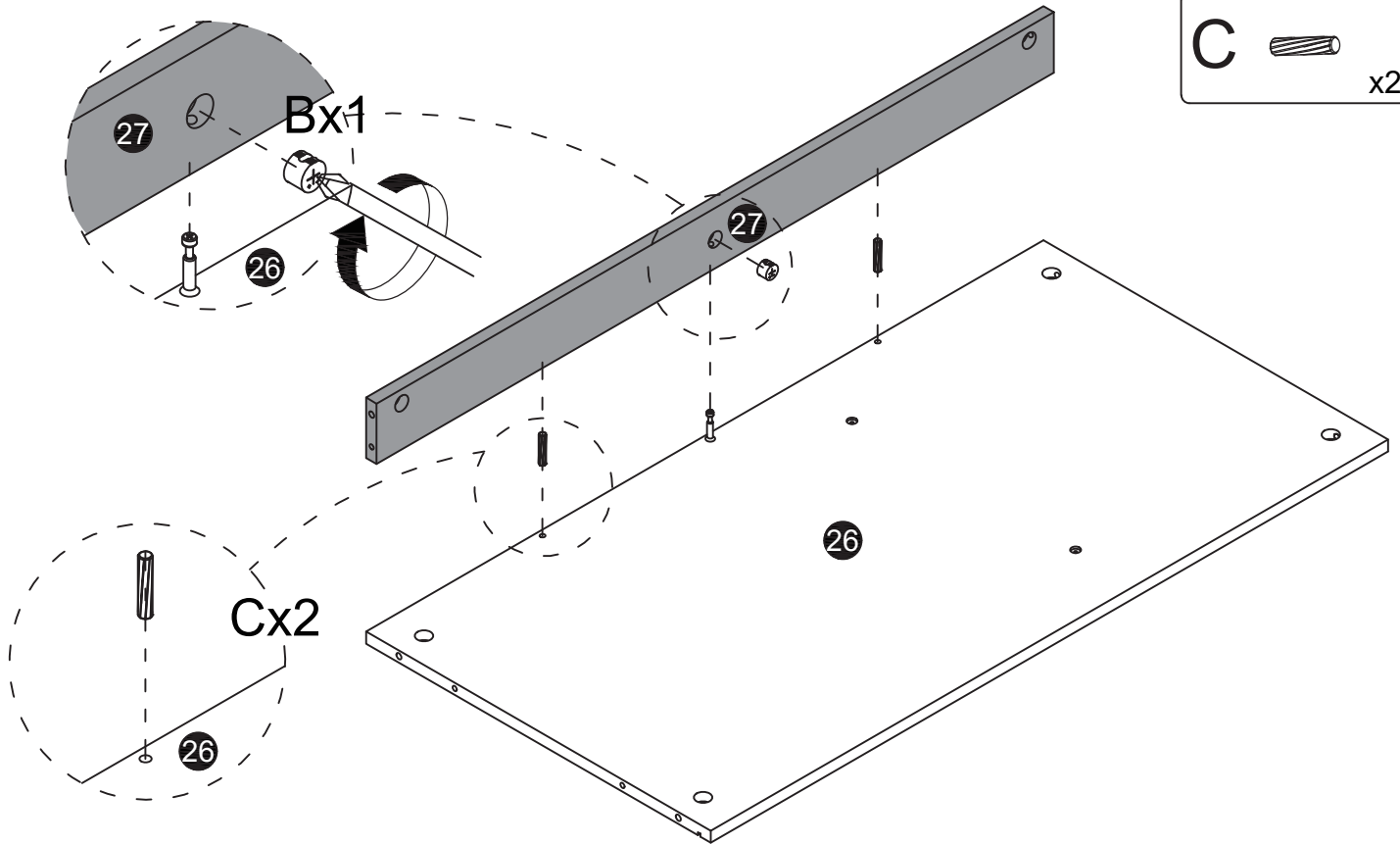
A  x1



5


B  x1

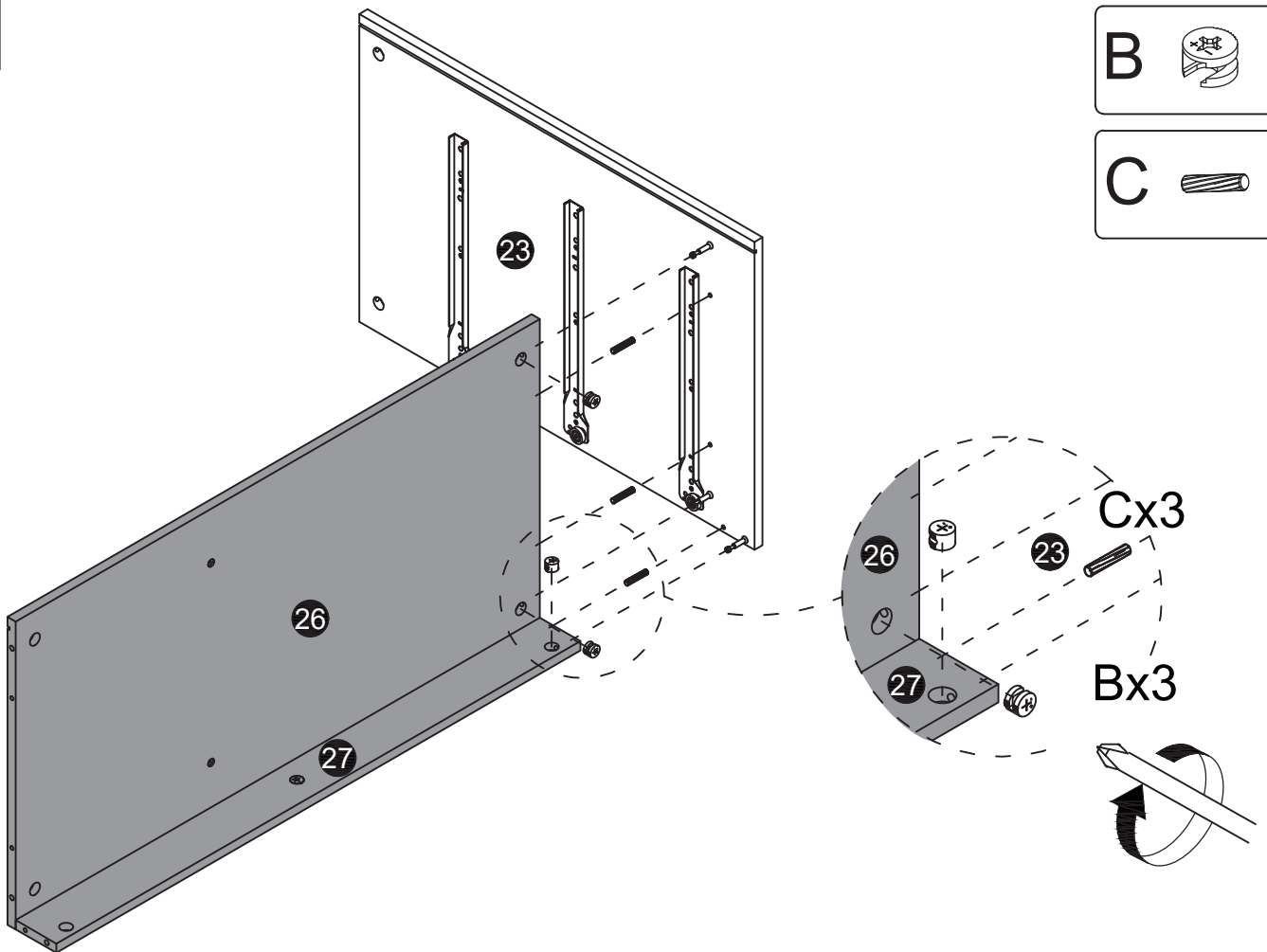
C  x2




6


B  x3

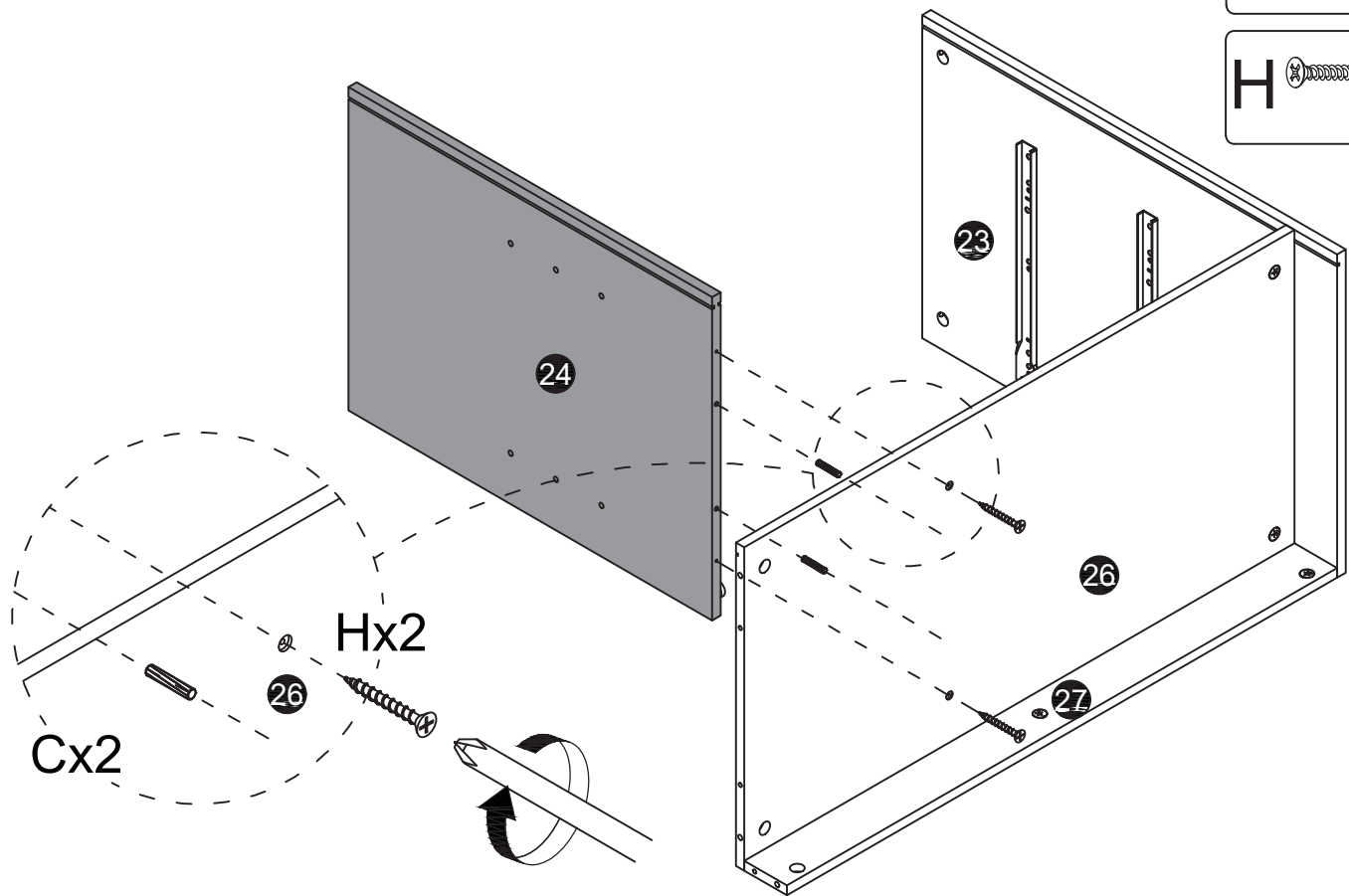
C  x3




7

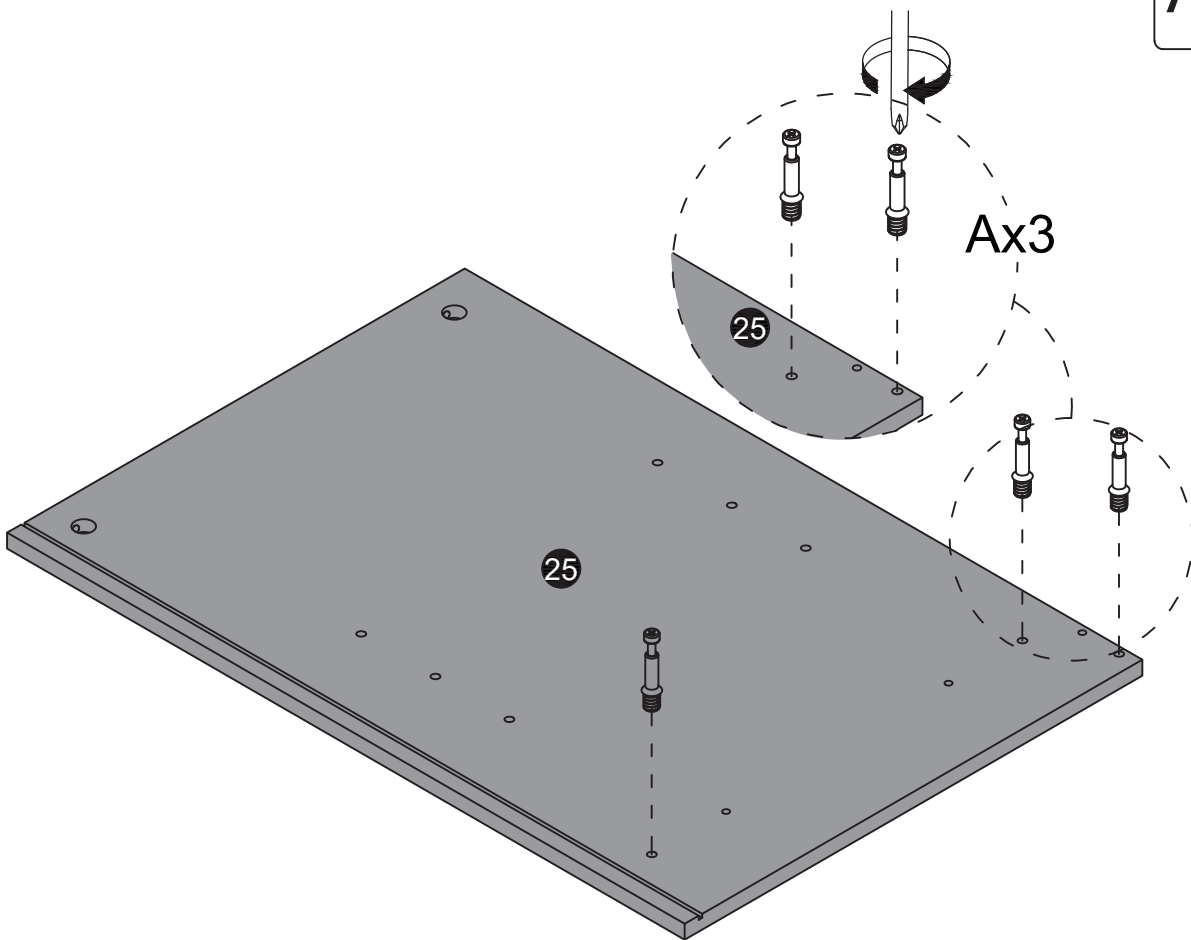
C  x2

H  x2

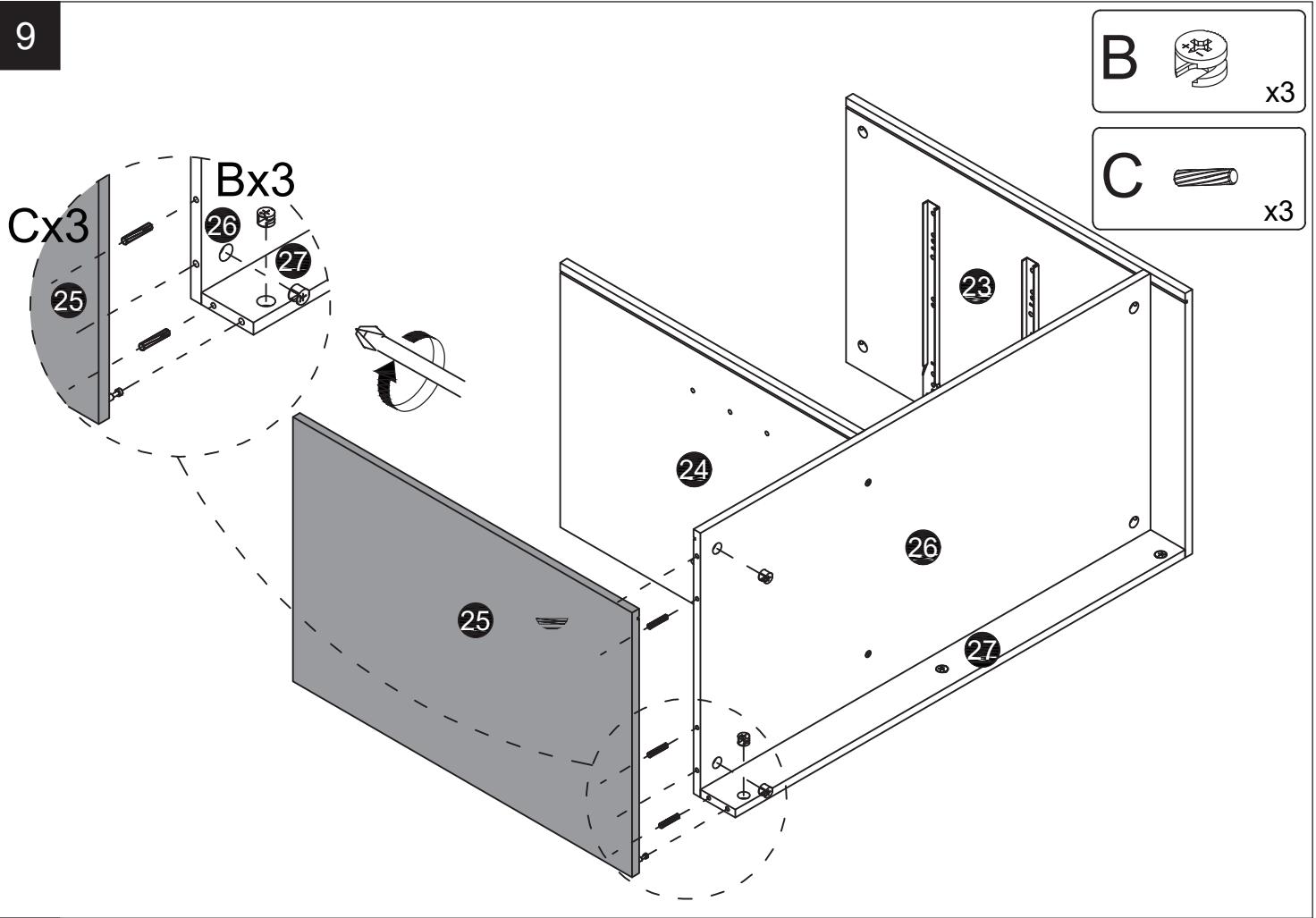


8

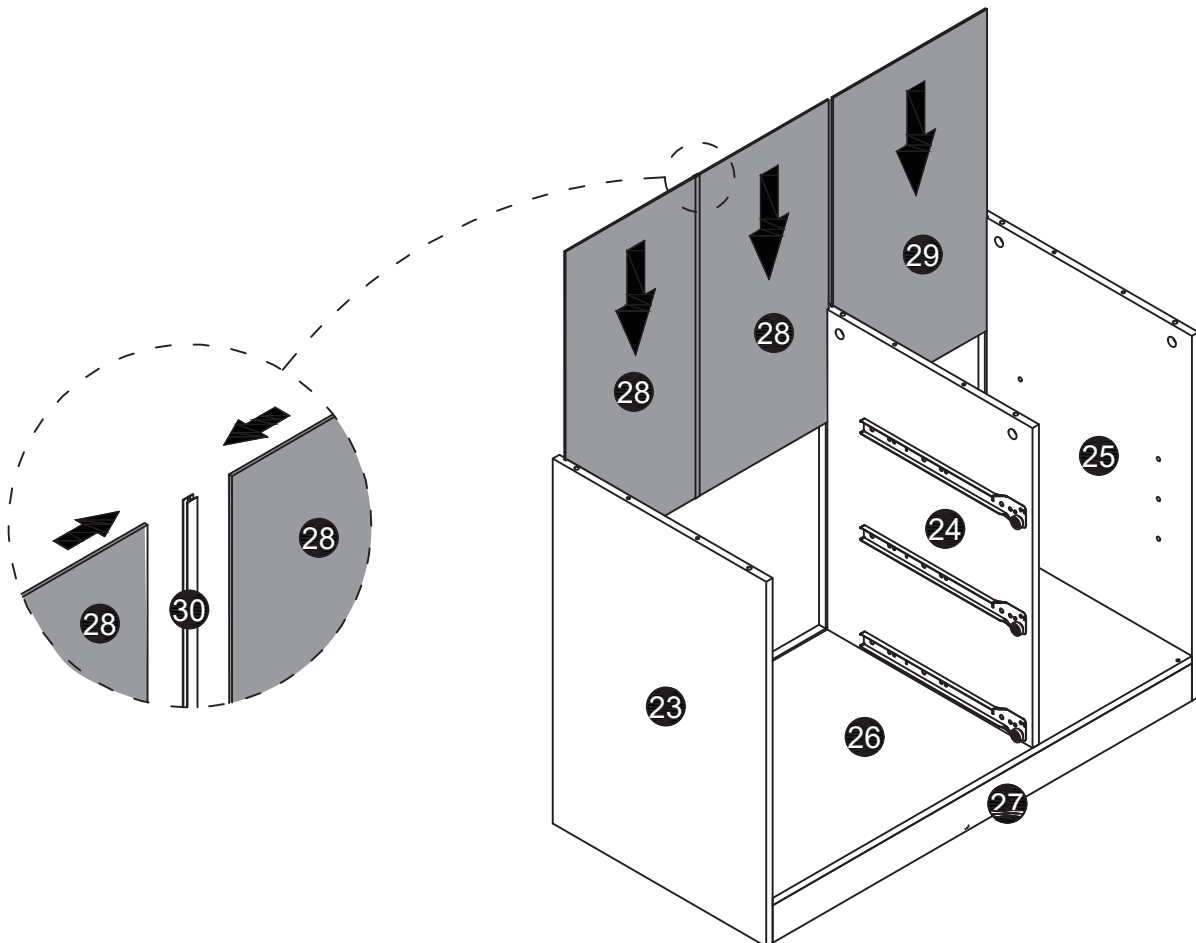
A  x3

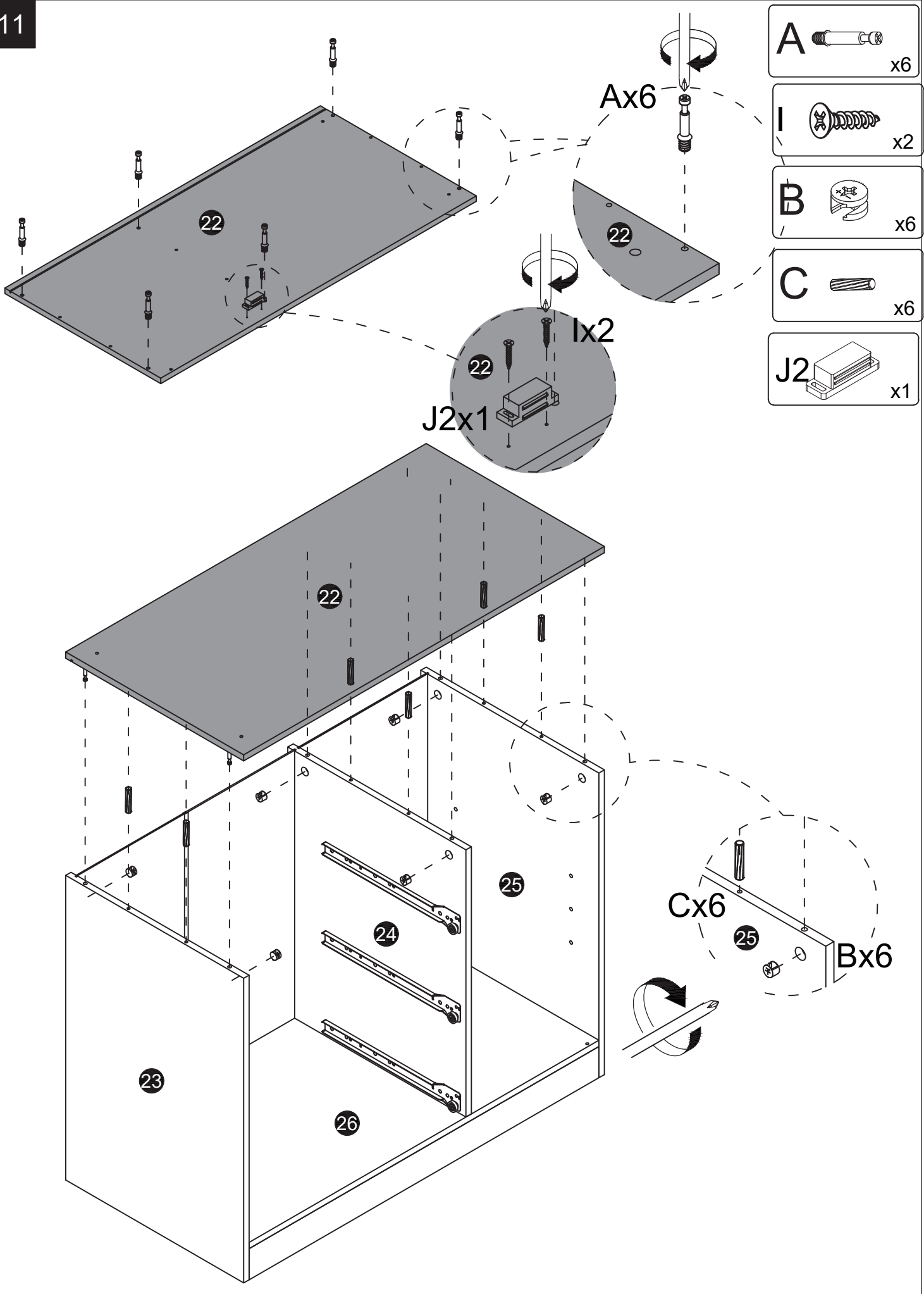


9

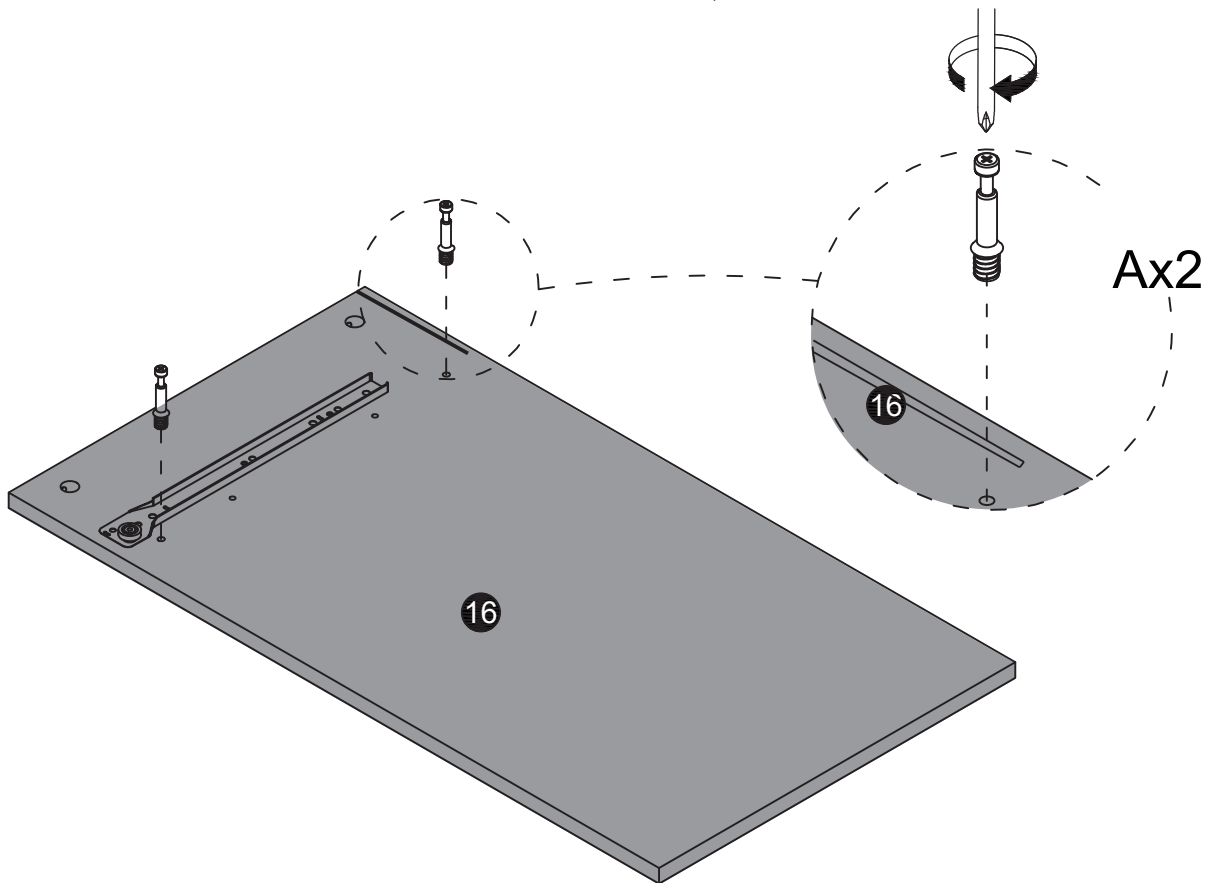
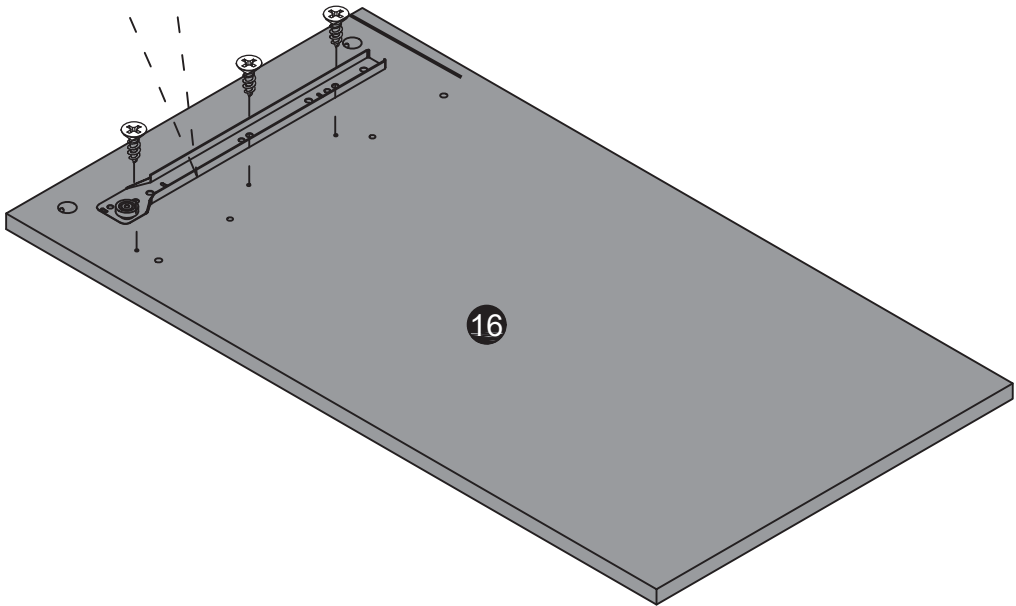
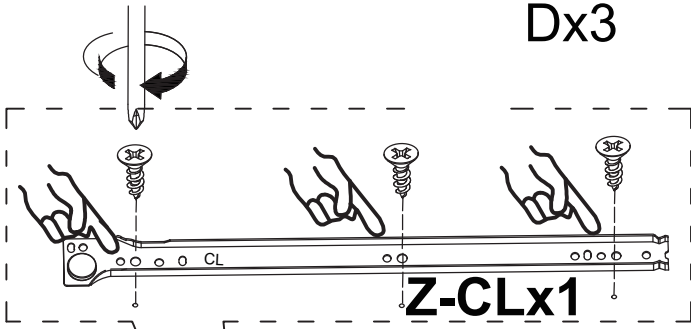
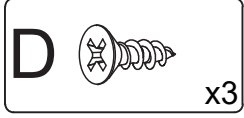
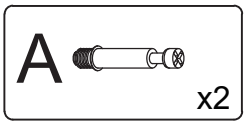


10

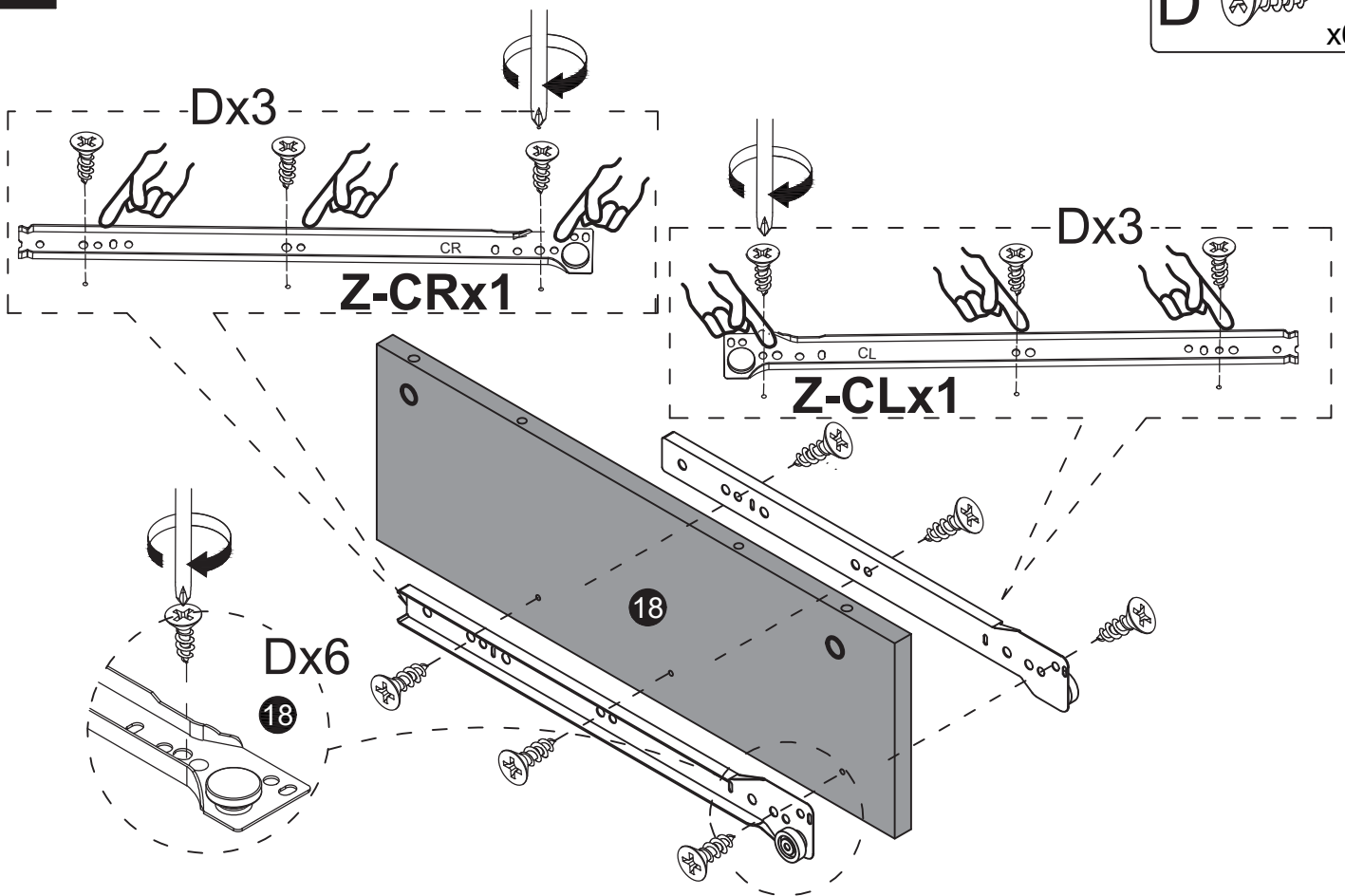
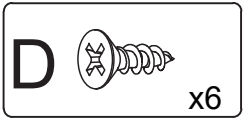




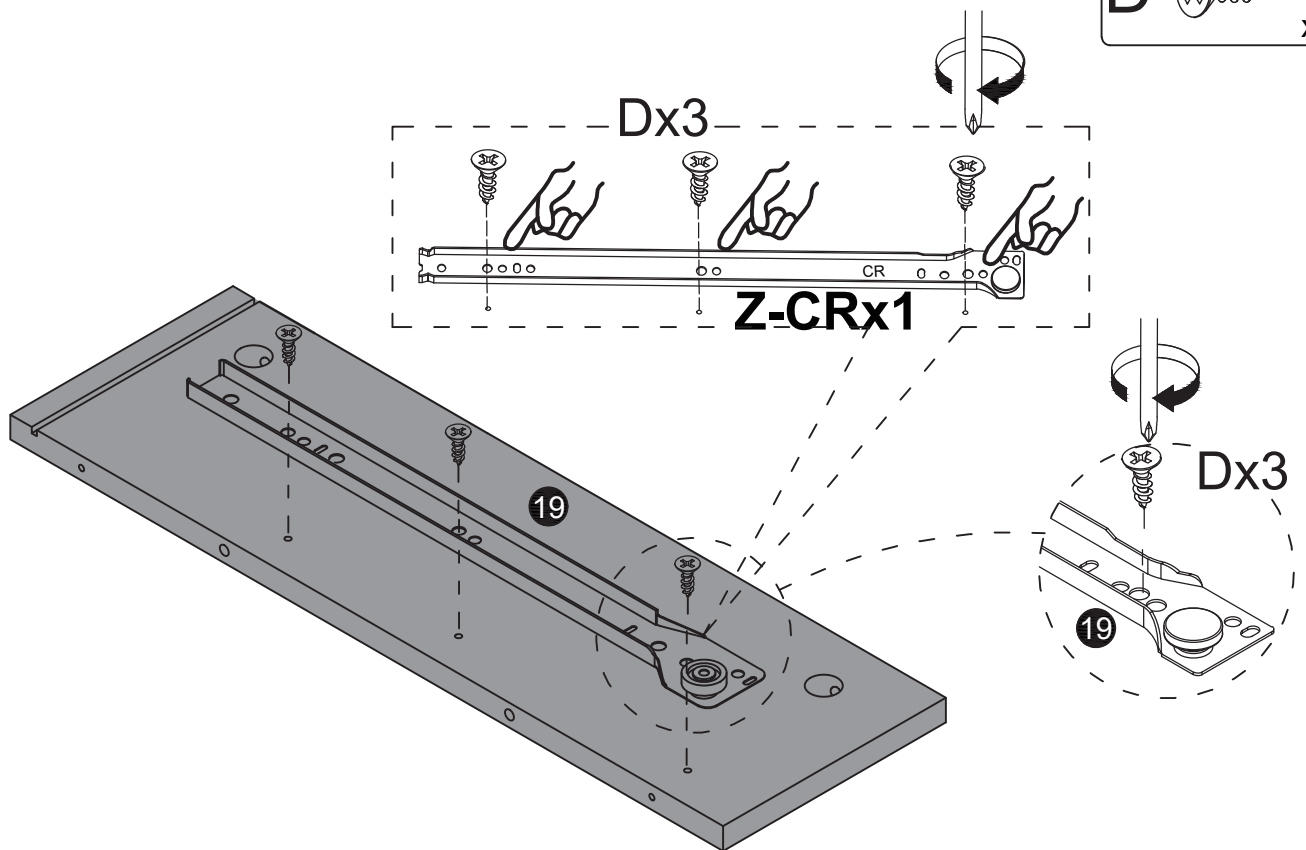
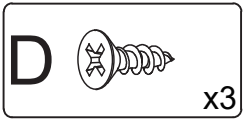
Dx3



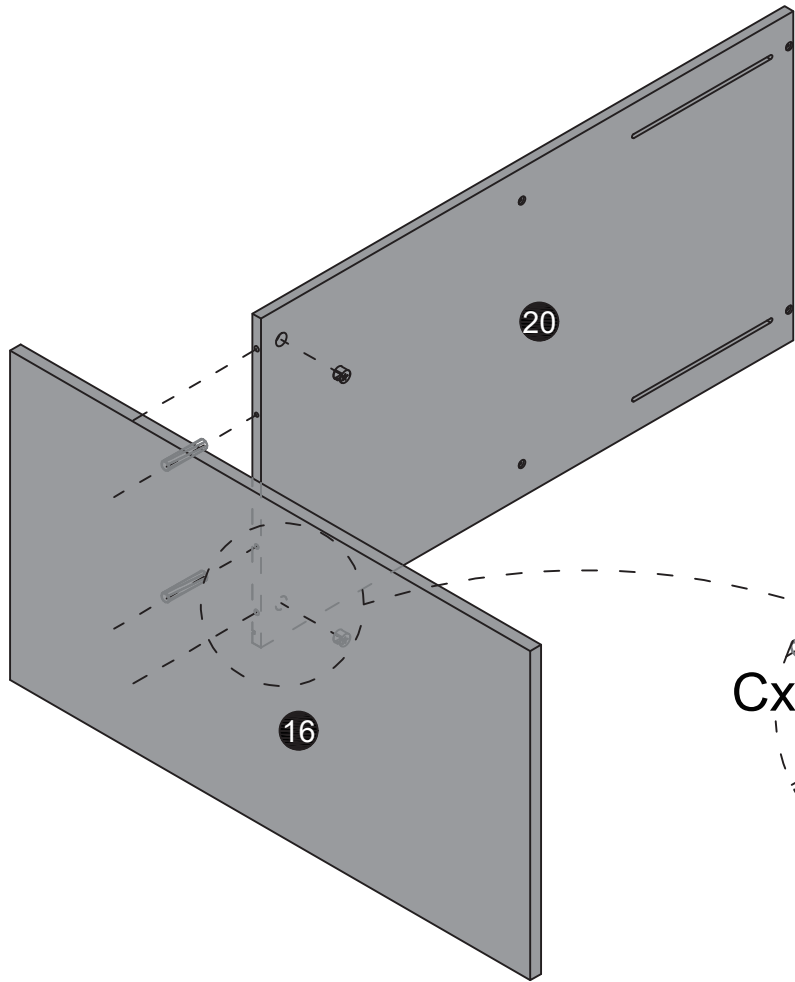
13





14

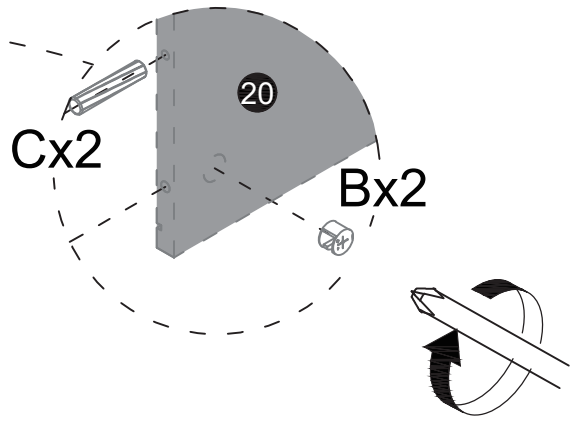


15

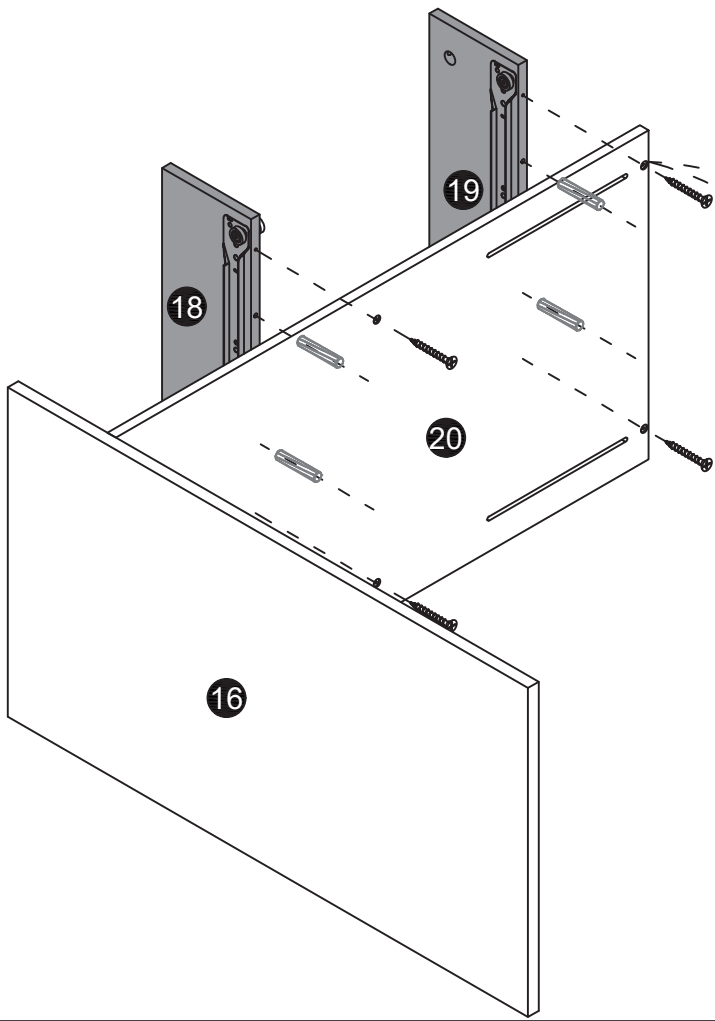



B  x2


C  x2

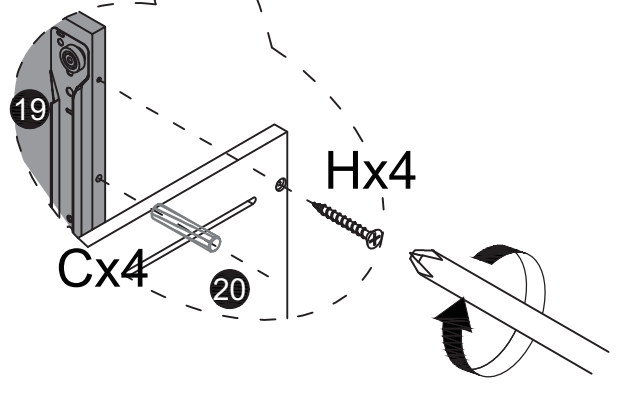


16

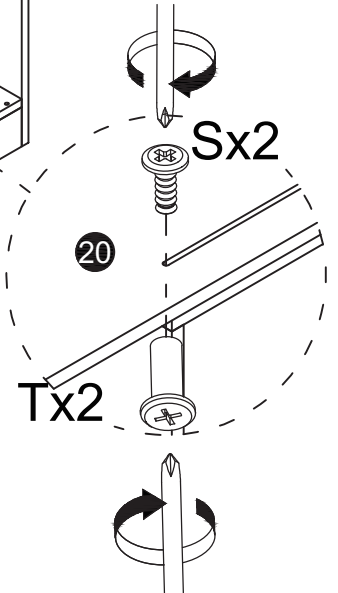
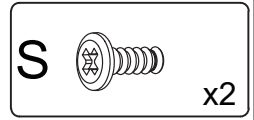
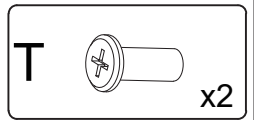
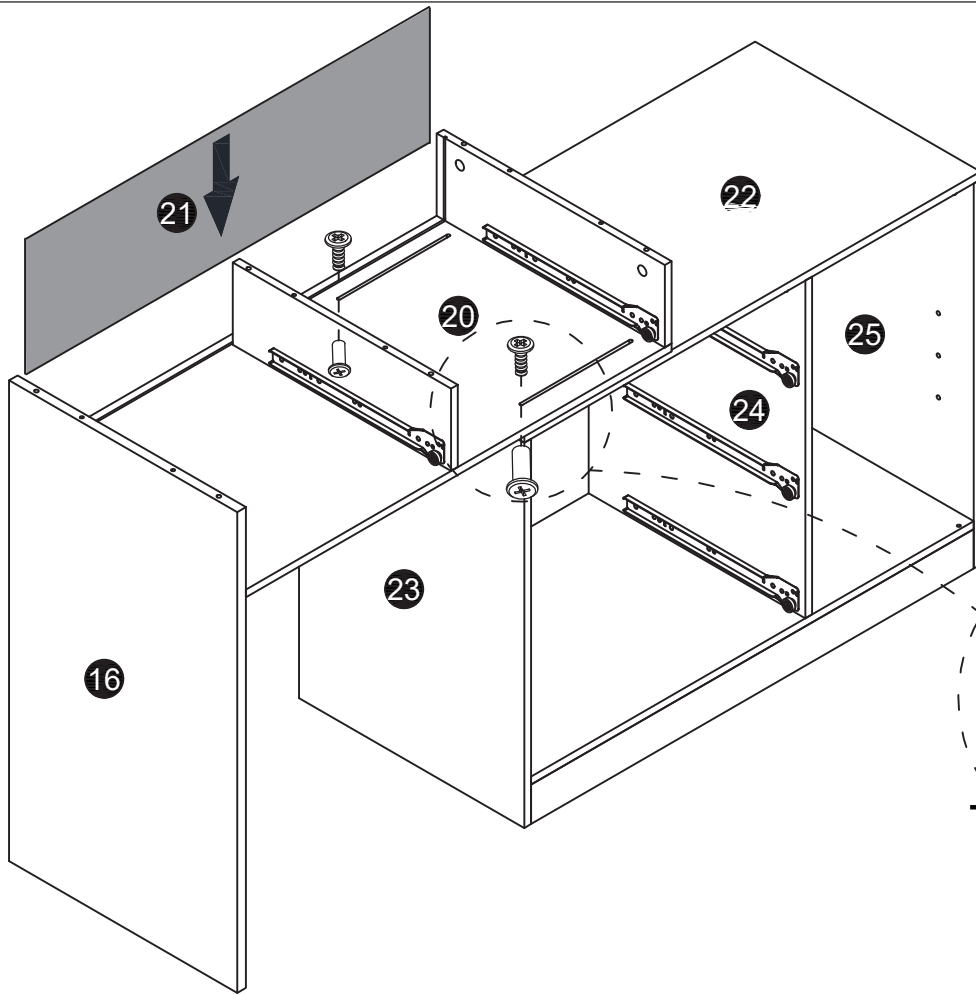


C  x4

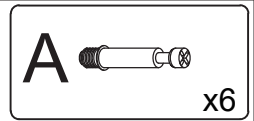
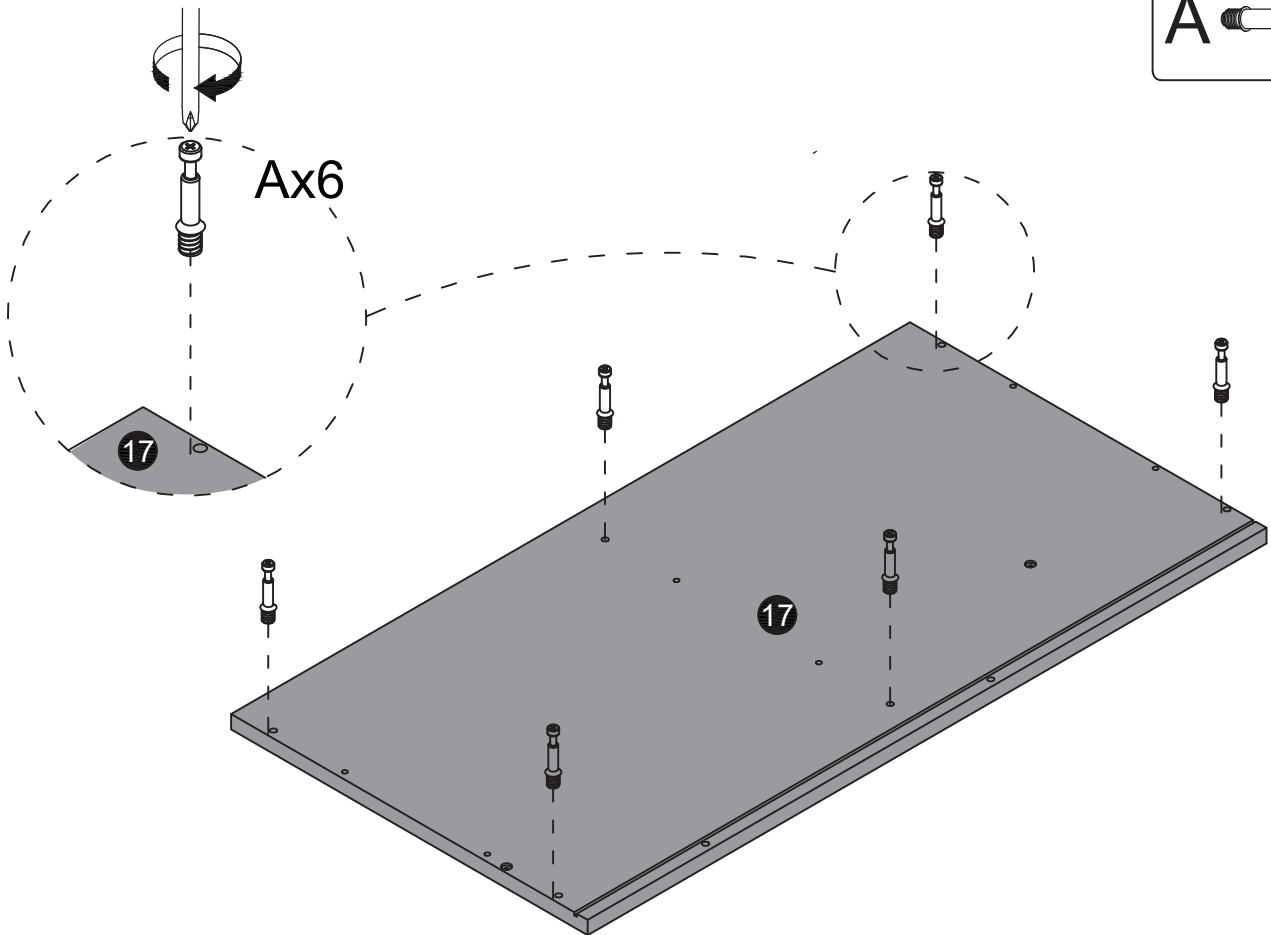
H  x4



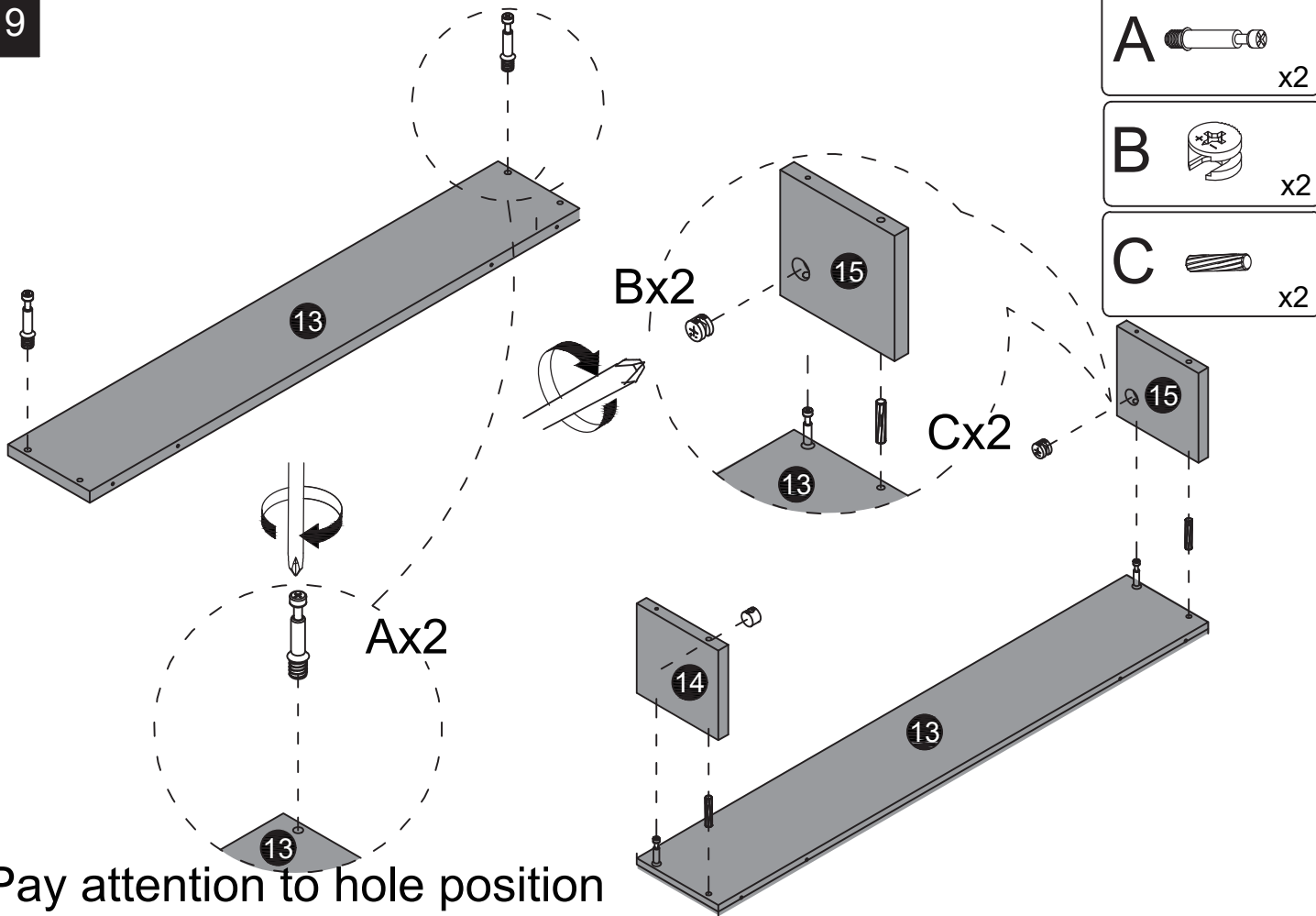
17



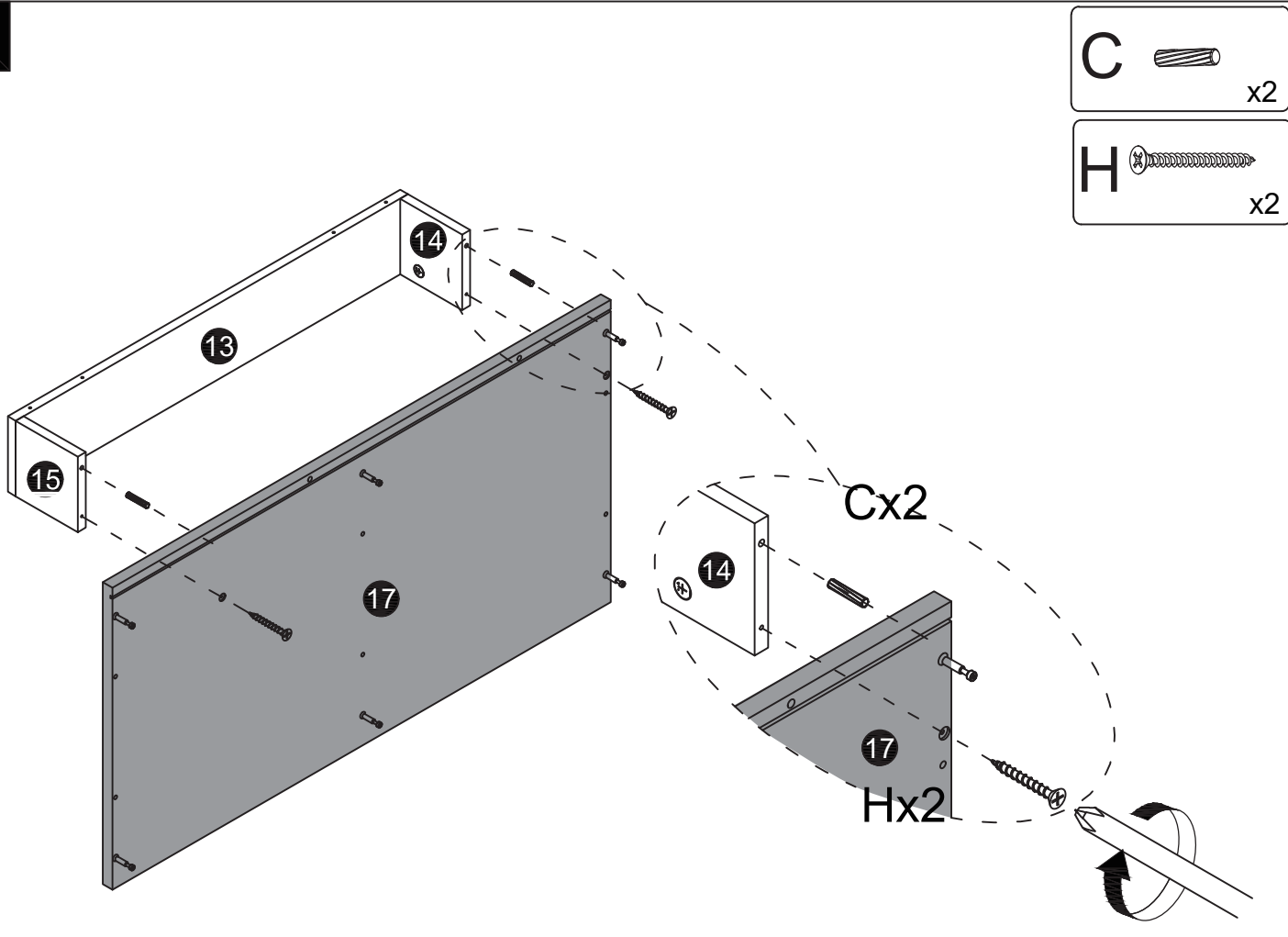
18





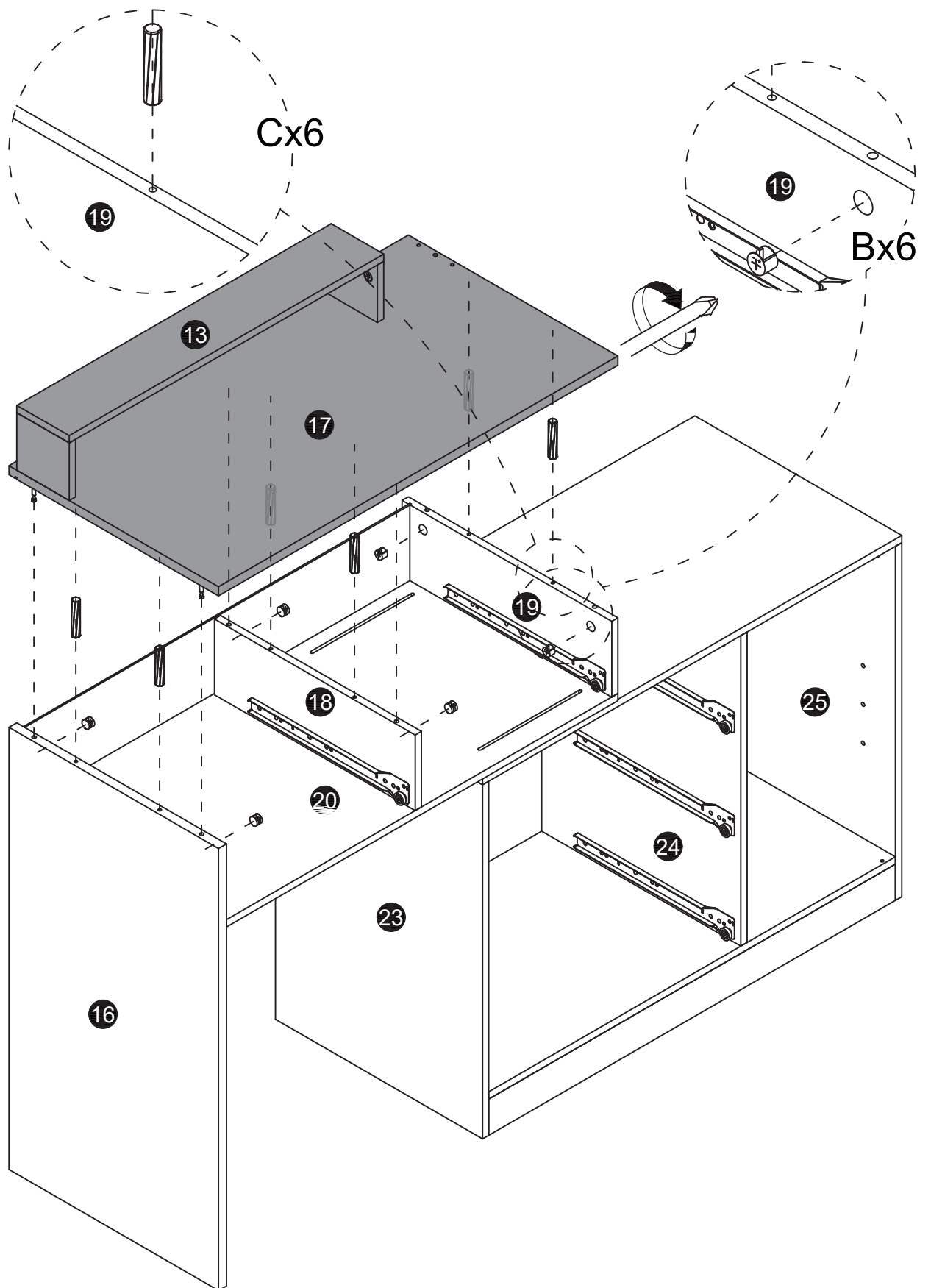
19

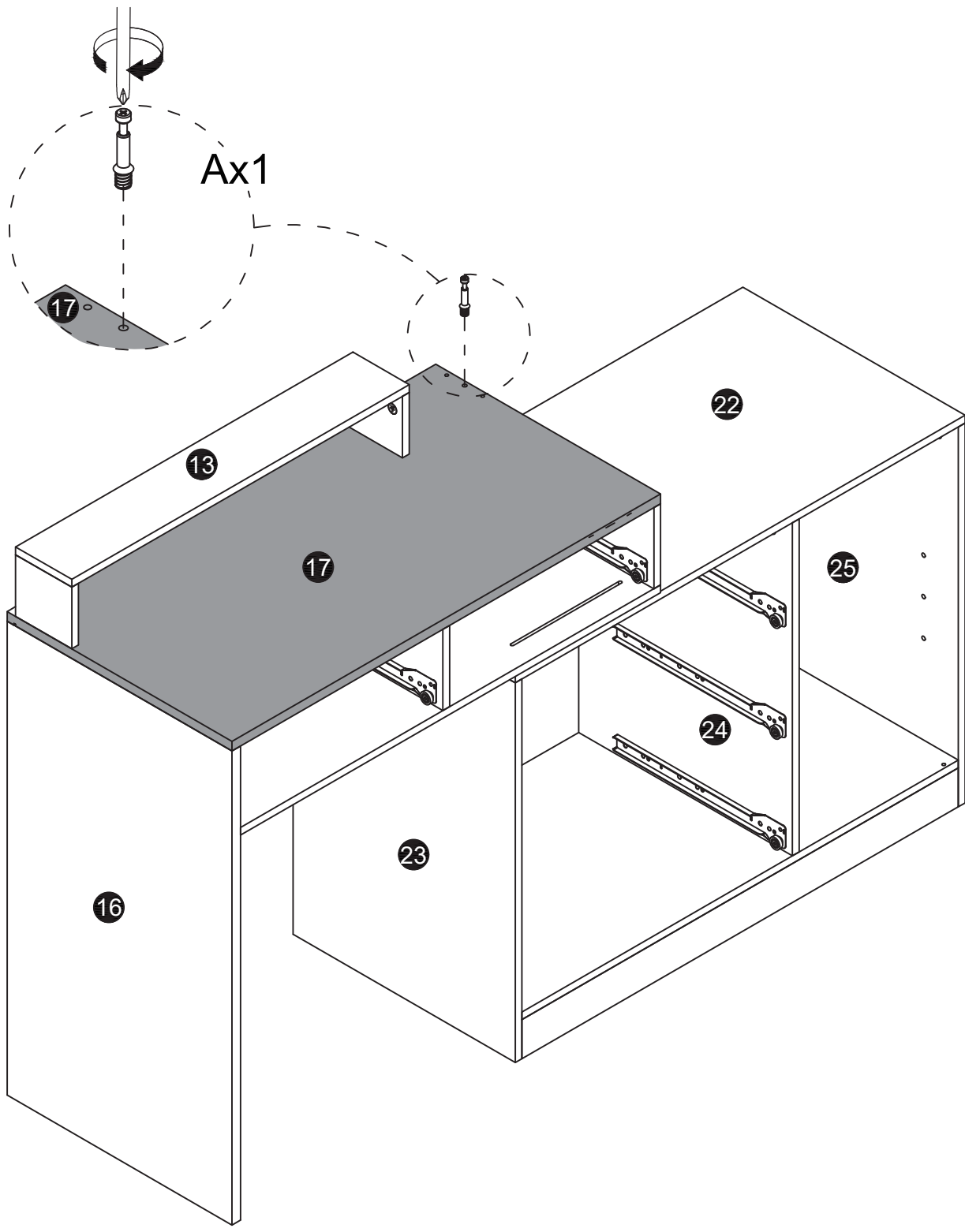
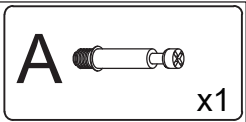


20





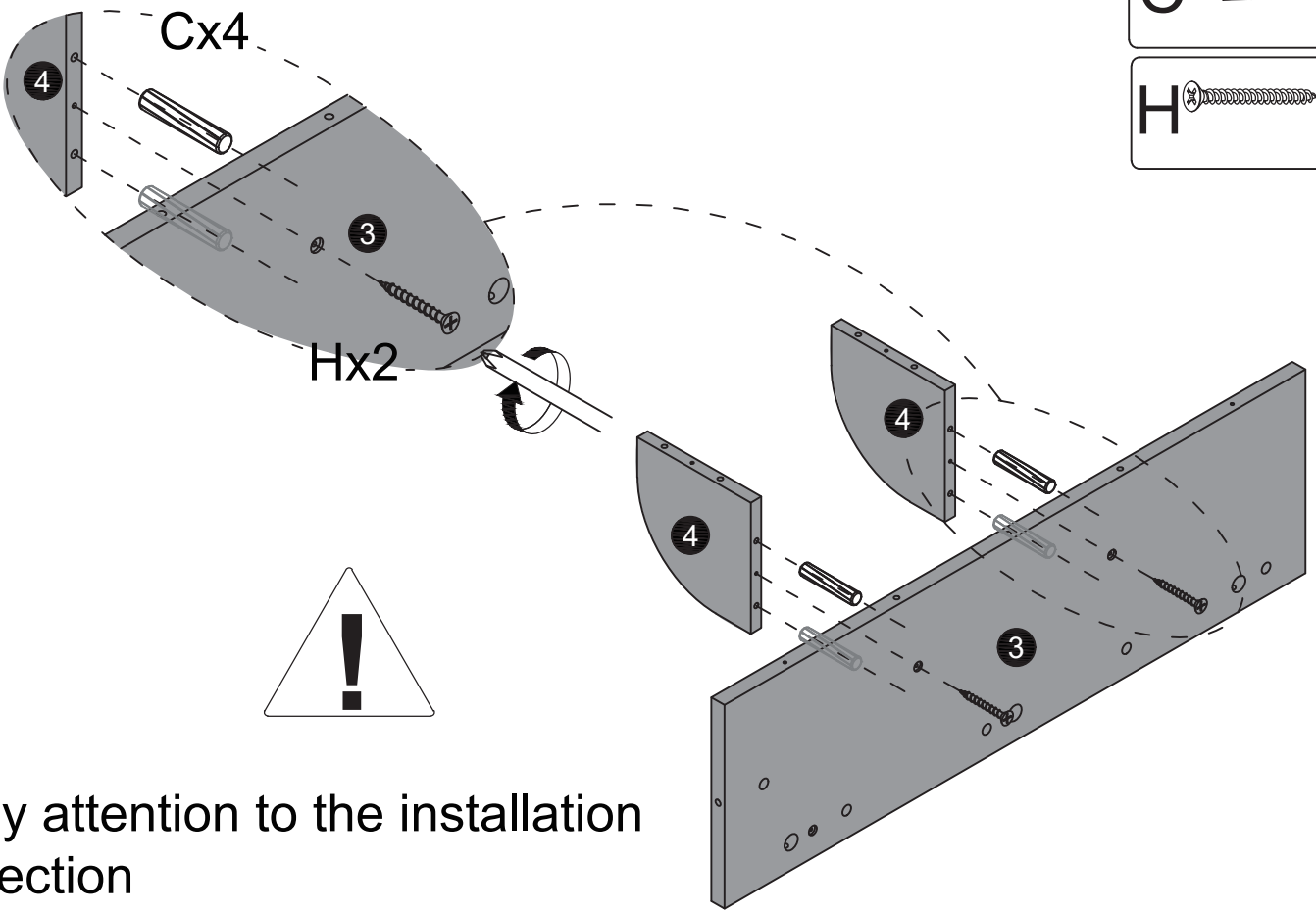
- B**  x6
- C**  x6







23

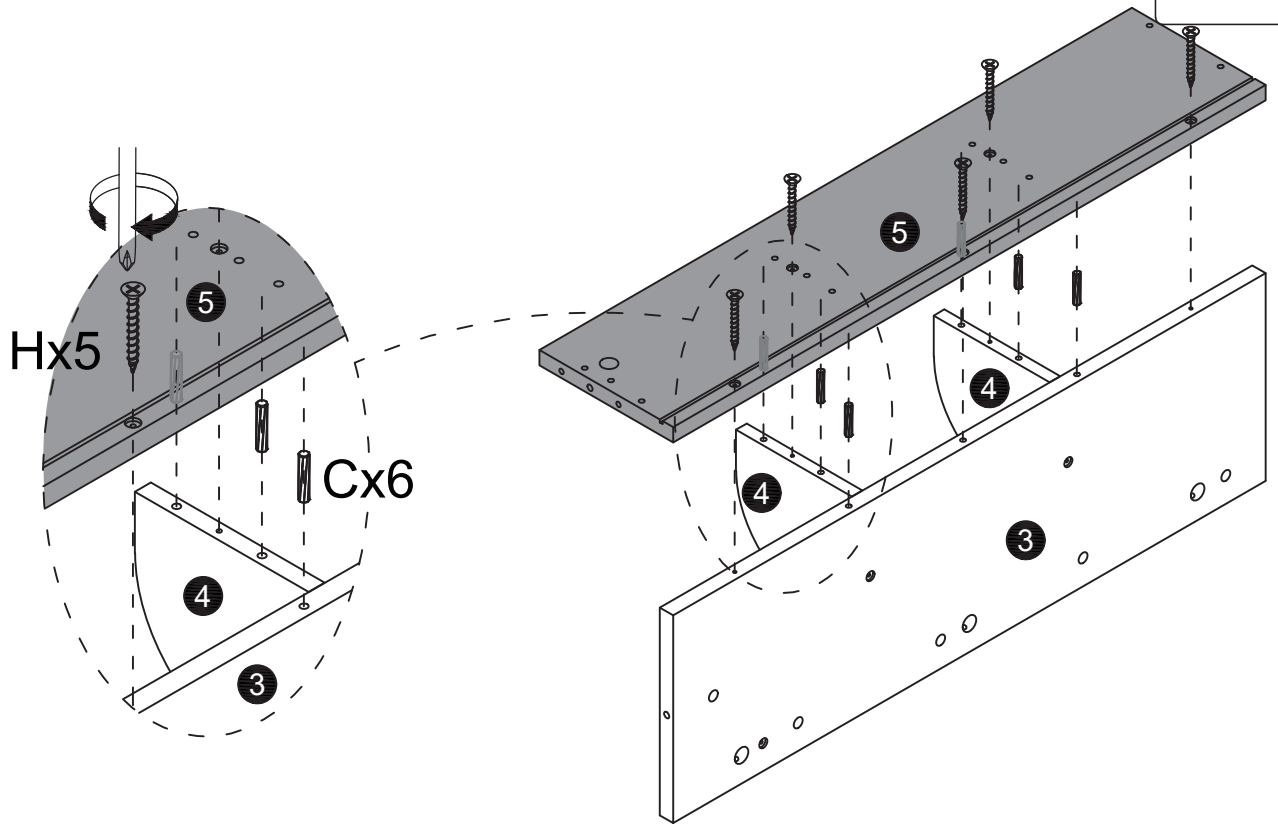
C		x4
H		x2

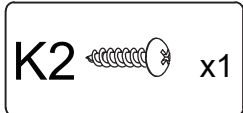


Pay attention to the installation direction

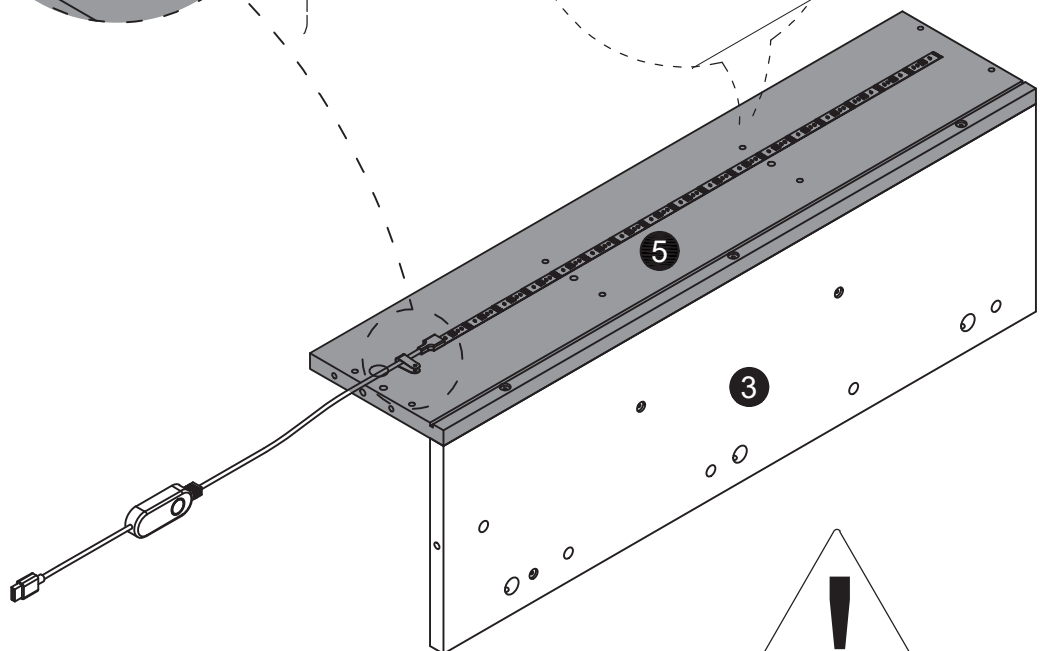
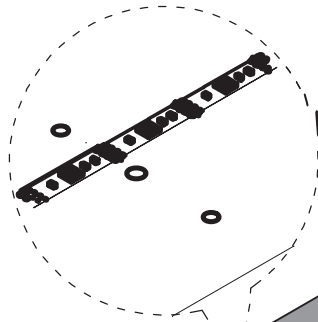
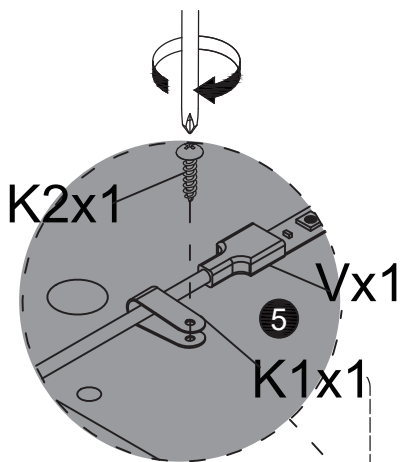
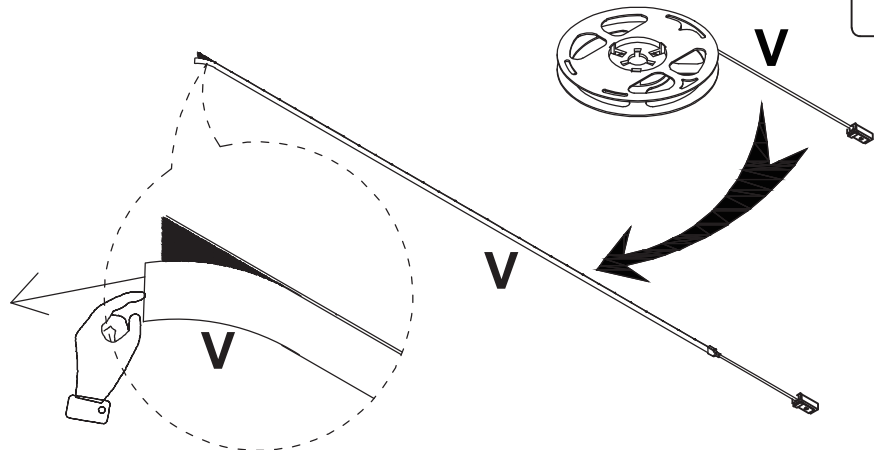
24

C		x6
H		x5



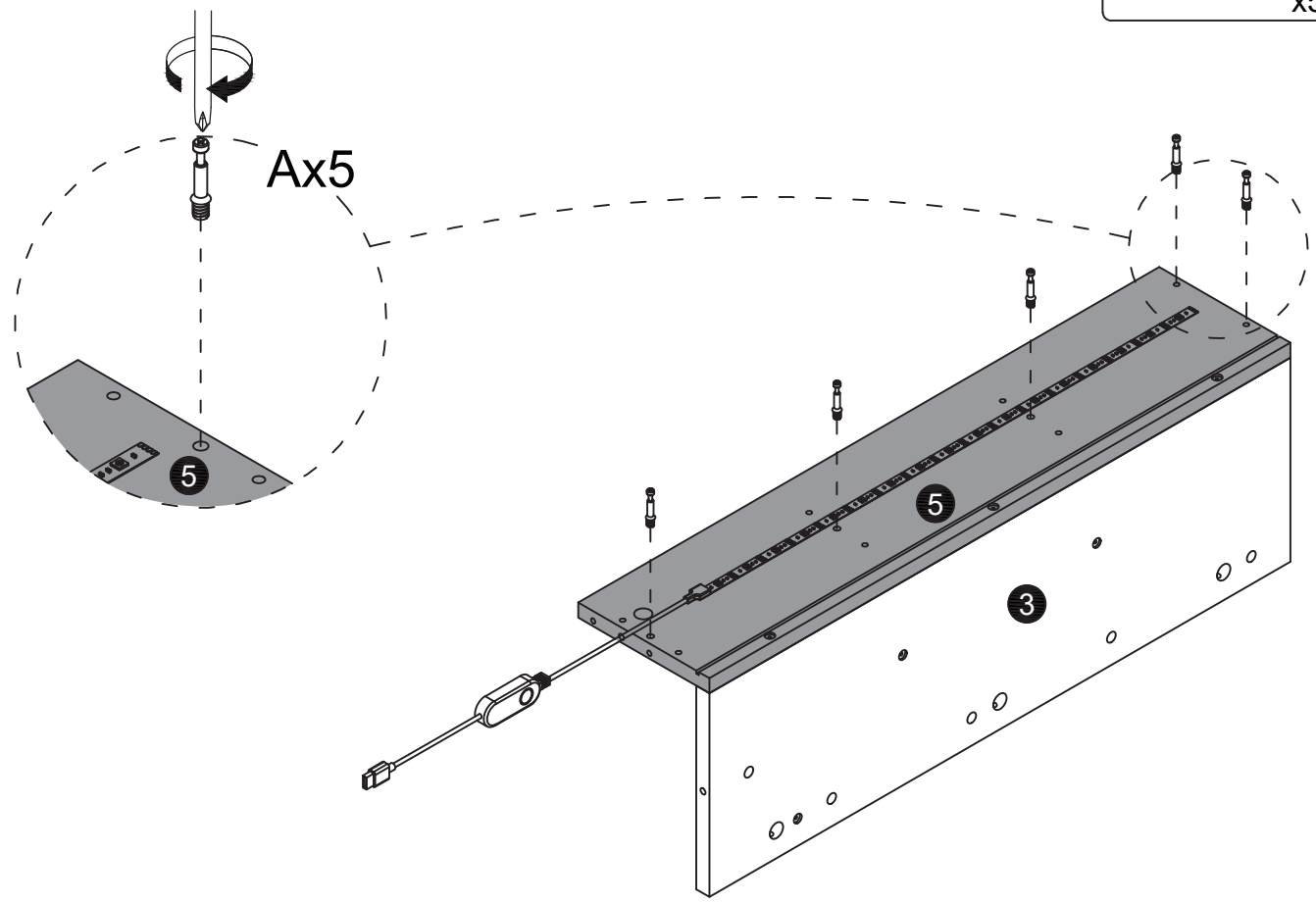
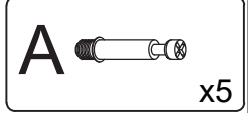


Tear off the back glue of the light strip

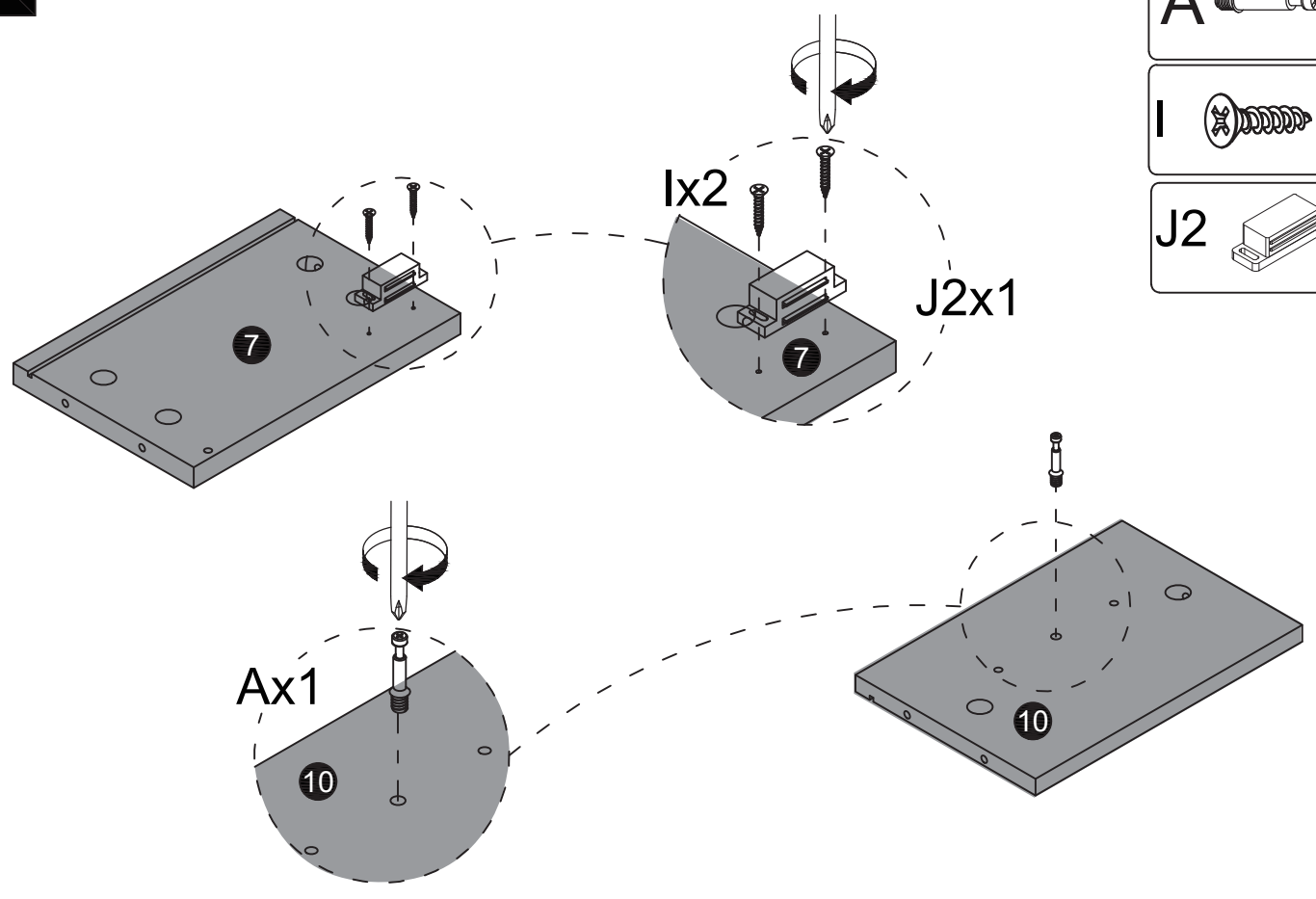
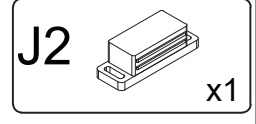
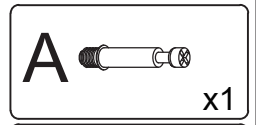


The lamp belt covers the 2 "H" number screws.

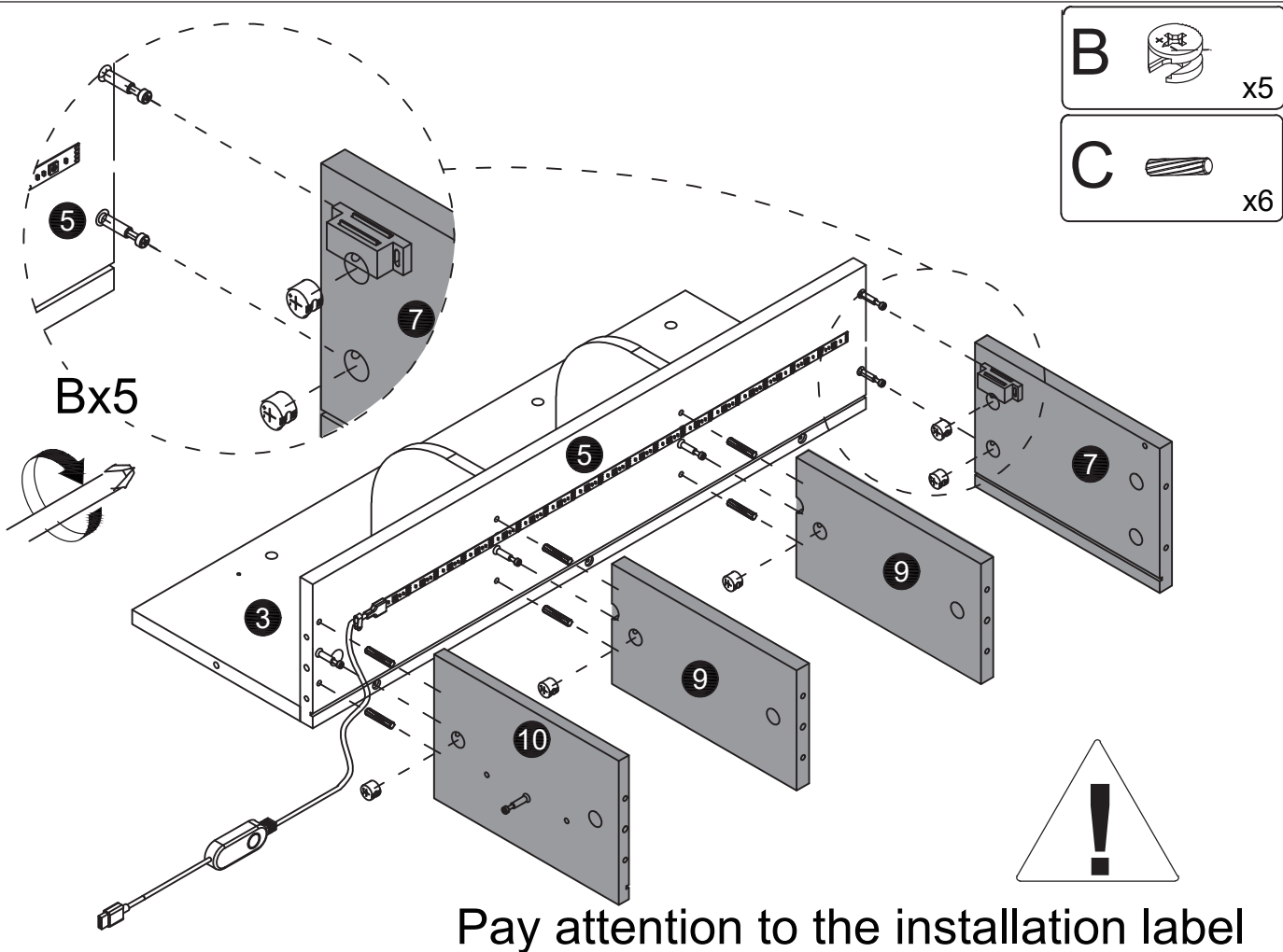
26



27

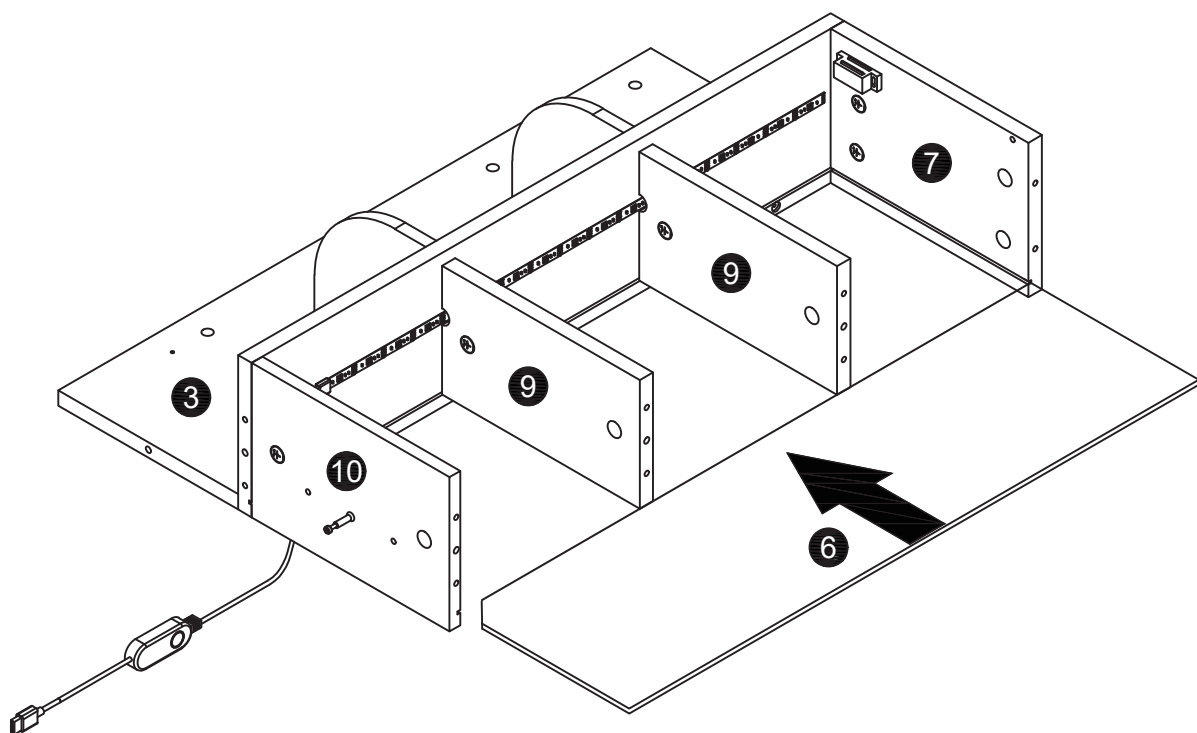


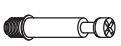
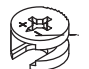

28

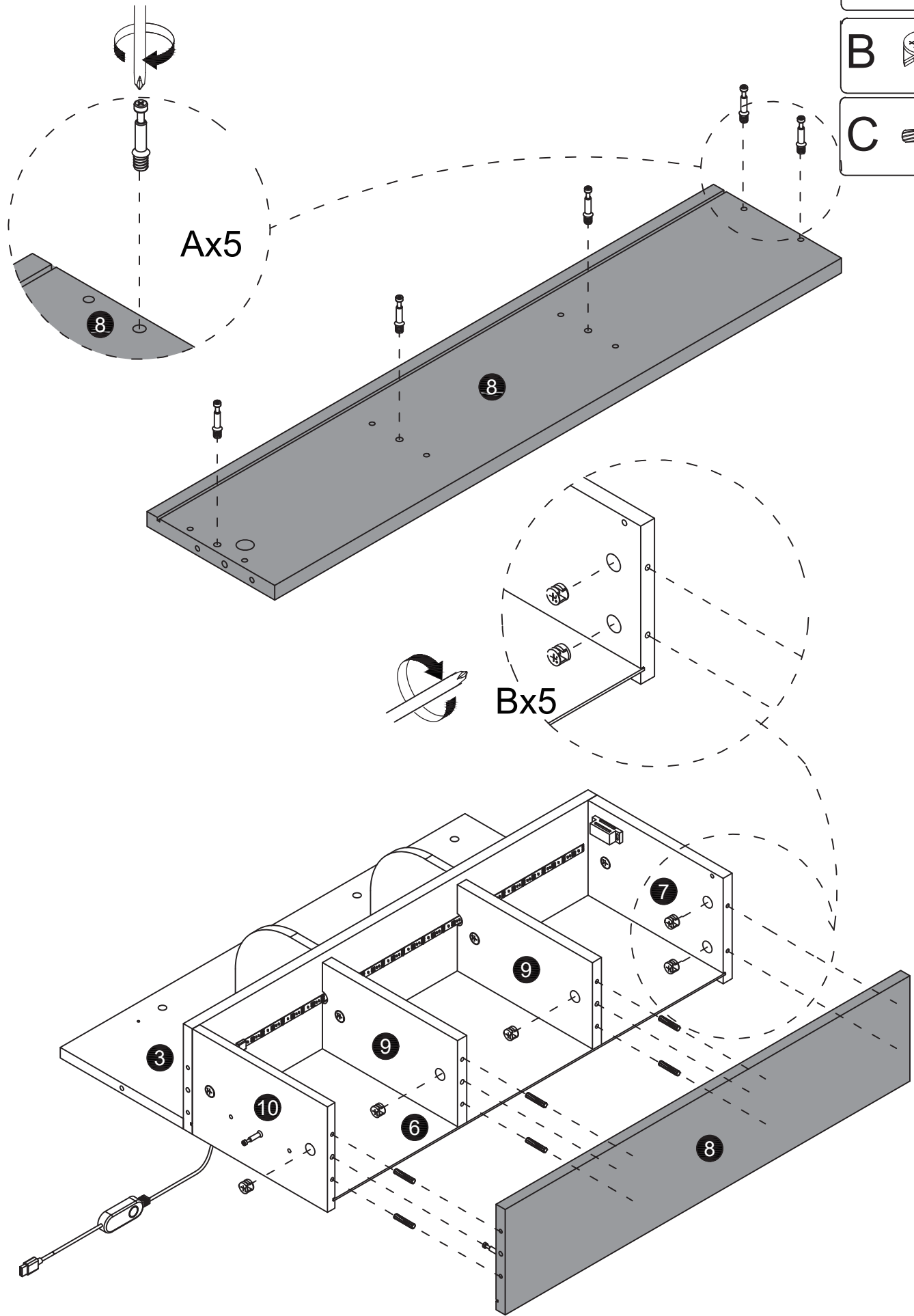


Pay attention to the installation label

29



- A**  x5
- B**  x5
- C**  x6



31 Pay attention to the installation direction

Parts List:

- B** (Hinge) x1
- C** (Screw) x2
- R** (Washer) x1
- X** (Screw) x1
- A** (Screw) x1

Sub-diagrams:

- (1)** Shows the installation of the hinge (R) and washer (X) onto the door (12).
- (2)** Shows the installation of the hinge (X) and washer (X) onto the cabinet frame (11).
- (3)** Shows the installation of the hinge (A) and washer (X) onto the cabinet frame (11).

Main Assembly: Shows the door (12) being attached to the cabinet frame (11) using screws (A, B, C, X, R) and a hinge (Ax1).

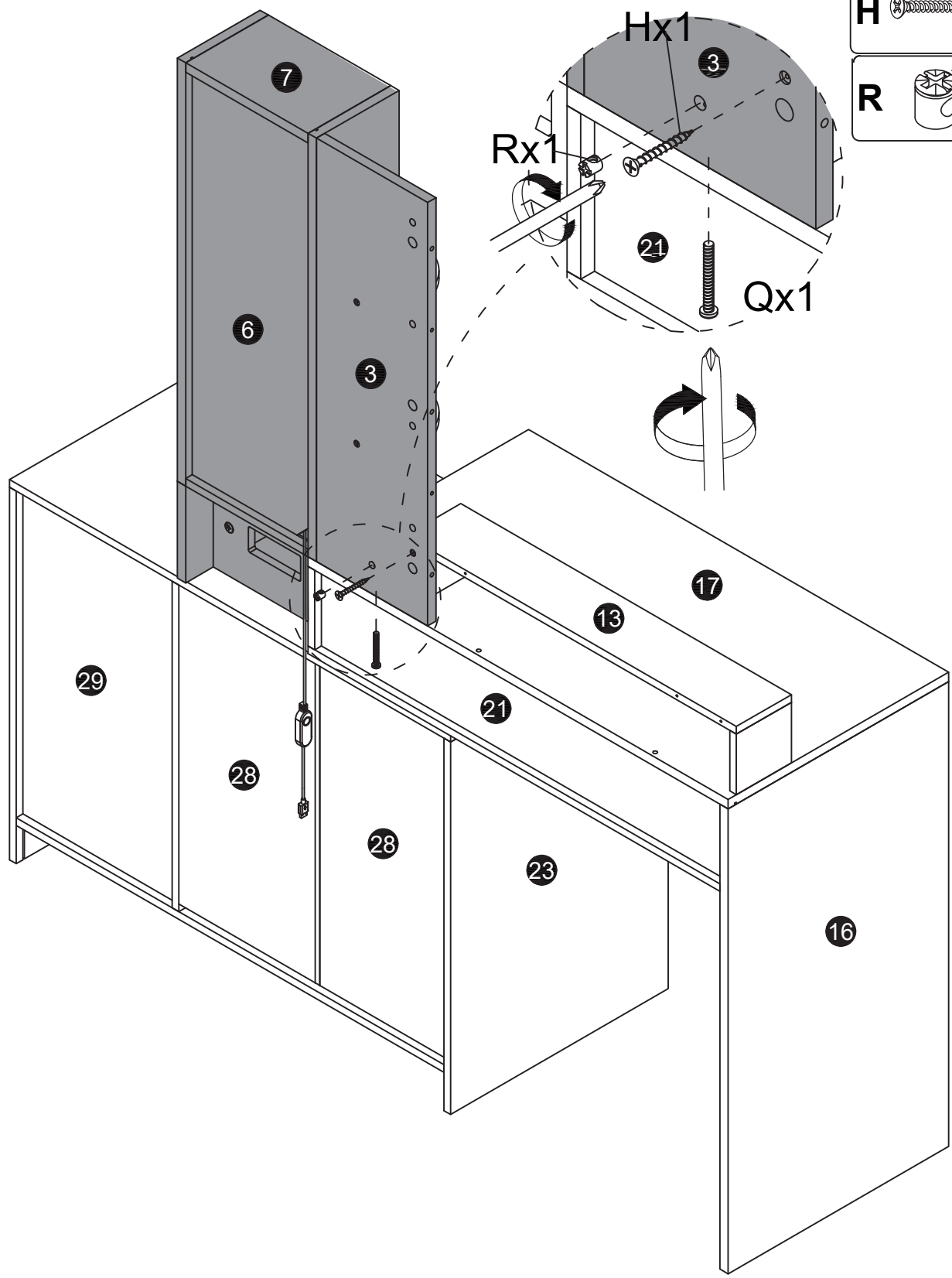
32

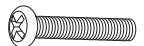


Parts List:

- B** (Hinge) x2
- C** (Screw) x4

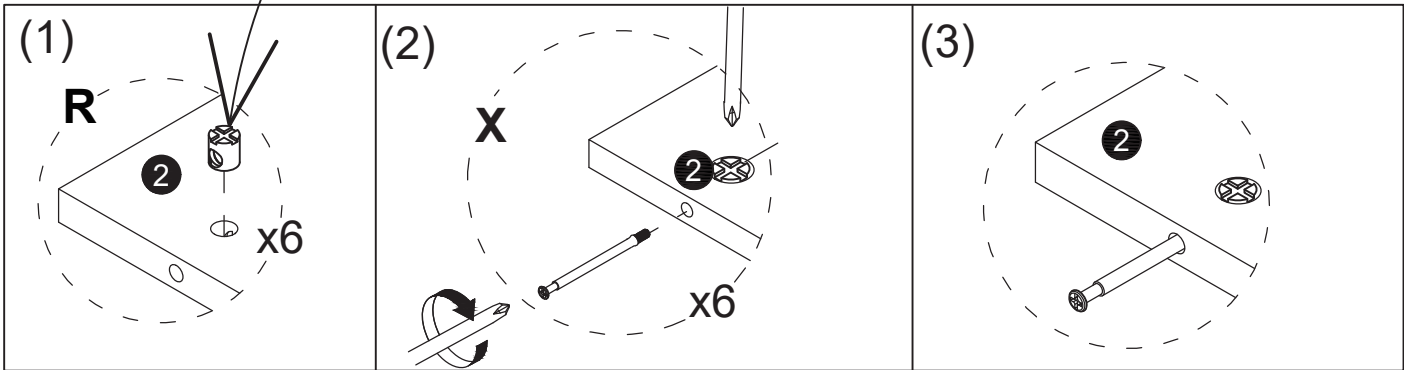
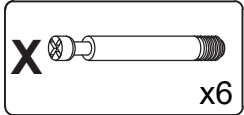
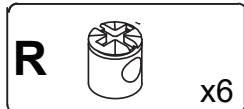
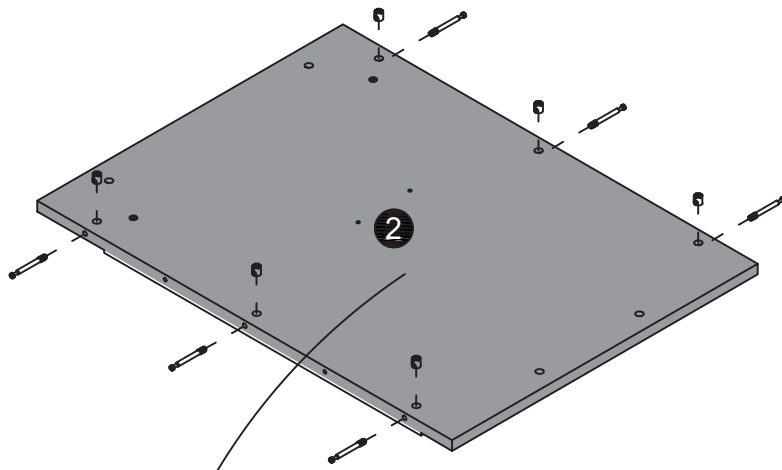
Main Assembly: Shows a drawer (11) being inserted into a cabinet frame (10) using screws (B, C) and a hinge (Cx4).

Sub-diagram: Shows the installation of the hinge (Cx4) and washer (B) onto the drawer (11).

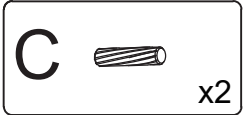
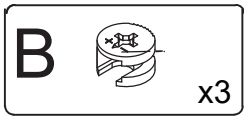
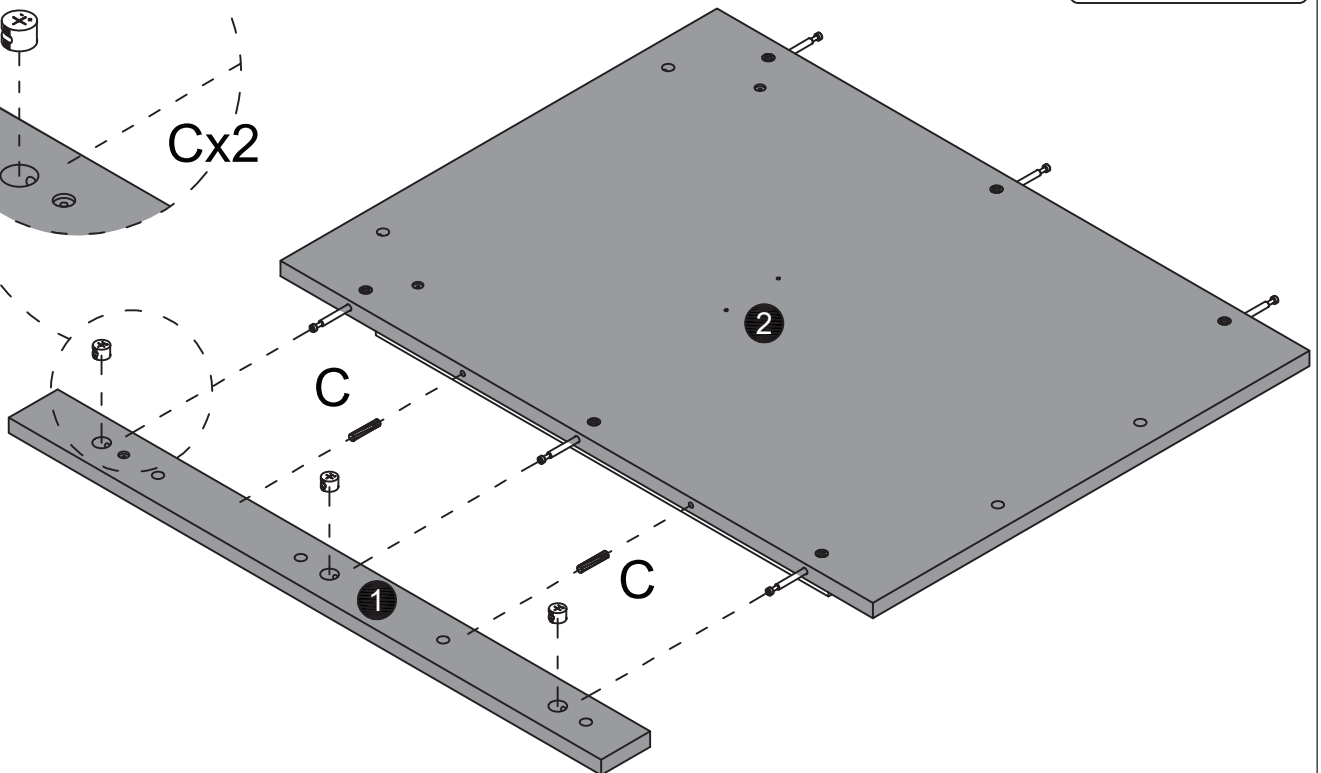
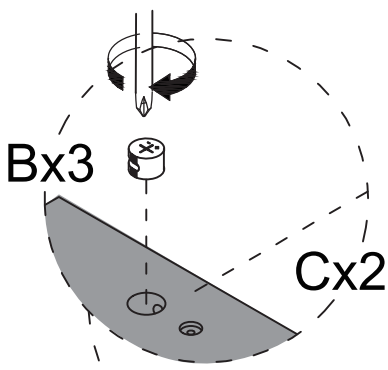




- Q**  x1
- H**  x1
- R**  x1

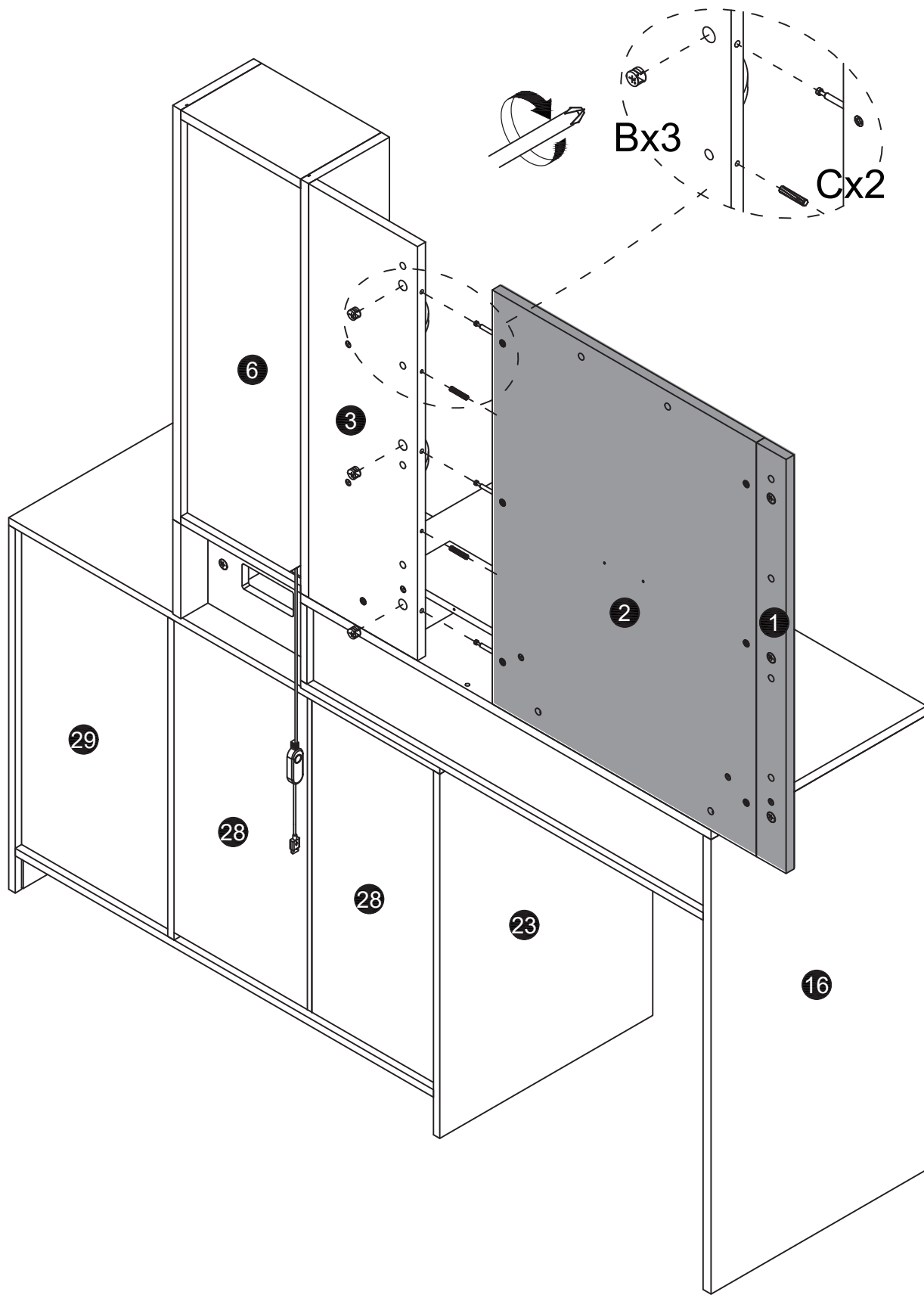
35

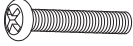




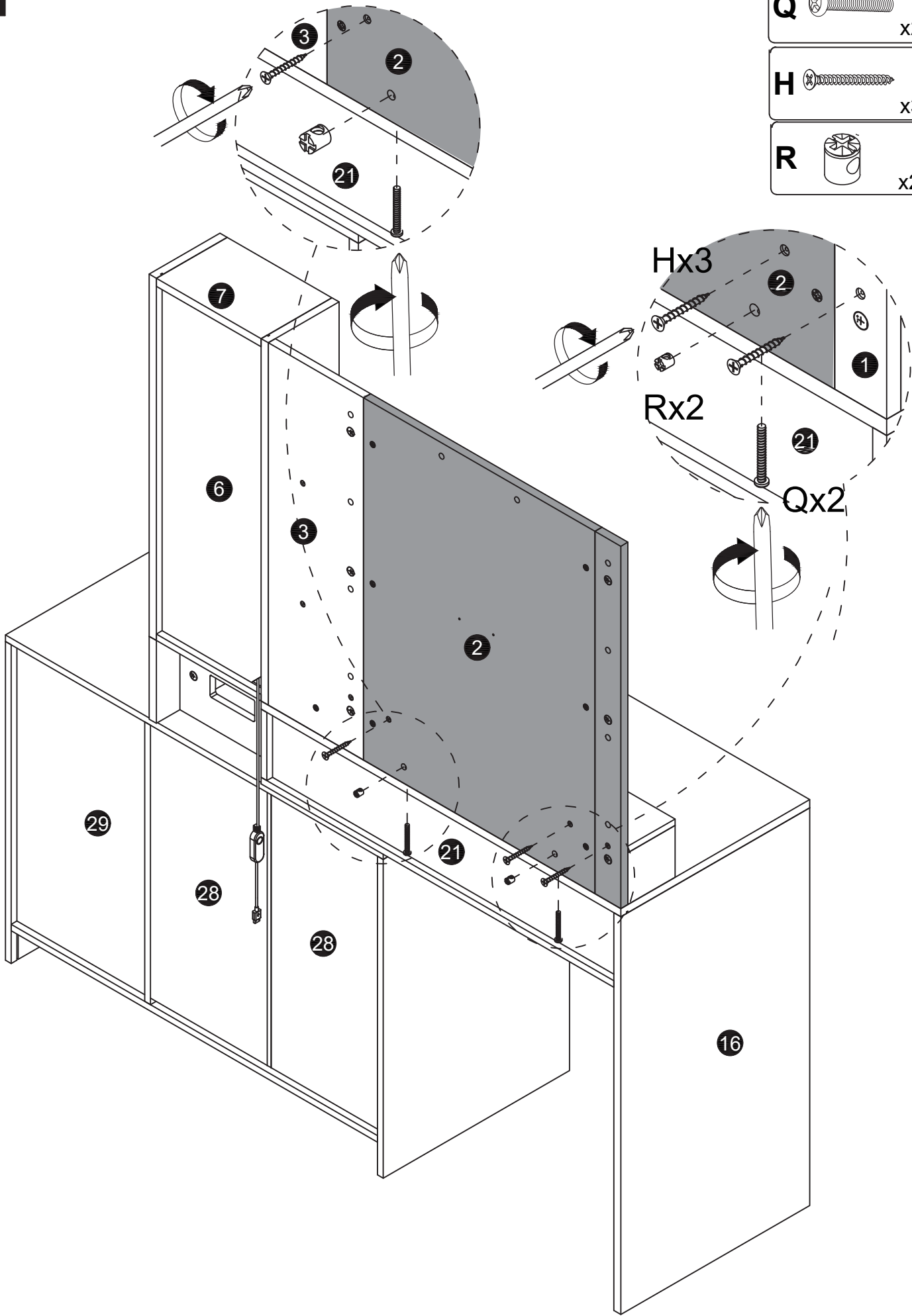
36

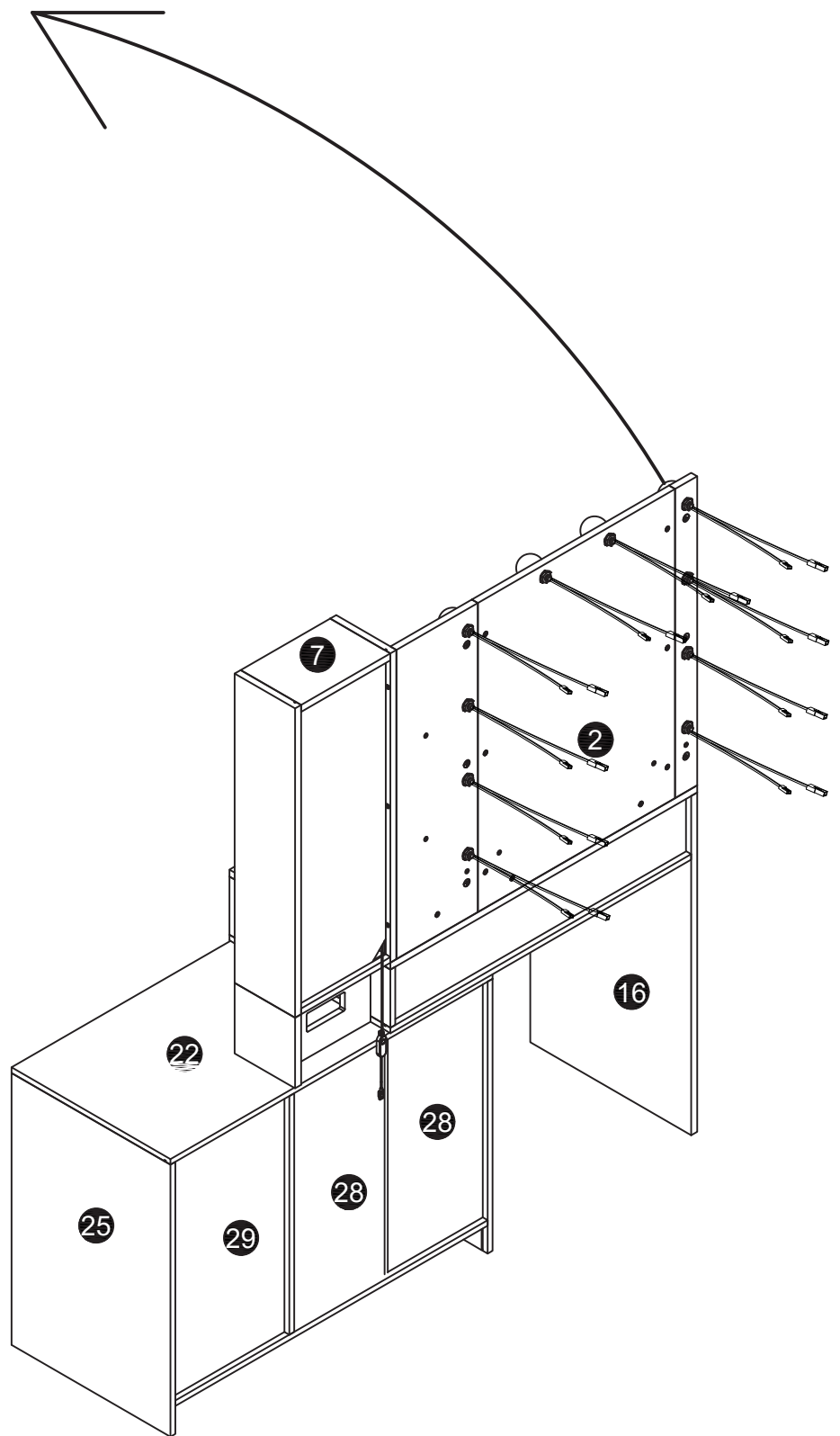
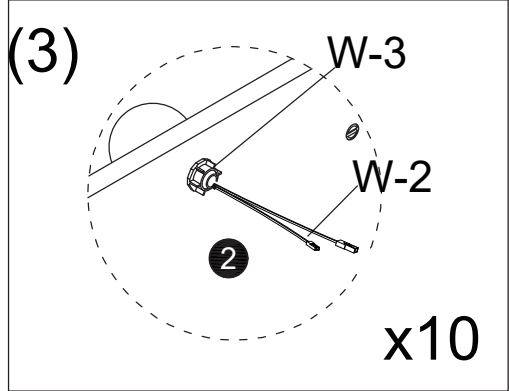
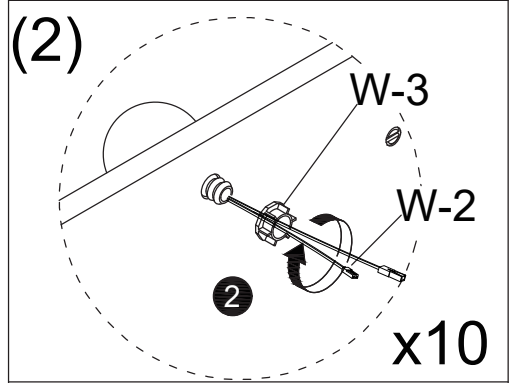
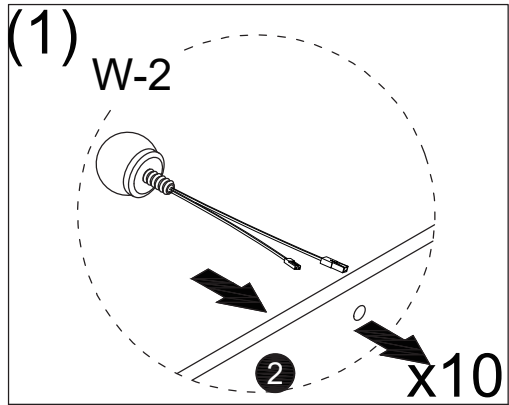


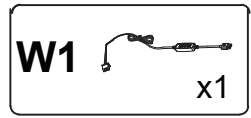
- B**  x3
- C**  x2



- Q  x2
- H  x3
- R  x2

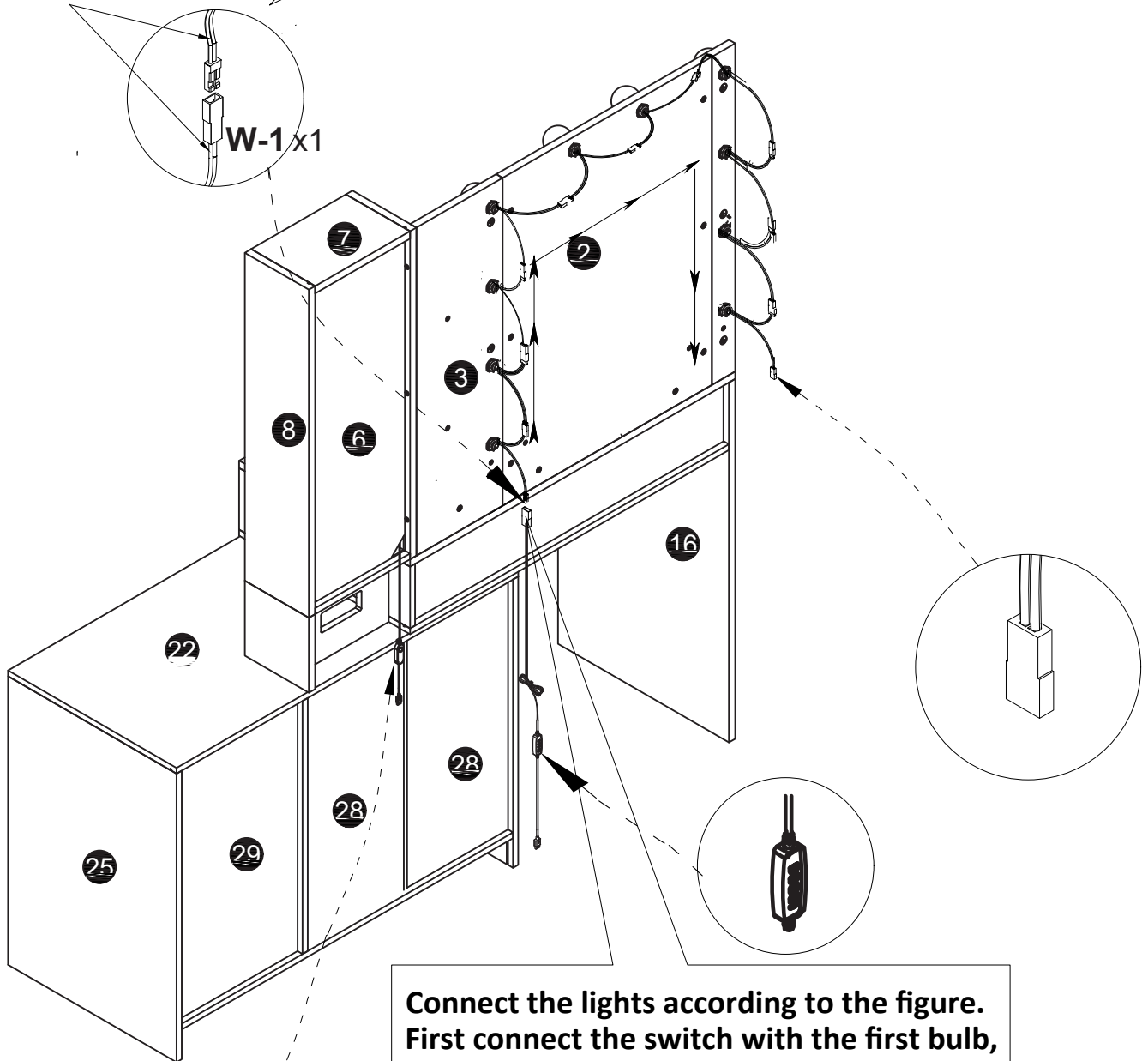




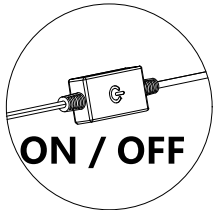


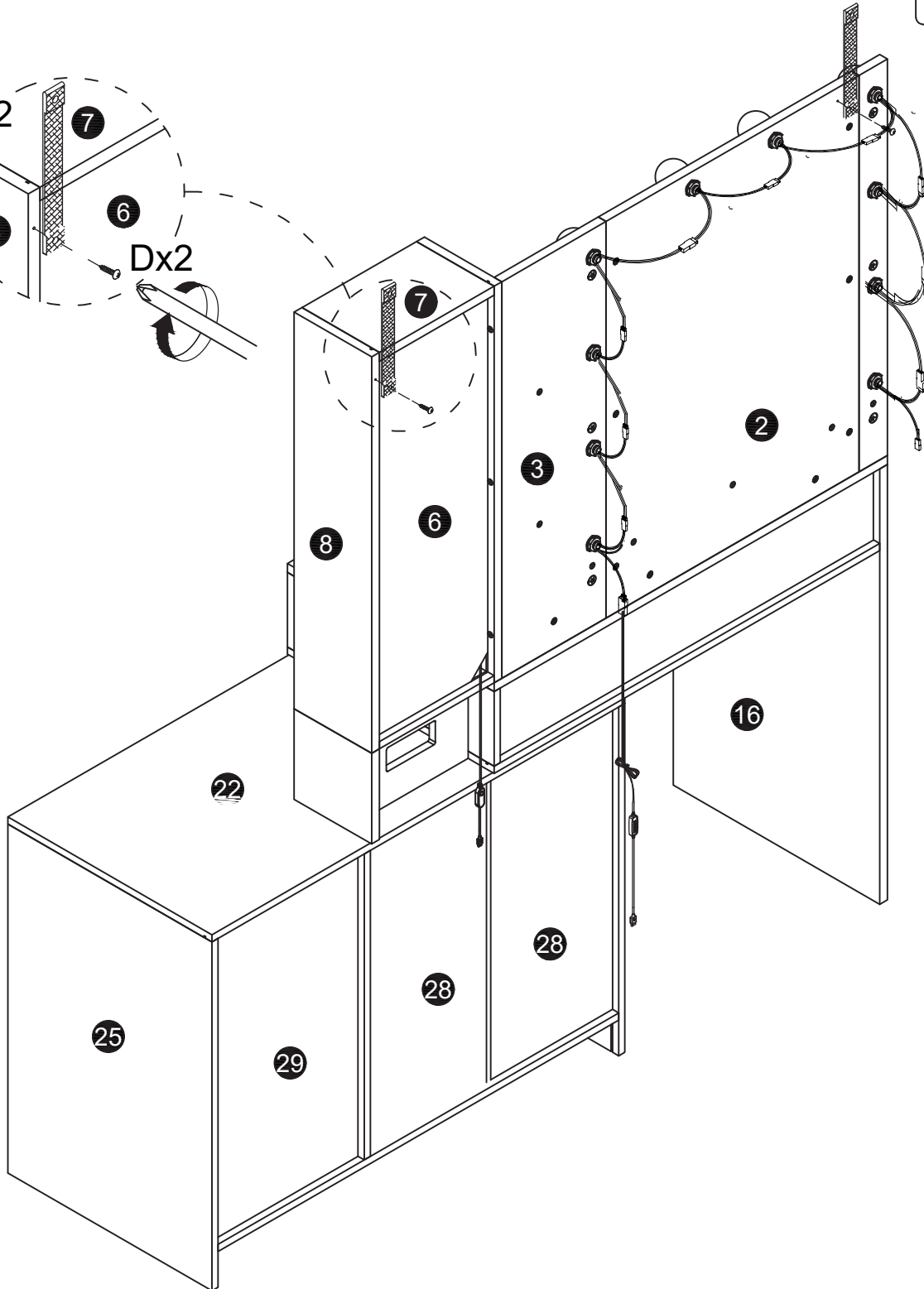
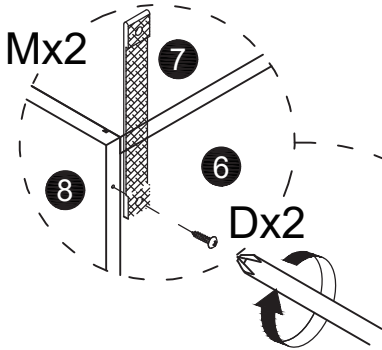
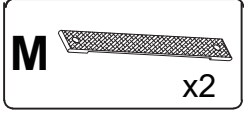
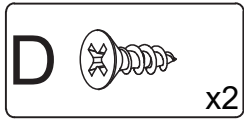
When connecting the interface, please note that the colors of the wires at both ends correspond one by one

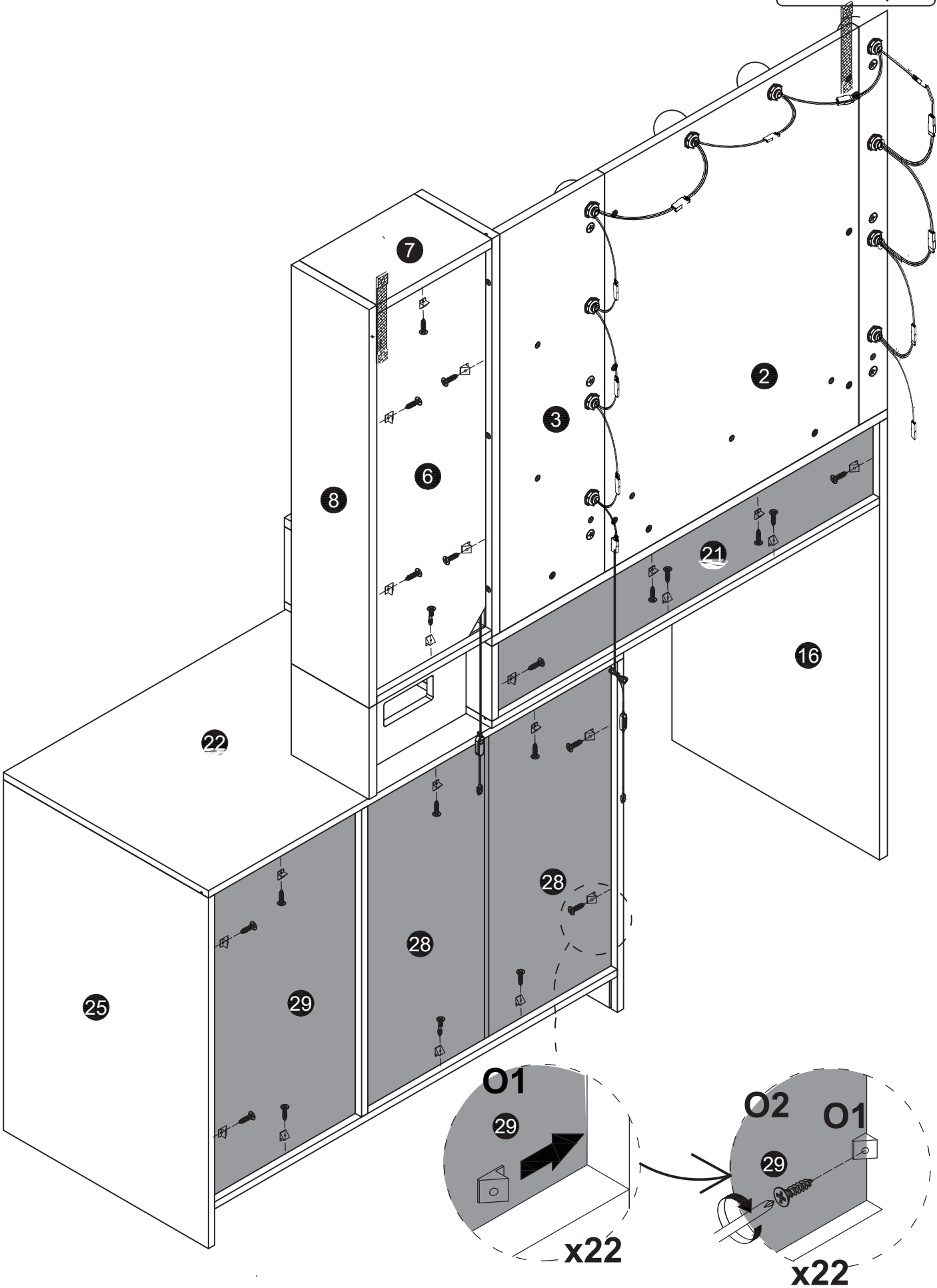
same color correspond

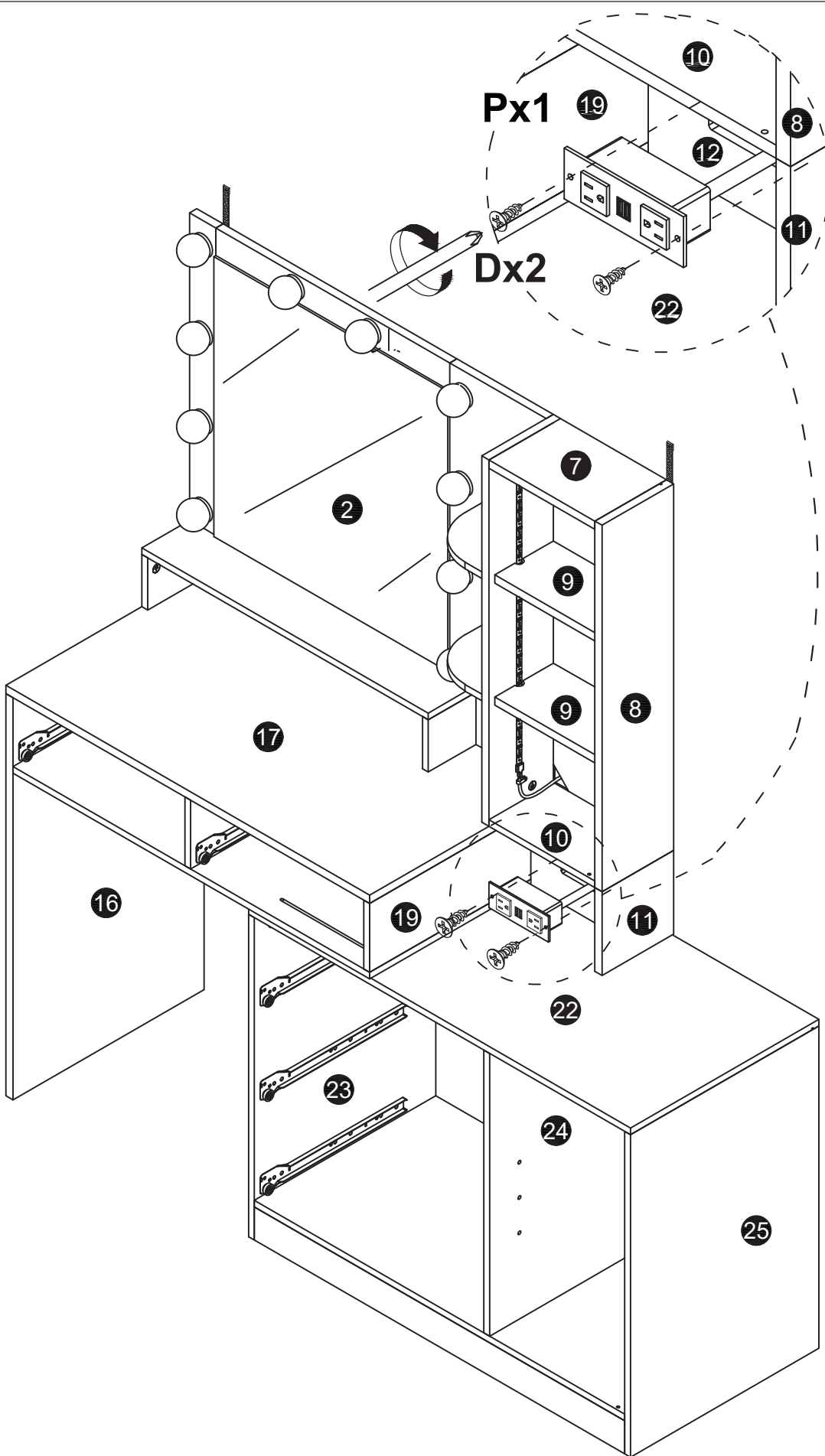



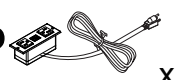
Connect the lights according to the figure. First connect the switch with the first bulb, and then connect other bulbs in series.

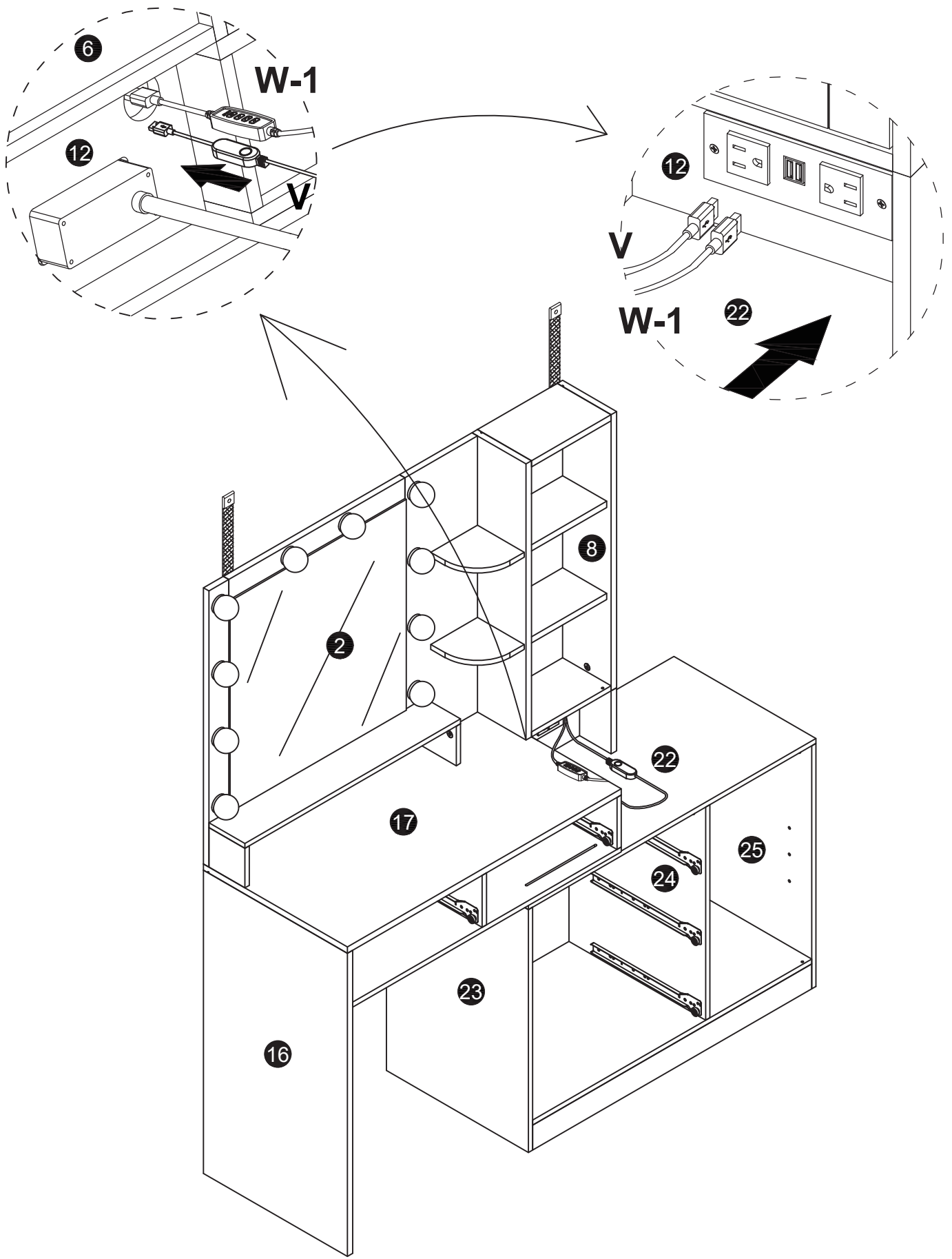


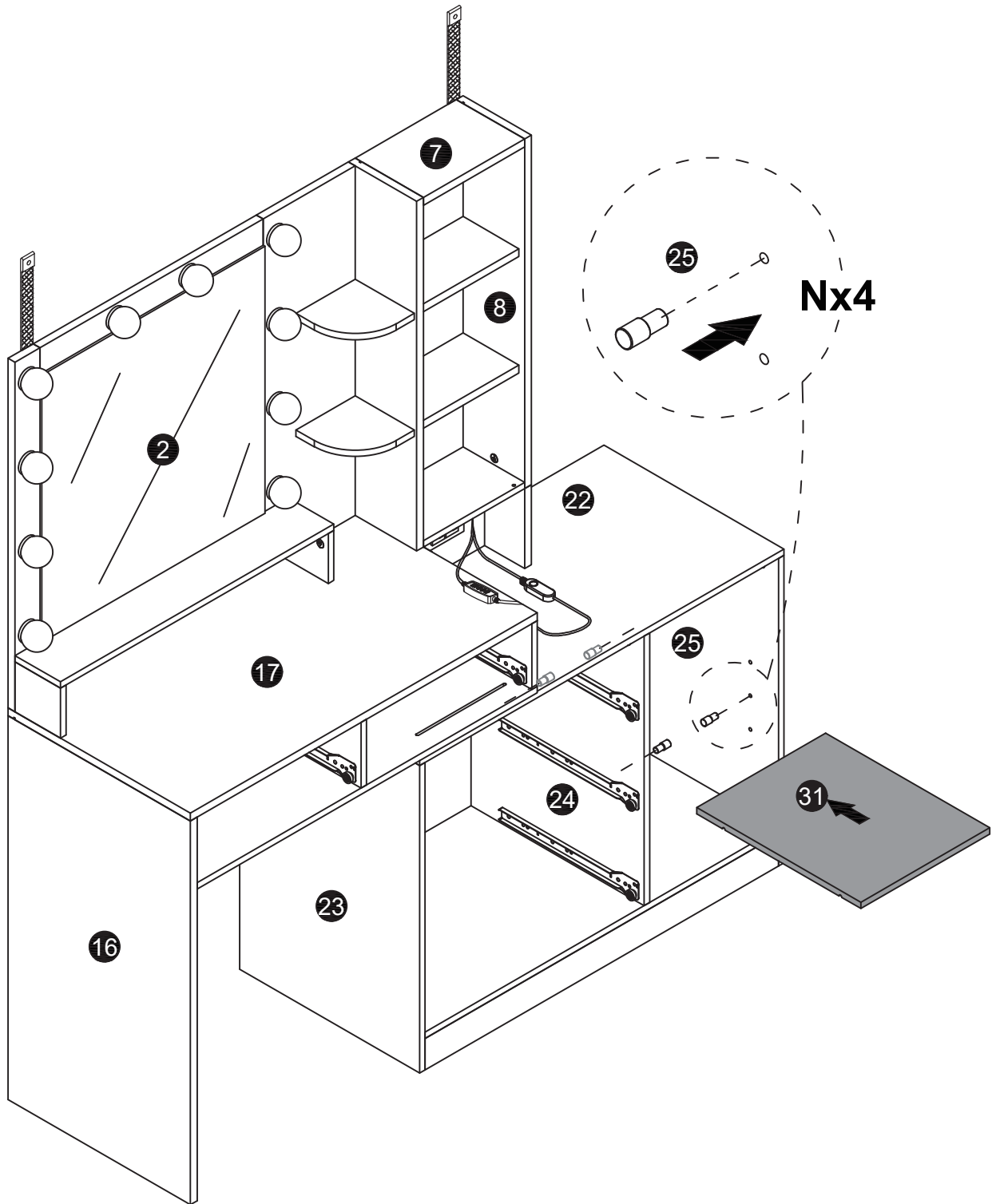
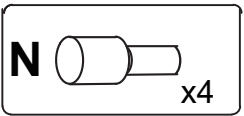



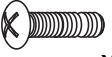
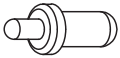

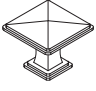


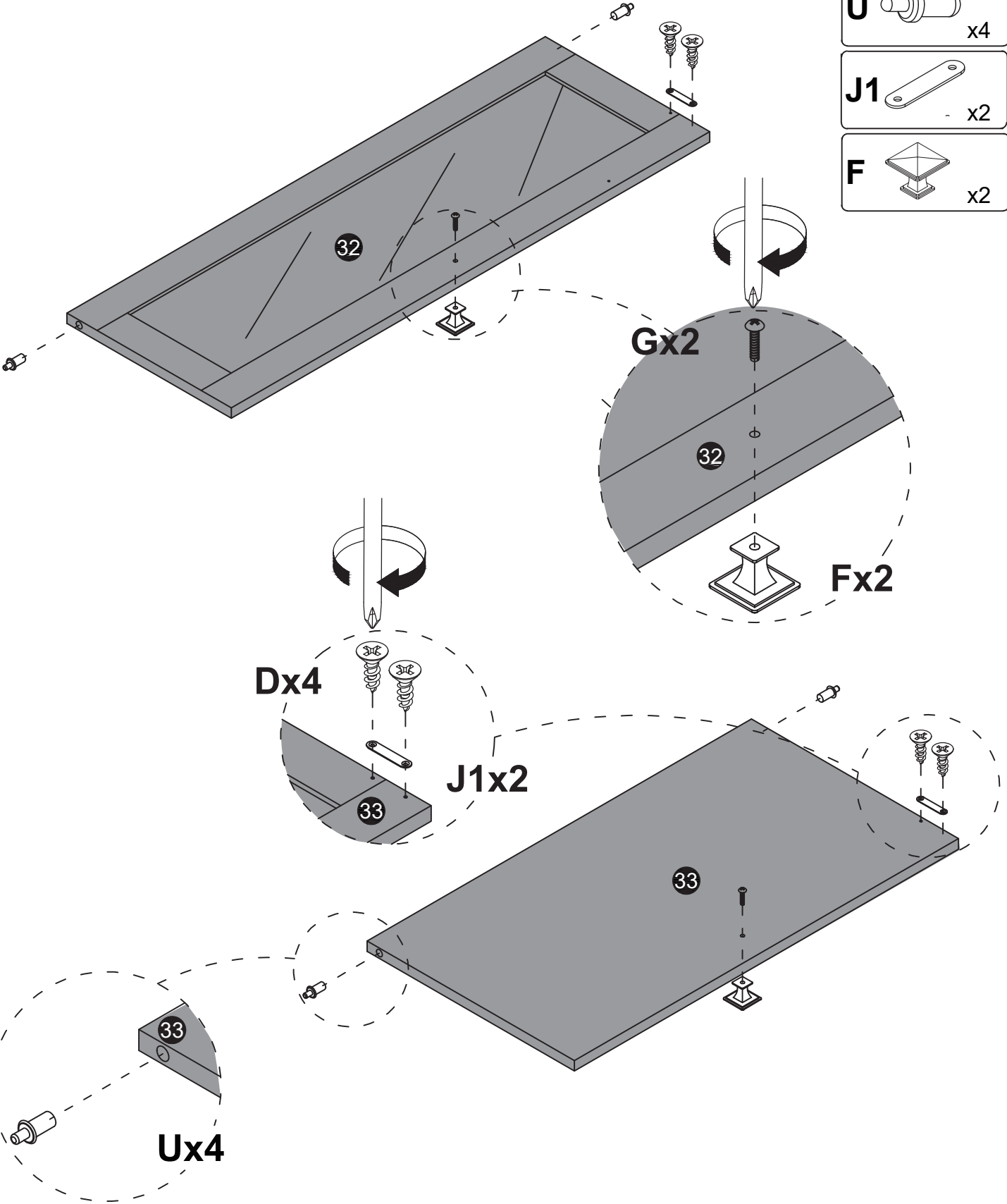


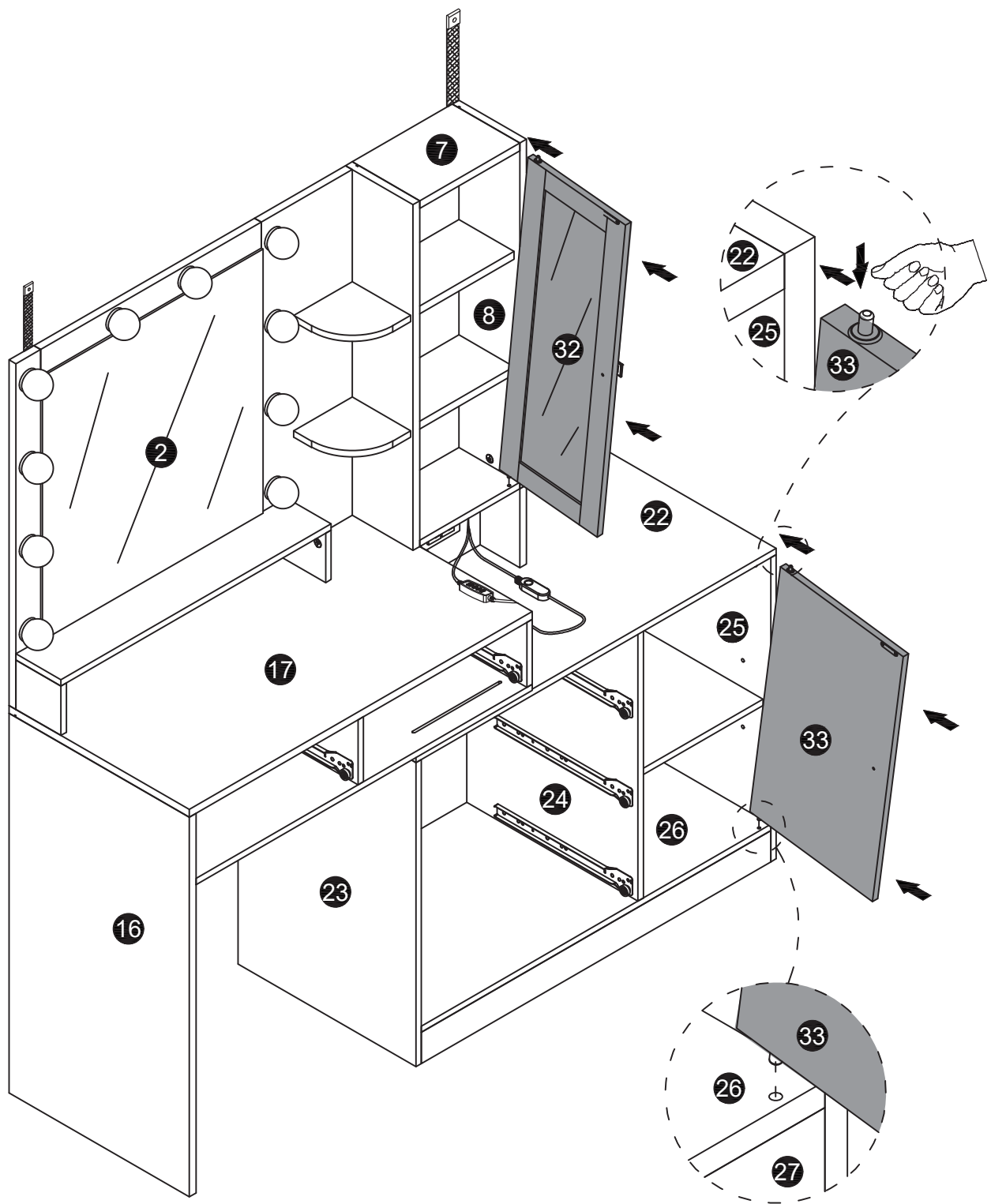
D		x2
P		x1

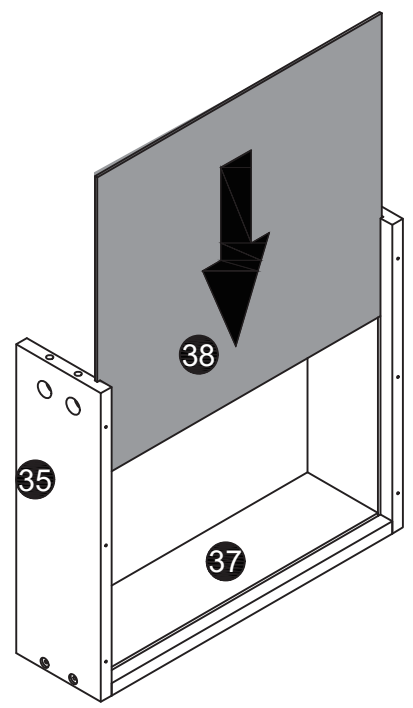
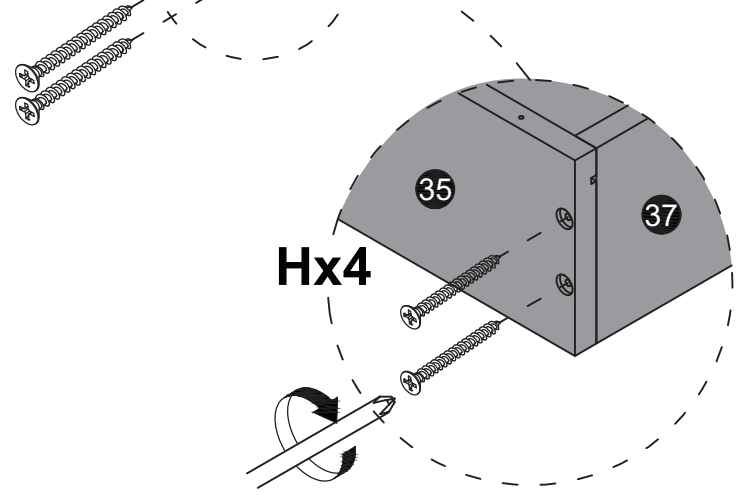
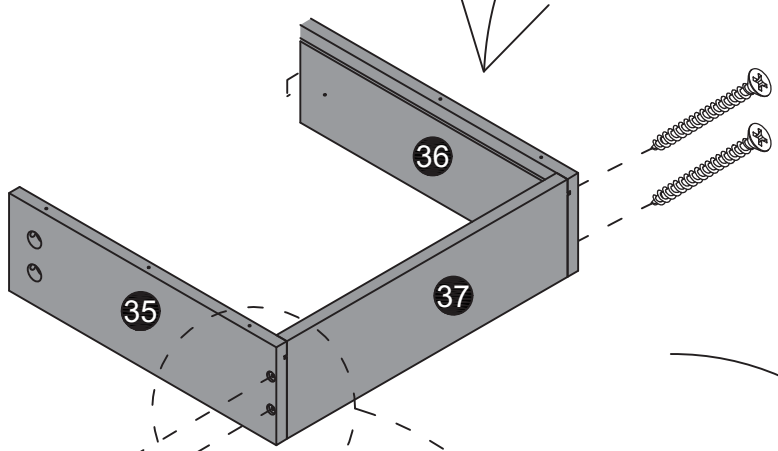
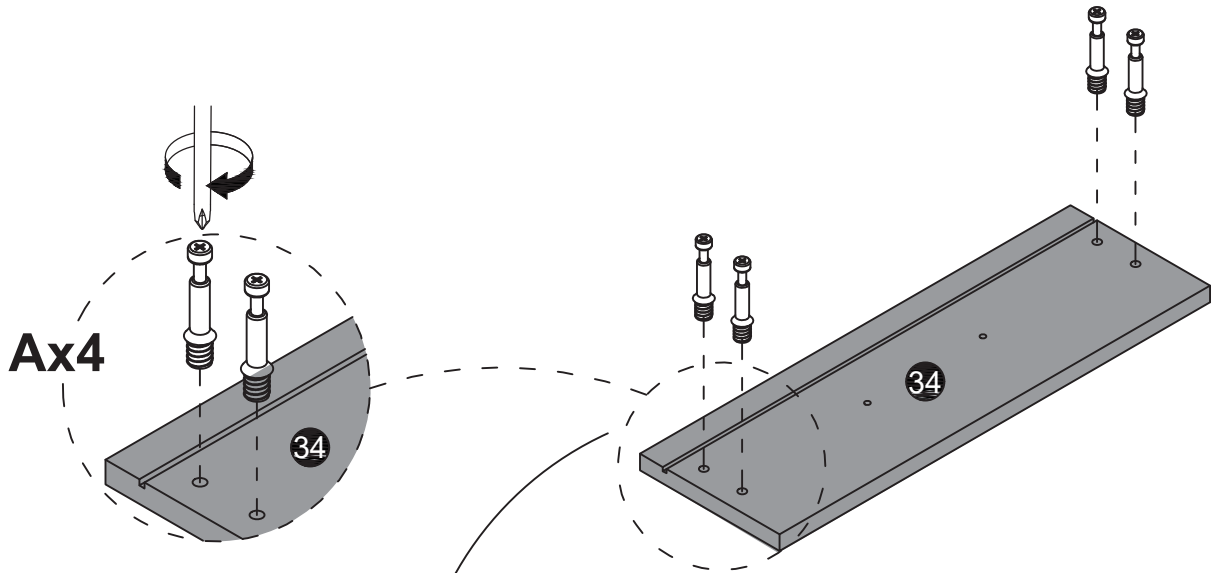
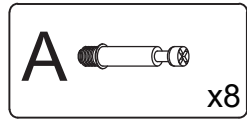
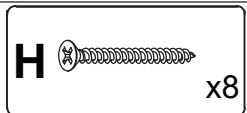








- D**  x4
- G**  x2
- U**  x4
- J1**  x2
- F**  x2

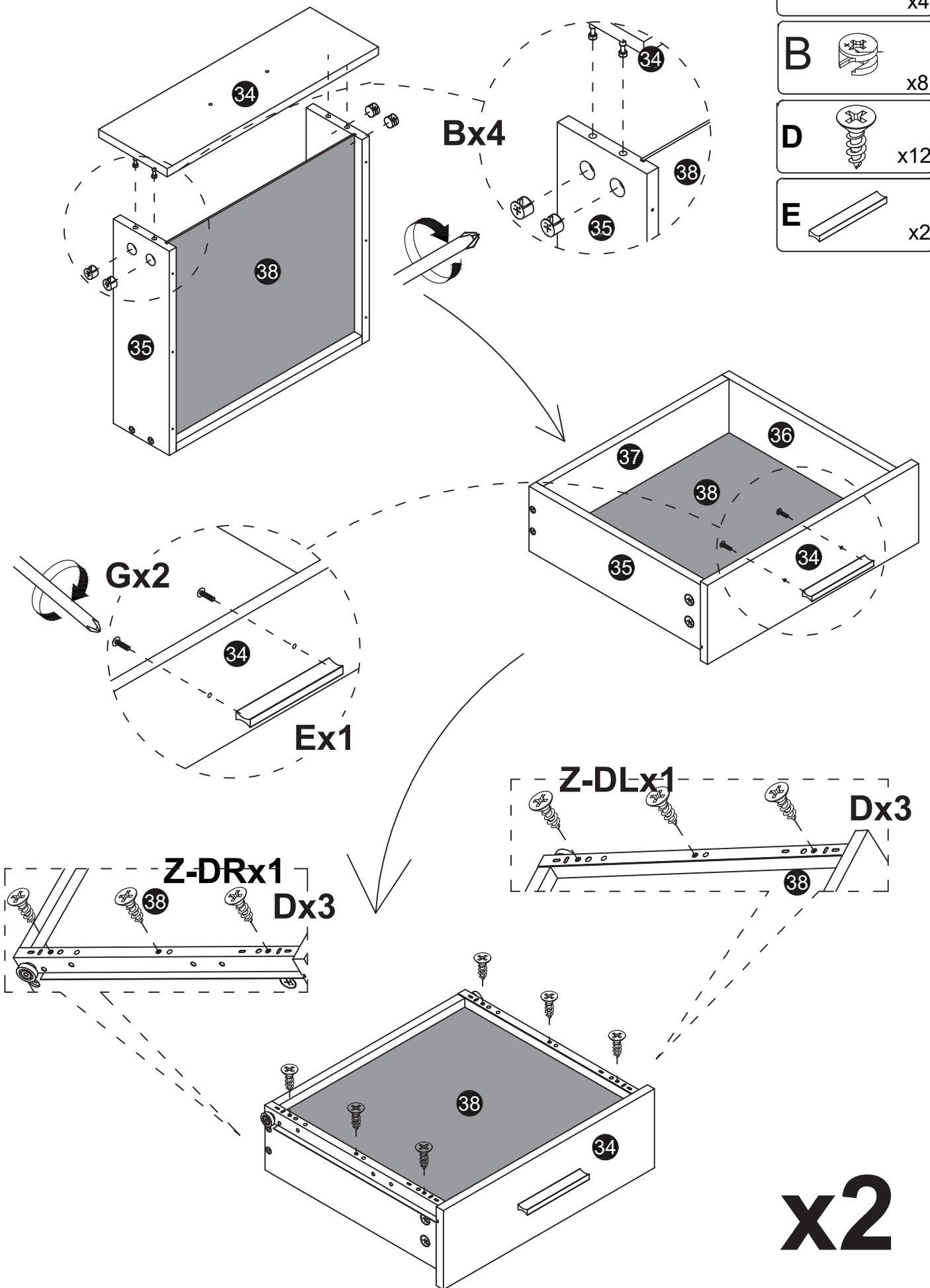



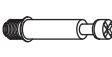


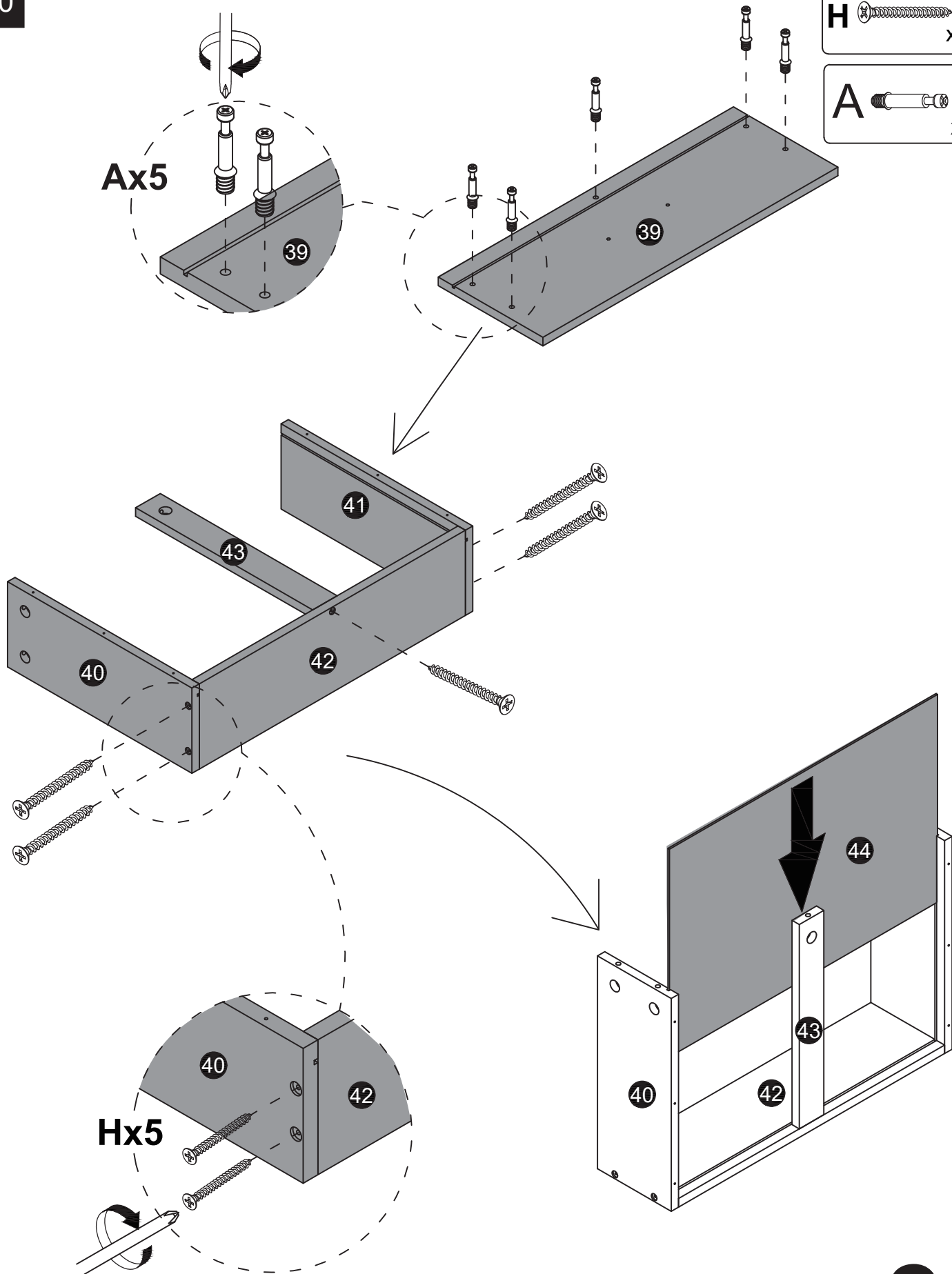


x2





- G**  x4
- B**  x8
- D**  x12
- E**  x2

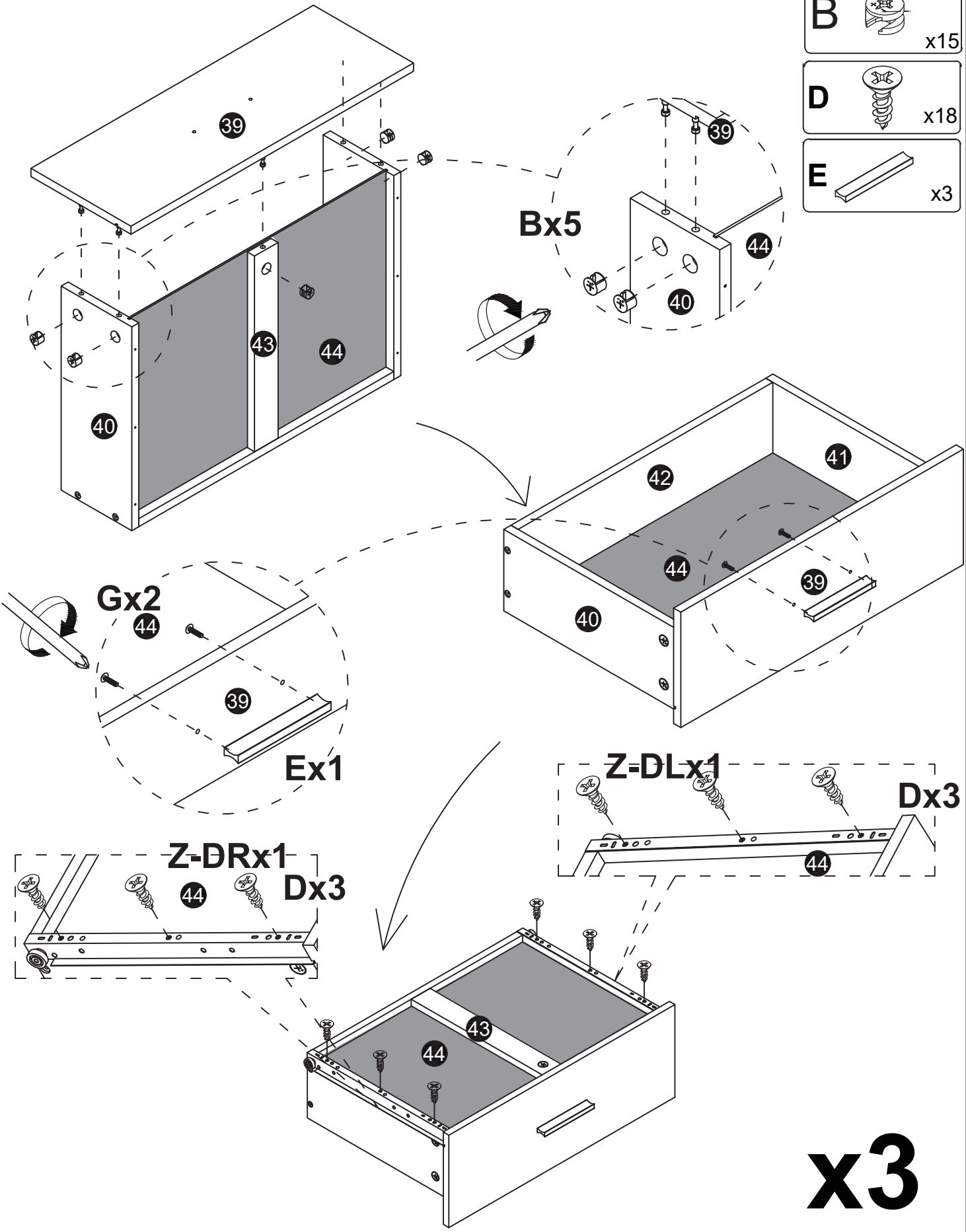


- H**  x15
- A**  x15



x3

- G**  x6
- B**  x15
- D**  x18
- E**  x3



x3

