







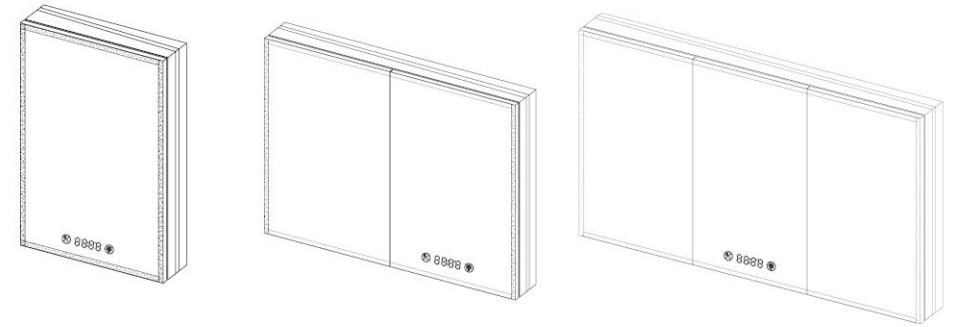


HARDWARE LISTS

ITEM	IMAGE	NAME
1		Mounting Screw
2		Wall Anchor
3		Glass Shelf
4		Side Mirror Screw
5		French Cleat
6		Flathead Screwdriver
7		Positioning Ruler
8		Allen Wrench

APPLY TO BELOW STYLE OF RGB MEDICINE CABINET



Please read carefully and save these instructions
 Don't discard any of the packaging until you are sure that you have all of the parts and the fittings
 Make sure power to the junction box is off before commencing installation

IMPORTANT

1. Unpack RGB Medicine Cabinet. DO NOT lay cabinet on tiled or concrete surface prior to installation Cabinet must be on protected surface to prevent chipping of the corners
2. Care must be taken before drilling pilot holes to avoid any existing wiring or pipe work that may be concealed.
3. A certified electrician must perform all work. The mirror must be connected to a GFI

MAINTENANCE

Wipe clean with a soft damp cloth. Apply glass cleaner to cloth and do not apply directly to mirror Never use abrasive cleaners as these could damage the finish or exposed RGB strip

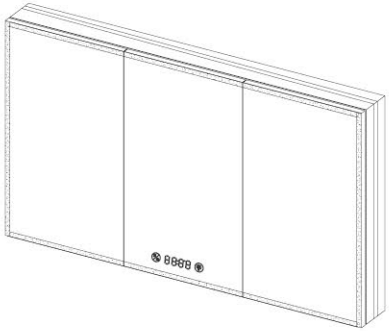
INSTALLATION

Please refer to below surface mount method.

SURFACE MOUNT INSTRUCTION

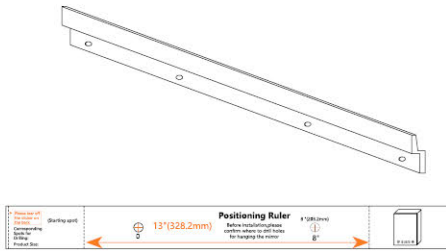
Step 1

Unpack the RGB medicine cabinet and prepare tools needed.



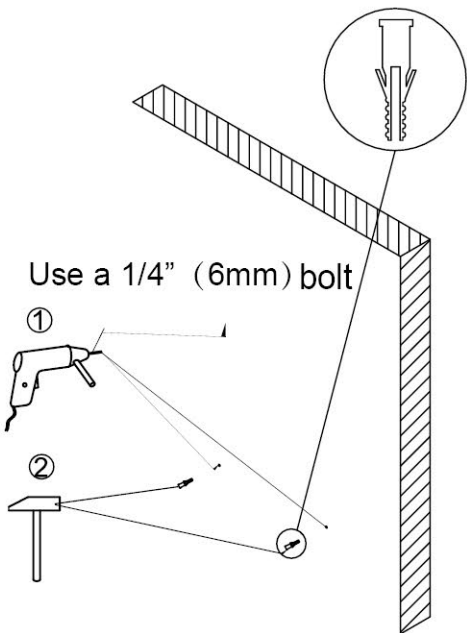
Step 2

Draw horizontal line connecting the marked location, The line should be level. Adjust to level if necessary. Glue the positioning ruler to the mark.



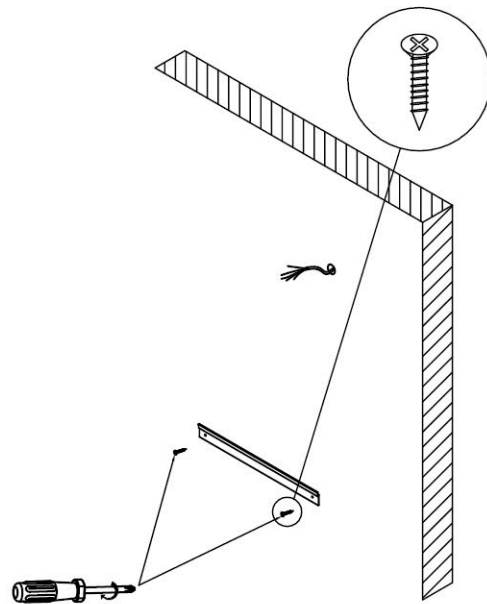
Step 3

Drill holes, and put in the plastic expansion bolt.



Step 4

Attach the bottom mounting bar hanger to the wall with mountin screws from the hardware pack.



SURFACE MOUNT INSTRUCTION

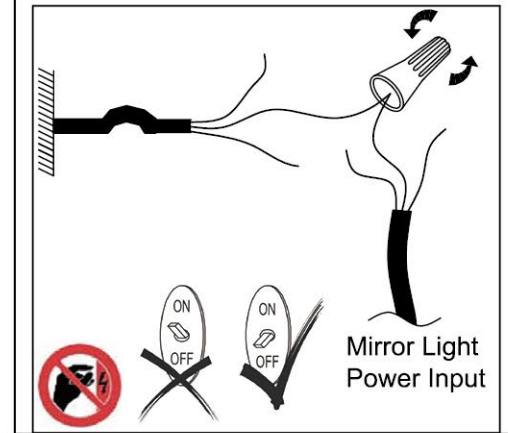
Step 5

Put the cabinet on the top hanging strip and hold the cabinet, please make sure that the hanger must mach the track from the top board of the cabinet.



WIRING DETAILS

INCOMING SUPPLY		MIRROR WIRING	
SWITCHED LIVE	— L —	BLACK or LABELED - L	
EARTH (GREEN/YELLOW SLEEVED COPPER)	— E —	GREEN - E	
NEUTRAL	— N —	WHITE or LABELED - N	



Connect hardwire to power line.
Make sure the power off (Voltage: AC110-12V, 50/60Hz)

SURFACE MOUNT INSTRUCTION

Step 6

- 1: Remove the mirror doors;
- 2: Insert the glass shelf into the shelf clamp and adjust to suitable position.

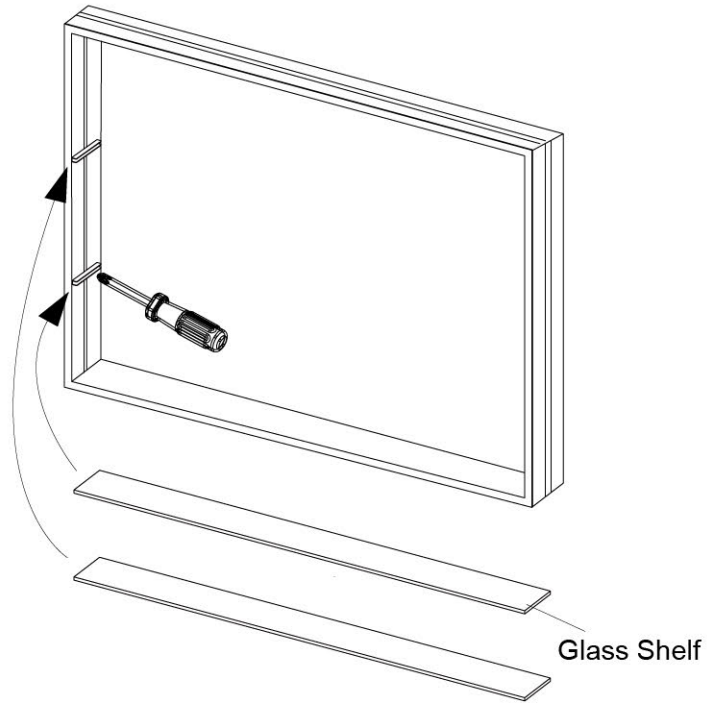


fig. 1

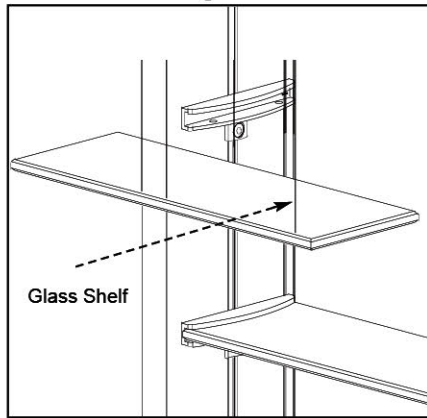
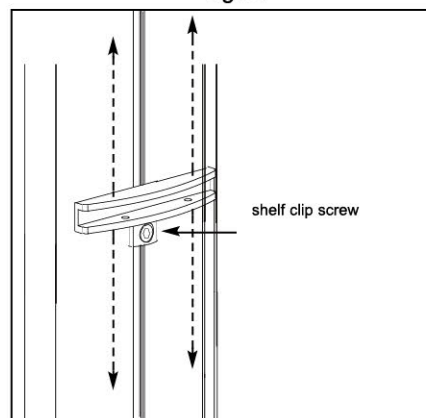


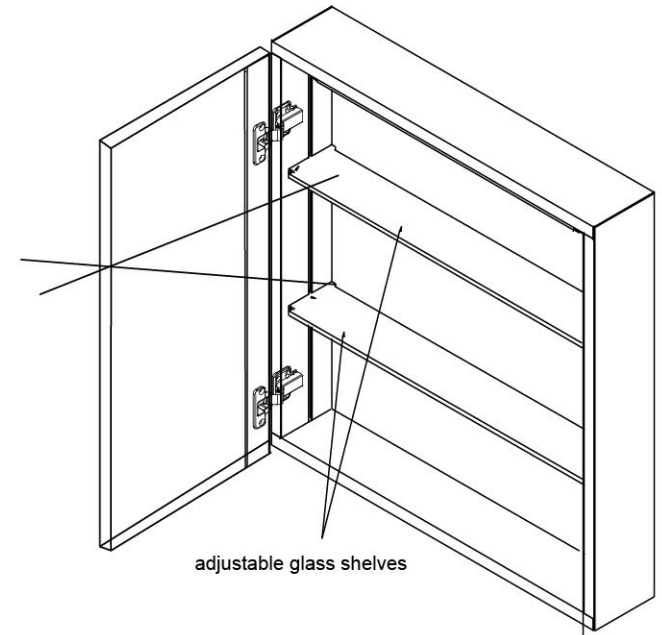
fig. 2



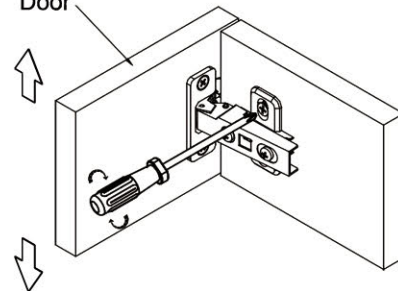
SURFACE MOUNT INSTRUCTION

Step 7

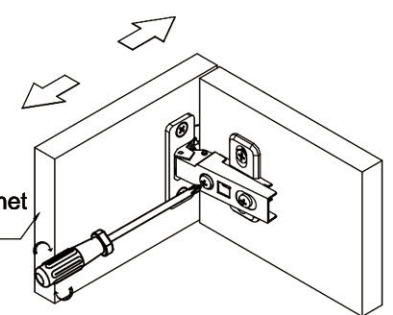
Adjustable shelves:
Unscrew and adjust
the position of shelf
directly and then
tighten the screw for
mixed.



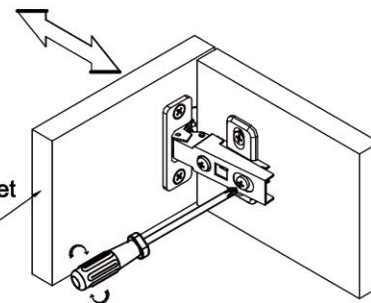
Mirror Cabinet Door



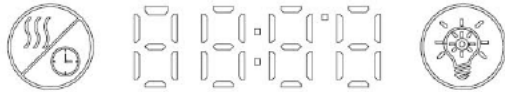
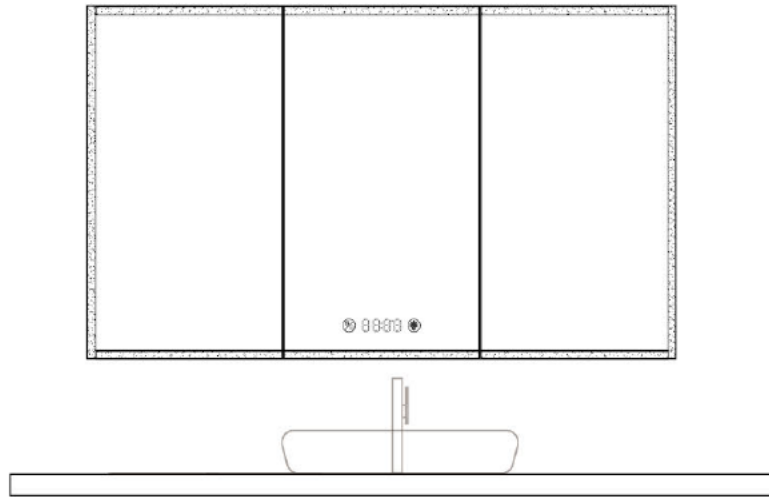
Mirror Cabinet Door



Mirror Cabinet Door



INTRODUCTION OF TOUCH FUNCTION



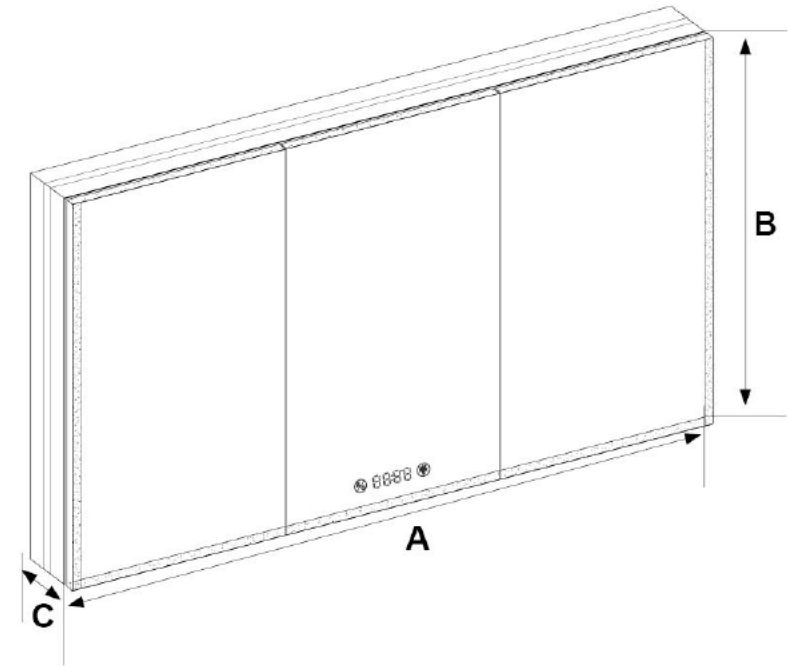
- 1. Click the power button to turn the light ON/OFF.
- 2. When turned on, long press the button for dimming.
- 3. When off, long-press the button until the backlight flashes blue, then click to set light activation speed.
- 4. When off, long-press the button for 6 seconds until the backlight flashes white. Short click to increase light strip length, long click to decrease.



- 1. Time and room temperature auto switch every 8-10 seconds.
- 2. Automatically dim display brightness from 22:00 to 06:00 to reduce nighttime glare.



- 1. Long press 3s to enter settings. Display '24 HR', blink; short press to toggle 24/12-hr.
- 2. Then long press again, hours blink, short press to adjust hours.
- 3. Then long press again, minutes blink; short press to adjust minutes.
- 4. Then long press again, temperature blink, short press to adjust °C / °F
- 5. Short press to turn on/off the anti-fog function, which automatically turns off after 1 hour.



- A - Width
- B - Height
- C - Depth

Unit: Inch

A	B	C
60	36	5.3
48	36	5.3
20	28	5.3
20	28	5.3

Note: All dimensions & specifications are approximate and subject to change without notice.