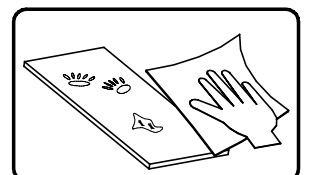
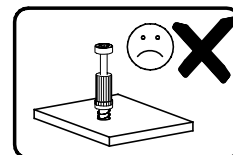
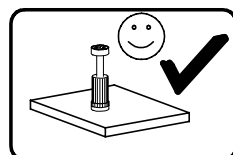
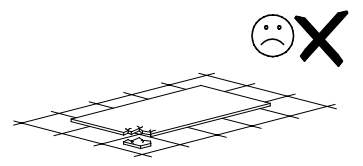
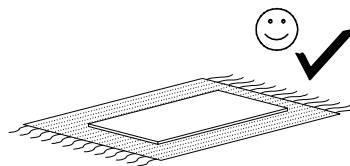
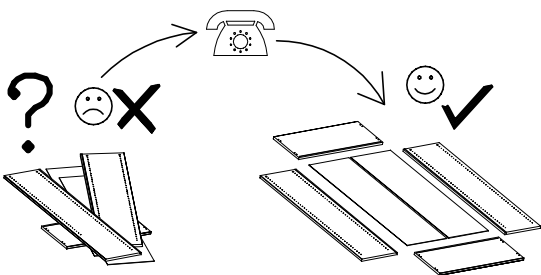
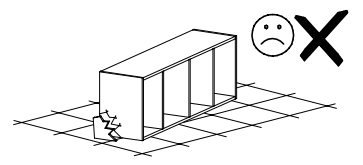
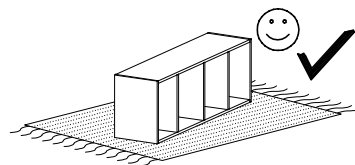
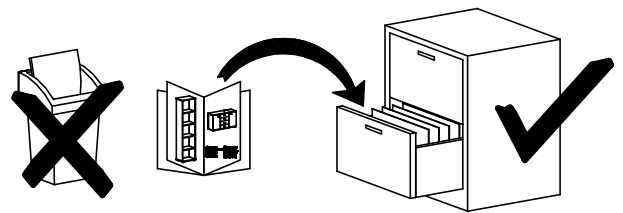
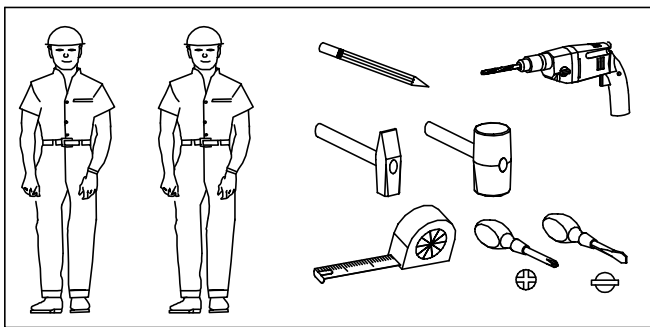
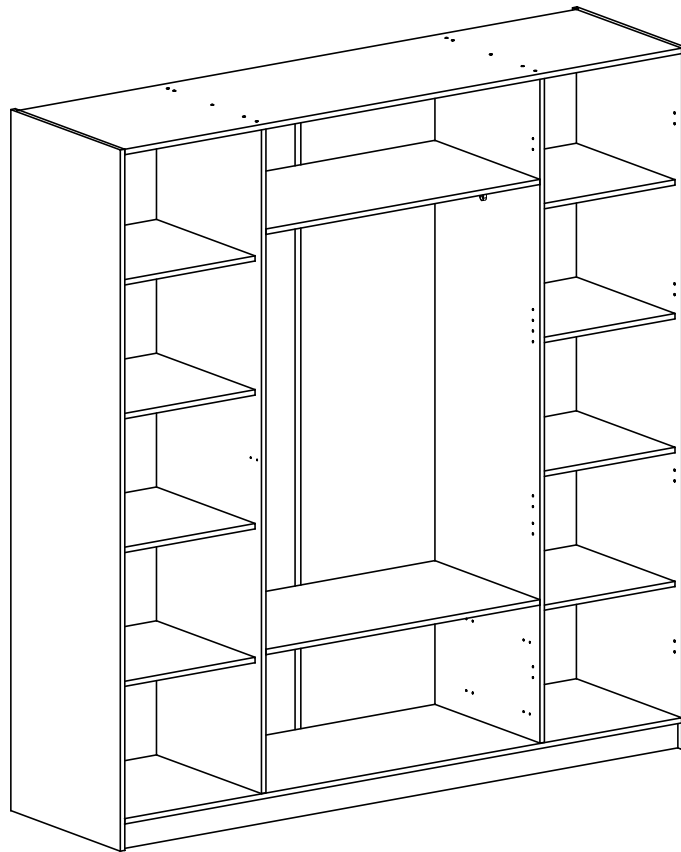
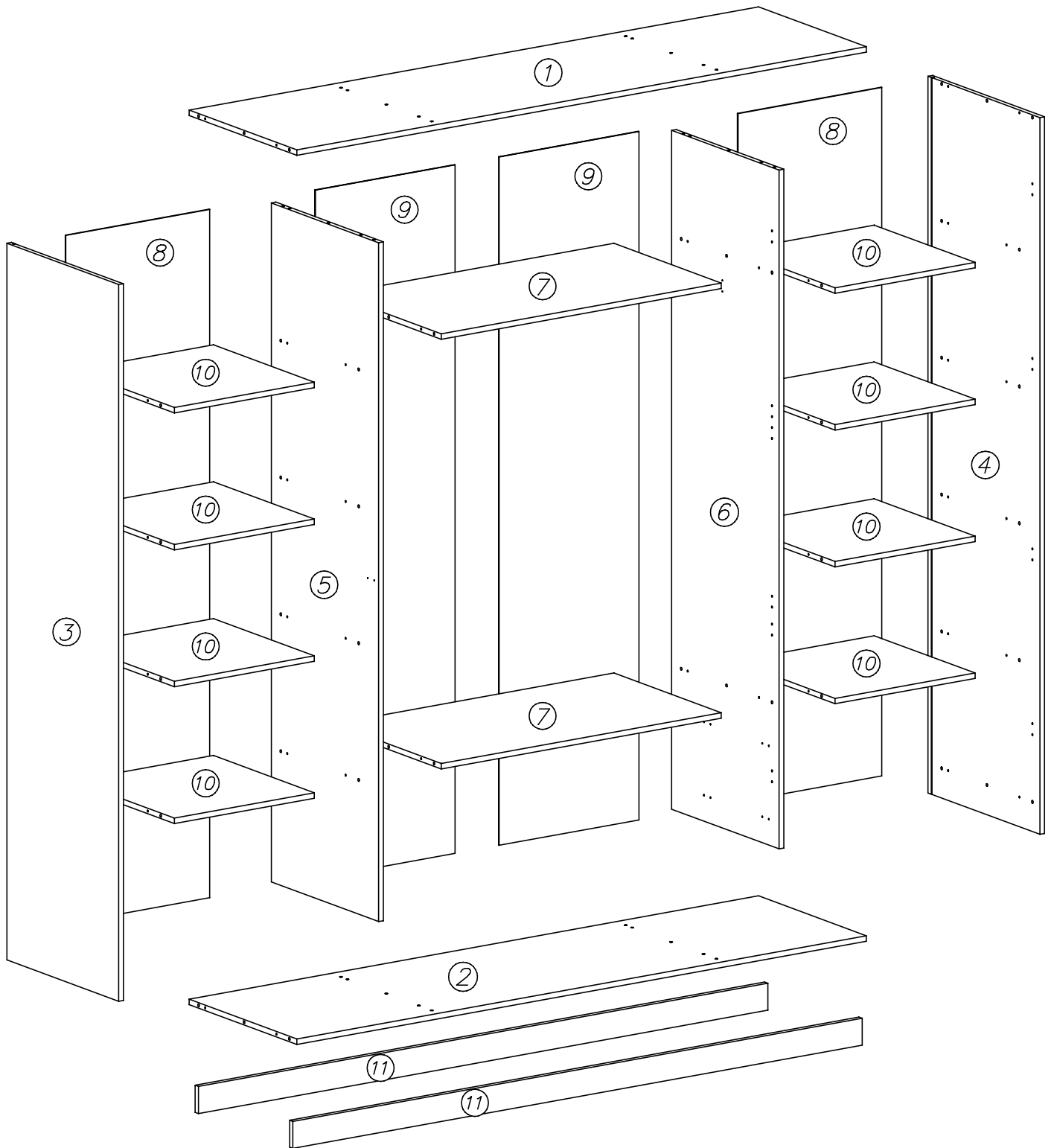
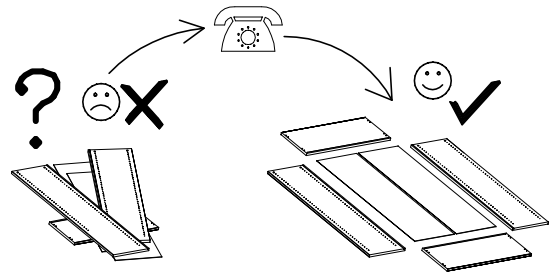
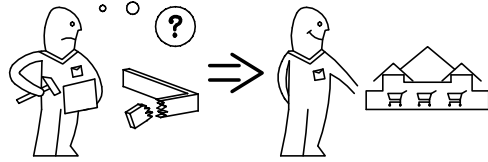
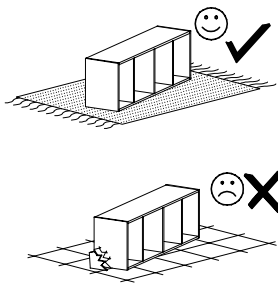
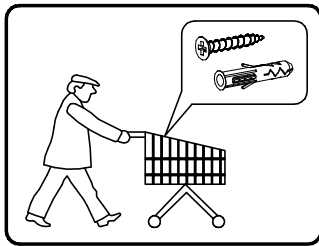
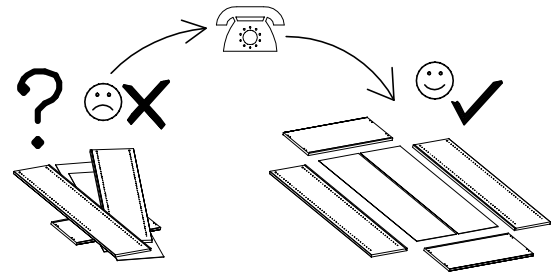
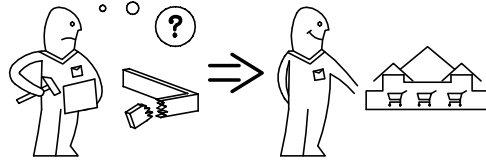
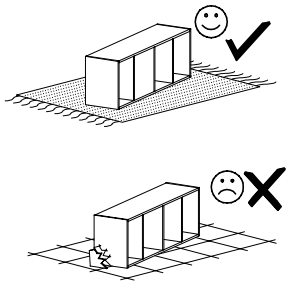



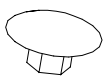

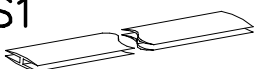
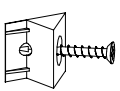

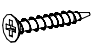
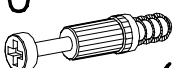

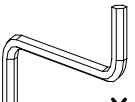
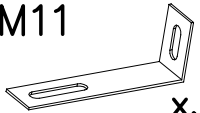



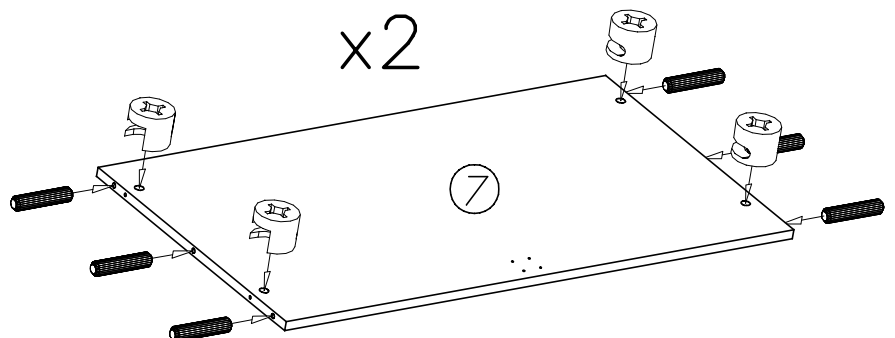
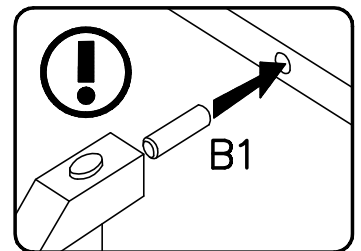
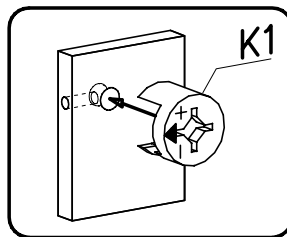
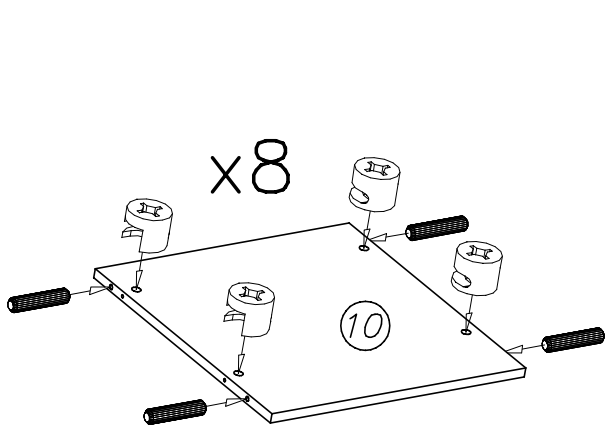
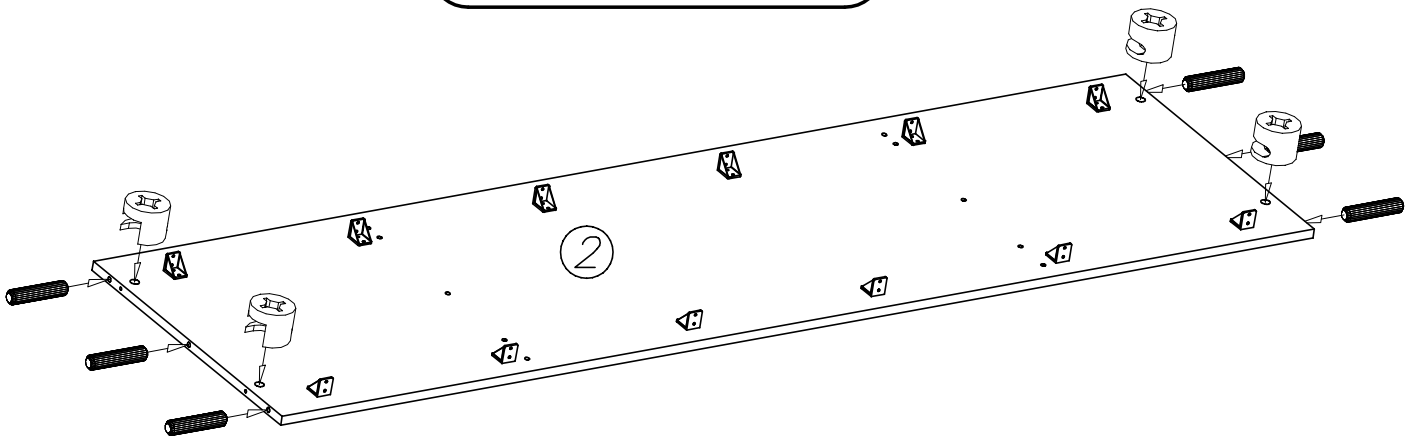
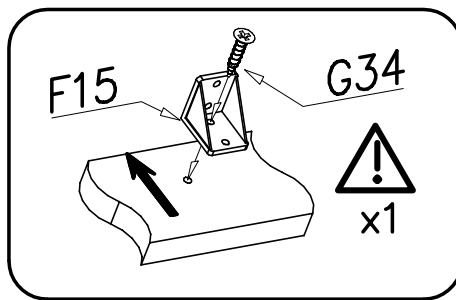
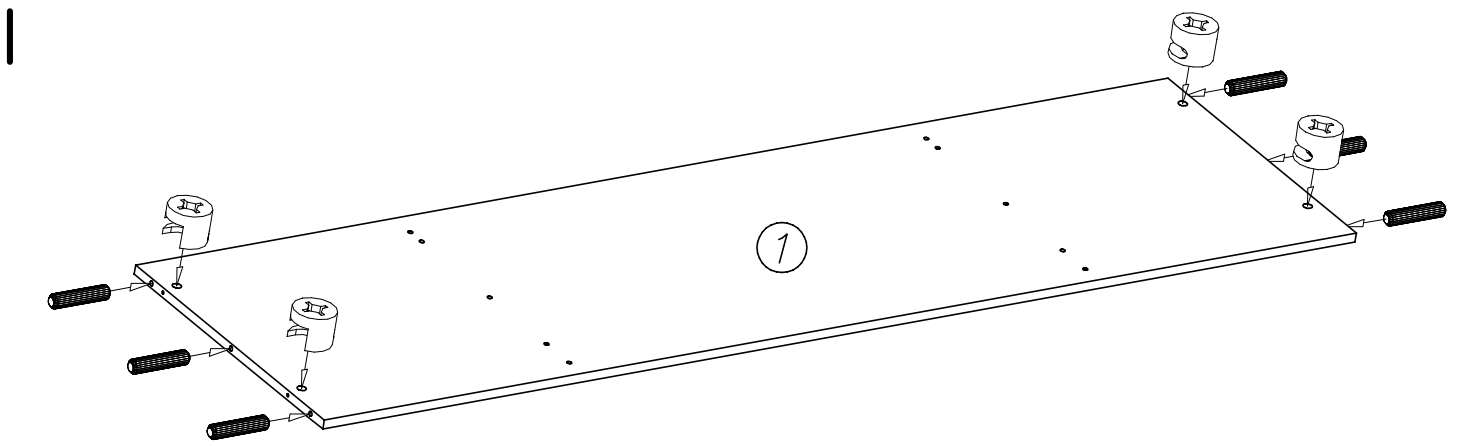
Installation & Assembly



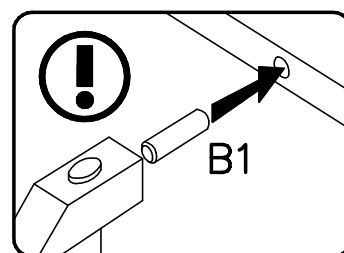
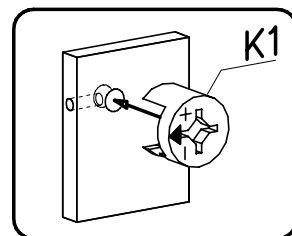
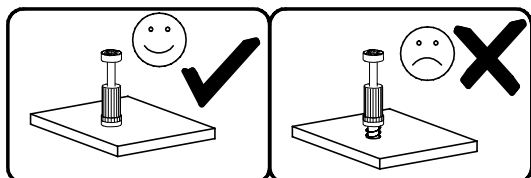
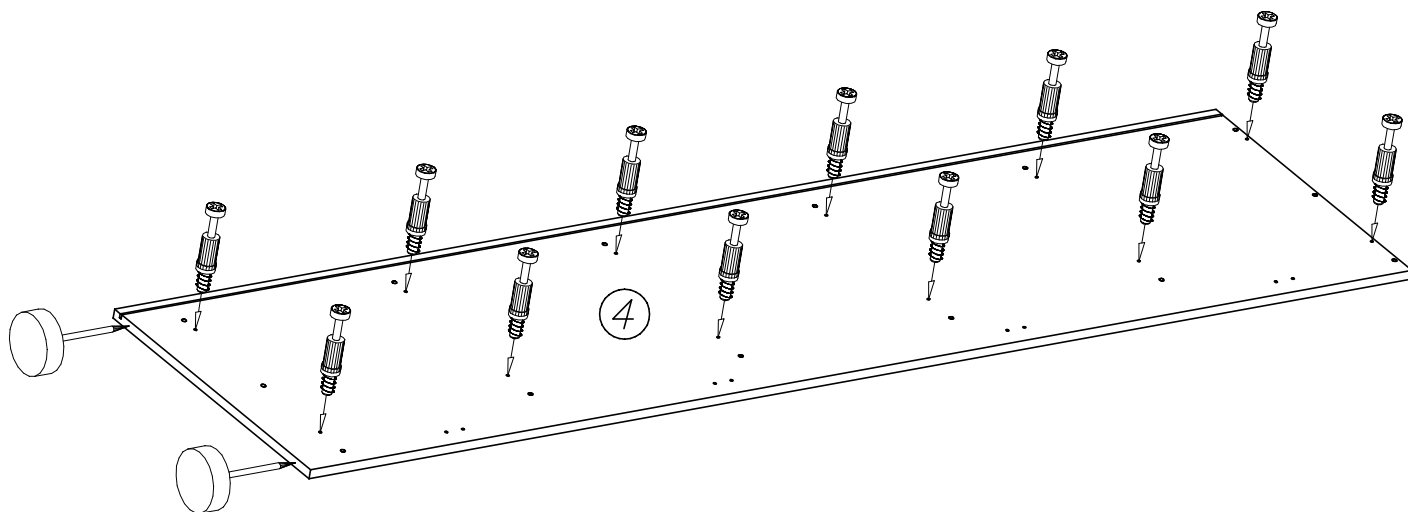
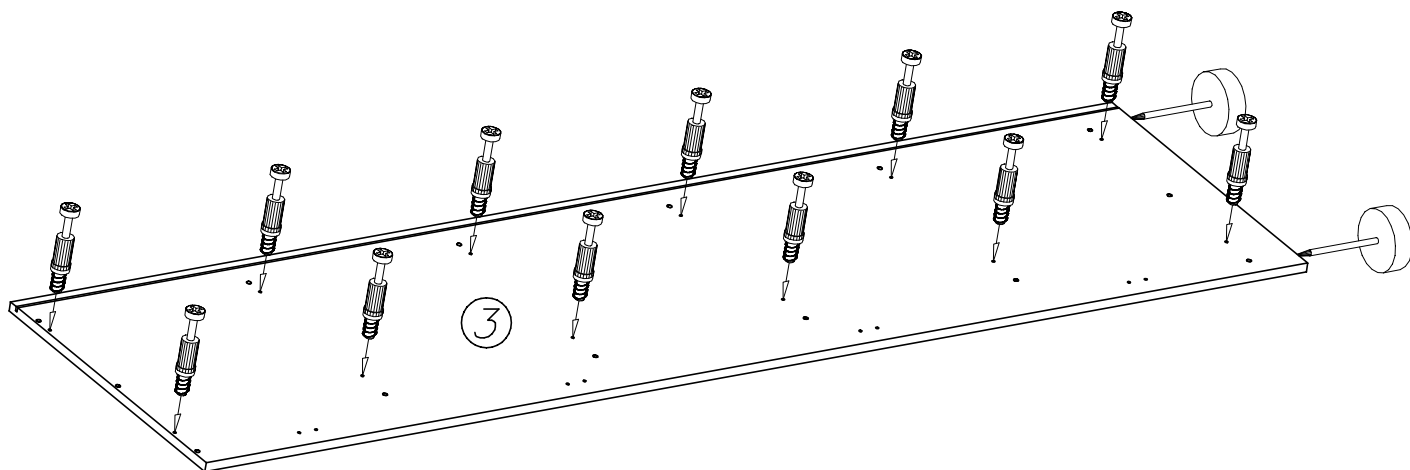




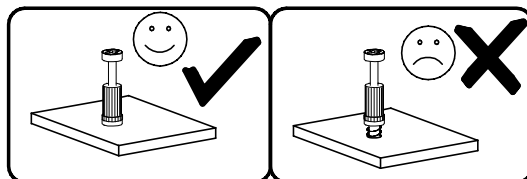
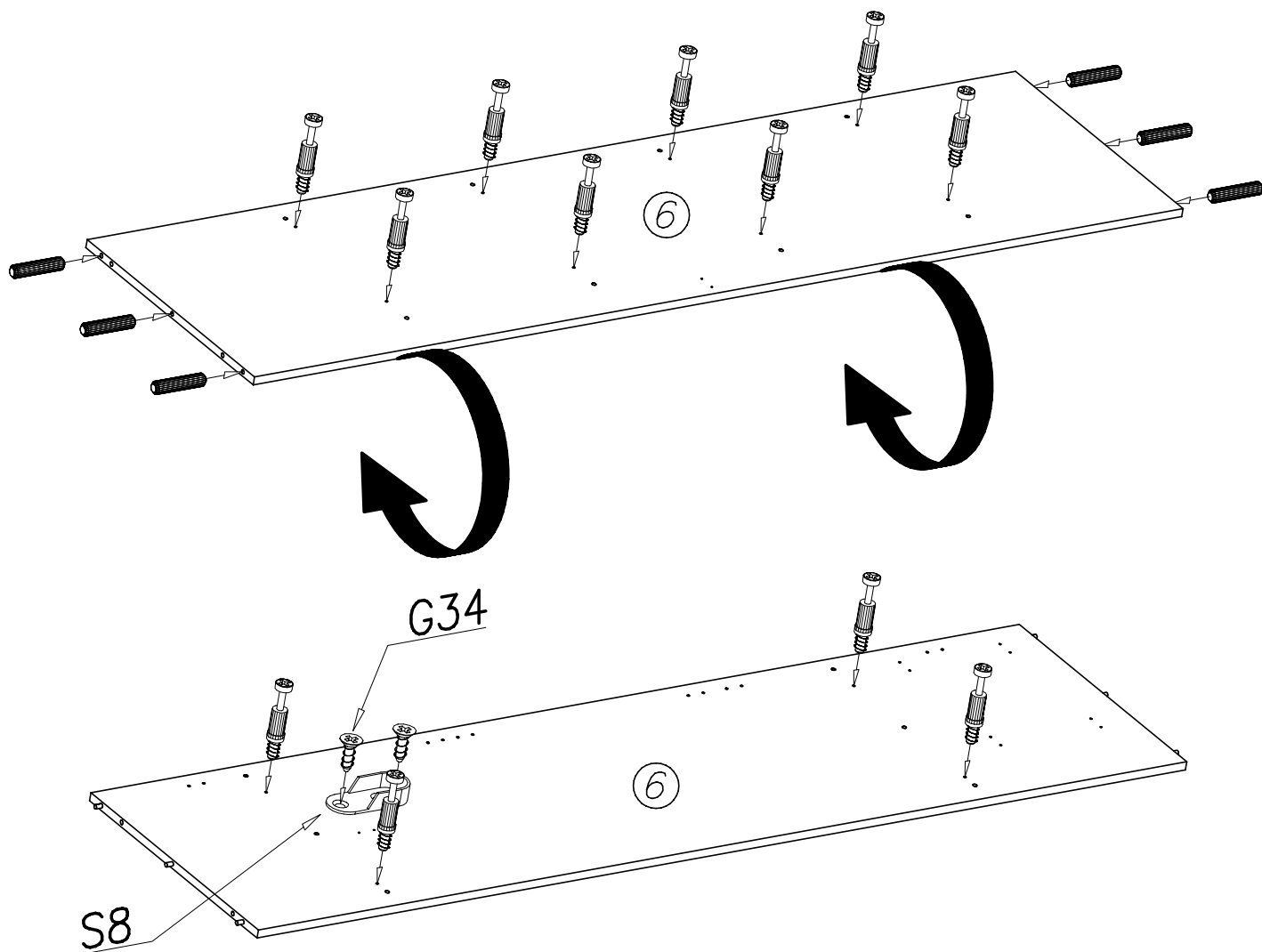
P4  x...(8)	G57  3,5x16 x...(68)	F15  x...(16)	I7  ø18 x...(48)	
K1  ø15x12 x...(48)	S1  1988mm x...(1)	I1  x...(10)	A1  ø7x50 x...(8)	G2  3x20 x...(126)
K10  x...(48)	B1  ø8x35 x...(68)	W2  x...(1)	M11  x...(2)	S2  x...(36)



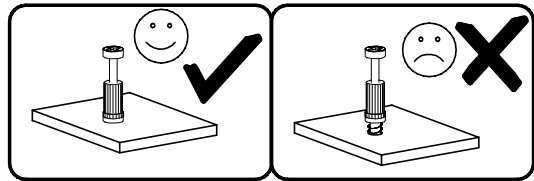
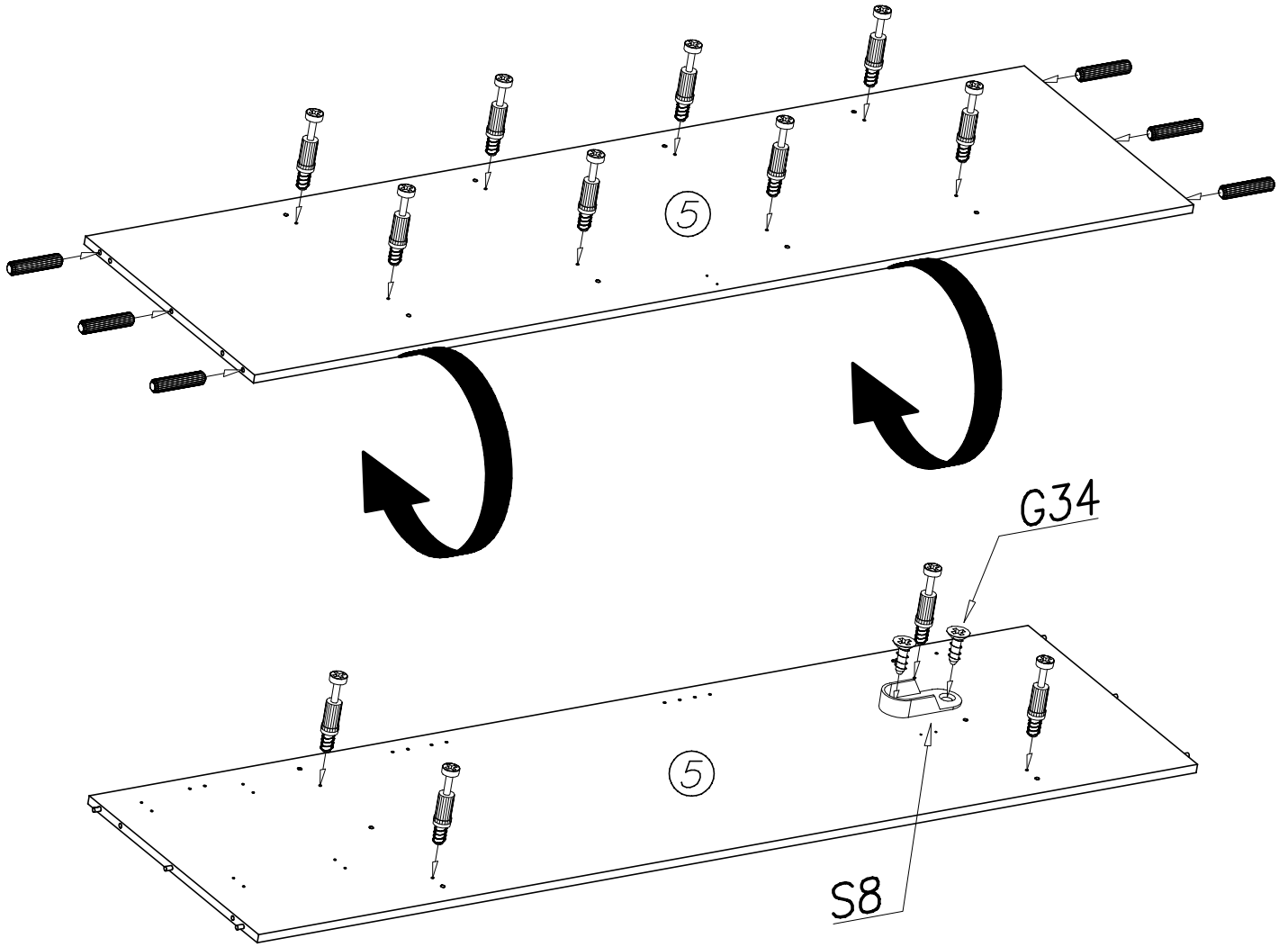
II



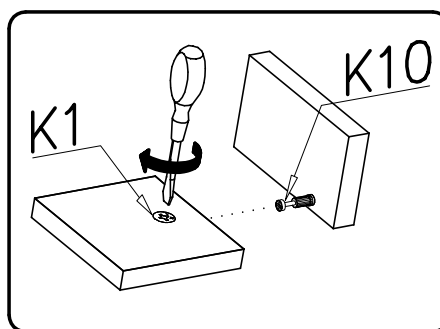
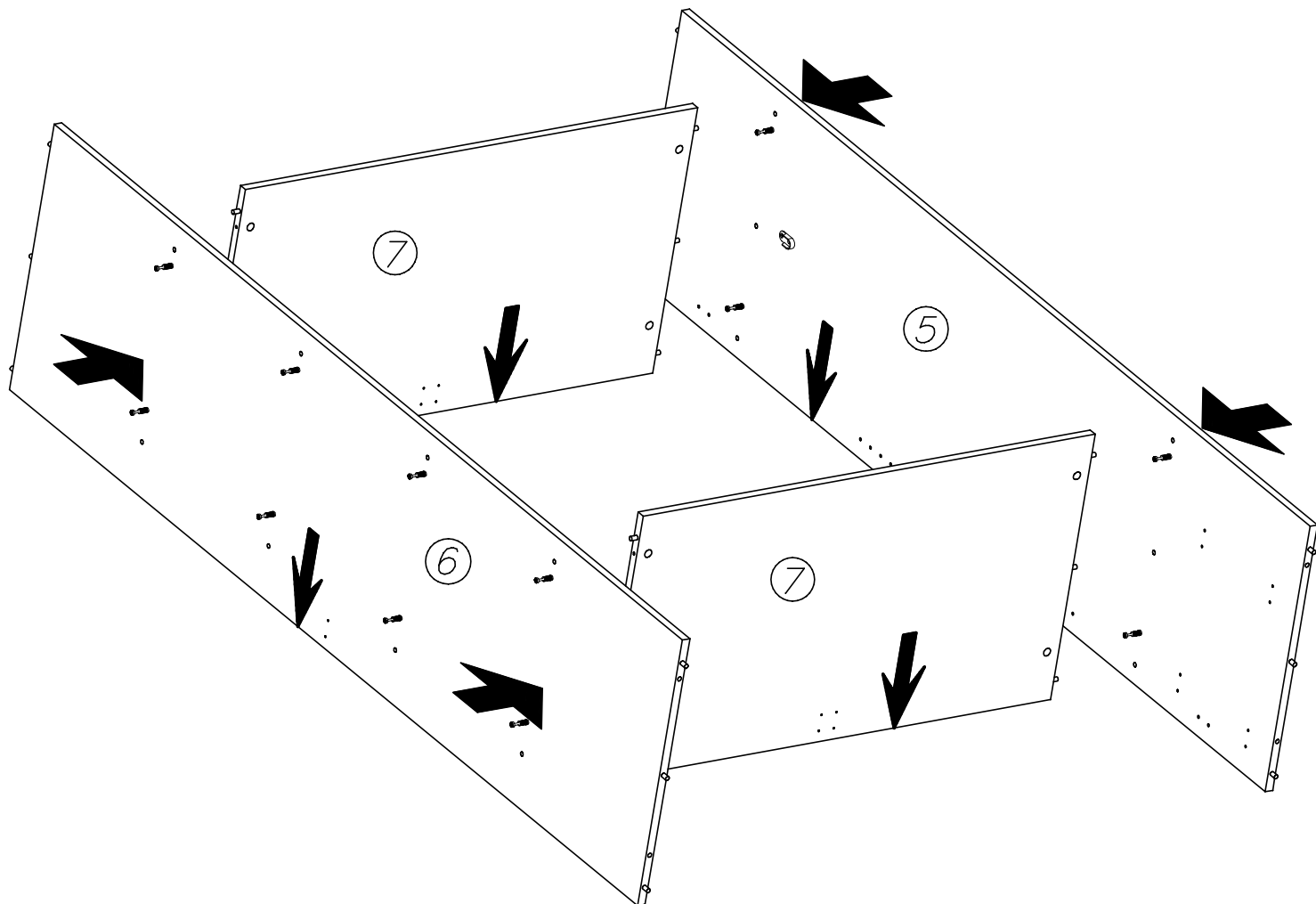
III



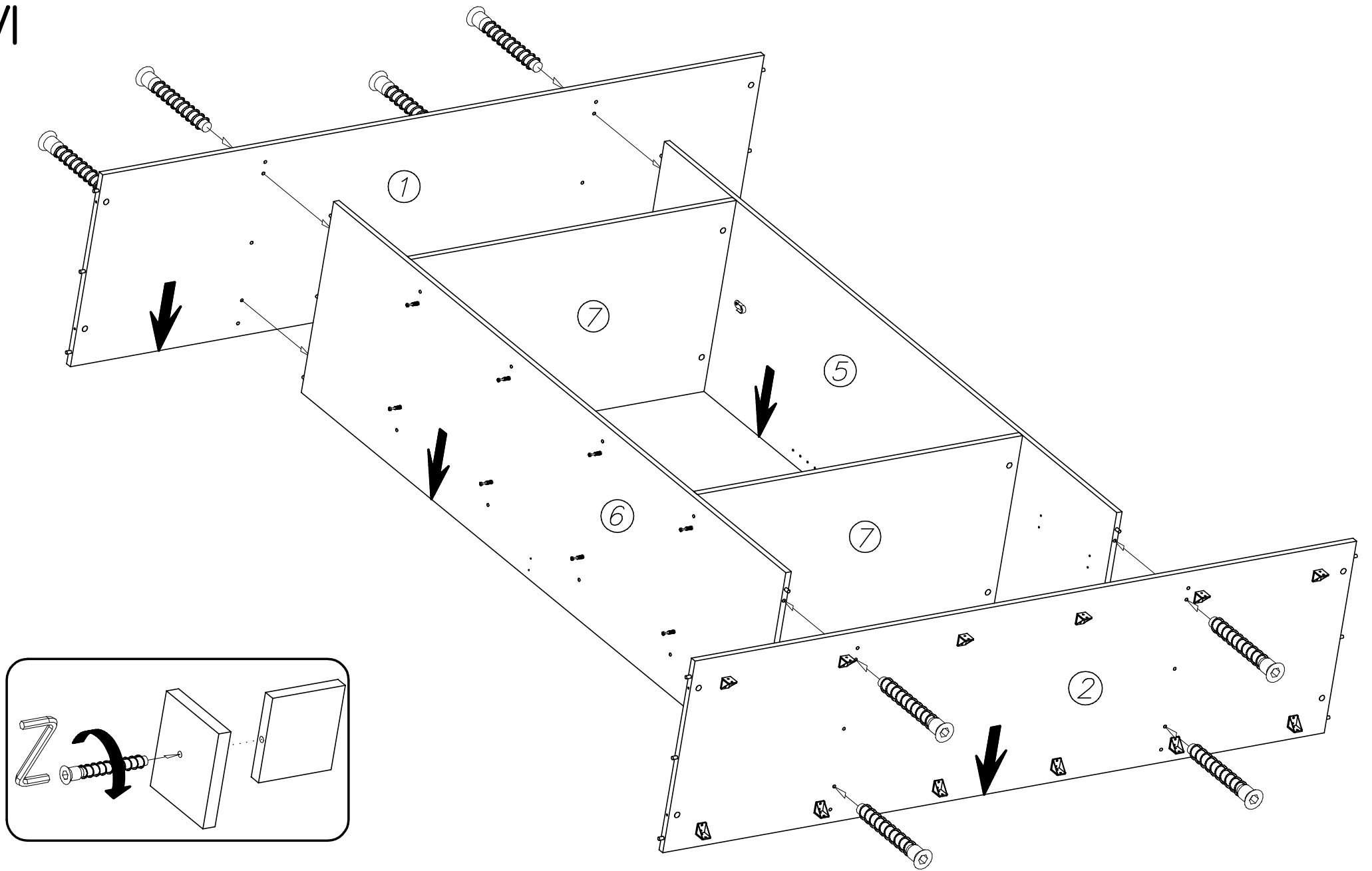
IV



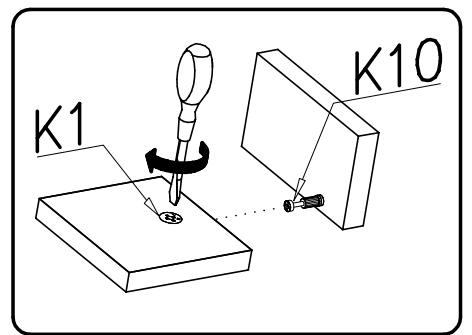
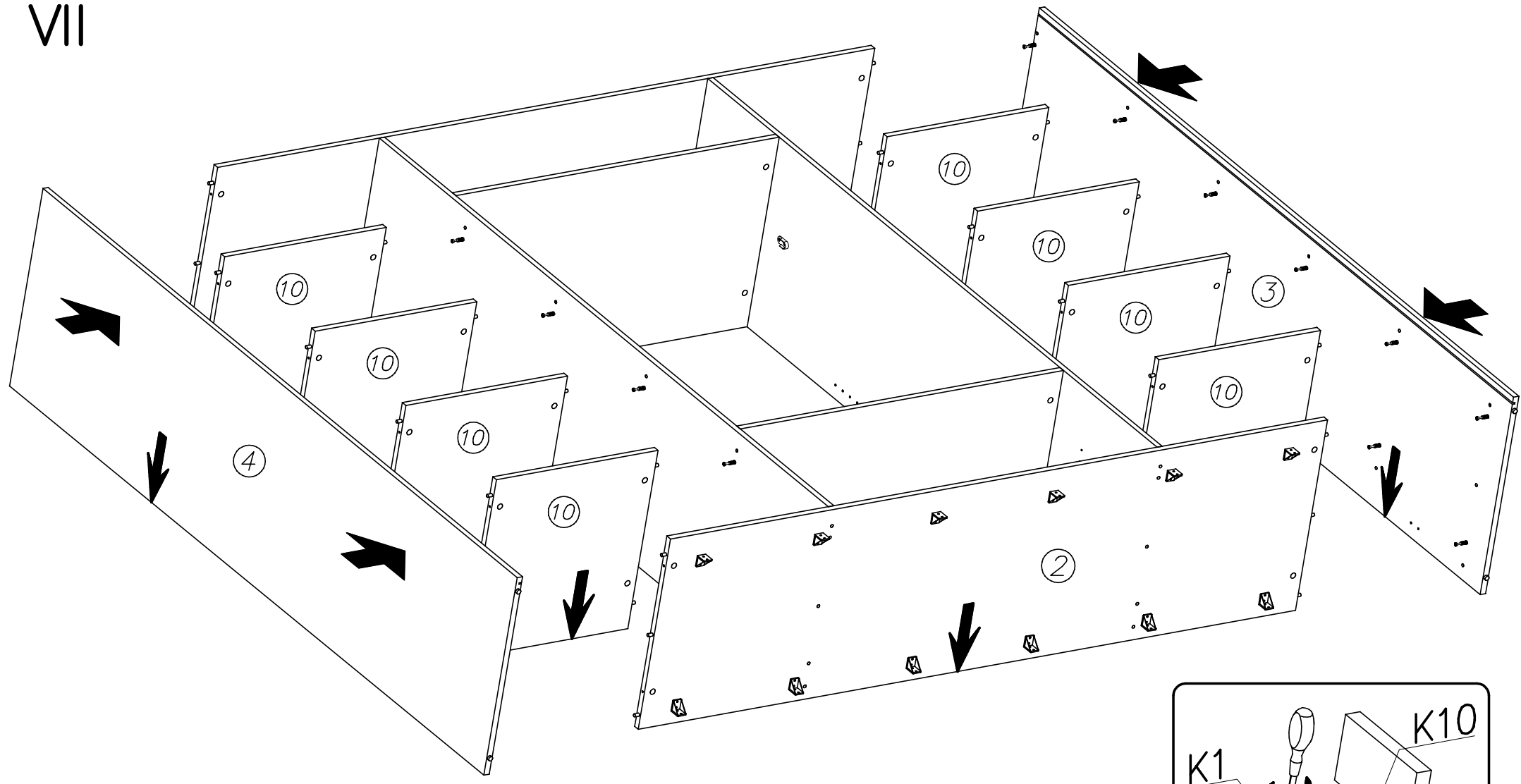
V



VI

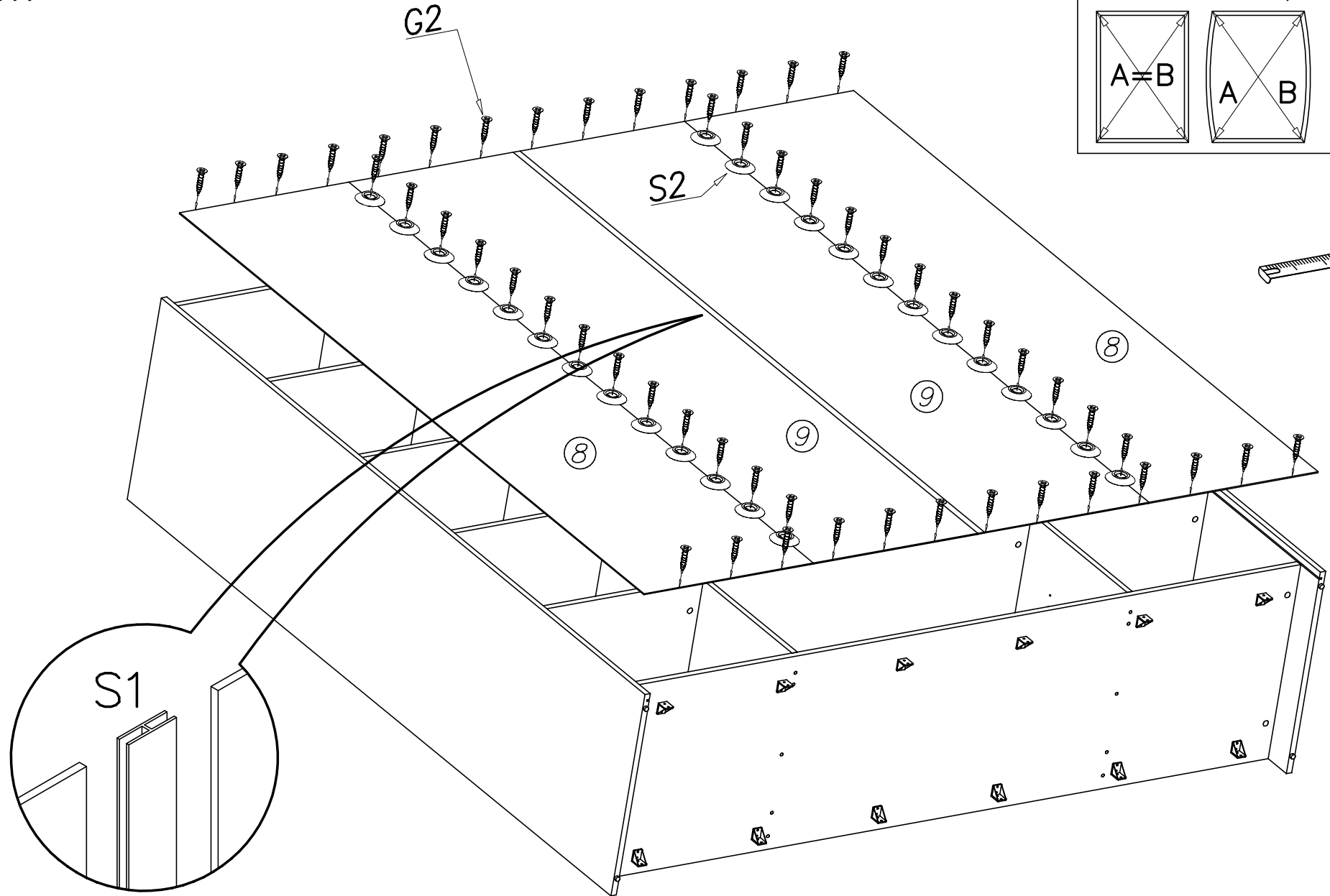
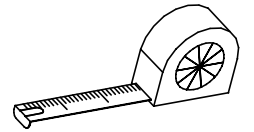
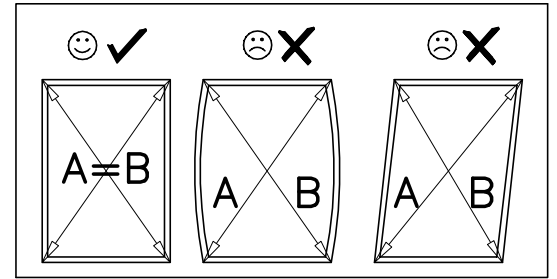


VII

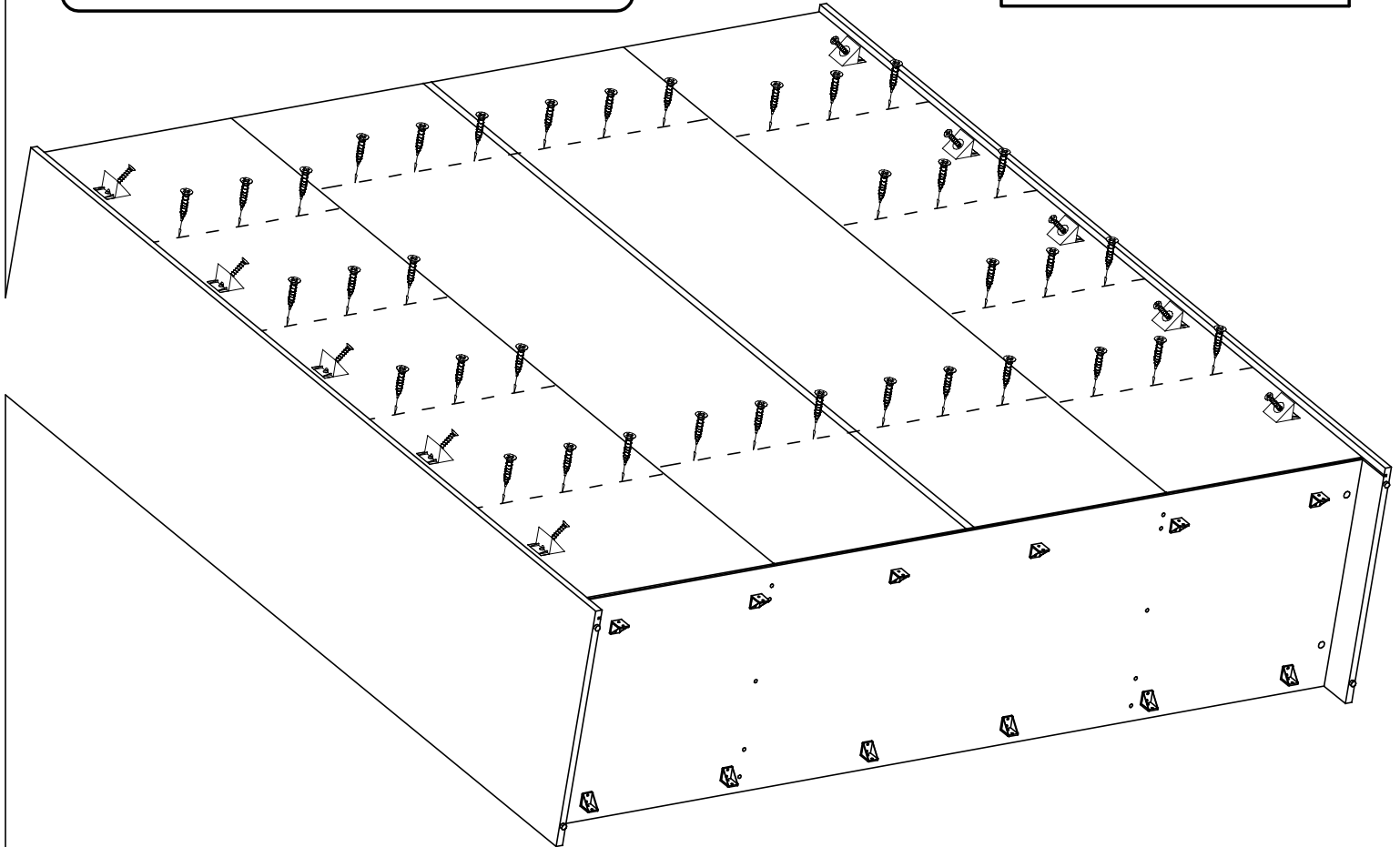
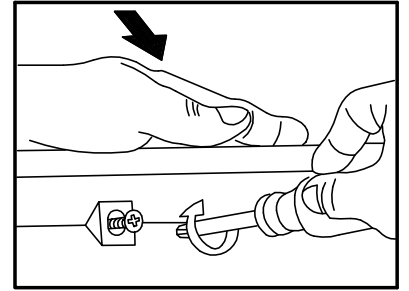
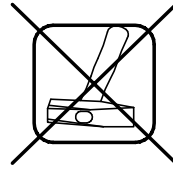
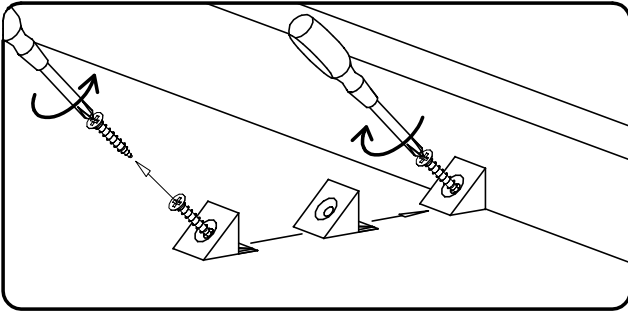
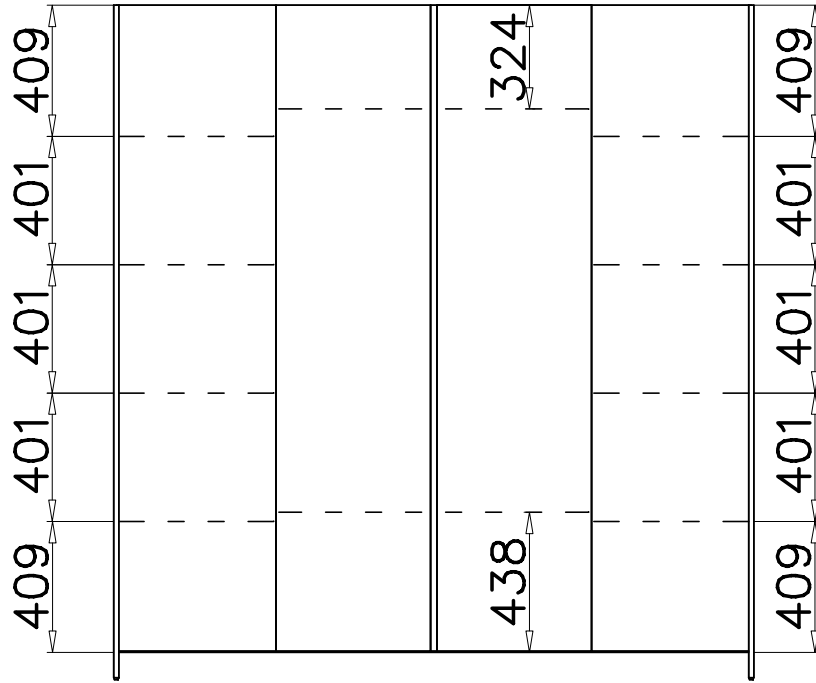


VIII

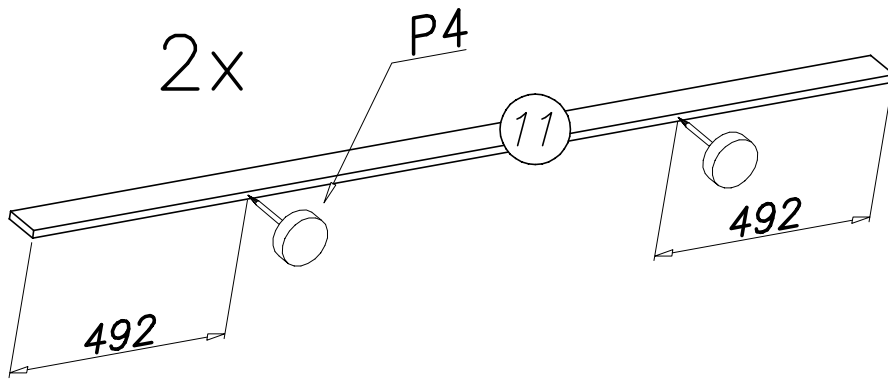
A=B



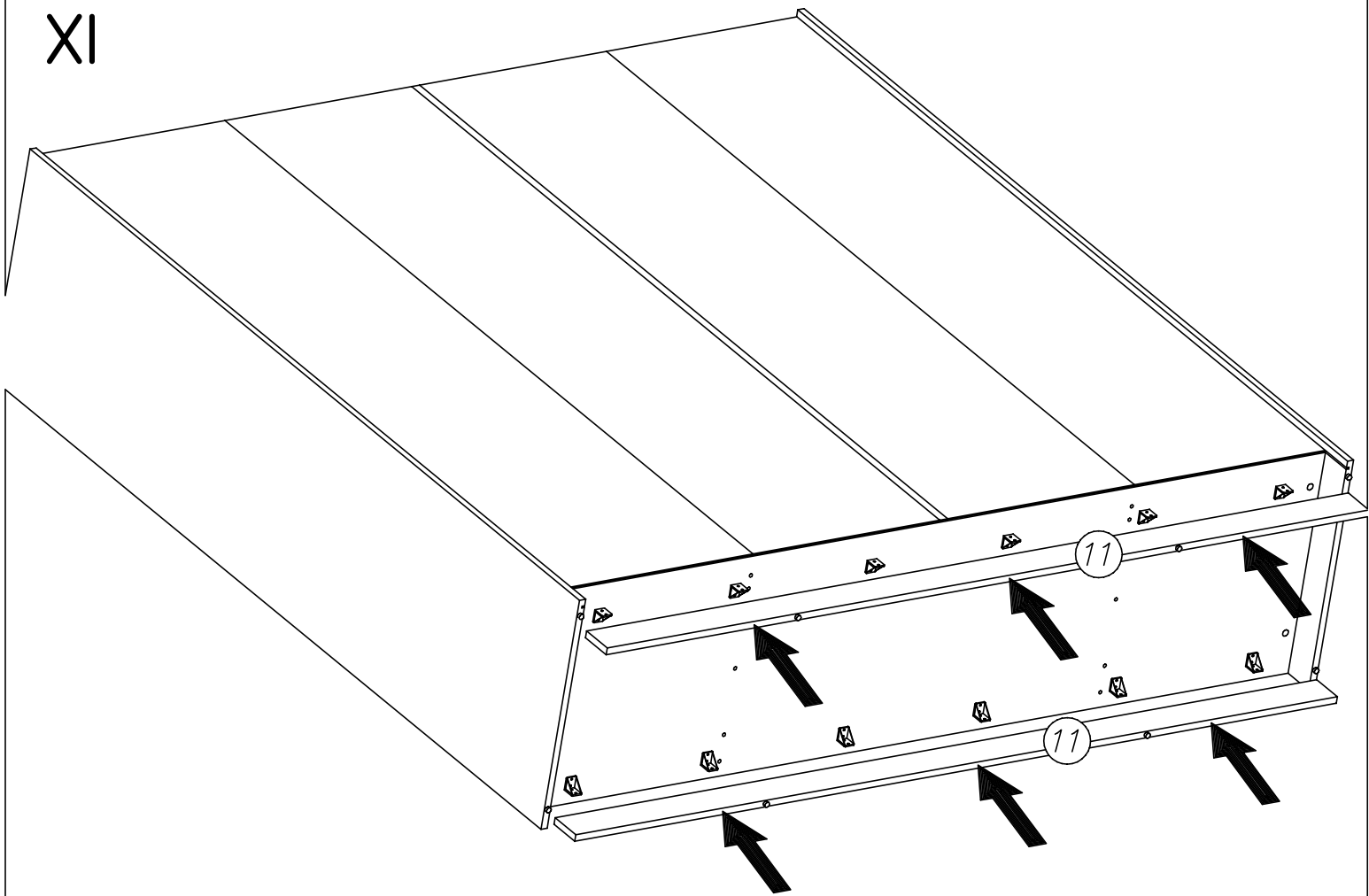
IX



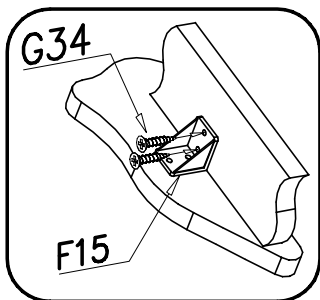
X



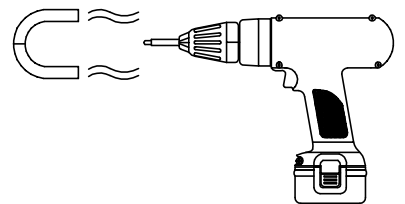
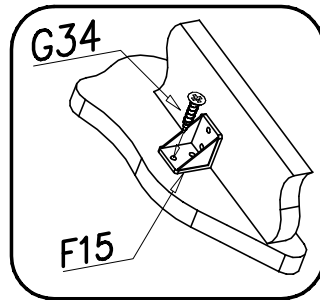
XI



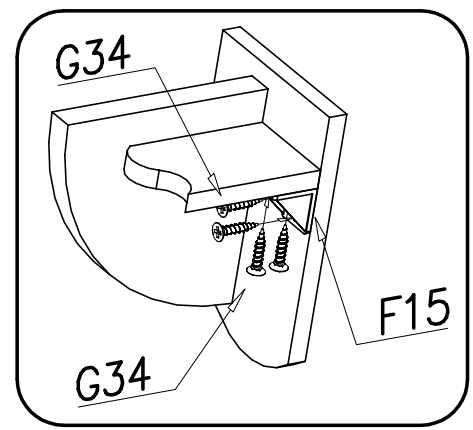
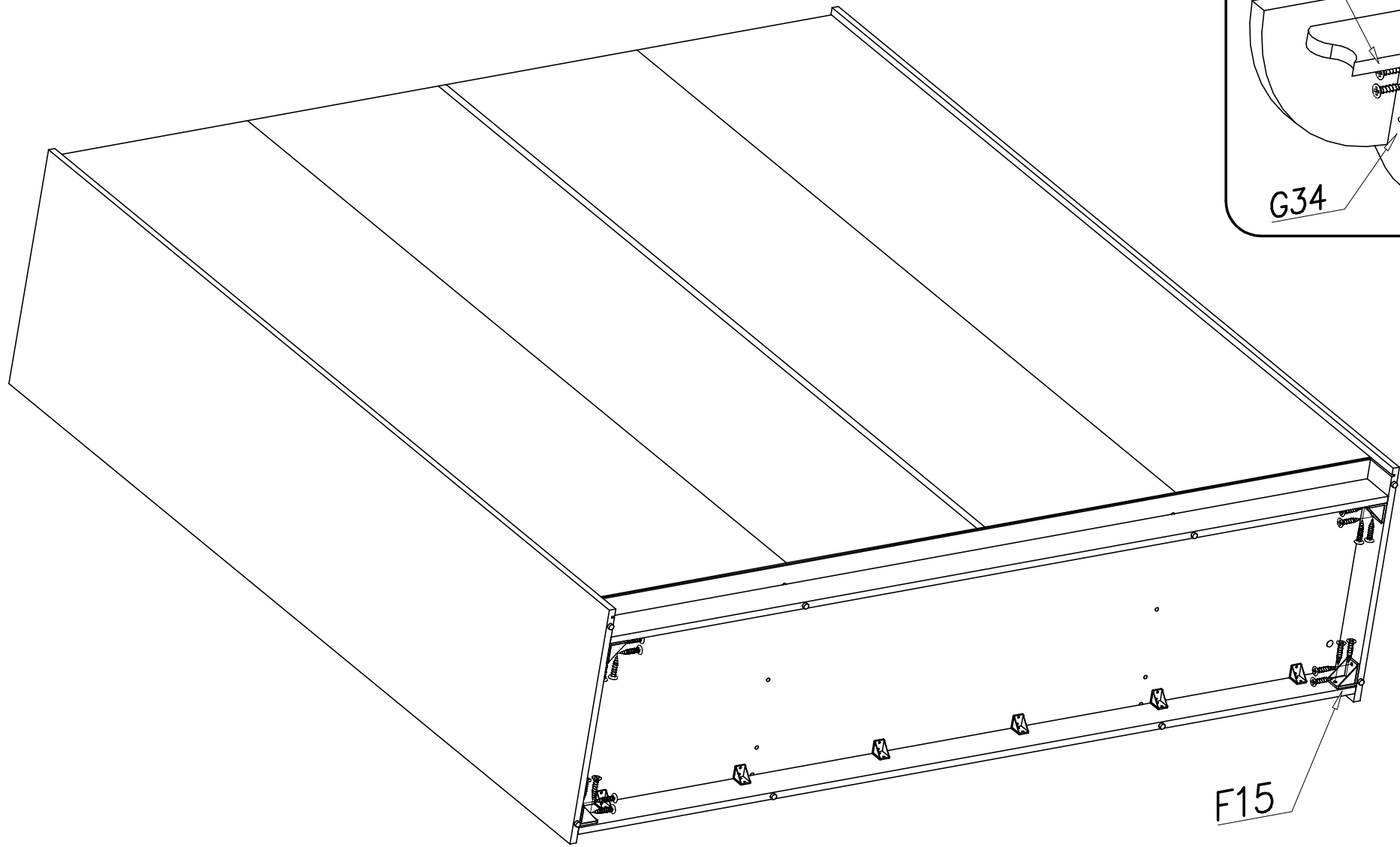
1.



2.

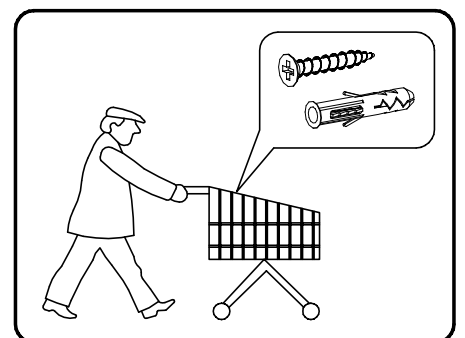
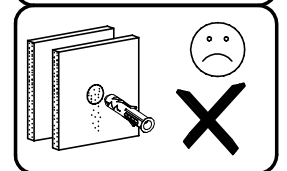
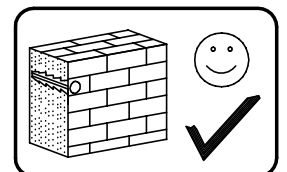
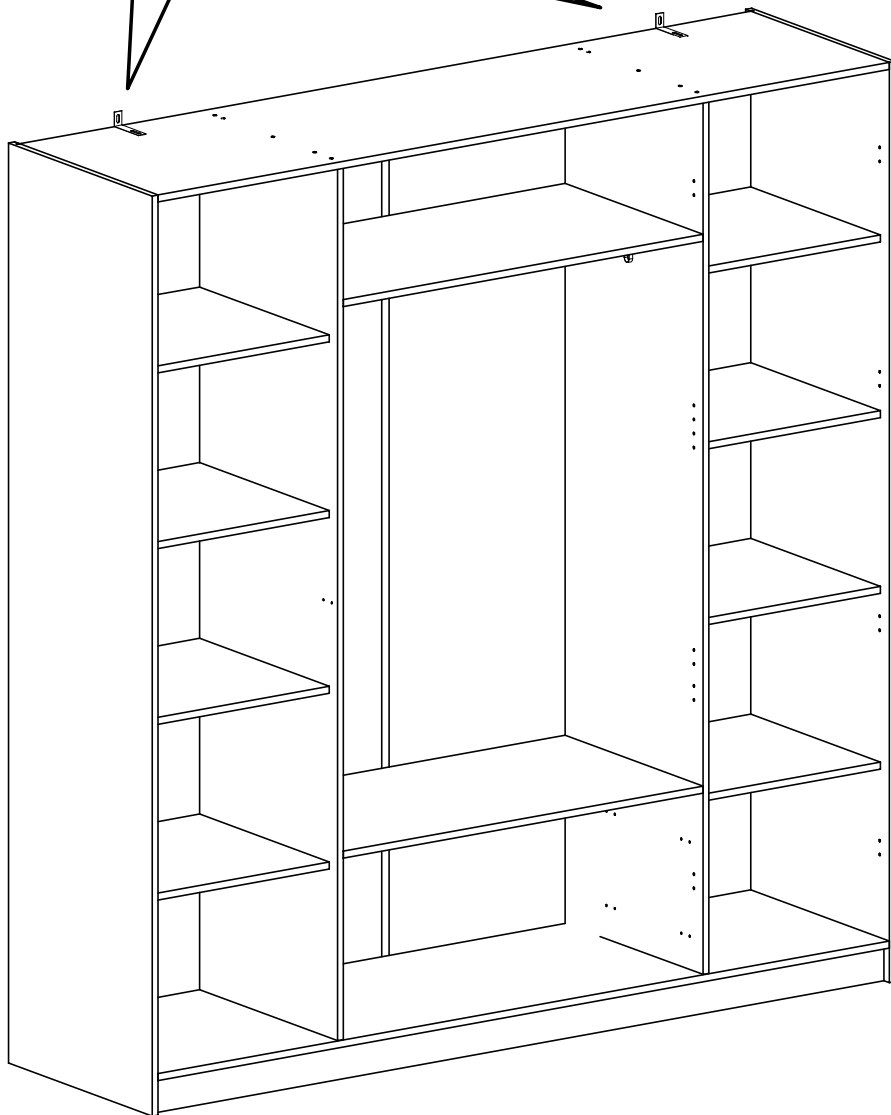
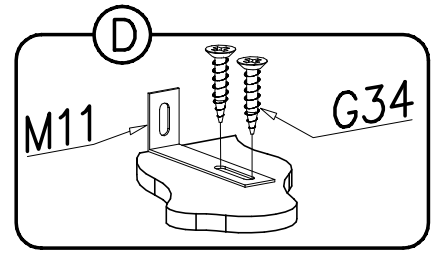
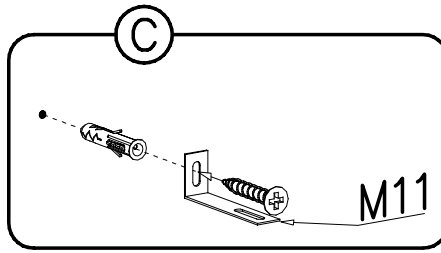
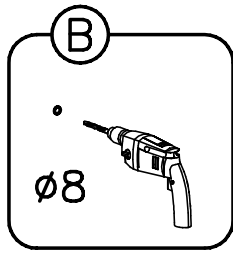
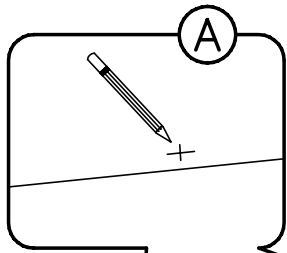


XII

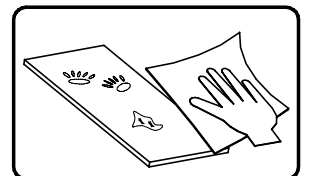
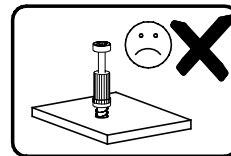
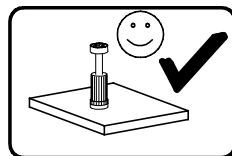
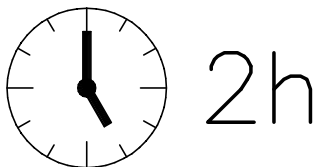
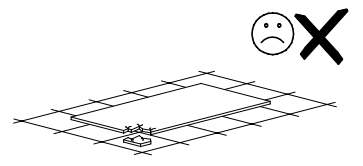
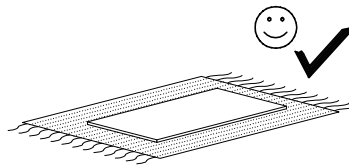
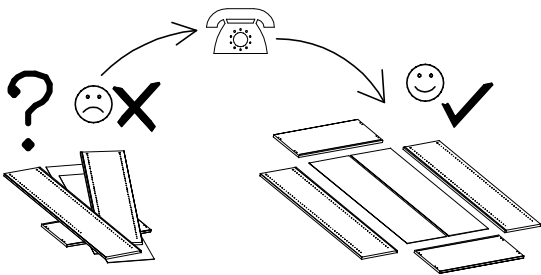
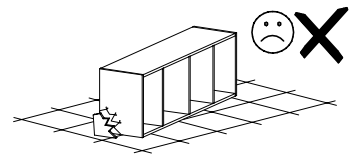
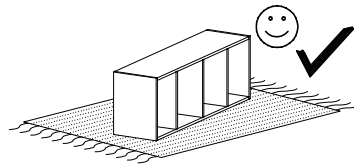
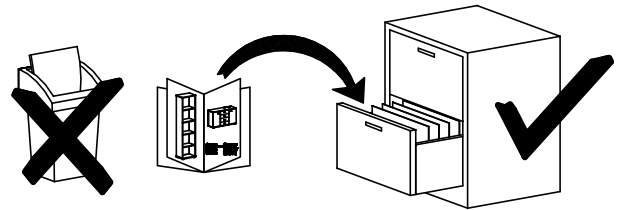
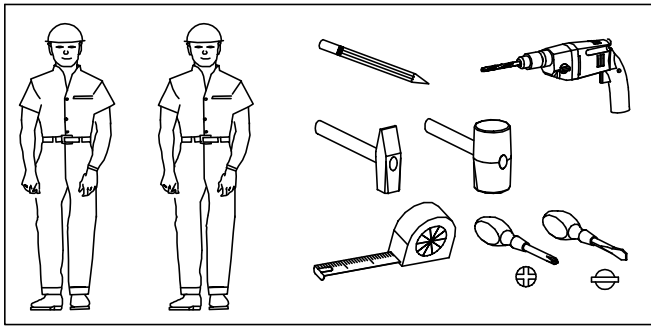
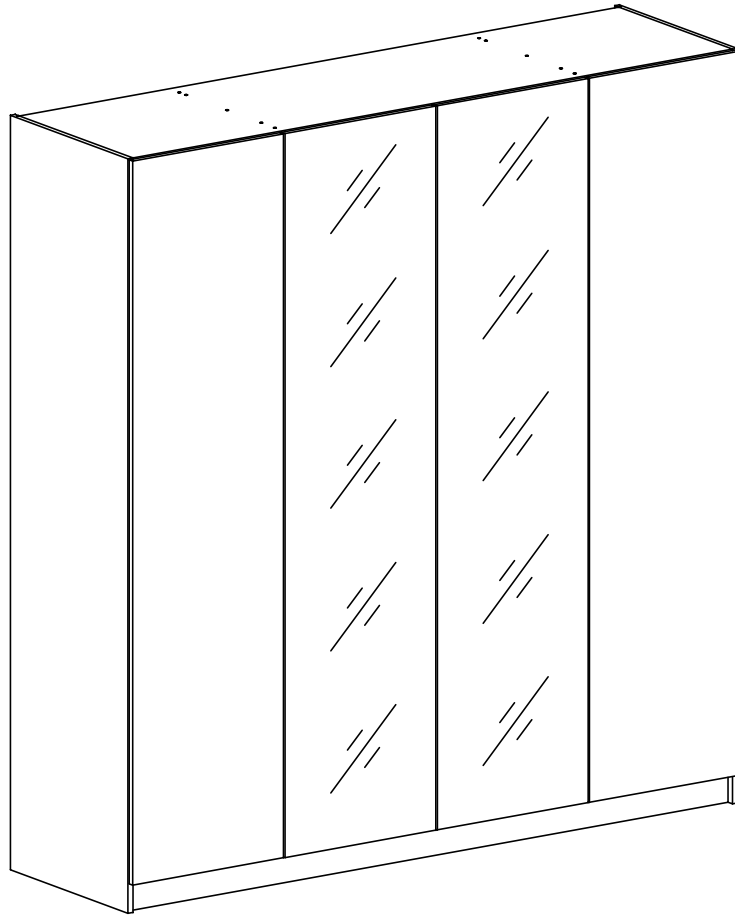


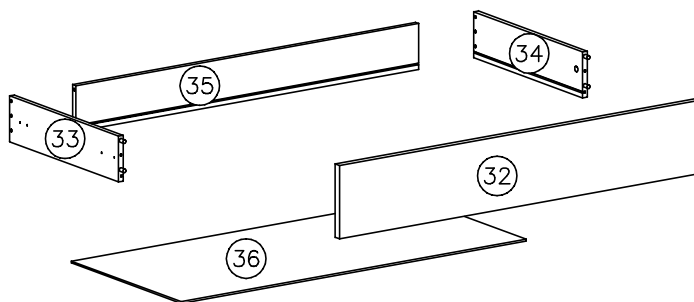
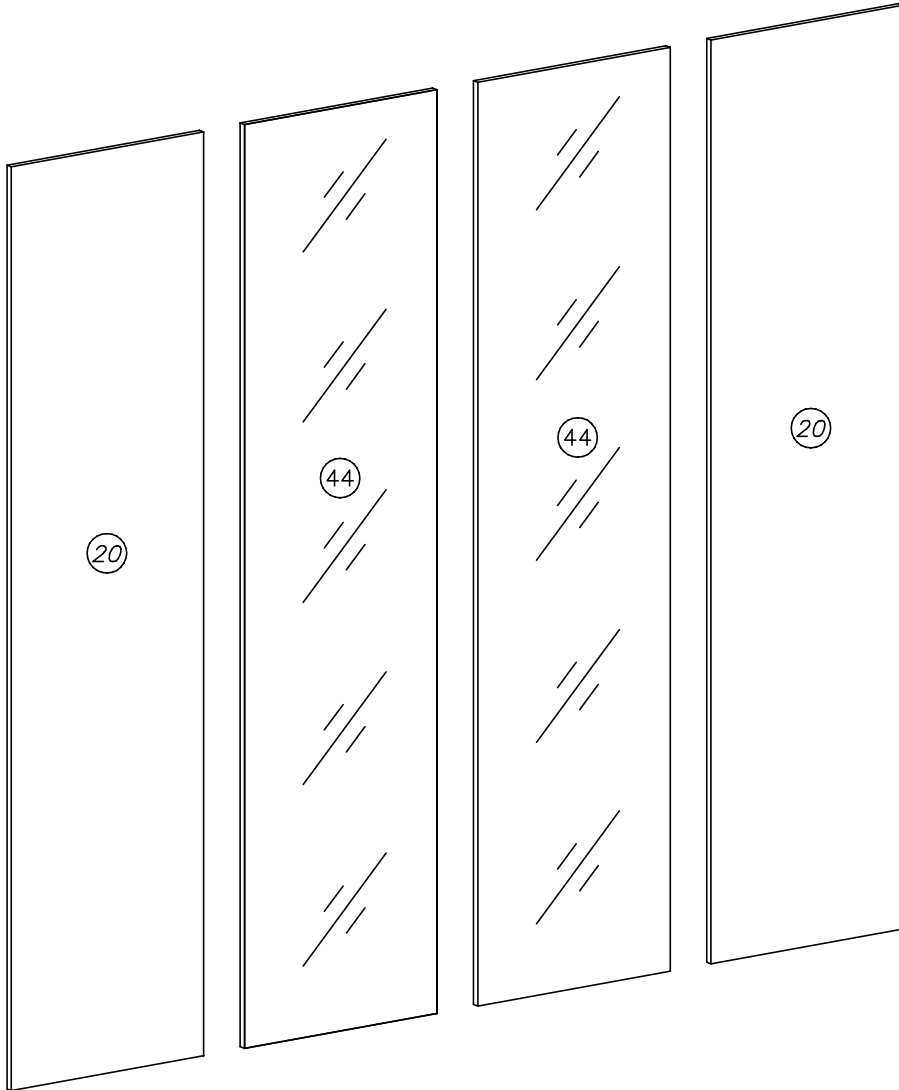
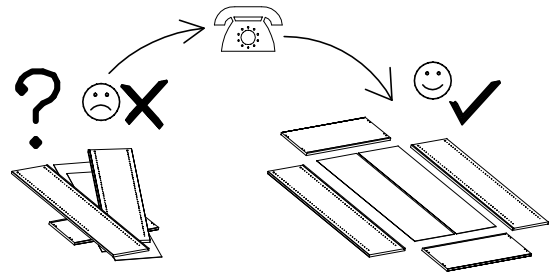
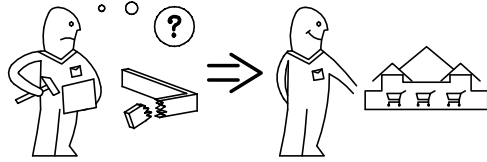
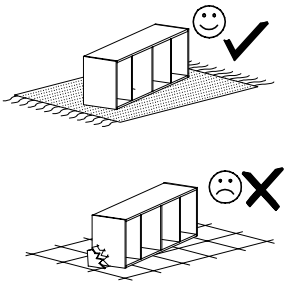
F15

XIII

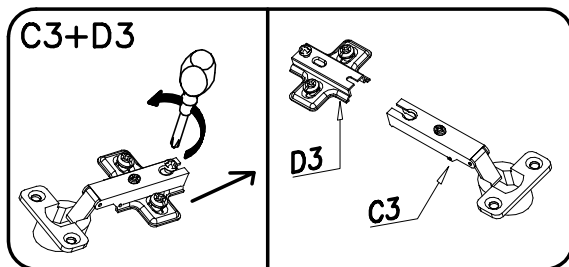
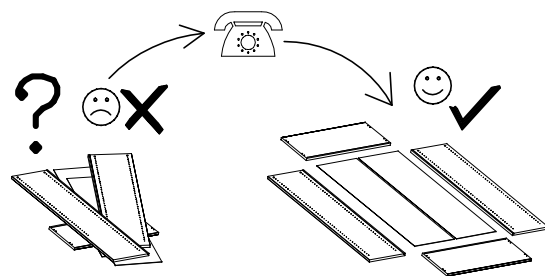
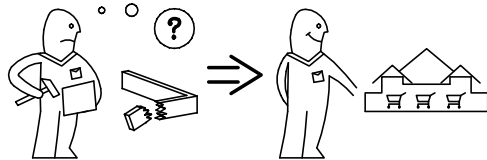
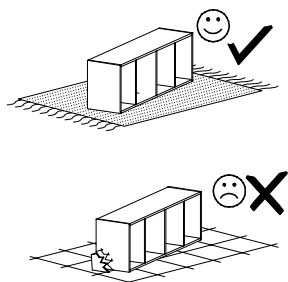


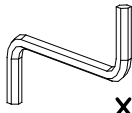

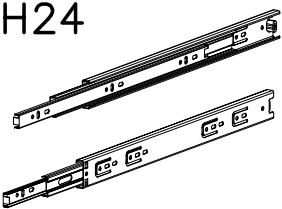
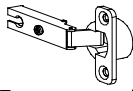
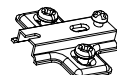



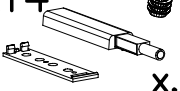
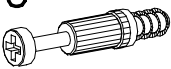

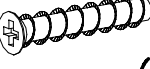



4D lustru push



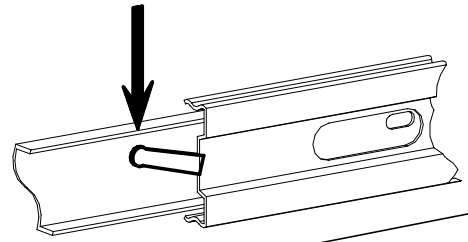
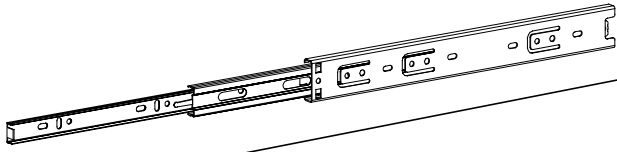


4D lustro push

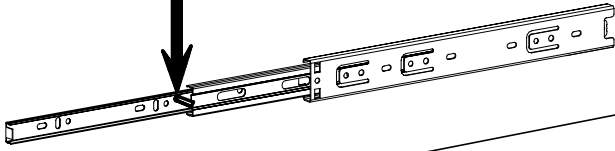


			W2  x...(1)	K4  ø12x10 x...(4)
H24  H35-400mm x...(2)	C3  Z35PR x...(16) D3  H=2 PZ35PR x...(16)	G34  3,5x16 x...(36) I27  18mm x...(8)	G57  3,5x16 x...(8)	L14  x...(4)
K10  x...(4)	W1  GLUE, LEIM, LEPIDLO, LIM x...(1)	G58  6x32 x...(8)	G20  5x11 x...(8)	A6  ø7x40 x...(8)
			M8  400mm x...(2)	

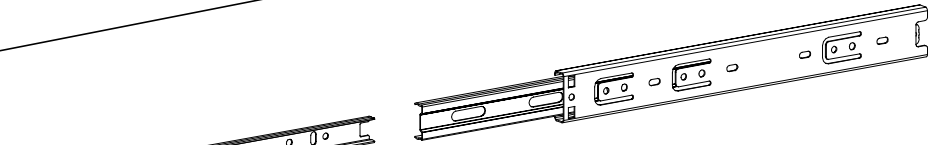
(A)



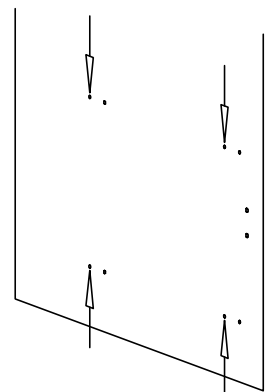
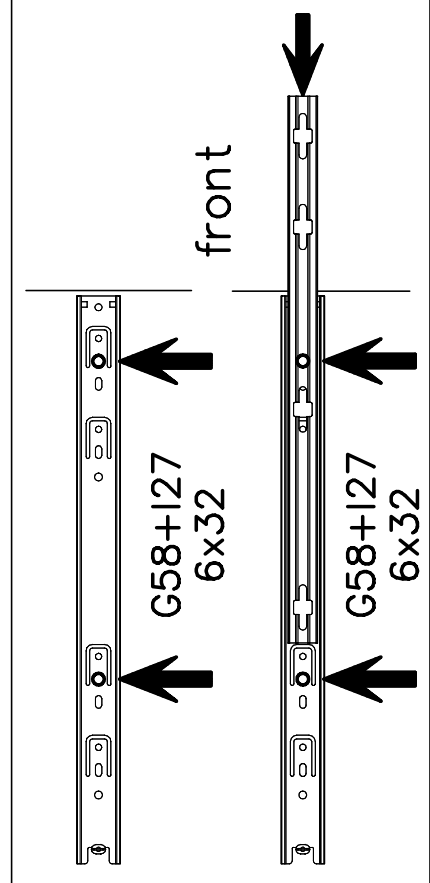
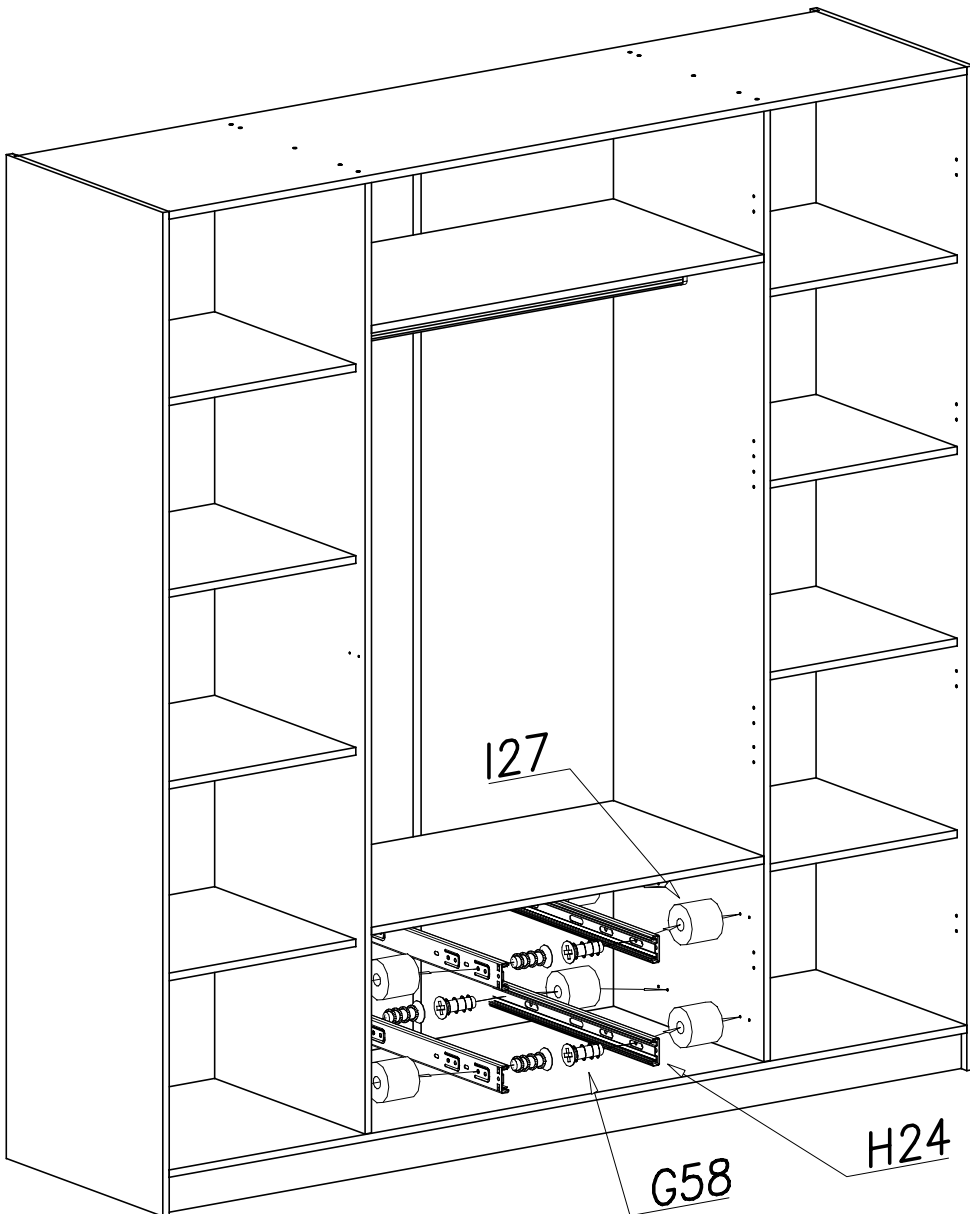
(B)



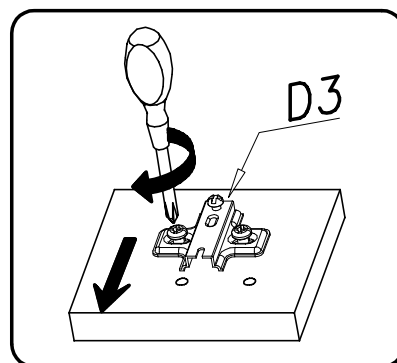
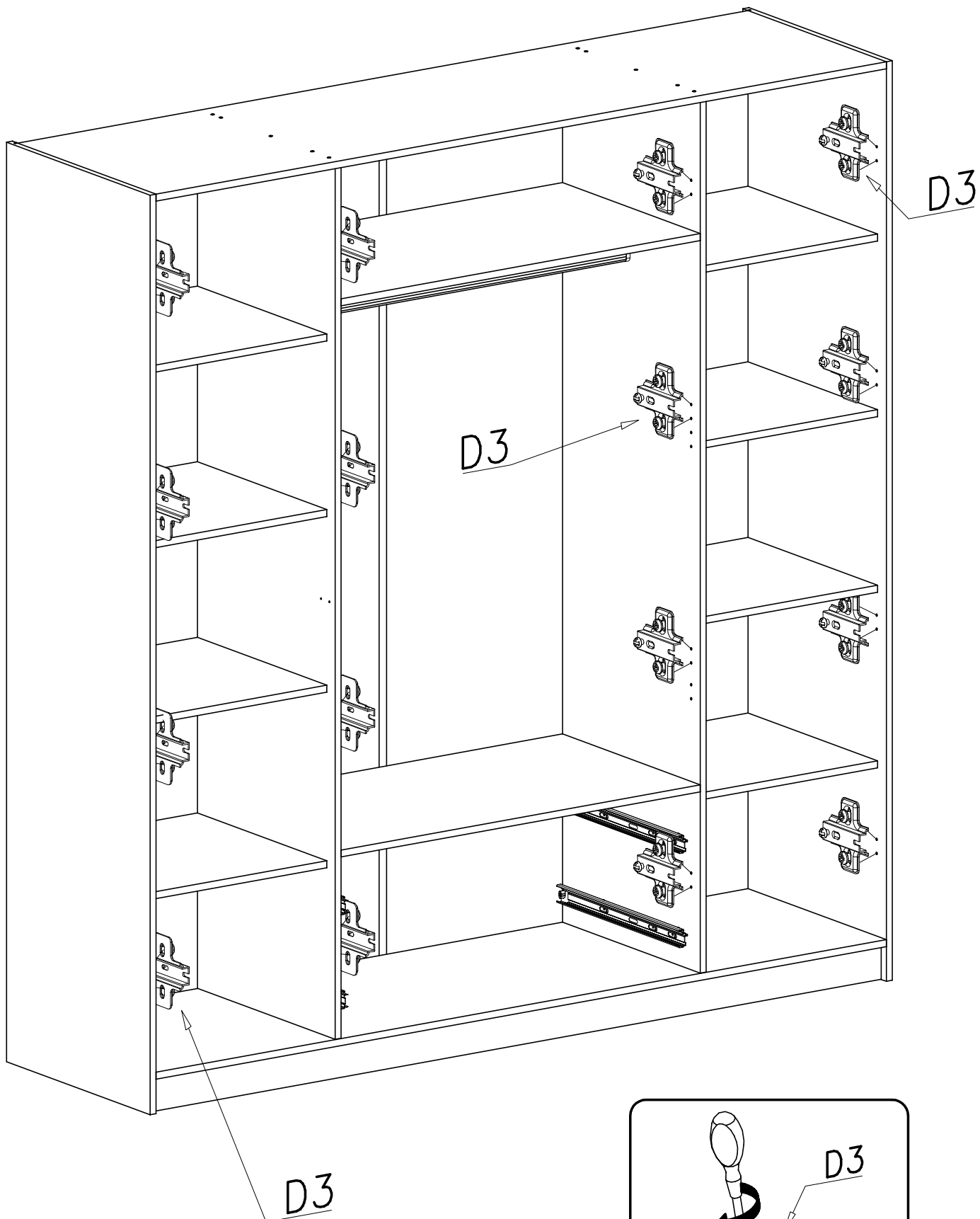
(C)



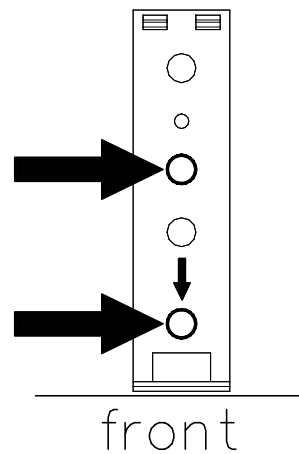
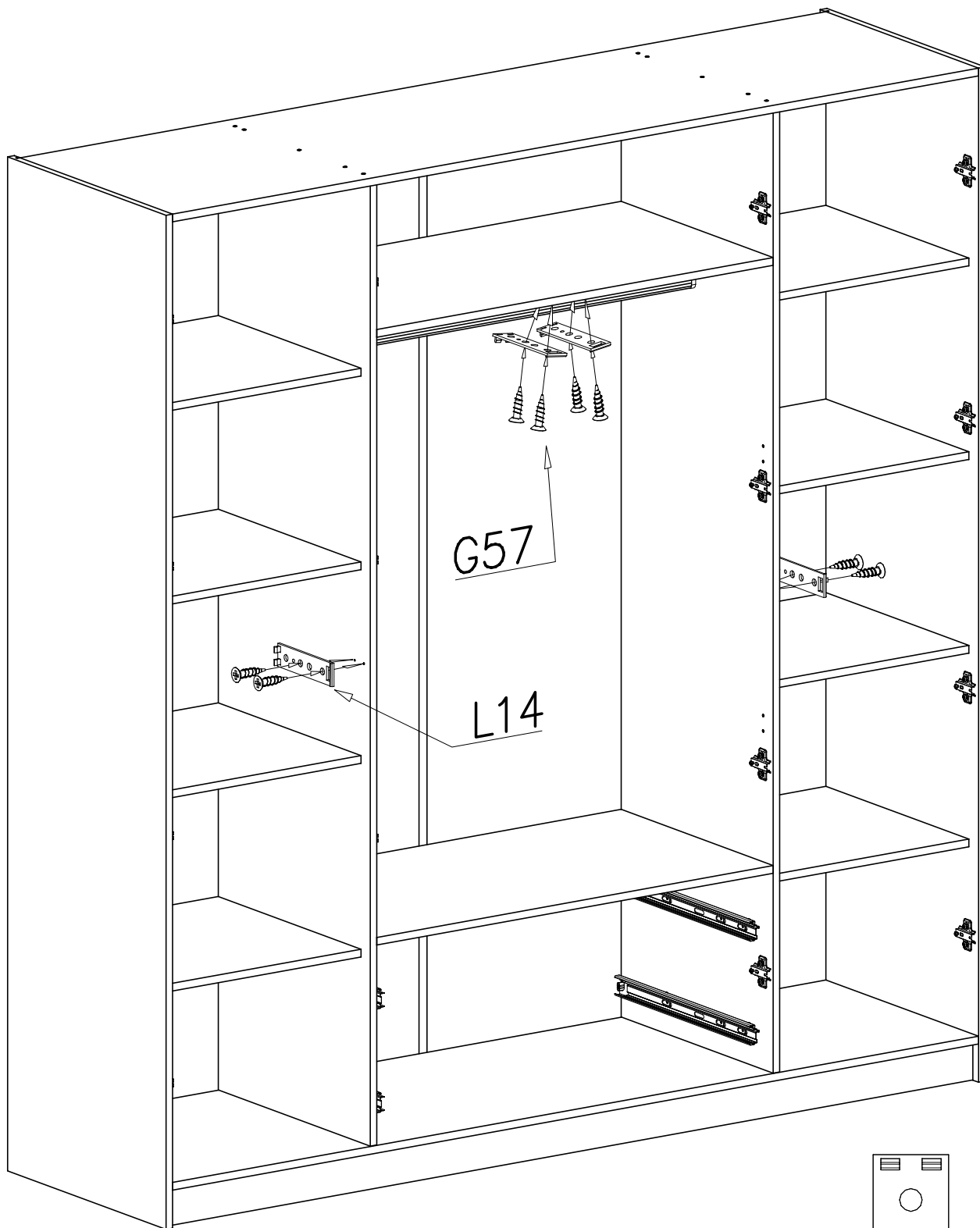
I



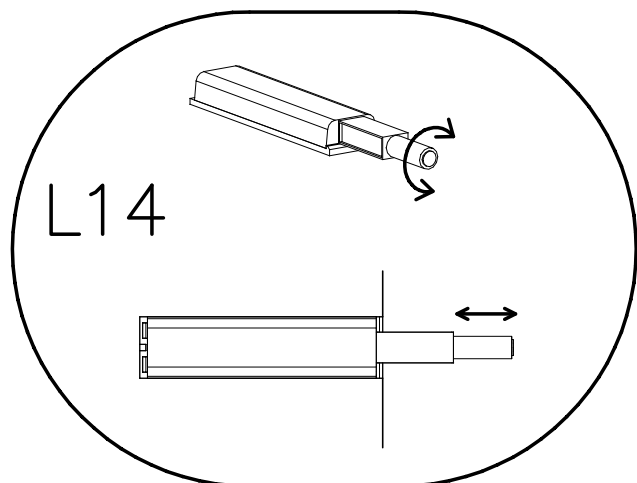
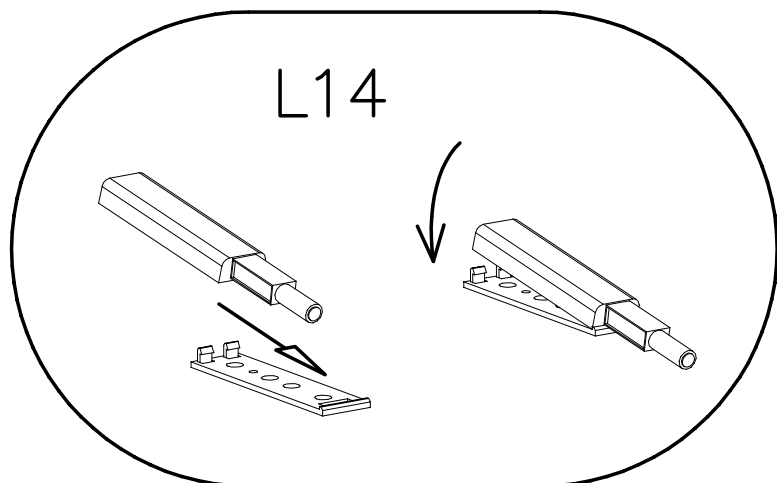
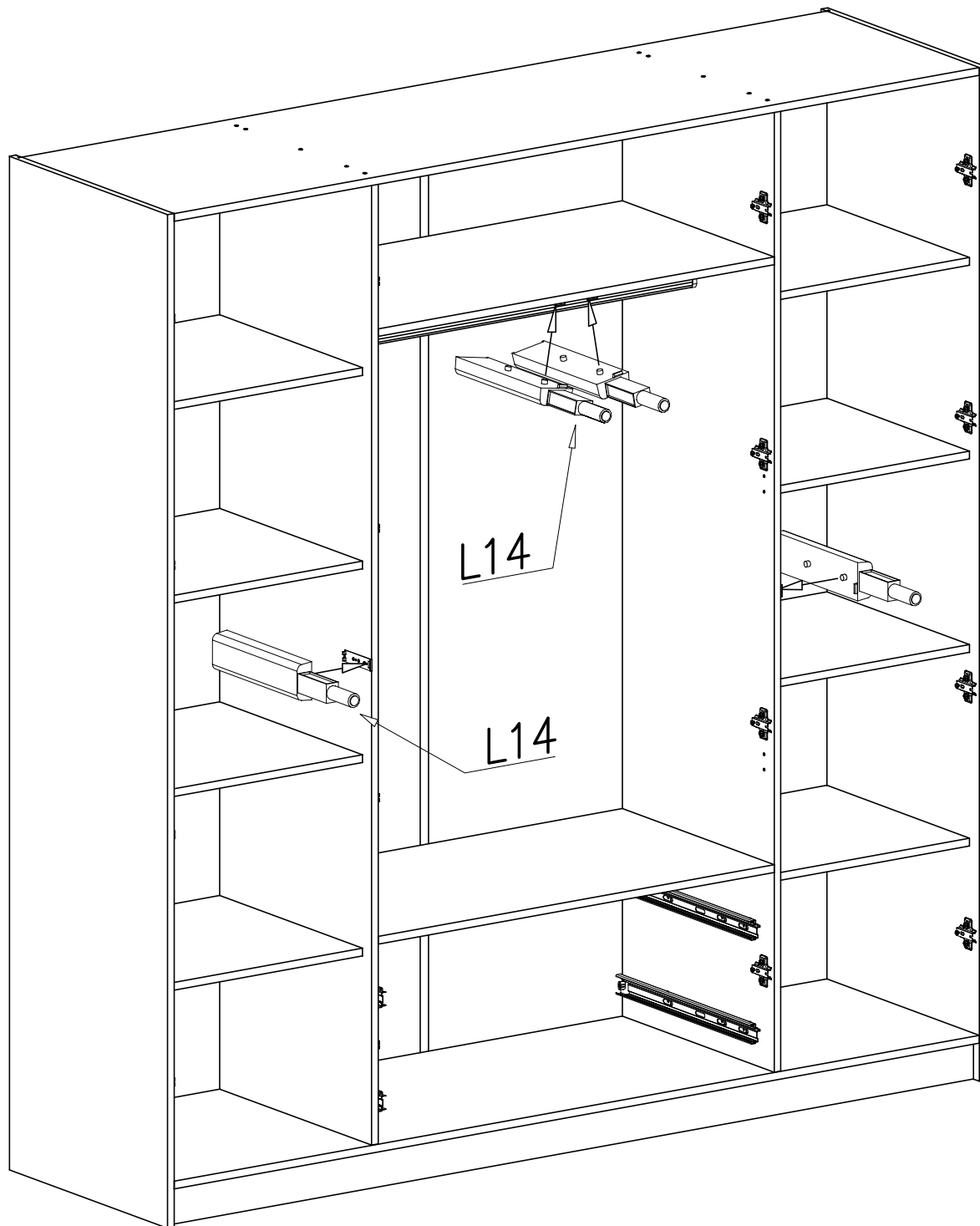
II



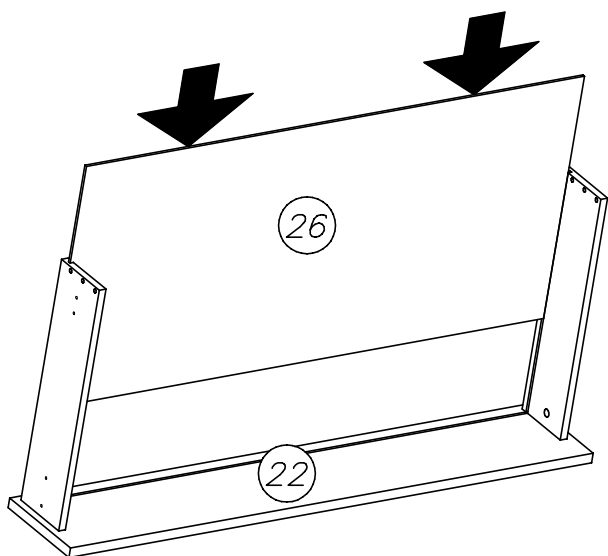
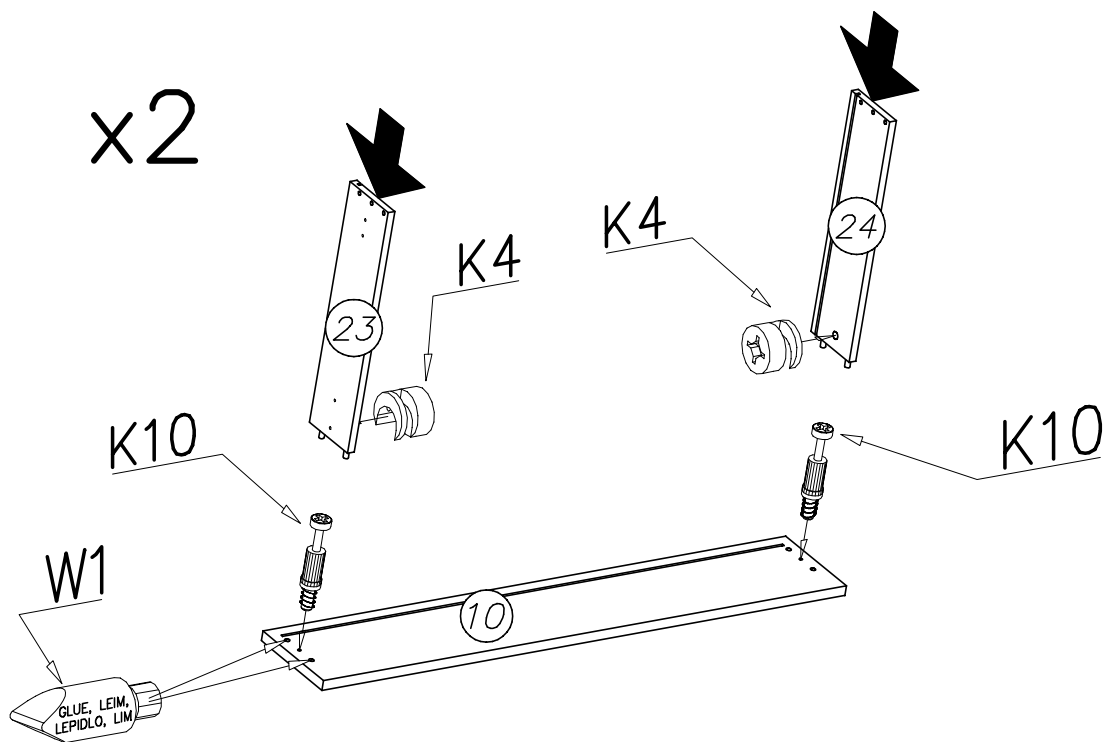
III



IV

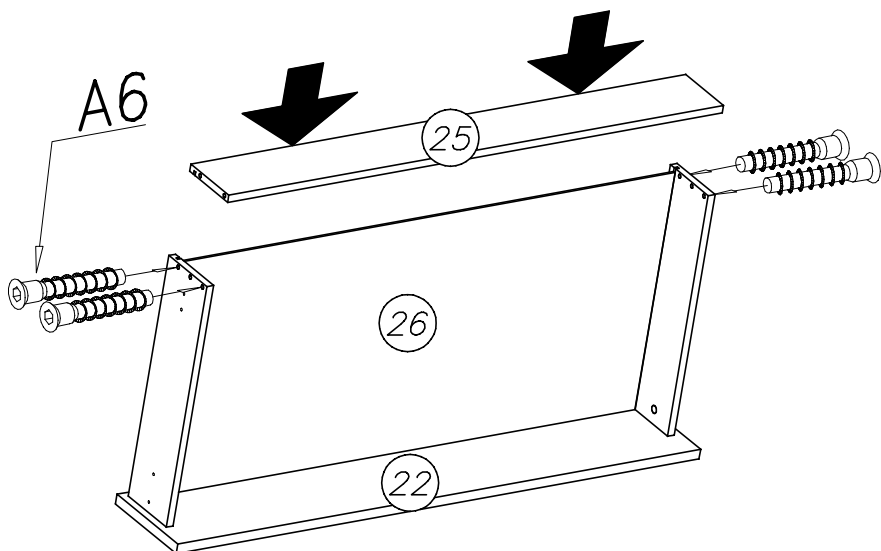


V

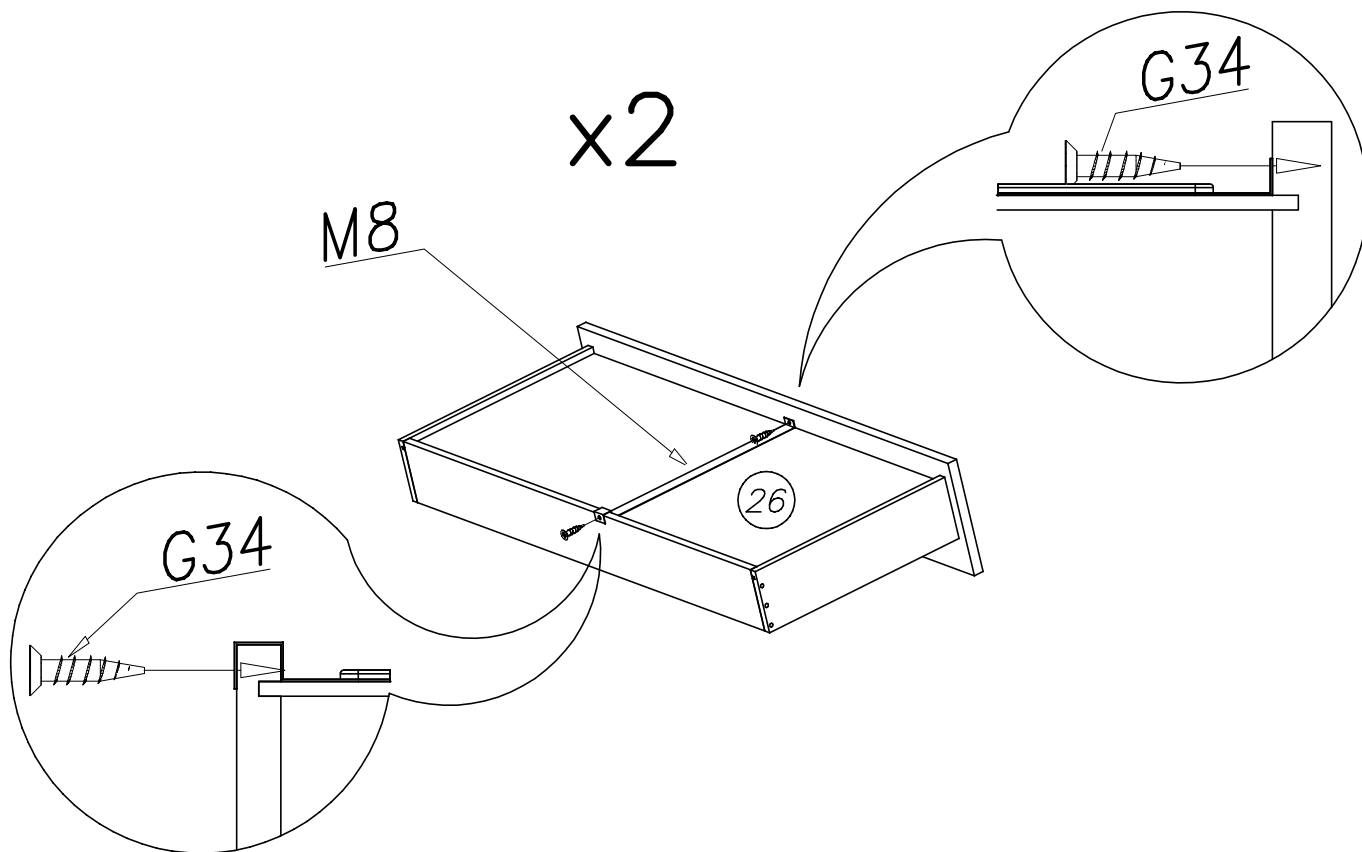


x2

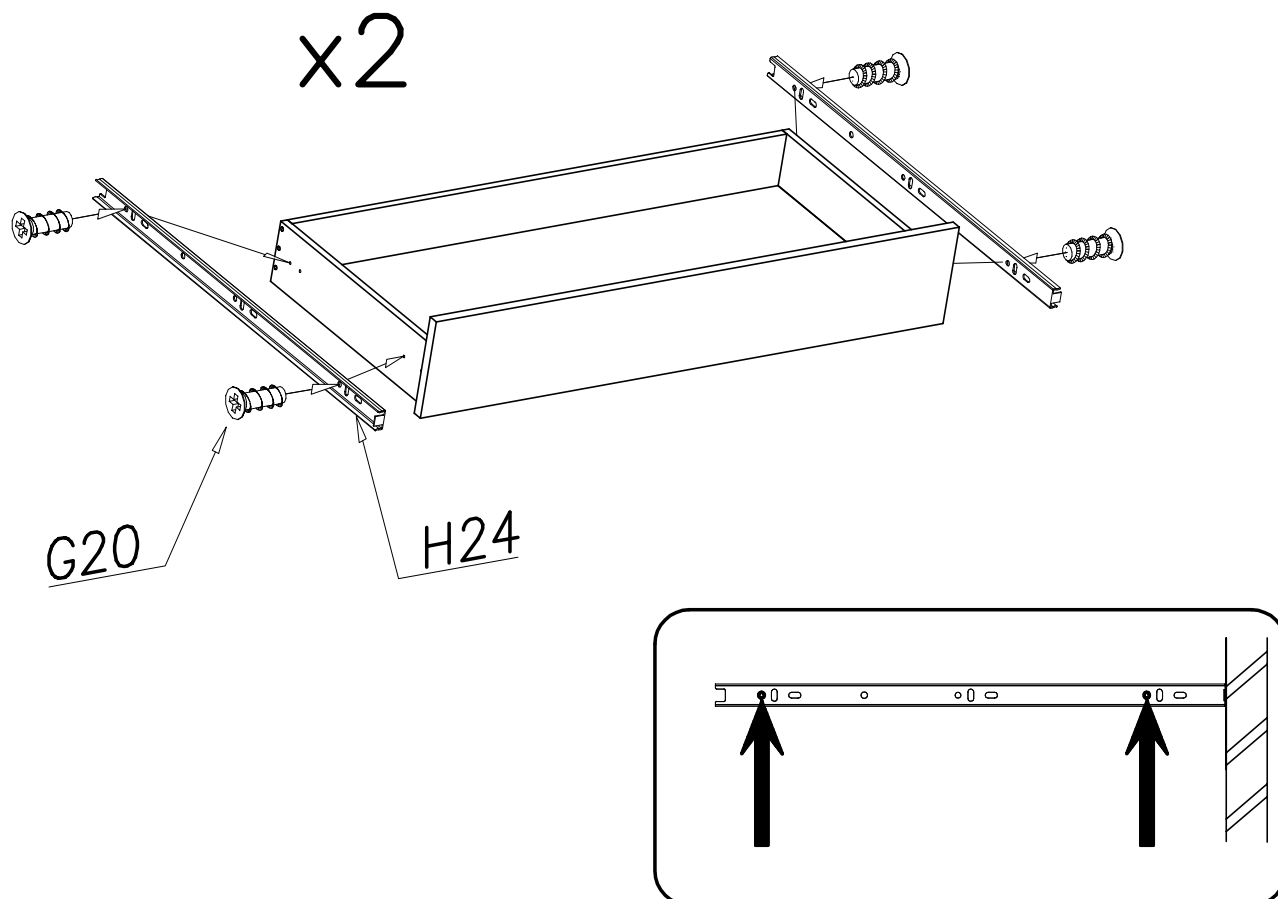
x2



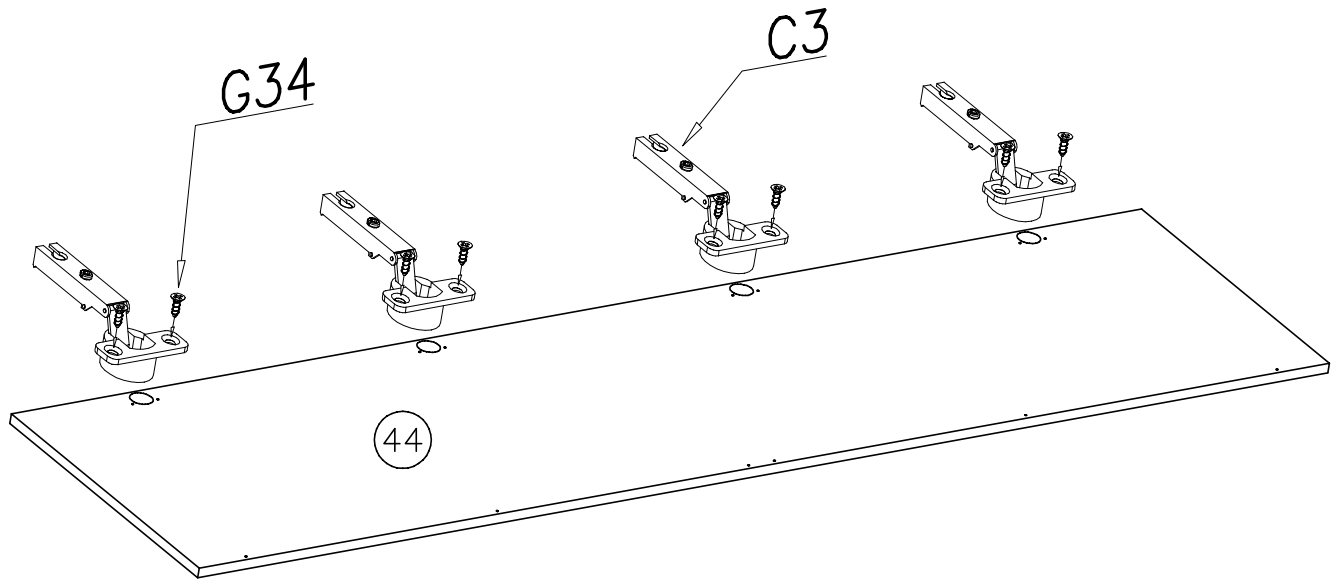
VI



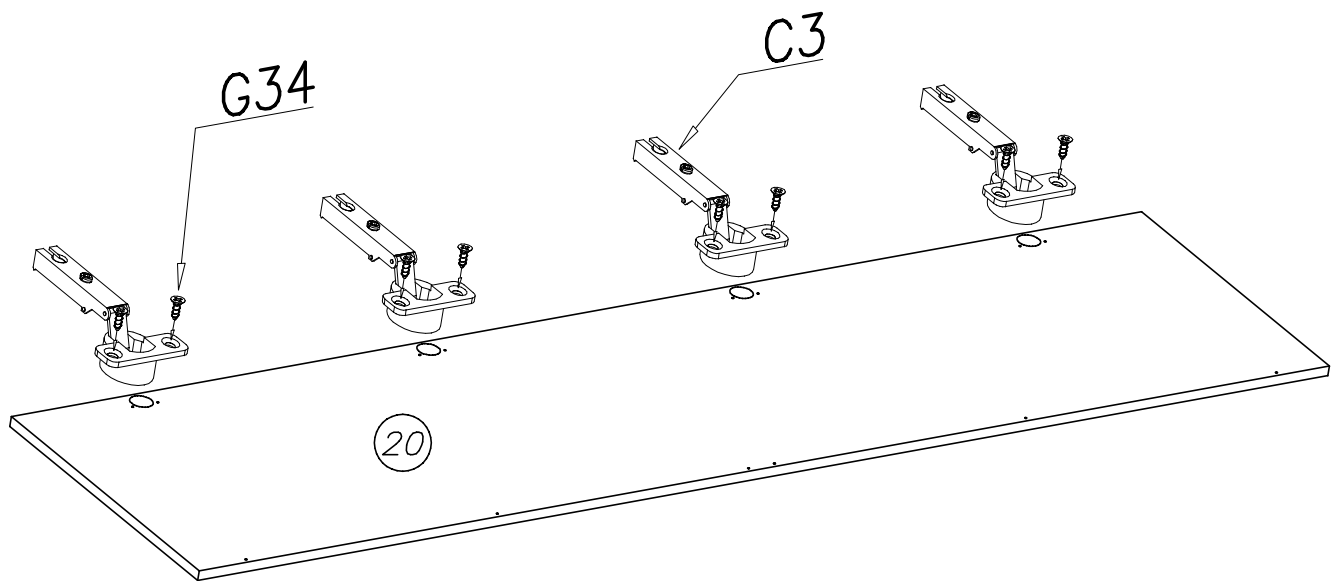
VII



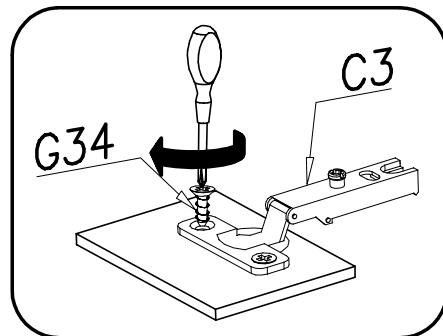
VIII



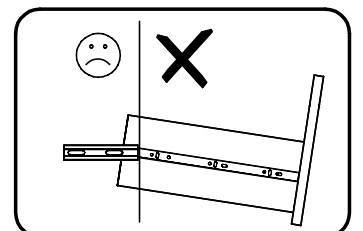
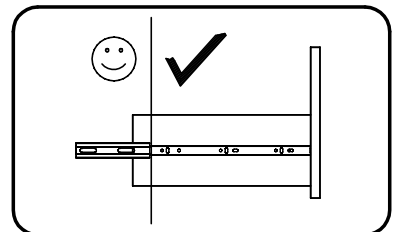
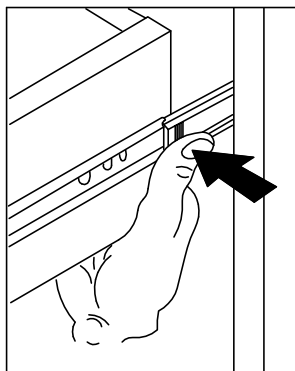
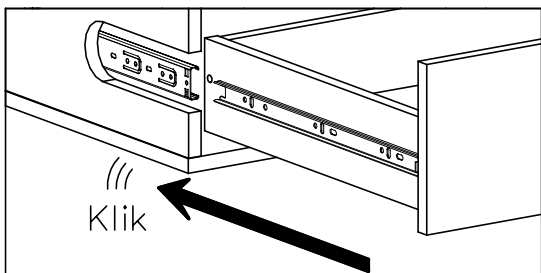
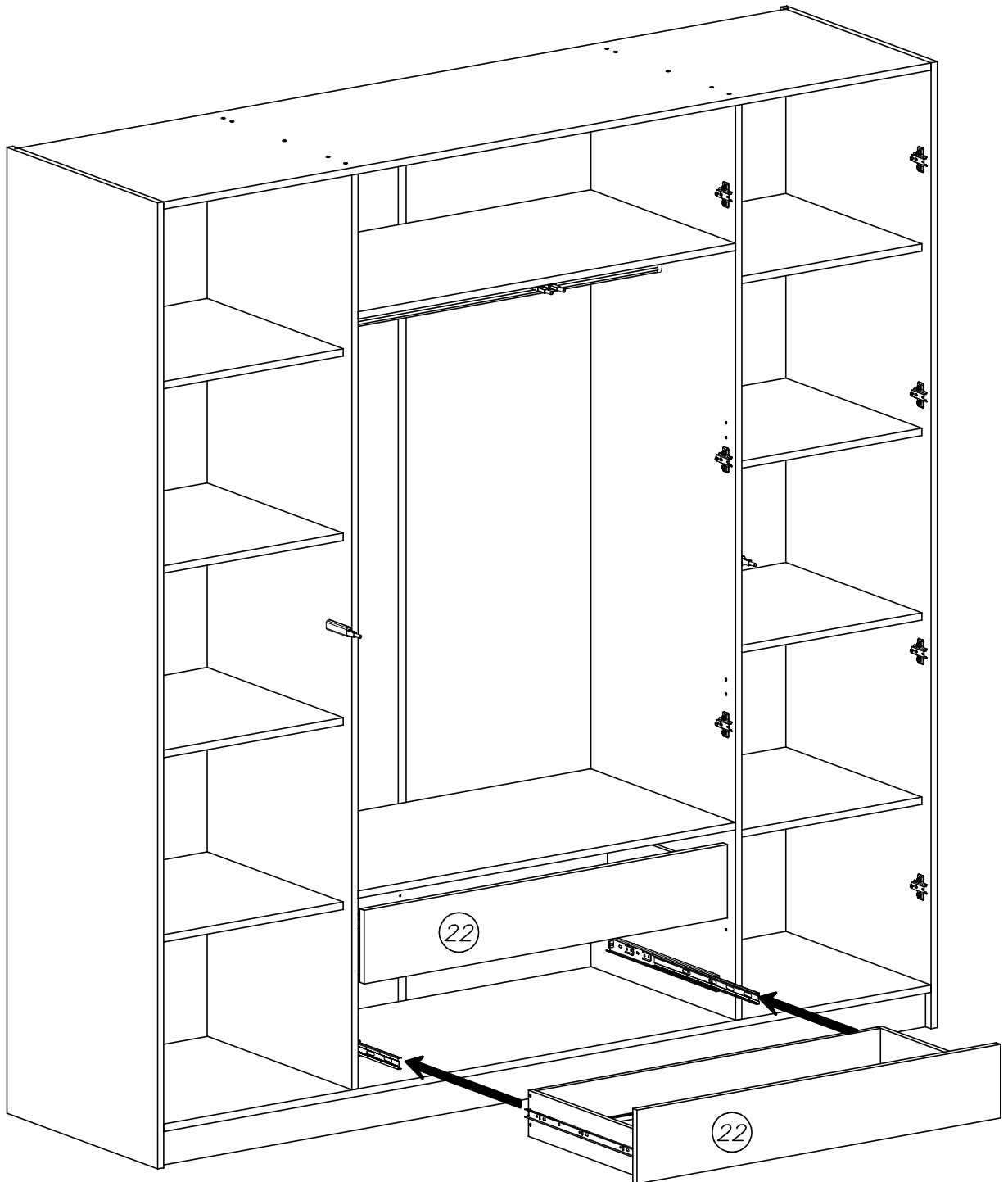
x2



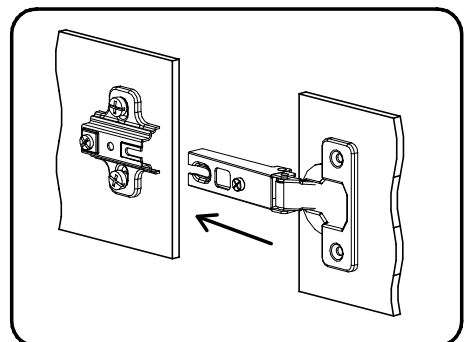
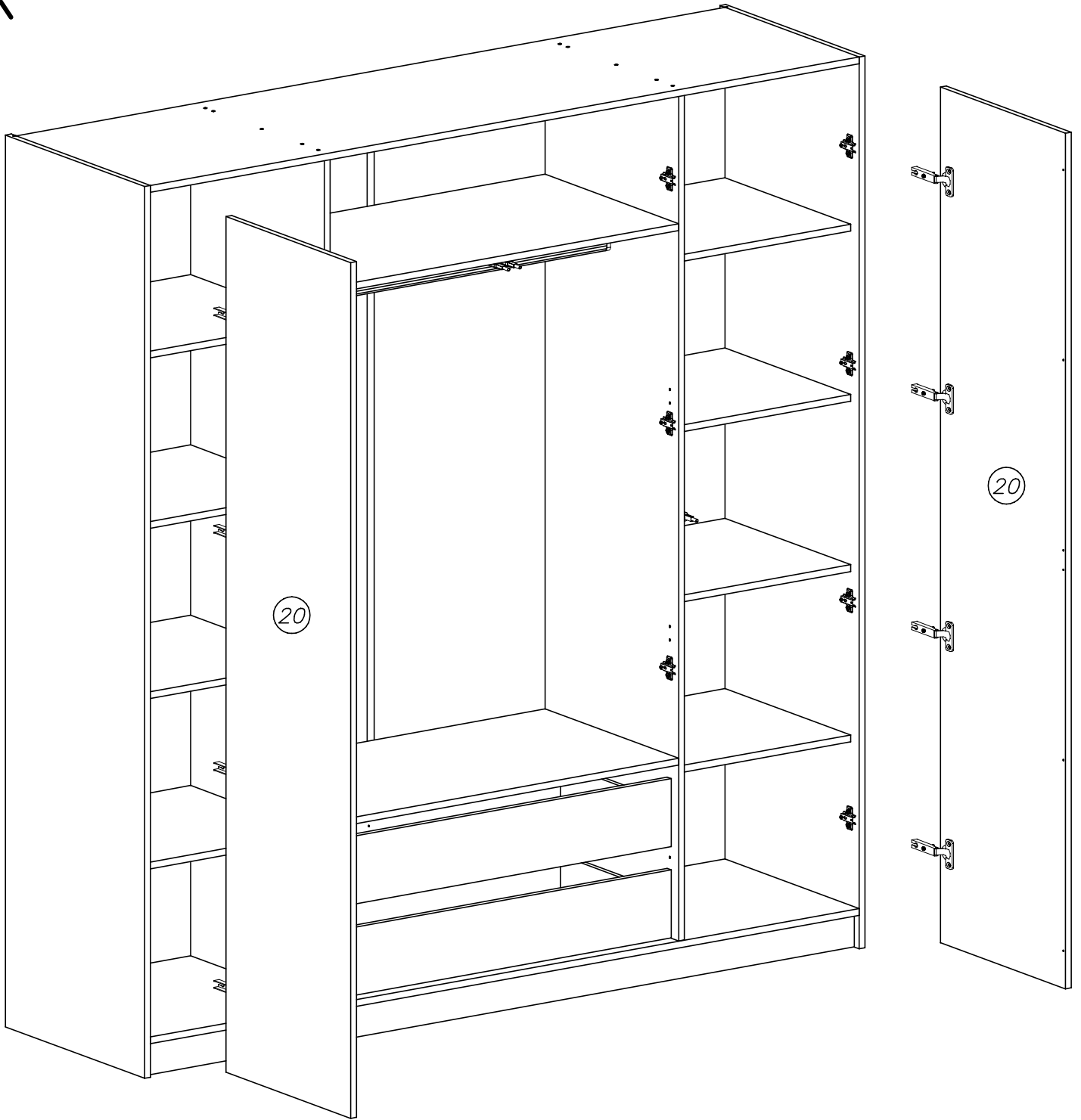
x2



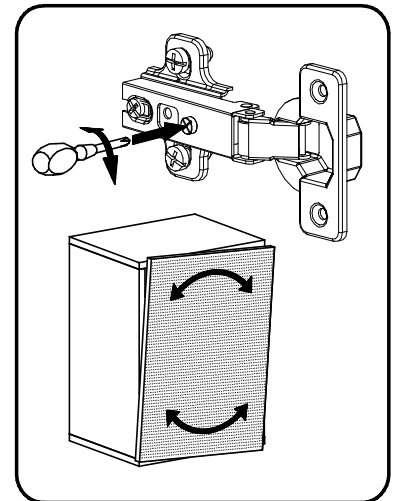
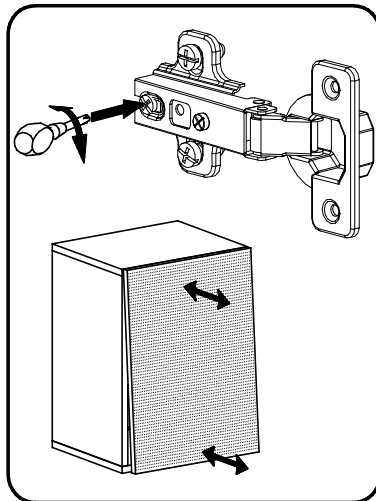
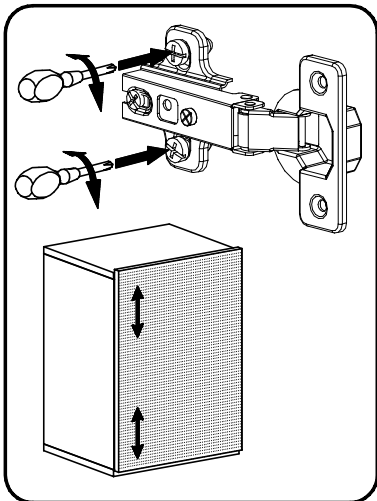
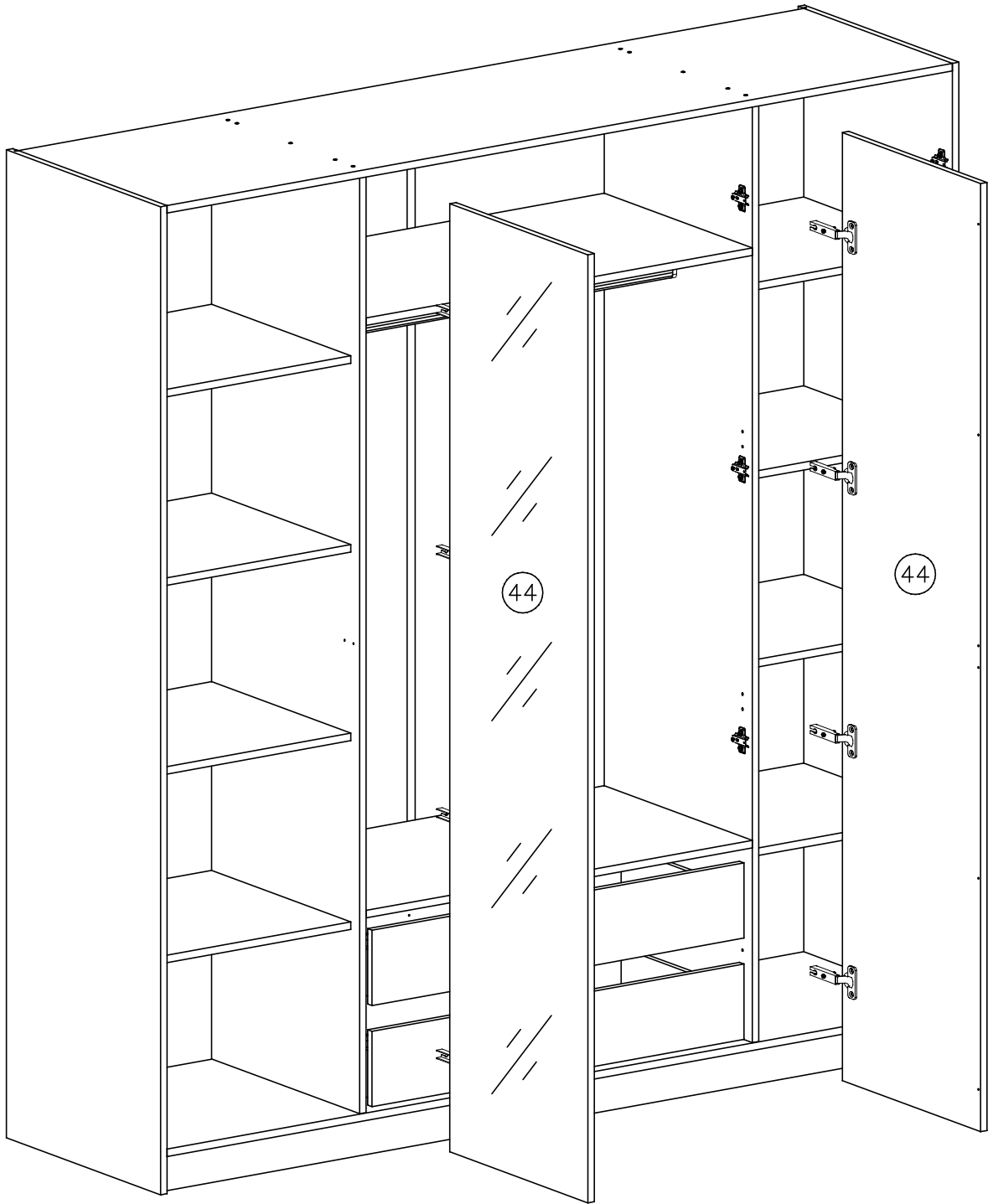
IX

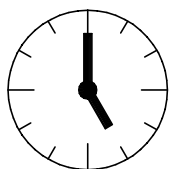
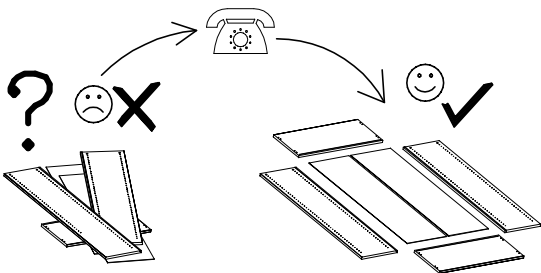
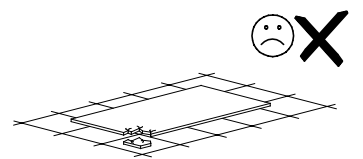
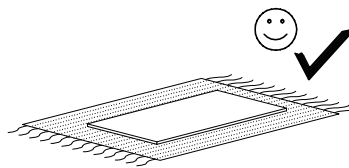
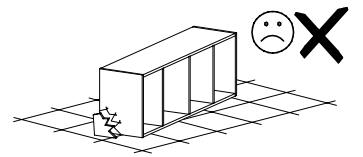
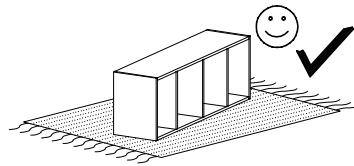
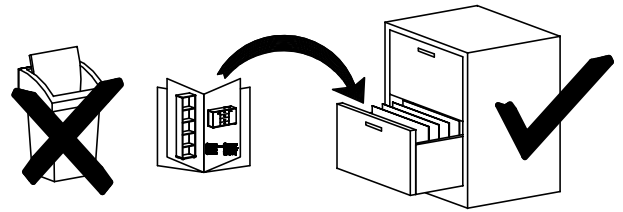
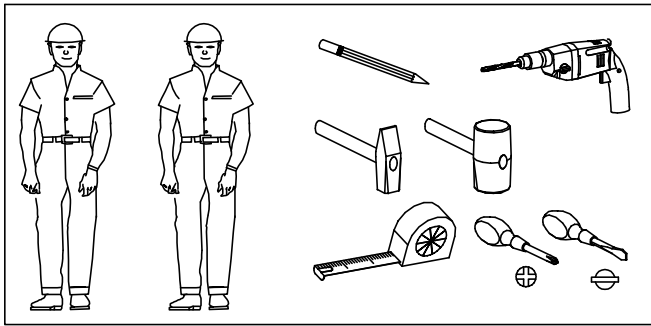
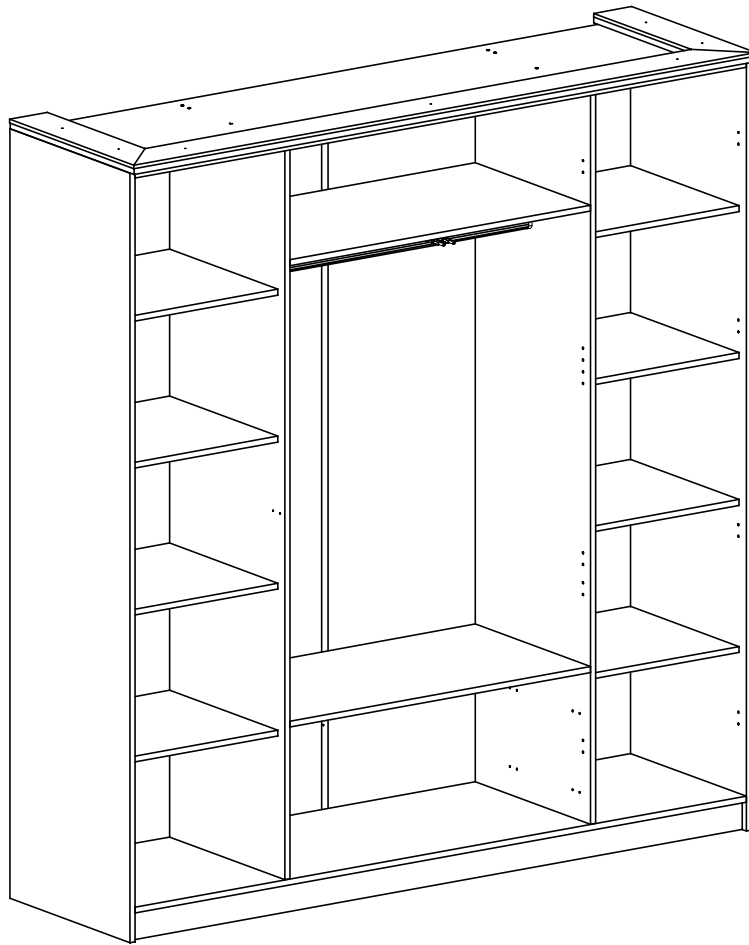


X

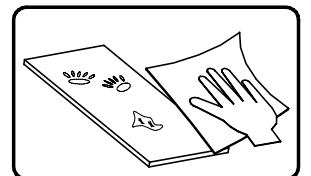
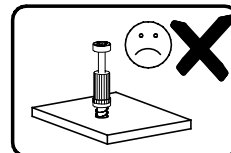
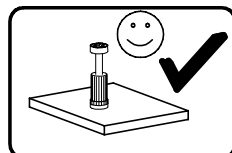


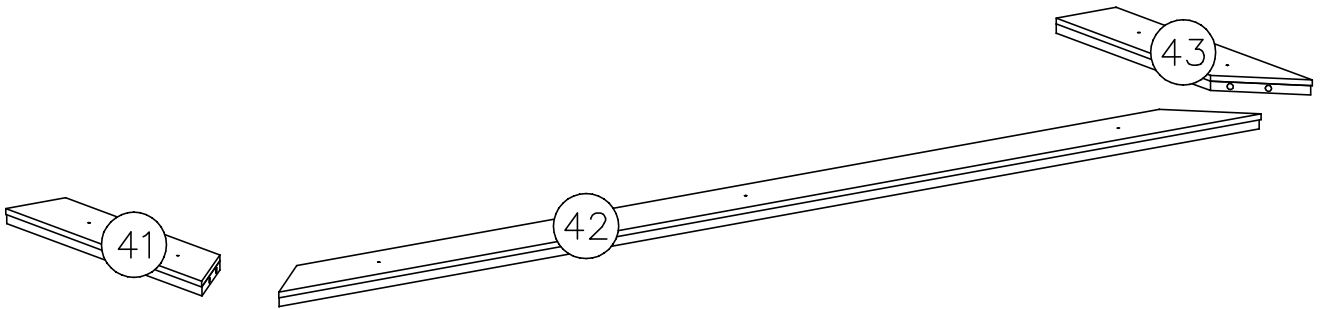
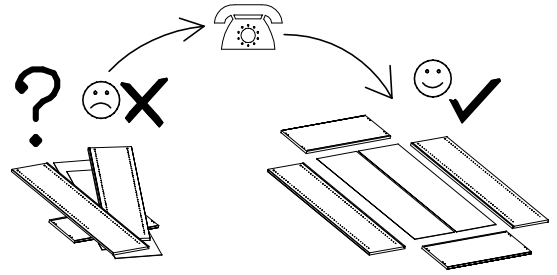
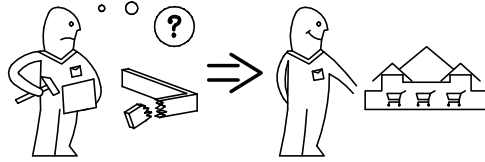
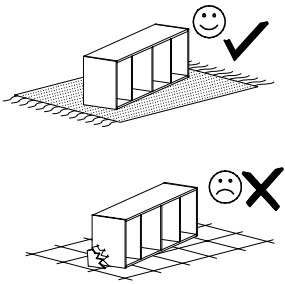
X



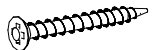




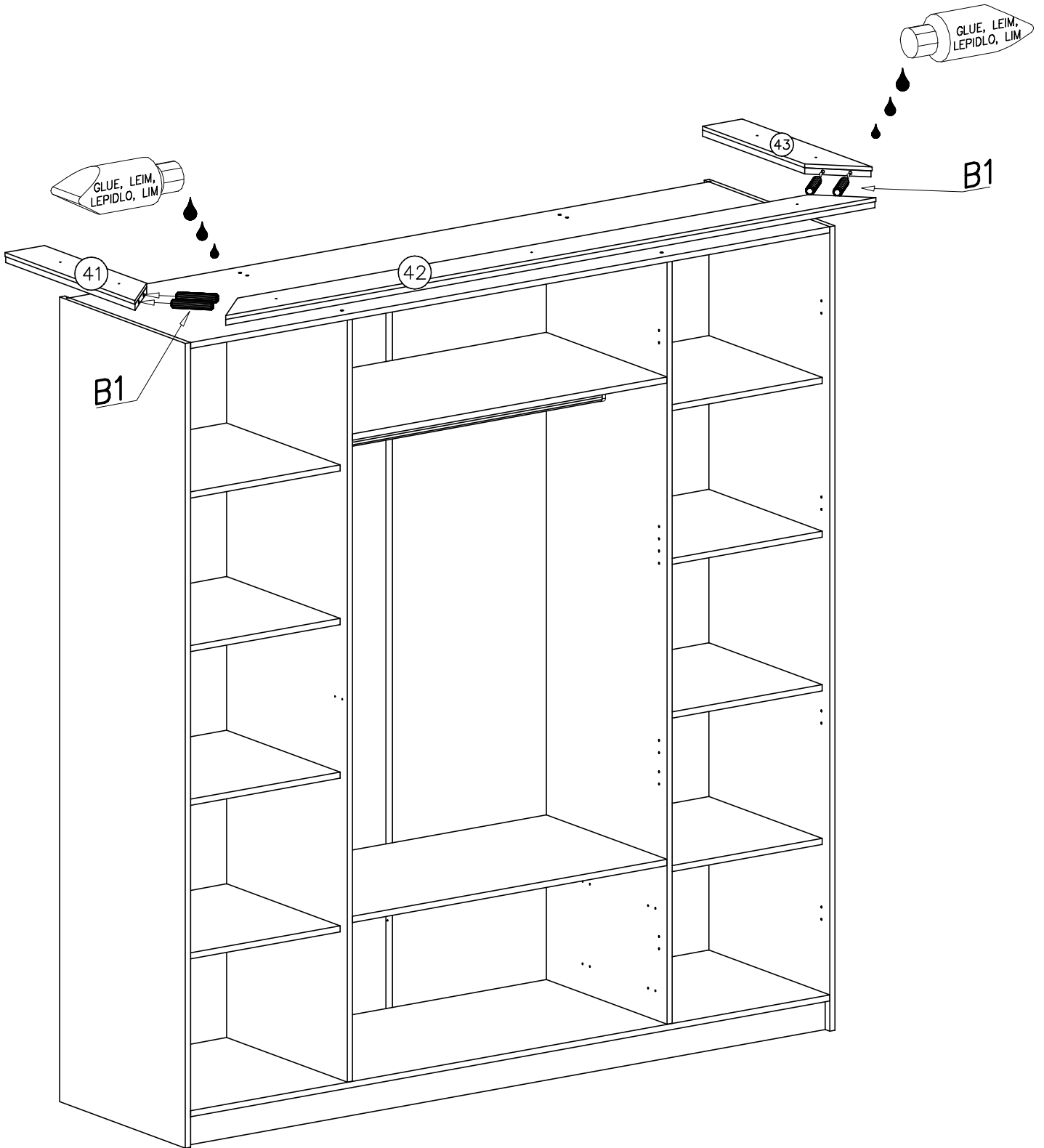
0,5h



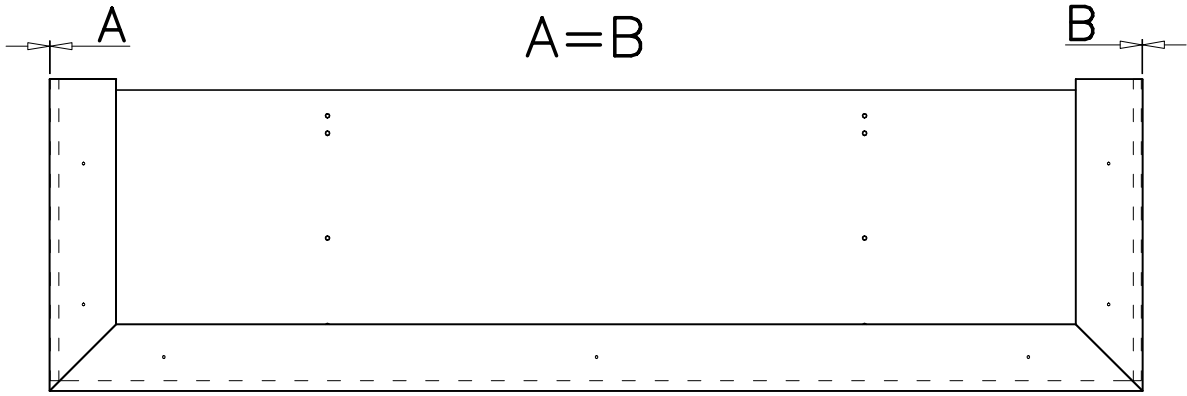


<p>W1</p>  <p>GLUE, LEIM, LEPIDLO, LIM</p> <p>x...(1)</p>	<p>B1</p>  <p>∅8x35 x...(4)</p>
	<p>G23</p>  <p>4x40 x...(7)</p>

I



II



G23

