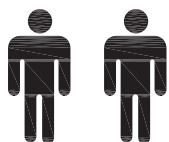
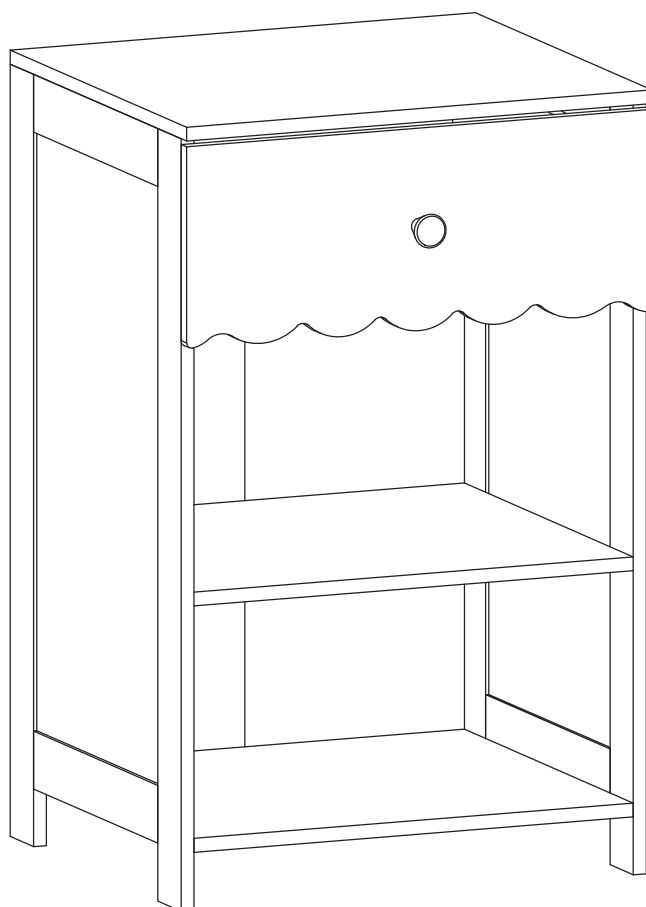
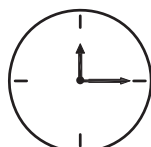


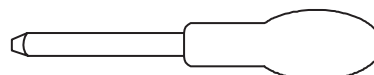
# ASSEMBLY INSTRUCTION



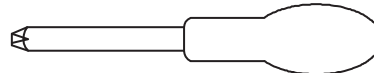
2 PERS.



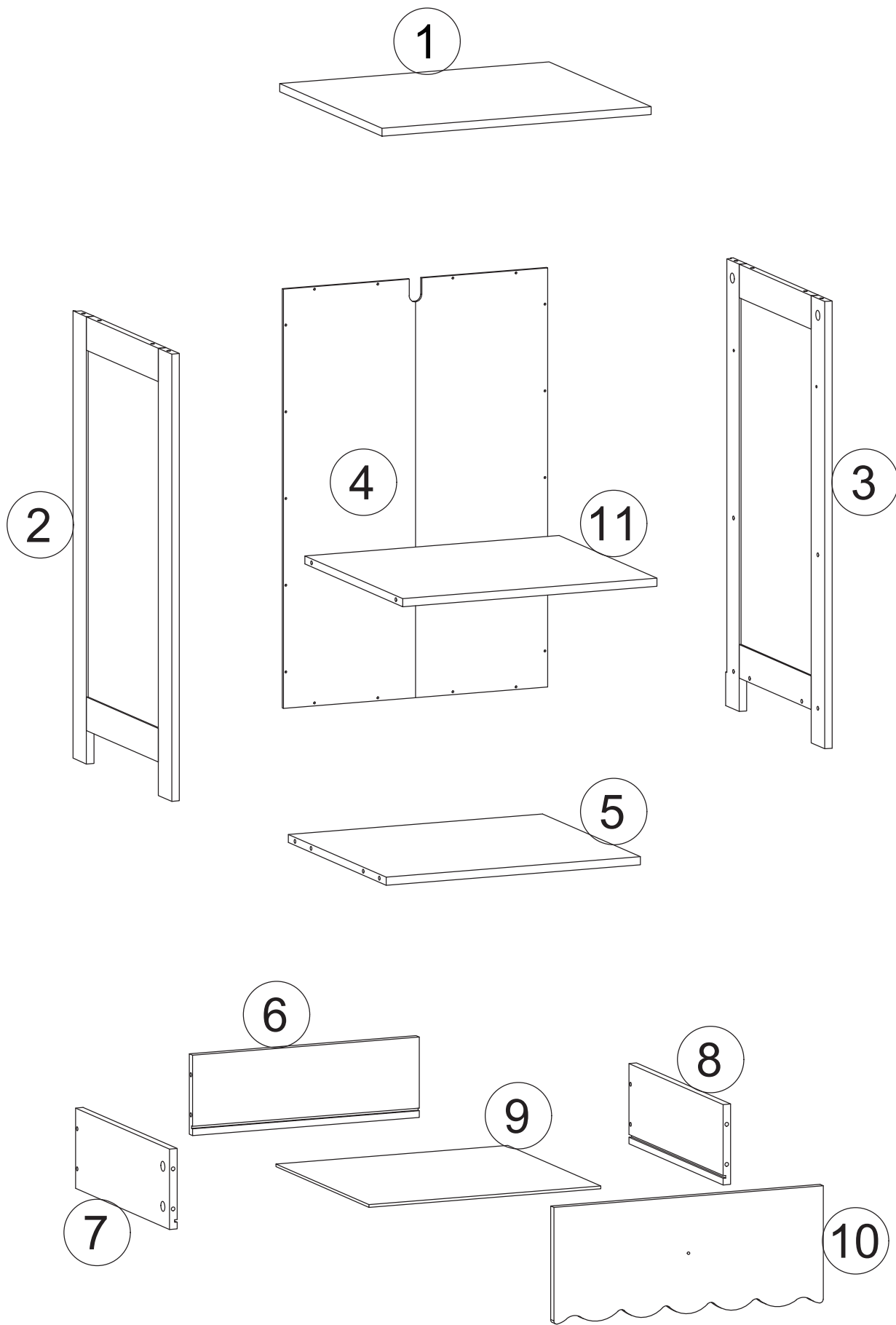
15 MIN



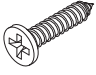
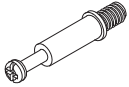
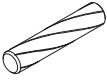

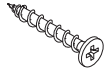
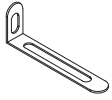



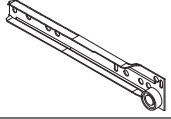
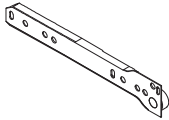
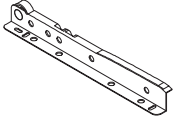
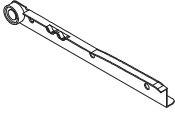
SLOTTED SCREWDRIVER(Not Provided)



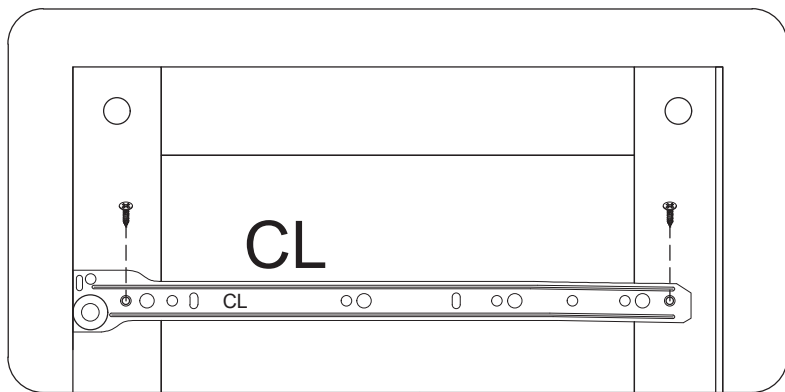
POZI SCREWDRIVER(Not Provided)



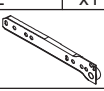


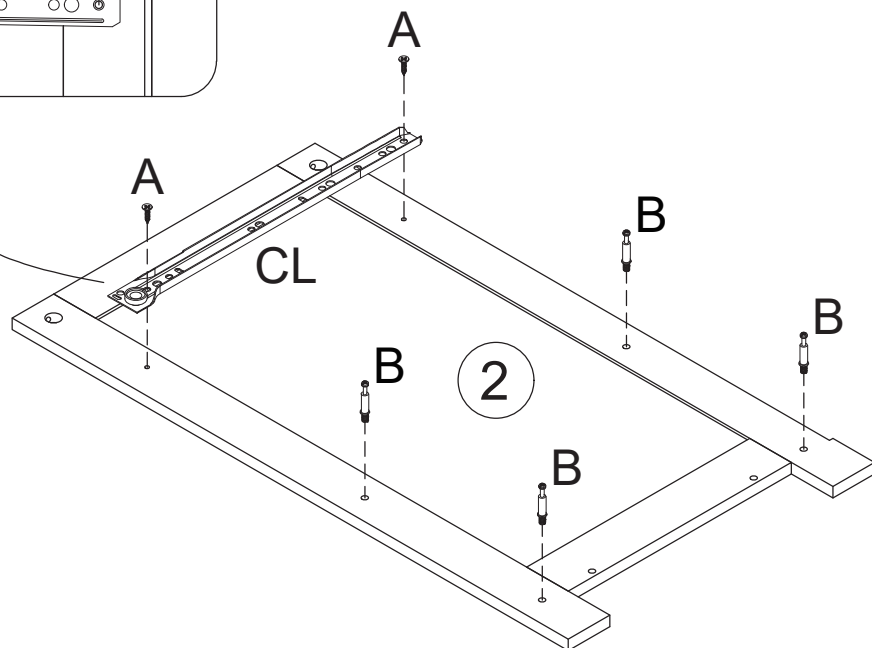
# Hardware

A	x10	B	x16	C	x8	D	x16	E	x4
									
3x12mm								4x35mm	
F	x1	G	x1	H	x18	I	x1	CR	x1
									
CL	x1	DR	x1	DL	x1				
									

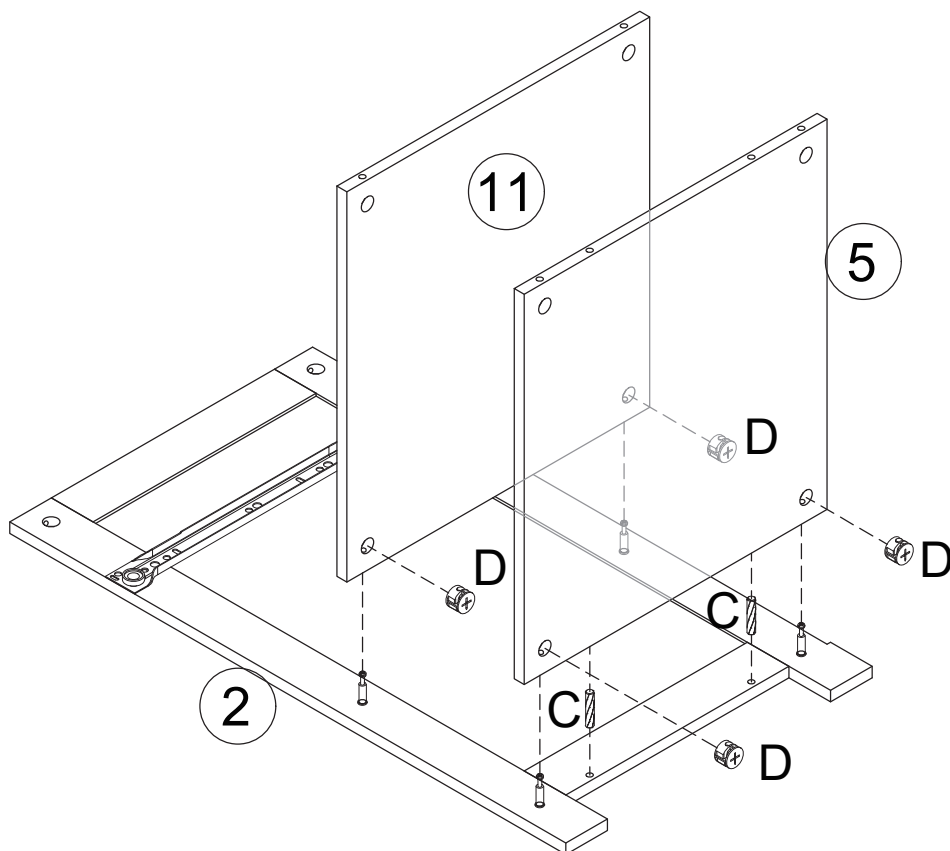
1





A	x2
	
3x12mm	
B	x4
	
CL	x1
	

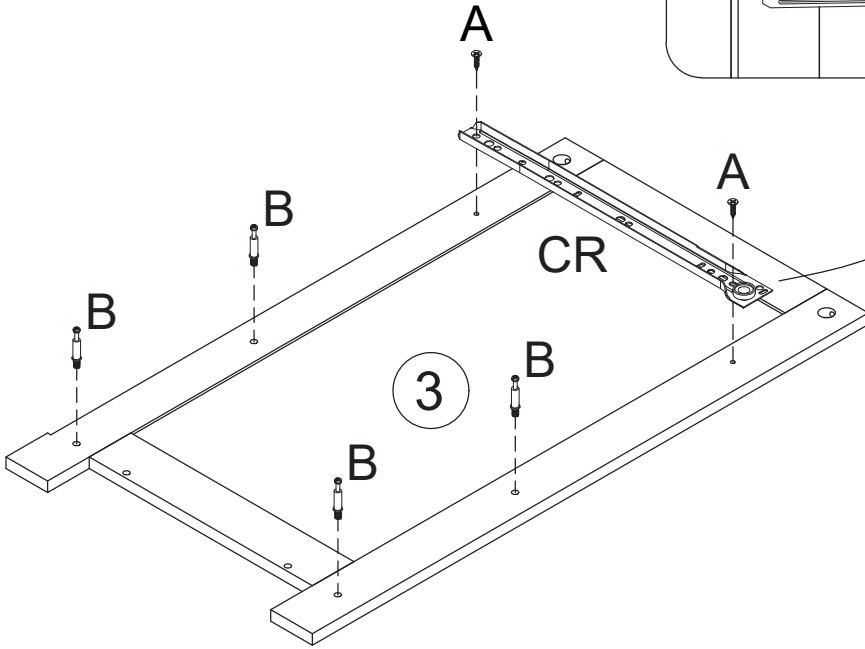
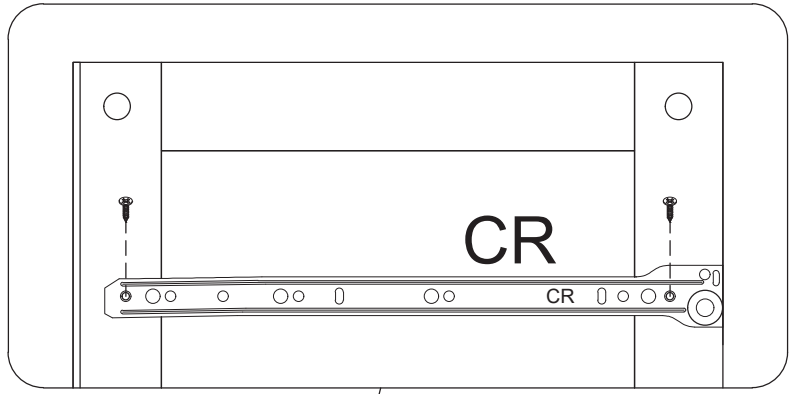




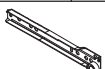
2



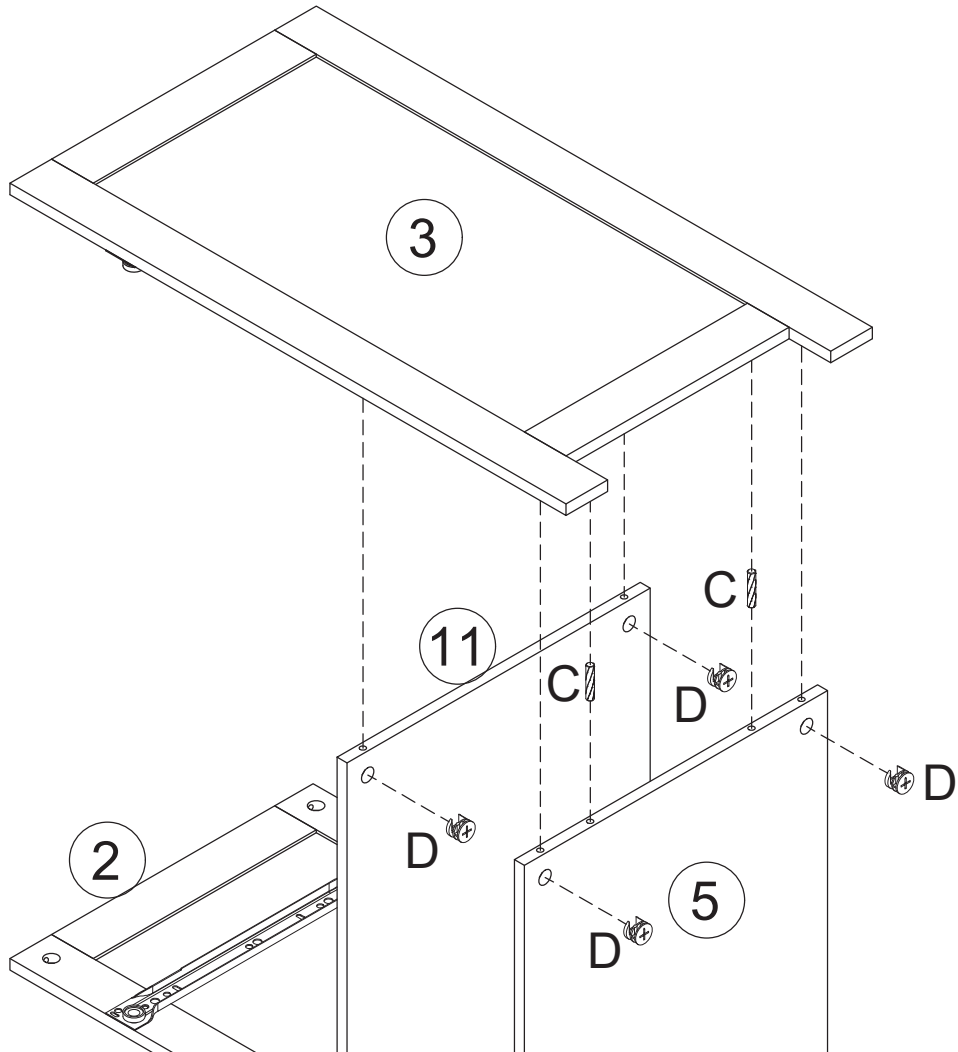
C	x2
	
D	x4
	



3



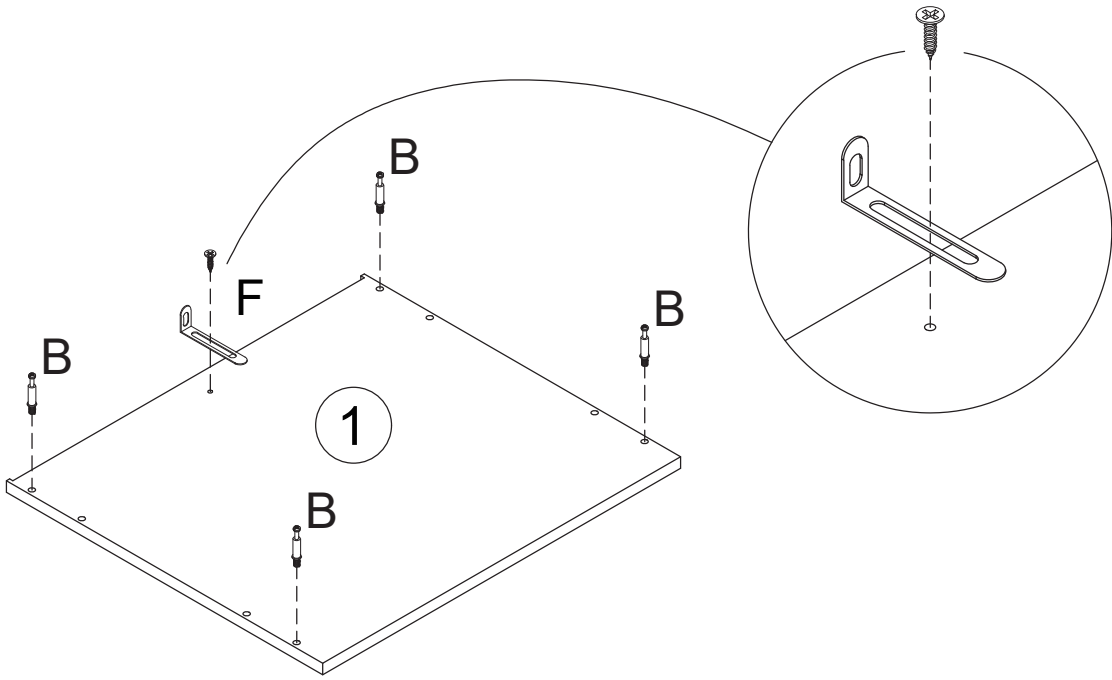
A	x2
	
3x12mm	
B	x4
	
CR	x1
	






4

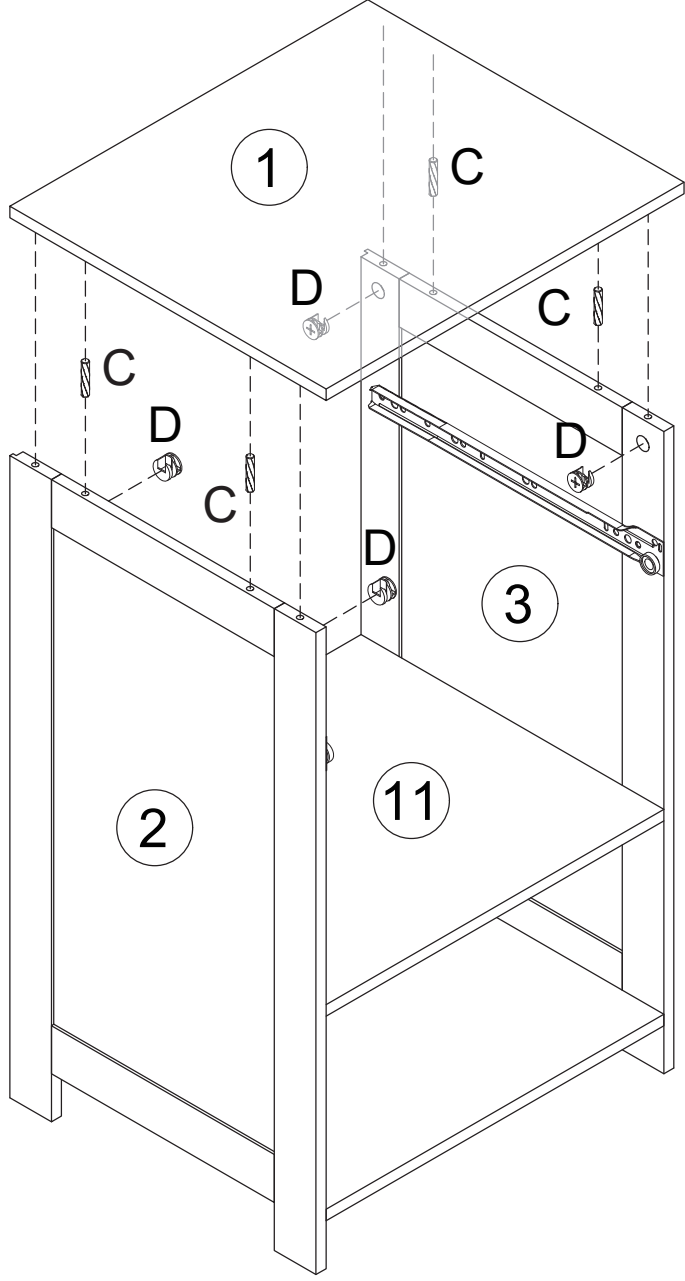


C	x2
	
D	x4
	

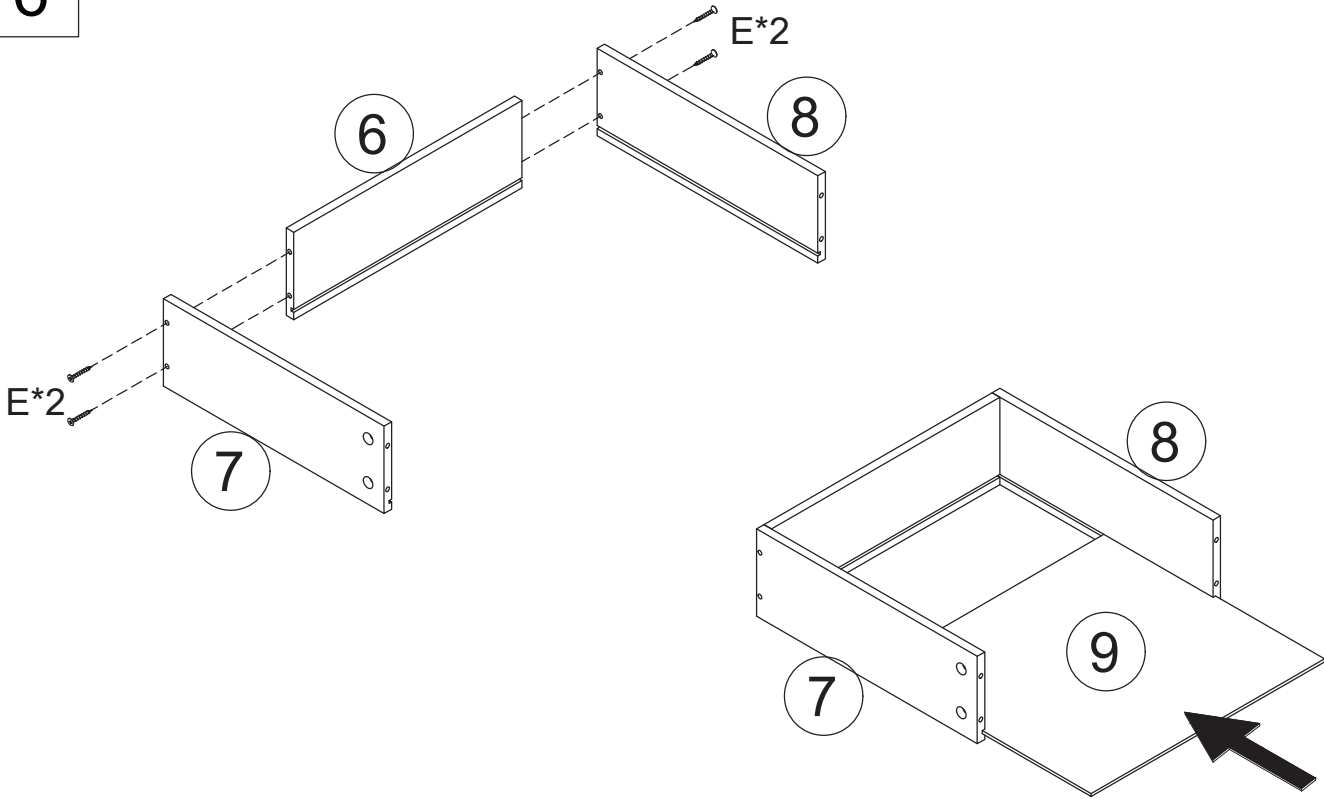
5




B	x4
	
C	x4
	
D	x4
	
F	x1
	

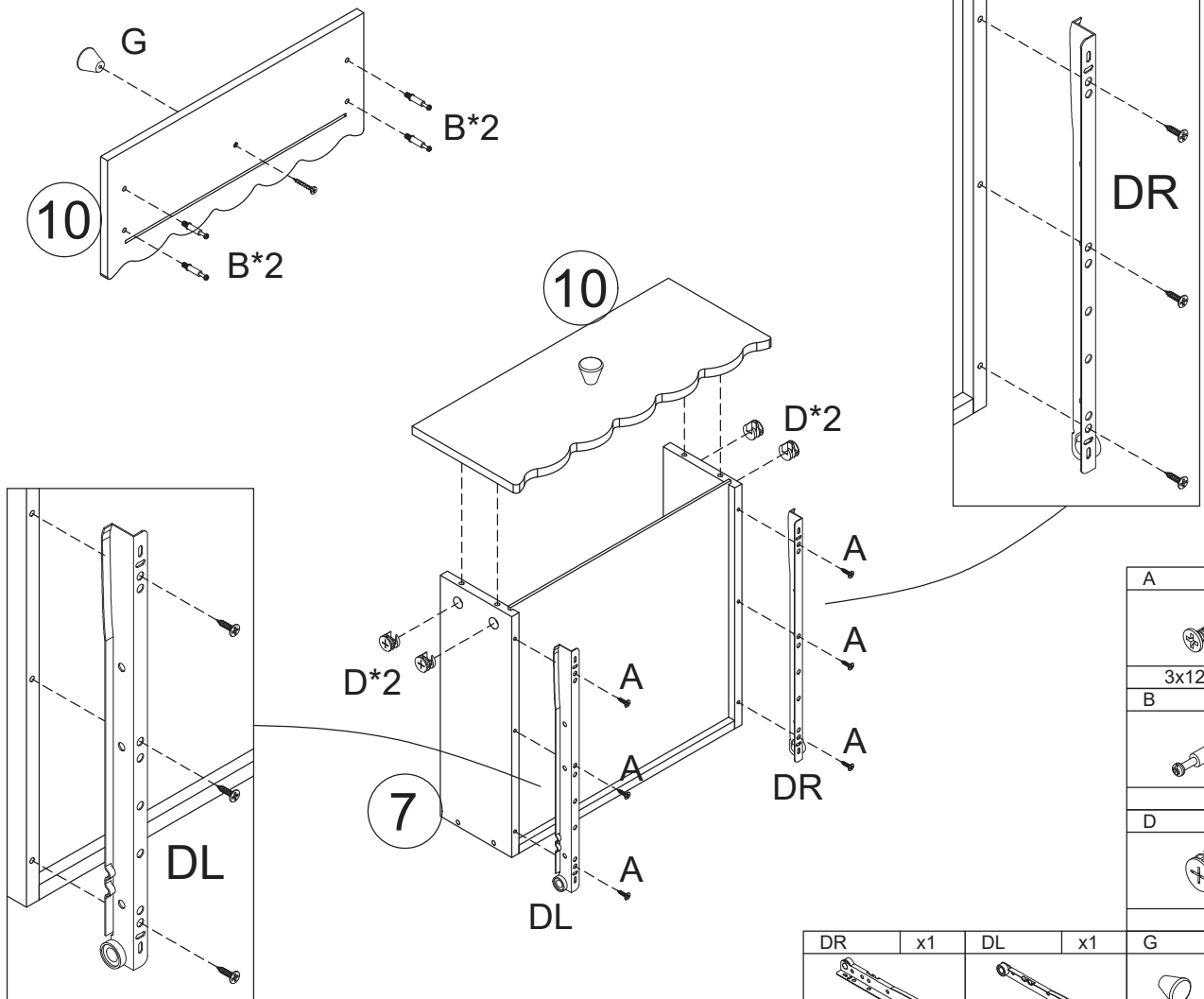





6

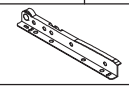
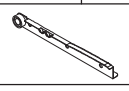



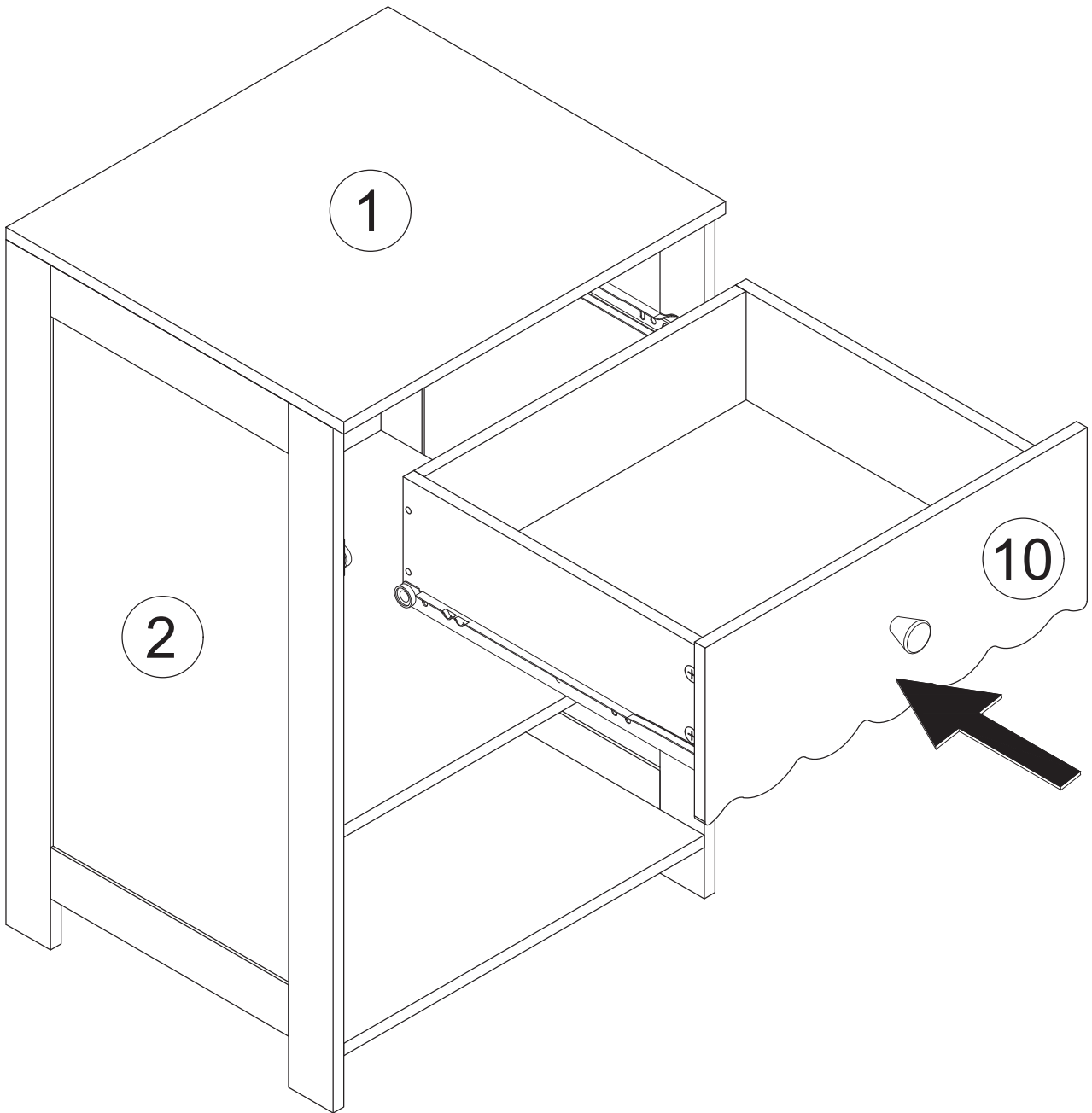
E	x4
	
4x35mm	

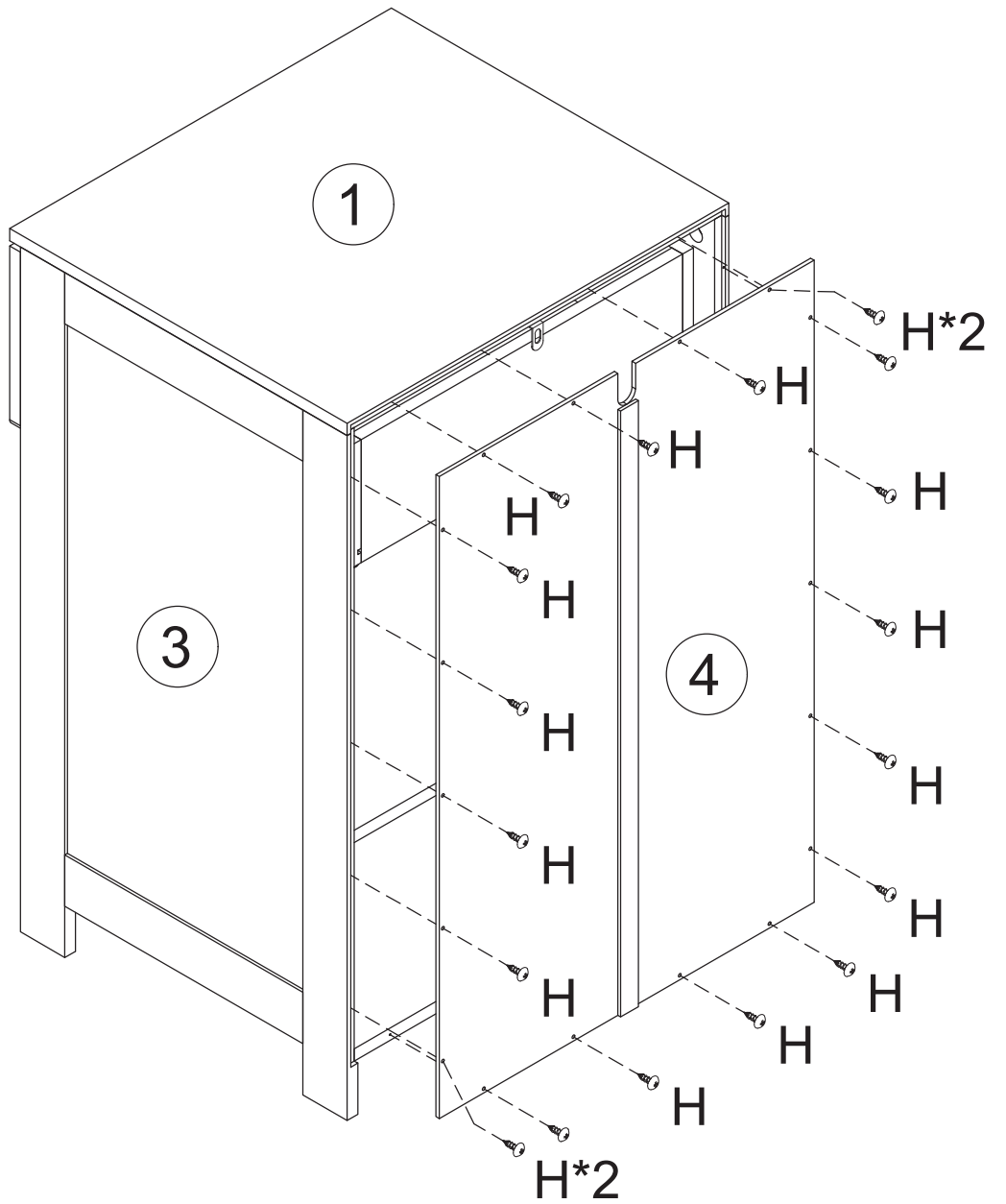
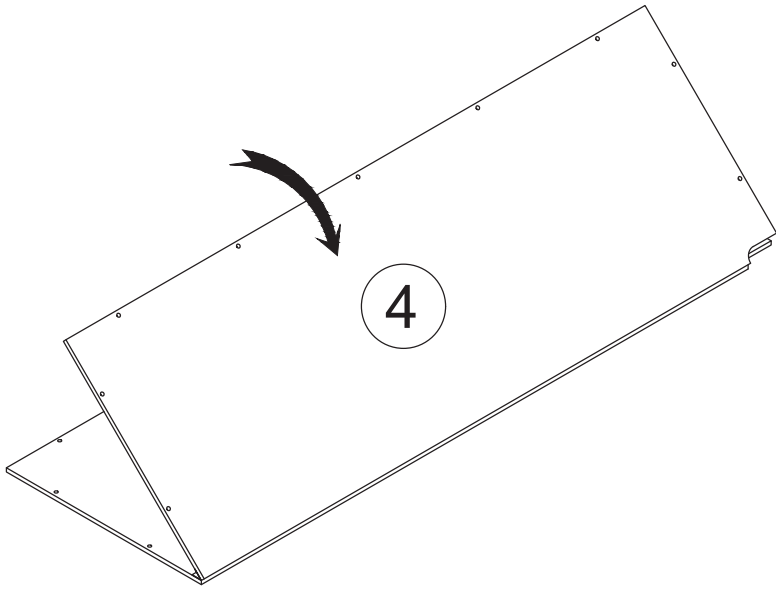
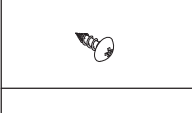
7



A	x6
	
3x12mm	
B	x4
	
D	x4
	

DR	x1	DL	x1	G	x1
					





10

I	x1
