



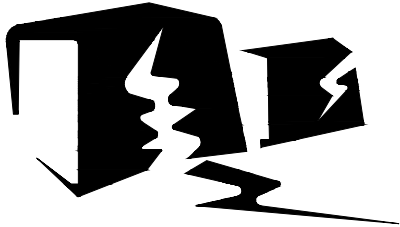
2 ADULTS ASSEMBLY REQUIRED
Se necesitan dos adultos para ensamblar

**THIS INSTRUCTION BOOKLET CONTAINS IMPORTANT SAFETY INFORMATION.
PLEASE READ AND KEEP FOR FUTURE REFERENCE.**

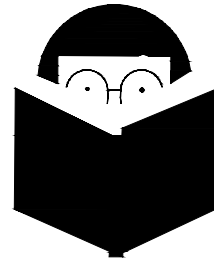
Date 2025-07-31 Rev. 0001-A



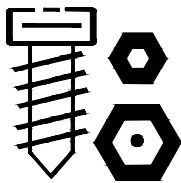
If you have any questions below, please feel free to contact us. We will respond within 24 hours.



ANY DAMAGE



READ INSTRUCTIONS
CAREFULLY



MISS SOME PARTS



OTHER QUESTIONS

GENERAL INFORMATION, TIPS AND TRICKS

1. Please read the Assembly Instructions prior to assembling this product.
2. Remove all hardware from the box and sort by size.
3. Check to see that all hardware and parts are present BEFORE assembling.
4. Ask a friend to assist you with the assembly of this furniture.
5. To avoid damage, assemble the product on a sturdy, level and protective surface.
6. Please wait until all steps are completed before fully tightening bolts.
7. Make sure all screws and bolts are tightly fastened before the unit is used.
8. CAUTION If you use an electric screwdriver to tighten screws, be careful to slow.
9. stop when the screws are tightened. Failure to do so may result in stripping of the screws.
10. If the installation kit is equipped with anti-tip device, It is recommended to secure the cabinet to the wall with screws after installation to prevent it from falling down.

SAFETY INFORMATION

The accessory bag contains some small accessories , which should be kept away from children.

Kids are not allowed to climb or playwith the product for safety reasons.

NECESSARY TOOLS – YOU WILL NEED THESE TOOLS FOR ASSEMBLY

1.RUBBER MALLET

2.PHILLIPS HEAD SCREW DRIVER

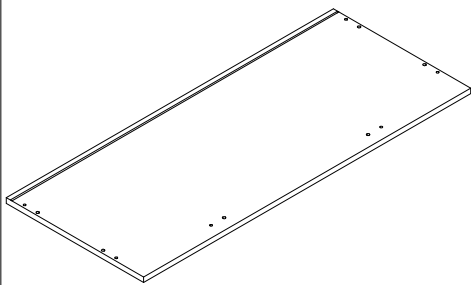
3.FLAT HEAD SCREW DRIVER



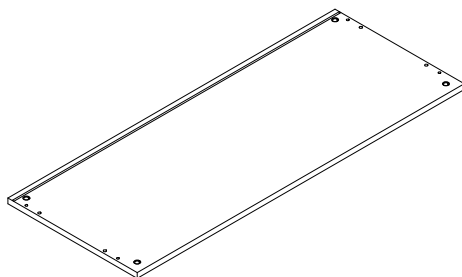
NOW YOU ARE READY TO BEGIN ACTUAL ASSEMBLY!

BOARD IDENTIFICATION

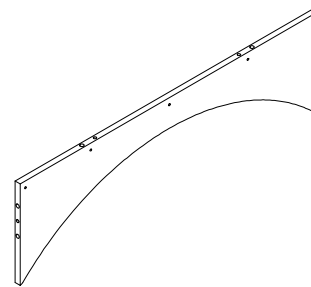
① x 1



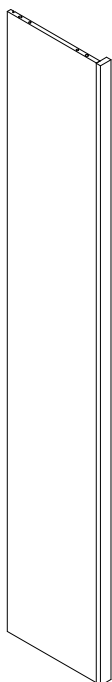
② x 1



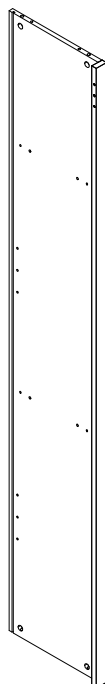
③ x 1



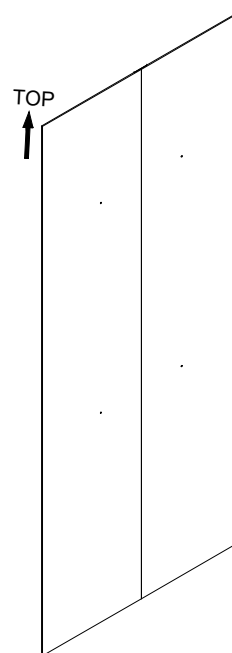
④ x 1



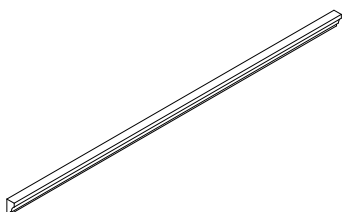
⑤ x 1



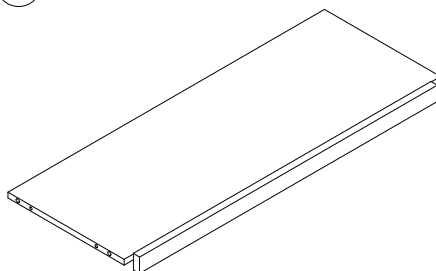
⑥ x 1



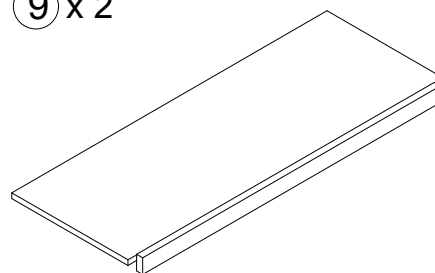
⑦ x 1



⑧ x 2



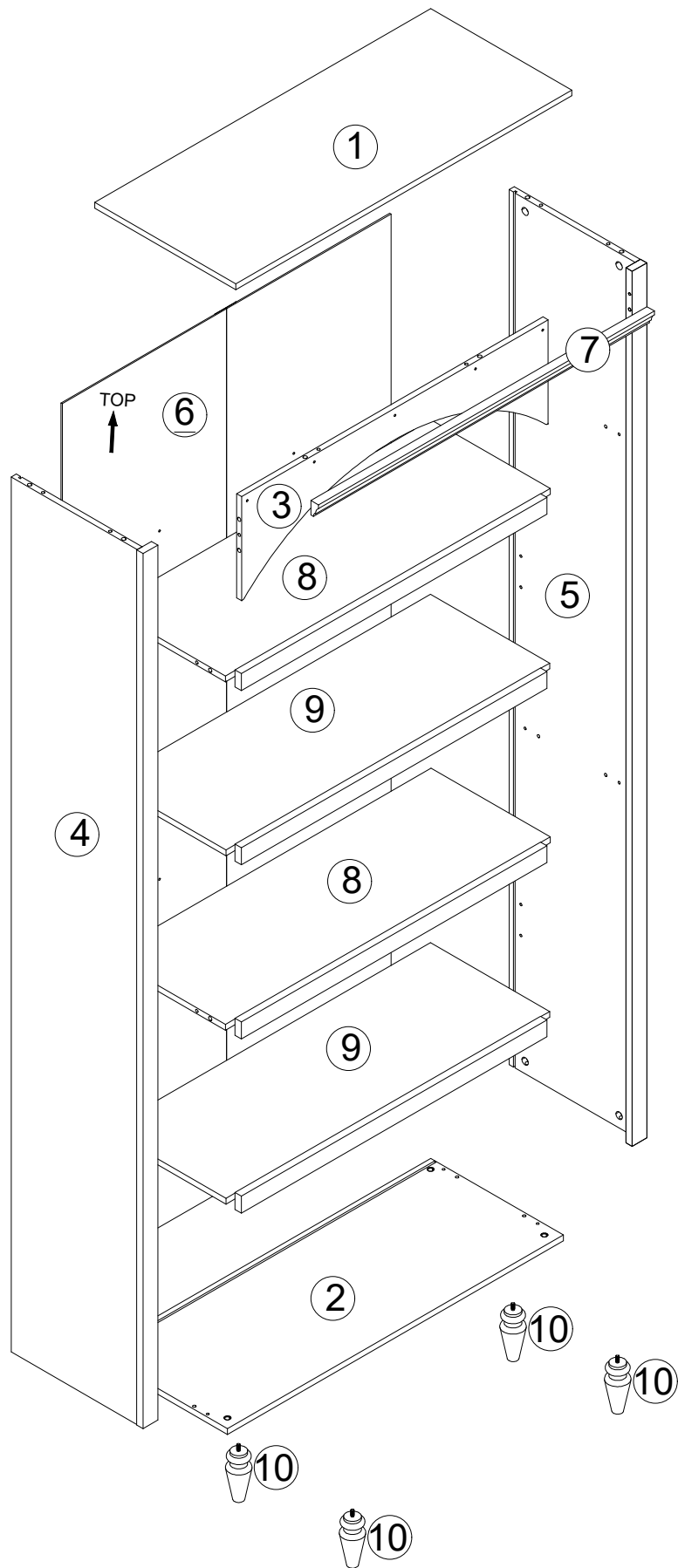
⑨ x 2



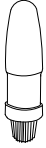
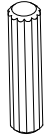
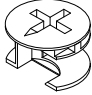

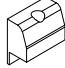

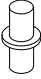



⑩ x 4







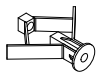
BOARD IDENTIFICATION



HARDWARE IDENTIFICATION

<p>A</p>  <p>Glue Qty: 1</p>	<p>B</p>  <p>Wood Dowel Ø6*30mm Qty: 20</p>	<p>C</p>  <p>Cam Lock Ø15*9mm Qty: 22</p>	<p>D</p>  <p>Cam Bolt Ø7*34mm Qty: 22</p>	<p>E</p>  <p>Plastic wedge Qty: 12</p>
<p>F</p>  <p>Flat-head screw Ø3*16mm Qty: 12</p>	<p>G</p>  <p>Shelf support Qty: 8</p>	<p>H</p>  <p>Crash pad Qty: 14</p>	<p>I</p>  <p>Screw Ø4*23mm Qty: 5</p>	<p>J</p>  <p>Screw Ø3.5*14mm Qty: 4</p>

WALL MOUNTING KIT

 <p>Metal Qty: 4</p>	 <p>Steel Cable Qty: 2</p>	 <p>Short Screw Ø4*20mm Qty: 2</p>	 <p>Long Screw Ø4*38mm Qty: 2</p>	 <p>Drywall Anchor Qty: 2</p>
---	---	---	--	--

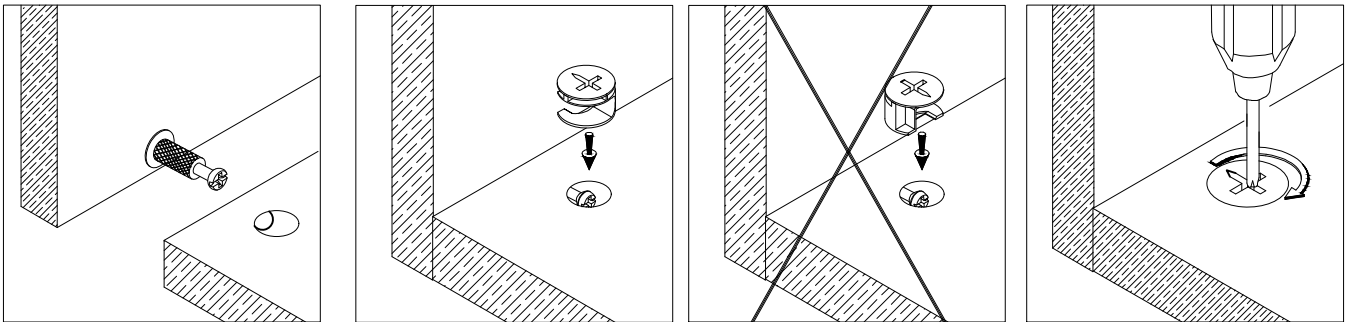
CAM LOCK SYSTEM OPERATION

NOTE: When inserting the Cam Lock, make sure that the Open End of the Cam Lock faces the Cam Screw Entry. The Dowel will be inserted in the hole NEXT to the Cam Lock/Cam Screw Hole.

NOTE: The Cam Lock is backwards in this illustration. The Cam Screw can not connect to the Cam Lock because the Dowel is in the incorrect hole.

NOTE: To tighten, turn the Cam Lock CLOCKWISE until the arrow point AWAY from the connected Panel.

NOTE: DO NOT USE AN AUTOMATIC SCREWDRIVER TO TIGHTEN CAM LOCKS, DO NOT OVER-TIGHTEN.



IMPORTANT

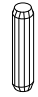

Before you begin: Open, identify and count all parts prior to assembly. Lay out parts on a flat and non-abrasive surface.

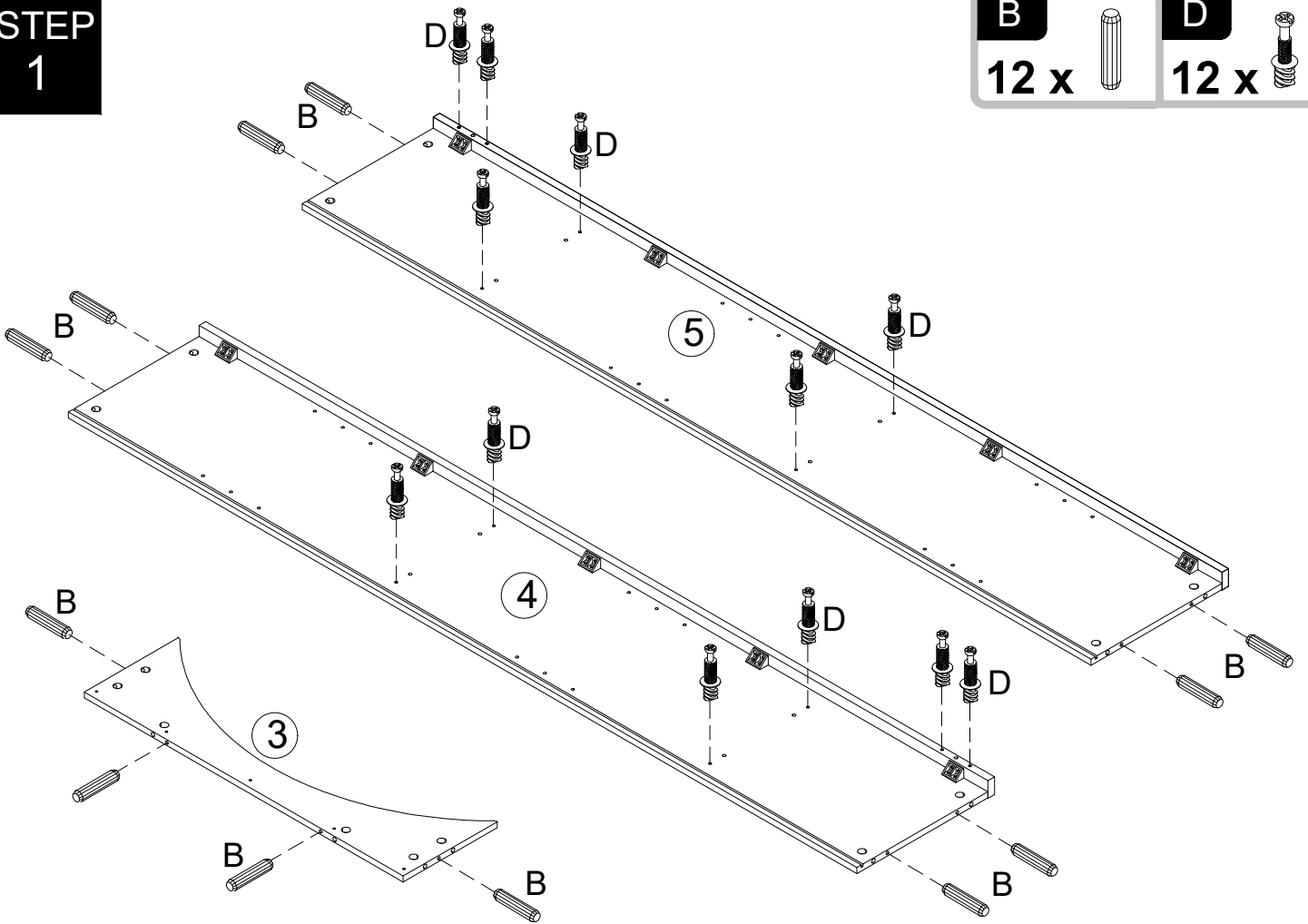
NOTE: IT IS VERY IMPORTANT TO USE GLUE WITH THE DOWELS. EXCESS GLUE CAN BE WIPED OFF WITH A DAMP CLOTH.

Insert Dowel at least half way by tapping lightly with a rubber mallet (not included), IF NECESSARY.

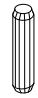



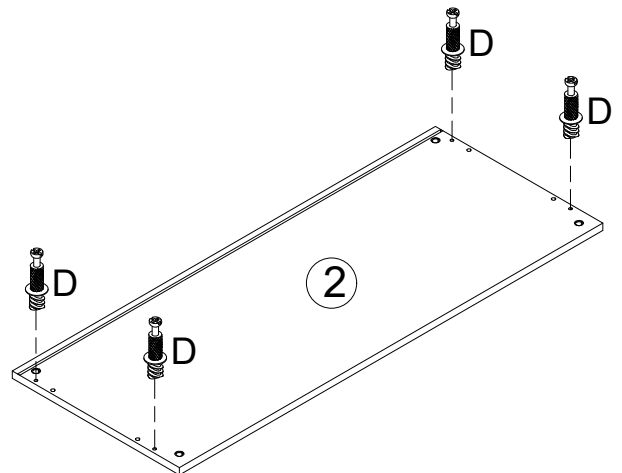
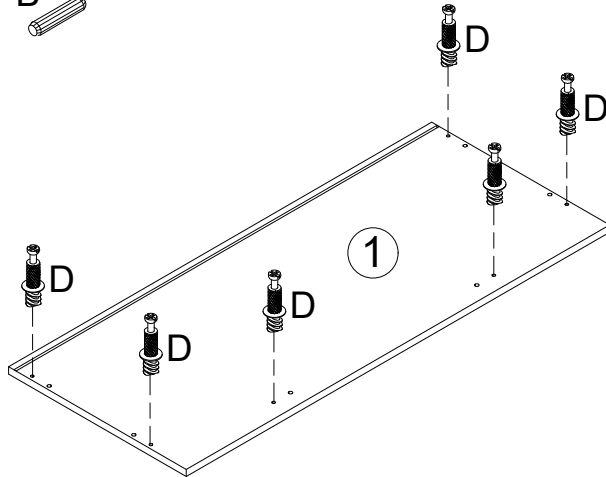
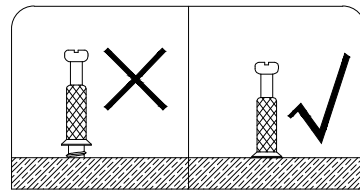
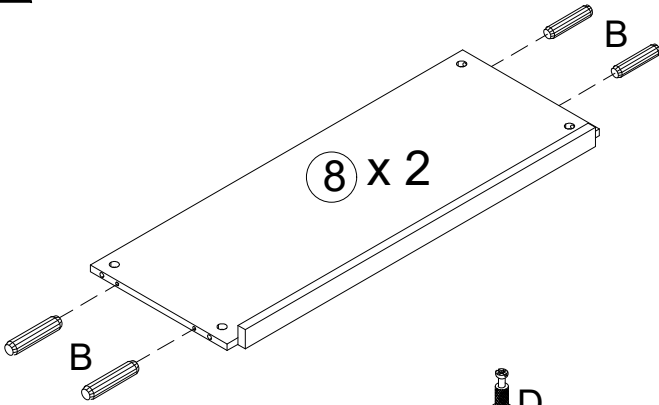
STEP 1

B		D	
12 x		12 x	



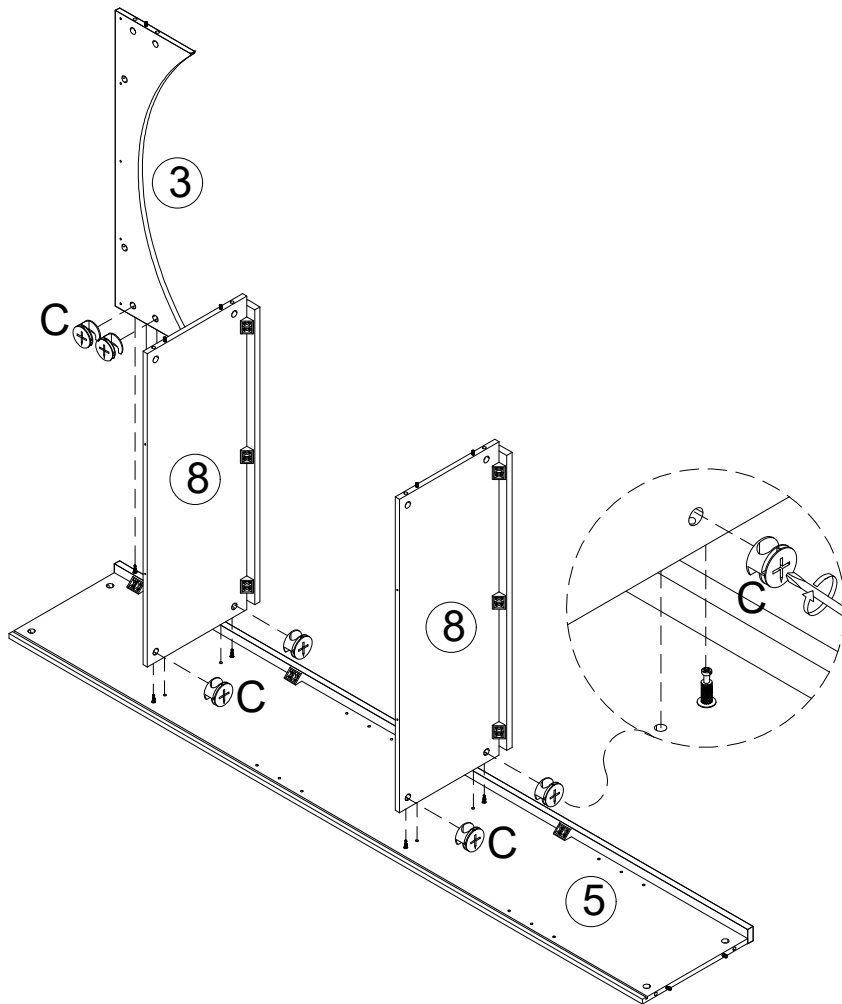
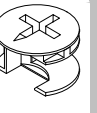
STEP 2

B		D	
8 x		10 x	



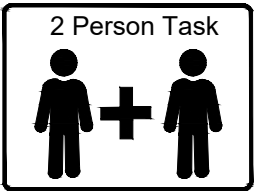
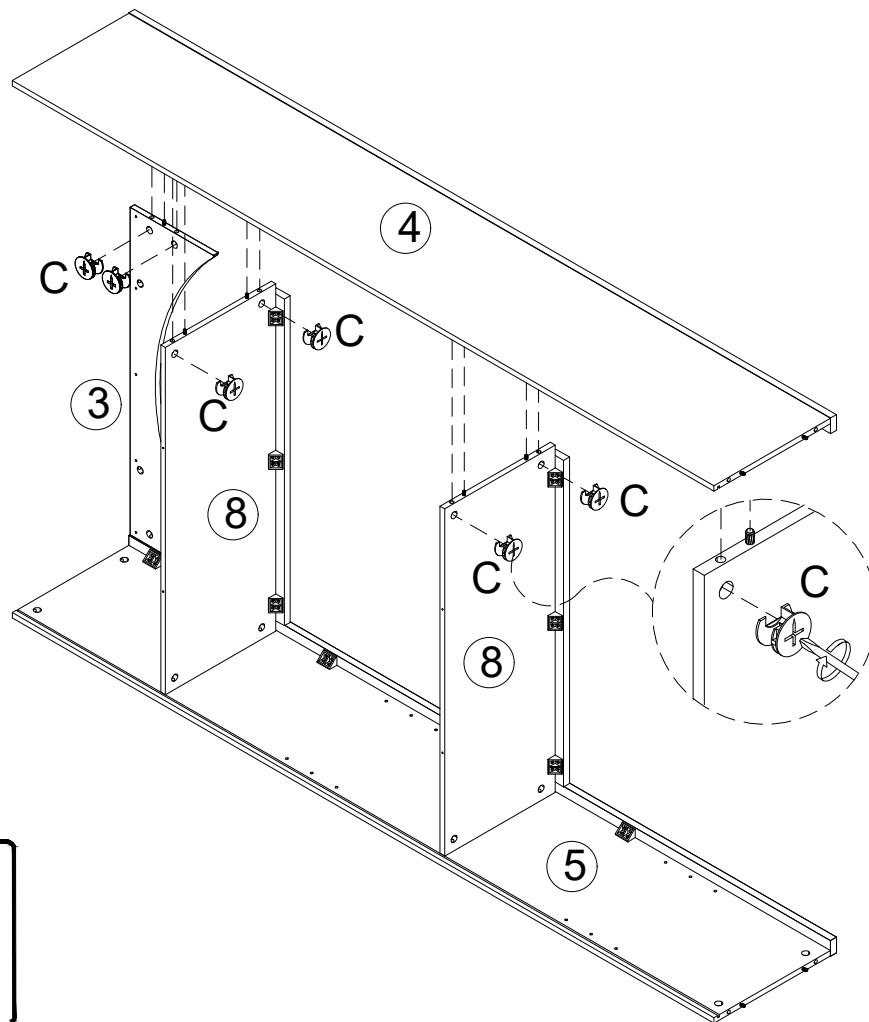
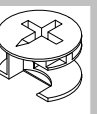
STEP
3

C
6 x



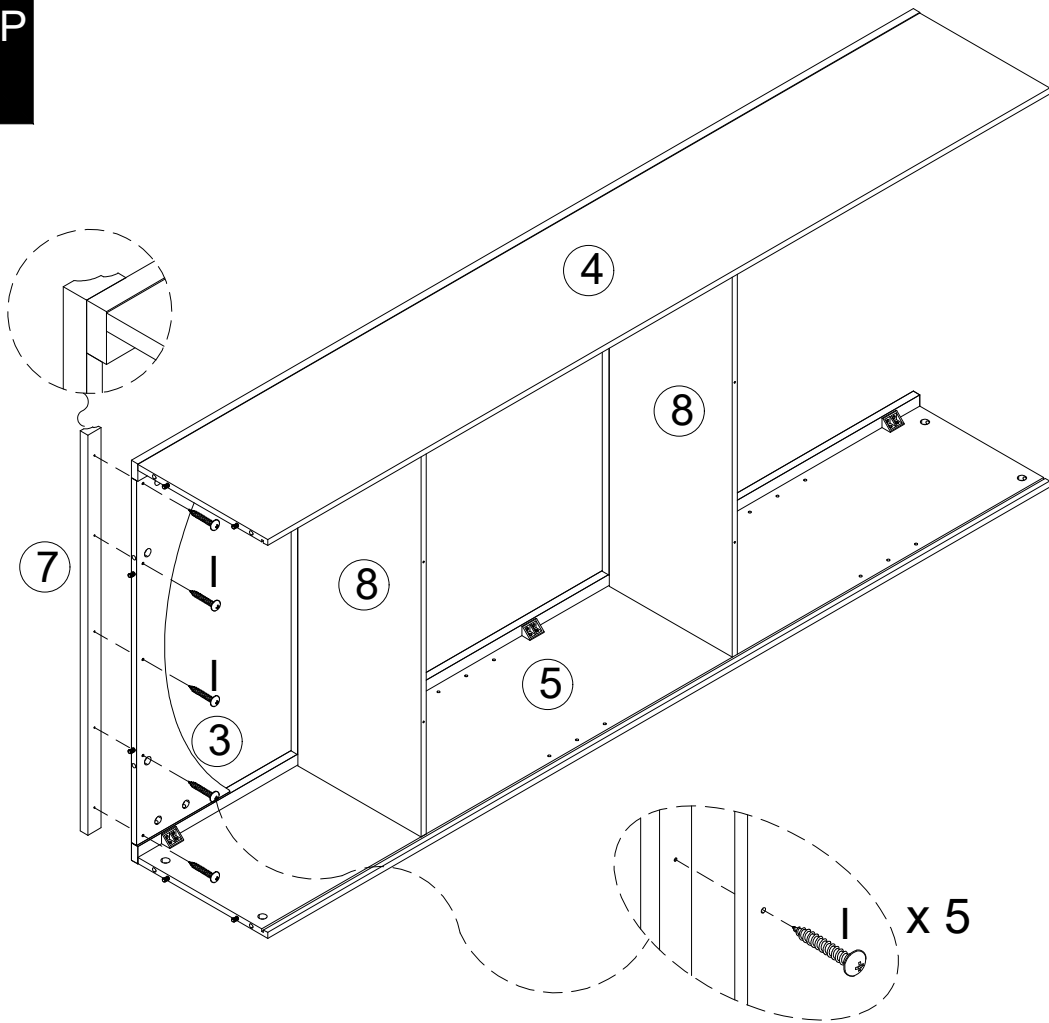
STEP
4

C
6 x



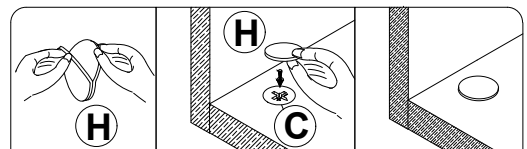
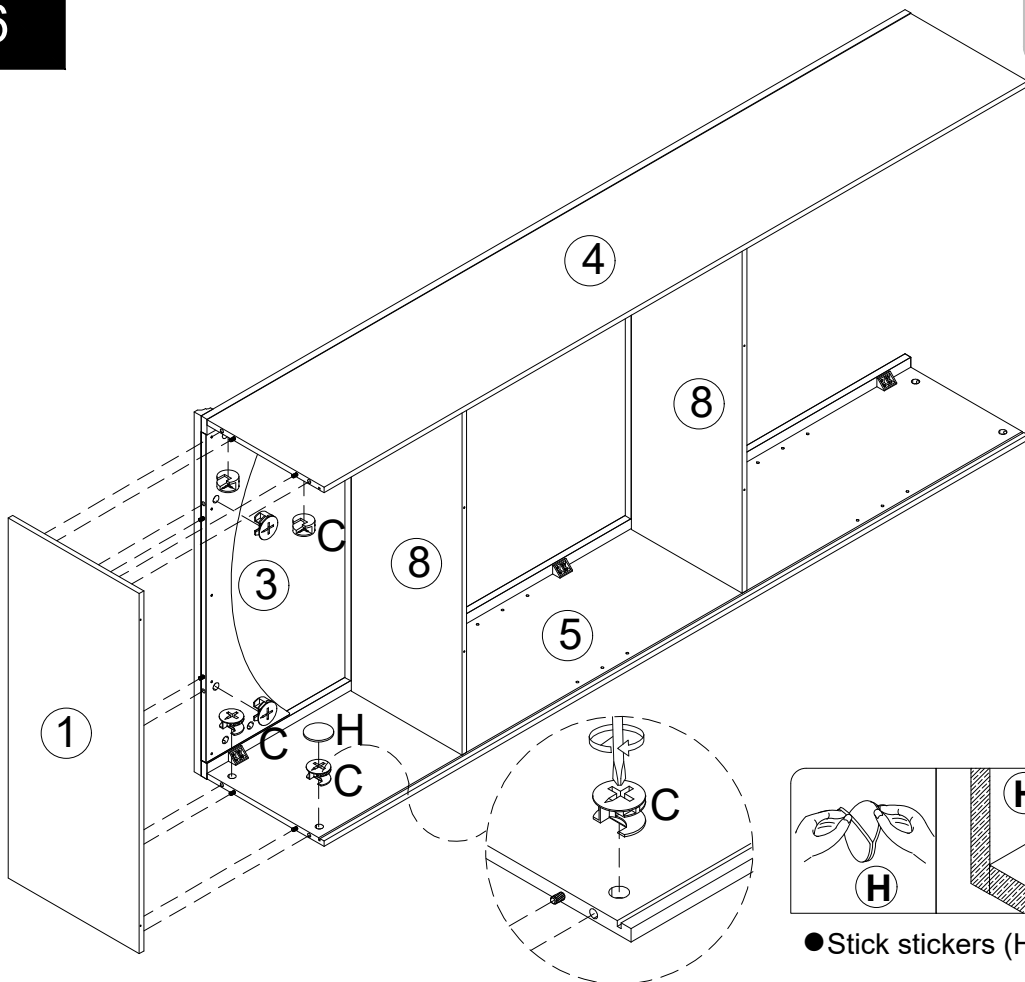
STEP
5

I
5 x 



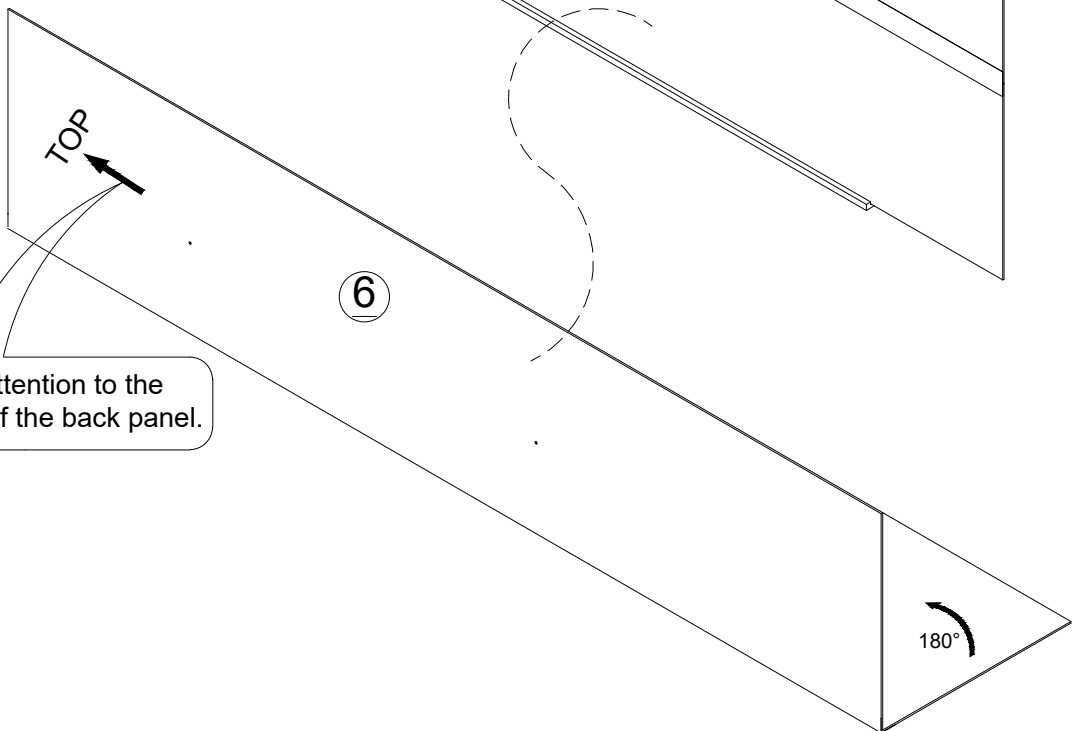
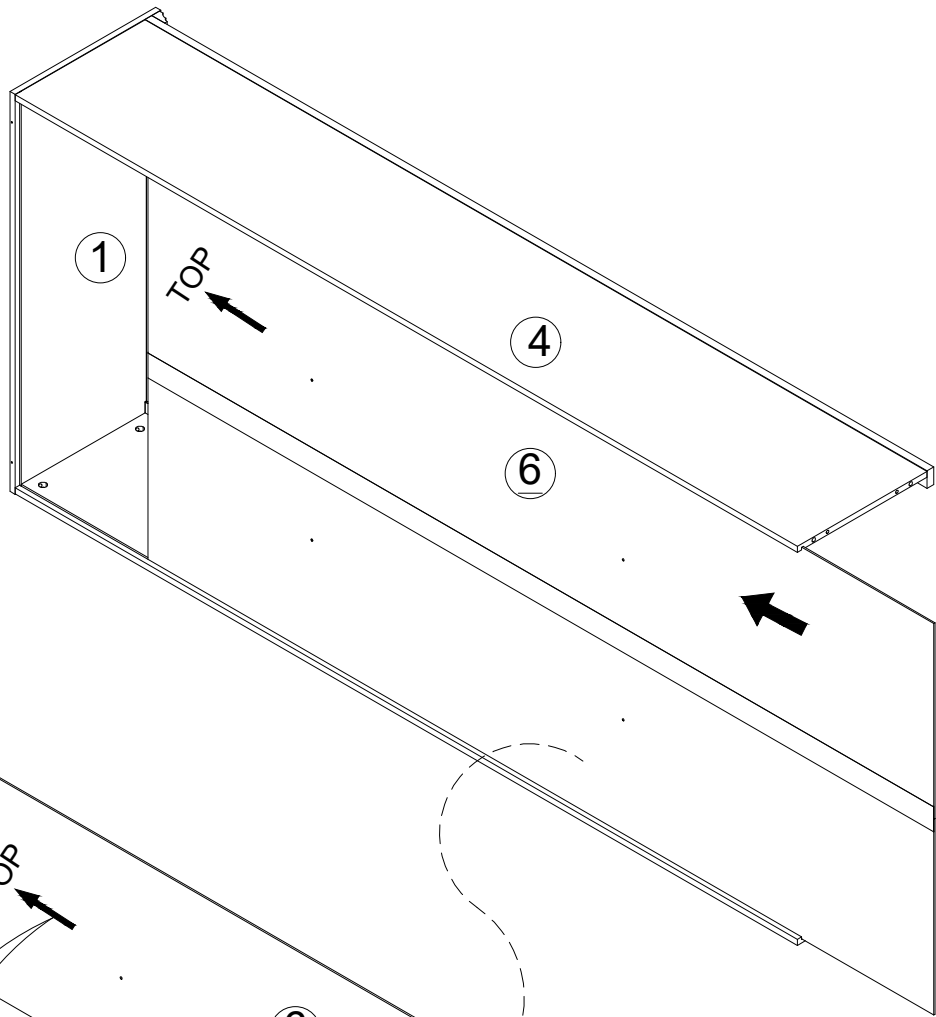
STEP
6

C  **H** 
6 x **6 x**

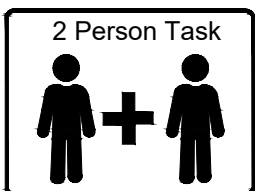


● Stick stickers (H) on cam locks (C).

STEP
7

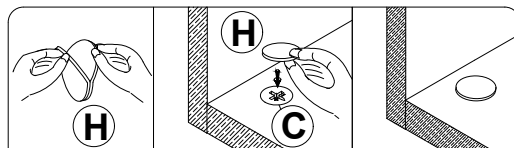
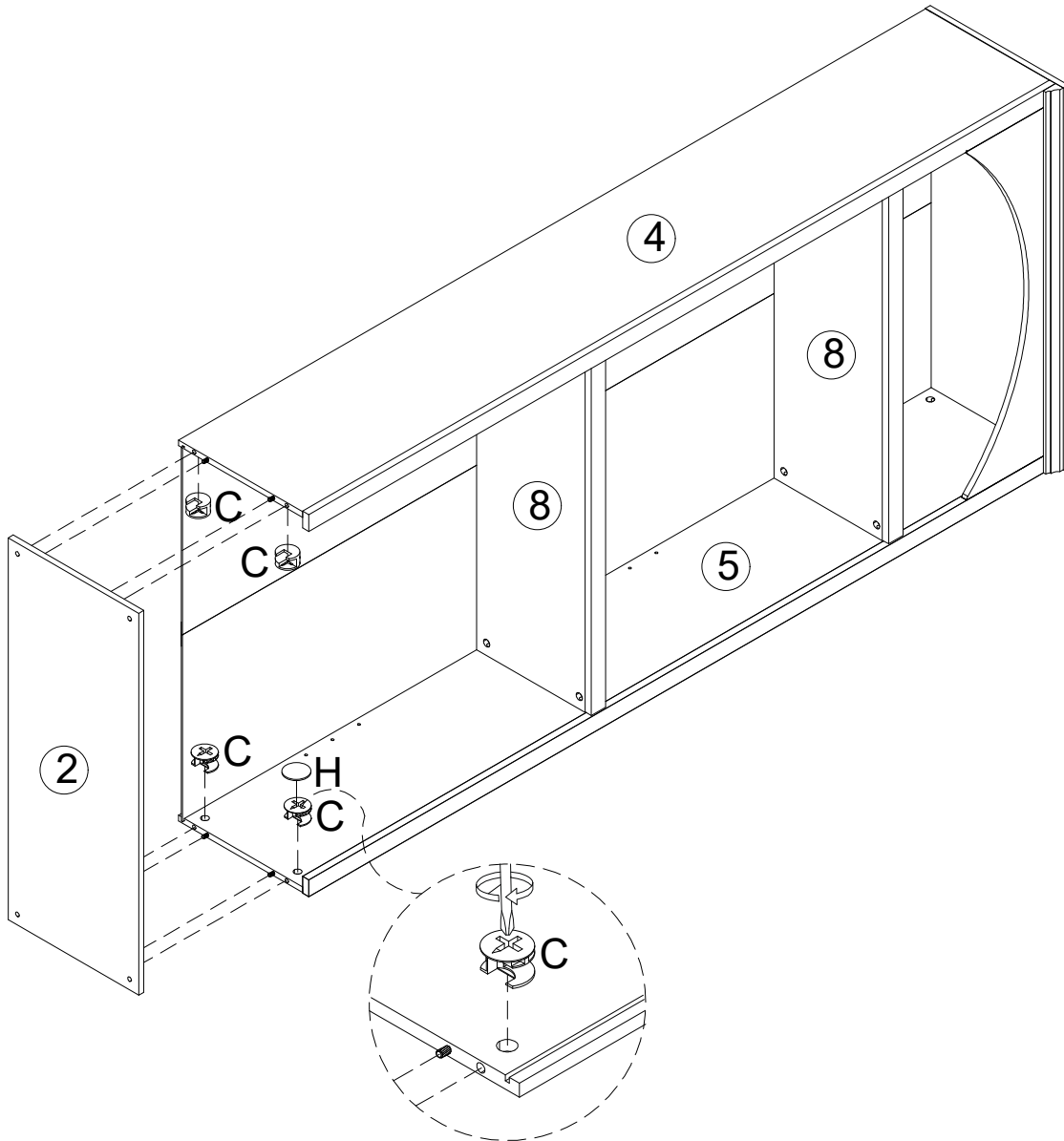


Note: Pay attention to the orientation of the back panel.




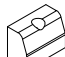

STEP
8

C		H	
4 x		4 x	

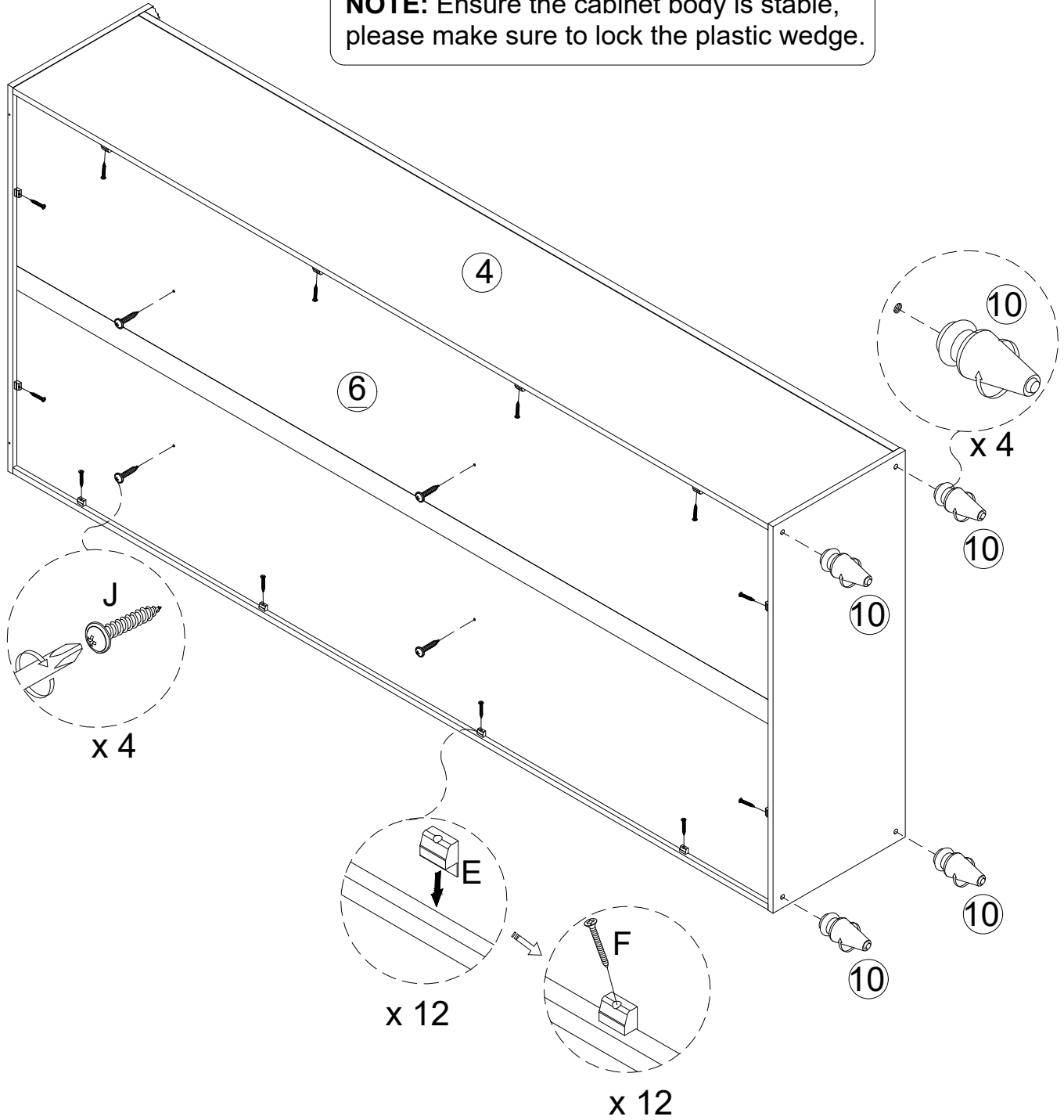


● Stick stickers (H) on cam locks(C).

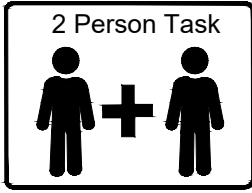
STEP
9

J		E		F	
4 x		12 x		12 x	

NOTE: Ensure the cabinet body is stable, please make sure to lock the plastic wedge.



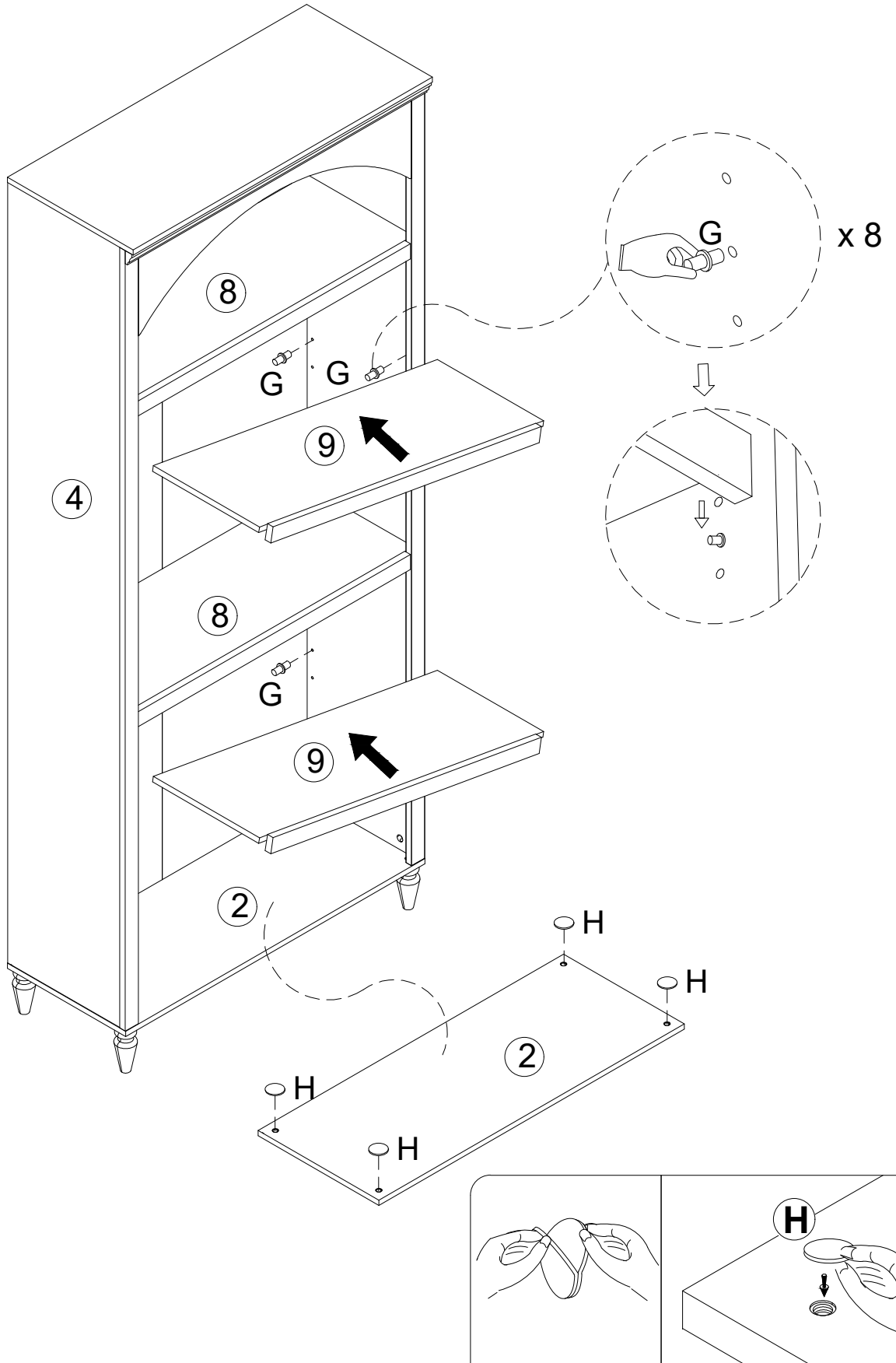
STEP
10



G
8 x



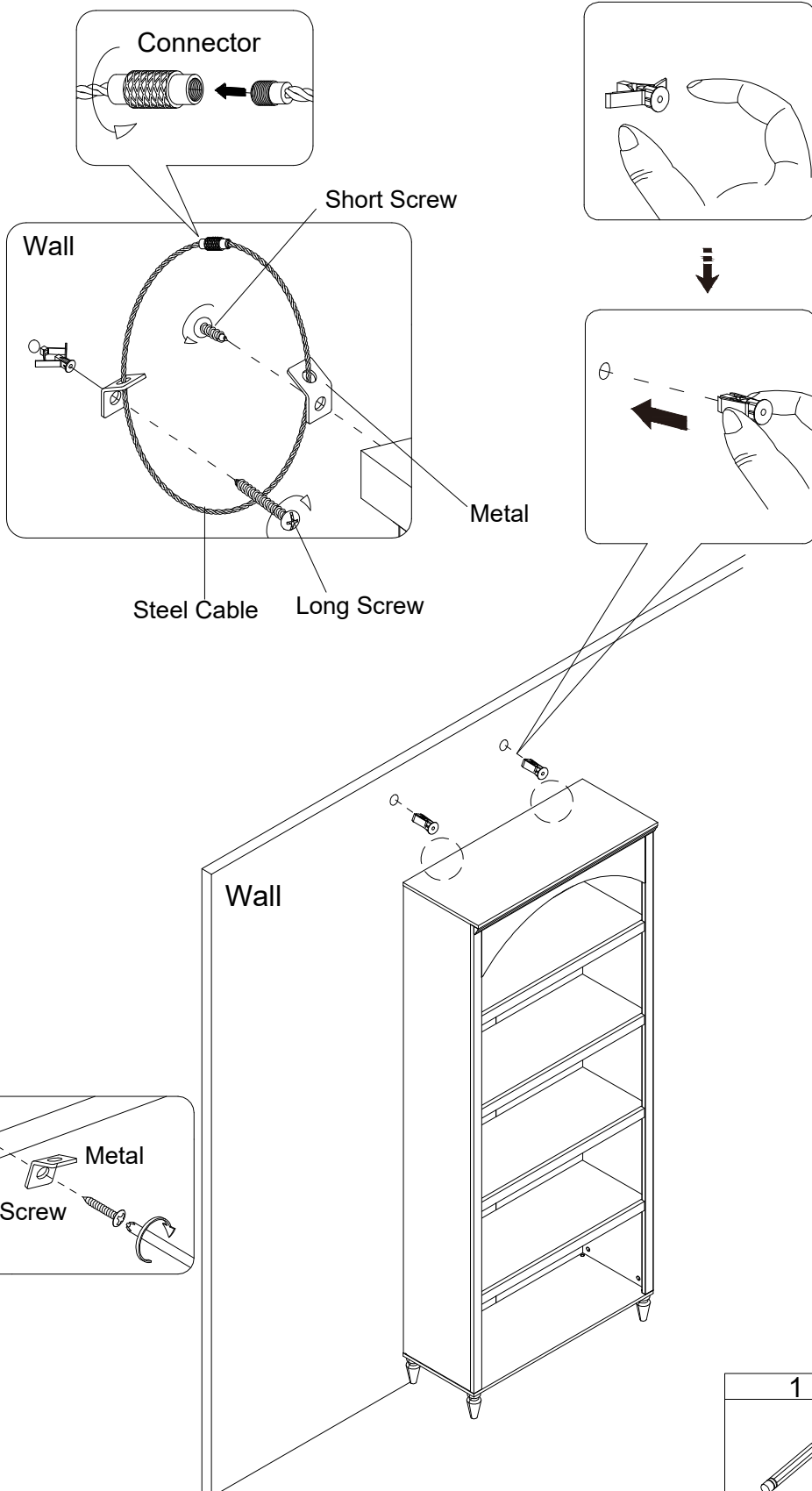
H
4 x



STEP 11

WARNING

Serious or fatal injuries can occur tipping over. To prevent the furniture from tipping over we recommend that it is permanently fixed to the wall. Wall anchor and hardware are included with this product. Please make sure hardware is suitable for your walls before installing, as different wall materials may require different types of anchors.



Care and Maintenance

- Use a soft, clean cloth that will not scratch the surface when dusting.
- Use of polish is not necessary. Should you choose to use polish, test first in an inconspicuous area.
- Using solvents of any kind on your may damage the finish.
- Never use water to clean your as it may cause damage to the finish.
- Always use coasters under beverage glasses and flowerpots.
- Liquid spills should be removed immediately. Using a soft, clean cloth, blot the spill gently. Avoid rubbing.
- Always use protective pads under hot dishes and plates. Heat can cause chemical changes that may create spotting within the finish.
- Stains or marks from crayons or ink markers will be difficult to remove.
- In the event that your is stained or otherwise damaged during use, we recommend that you call a professional to repair .
- Check bolts/screws and nuts periodically and tighten them if necessary.

Caring for Wood

It is best to keep your in a climate-controlled environment. Extreme temperature and humidity changes can cause fading, warping, shrinking and splitting of wood. It is advised to keep away from direct sunlight as sun may damage the finish.

Proper care and cleaning at home will extend the life of your purchase. Following these important and helpful tips will enhance your as it ages.