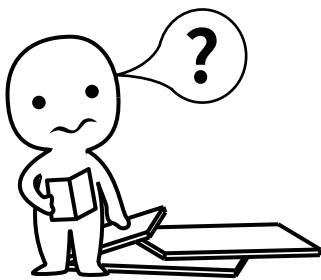


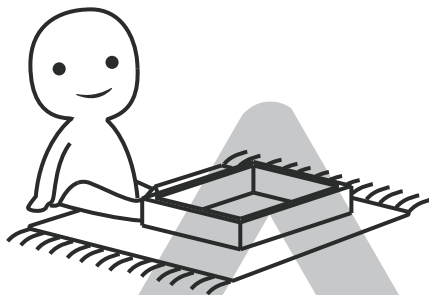
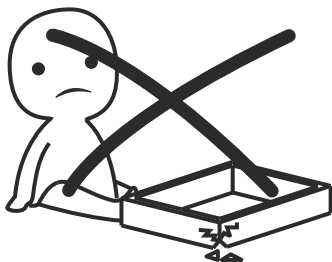
# **INSTALLATION**

*Product Manual*



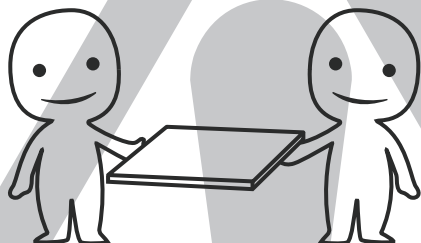
### **IMPORTANT INFORMATION!**

please read the entire manual before starting to assemble and/or using this product, follow the manual thoroughly and keep it for further reference.



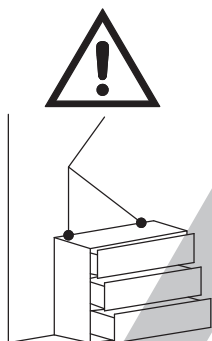
### **AVOID SCRATCHES!**

In order to avoid scratching this furniture should be assembled on a soft layer-could be a rug.



### **IMPROVE EFFICIENCY !**

Try to find a partner to install with you, which can speed up the installation efficiency and shorten the time.



### **ANTI-TOPPLE WARNING !**

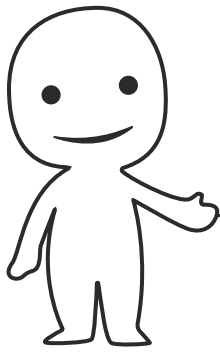
Overturnd furniture can cause serious or fatal crush injuries. To prevent tipping over, be sure to use the wall attachment, if not included with this product. Please purchase the wall attachment that fit your wall. If unsure, seek professional advice. Please read and follow each step of the instructions carefully.

### **IMPORTANT !**

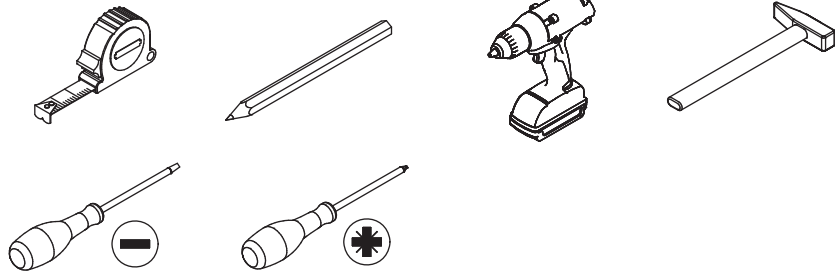
It is important that any product which is assembled using any kind of screw is re-tightened 2 weeks after assembly, and once every 3 months - in order to assure stability through-out the lifespan of the product.

For regular maintenance and cleaning of the product, for the frame, please use a rag dipped in neutral detergent to fully wipe it, and then dry it with a clean rag. For glass materials, wipe with a rag dampened with water glass cleaner, and then dry with a dry rag.

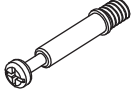

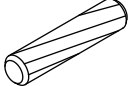

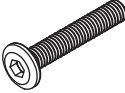




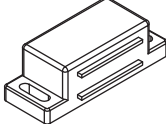
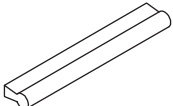



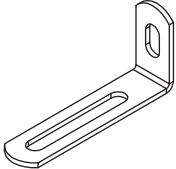
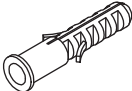

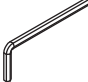
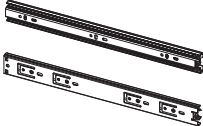
Do not use an electric screwdriver, and do not use too much force when installing, because the board is easy to break.

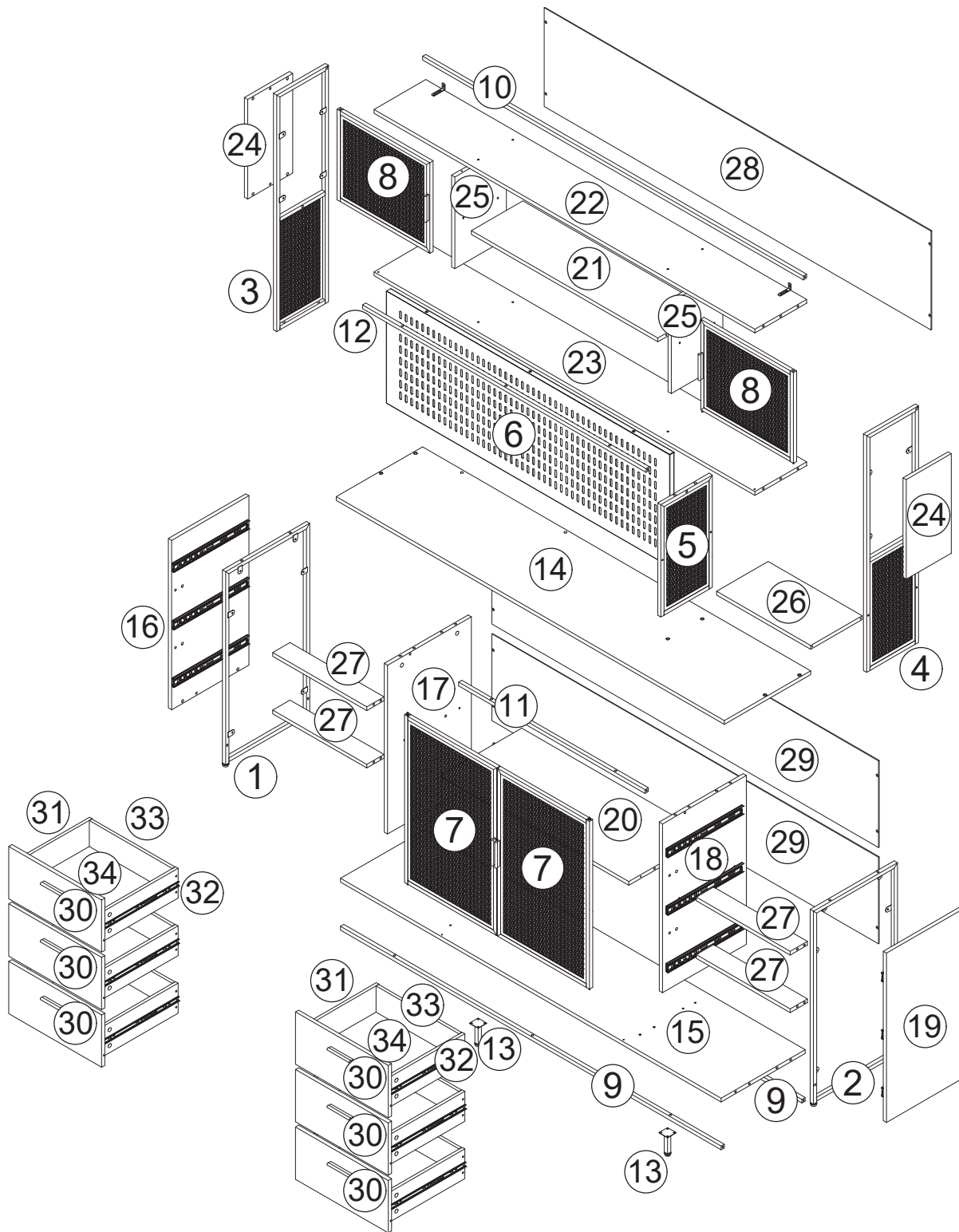


Please prepare the following tools



When installing, please carefully confirm whether each screw corresponds to the manual, accessories with similar shapes can be distinguished by size

<p>A x 48</p>  <p>CRA0635A</p>	<p>B x 48</p>  <p>CRB1595A</p>	<p>C x 30</p>  <p>CRF0630A</p>	<p>D x 48</p>  <p>CRC0540A</p>	<p>E x 10</p>  <p>CRG0635A</p>
<p>F x 19</p>  <p>CRG0625A</p>	<p>G x 22</p>  <p>CRG0612A</p>	<p>H x 78</p>  <p>CRD3512A</p>	<p>J x 8</p>  <p>CRD0314A</p>	<p>K x 4</p> 
<p>L x 10</p> 	<p>M x 20</p>  <p>∅ 4 x 18 mm</p>	<p>N x 8</p> 	<p>P x 68</p>  <p>∅2 x 16 mm</p>	<p>Q x 8</p> 
<p>R x 2</p> 	<p>S x 2</p> 	<p>T x 2</p>  <p>CRD3535A</p>	<p>U x 1</p>  <p>4#</p>	<p>35 x 6</p>  <p>3508-14"</p>



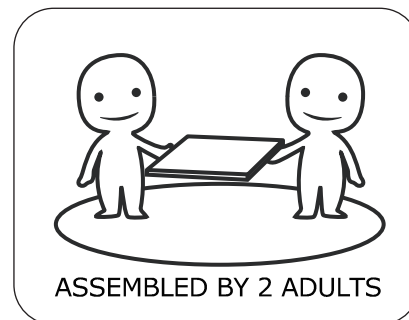
## ⚠ WARNING



**Children have died from furniture tipover. To reduce the risk of furniture tipover:**

- ALWAYS install tipover restraint provided.
- NEVER put a TV on this product.
- NEVER allow children to stand, climb or hang on drawers, doors, or shelves.
- NEVER open more than one drawer at a time.
- Place heaviest items in the lowest drawers.

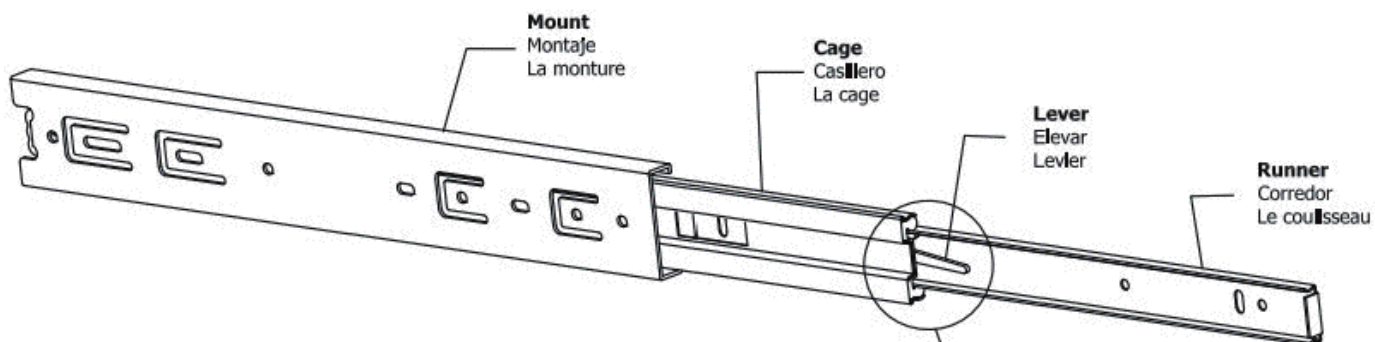
*This is a permanent label.  
Do not remove!*



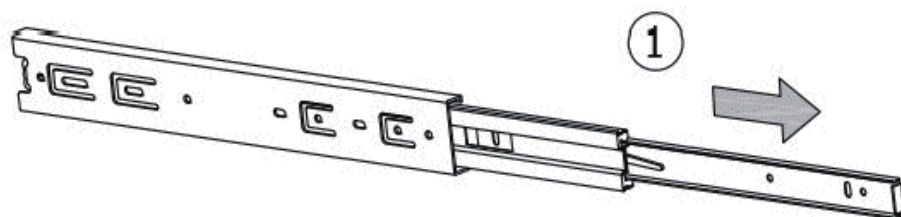
**Slides Must Be Separated Before Assembly.  
After Separated, Set Aside Until Needed for Assembly.**

Las diapositivas deben separarse antes del montaje.  
Después de la separación, déjelo a un lado hasta que sea necesario.

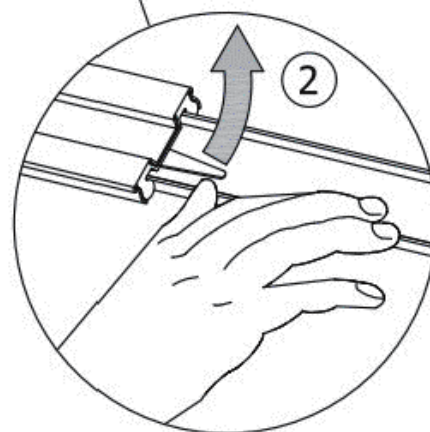
Les glissières doivent être séparées avant l'assemblage.  
Après la séparation, mettez de côté jusqu'au moment de l'assemblage.



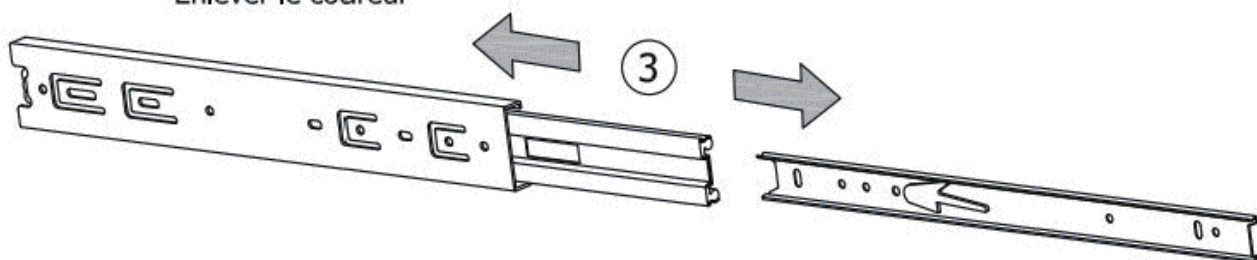
**STEP 1: Extend Slide**  
Extender la diapositiva  
Extendre la diapositive



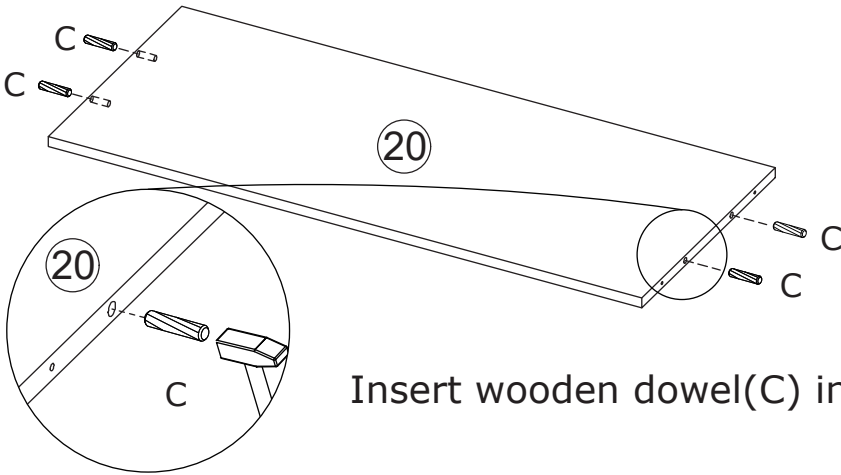
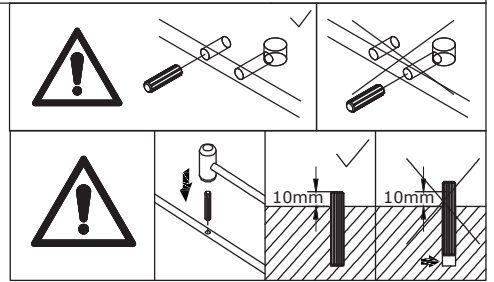
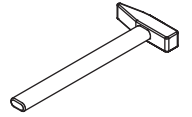
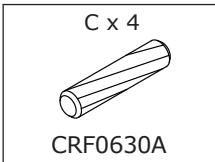
**STEP 2: Push Lever UP**  
Empujar hacia arriba  
Levier le levier



**STEP 3: Remove Runner**  
Quitar el corredor  
Enlever le coureur

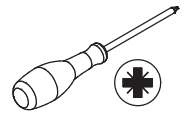
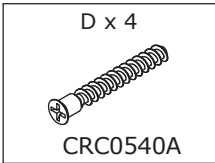


1

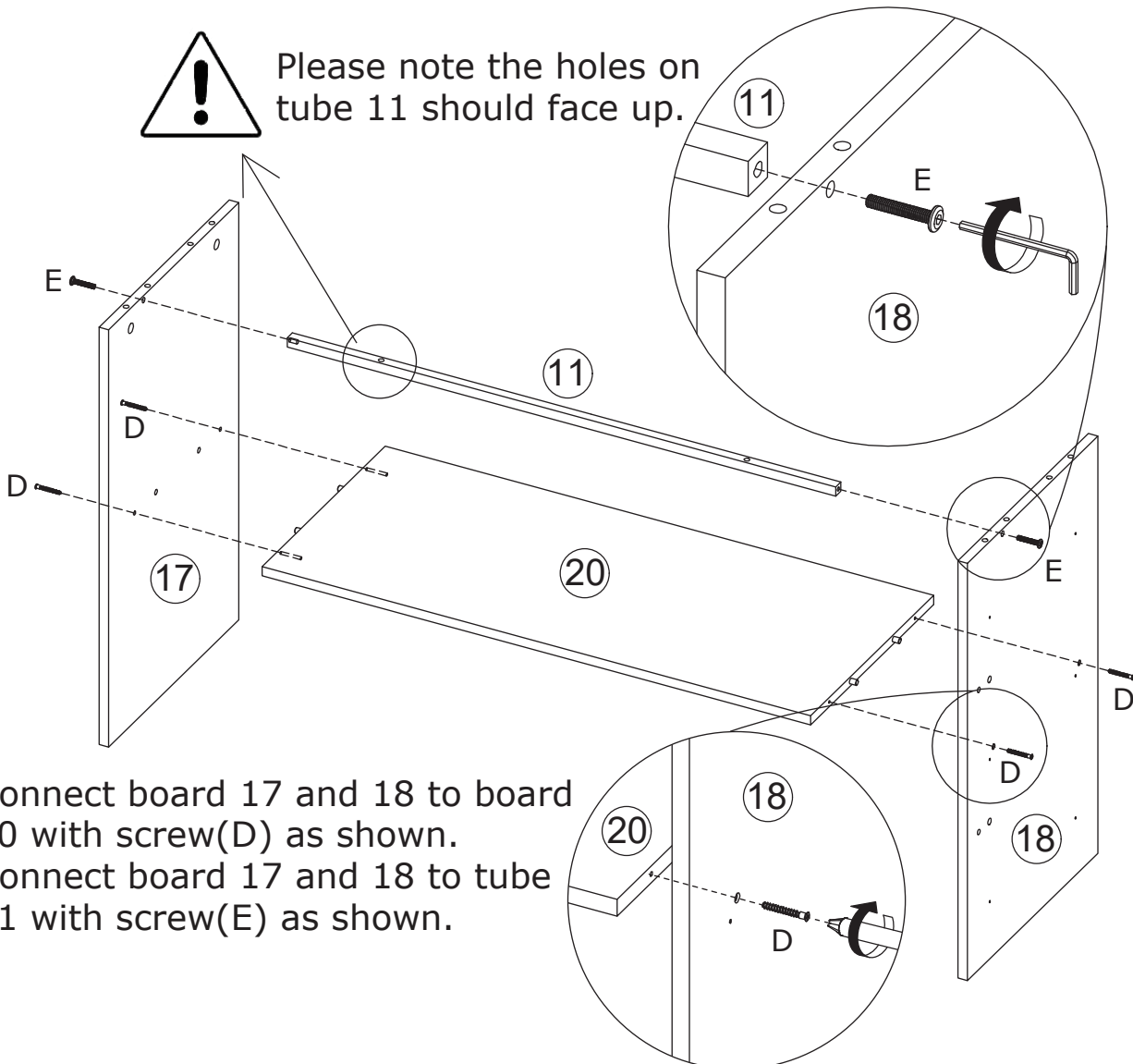


Insert wooden dowel(C) into board 20 at first.

2

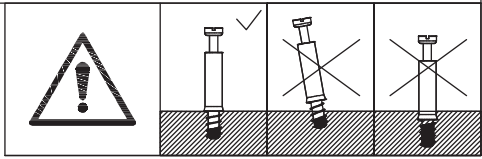
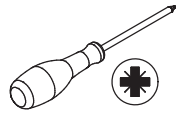
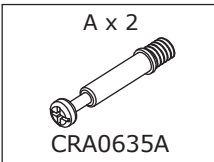


Please note the holes on tube 11 should face up.

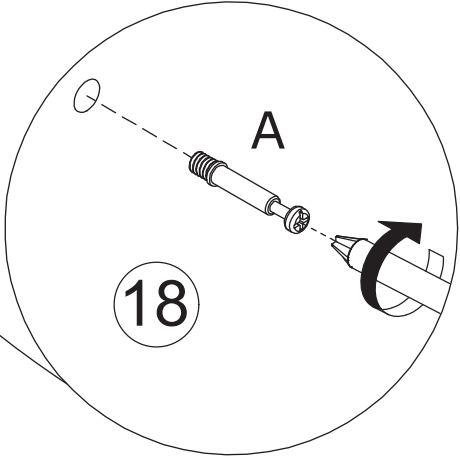
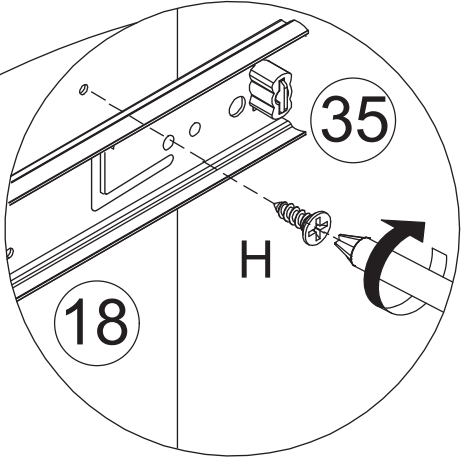
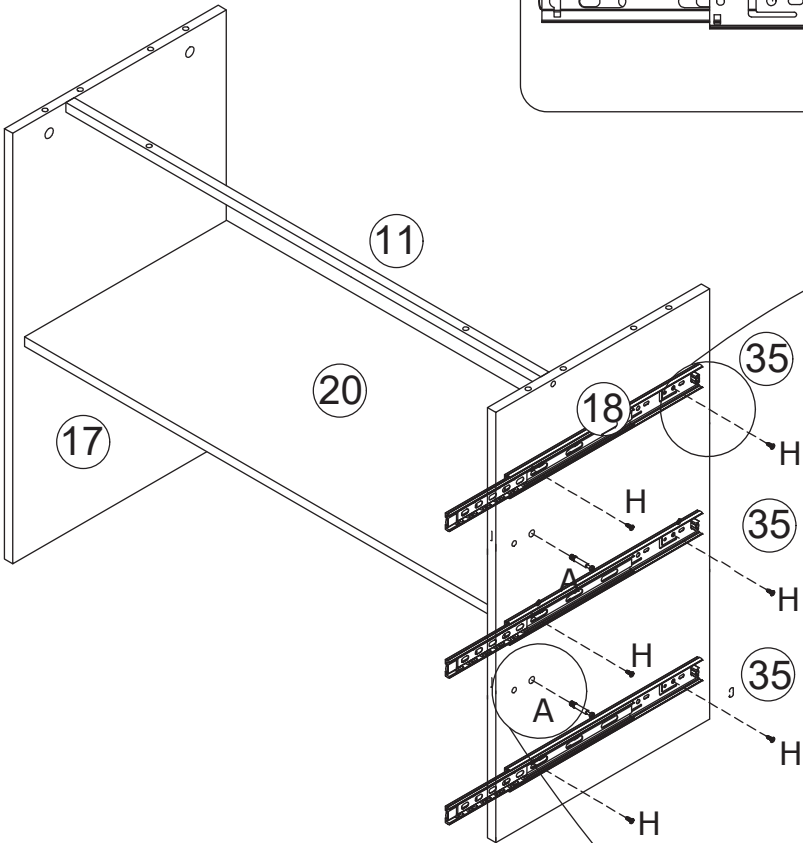
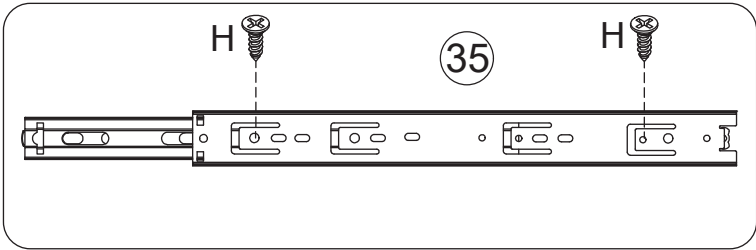


Connect board 17 and 18 to board 20 with screw(D) as shown.  
Connect board 17 and 18 to tube 11 with screw(E) as shown.

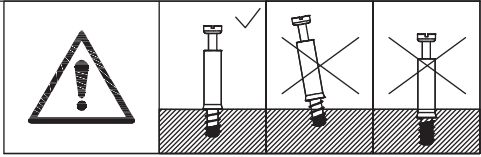
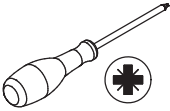
3



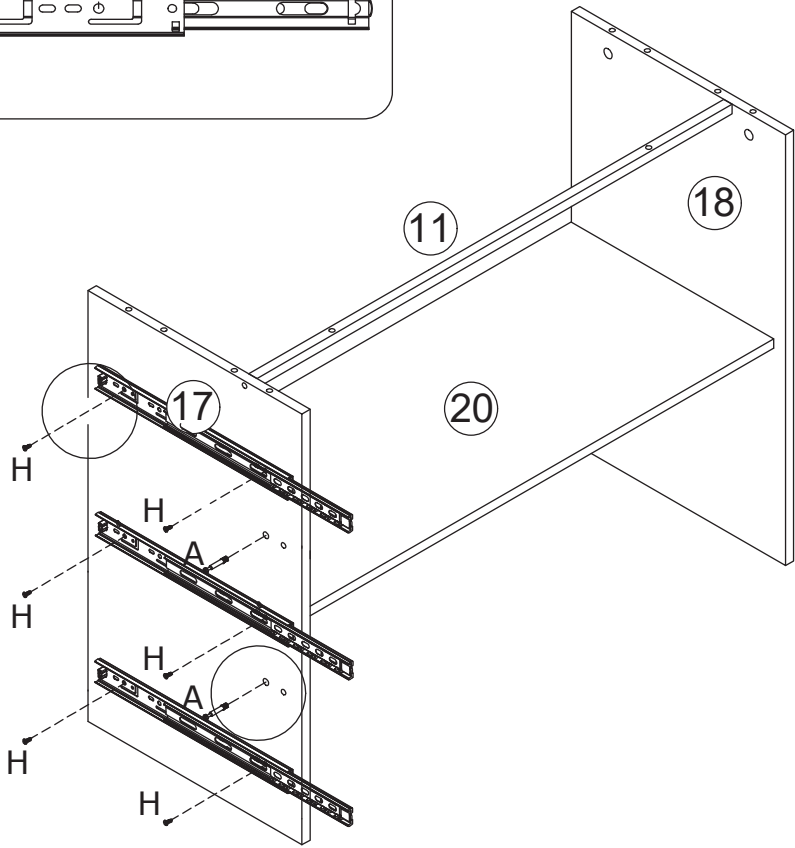
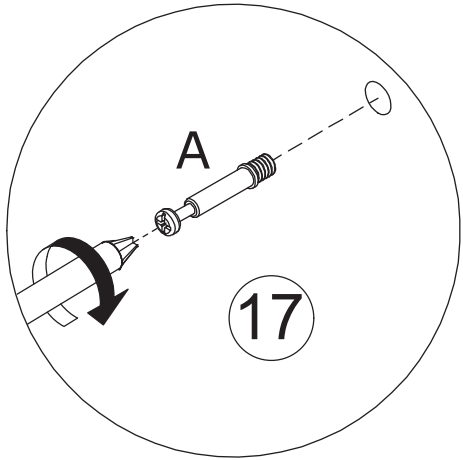
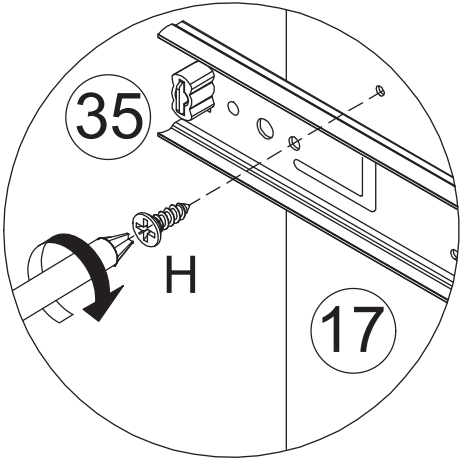
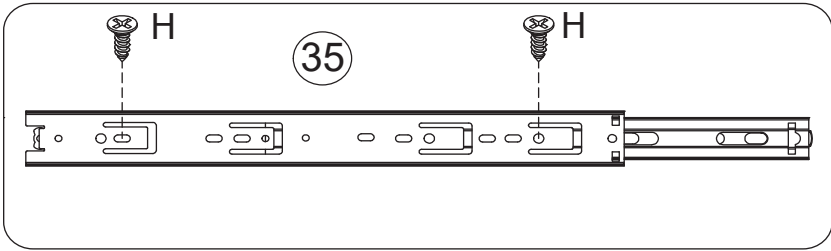
Fix slide rail 35 to board 18 with screw(H) as shown.  
Screw eccentric rod(A) into board 18 as shown.



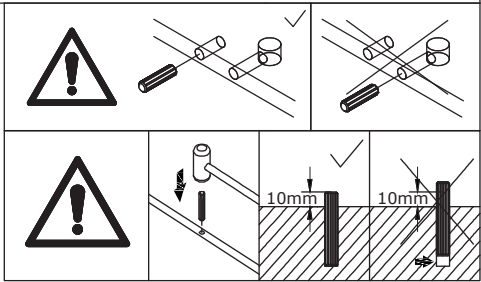
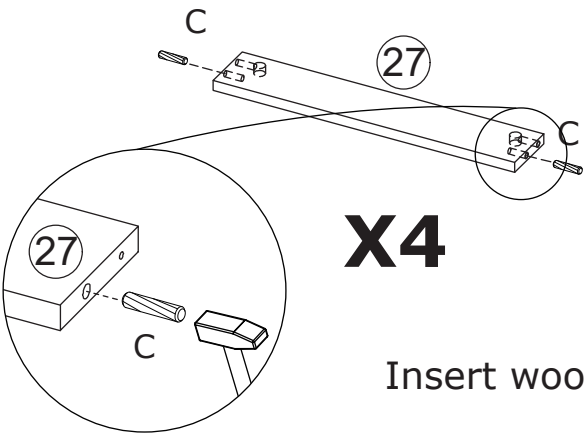
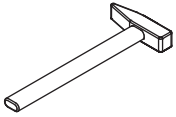
4



Fix slide rail 35 to board 17 with screw(H) as shown.  
Screw eccentric rod(A) into board 17 as shown.

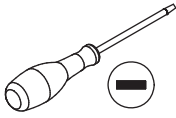
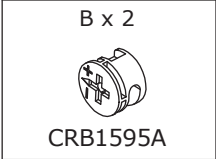


5

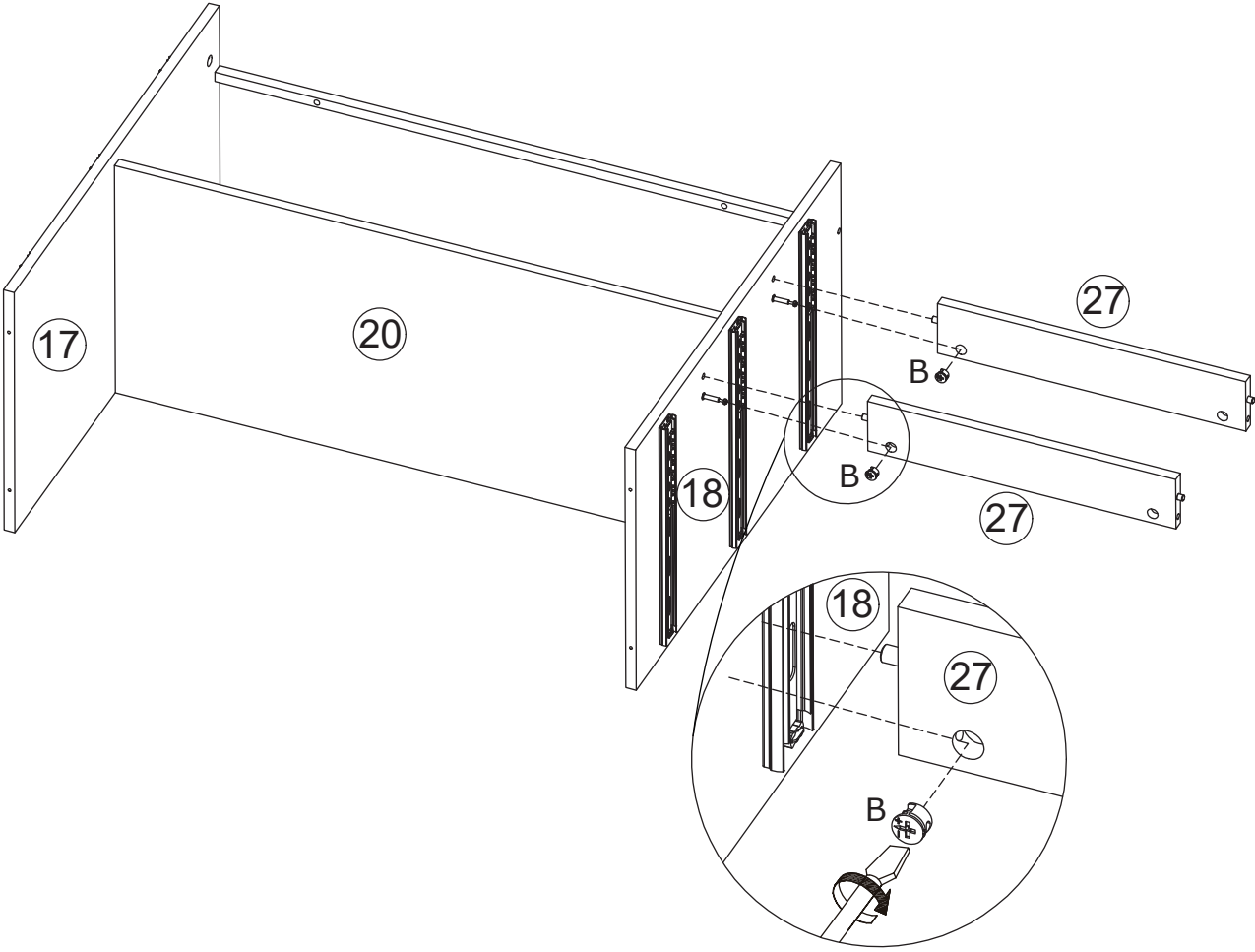
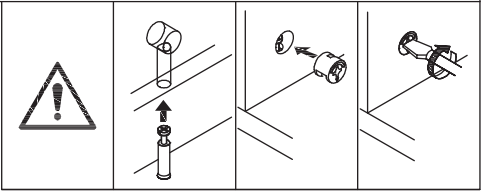


Insert wooden dowel(C) into board 27 at first.

6

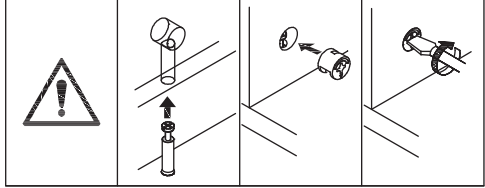
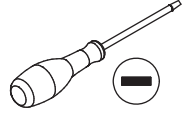


Connect board 27 to board 18, add cam lock(B) into board 27 and turn clockwise to tighten as shown.

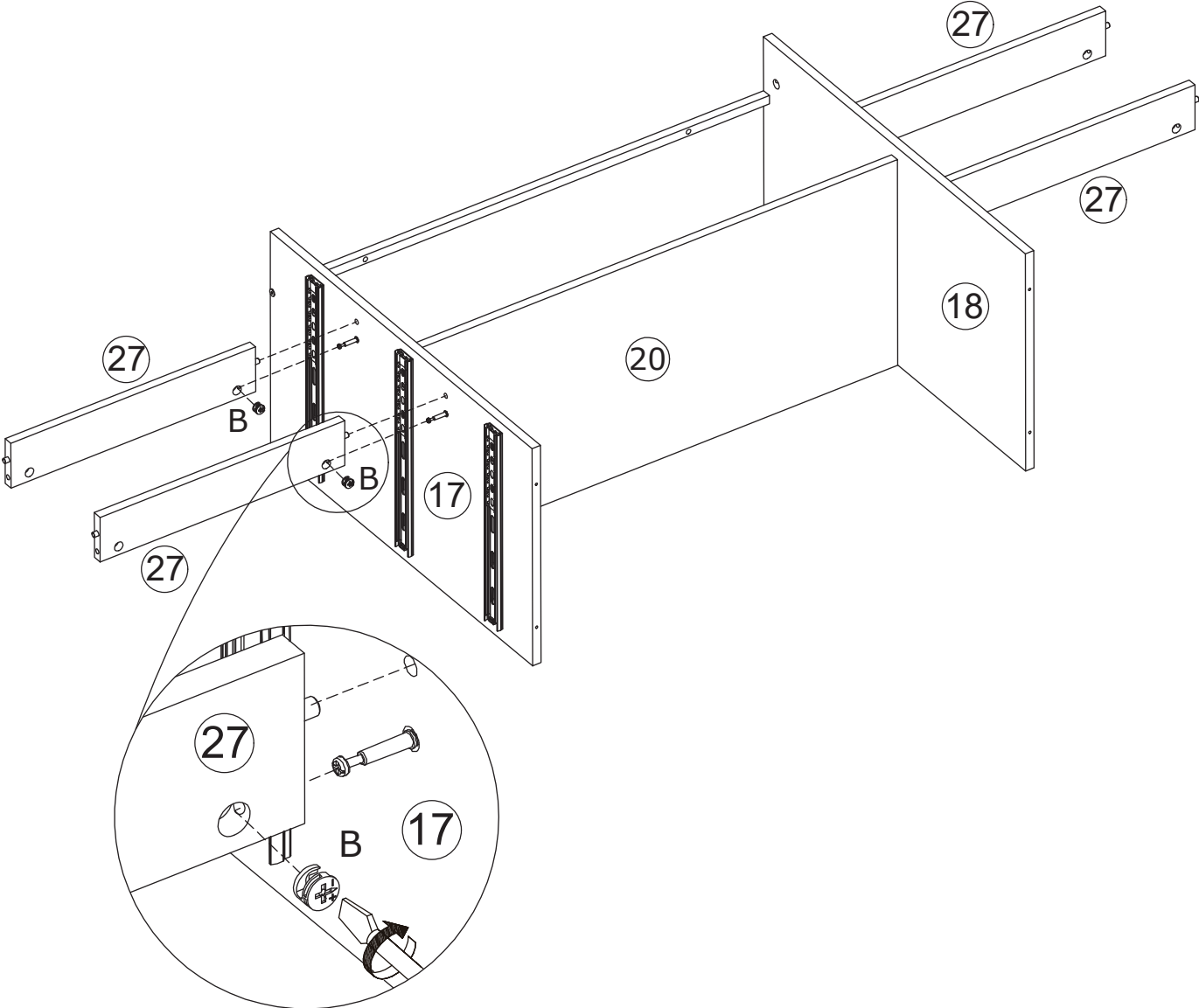


7

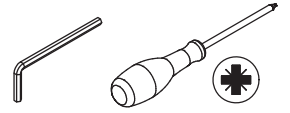
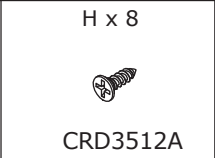
B x 2  
CRB1595A



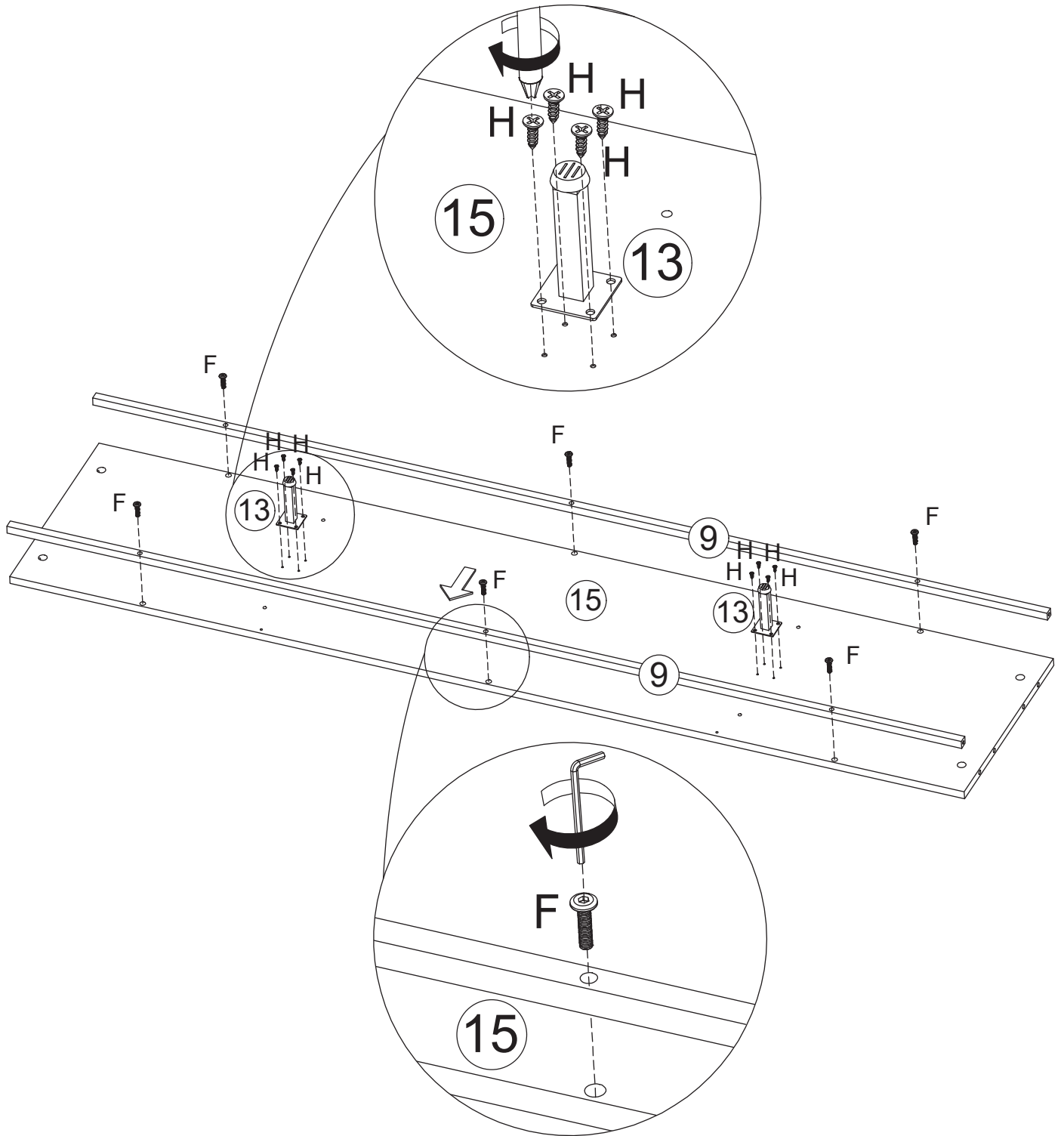
Connect board 27 to board 17, add cam lock(B) into board 27 and turn clockwise to tighten as shown.



8

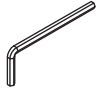


Fix leg 13 to board 15 with screw(H) as shown.  
Fix tube 9 to board 15 with screw(F) as shown.

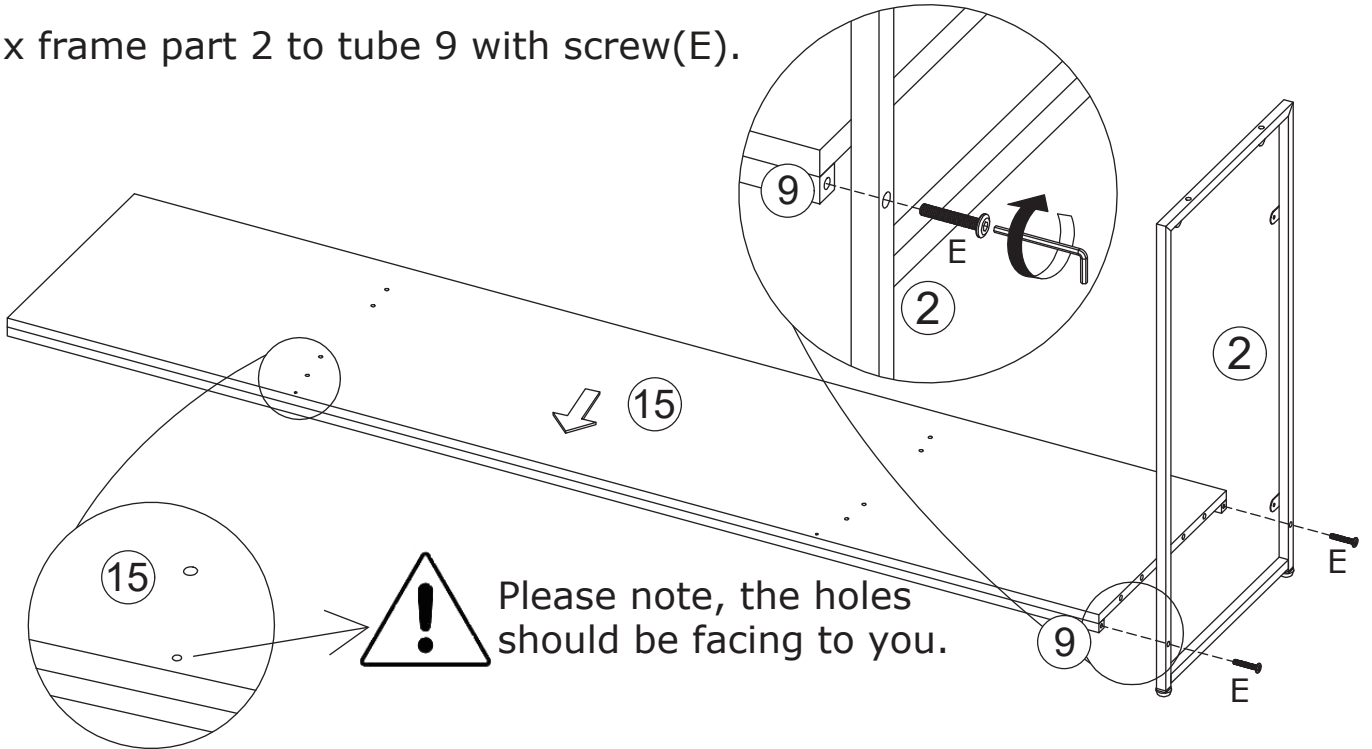


9

E x 2  
CRG0635A

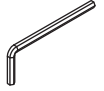


Fix frame part 2 to tube 9 with screw(E).

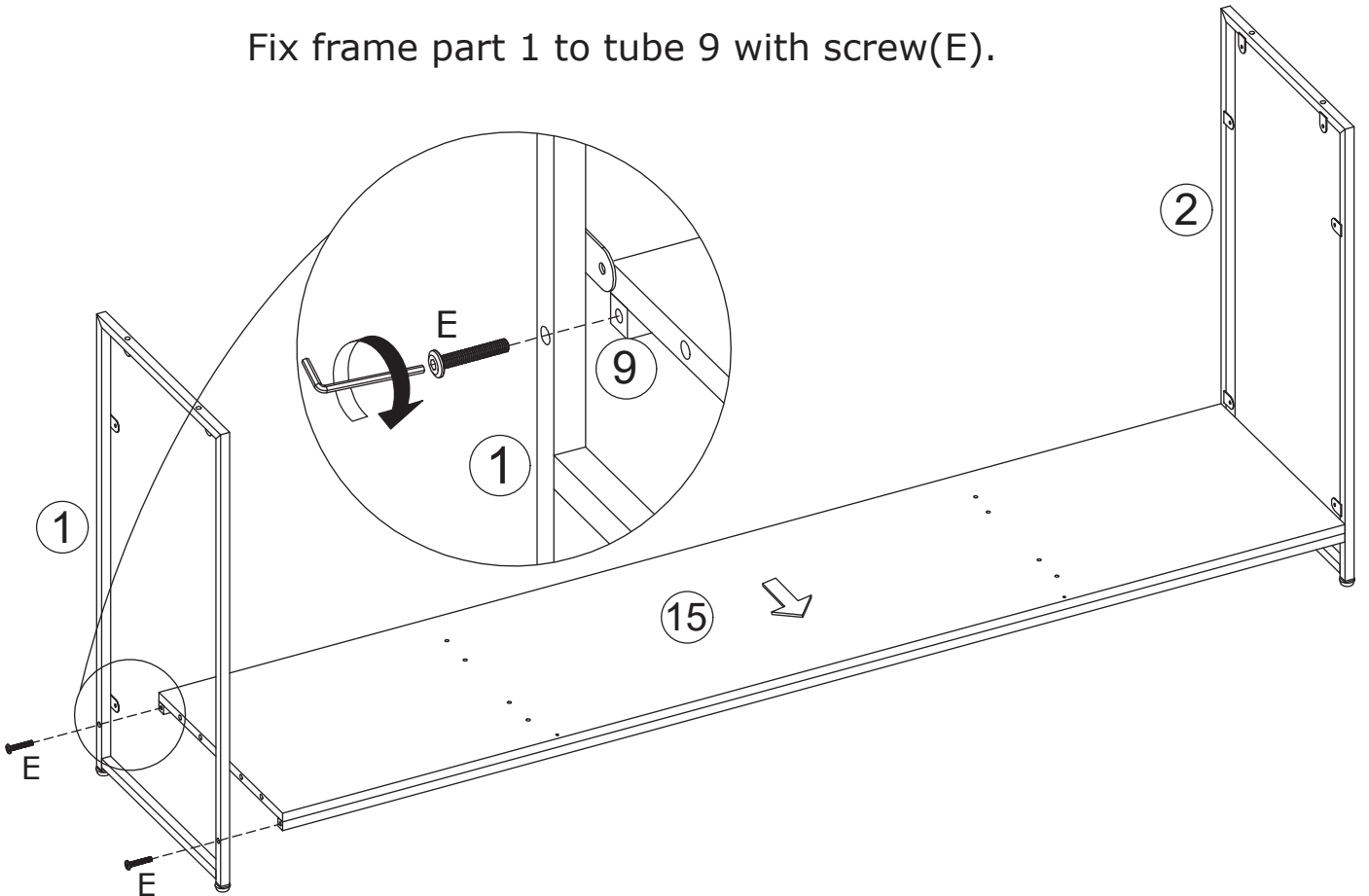


10

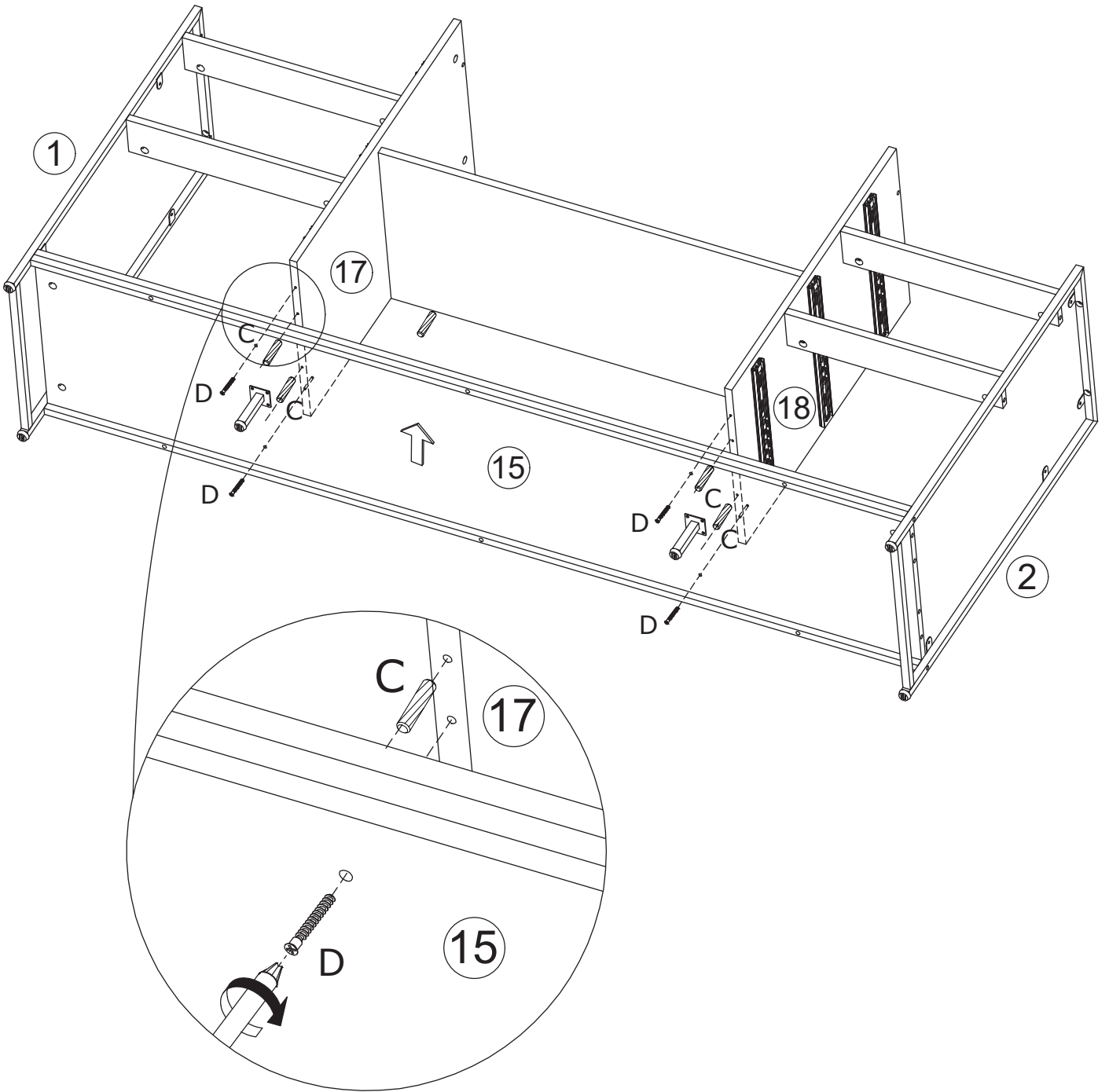
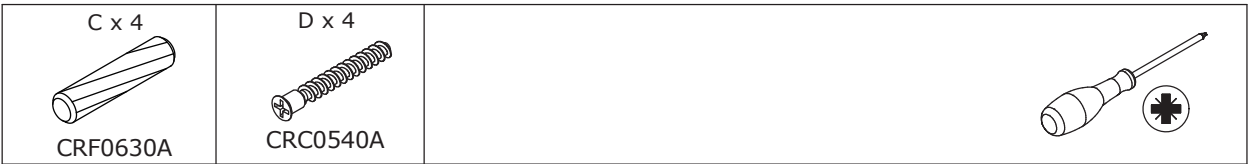
E x 2  
CRG0635A



Fix frame part 1 to tube 9 with screw(E).



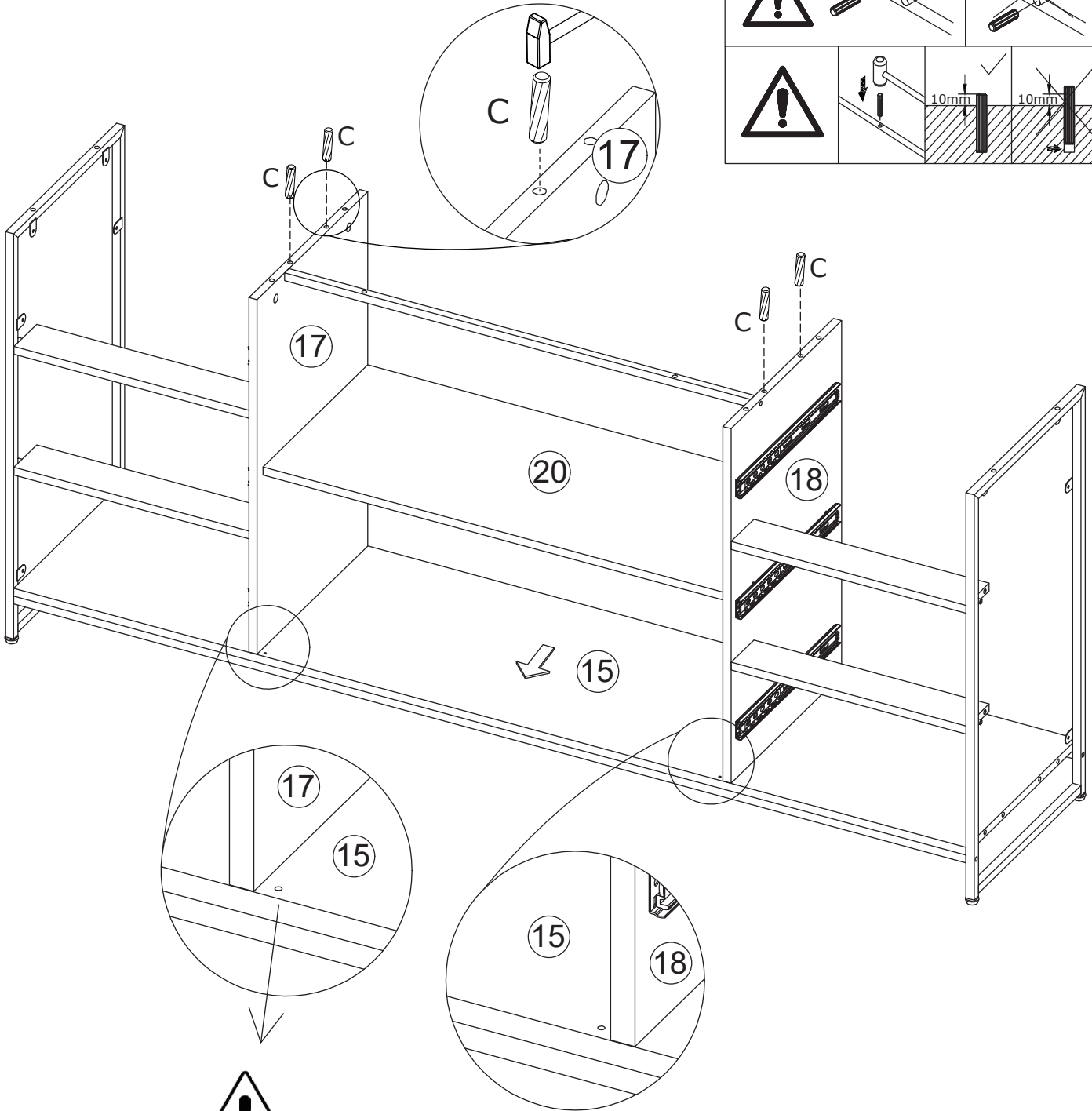
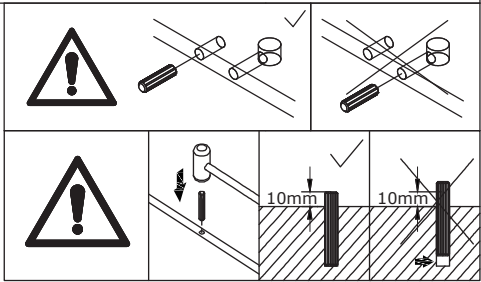
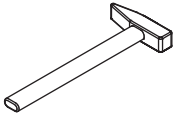
11



Attach board 17 and 18 to board 15, using wooden dowel(C),and fix with screw(D) as shown.

12

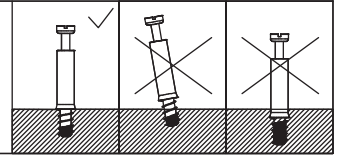
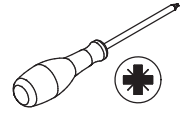
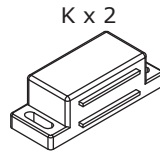
C x 4  
CRF0630A



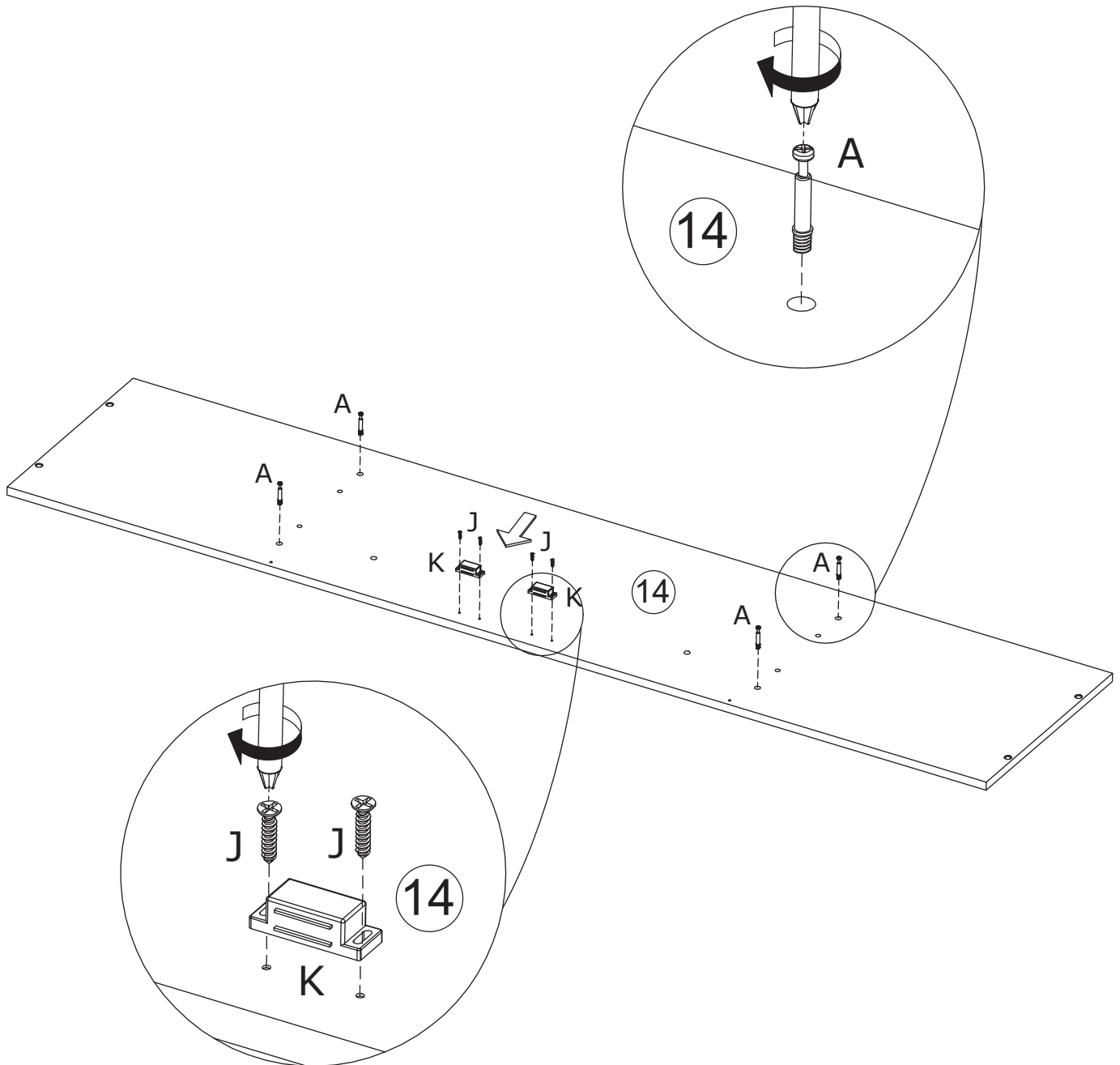
Please note, the holes should be facing to you.

Insert wooden dowel(C) into board 17 and 18 at first.

# 13



Screw eccentric rod(A) into board 14 as shown.  
Fix part(K) to board 14 with screw(J) as shown.



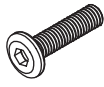
# 14

B x 4



CRB1595A

F x 2

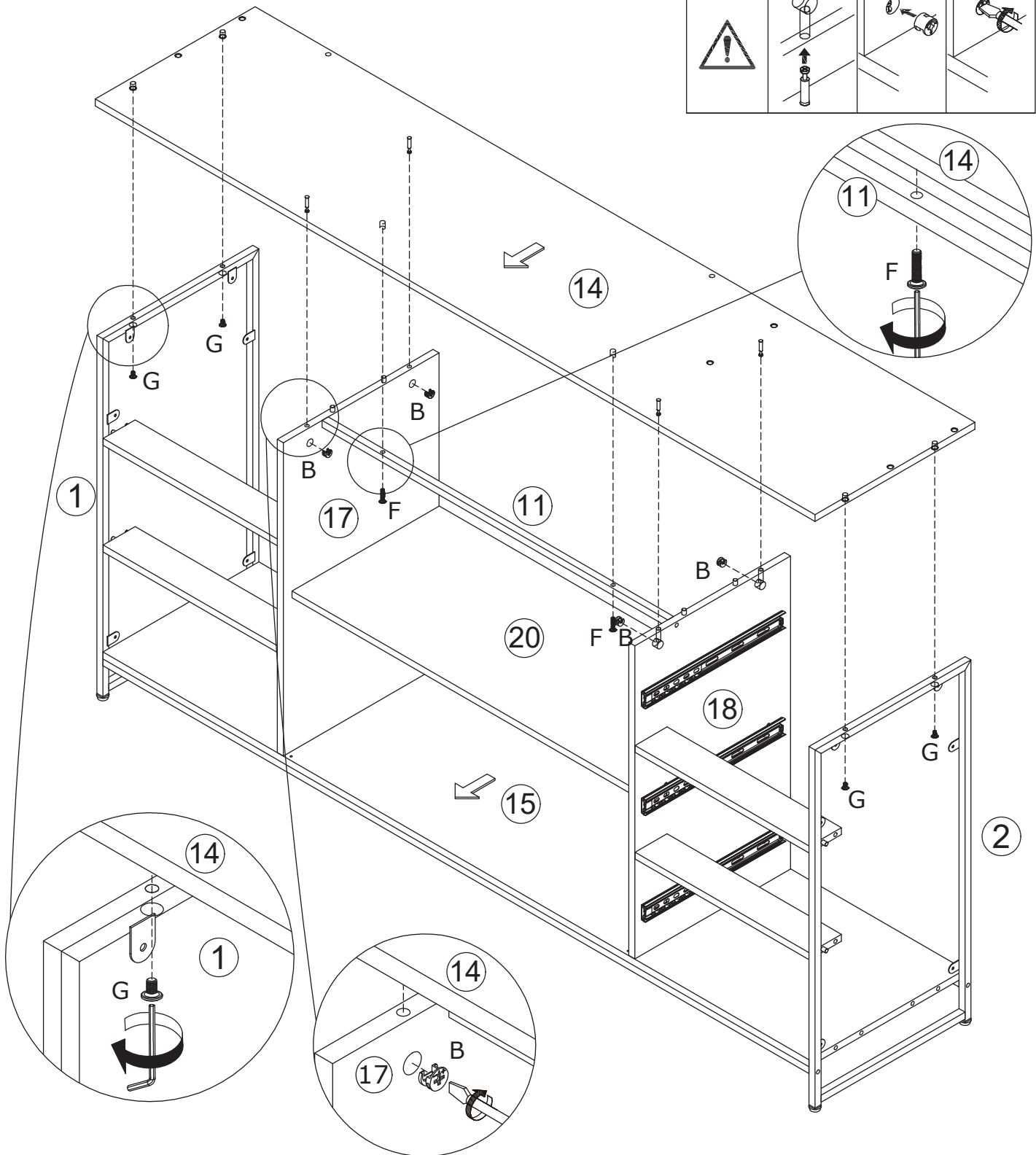
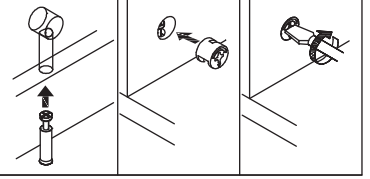
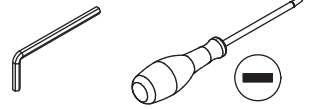


CRG0625A

G x 4



CRG0612A



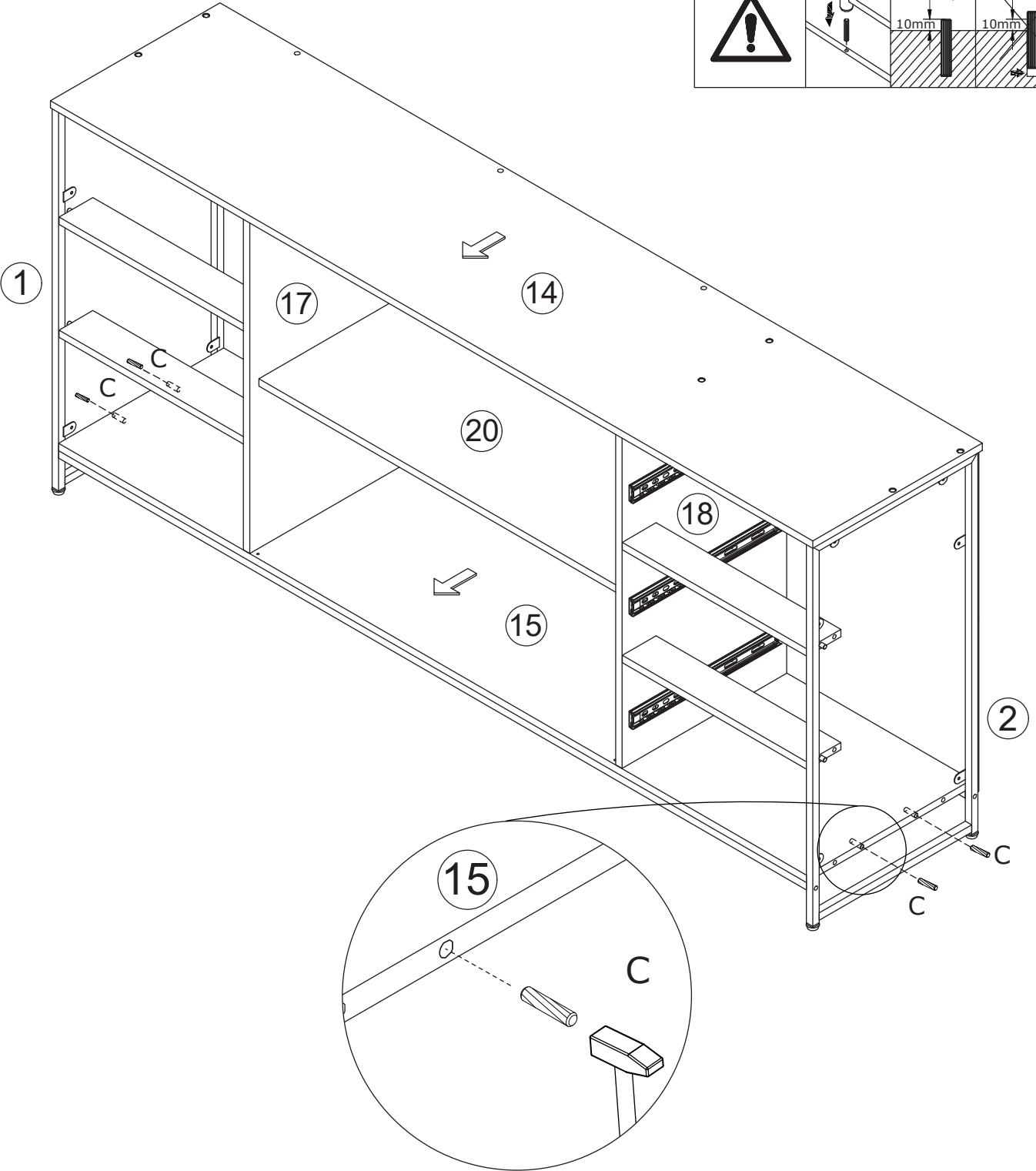
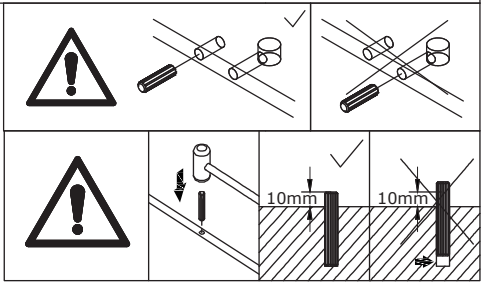
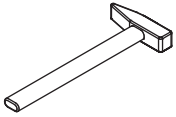
Attach board 14 to the top, add cam lock(B) into board 17 and 18, turn clockwise to tighten as shown.

Fix board 14 to frame part 1 and 2 with screw(G) as shown.

Fix board 14 to tube 11 with screw(F) as shown.

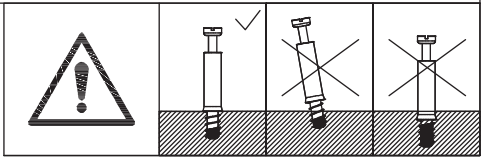
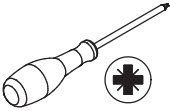
15

C x 4  
CRF0630A

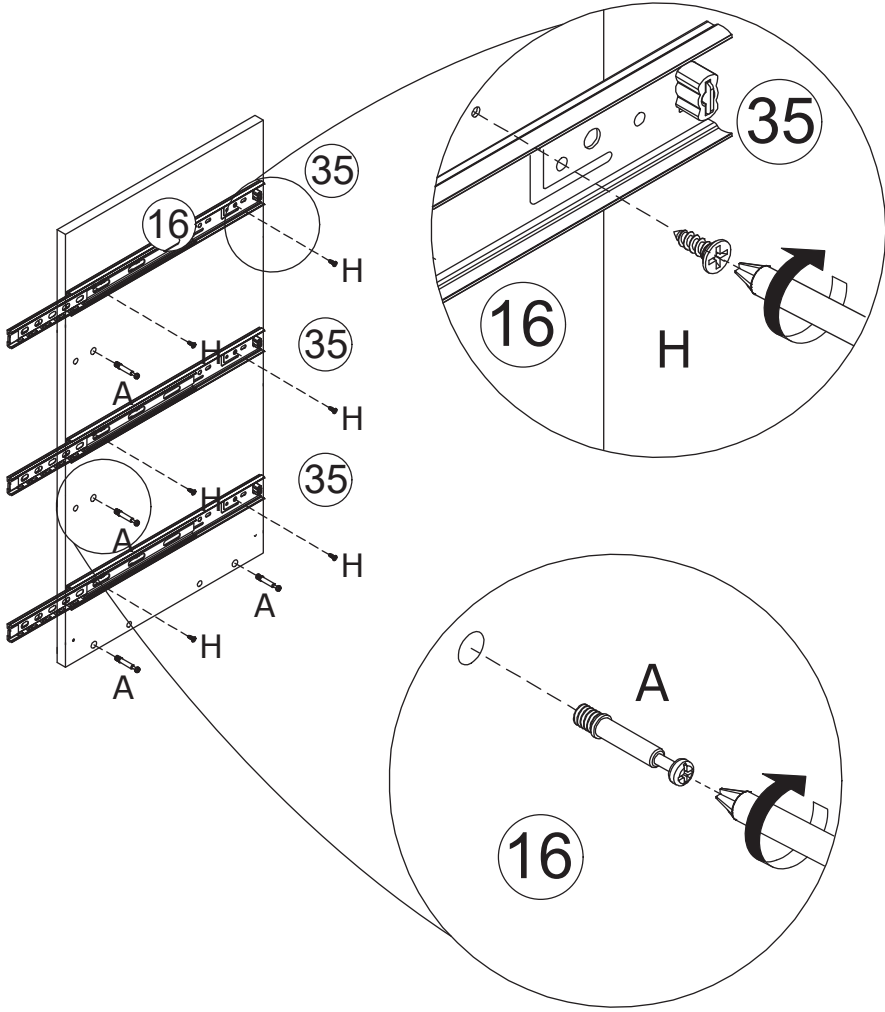
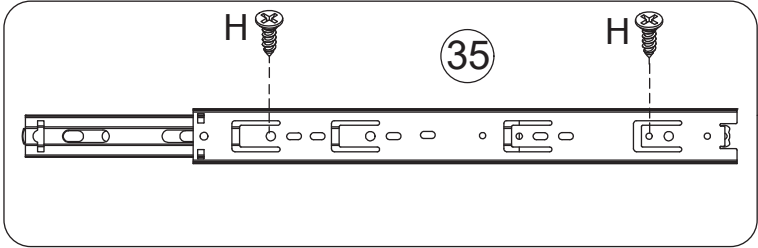


Insert wooden dowel(C) into both sides of board 15 at first.

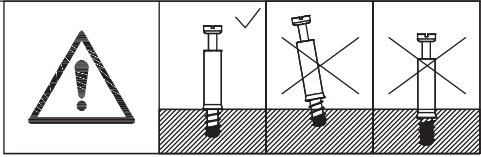
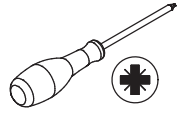
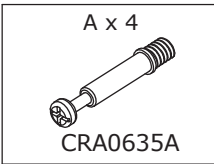
16



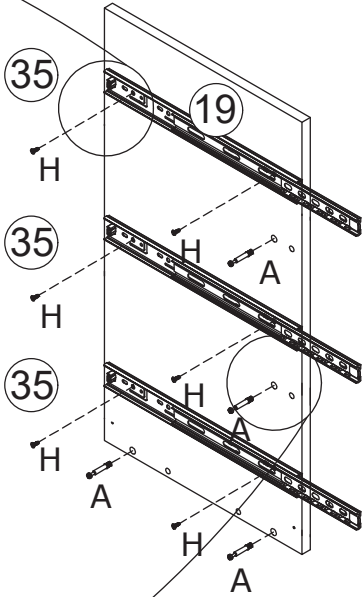
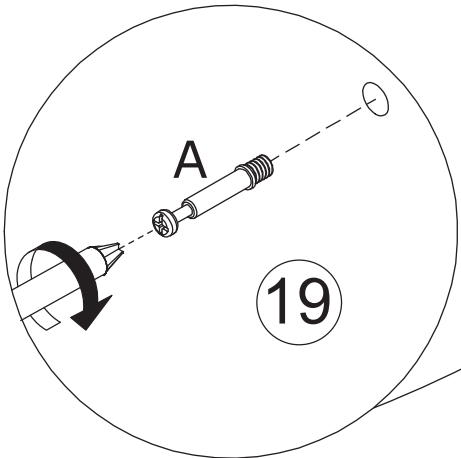
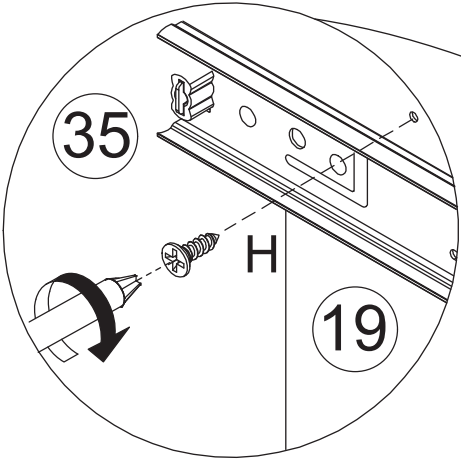
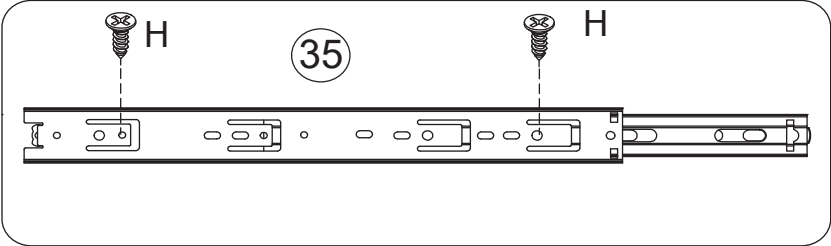
Fix slide rail 35 to board 16 with screw(H) as shown.  
Screw eccentric rod(A) into board 16.



17



Fix slide rail 35 to board 19 with screw(H) as shown.  
Screw eccentric rod(A) into board 19.

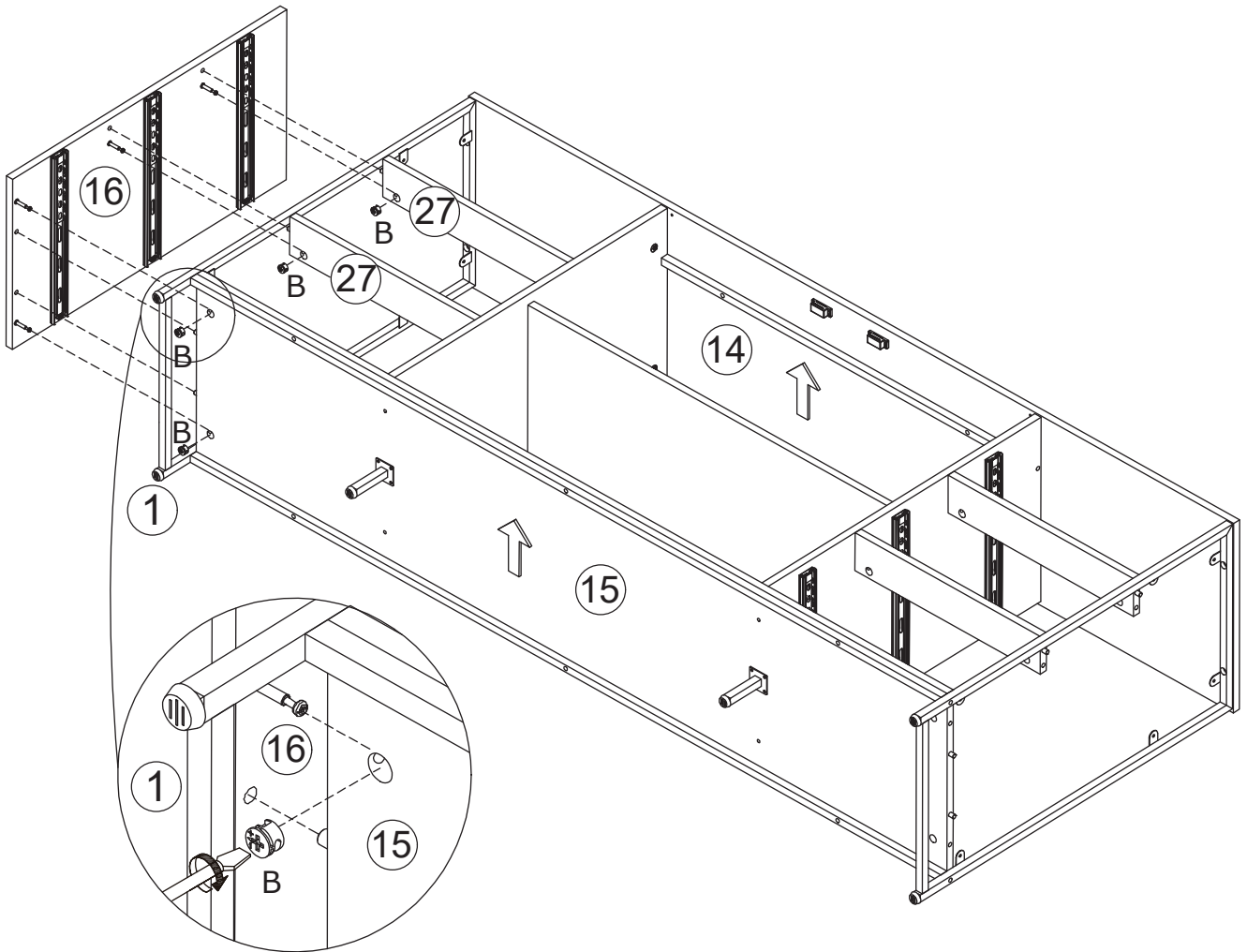
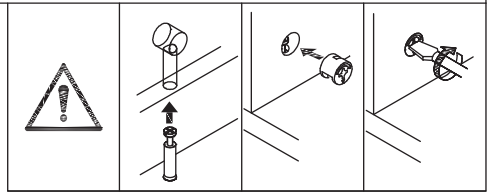
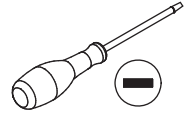


18

B x 4



CRB1595A



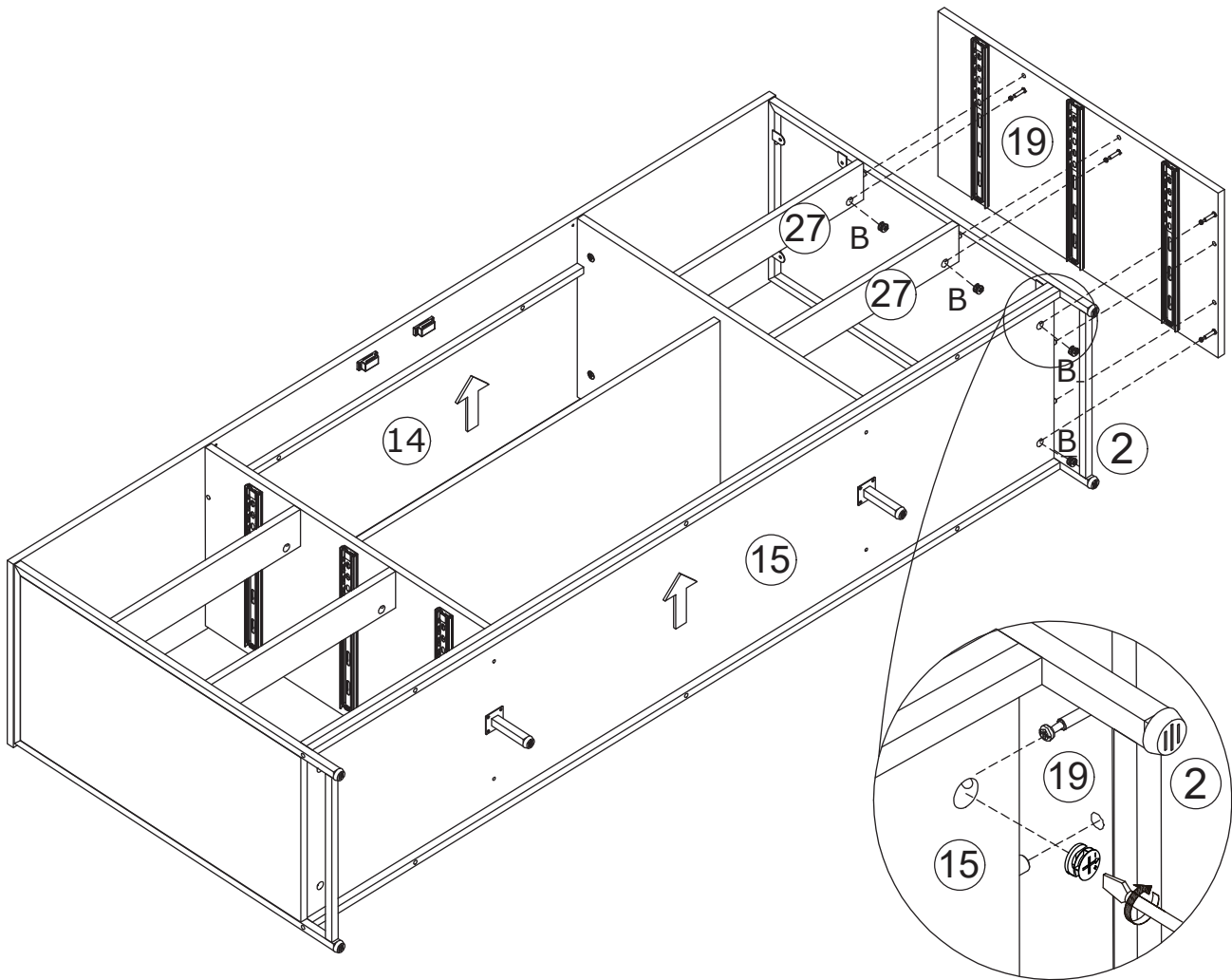
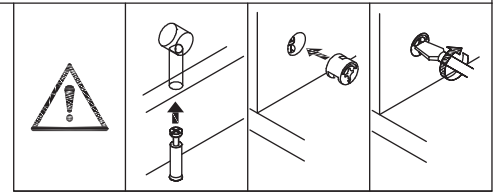
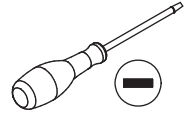
Attach board 16 to board 15 and 27, add cam lock(B) into board 15,27, turn clockwise to tighten as shown.

19

B x 4



CRB1595A



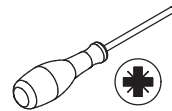
Attach board 19 to board 15 and 27, add cam lock(B) into board 15,27, turn clockwise to tighten as shown.

20

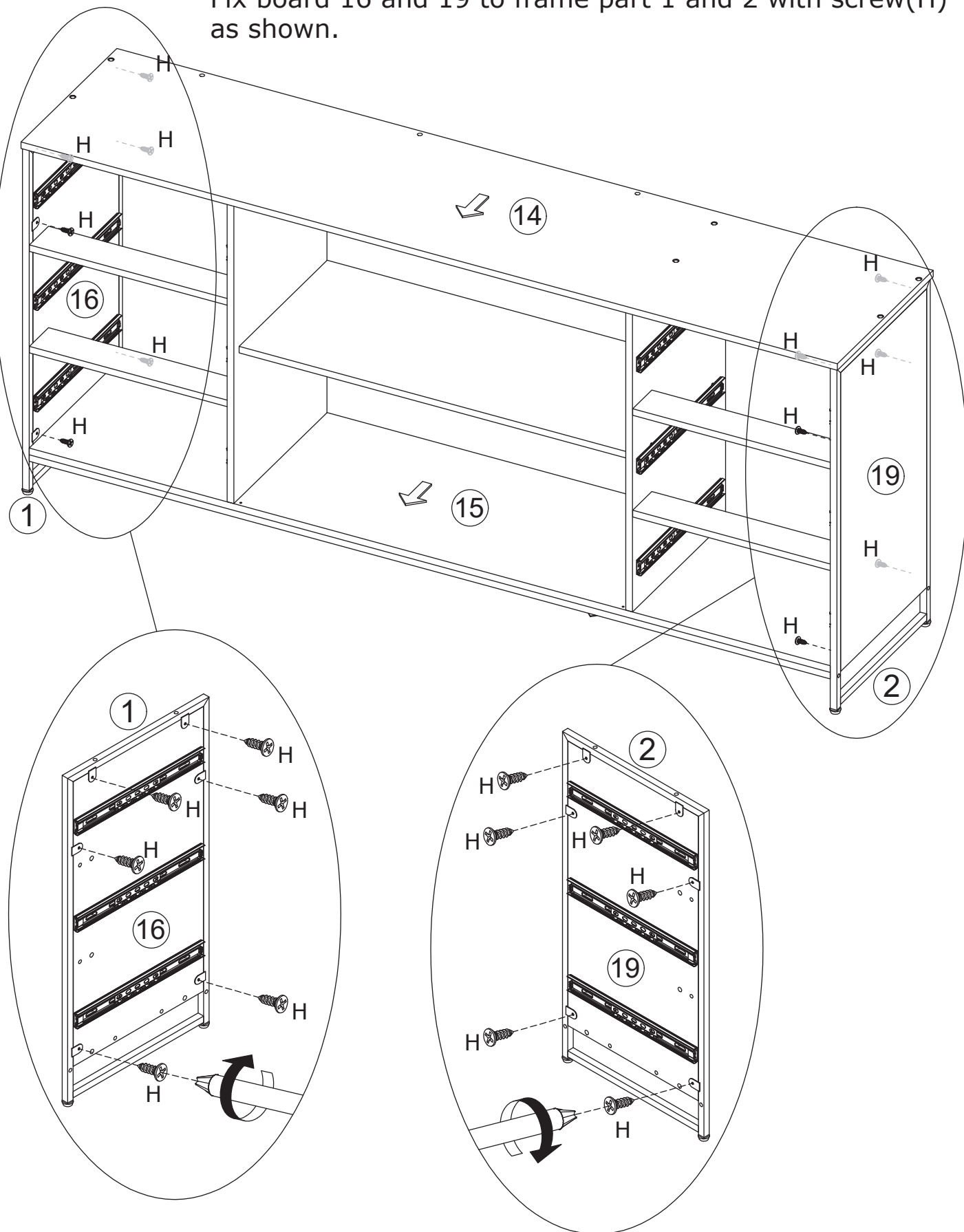
H x 12



CRD3512A

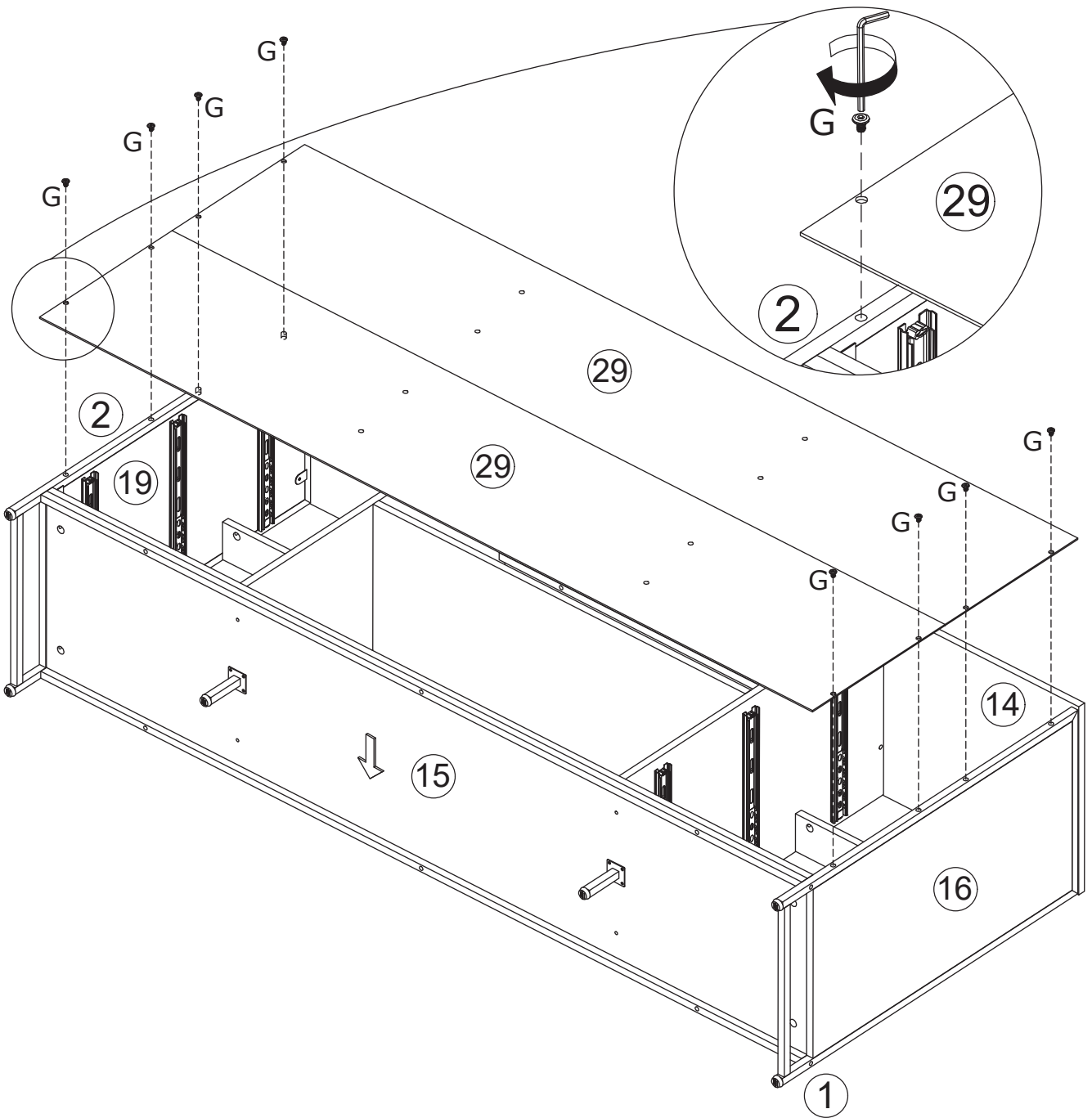


Fix board 16 and 19 to frame part 1 and 2 with screw(H) as shown.



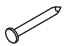
21


G x 8  CRG0612A	
--	---

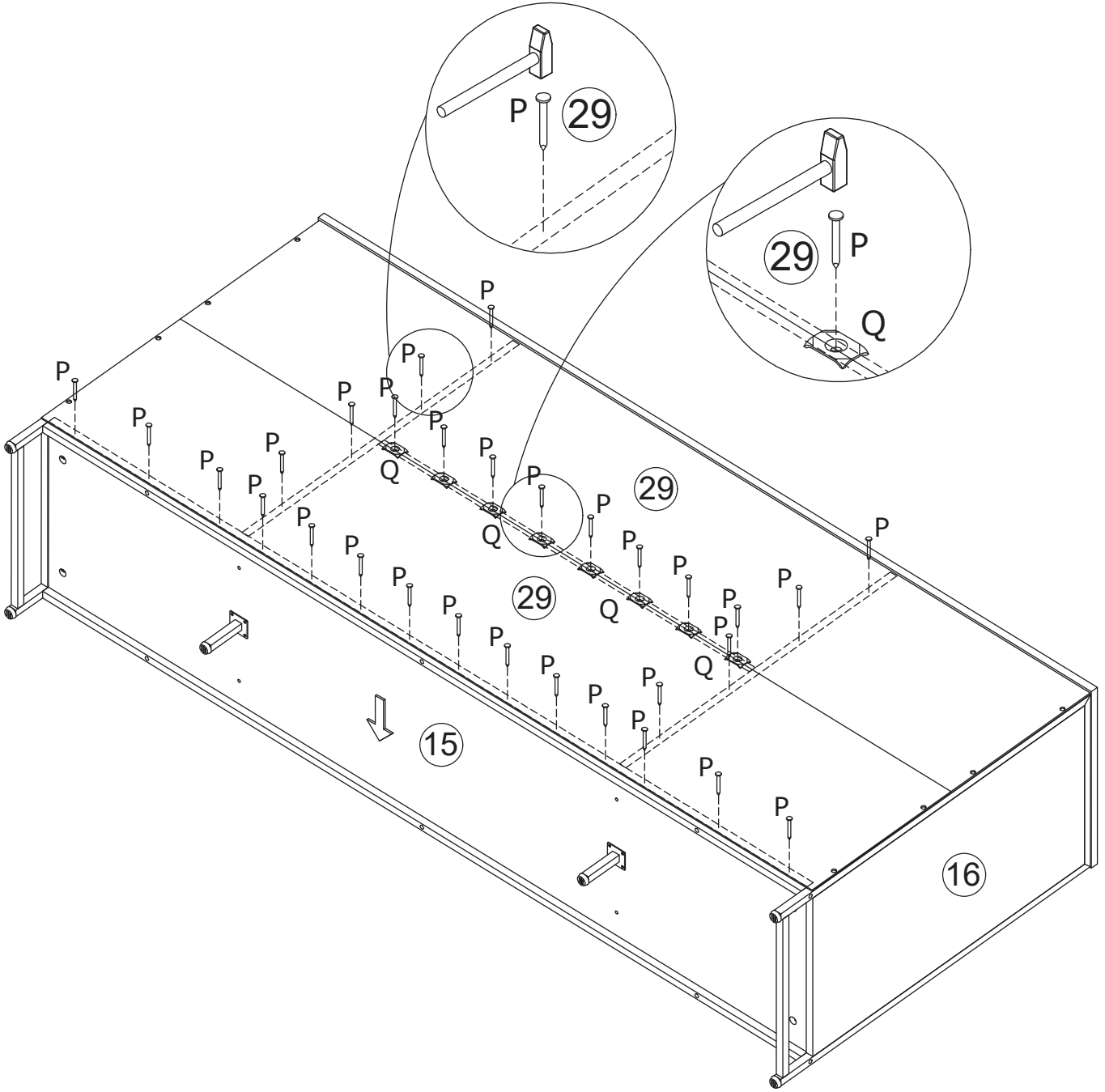


Fix back board 29 to cabinet with screw(G) as shown.

22

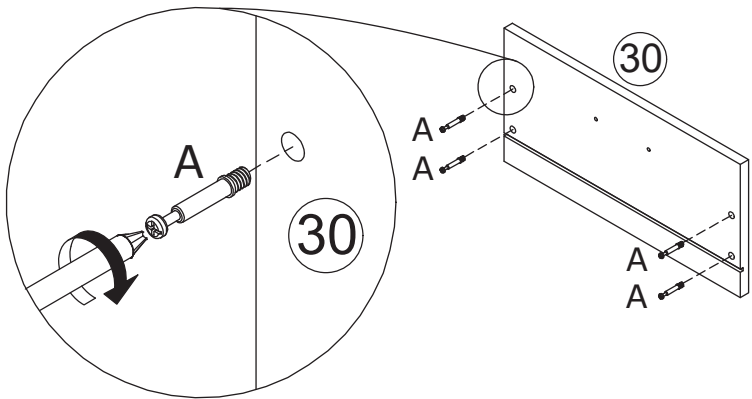
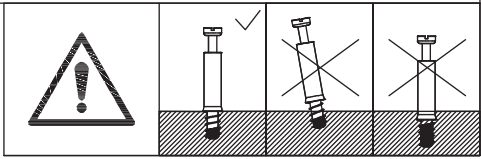
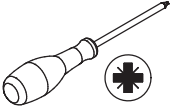
P x 30  
  
Ø2 x 16 mm

Q x 8  




Reinforce back board 29 with nail(P) as shown.  
Use iron sheet(Q) to connect two board 29, and fix with nail(P).

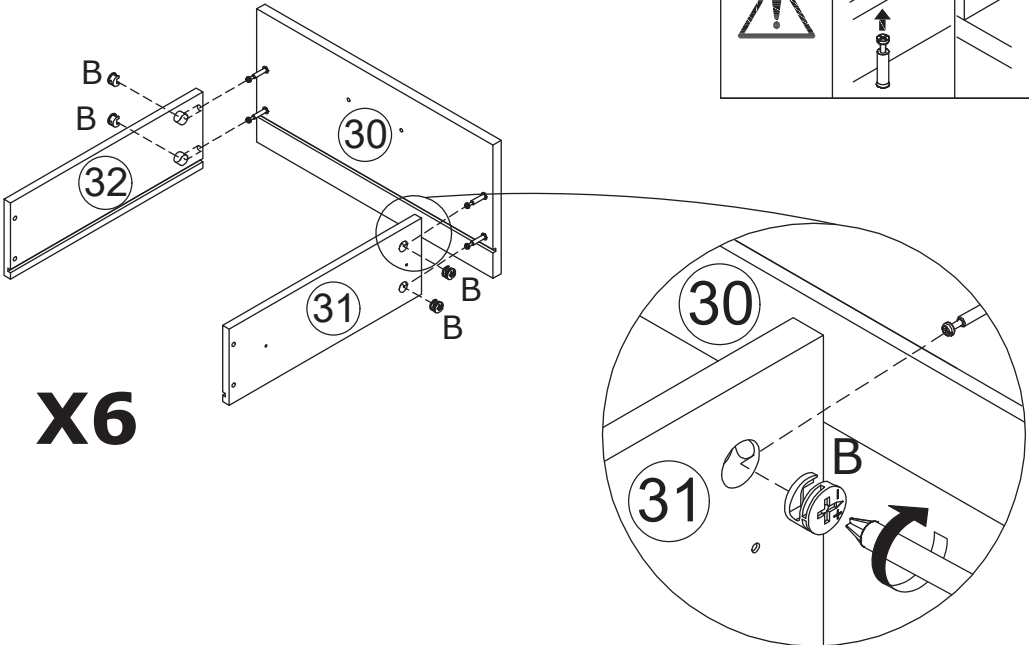
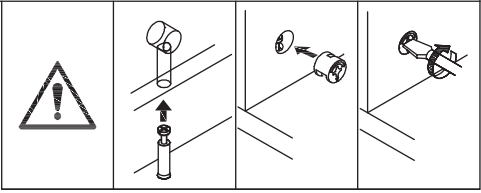
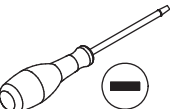
23



**X6**

Screw eccentric rod(A) into board 30.

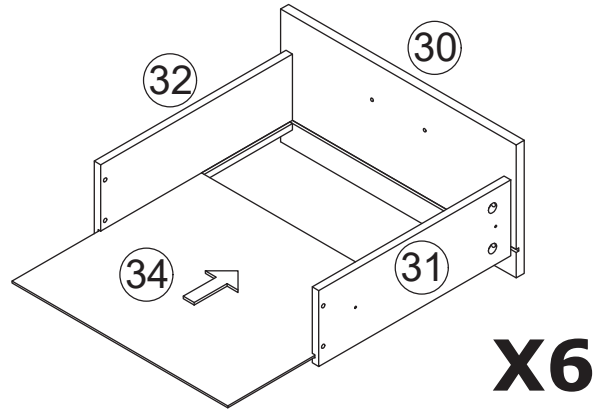
24



**X6**

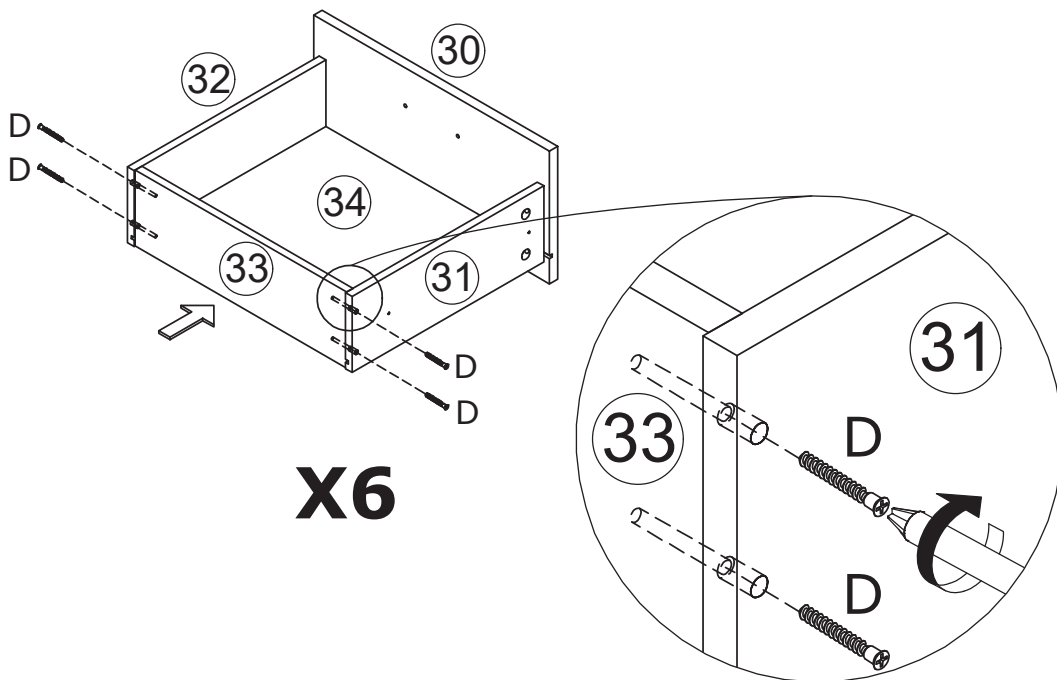
Attach board 30 to board 31 and 32, add cam lock(B), turn clockwise to tighten as shown.

25



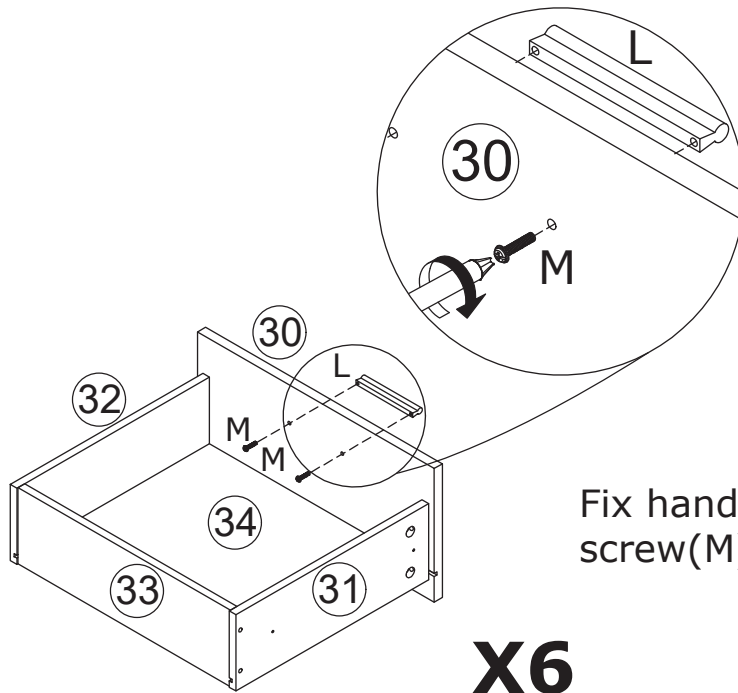
Insert bottom board 34 along grooves as shown.

26



Fix board 33 to board 31 and 32 with screw(D) as shown.

27

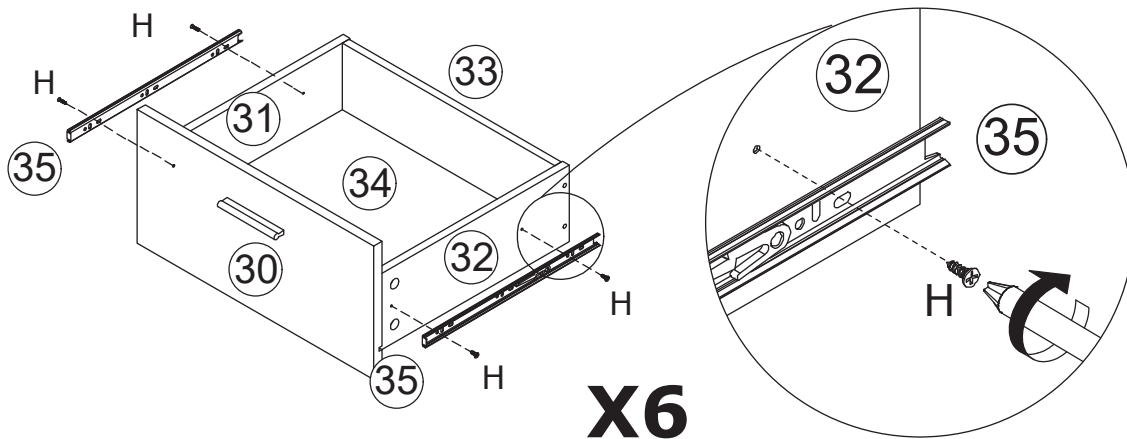
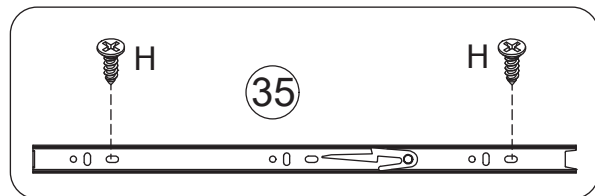


Fix handle(L) to board 30 with screw(M) as shown.

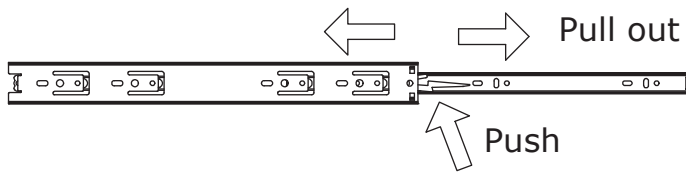
28



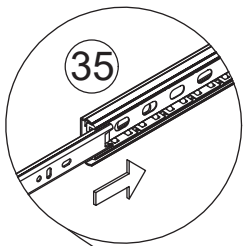
Fix runner 35 to board 31 and 32 with screw(H) as shown.



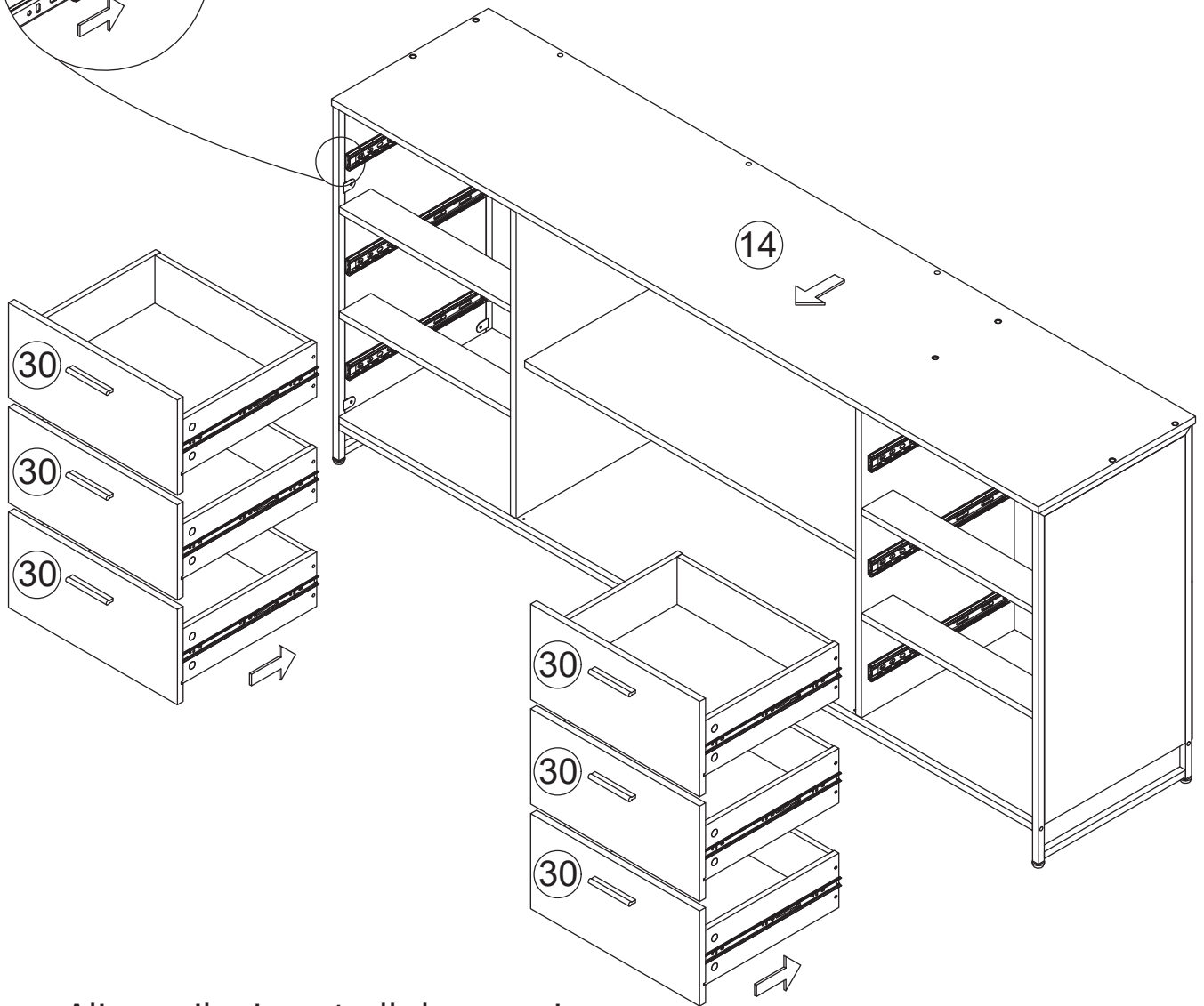
# 29



Disconnect the keyboard rail with the BLACK PLASTIC PART. It needs to be pulled down to disconnect the runners.

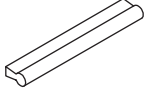


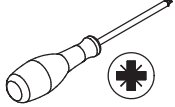


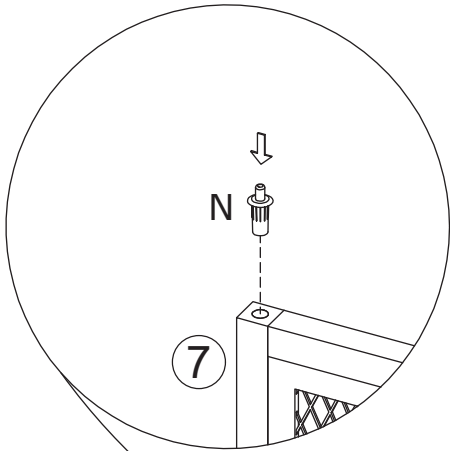
Move the movable iron piece with the small iron ball to the front and align the mounting rail.



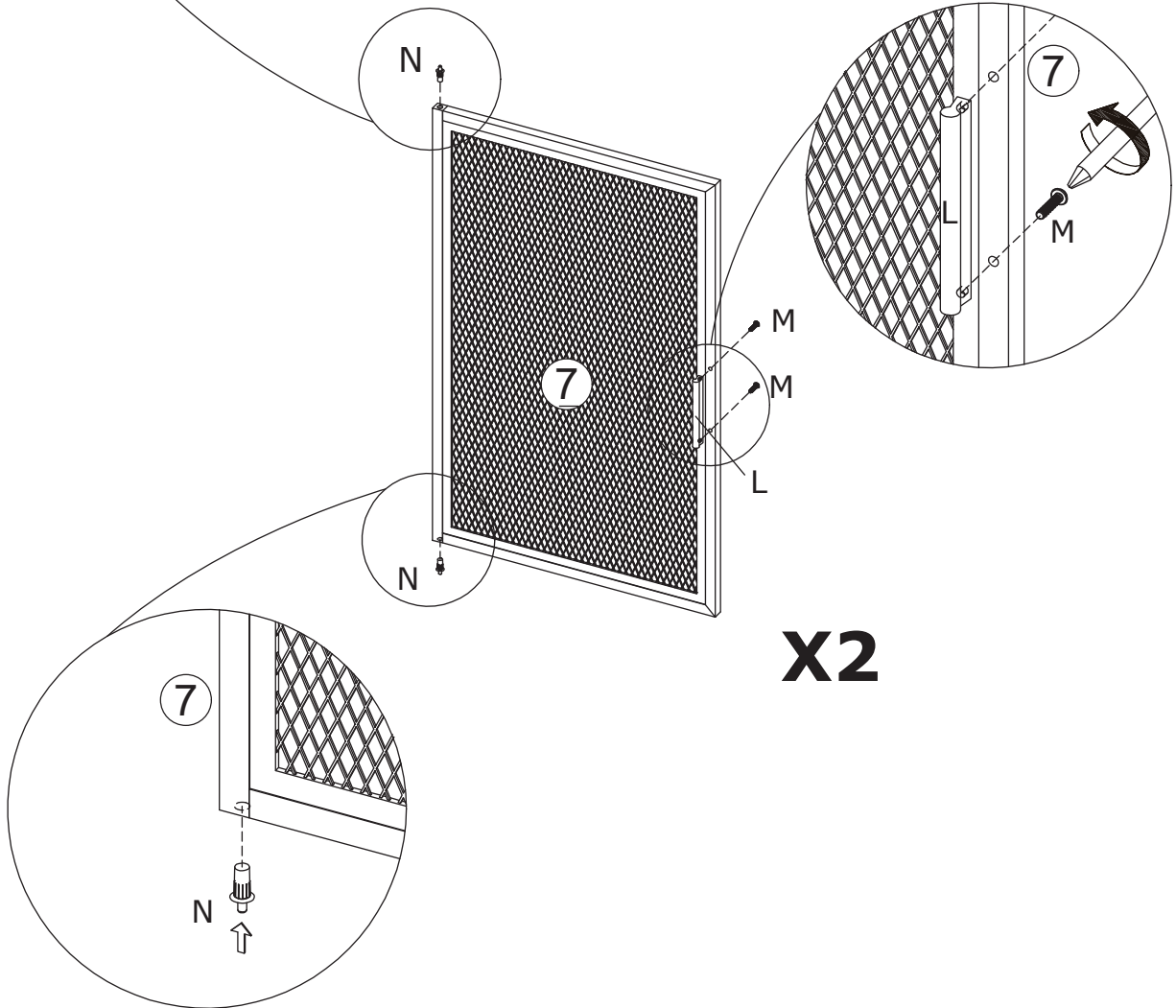
Align rails, insert all drawers in.

30

<p>L x 2</p> 	<p>M x 4</p>  <p>∅ 4 x 18 mm</p>	<p>N x 4</p> 	
--	---	--	---



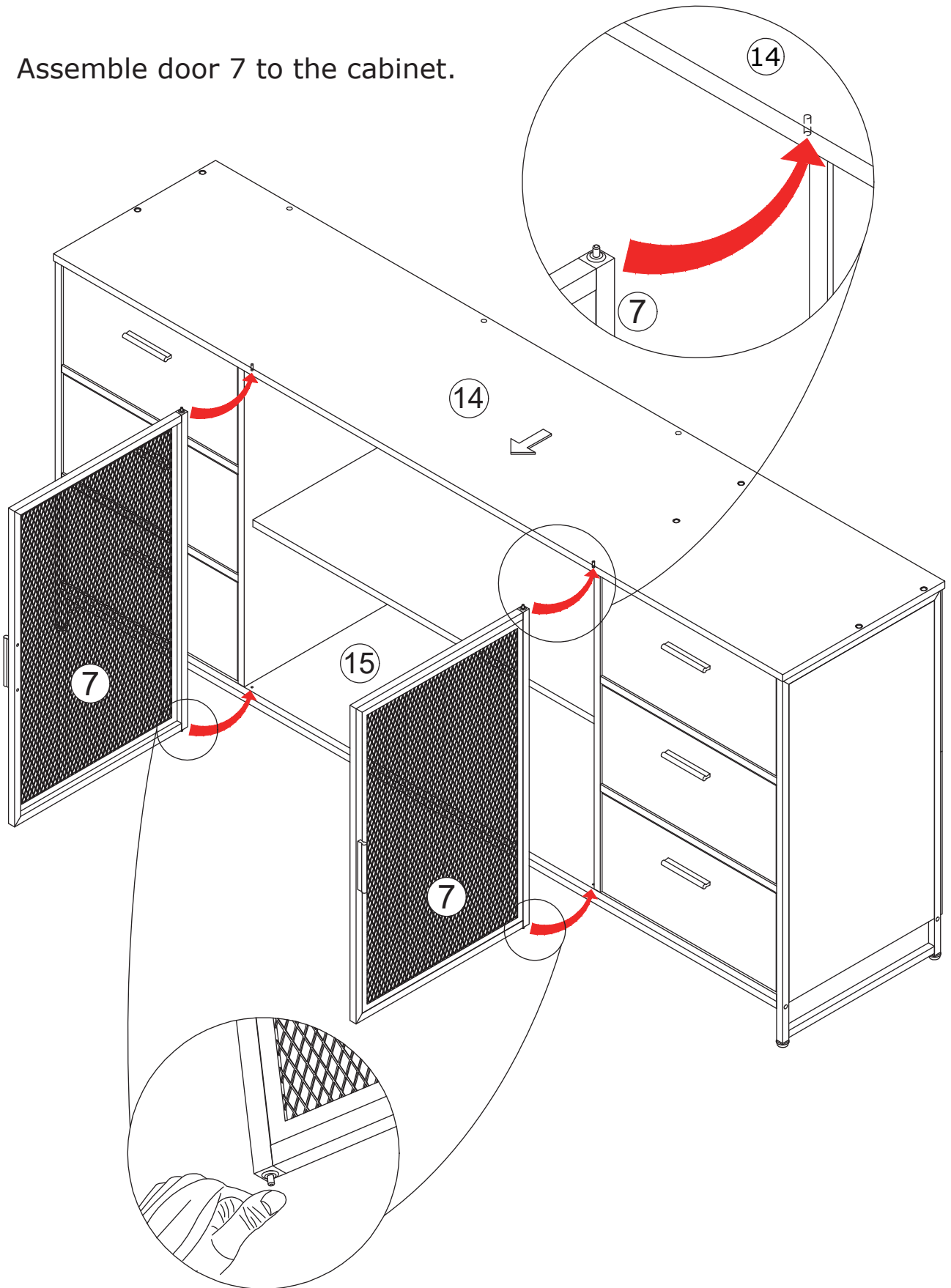
Fix handle(L) to board 7 with screw(M) as shown.  
Insert part(N) into board 7 as shown.



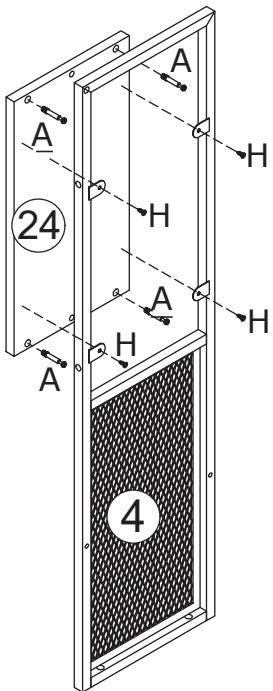
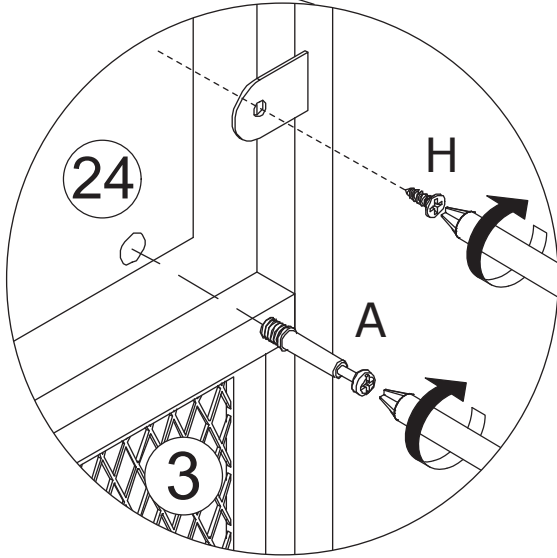
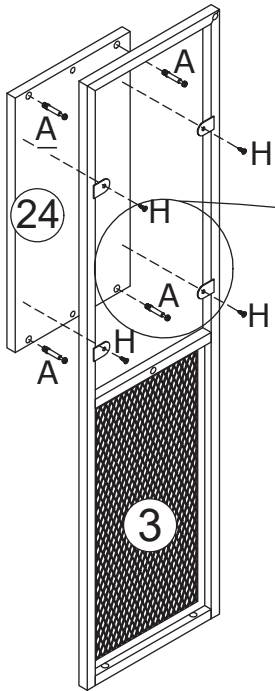
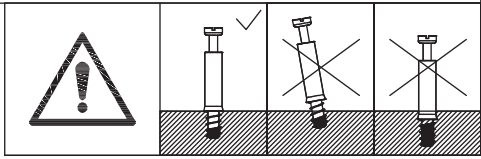
**X2**

31

Assemble door 7 to the cabinet.

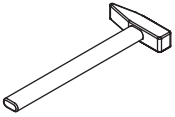
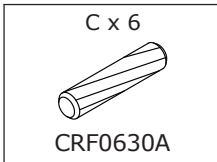


32

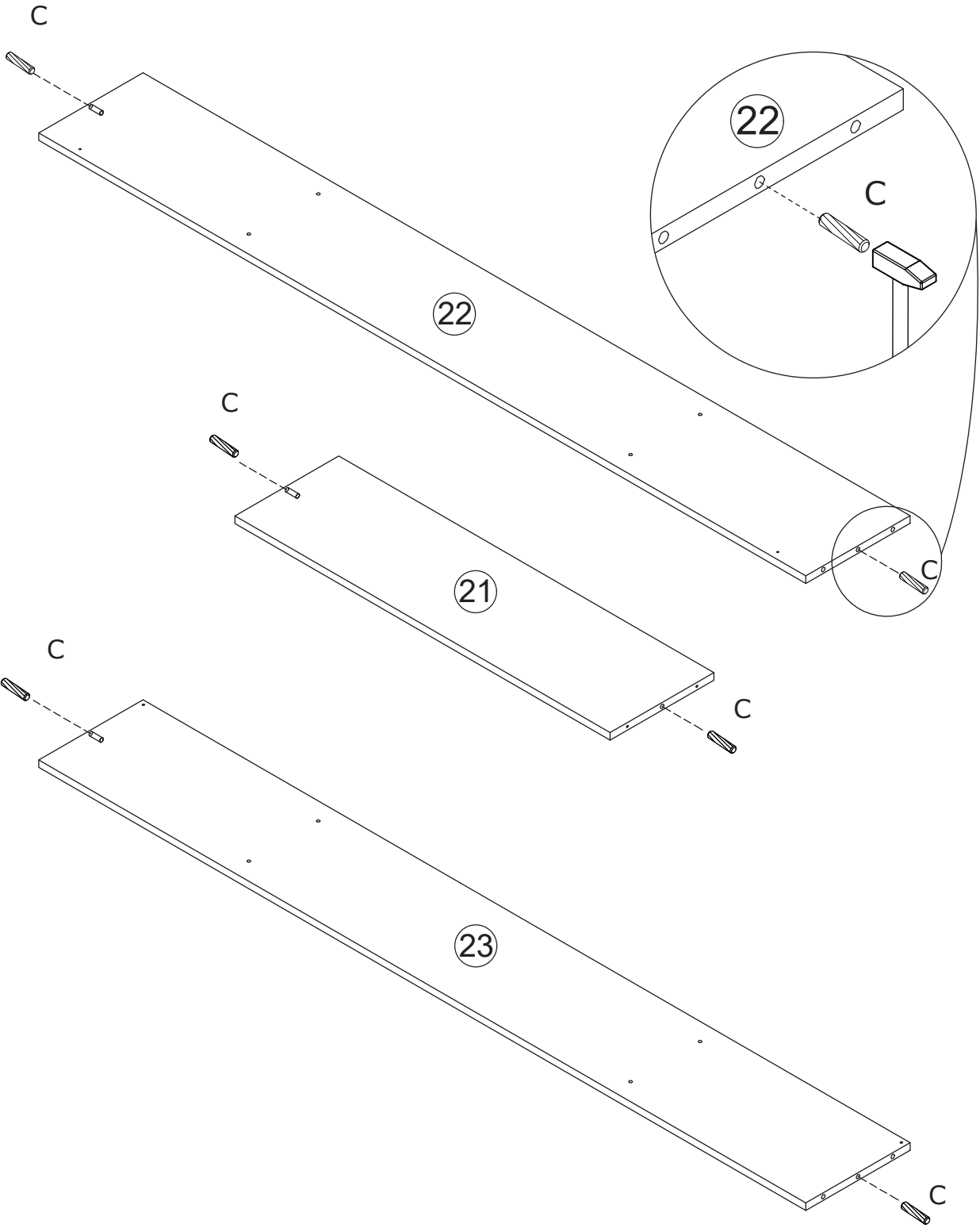
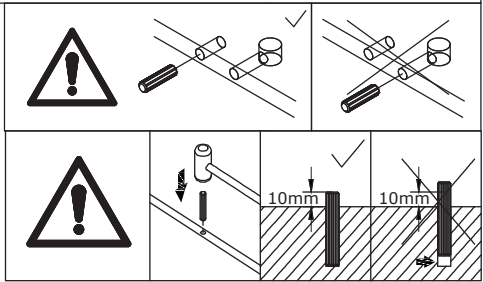


Screw eccentric rod(A) into board 24  
Attach board 24 to frame part 3 and 4,  
and fix with screw(H) as shown.

33



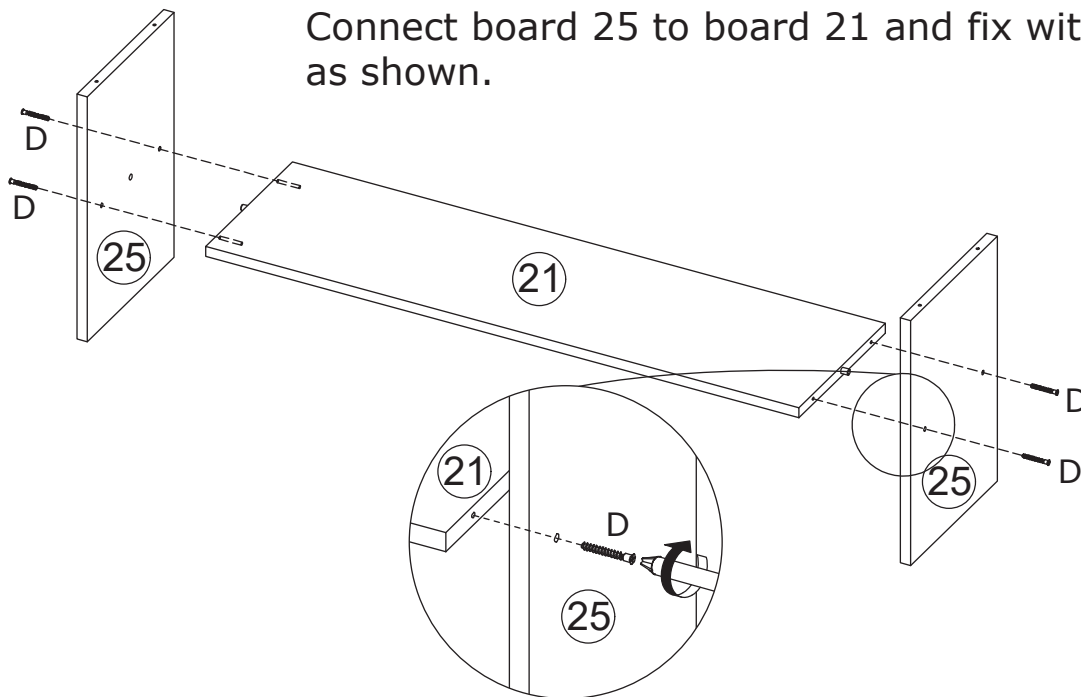
Insert wooden dowel(C) into board 21, 22 and 23 at first.



34

D x 4  CRC0540A		
--	--	---

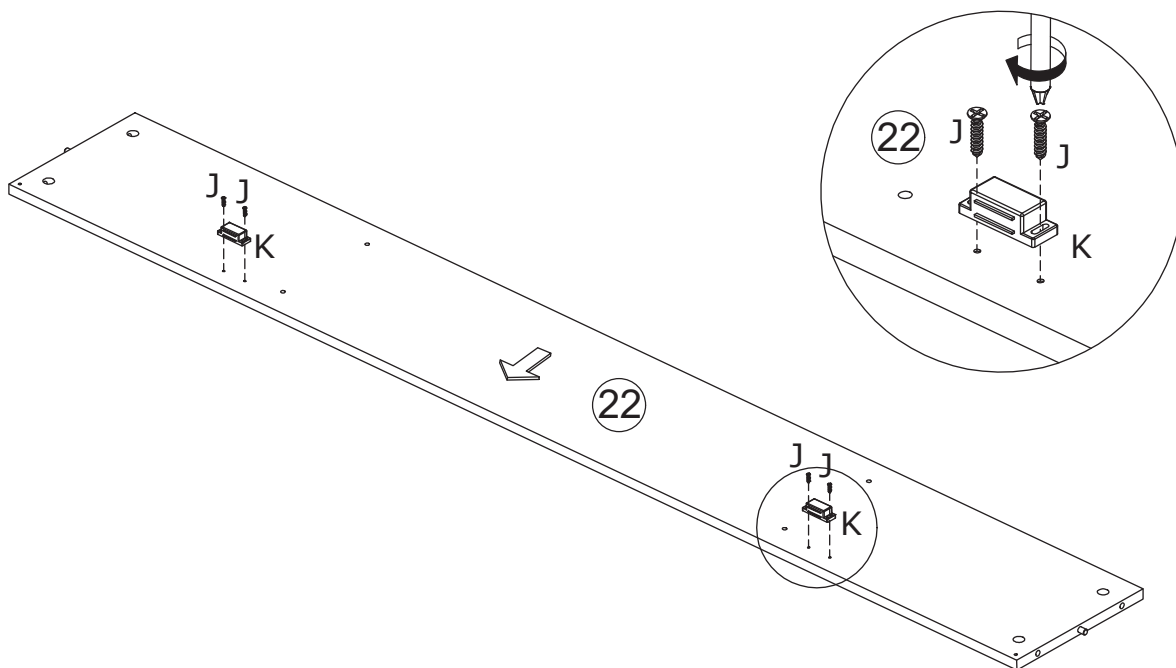
Connect board 25 to board 21 and fix with screw(D) as shown.



35

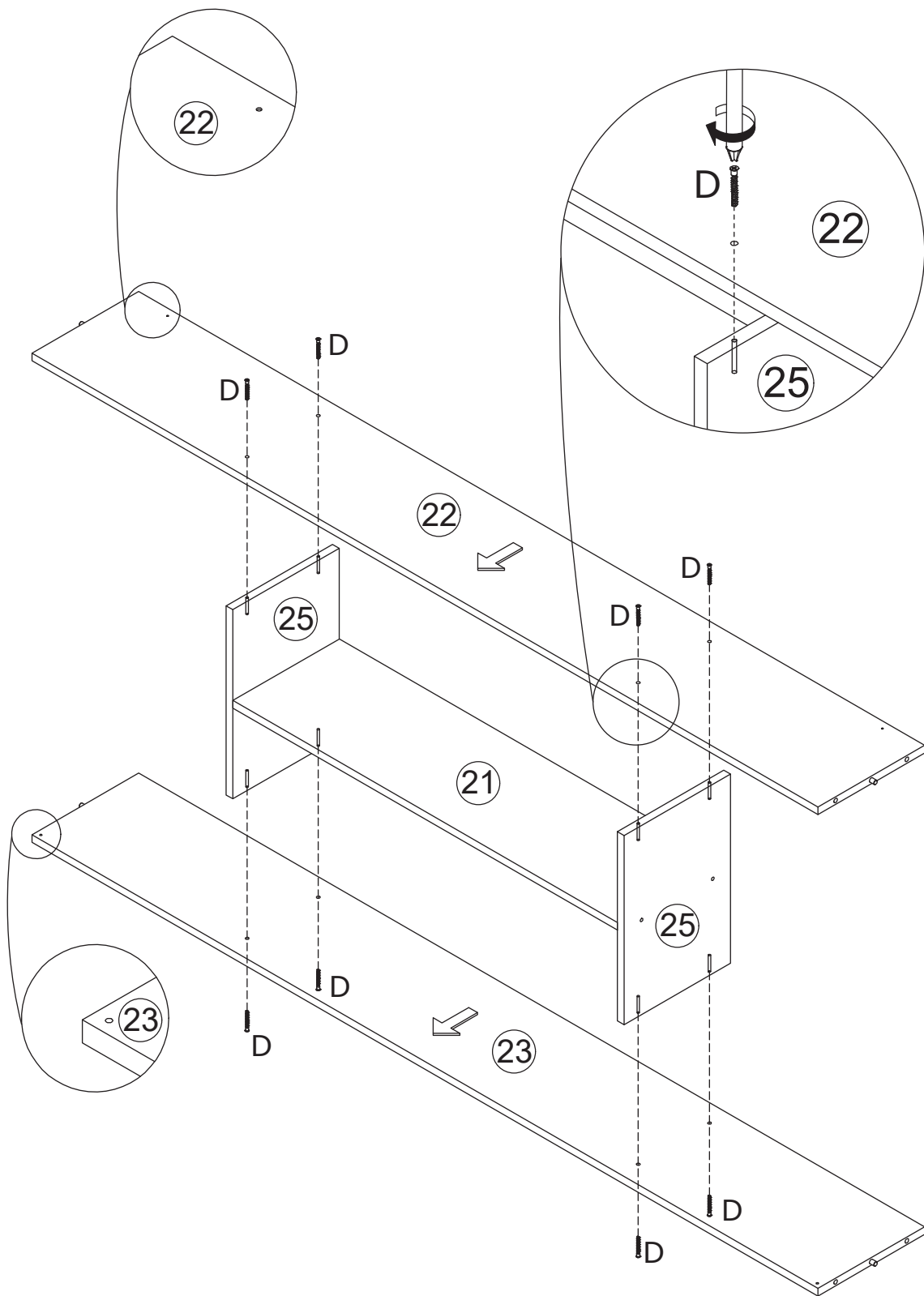
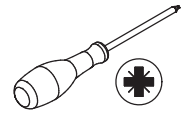
J x 4  CRD0314A	K x 2 	
--	--	---

Fix part(K) to board 22 with screw(J) as shown.



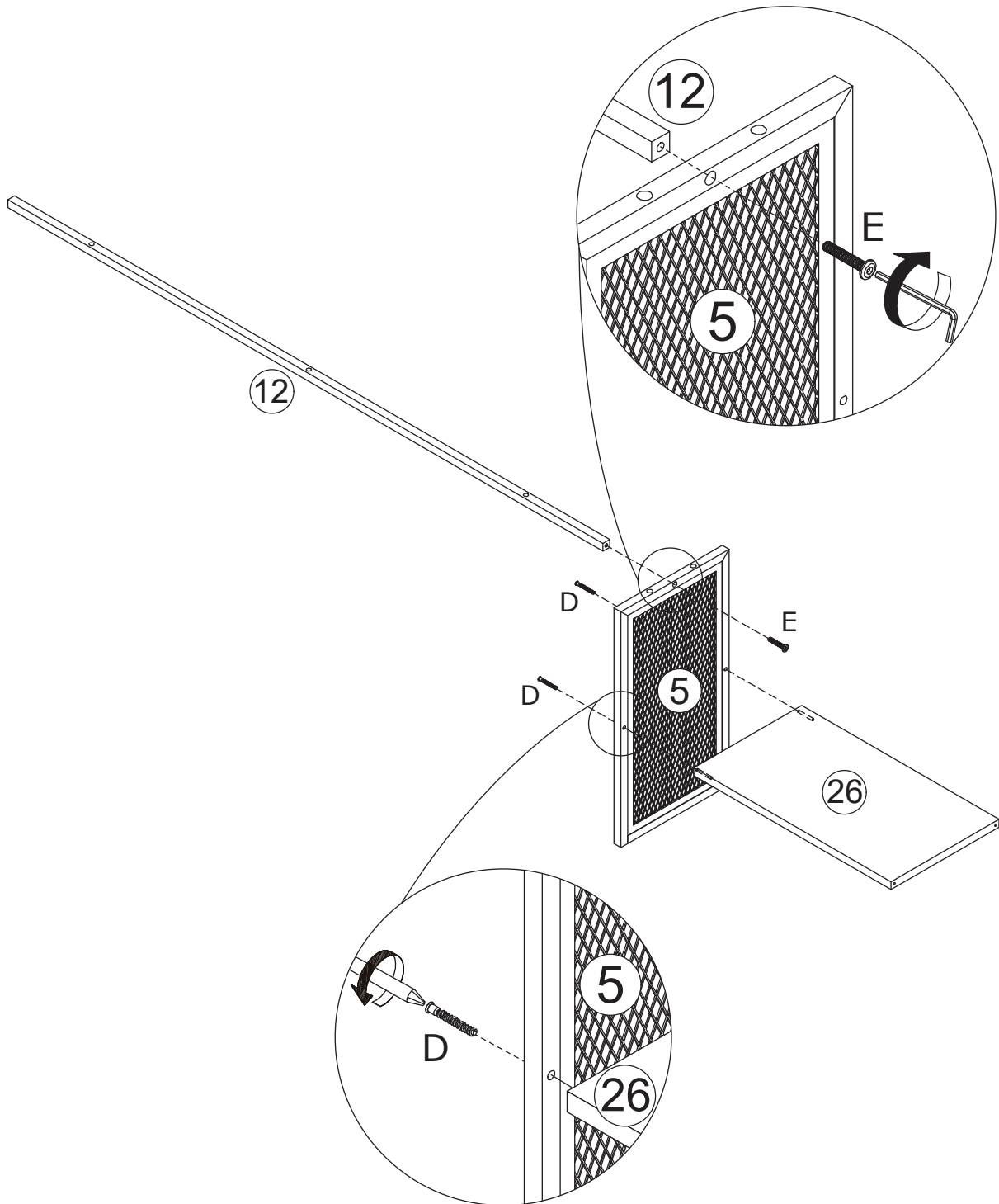
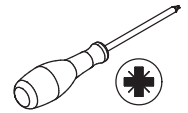
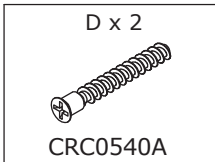
36

D x 8  
CRC0540A



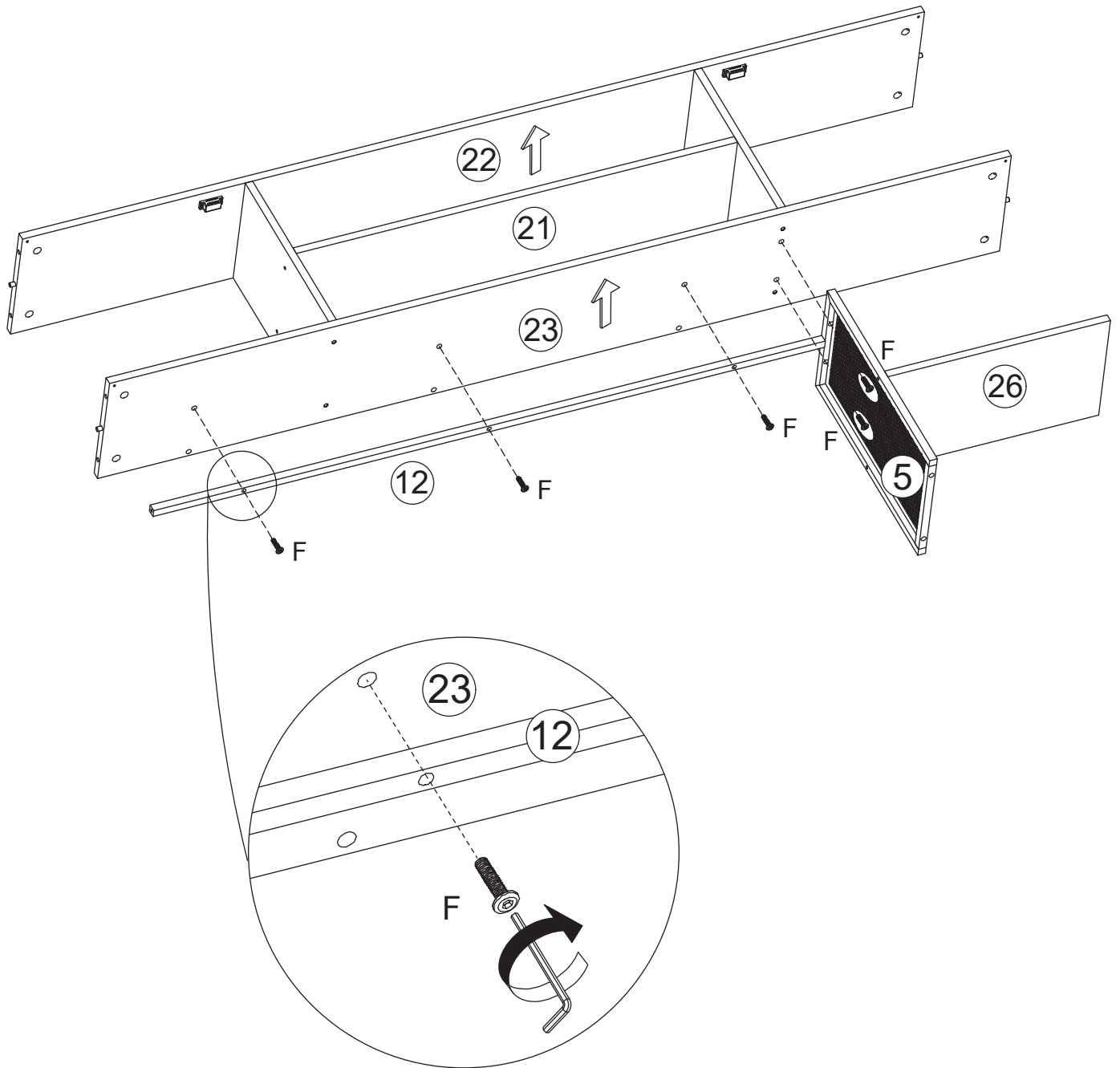
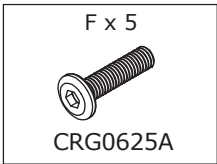
Attach board 22 and 23 to board 25, and fix with screw(D) as shown.

37





Fix board 26 to part 5 with screw(D).  
Fix tube 12 to part 5 with screw(E) as shown.

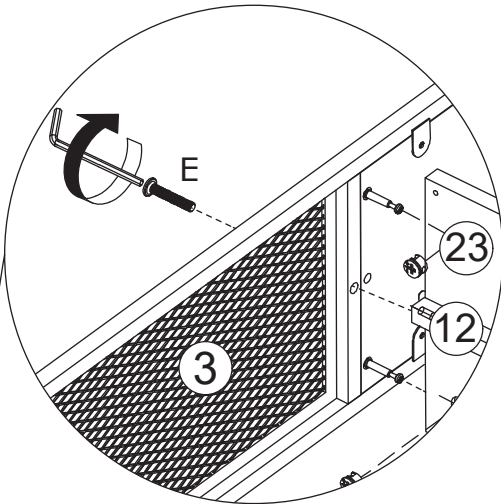
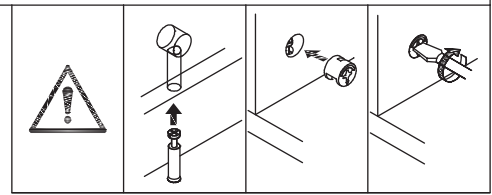
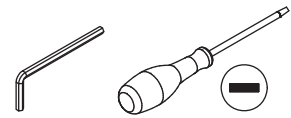
38



Attach the part to board 23, and fix with screw(F) as shown.

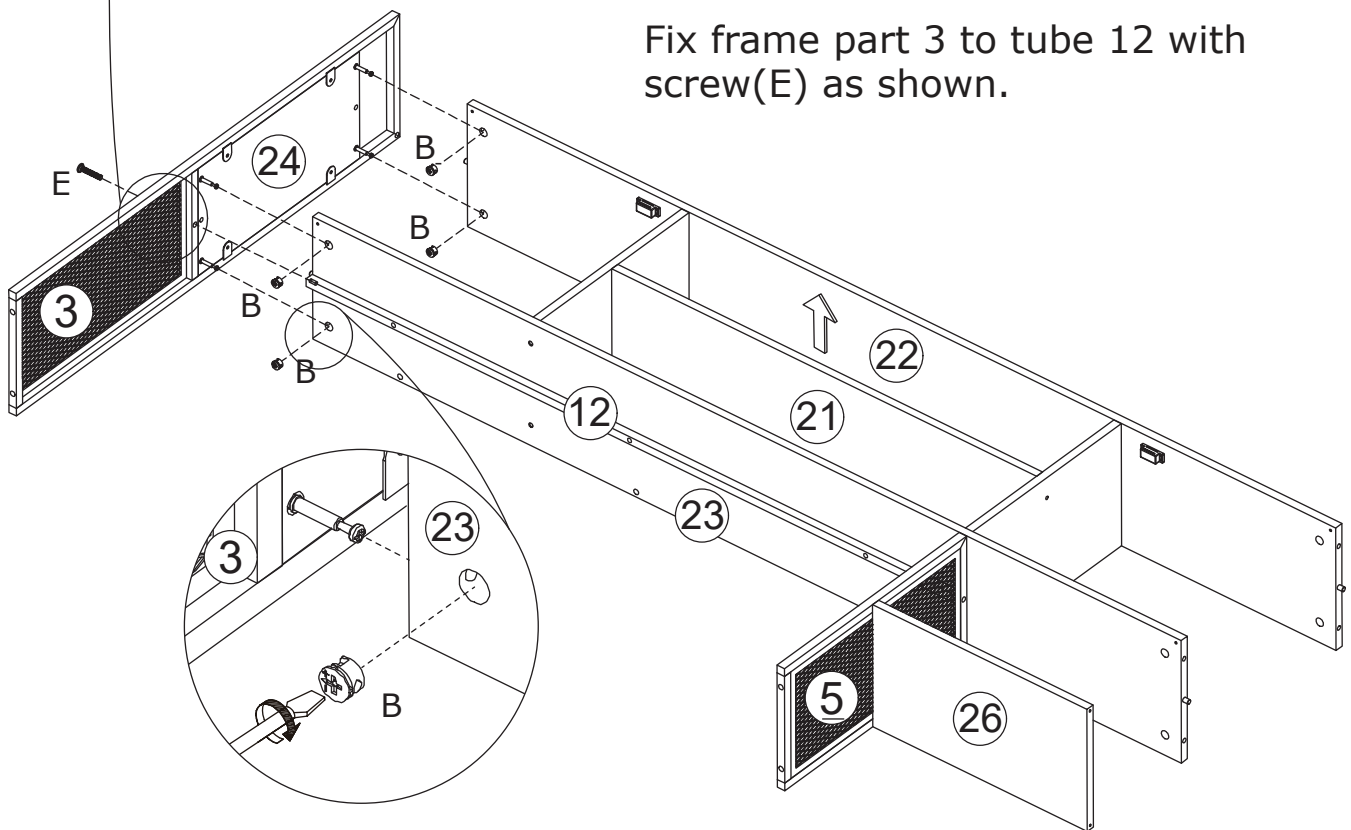
39

B x 4  CRB1595A	E x 1  CRG0635A
--	--

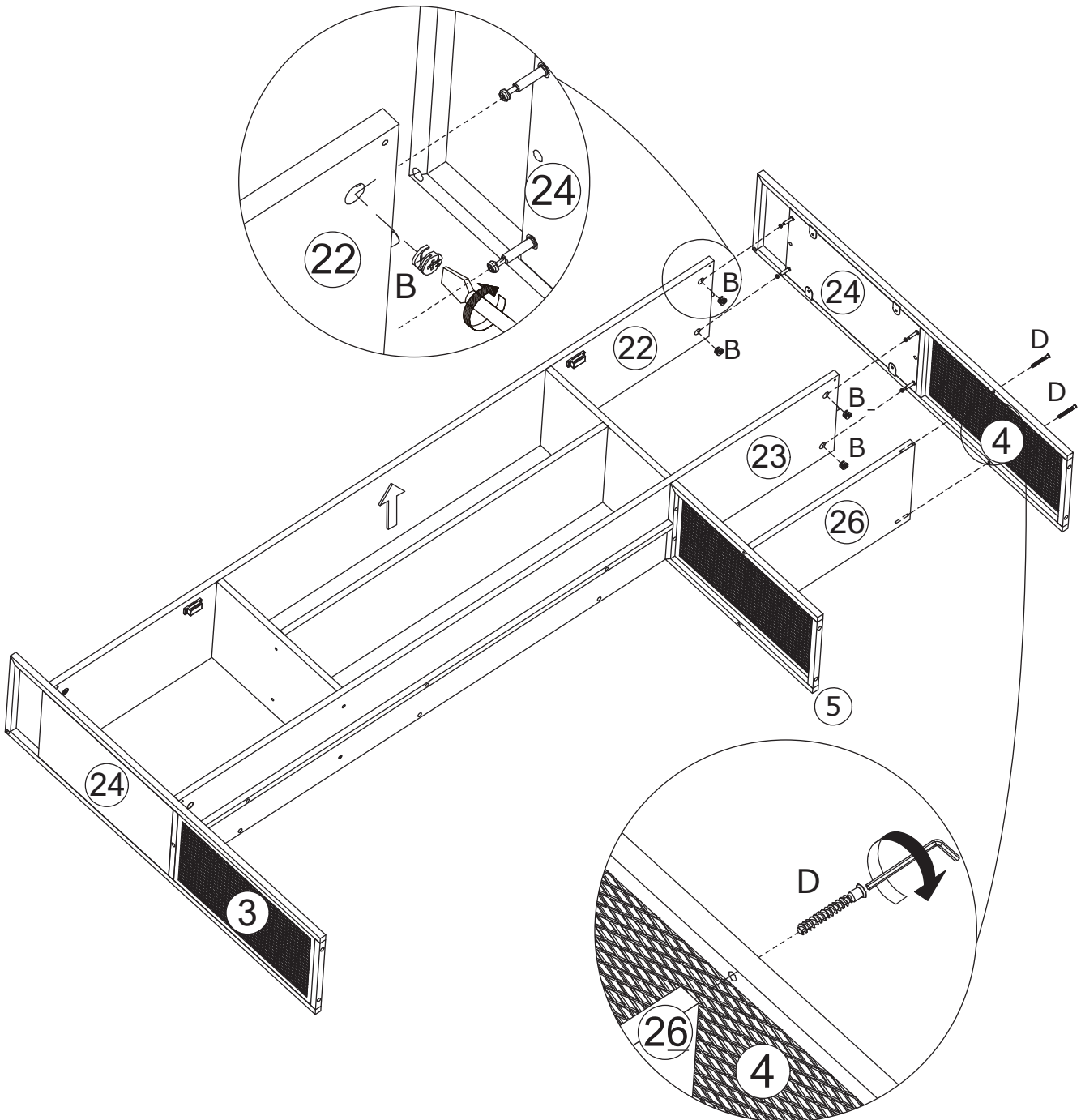
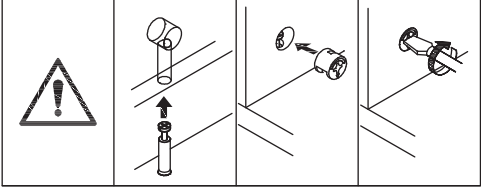
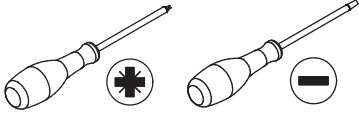
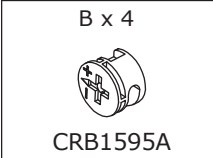


Attach board 24 to board 22 and 23, add cam lock(B) into board 22,23, turn clockwise to tighten as shown.

Fix frame part 3 to tube 12 with screw(E) as shown.



40



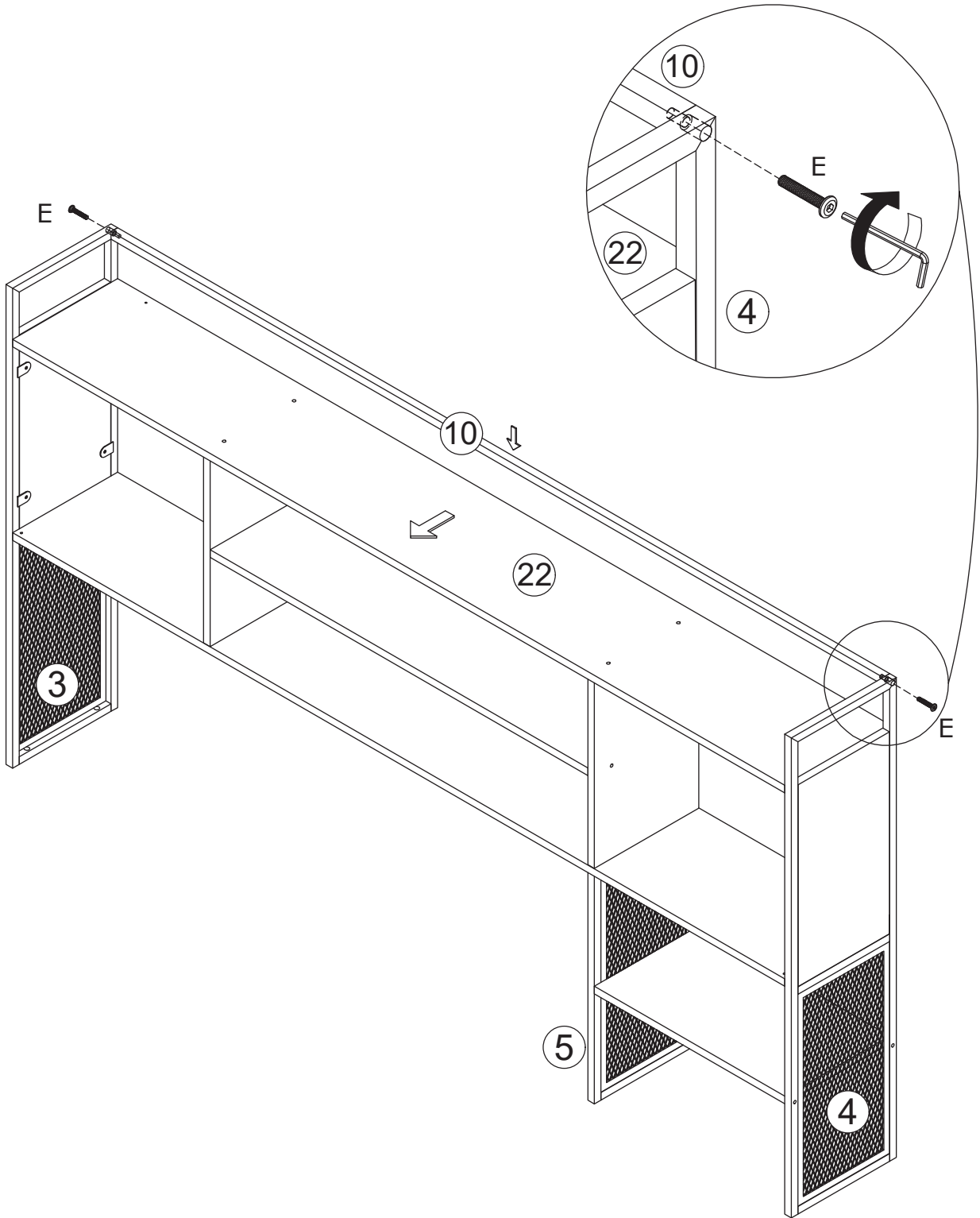
Attach board 24 to board 22 and 23, add cam\_lock(B) into board 22,23, turn clockwise to tighten as shown.  
Fix frame part 4 to board 26 with screw(D) as shown.

41

E x 2  
CRG0635A



Fix tube 10 to frame part 3 and 4 with screw(E) as shown.



42

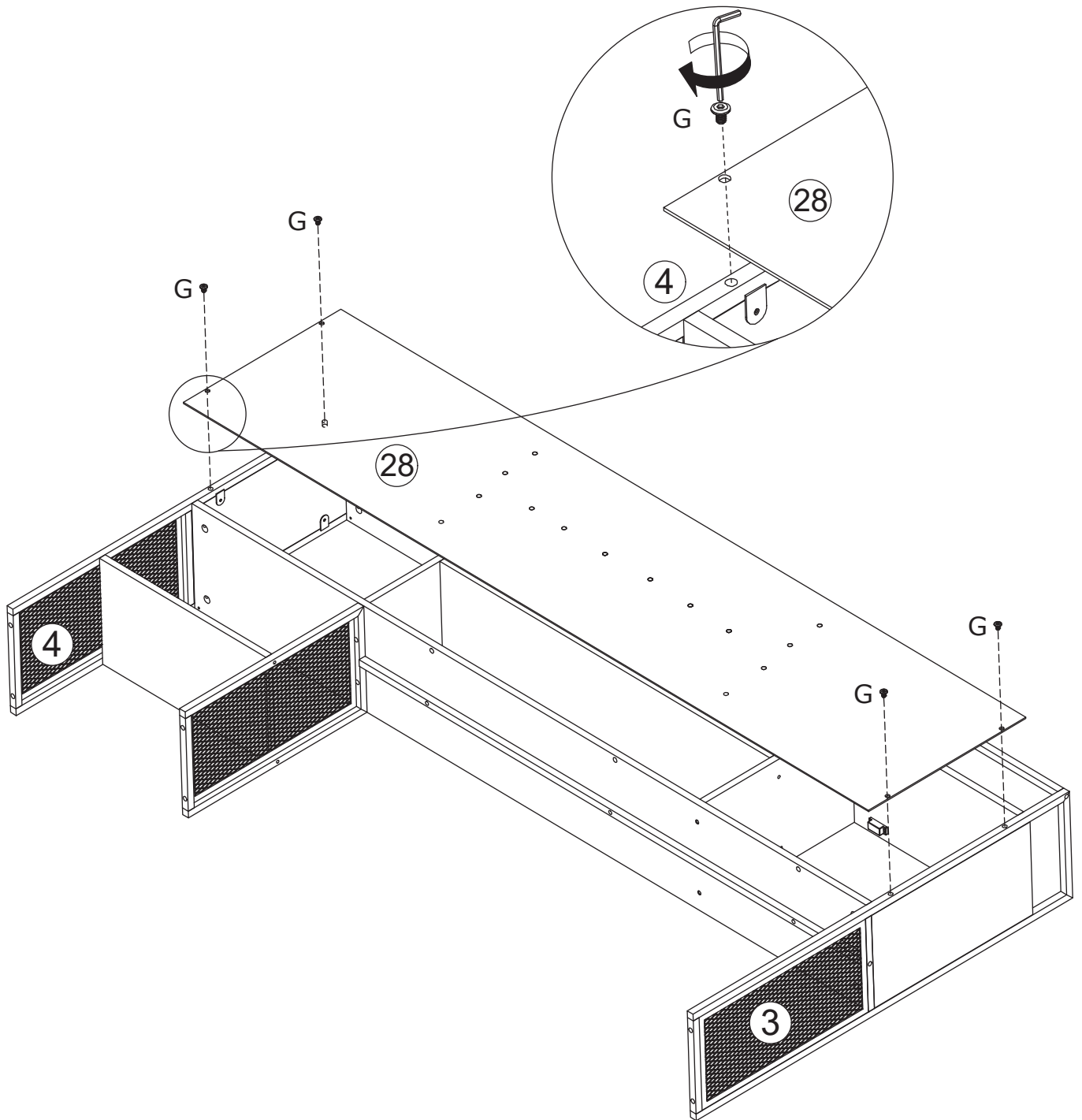
G x 4



CRG0612A



Fix back board 28 to the component with screw(G) as shown.

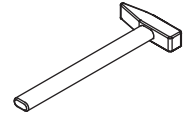


43

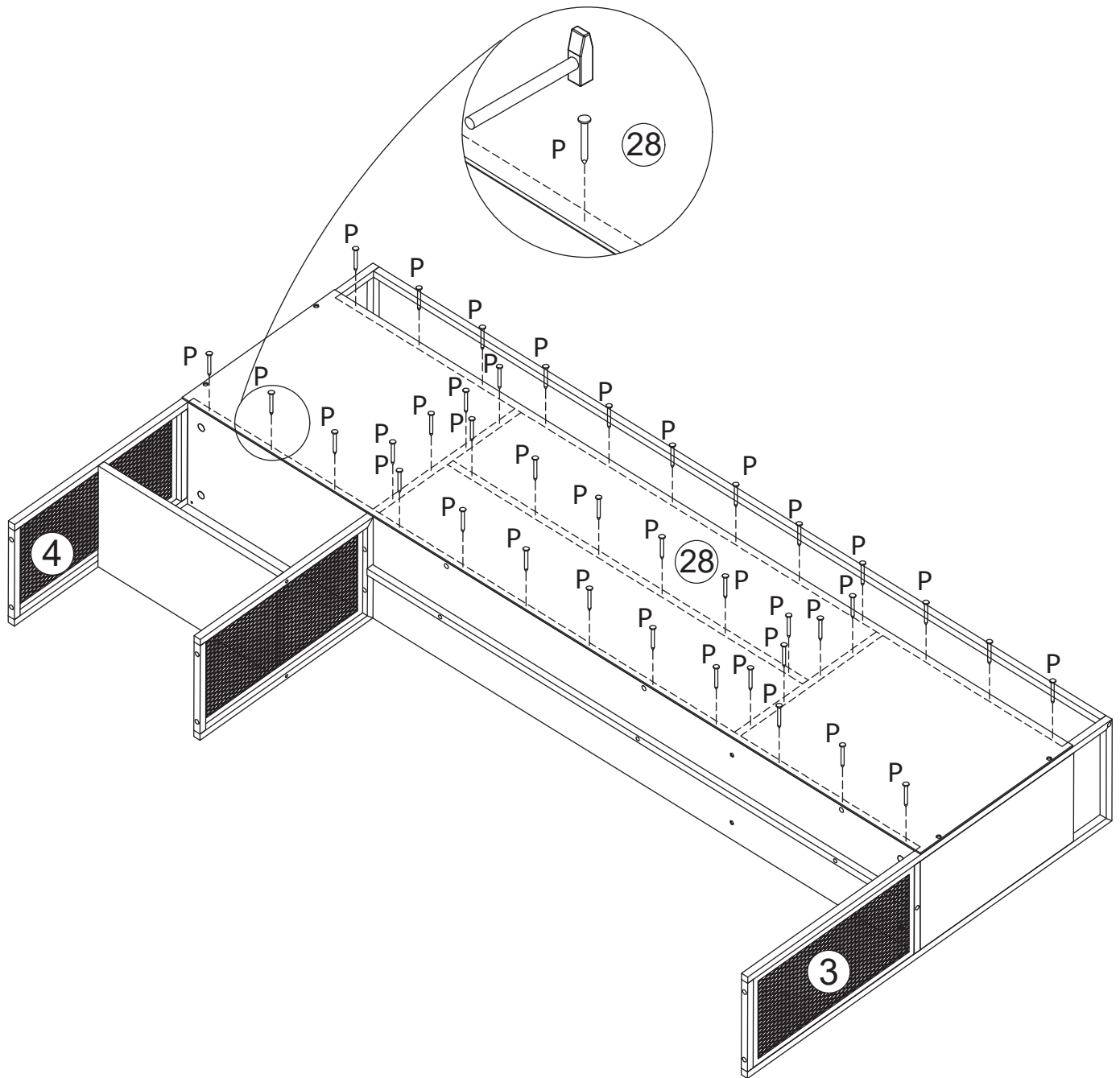
P x 38



Ø2 x 16 mm



Reinforce back board 28 with nail(P) as shown.

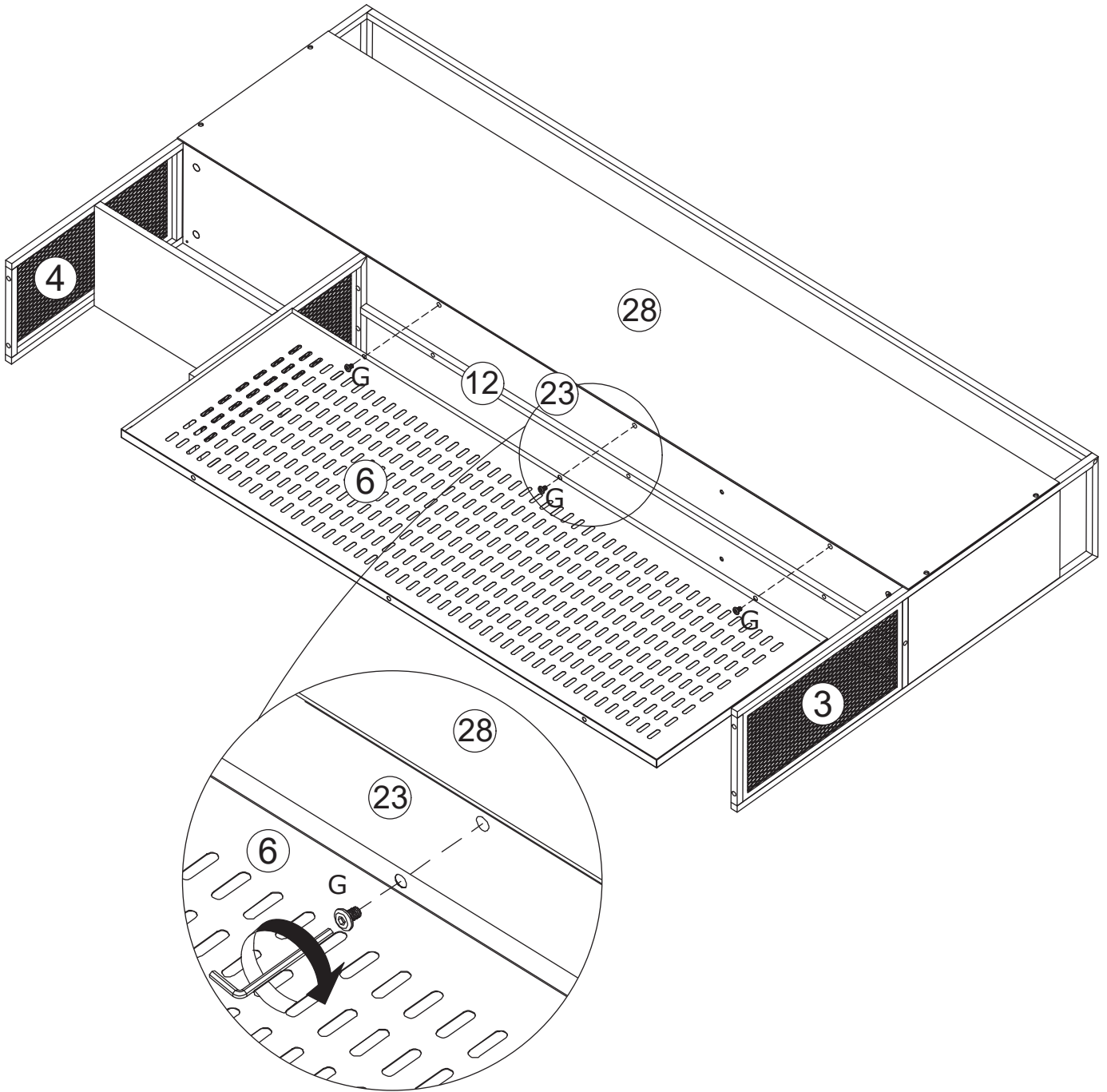


44

G x 3

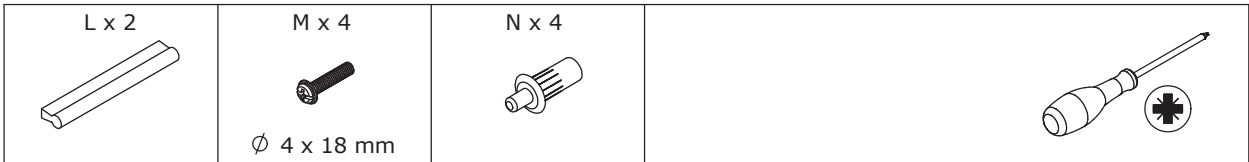


CRG0612A

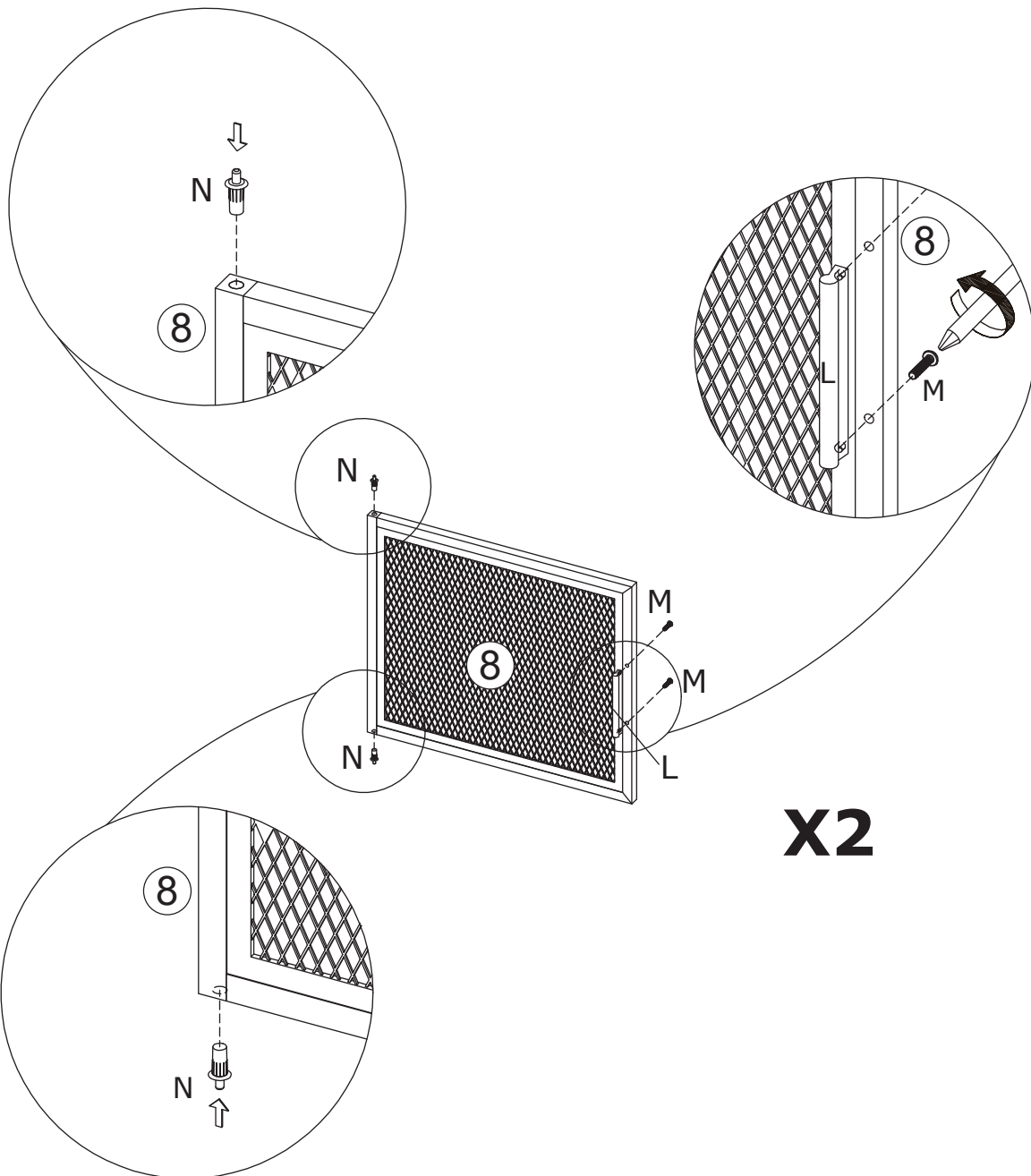


Fix part 6 to board 23 with screw(G) as shown.

45



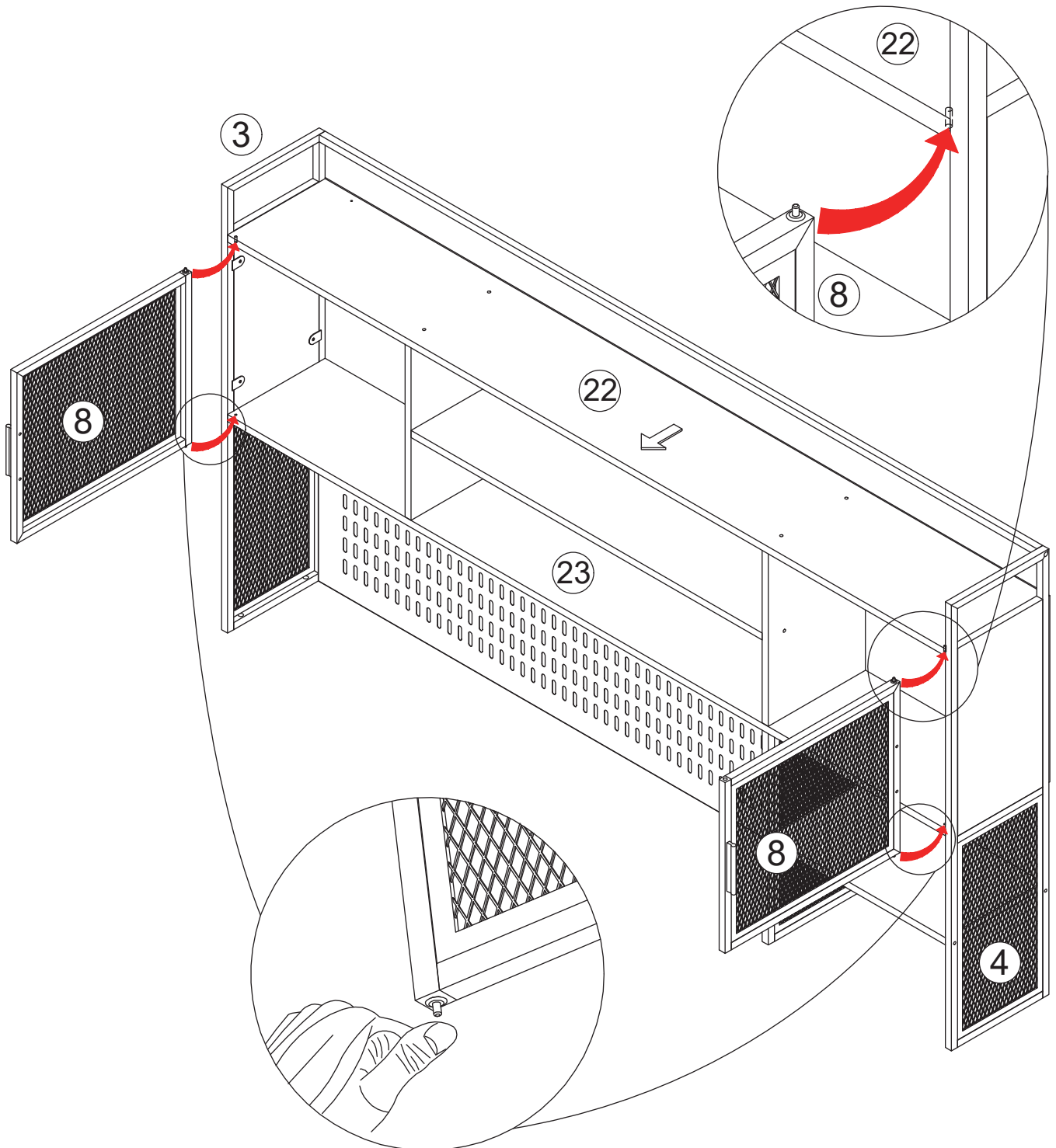
Fix handle(L) to board 8 with screw(M) as shown.  
Insert part(N) into board 8 as shown.



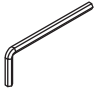
**X2**

46

Assemble door 8 to the cabinet.

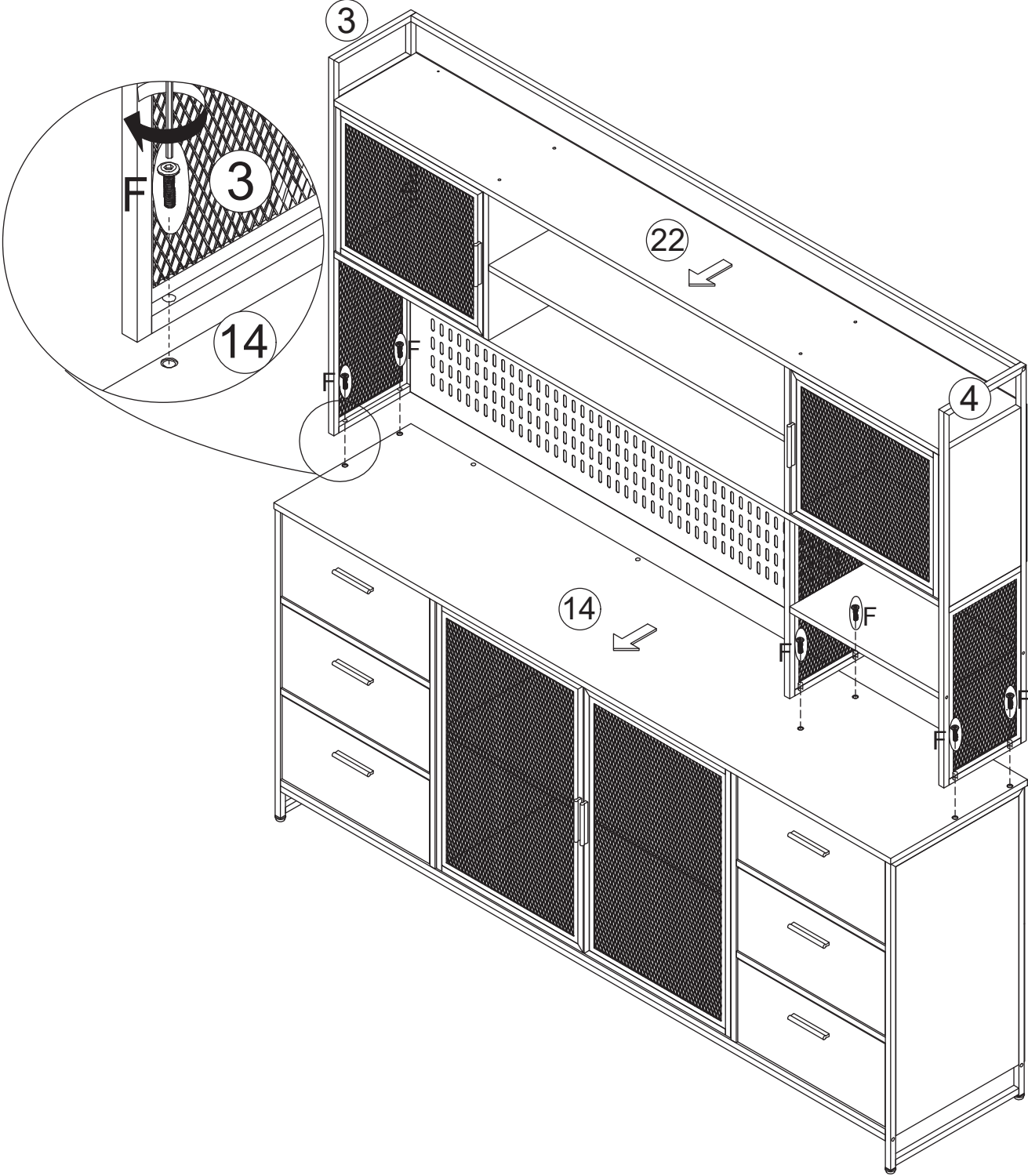


47



Connect the two components, and fix with screw(F) as shown.

We suggest more than two people to assemble in this step.

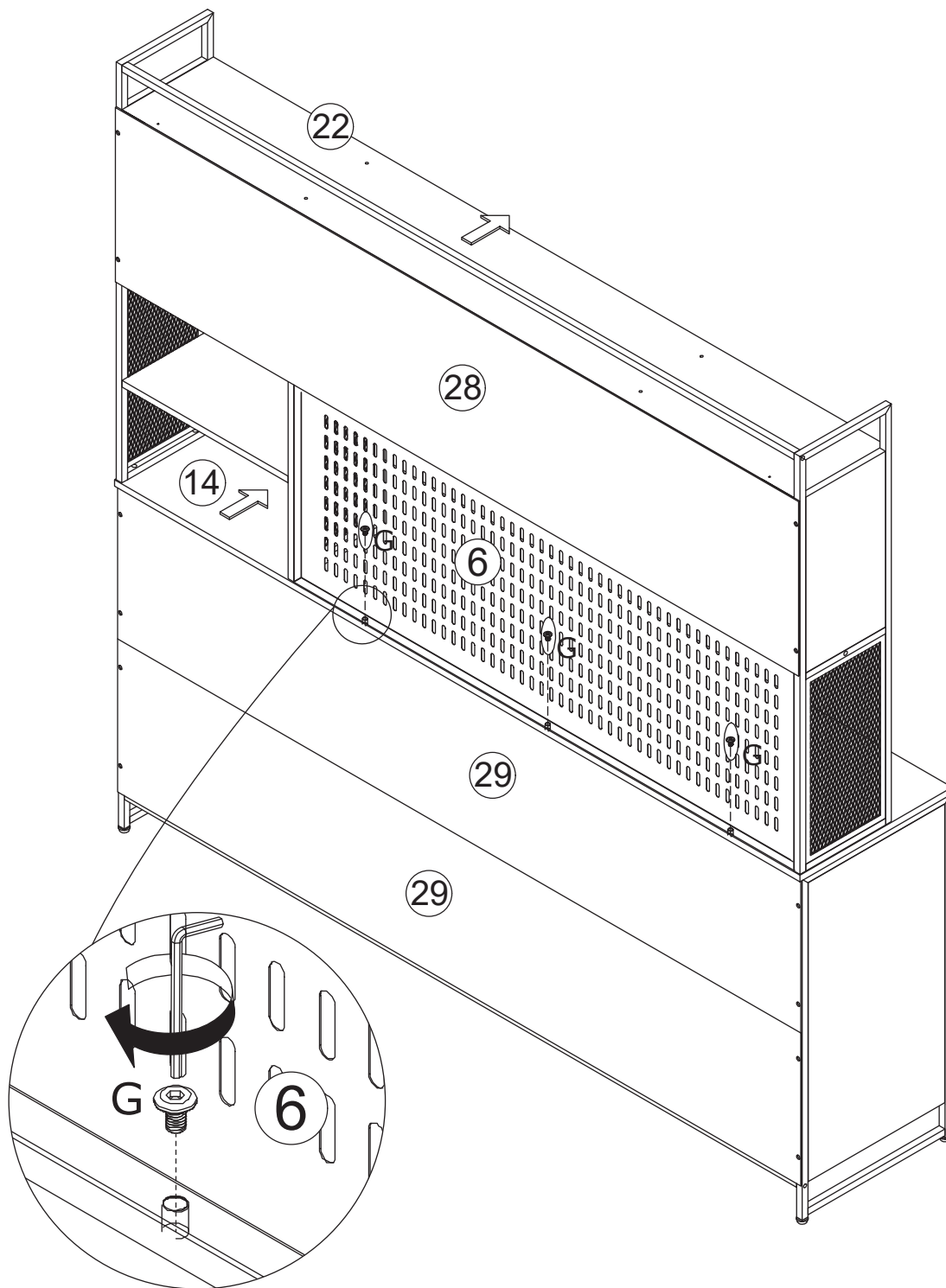


48

G x 3

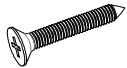


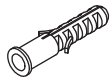
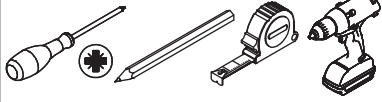


CRG0612A

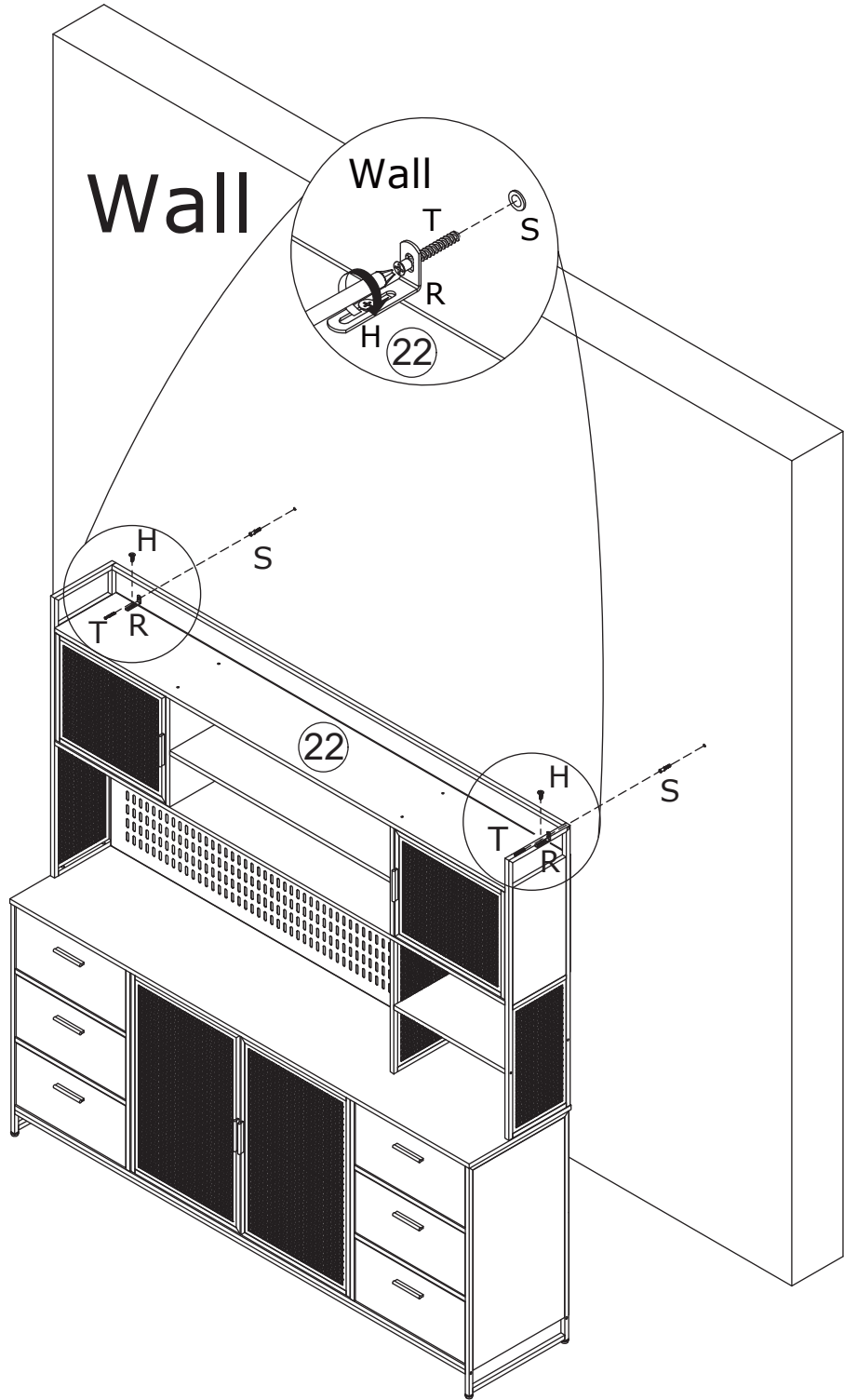
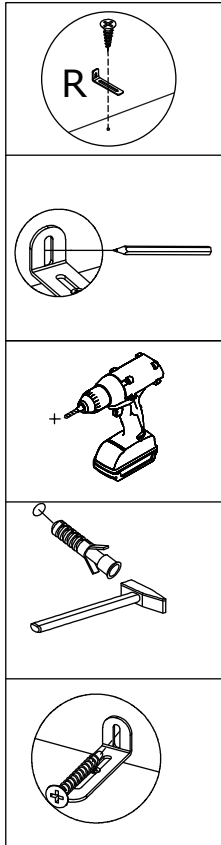


Fix part 6 to board 14 with screw(G) as shown.

49

T x 2  CRD3535A	H x 2  CRD3512A	R x 2 	S x 2 	
--	--	--	---	---

Install anti-tipping device as shown.



# WARRANTY

## WARRANTY CLAIMS

- There is a 30-day warranty for broken furniture or any other problems that do not work properly. The warranty will start from the date of purchase which must be verified by proof of purchase.
- Before making a claim, we may be able to answer your query, simply call us. Please leave your purchase order number, along with some details of the problem, if you want a replacement part. We will arrange within 48 hours. If there is out of stock, we will reply with a shipping date.
- The product must be used in accordance with the instructions provided. For health reasons.
- For other reasons, if the furniture needs to be returned, it must be cleaned and dried and operated within 30 days of receipt.

## Type of Warranty Claim

- Failure to follow the furniture instructions will invalidate the warranty. Attention please.
- Does not include damage during installation, but includes damage during transportation.

## Scope of responsibility

- Shall not bear any responsibility for misuse or user damage and / or loss of parts during the installation of furniture.
- After using, the damage and scratches of the furniture are not covered by the warranty.

## The Warranty Relates to All Bought in The Us and Covers The Following Areas

- Sheet parts: 1 month from the date of purchase.
- Electrical parts: 1 month from the date of purchase.

# RETURNS

## **CHANGED YOUR MIND AND NEED TO RETURN YOU ITEM?**

### **PLEASE FOLLOW THE BELOW INSTRUCTIONS:**

- If you have purchased and have simply changed your mind, follow the retailer's instructions for returns.

### **DEFECTIVE ITEMS**

- If your item is defective in any way, i.e. it doesn't work but you can't identify why, in the first instance, please call us.

### **DAMAGED ITEMS**

- If you receive an order with obvious shipping damage from the retailer, then we suggest the delivery is refused. If the delivery has been accepted and then shipping damage is found, please follow the specific instructions advised by the retailer.  
In all circumstances please save all packaging material and paperwork for the order. Please be aware that if you dispose of packaging material or attempt to return the merchandise without contacting the fulfiller, you jeopardise your chances of making a claim, and you may not receive a credit for the return.