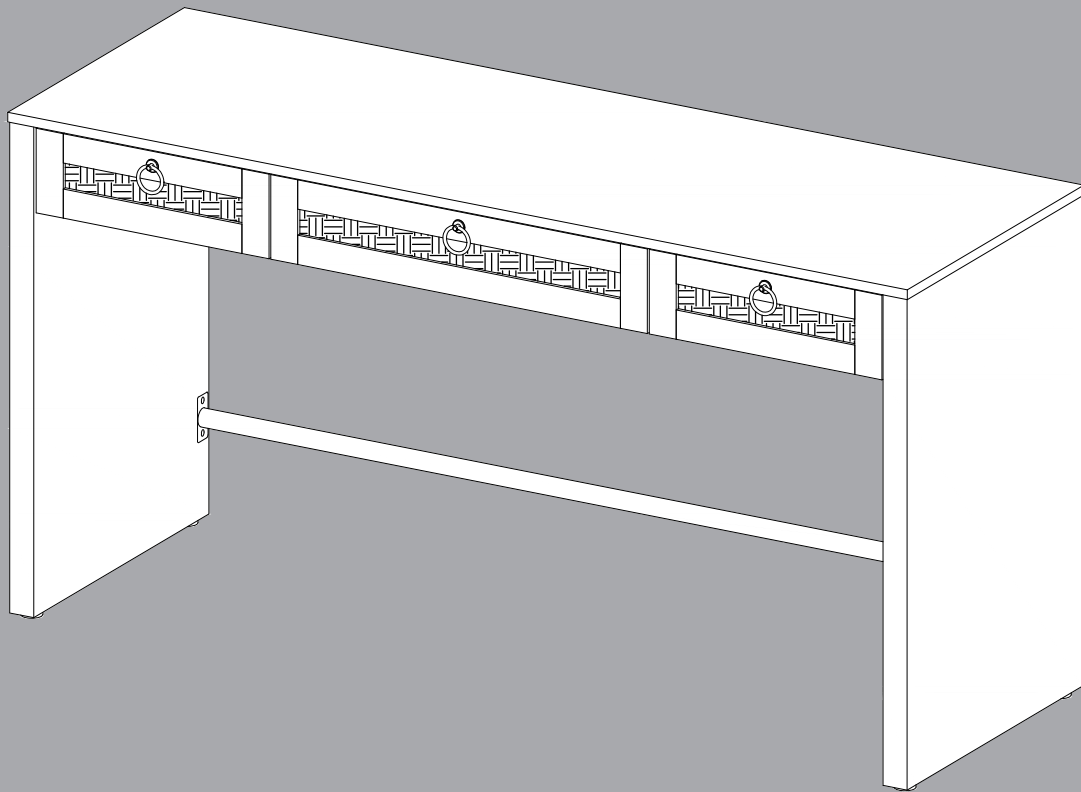


SICOTAS

Terra Desk with 3-Drawers

DS118A1XWTY2079 | DS118A1ELTY2080



Terra Collection

Assembly Instructions

Before beginning the assembly process, please read and save these instructions for reference. Following these guidelines will ensure a smooth and successful assembly of your product.

1. Part Identification:

Carefully separate and identify all the parts included in your package. Confirm that you have all the components listed in the instruction manual. This step will help you avoid any missing or misplaced parts during assembly.

2. Work Surface:

To prevent any scratches or damage to the product, assemble it on a soft mat or a similar protective surface. This will provide a cushioned area for the components and protect the surfaces from unwanted marks.

3. Step-by-Step Assembly:

Follow the assembly instructions provided, proceeding one step at a time. Take care to understand each step properly before proceeding to the next one. This sequential approach ensures that the assembly is done correctly and minimizes the chance of errors.

4. Proper Screw Seating:

When attaching screws and nuts, it is essential not to fully tighten them until all screws are correctly seated. By partially tightening each screw and nut initially, you can ensure that they are aligned properly and fit securely before final tightening.

5. Avoid Over-Tightening:

While each screw and nut should be tightened correctly, it is crucial not to over-tighten them. Over-tightening can cause damage to the product or compromise its structural integrity. Use the appropriate amount of force to secure the components without excessive tightening.

SICOTAS customer help center:

If you encounter any questions or problems during the assembly process, please do not hesitate to contact us.

We strive to provide excellent customer support and will respond to your inquiries within 24 hours. Our team will offer you a suitable solution to address any concerns you may have.



Email:
service@sicotas.com



Website:
www.sicotas.com



Phone:
(833) 742-6827



Official Website:



WhatsApp:



YouTube:



Instagram:

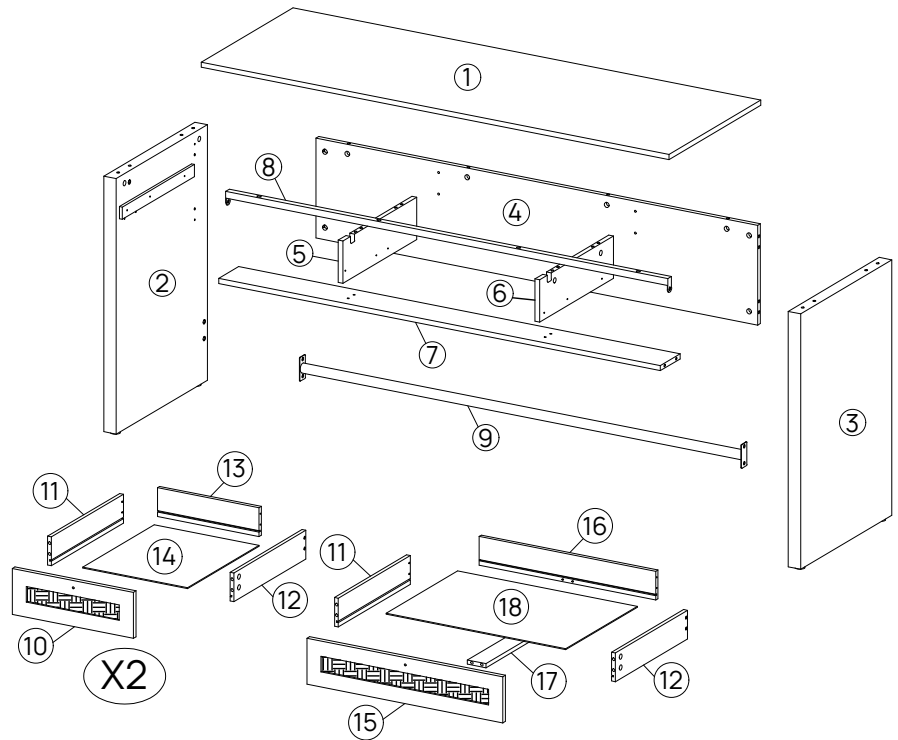


Facebook:



TikTok:

Parts List

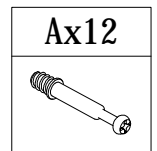
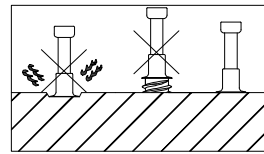
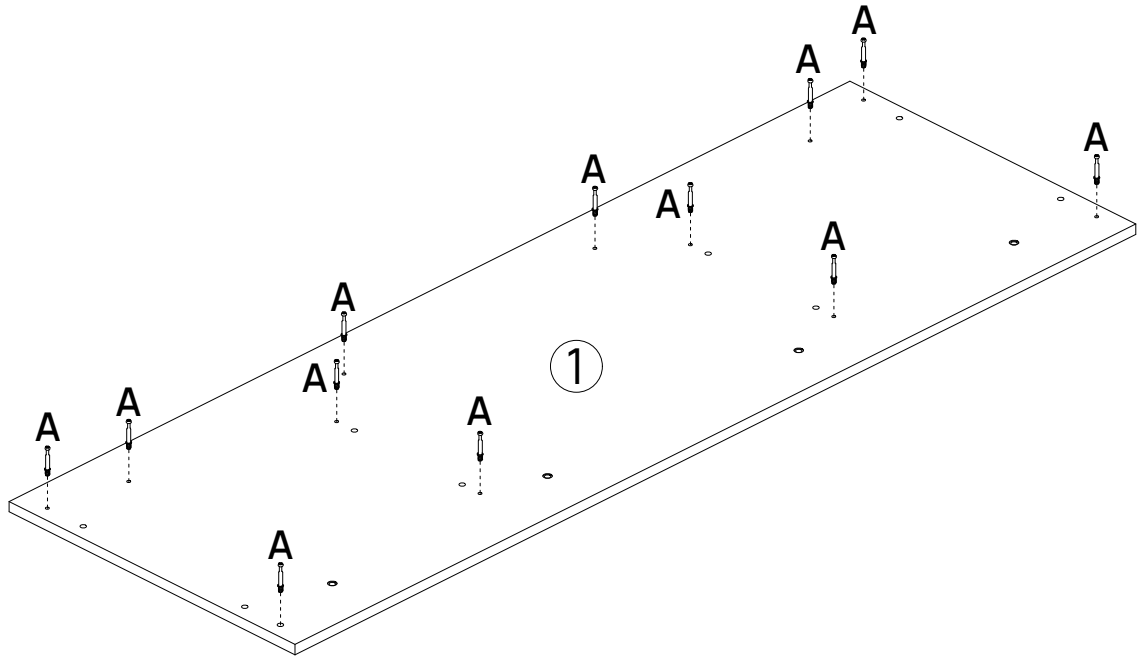


Hardware List

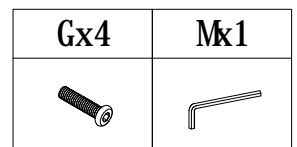
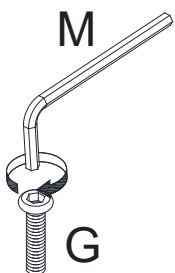
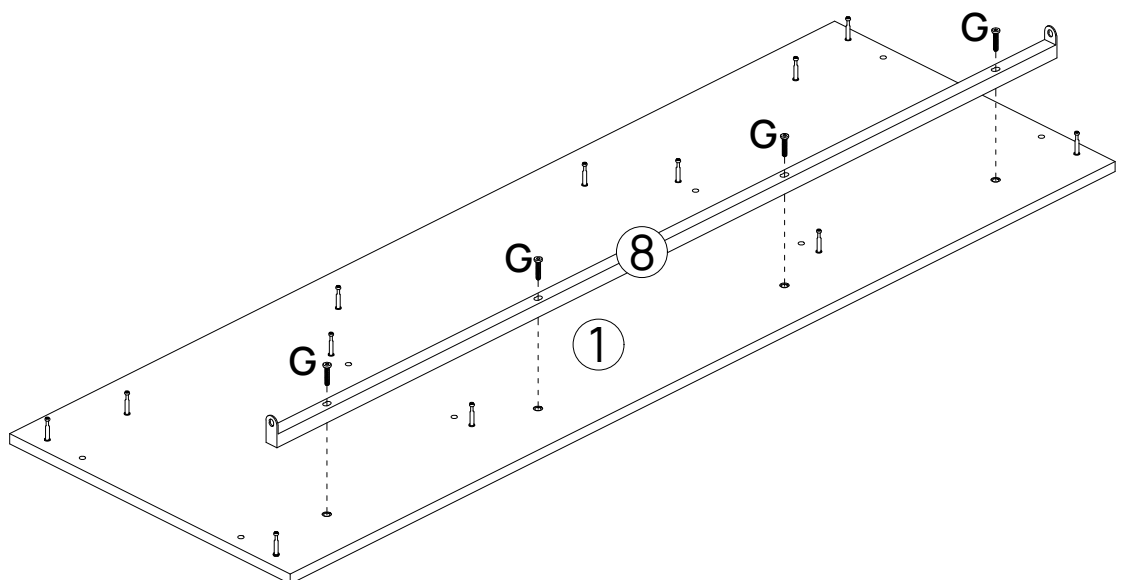


Code	Description	Quantity	Code	Description	Quantity
A	M6*35mm Cam bolt	34+3	K	M4x20mm screw	3+1
B	dowel Ø15*9.5mm	34+3	L	Wrench	1
C	Ø8x30mm Wood	12+2	M	Wrench	1
D	M4x35mm screw	14+2	CL	400mm Drawer runner set Hex key	1
E	Ø3.5x12mm screw	36+2	CR	400mm Drawer runner set Hex key	1
F	M6x12 bolt	6+1	DL	400mm Drawer runner set Hex key	1
G	M6x30 bolt	4+1	DR	400mm Drawer runner set Hex key	1
H	Ø5x48mm screw	8+2			
I	Adjusting the footrest	4+1			
J	Handle	3			

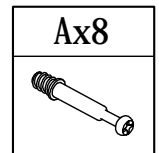
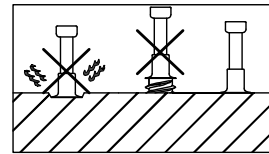
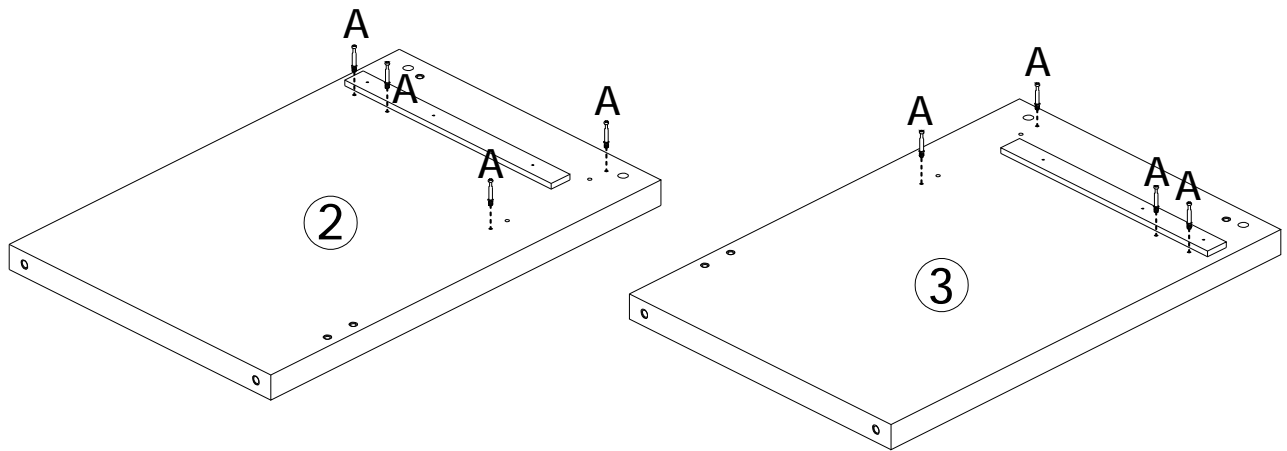
Step 1



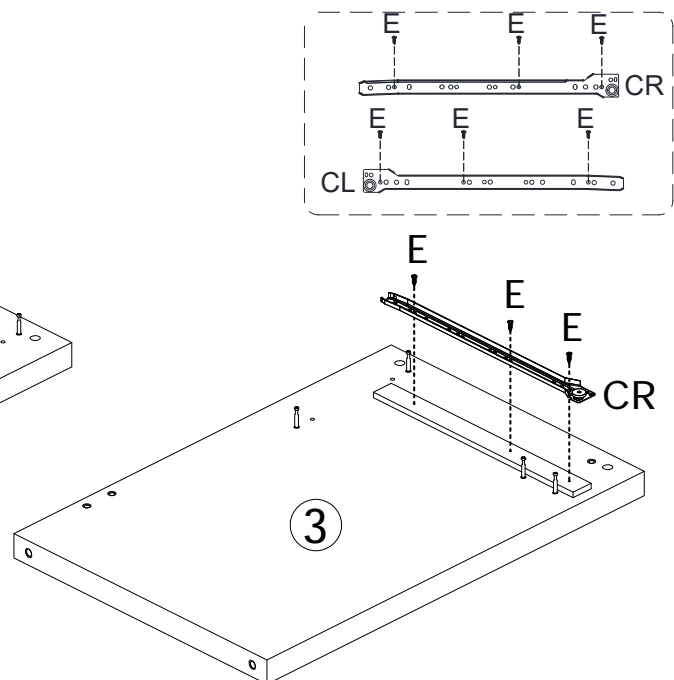
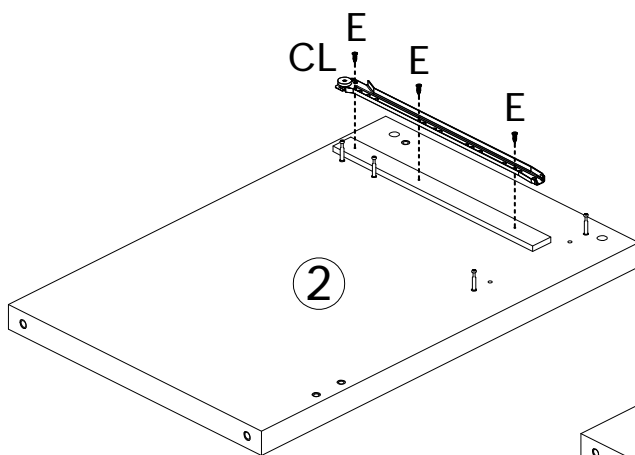
Step 2



Step 3

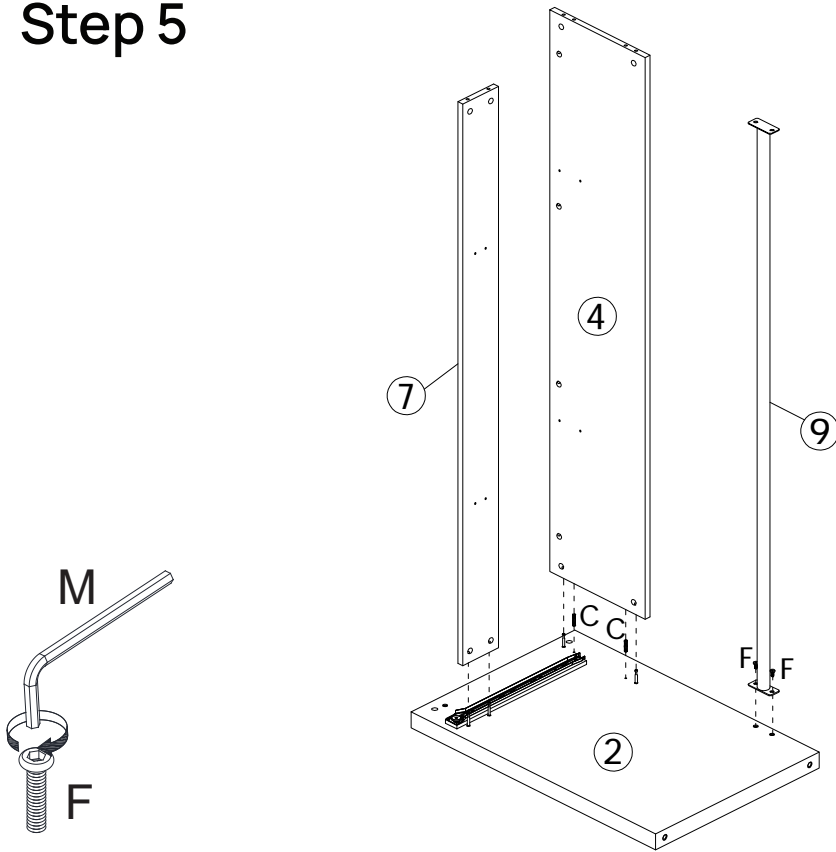





Step 4



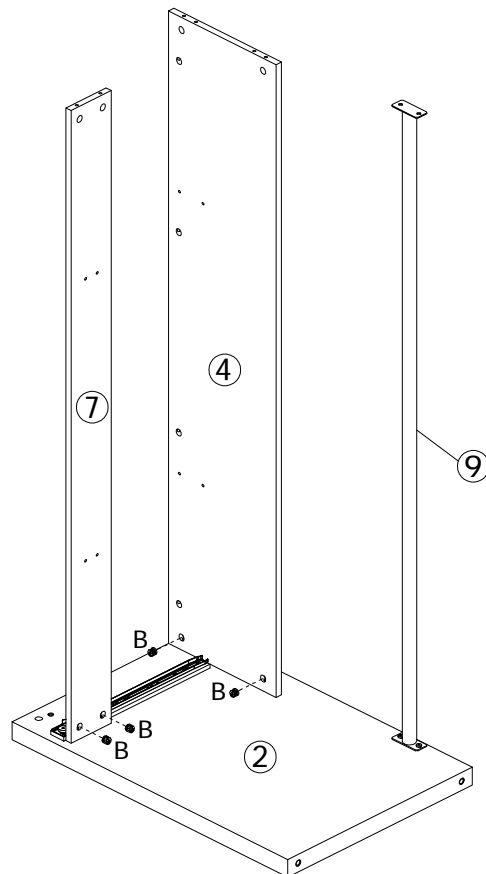
Ex6	CLx1	CRx1

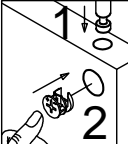
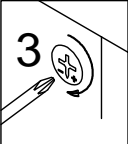

Step 5



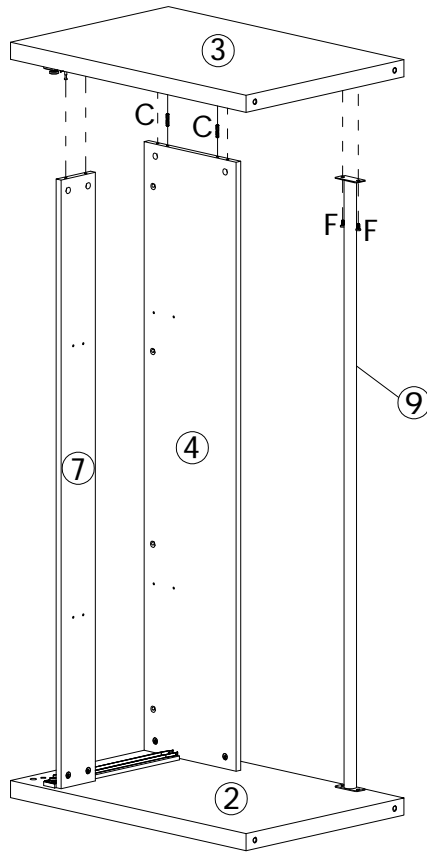
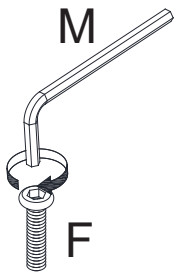
Cx2	Fx2	Mx1
		

Step 6



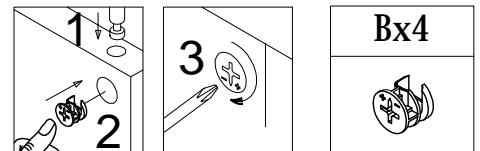
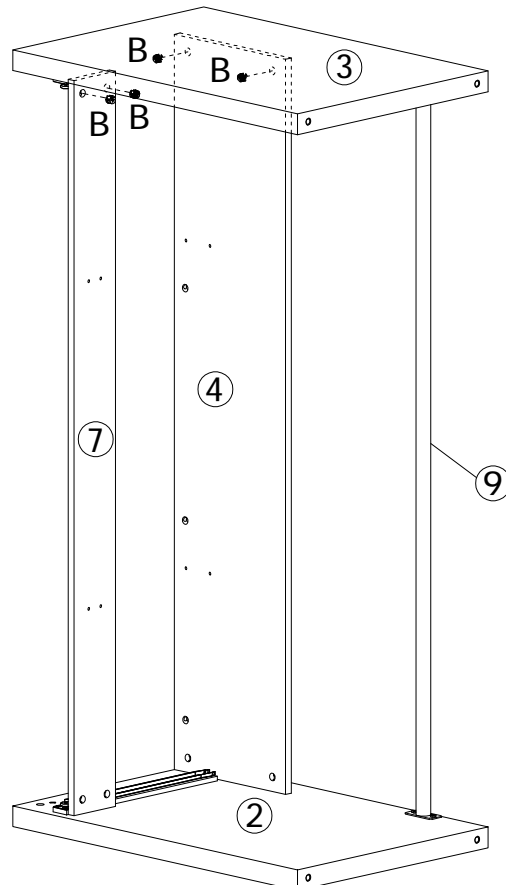
		Bx4 
---	---	--

Step 7

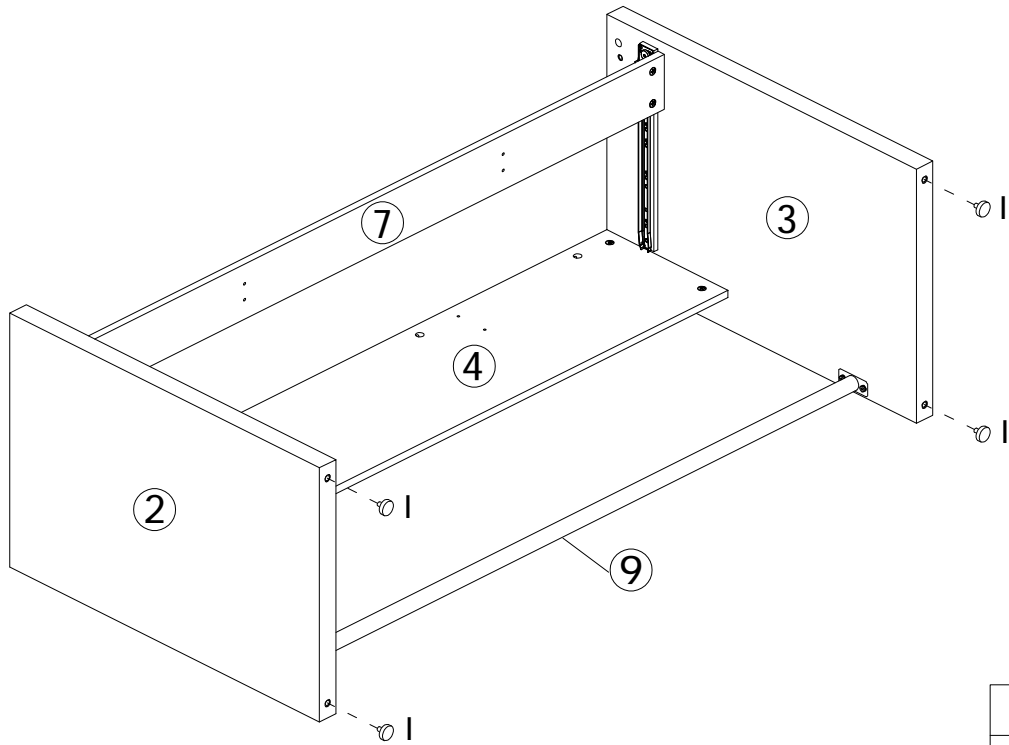



Cx2	Fx2	Mx1

Step 8

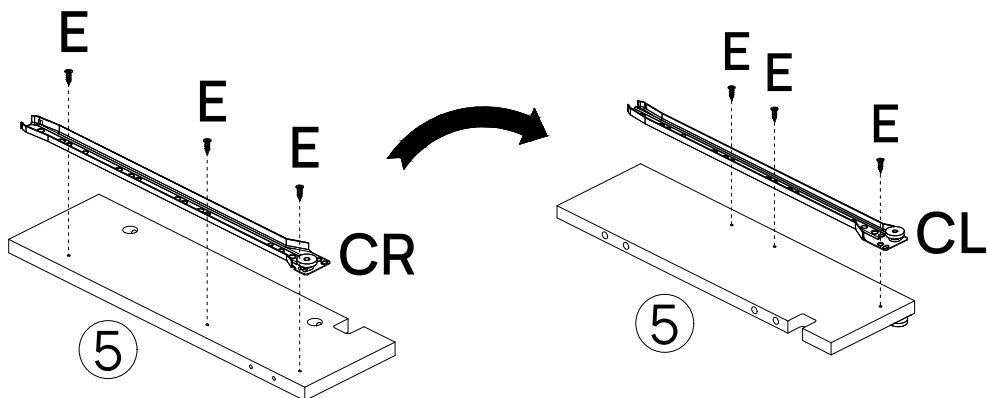
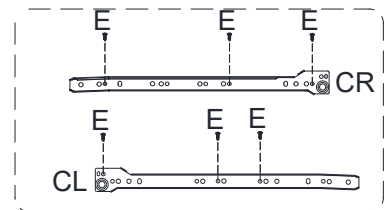





Step 9



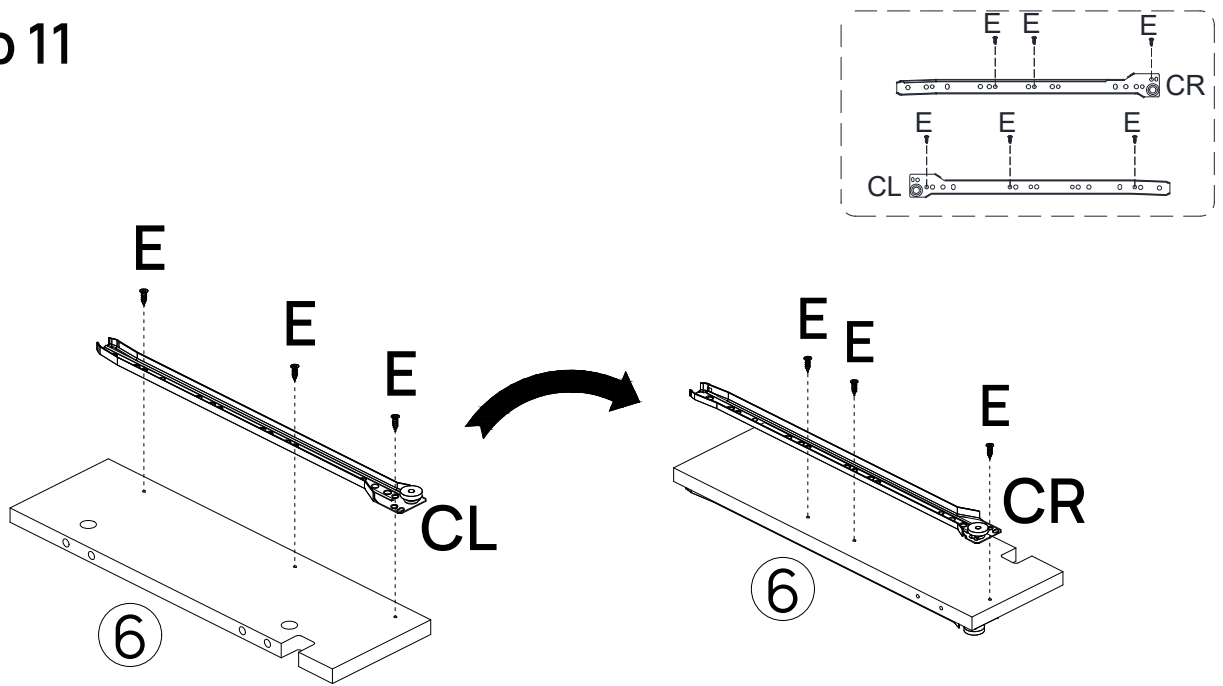
Ix4


Step 10



Ex6	CLx2	CRx2
		

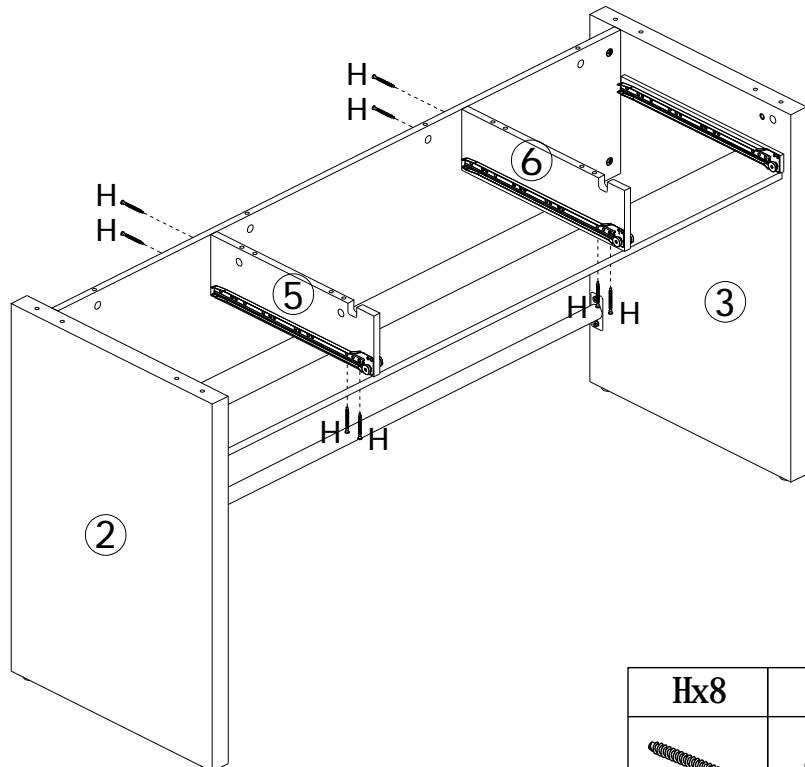
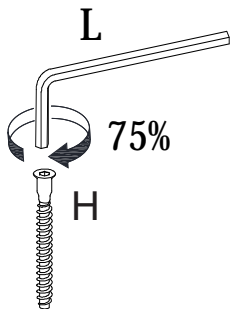
Step 11



Ex6	CLx2	CRx2

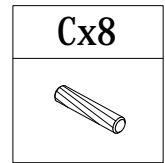
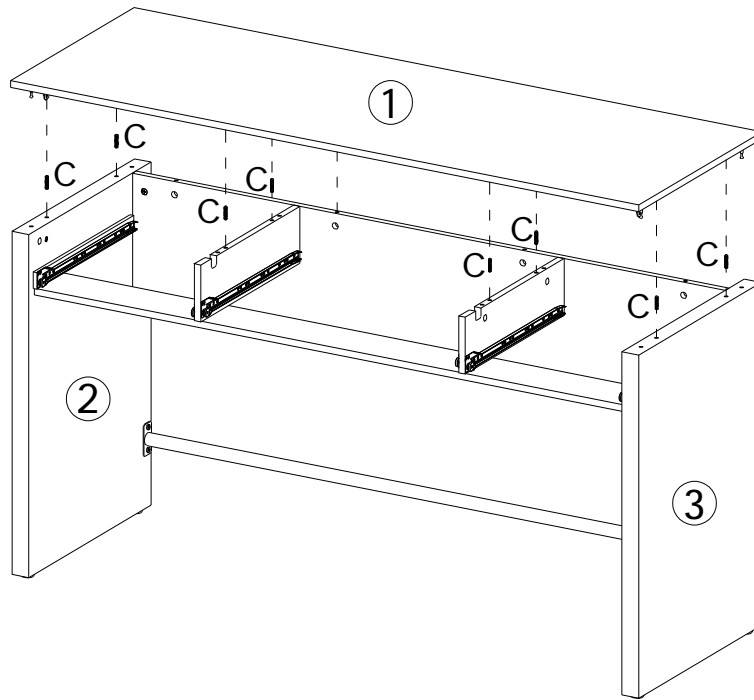
Step 12

Caution:
Do Not over-tighten

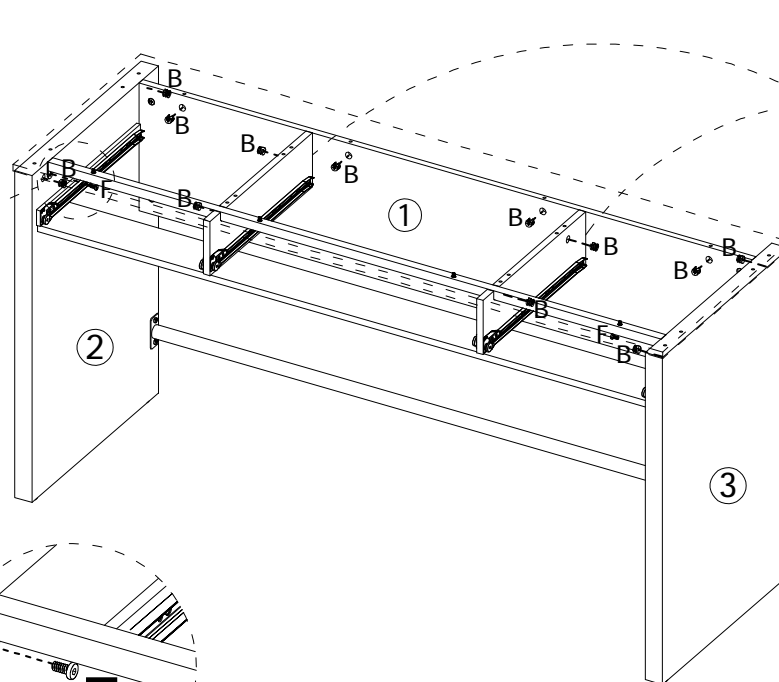


Hx8	Lx1

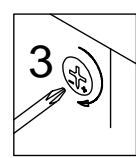
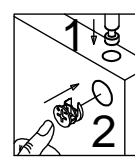
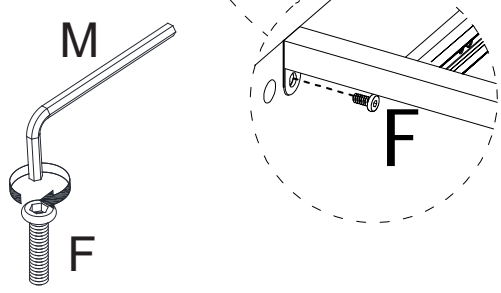
Step 13



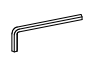


Step 14

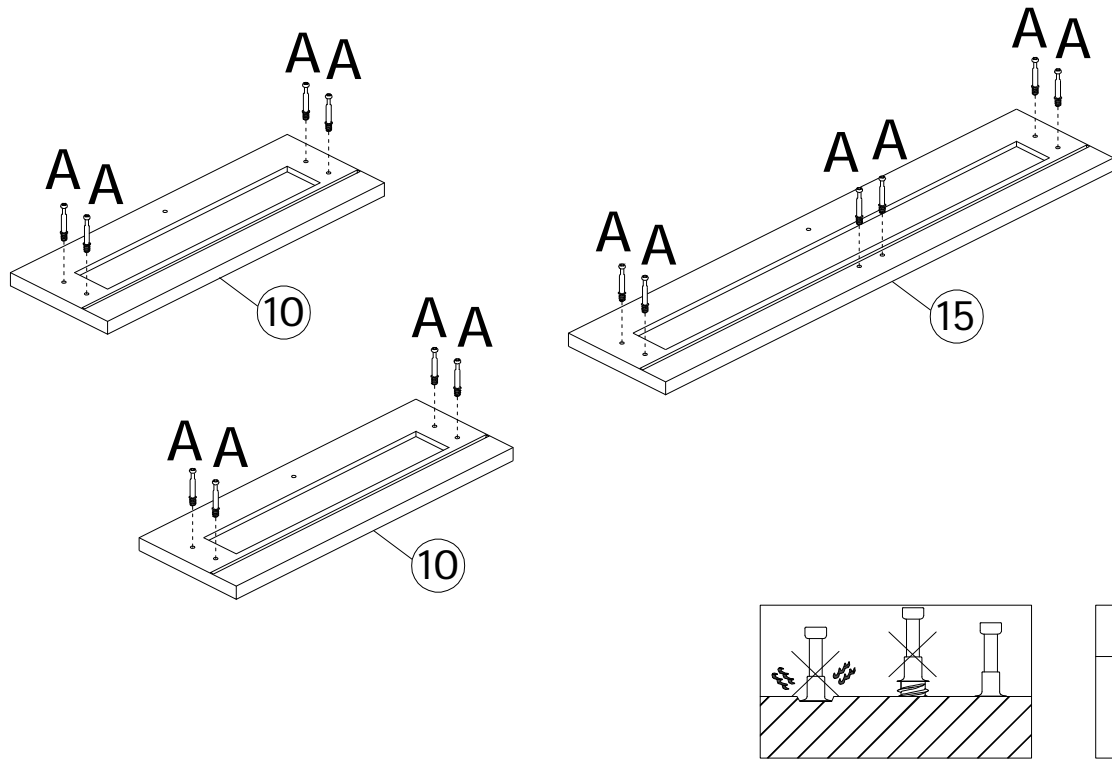


Please tighten all screws with appropriate force.

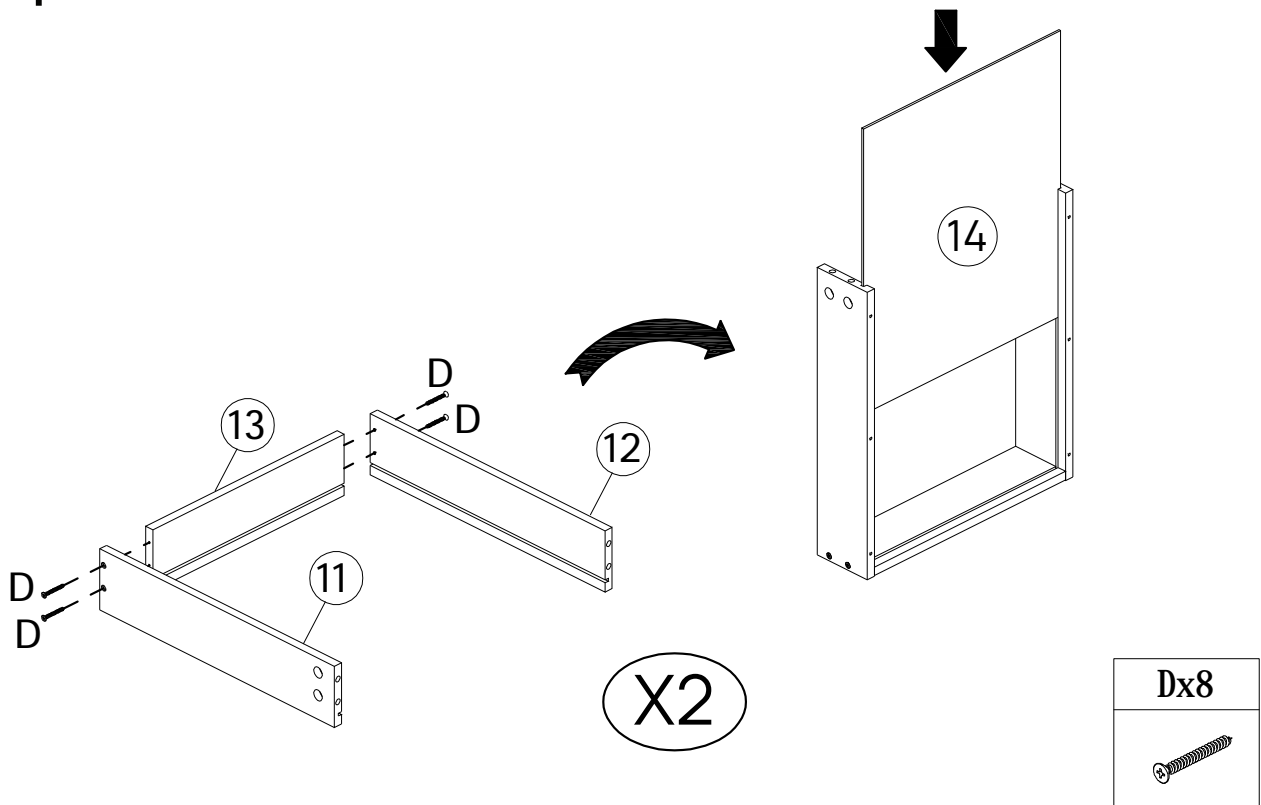


Bx12	Fx2	Mx1
		

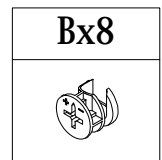
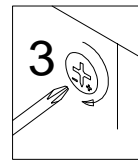
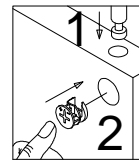
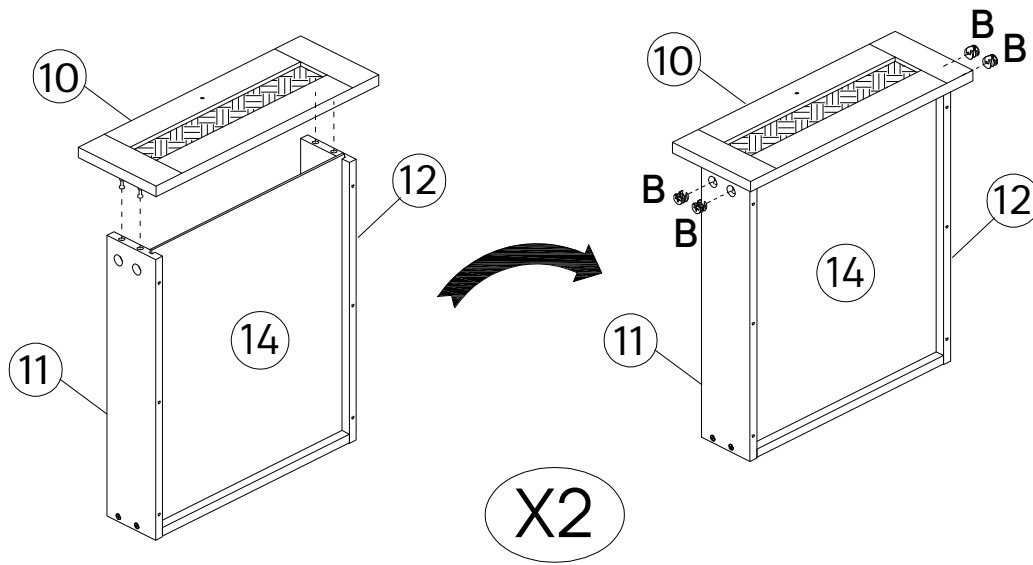
Step 15



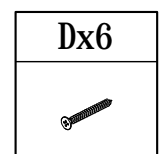
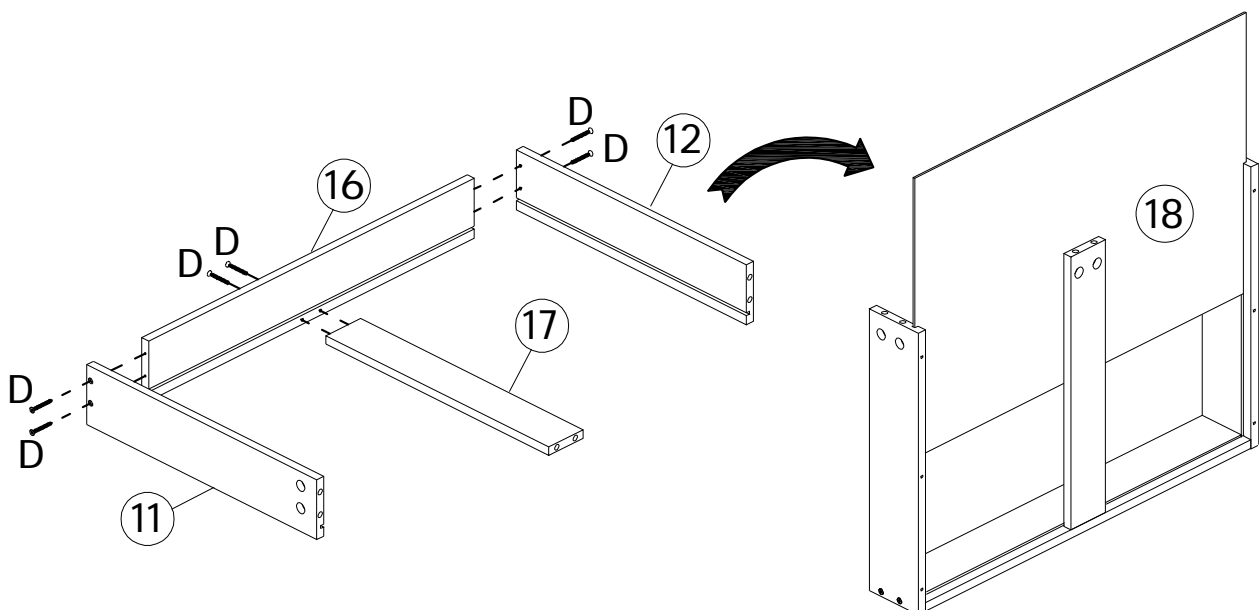
Step 16



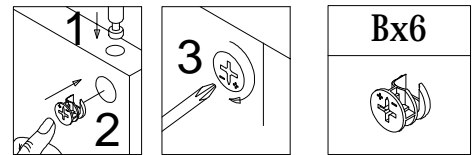
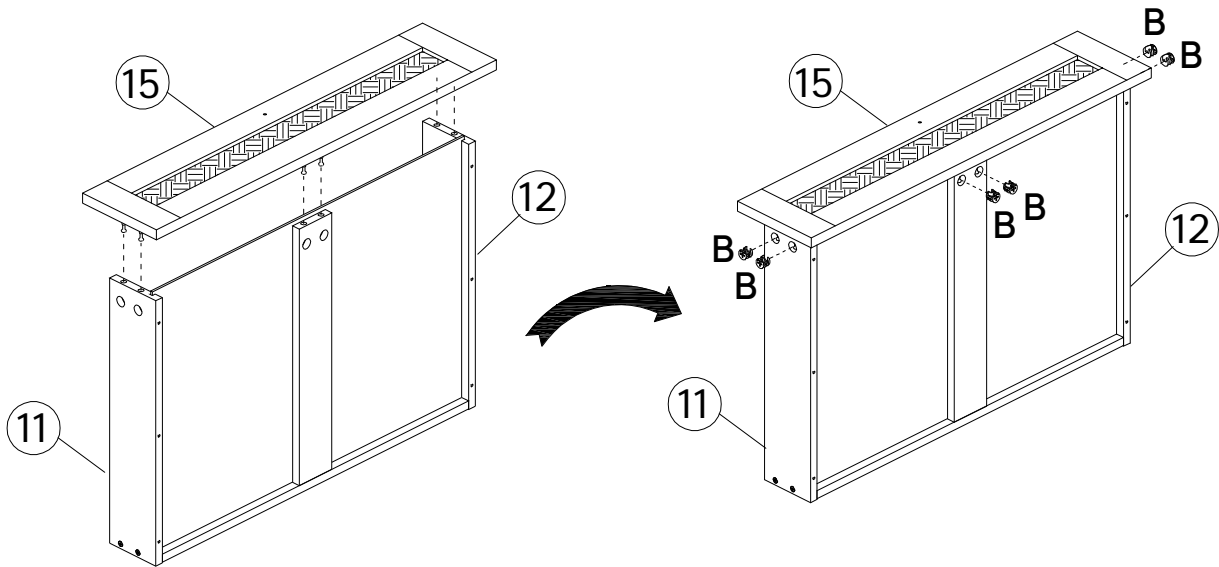
Step 17



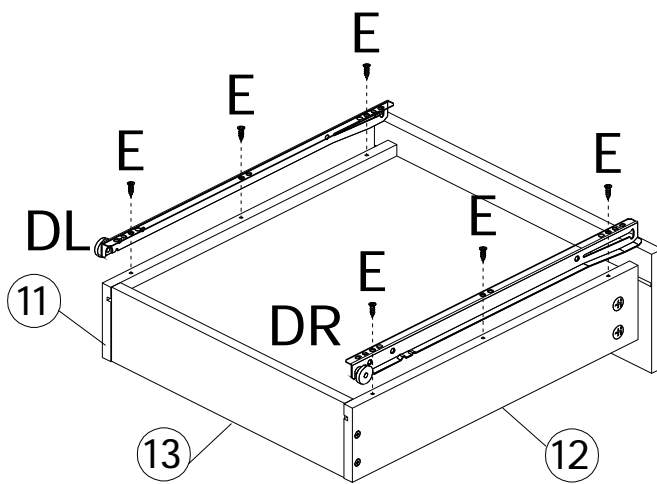
Step 18



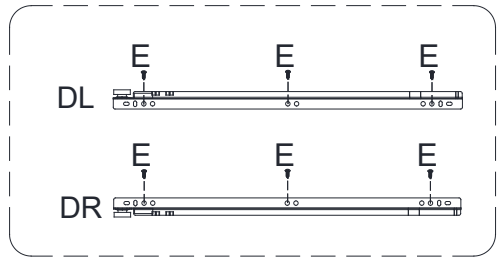
Step 19



Step 20

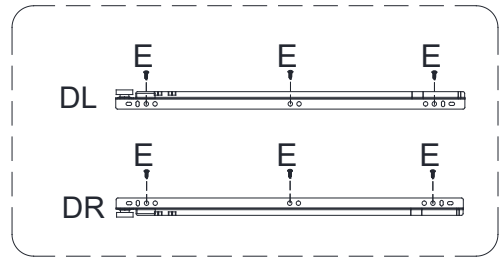
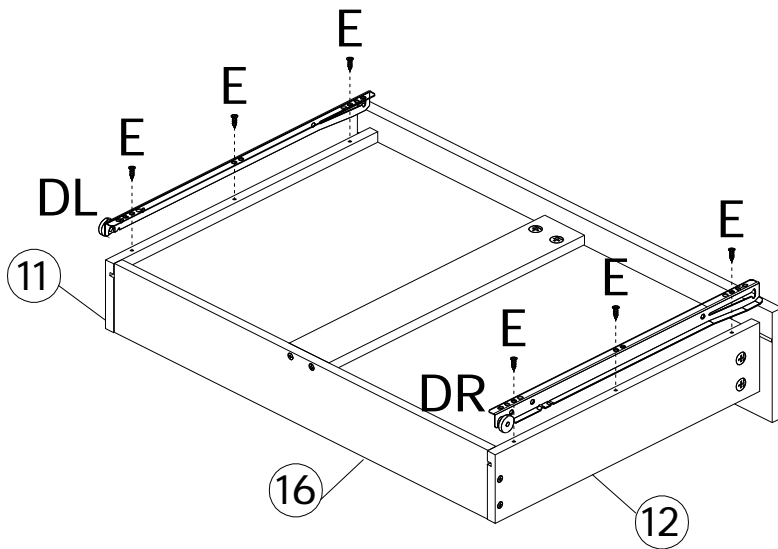


X2



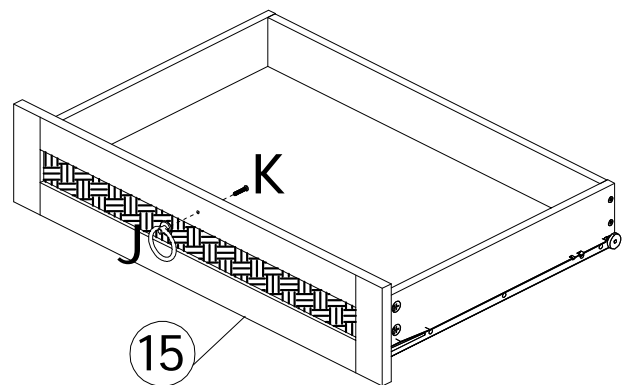
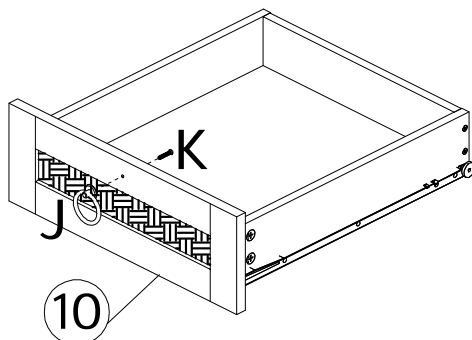
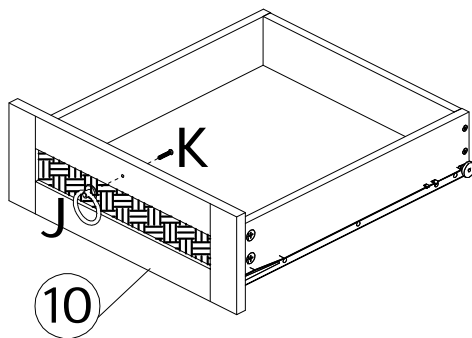
Ex12	DLx2	DRx2

Step 21



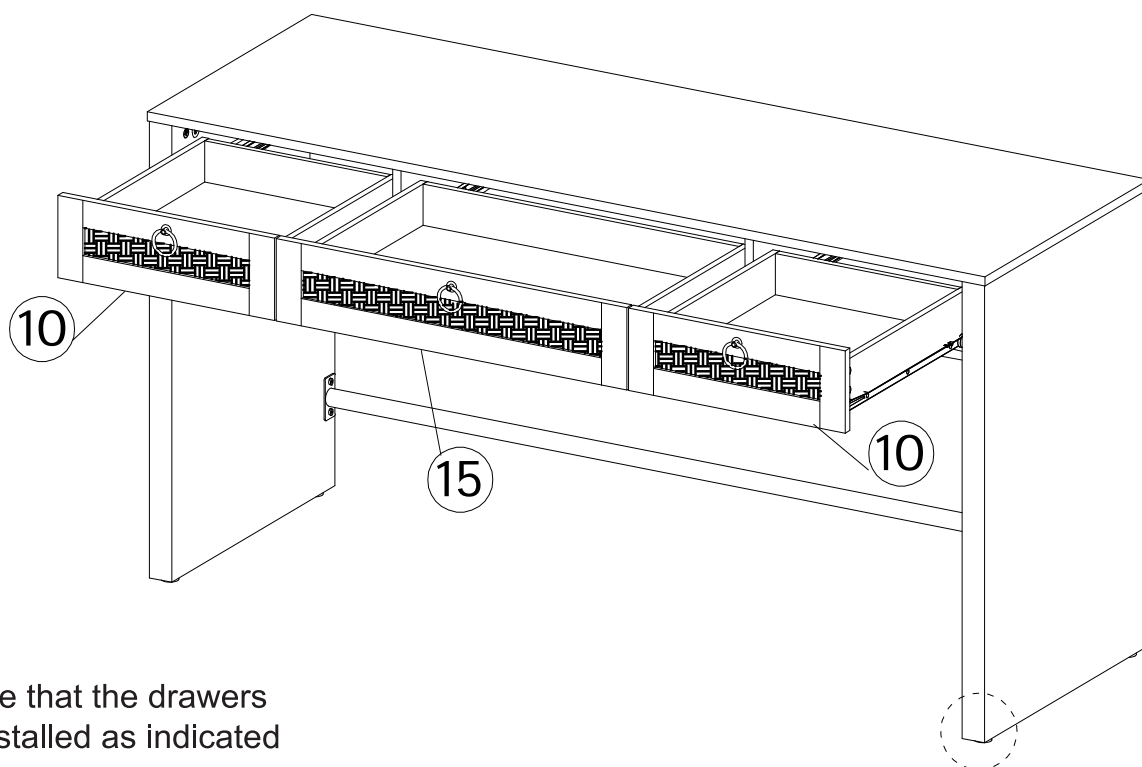
Ex6	DLx1	DRx1

Step 22

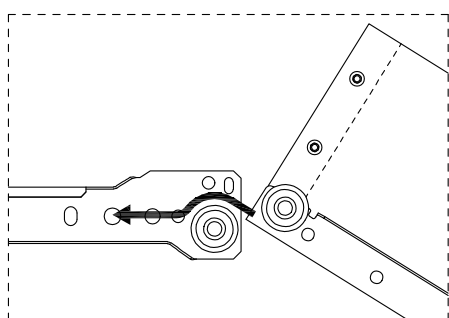


Jx3	Kx3

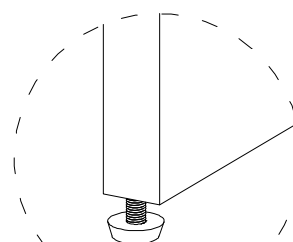
Step 23



Please note that the drawers must be installed as indicated by the arrows.



You can adjust the height by rotating it left or right.



Leveler

Step 24

