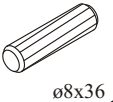
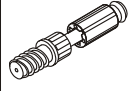




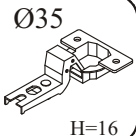
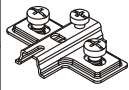



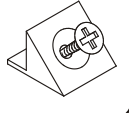
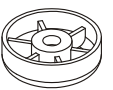
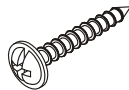
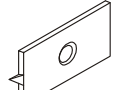


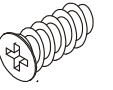
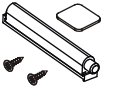
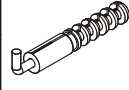
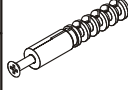
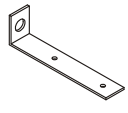

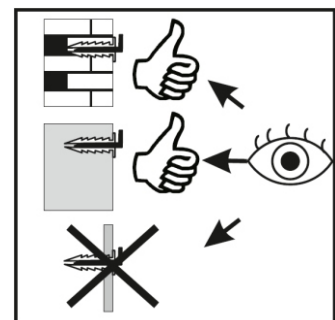
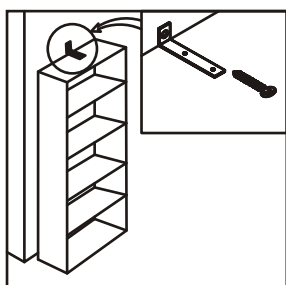
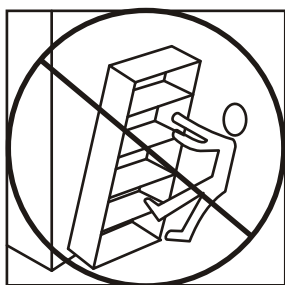
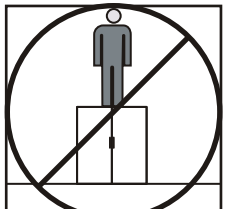
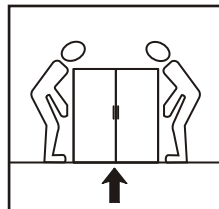
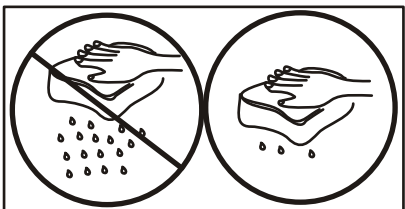
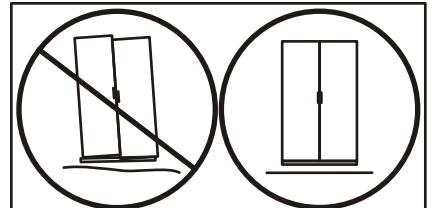
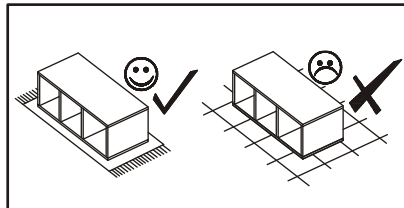
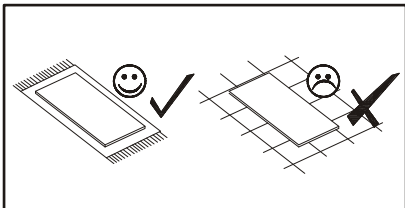
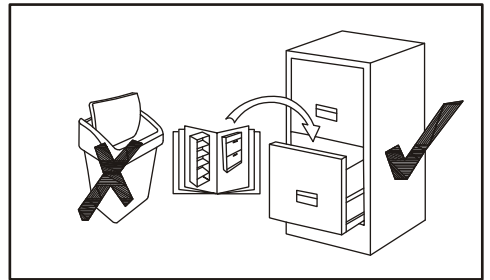
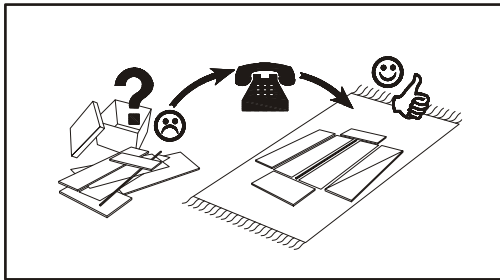
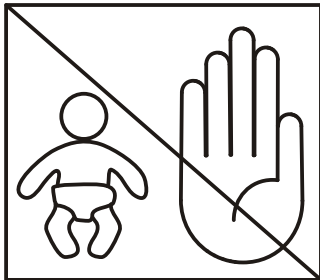
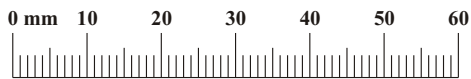


NO	Dim.			Col.-No	Qty
1U	1596	246	16	1 / 3.	1
2L	234	380	16	1 / 3.	1
12	234	326	16	1 / 3.	2
2P	234	380	16	1 / 3.	1
3D	1600	400	22	1 / 3.	1
5B	246	526	3	1 / 3.	2
5S	246	527	3	1 / 3.	1
7	1600	380	16	1 / 3.	1
4	1200	184	22	1 / 3.	1
5	1400	250	16	1 / 3.	1

SILK TYP 30, TYP 70

A1 x20 	B4 x8 	B5 x8 	G5 x8 	B11 x13 	G4 x13 
E25 x3 	E4 x3 	D10 x16 	G21 x2 	D7 x6 	S1 x14 
I11 x6 	UP15 x6 	G16 x2 	UP13 x2 	ZM1 x3 	D20 x6 
OD2 x2 	KR2 x3 	KR1 x1 	L1 x1 	G2 x1 	



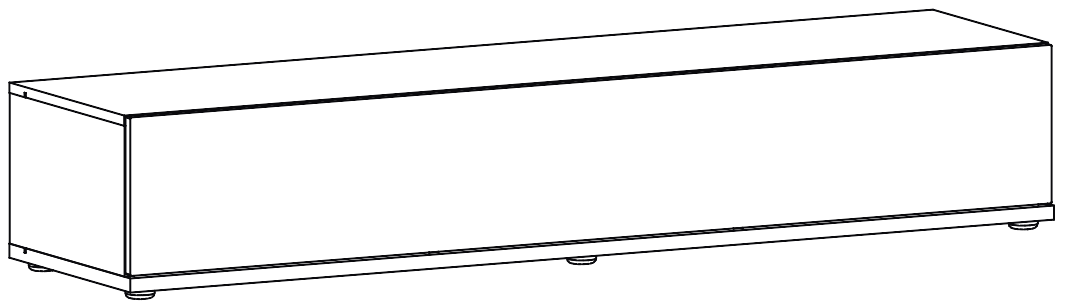
1 - 4

70

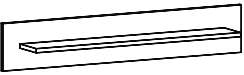


5 - 15

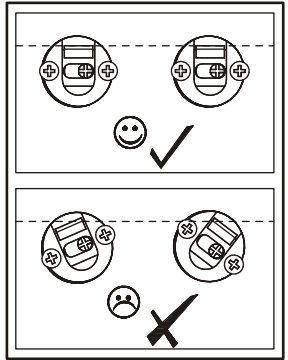
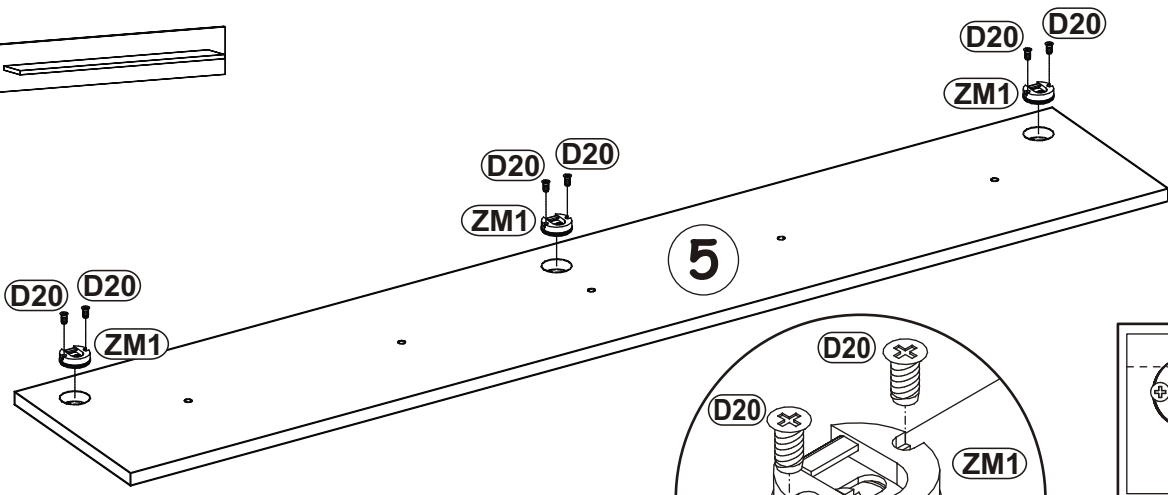
30



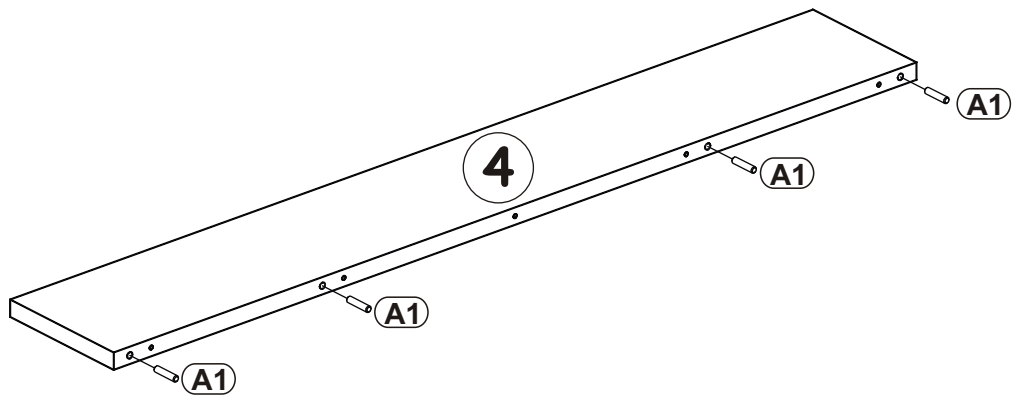
1



ZM1		D20	
x3		x6	ESØ6x9,5



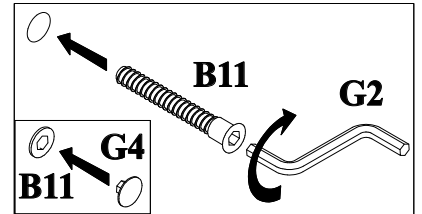
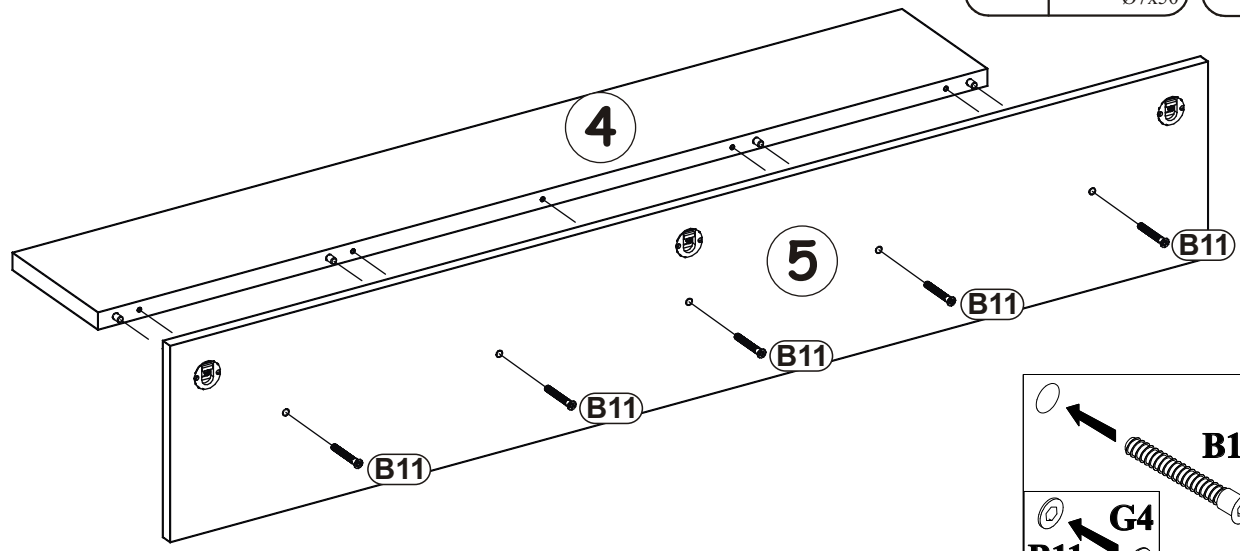
2



A1	
x4	ø8x36

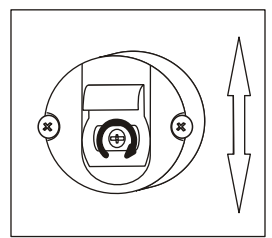
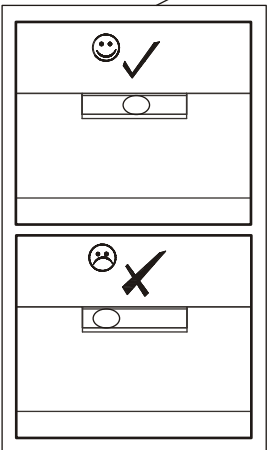
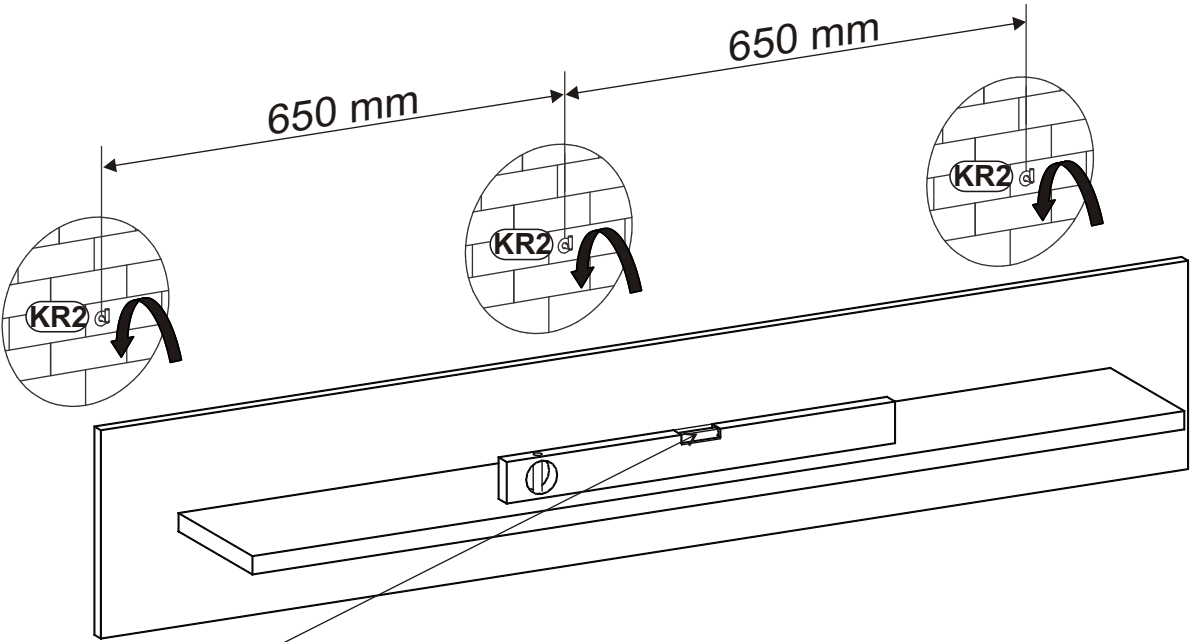
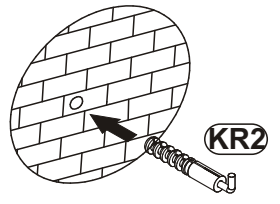
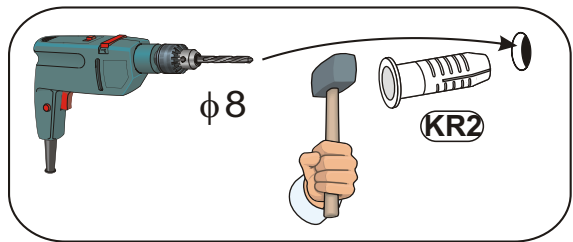
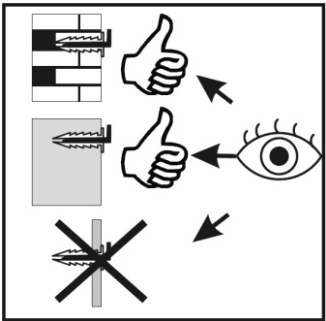
3

B11		G4	
x5	Ø7x50	x5	

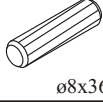


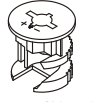
4

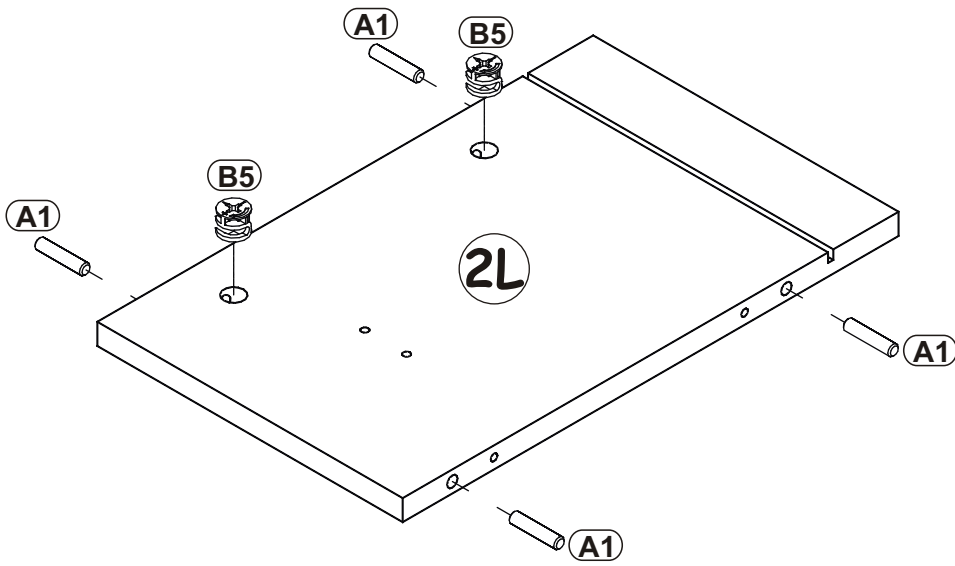
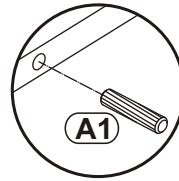
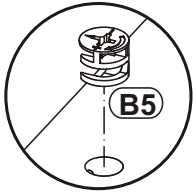
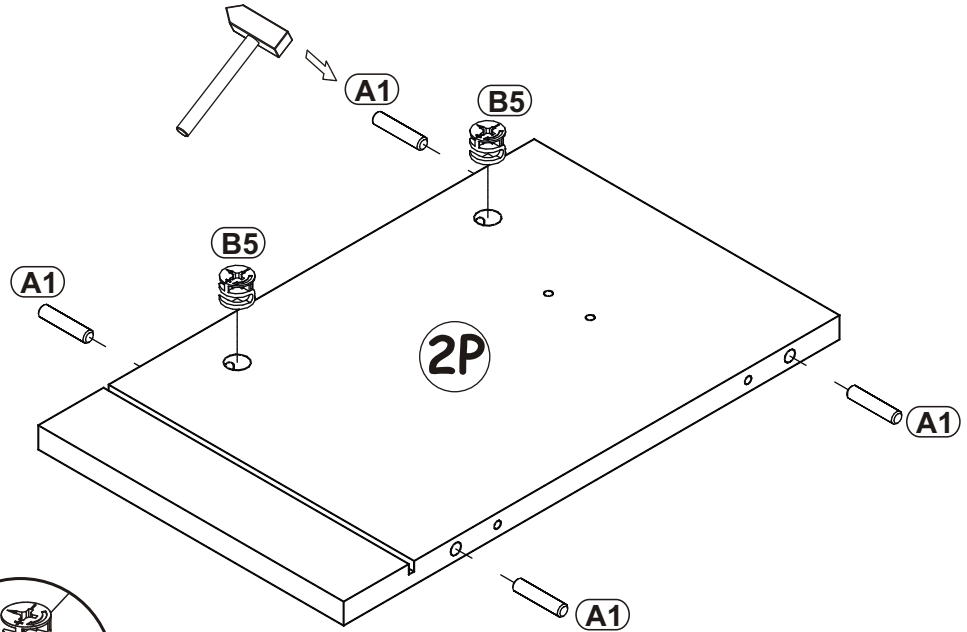
KR2  
x3



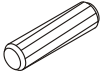

5

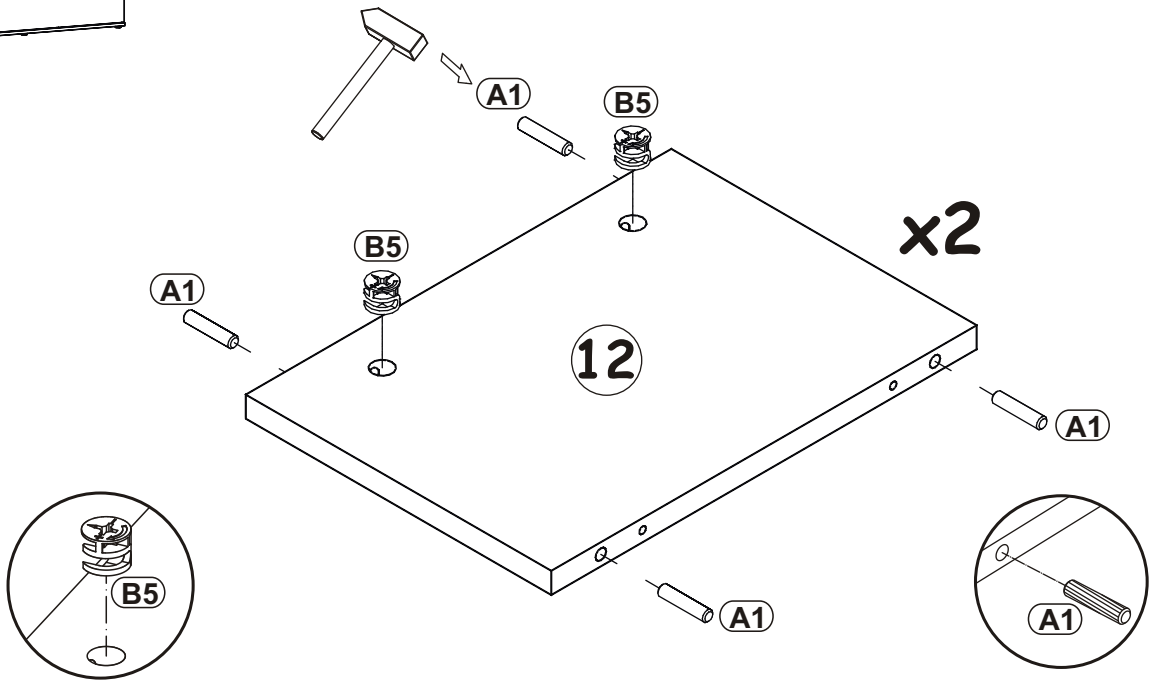
A1	 ø8x36
x8	

B5	 Ø15x12
x4	

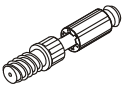


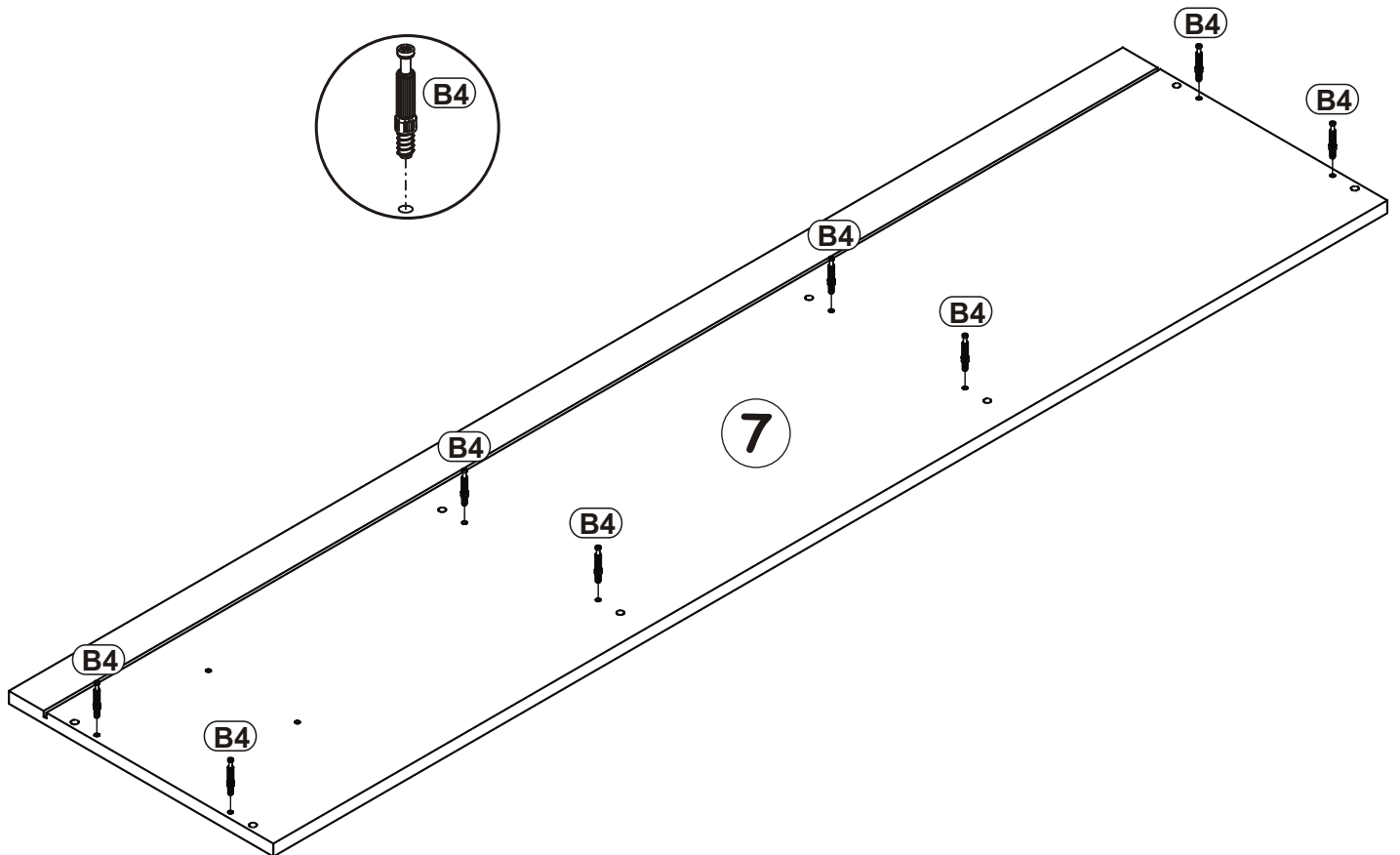
6

A1		B5	
x8	ø8x36	x4	Ø15x12



7

B4	
x8	



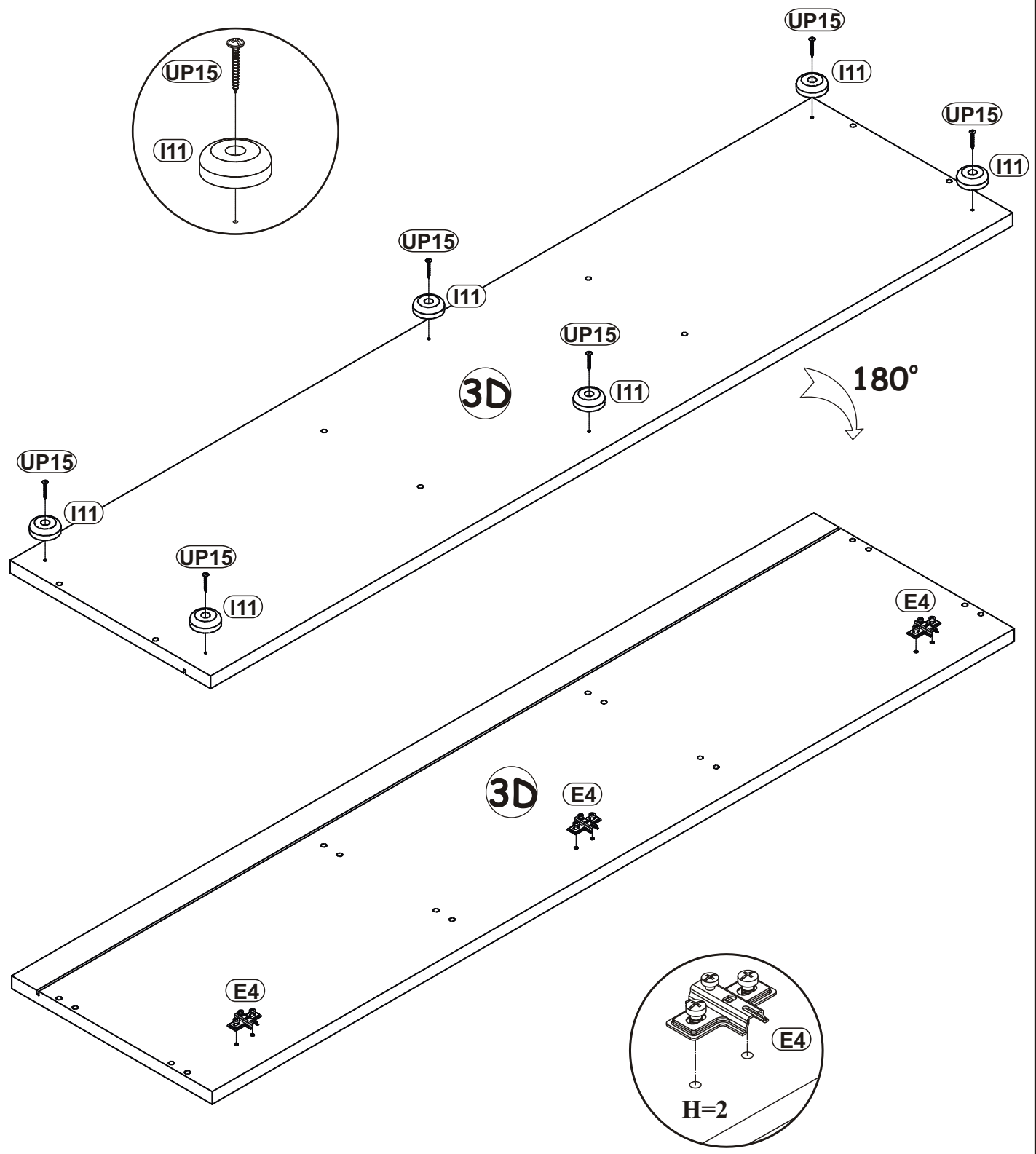
8



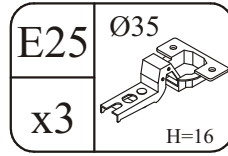
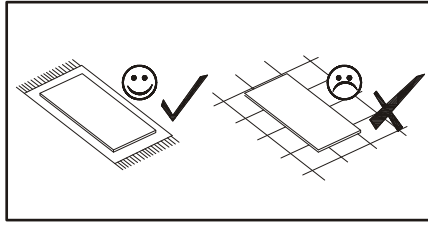
I11	
x6	Ø50, h=25

UP15	
x6	UPØ4x25

E4	
x3	H=2



9

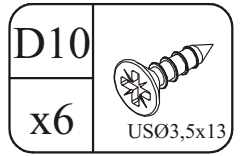


E25

Ø35

H=16

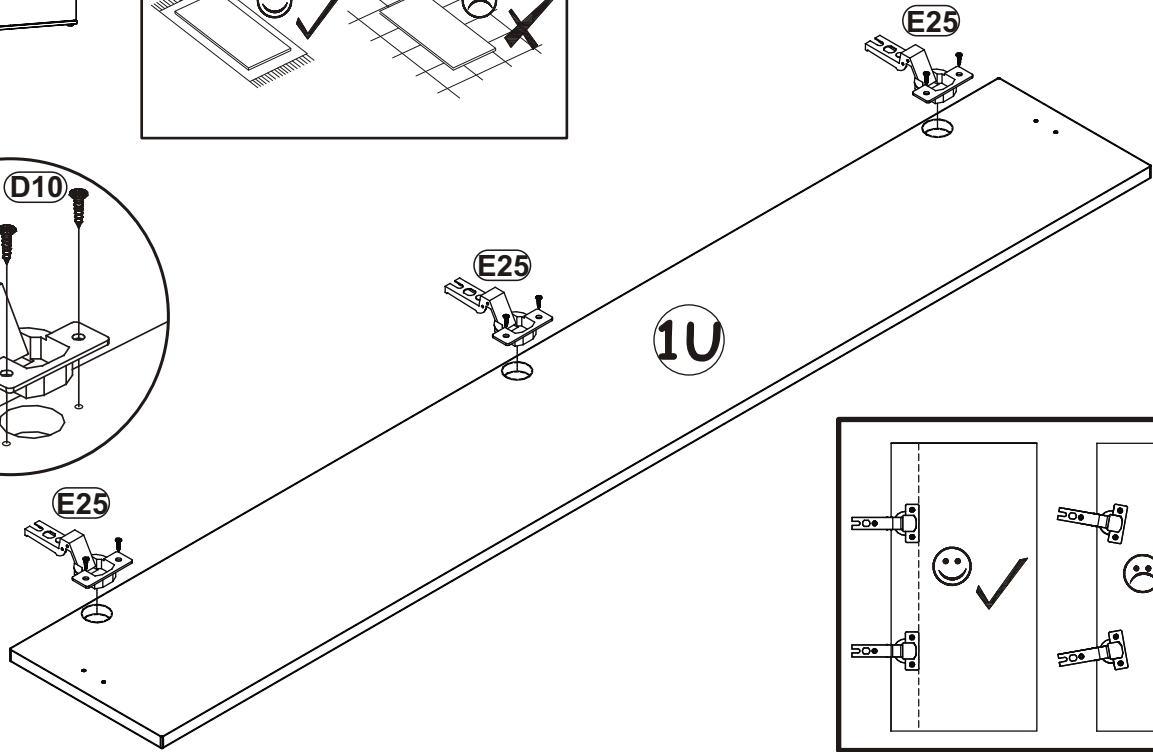
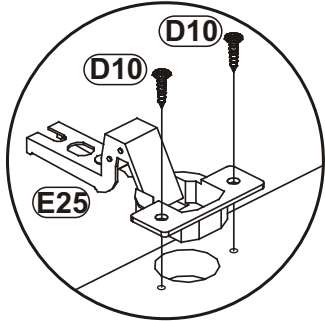
x3



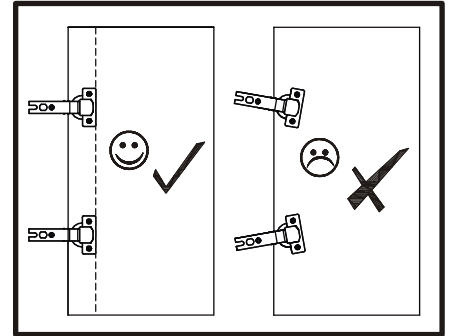
D10

x6

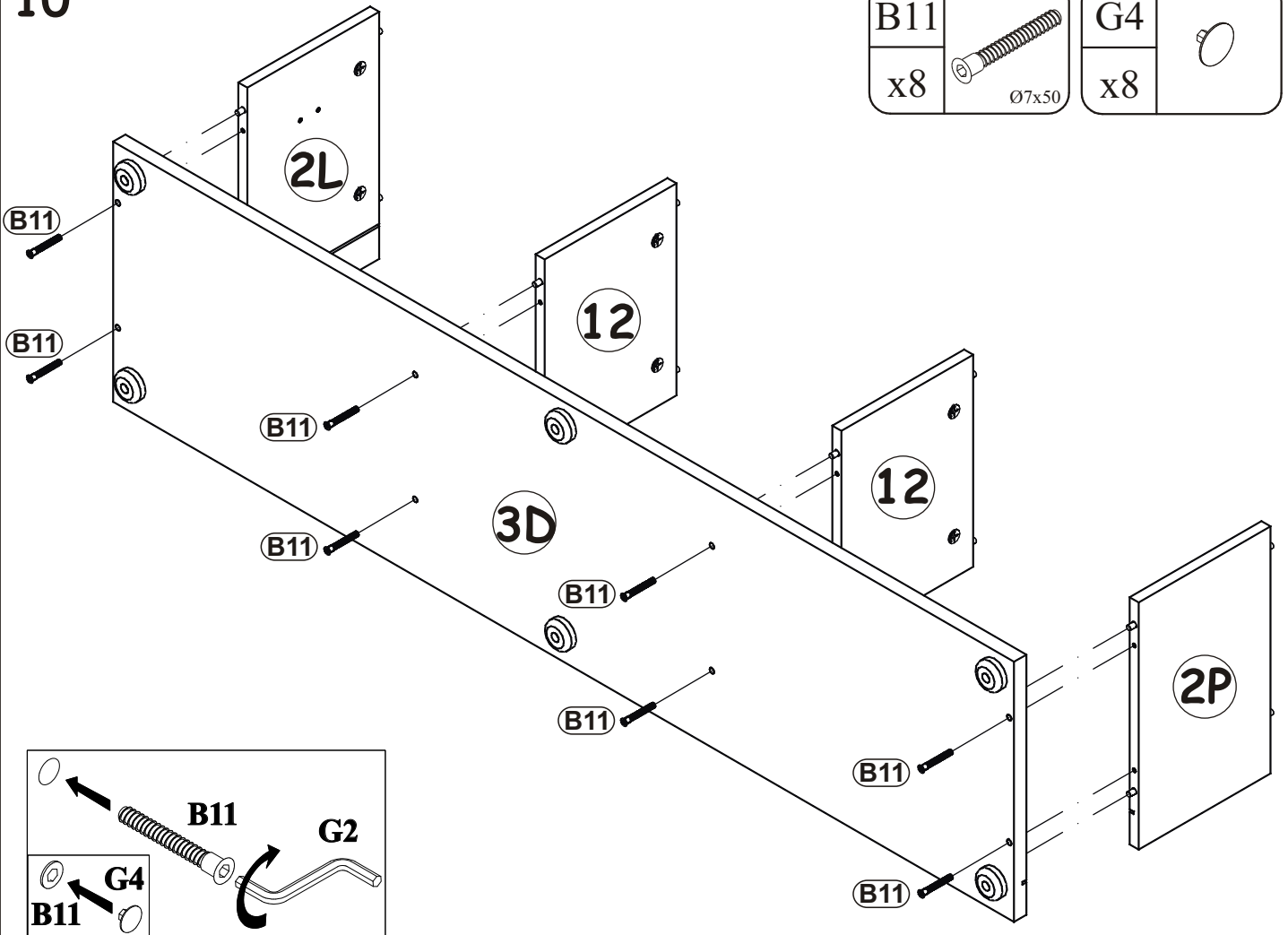
USØ3,5x13



1U



10



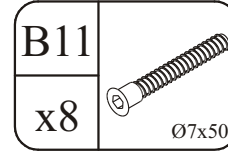
2L

12

3D

12

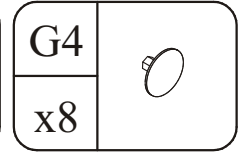
2P



B11

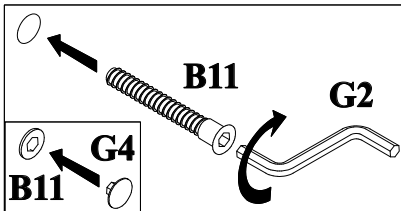
x8

Ø7x50



G4

x8



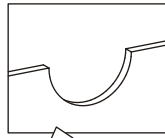
B11

G2

B11

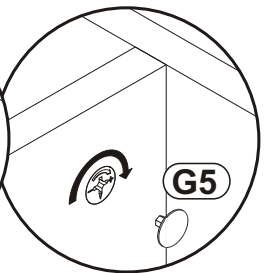
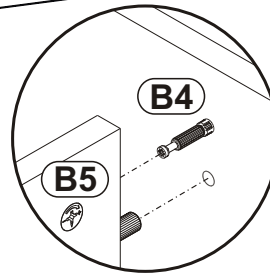
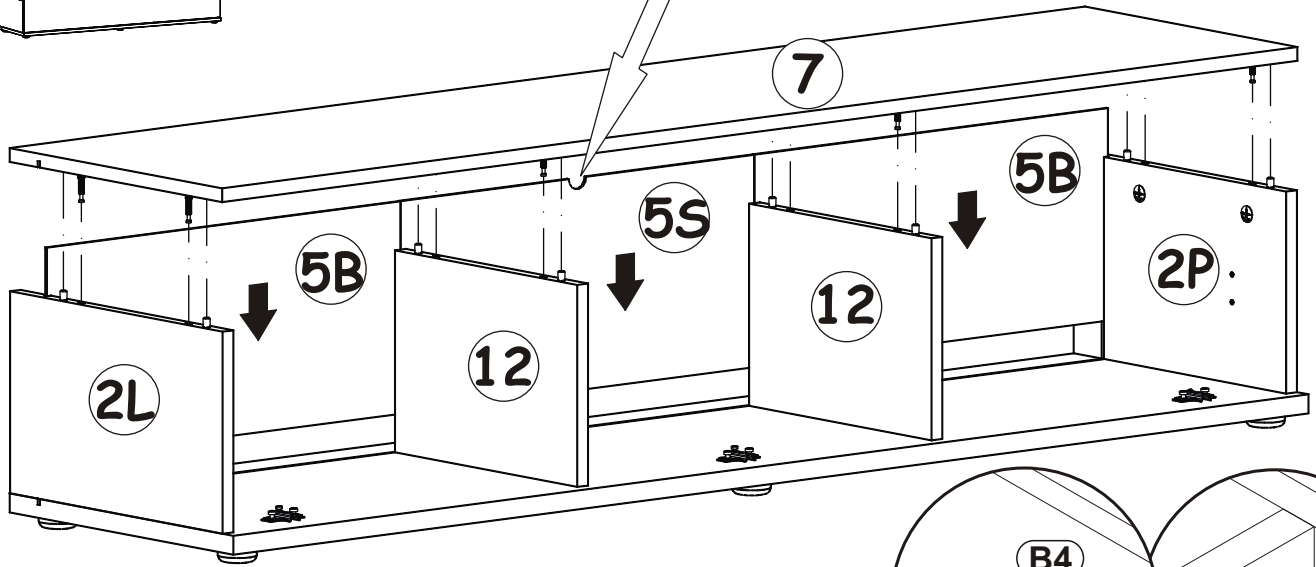
G4

11



G5

x8



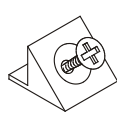
12

X=y 90°



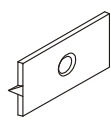
S1

x14



G16

x2

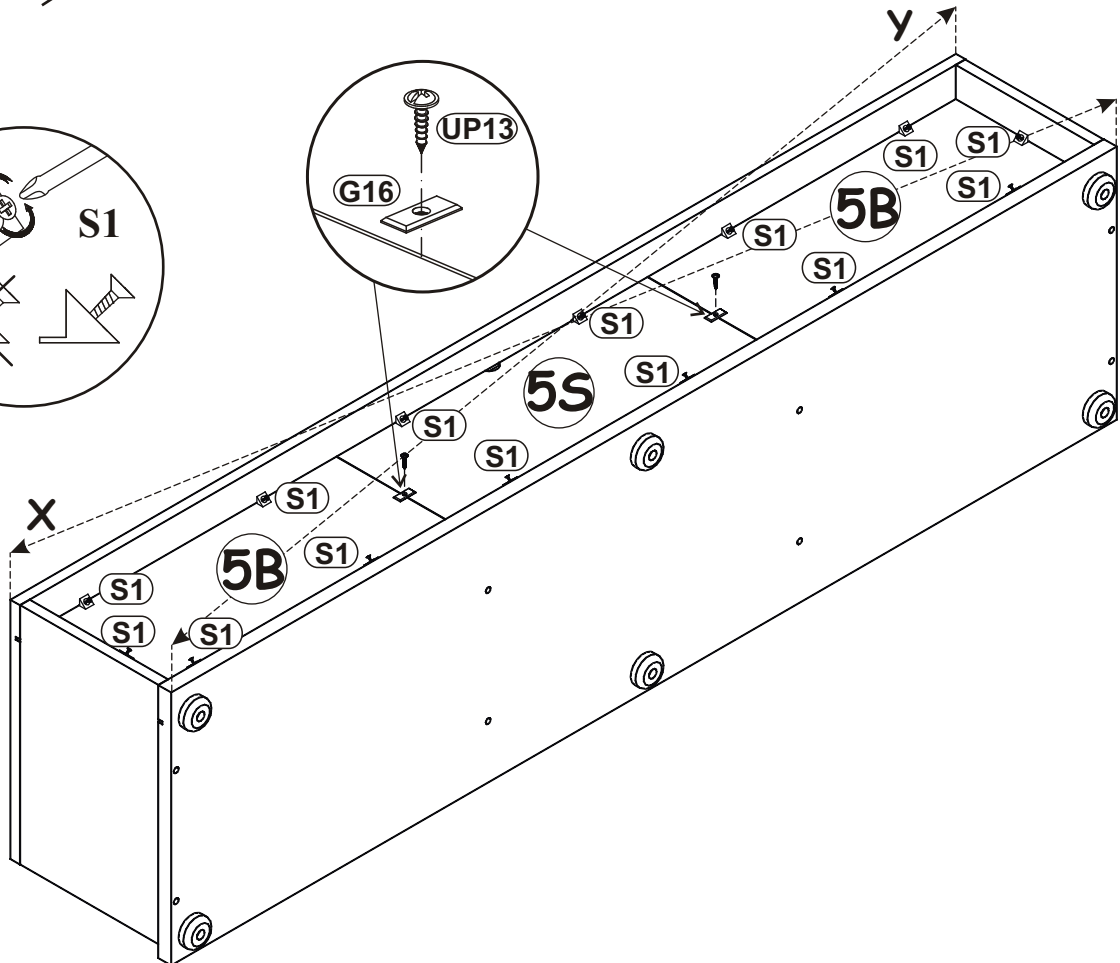
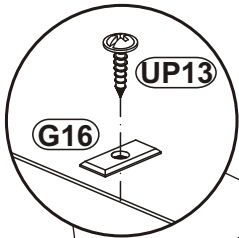
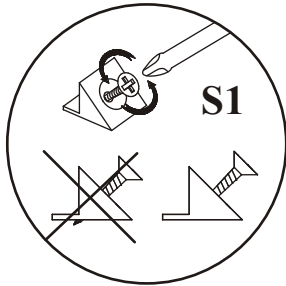


UP13

x2



UPØ3x16

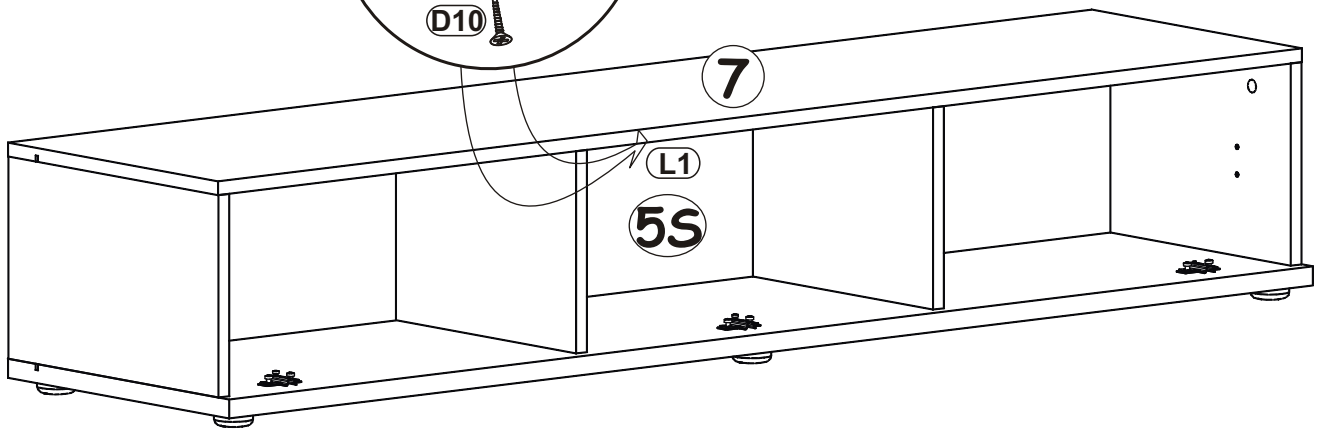
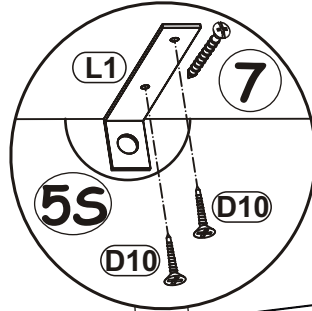
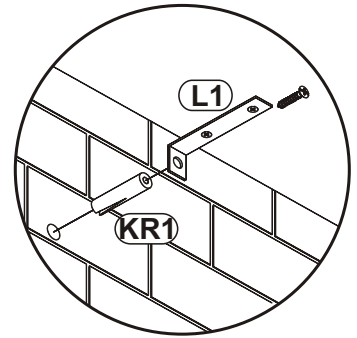
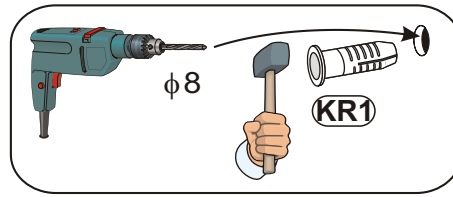
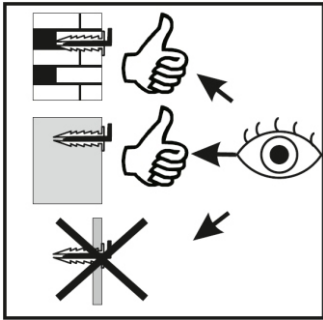


13

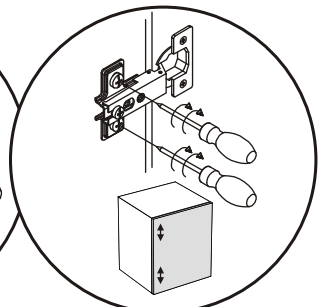
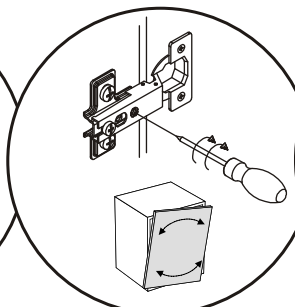
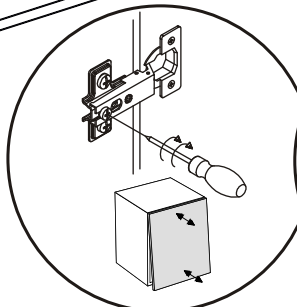
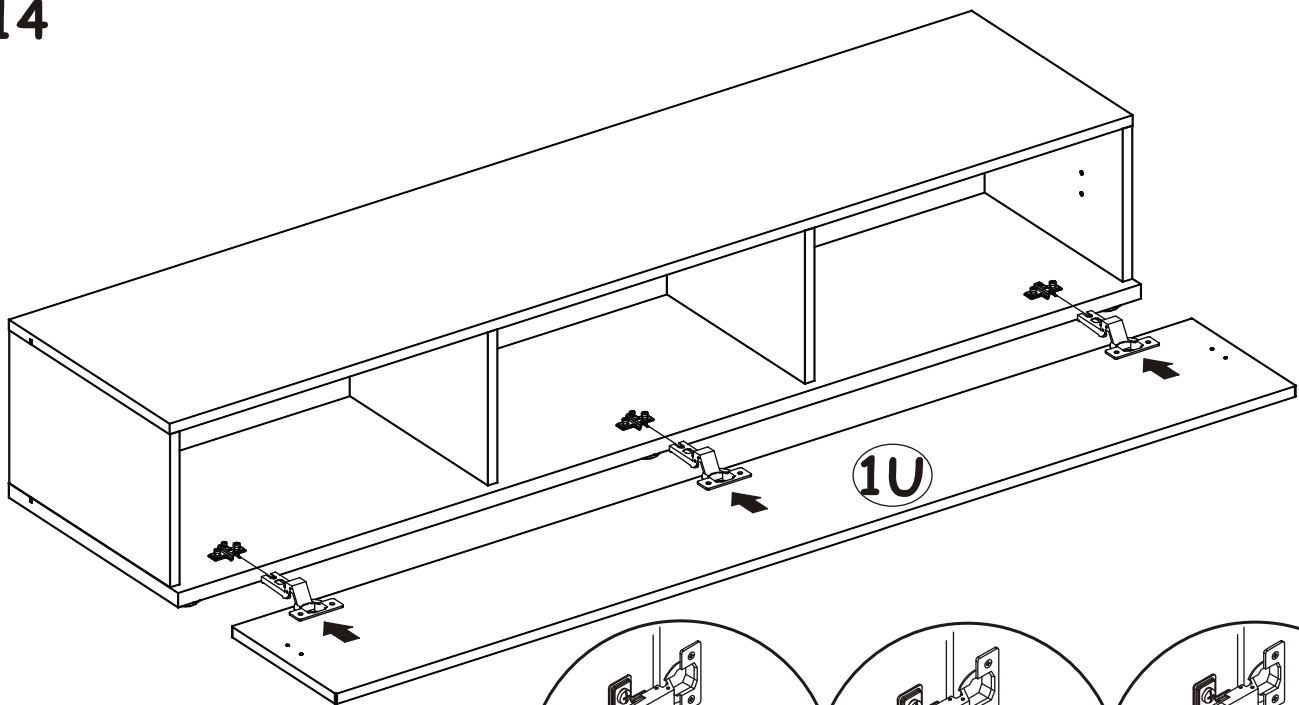
L1	
x1	

KR1	
x1	

D10	
x2	USØ3,5x13



14



15

