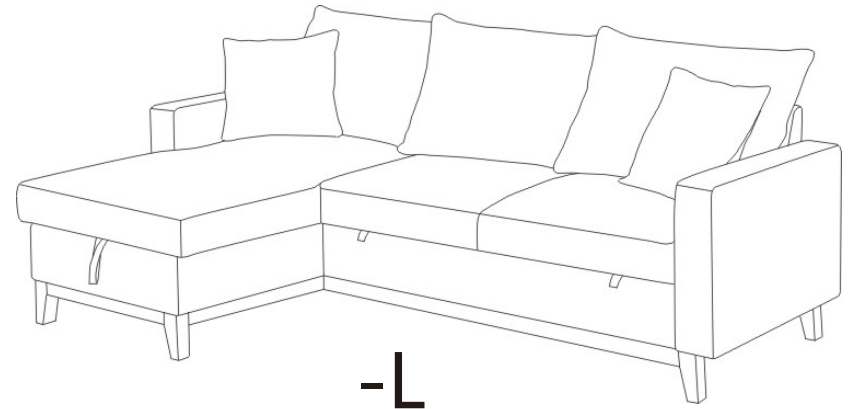
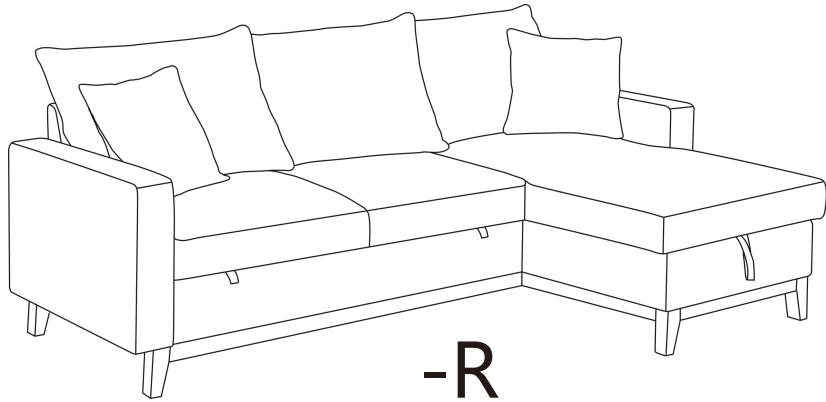
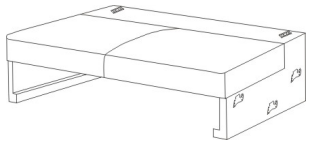


ASSEMBLY INSTRUCTION

ITEM NO.:

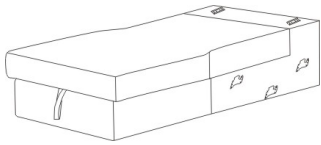


PARTS LIST



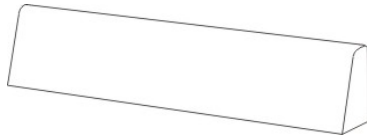
A

x1



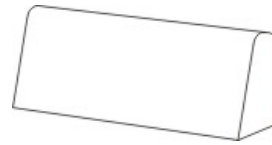
B

x1



C

x1



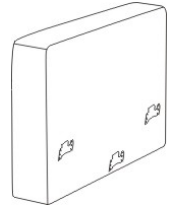
D

x1



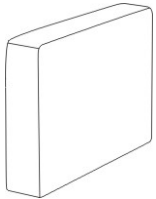
E

x1



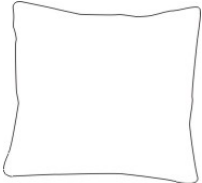
F

x1



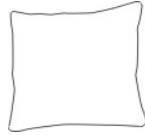
G

x1



H

x3



I

x2



J

x1



K

x2

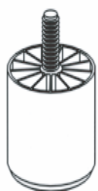
L

HARDWARE LIST



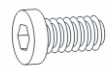
1

x4



2

x6



3

x8



4

x4



5

M4x1



6

x6



7

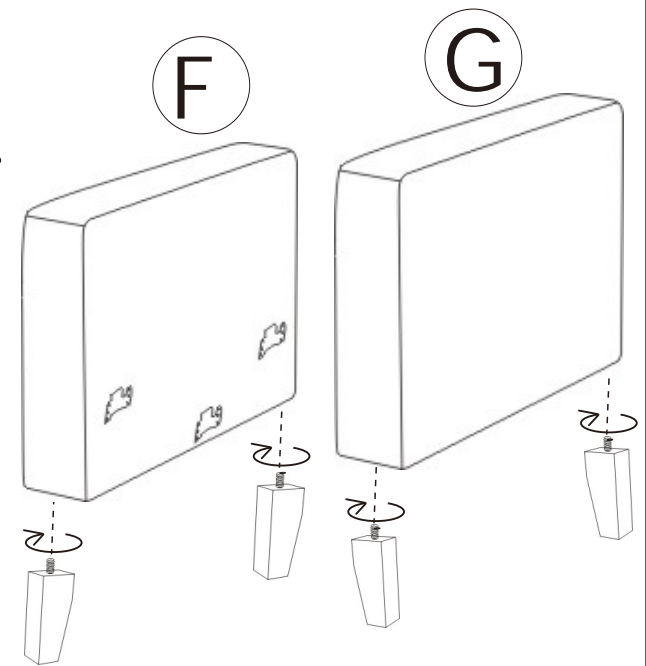
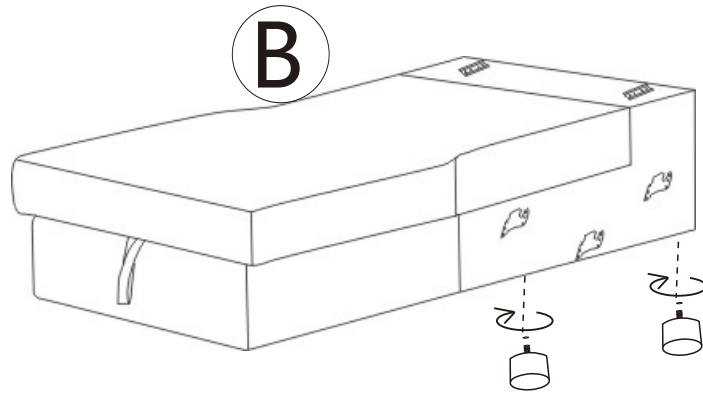
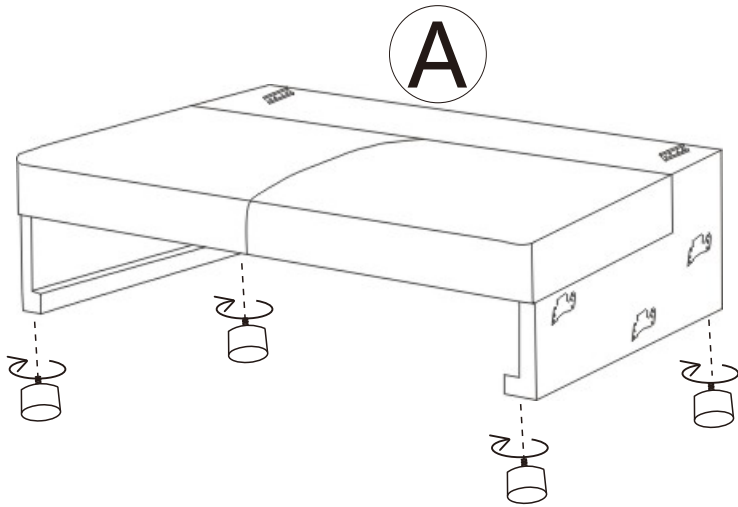
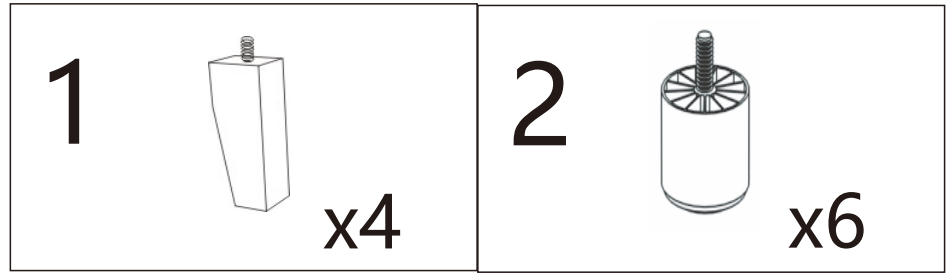
x6



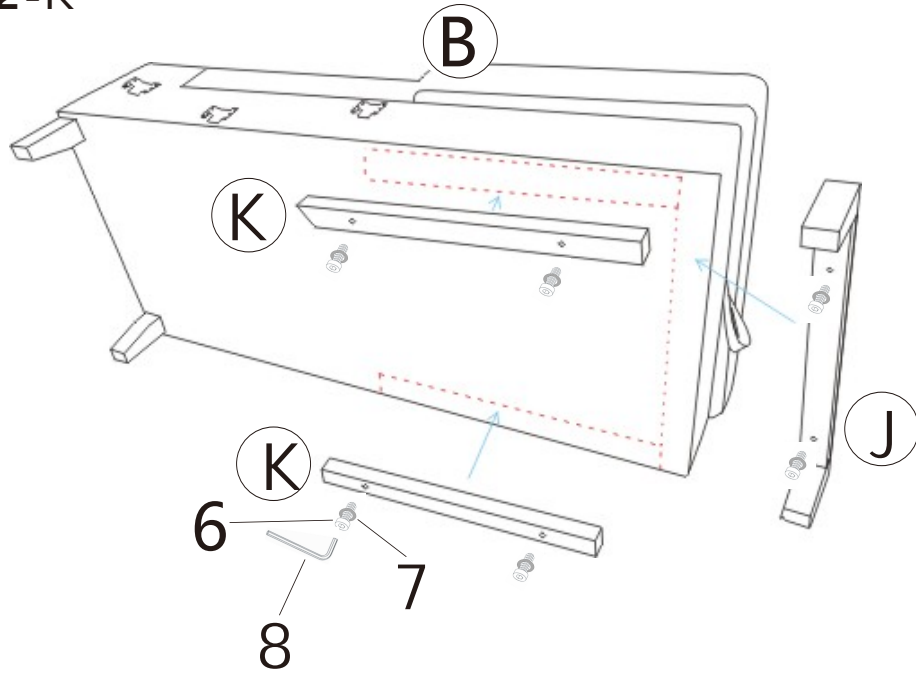
8

M5x1

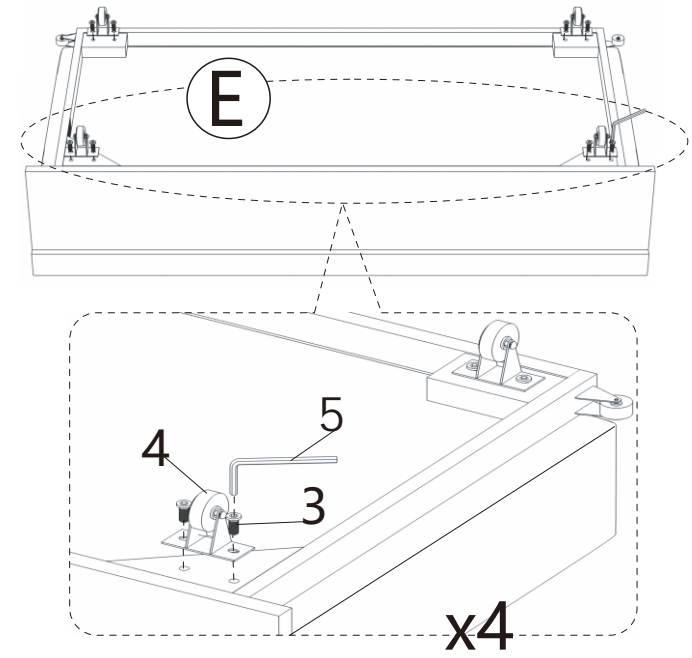
Step 1 - R/L



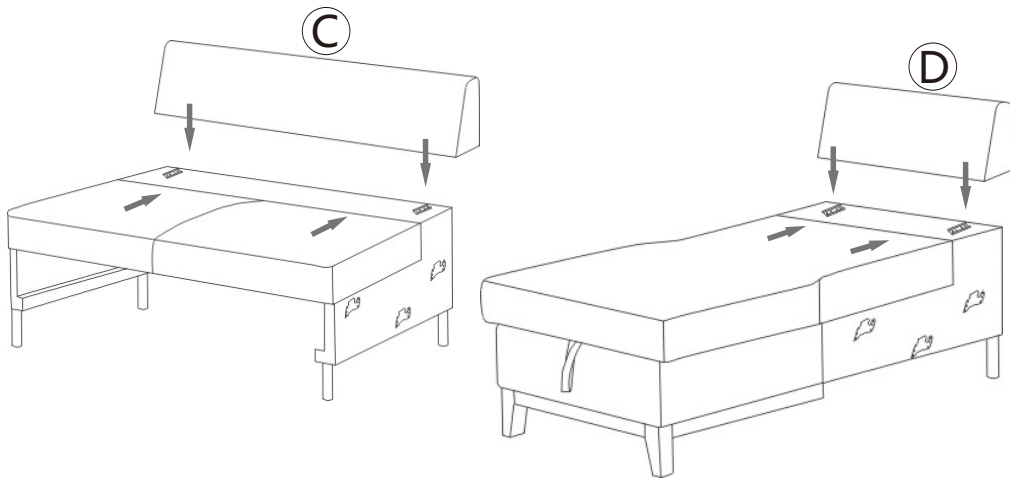
Step2-R



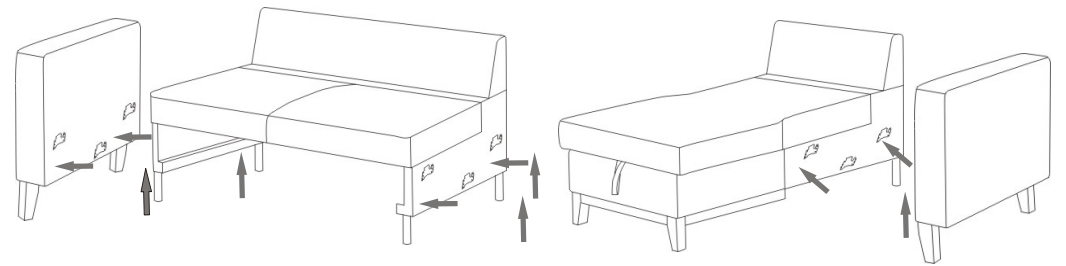
Step3-R



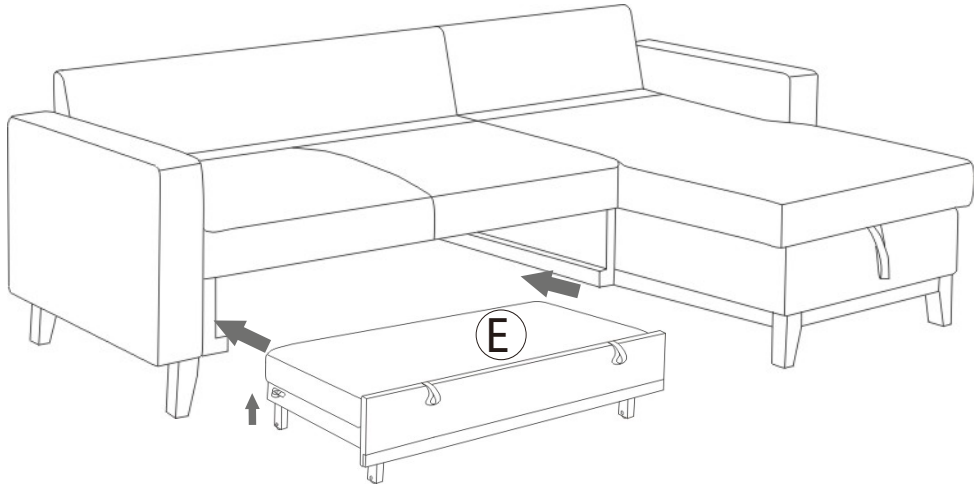
Step4-R



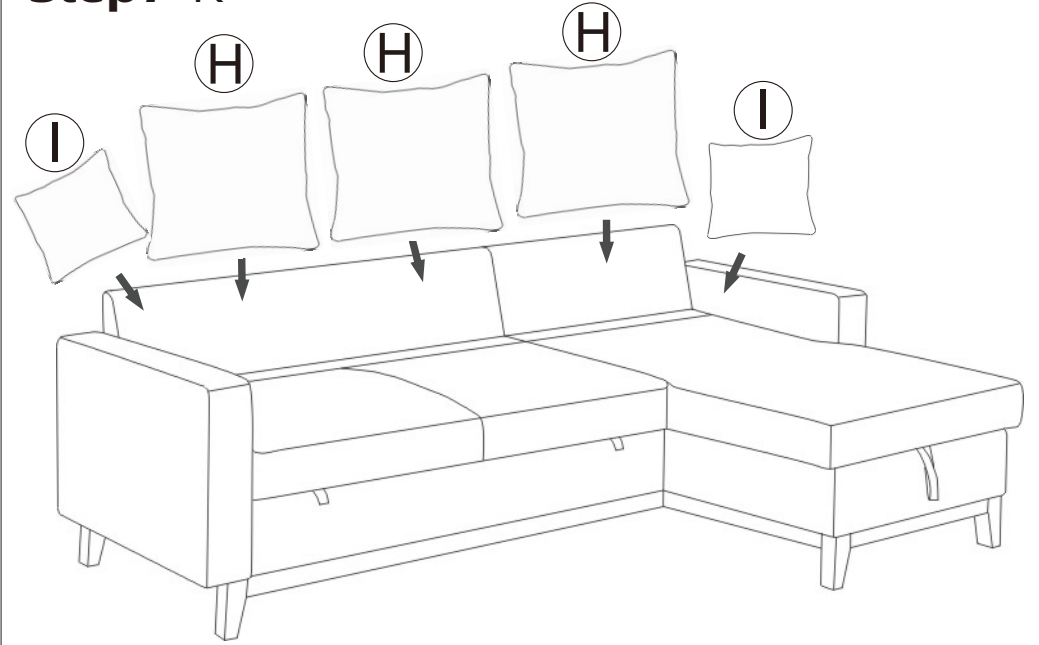
Step5-R



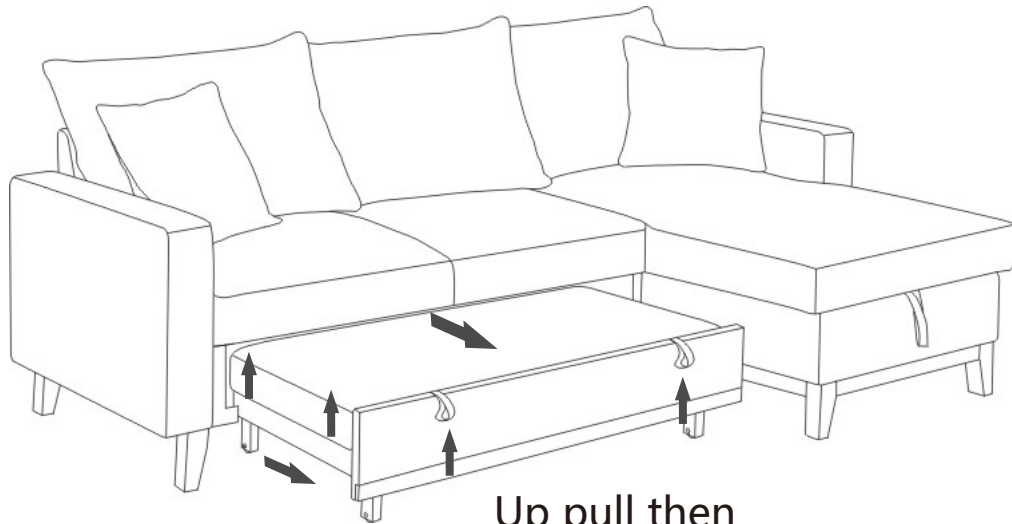
Step6-R



Step7-R

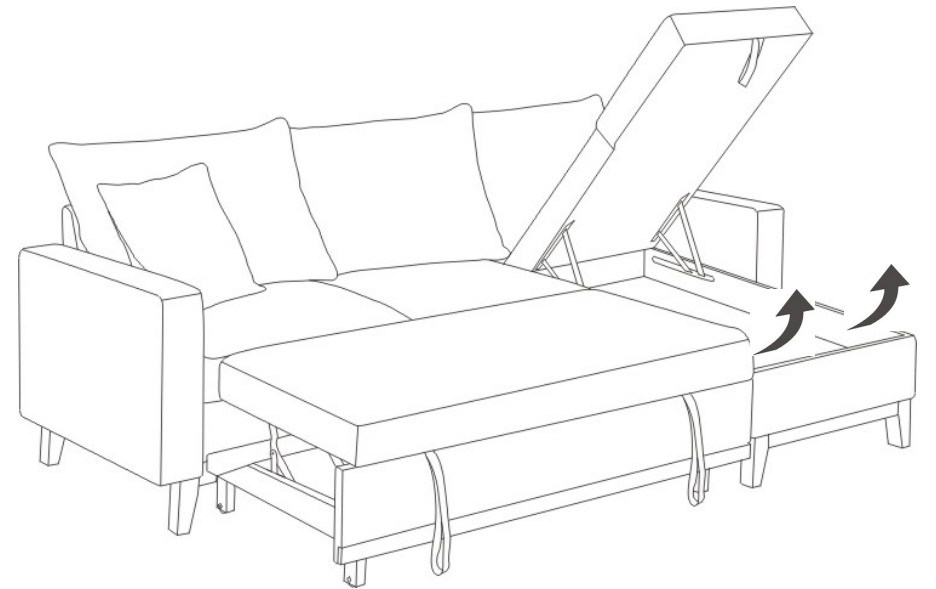


Step8-R

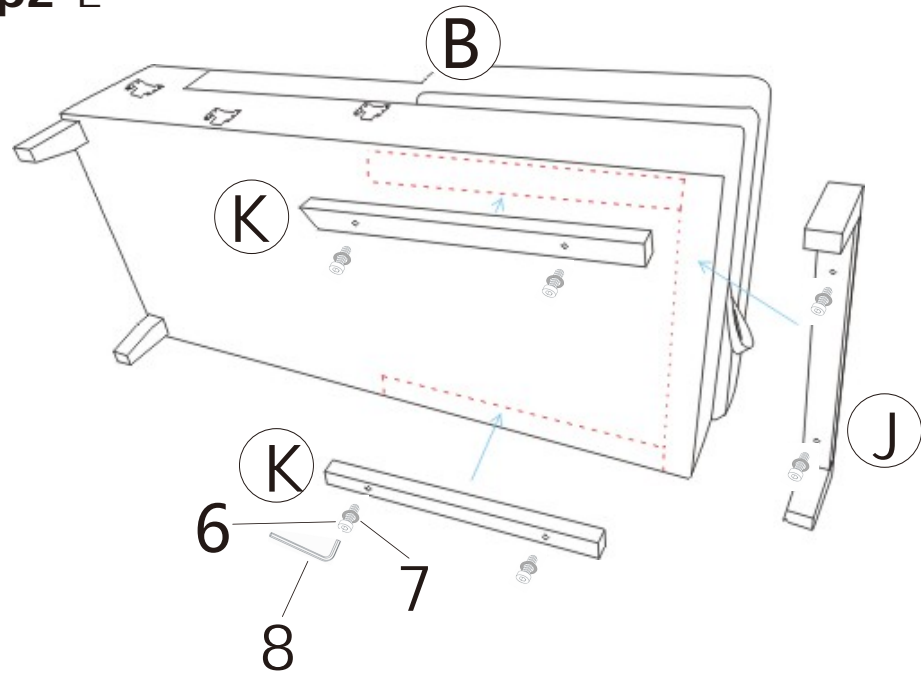


Up pull then
Forward pumping

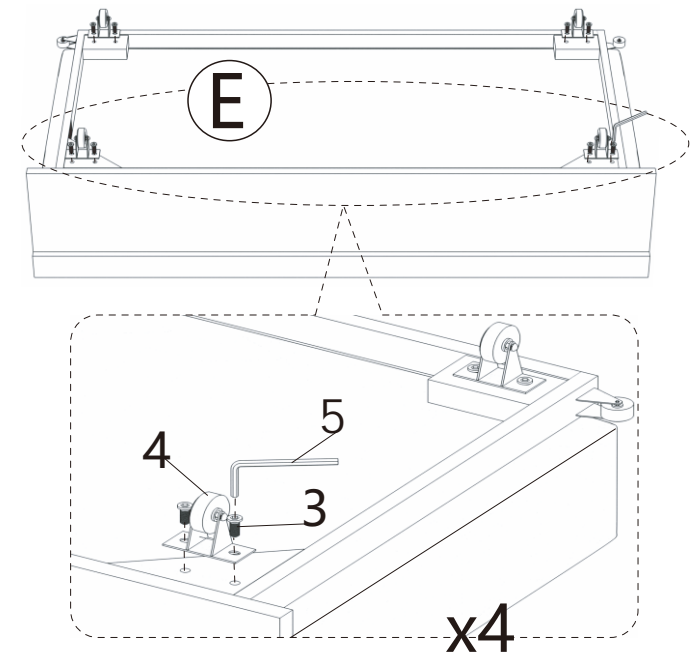
Step9-R



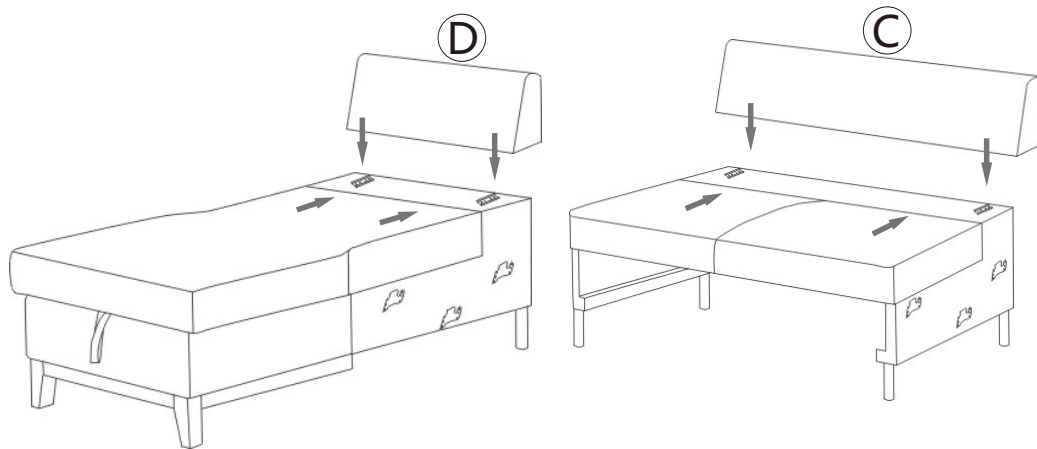
Step2-L



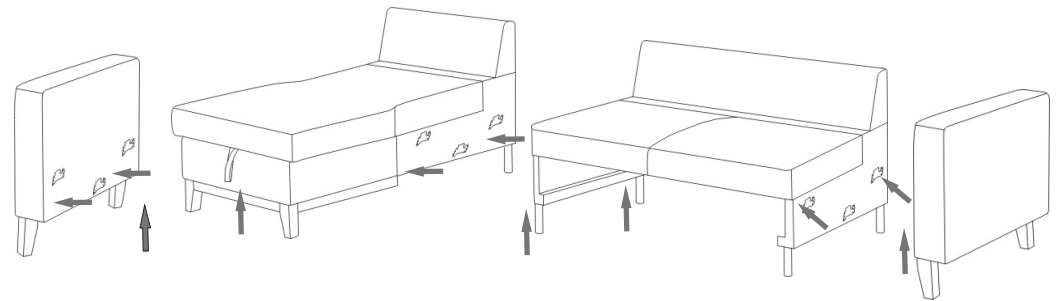
Step3-L



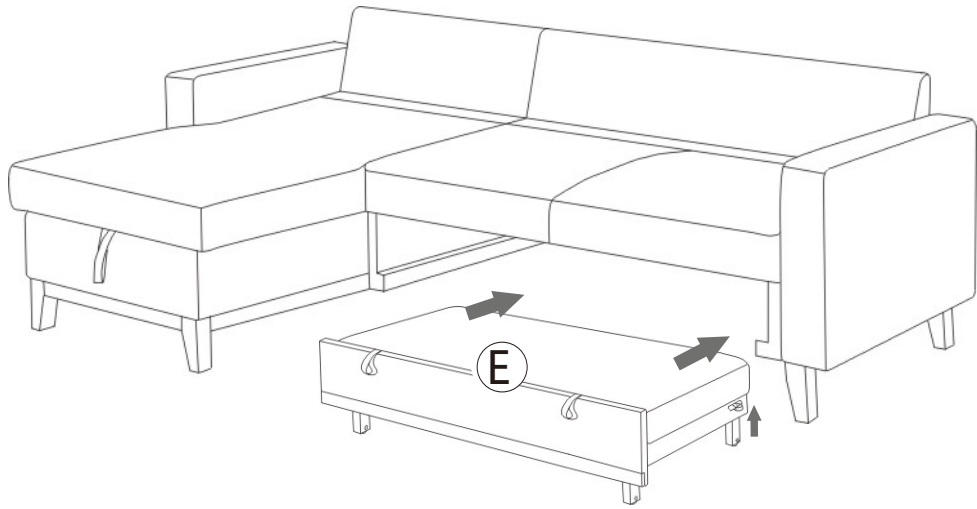
Step4-L



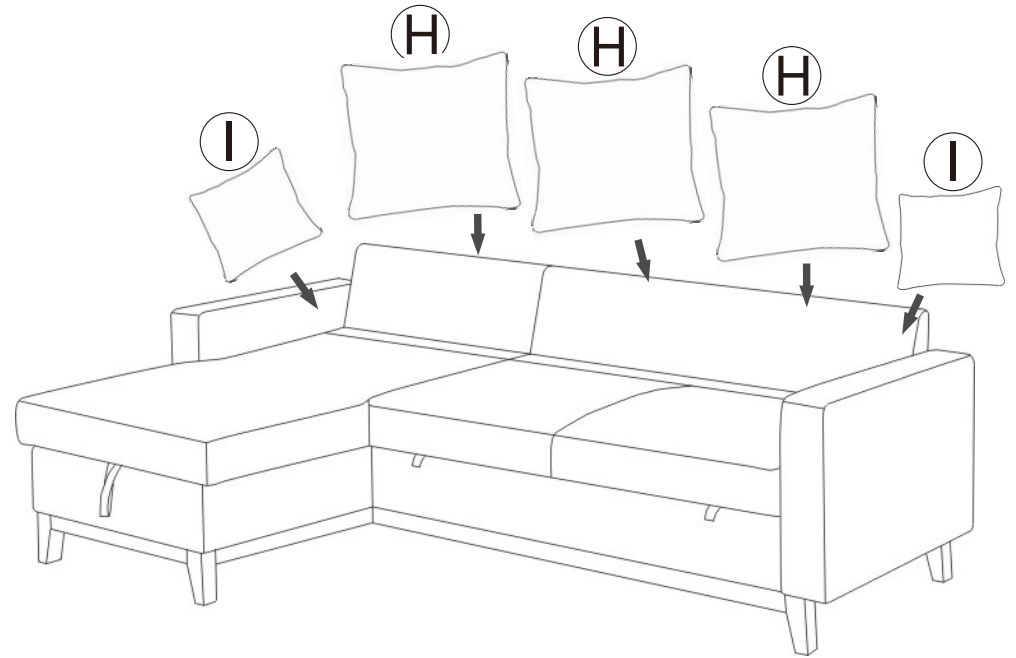
Step5-L



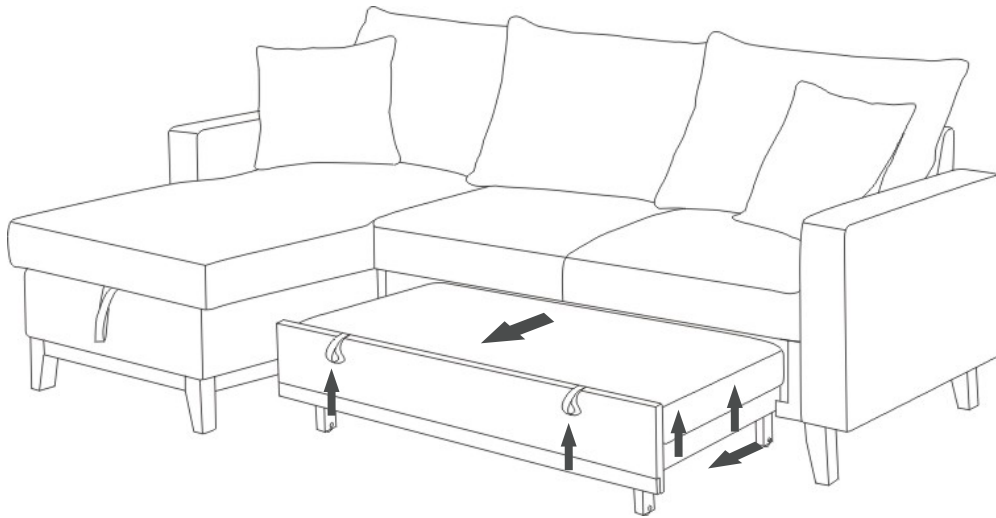
Step6-L



Step7-L

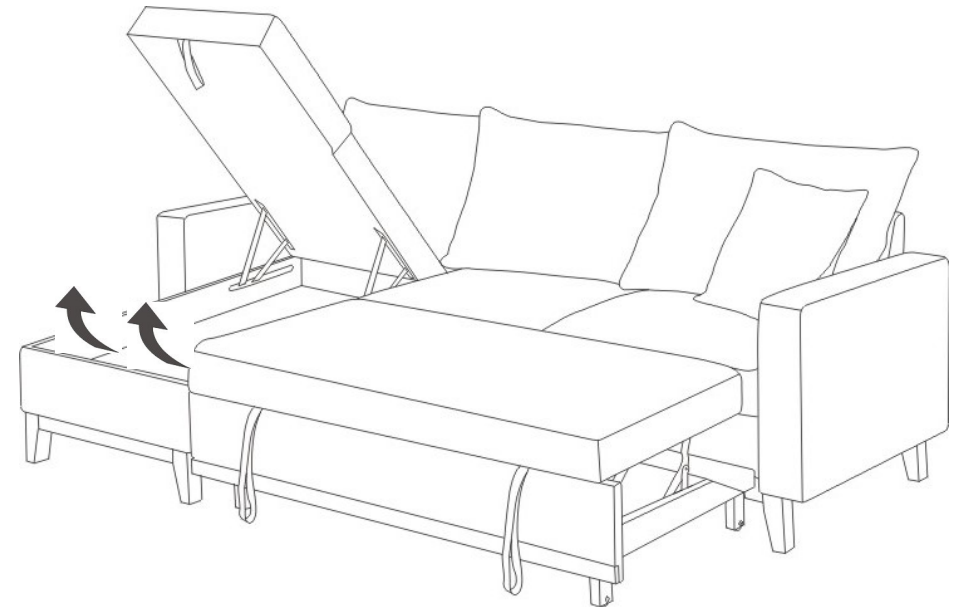


Step8-L

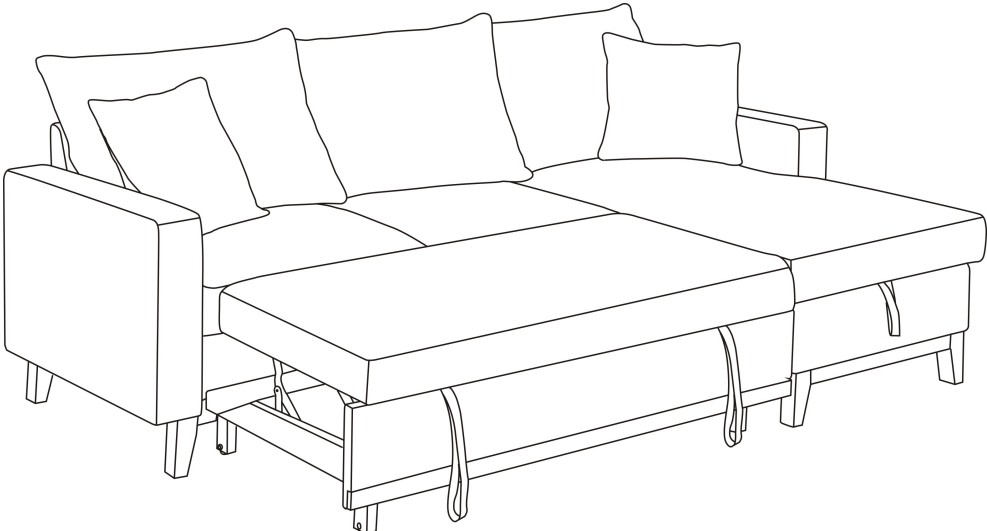


Up pull then
Forward pumping

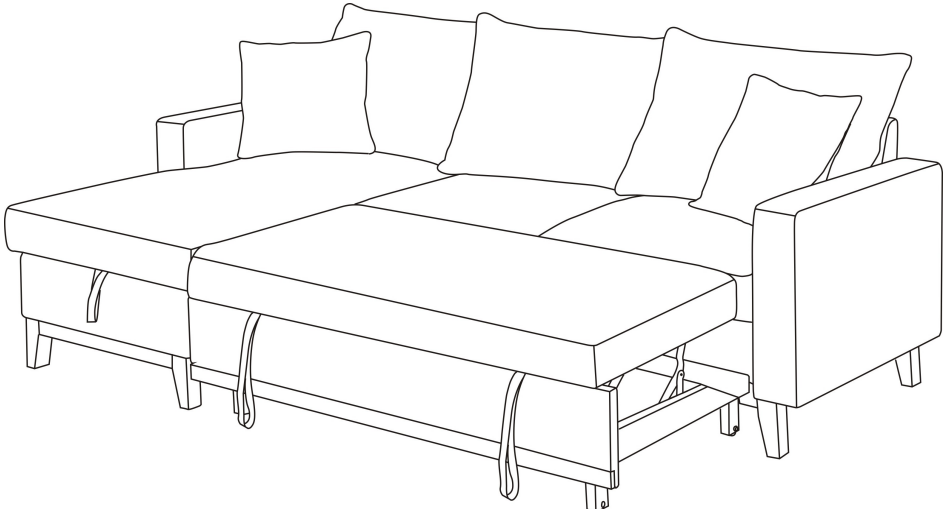
Step9-L



Step10-R/L



-R



-L