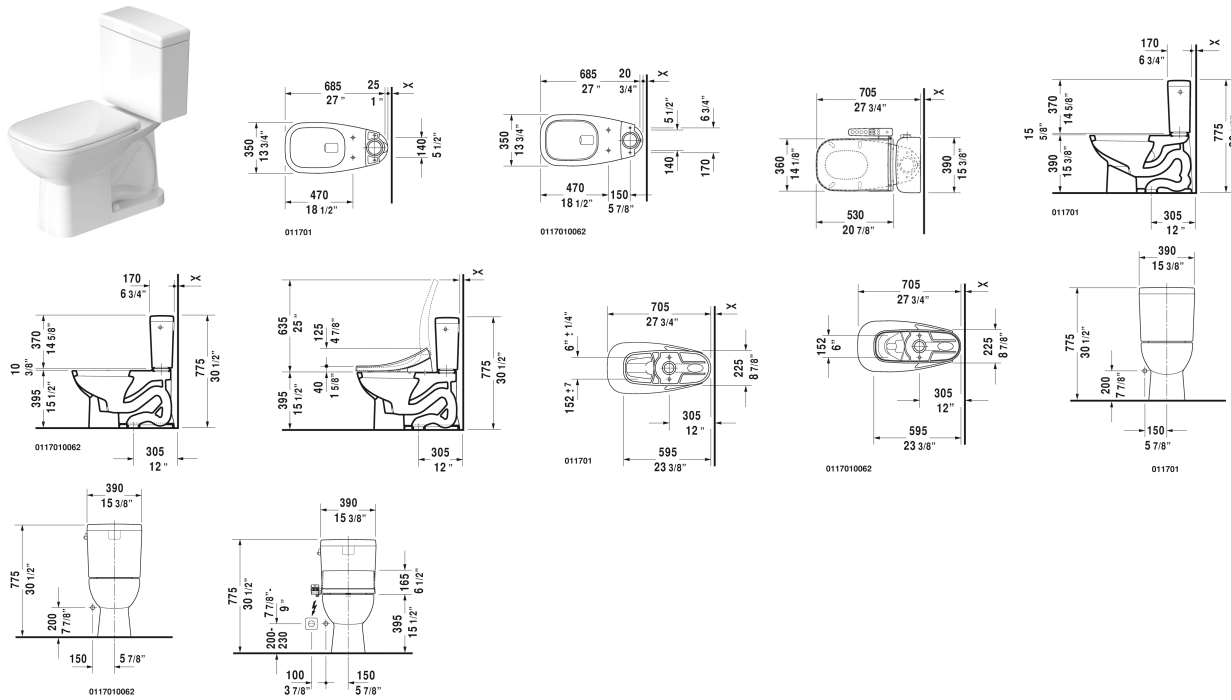


D-Code Two-Piece toilet # 011701..62 / 011701..62

< 13 3/4" Inch >



Two-Piece toilet	Dimension	Weight	Order number
(without tank), syphonic, 12" rough-in, vertical outlet, cUPC® listed*, WaterSense® listed			
Colors			
00 White 20 HygieneGlaze (an antibacterial ceramic glaze that provides almost indefinite effectiveness)			
Variant			
◆ 1.28 gpf	13 3/4" x 27" Inch	57.6 lb	011701..62
◆ 1.28 gpf	13 3/4" x 27" Inch	57.6 lb	011701..62
Infobox			
* Complies with following standards: ASME A112.19.2/CSA B45.1			
Mounting set for One-Piece and Two-Piece toilets, outlet 3/8" - male thread, wall connection 1/2" - female thread, 1/2", North American version	15" Inch	1.1 lb	001431
Suitable products			

D-Code Two-Piece toilet # 011701..62 / 011701..62

|< 13 3/4" Inch >|

Toilet seat and cover elongated, hinges stainless steel, without slow close,	006741
Tank with single flush mechanism, with side lever, 3" flapper valve, bottom left supply, cUPC® listed*, WaterSense® listed, 1.28 gpf, 15 3/8" x 6 3/4" Inch	092720
Toilet seat and cover elongated, hinges stainless steel, removable, with slow close,	006209

All drawings contain the necessary measurements which are subject to standard tolerances. They are stated in inch & mm and are non-binding. Exact measurements, in particular for customized installation scenarios, can only be taken from the finished ceramic piece.