








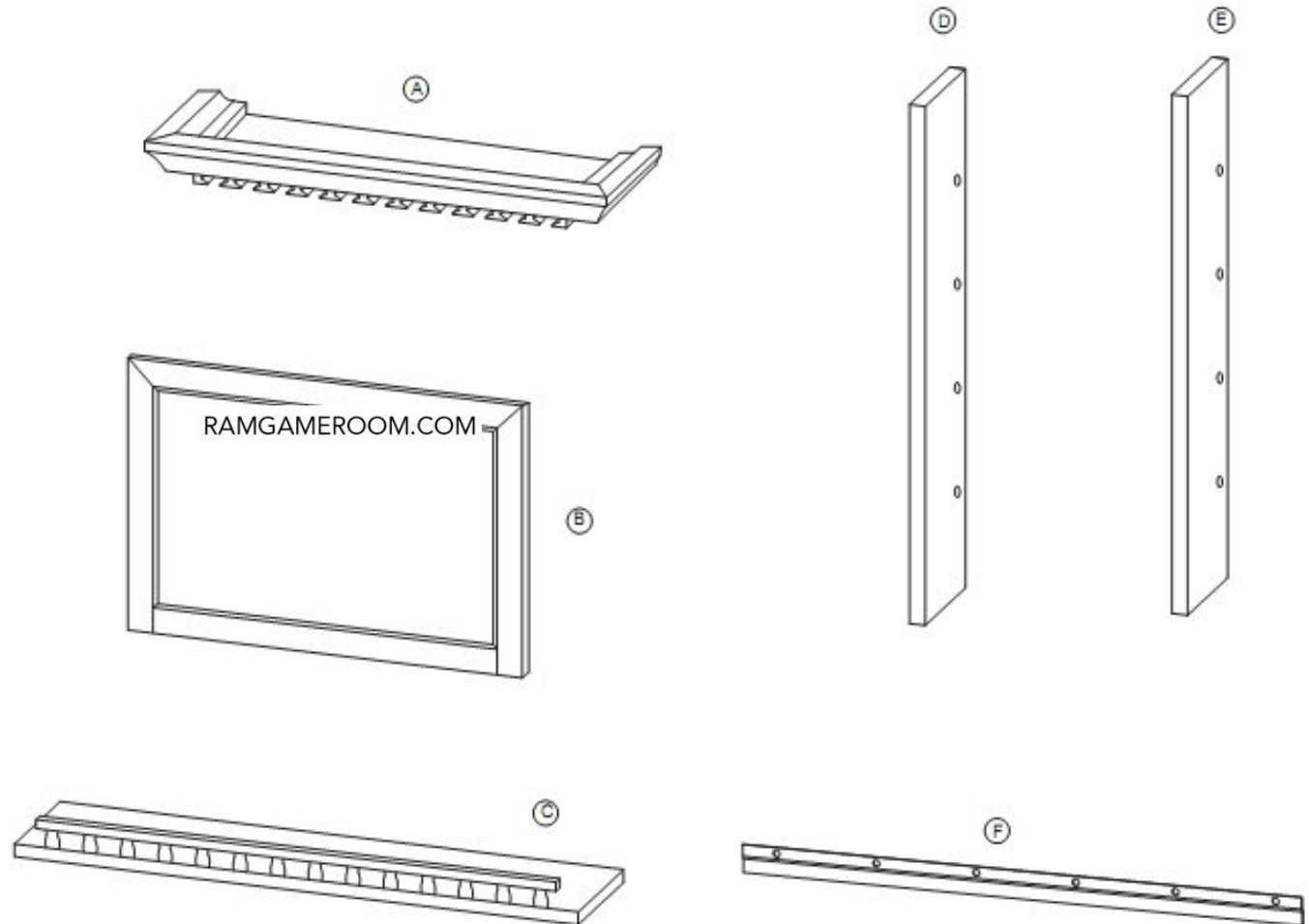
ASSEMBLY INSTRUCTIONS

BAR MIRROR

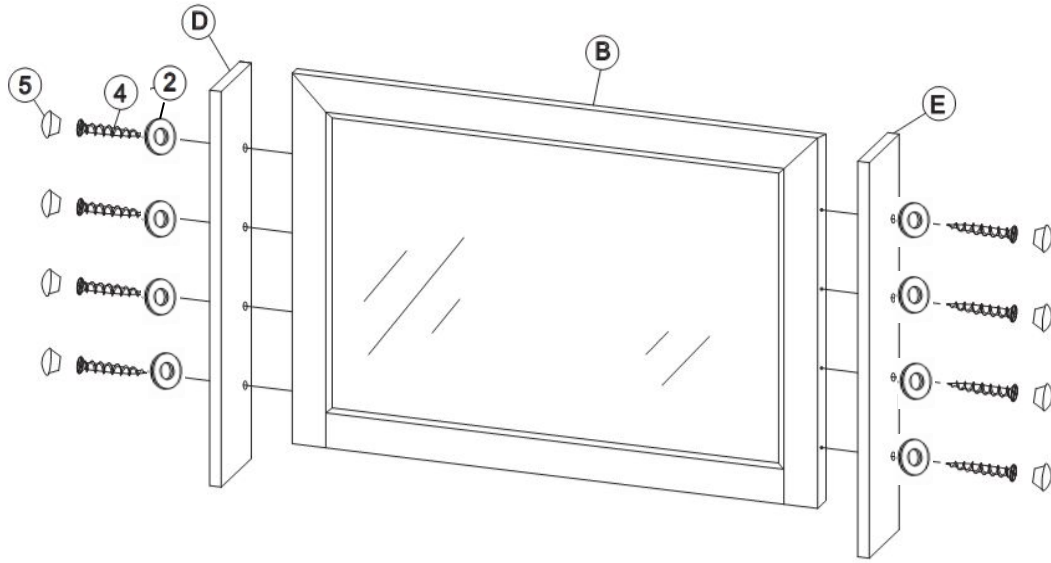
Read this instruction carefully. Refer hardware and furniture parts list for guidance. Be sure all parts are complete, before assembling. Place all wooden furniture part on a clean and flat soft surface to prevent scratches. Refer steps provided as assembling guide.

PART LIST		
ITEM	DESCRIPTION	QTY
A	Top Panel	1PC
B	Mirror	1PC
C	Bottom Panel	1PC
D	Side Panel (Left)	1PC
E	Side Panel (right)	1PC
F	Aluminium Strip	2PCS

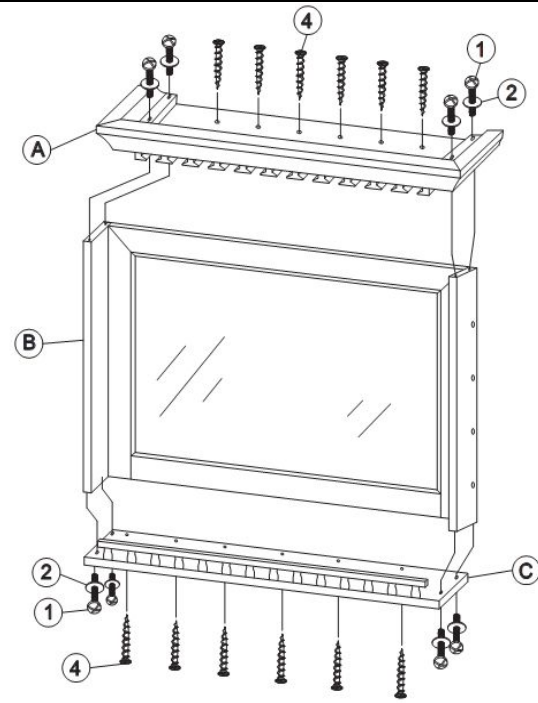
PART LIST		
ITEM	DESCRIPTION	QTY
1	Bolts 1/4" x 35MM 	8PCS
2	Washers 1/4" x 12mm 	16PCS
3	Wood Screw M4 x 20mm 	6PCS
4	Wood Screw M4 x 35mm 	26PCS
5	Wood Plugs 	8PCS
6	Plastic Set 	6PCS
7	Allen Key 	1PC



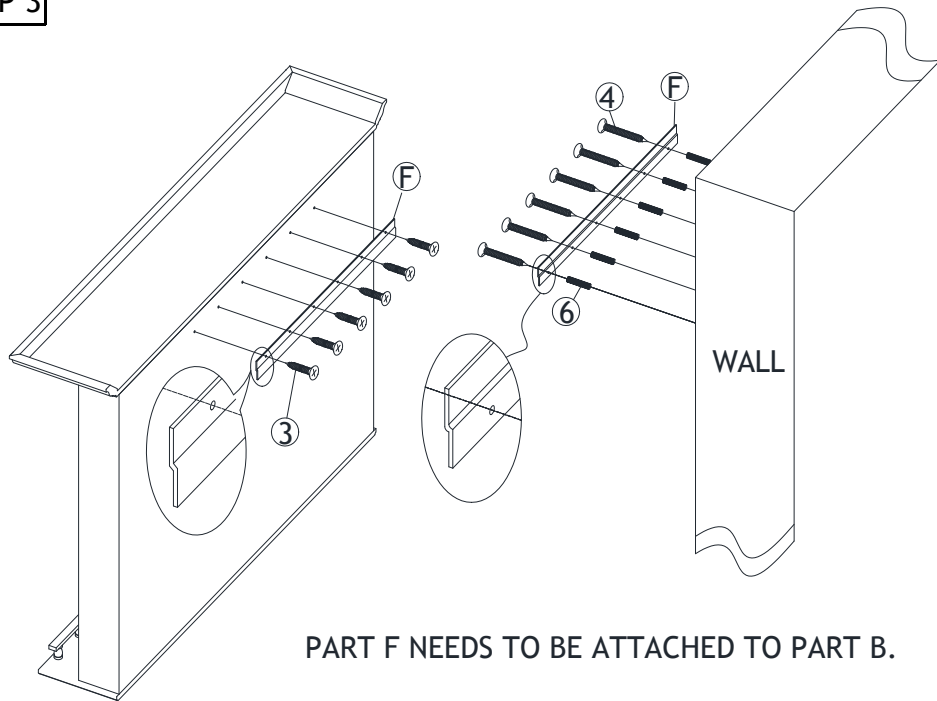
STEP 1



STEP 2

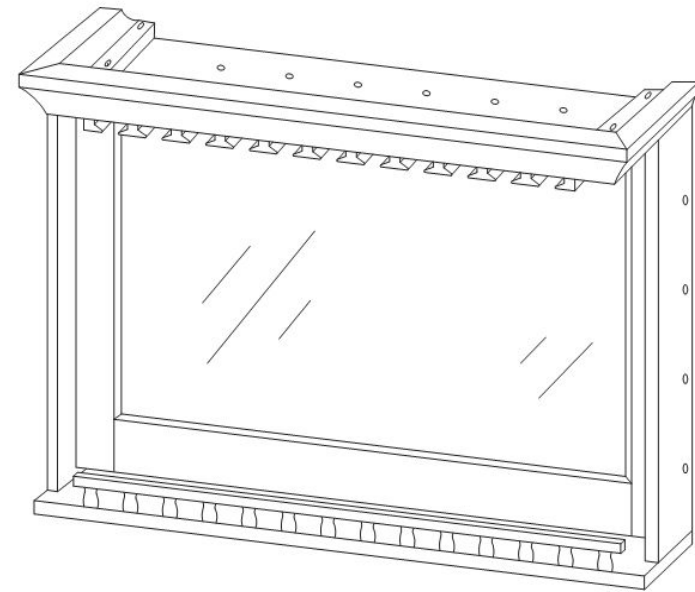


STEP 3



PART F NEEDS TO BE ATTACHED TO PART B.

STEP 4



COMPLETED ASSEMBLY