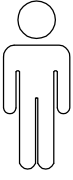
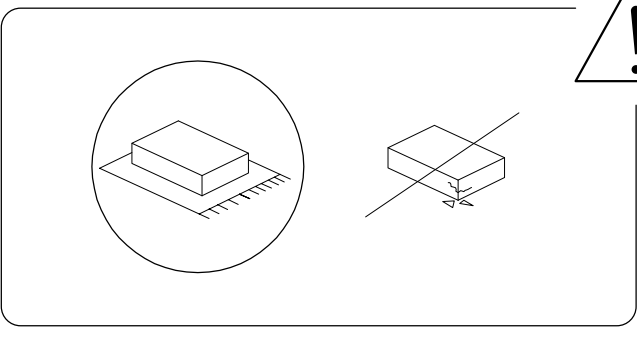
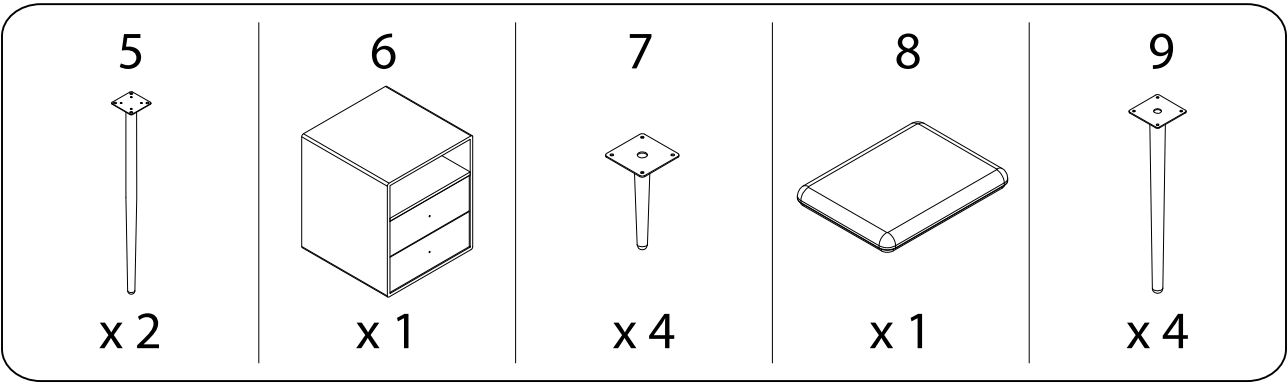
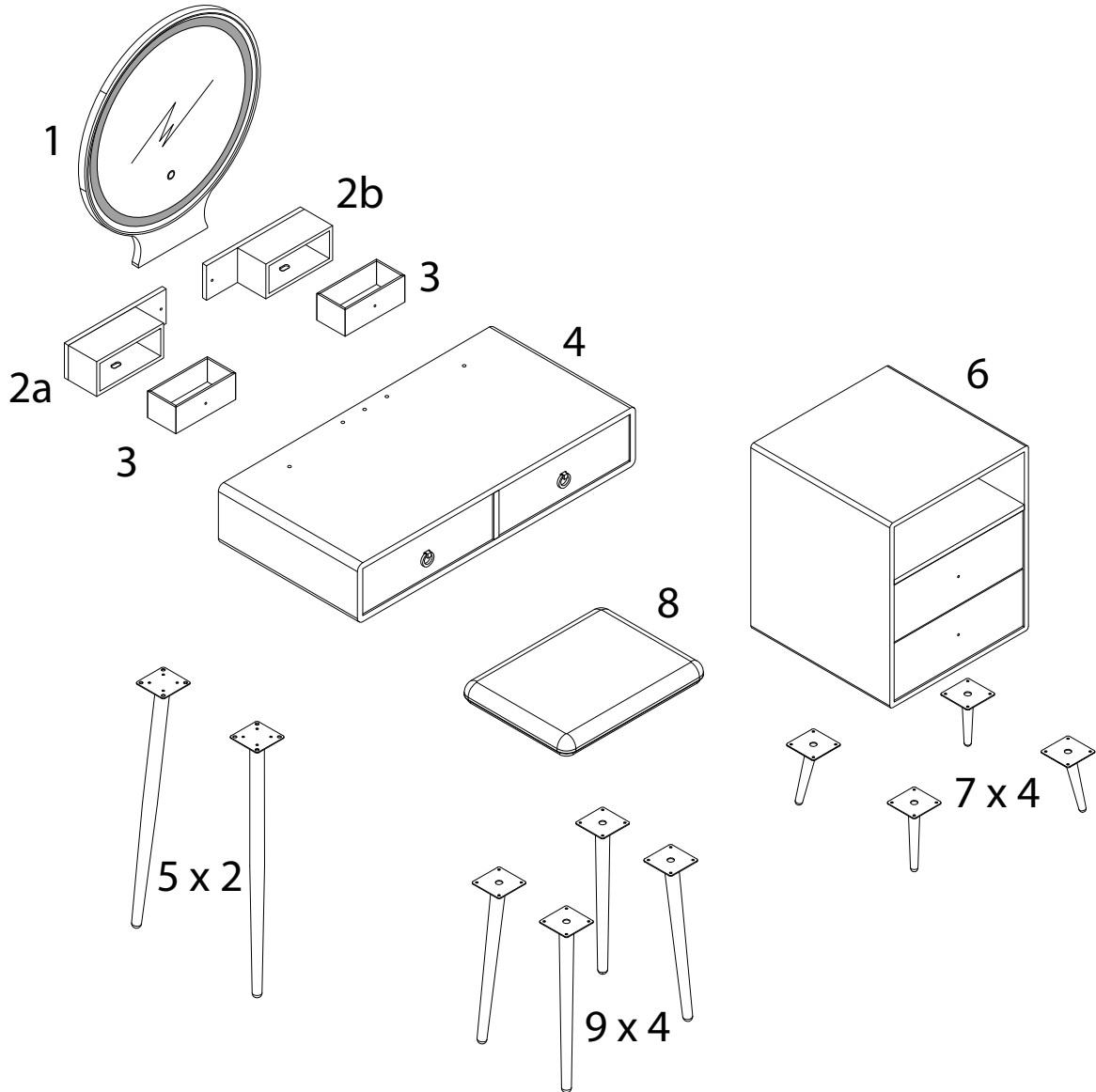
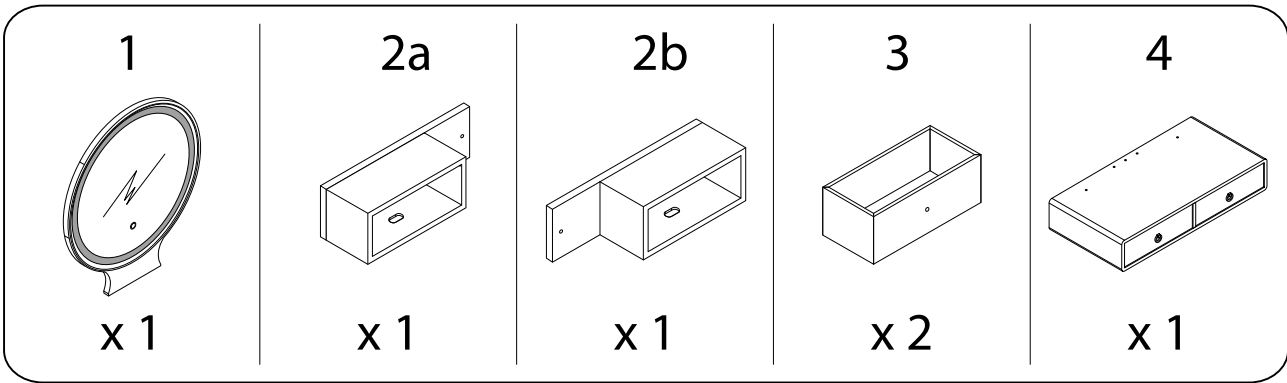


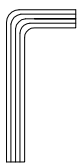
30'



2

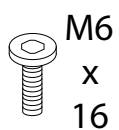


A



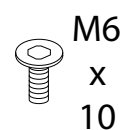
x 1

B



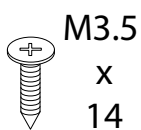
x 10

C



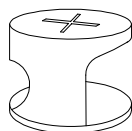
x 18

D



x 16

E



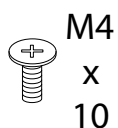
x 3

F



x 3

G



x 4

H



x 4

I



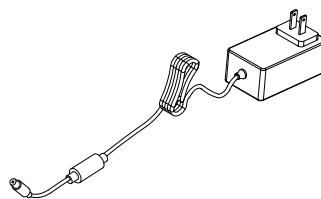
x 2

J



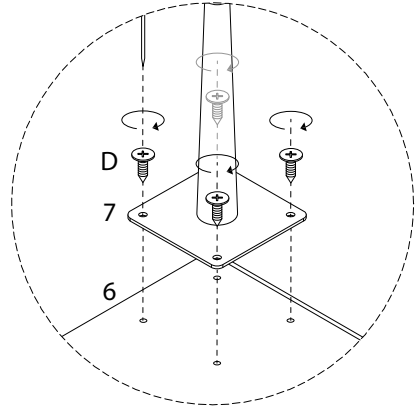
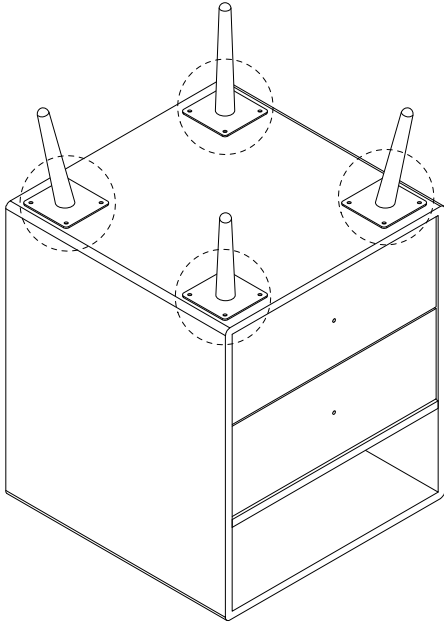
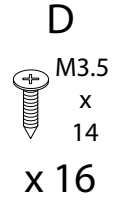
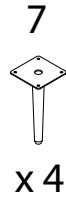
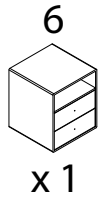
x 2

K

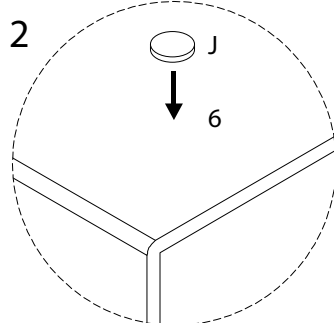
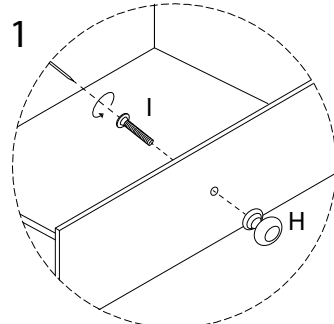
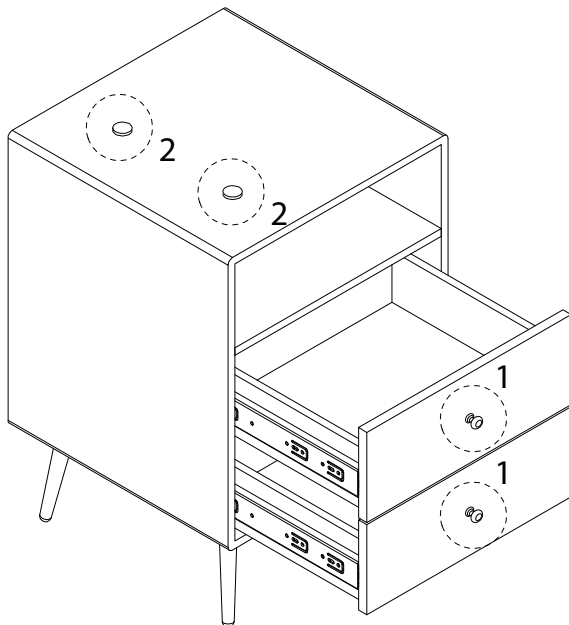
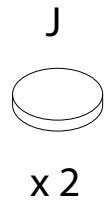
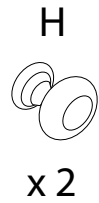


x 1

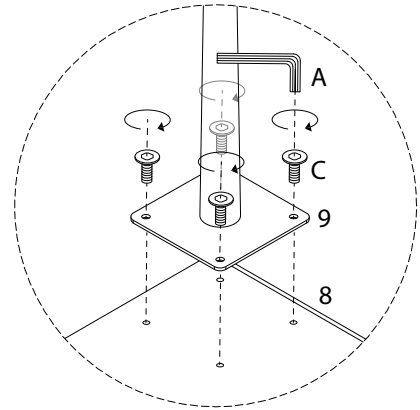
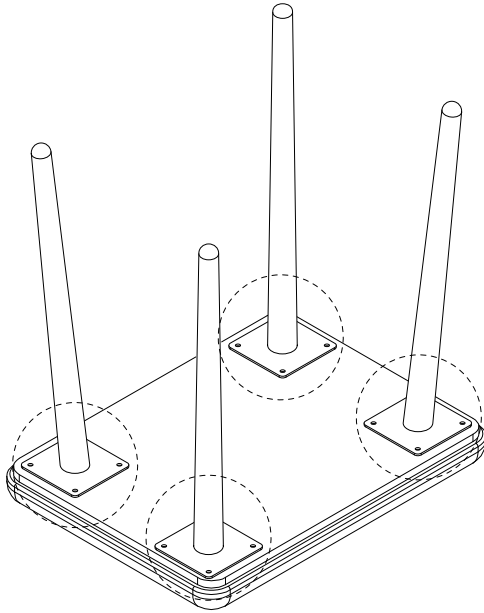
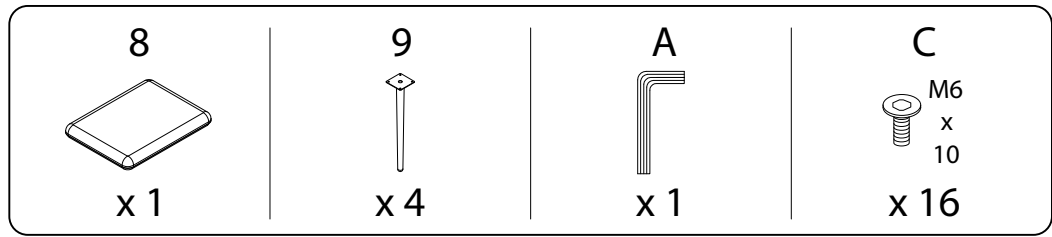
1



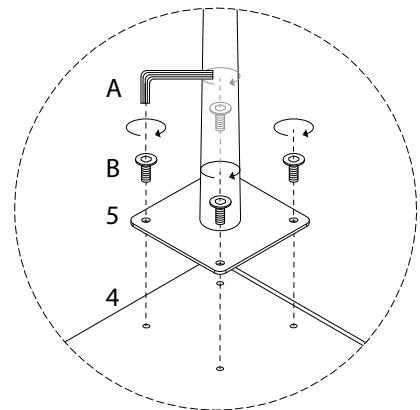
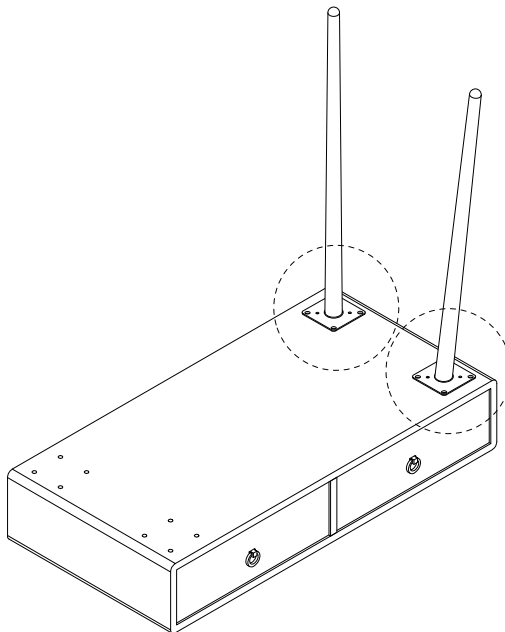
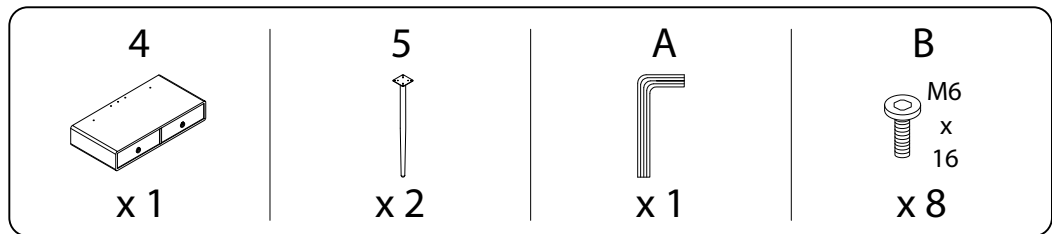
2



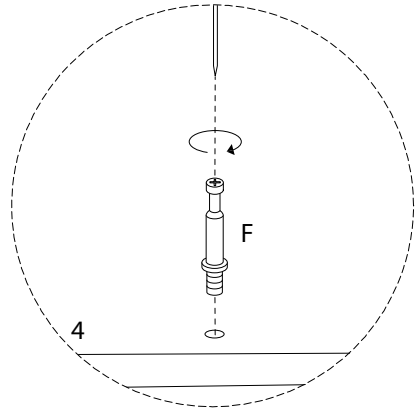
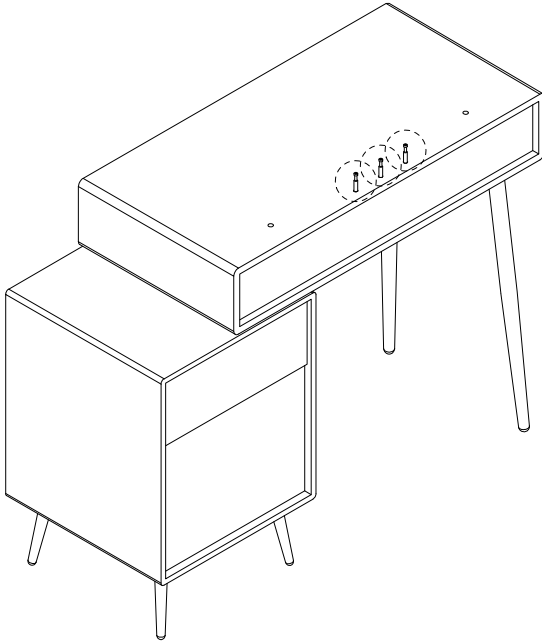
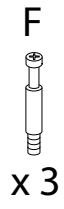
3



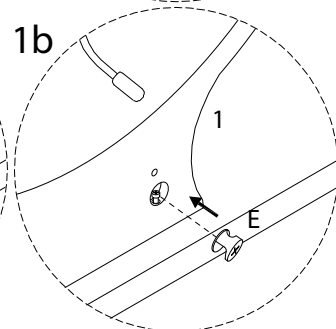
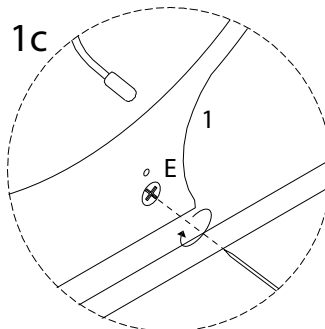
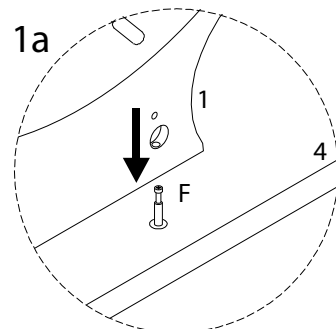
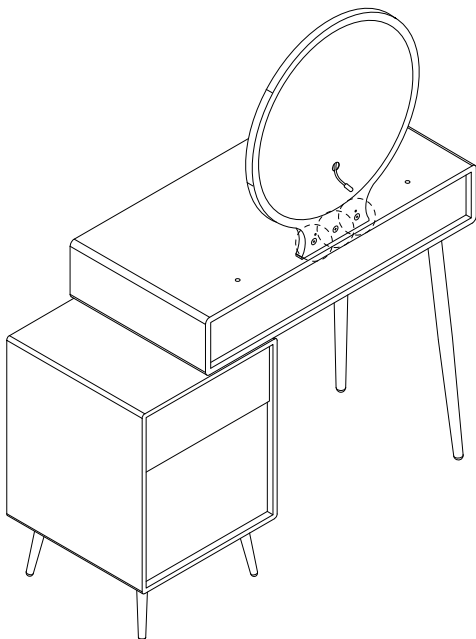
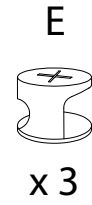
4



5



6



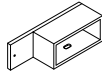
7

2a



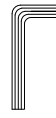
x 1

2b



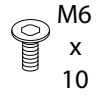
x 1

A

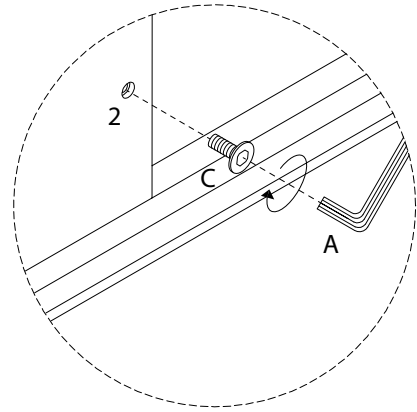
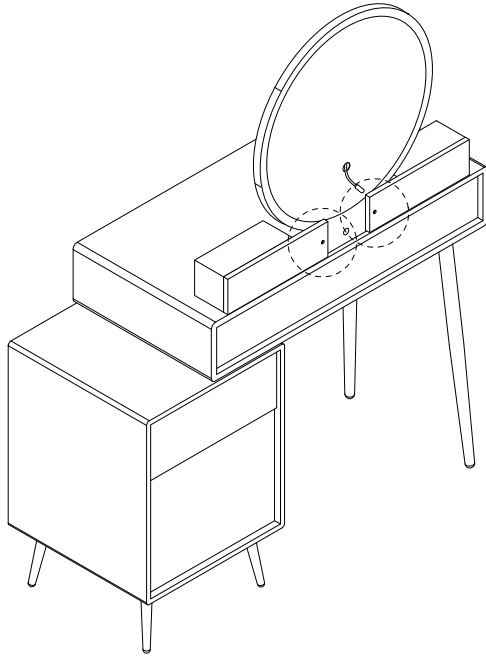


x 1

C



x 2



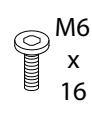
8

A

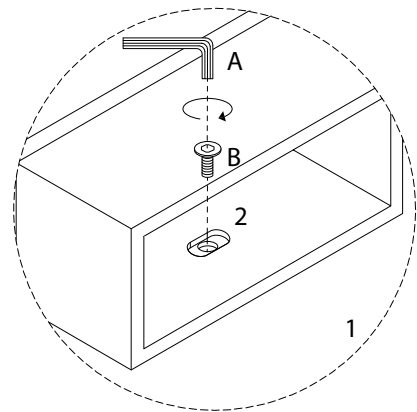
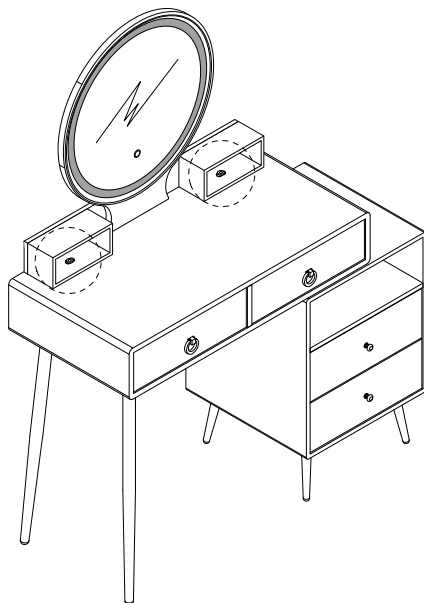


x 1

B

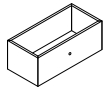


x 2



9

3



x2

G

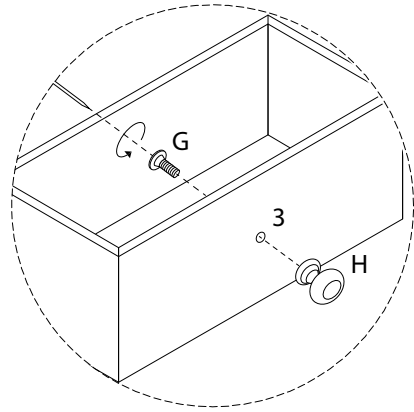
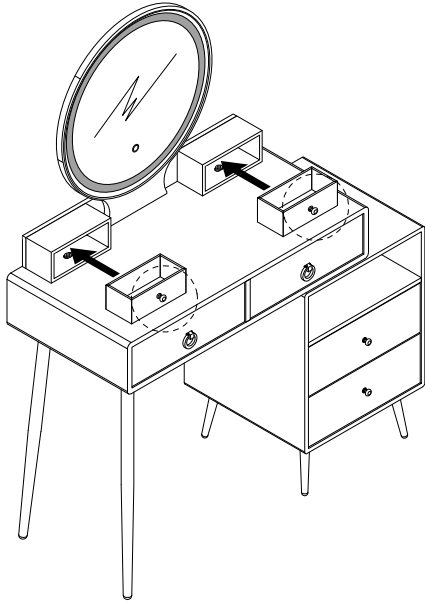


x2

H

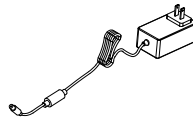


x2

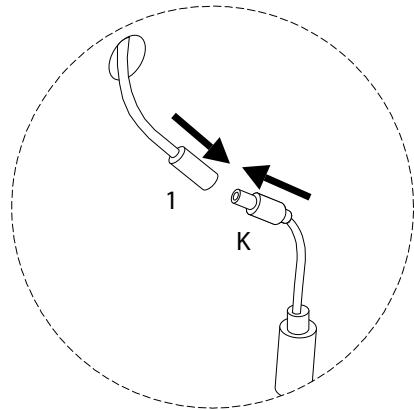
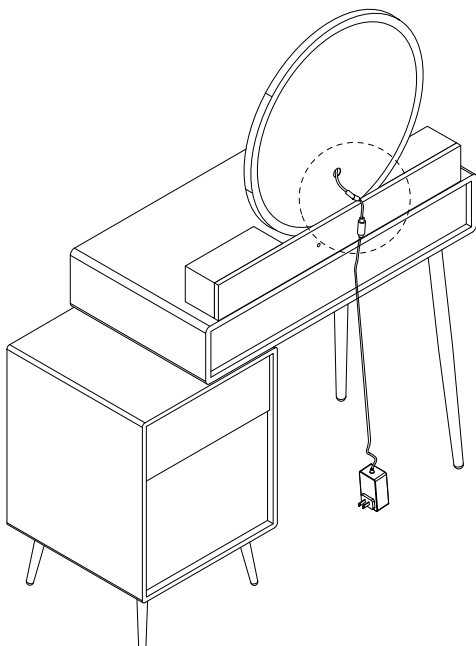


10

K



x1



11

