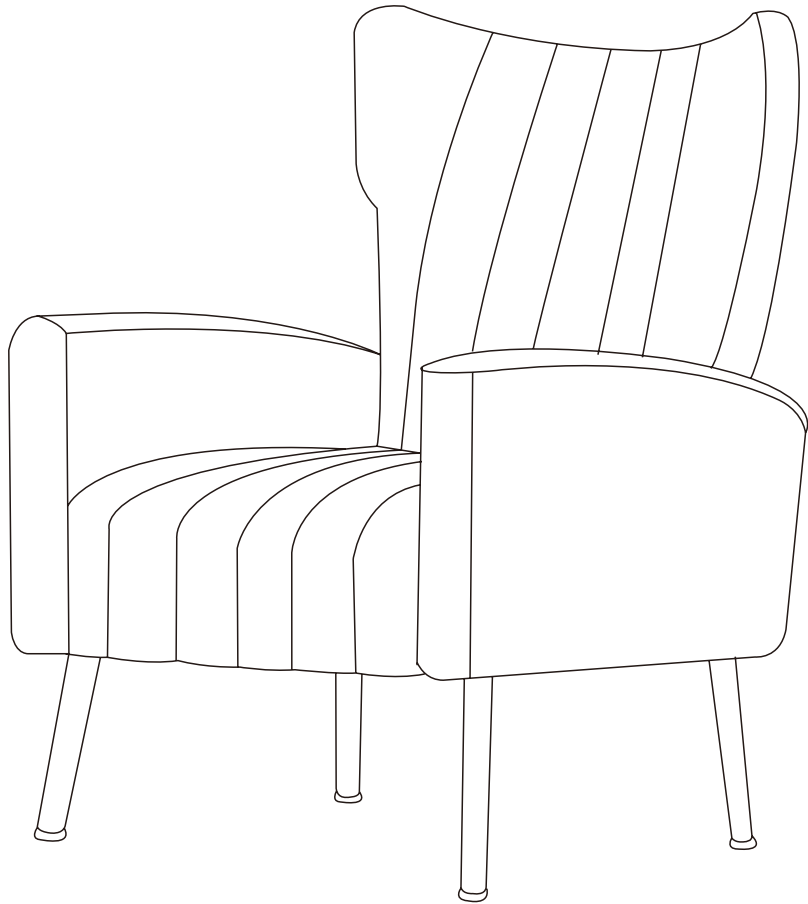
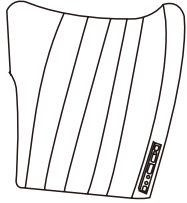
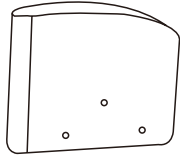
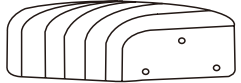



ASSEMBLY INSTRUCTION

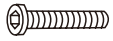
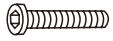


chair



Component List

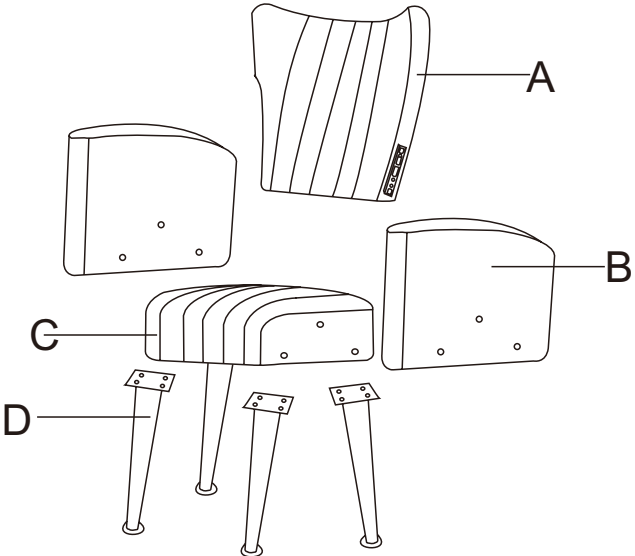
LABEL		DESCRIPTION	QTY
A		Back	1
B		Arm	2
C		Seat	1
D		Legs	4

Hardware List

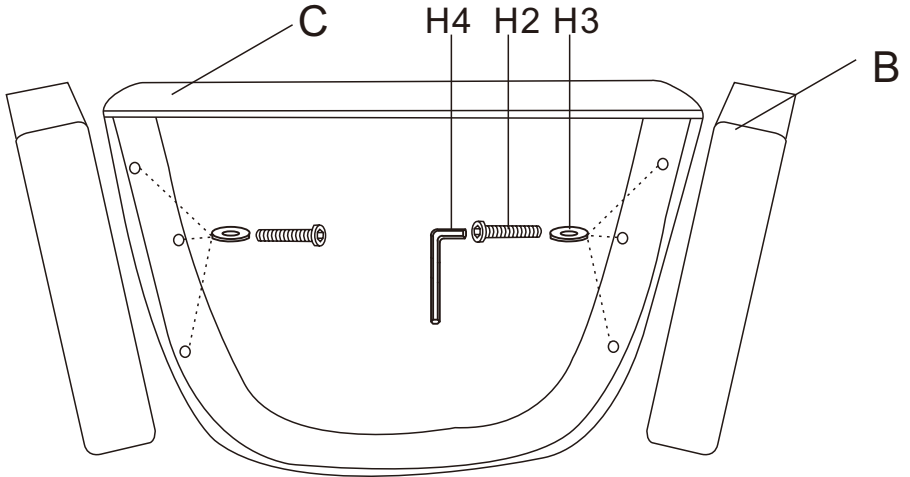
LABEL		DESCRIPTION	QTY
H1		Bolt	16
H2		Bolt	6
H3		Gasket	6
H4		Allen Wrench	1

Assembly Steps

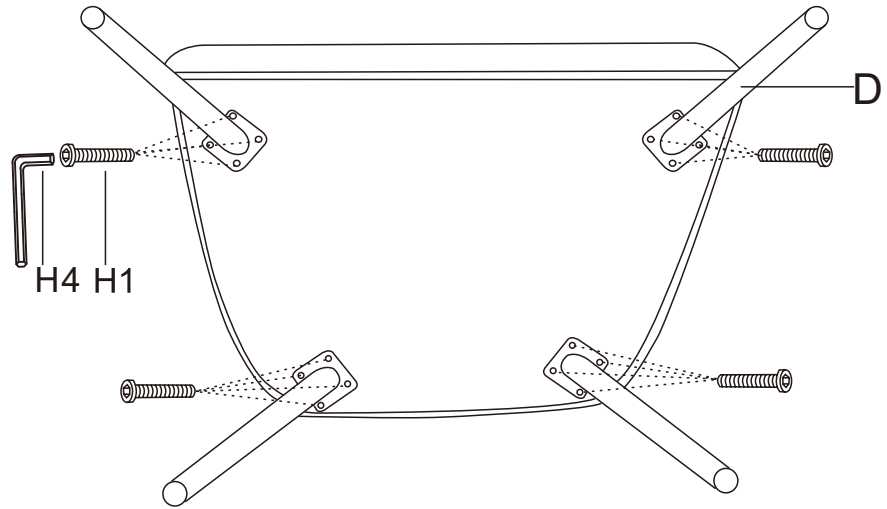
1



3



2



4

