

Ceiling Light Installation Instruction

Please read the instruction manual carefully before using

Dear Customer,

Thank you for choosing this pendant light! To save your time and effort, please try to light up the lamp before installation to ensure the sockets are working correctly. If you have any issue when you receive it, please contact us

Thank you for your understanding.

- Customer Support Team

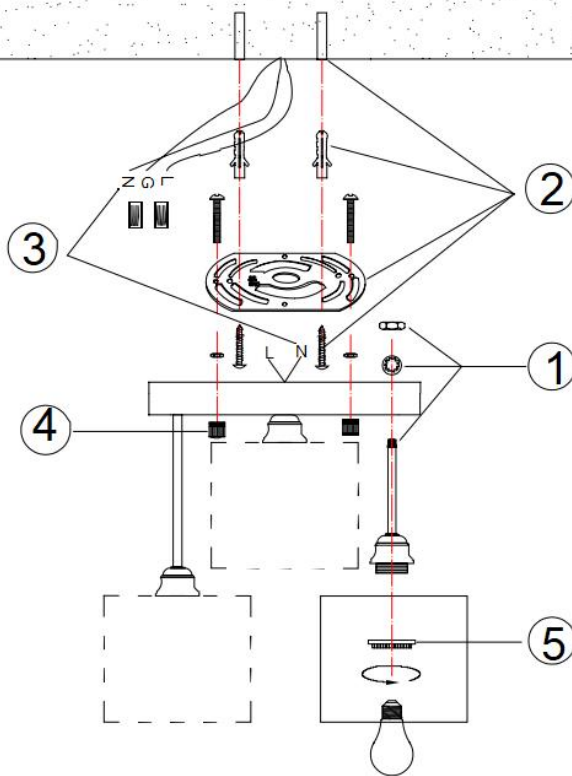
Specification

Voltage	110-120V
Bulb Socket	E26
Wattage	Max 40W /Bulb
Bulb Type	Incandescent/LED/Halogen (Not Included)
Certification	Socket is UL Listed
Warranty	2 Years

Package List

Lamp Body	1
Rattan Lampshade	3
Manual	1
Accessory Bag	1

Installation



① Align the round holes on the lamp holder and the chassis, and tighten it with a nut.

② Fixing the bracket: Install the bracket to the connection box by tightening 2 screws (if there is no connection box, you can also drill 2 holes, and then insert the expansion screw before installing the bracket.)

③ Hard-Wired: by tightening the orange wire cover (connector) clockwise, connect the black (live) wire to the "L" wire, and connect the white (zero) wire to the "N" wire.

④ Align the two holes on the chassis with the screws on the bracket, and then tighten them with the matching nuts.

⑤ Finally, Put the rattan cover on the socket, and fix it by tightening the black plastic ring, then install the E26 bulb.

Q: The lamp does not work?

A: First, make sure your bulbs are working well. If your bulbs work, but not on the lamp, please pull the copper piece which is located in the bulb socket. This operation is to ensure that the bulb makes good contact with the copper in the bulb socket.