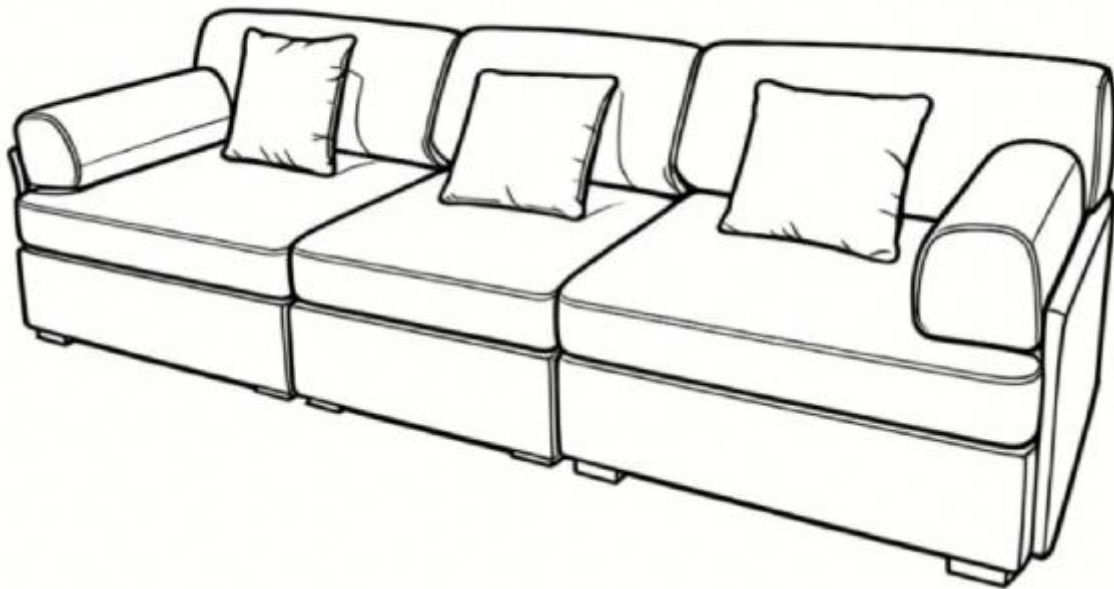


ASSEMBLY INSTRUCTION



This instruction booklet contains important safety information, please read and keep for future reference.

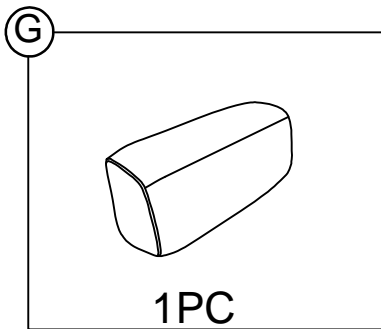
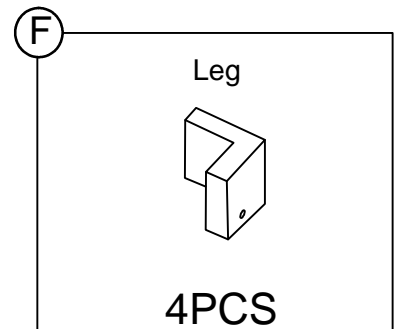
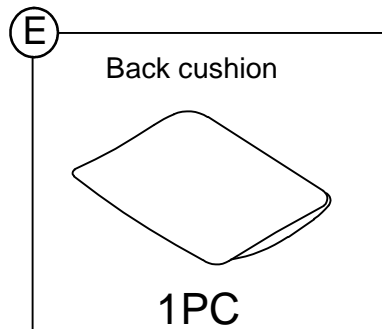
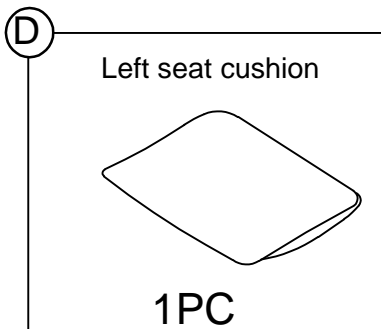
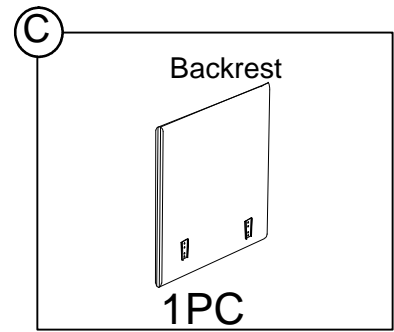
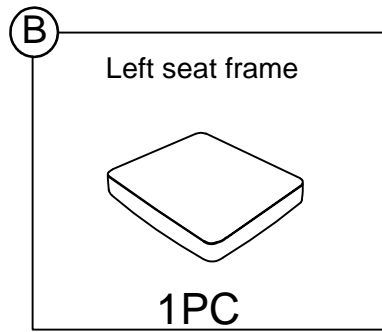
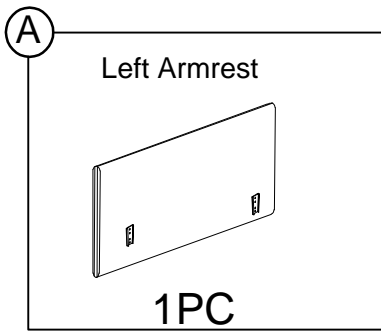
This sofa collection works as modular sofa function, started as 2-seater sofa with left and right section, you can buy more components such as armless middle seat and ottoman to make it as 3-seater sofa, 4-seater sofa, L shape sectional, U shape sectional components to ensure all sofa section are well fit your living room area.

Measure your living room size before you make a decision to buy more components to ensure all sofa section are well fit your living room area. You can decide to buy more components according to your living room size. To ensure safe and satisfactory use of this product, please carefully read the below instructions beforehand.

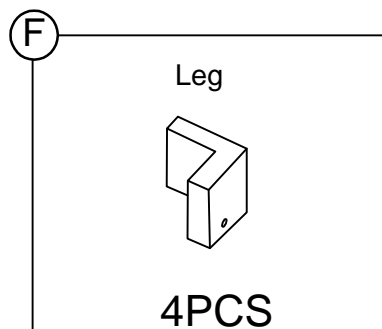
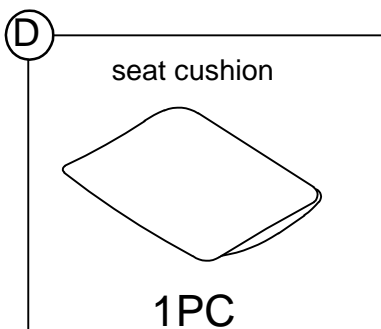
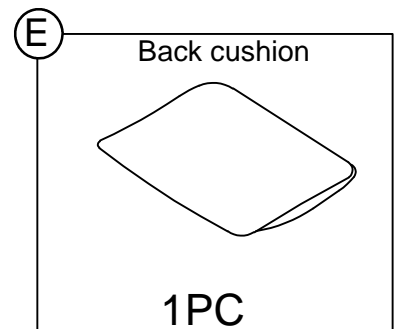
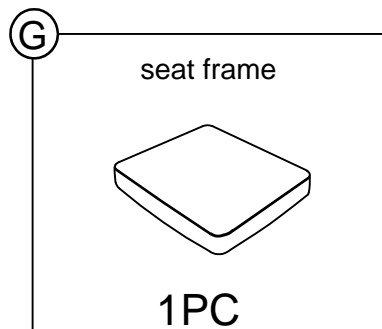
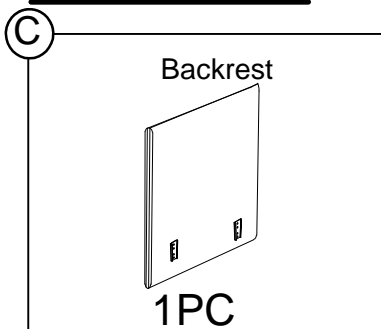
1. This sofa ships in several boxes, we recommend unpacking and starting assembly when several boxes are received.
2. Our cushions are vacuum packed for convenient shipping. Please allow 2-3 days for them to fully expand to their original shape and for any wrinkles to disappear.
3. In the event that a part is damaged or missing, no need to return the product, we will gladly help and ship your replacement parts free of charge.

IF YOU BUY 2 SEATER SOFA
please follow below assembly instruction

Parts List (Box 1)

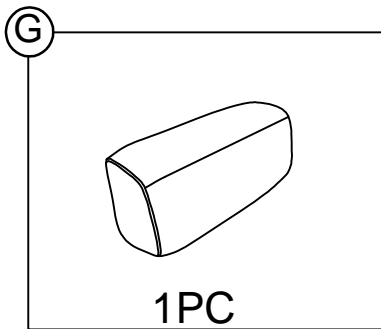
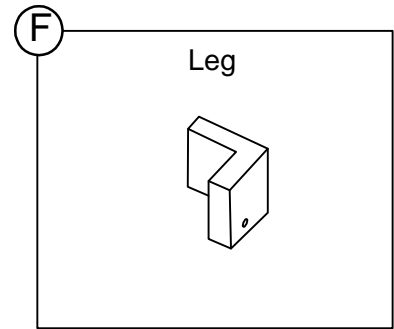
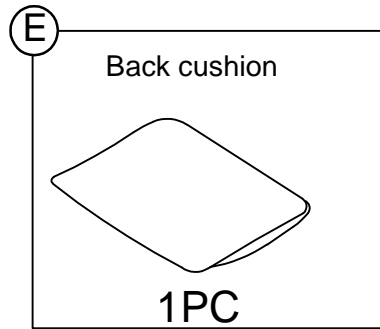
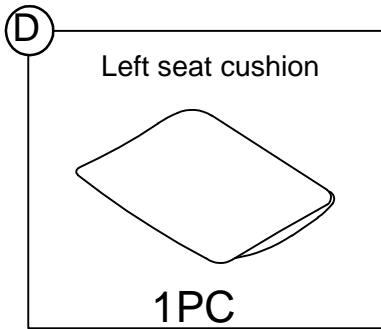
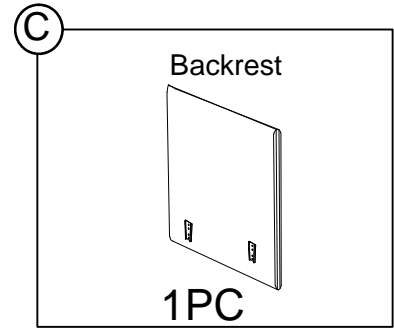
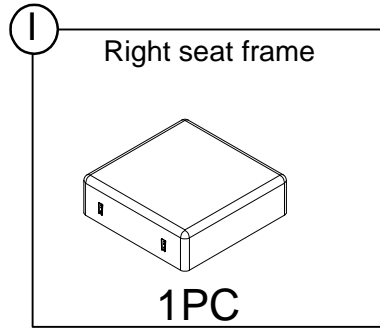
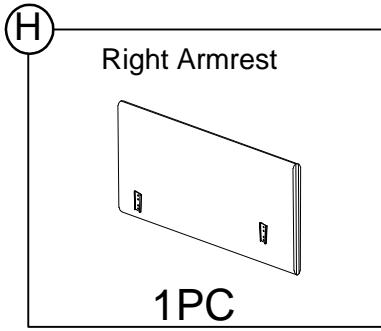


Parts List (Box 2)

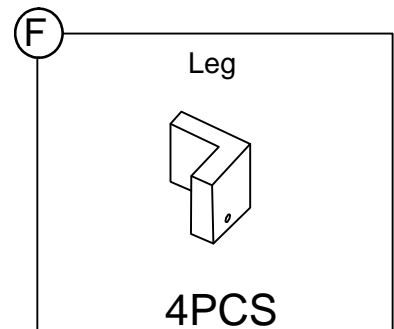
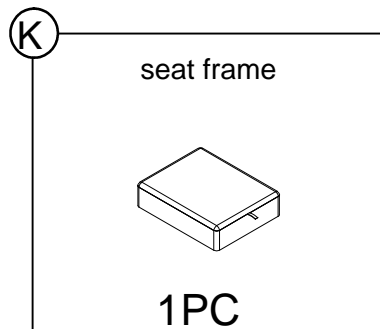
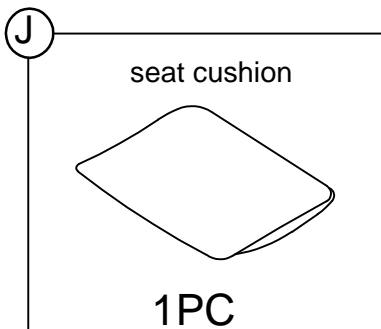


IF YOU BUY 2 SEATER SOFA
please follow below assembly instruction

Parts List (Box 3)



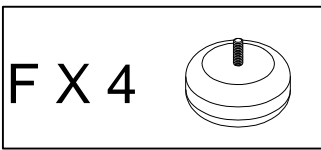
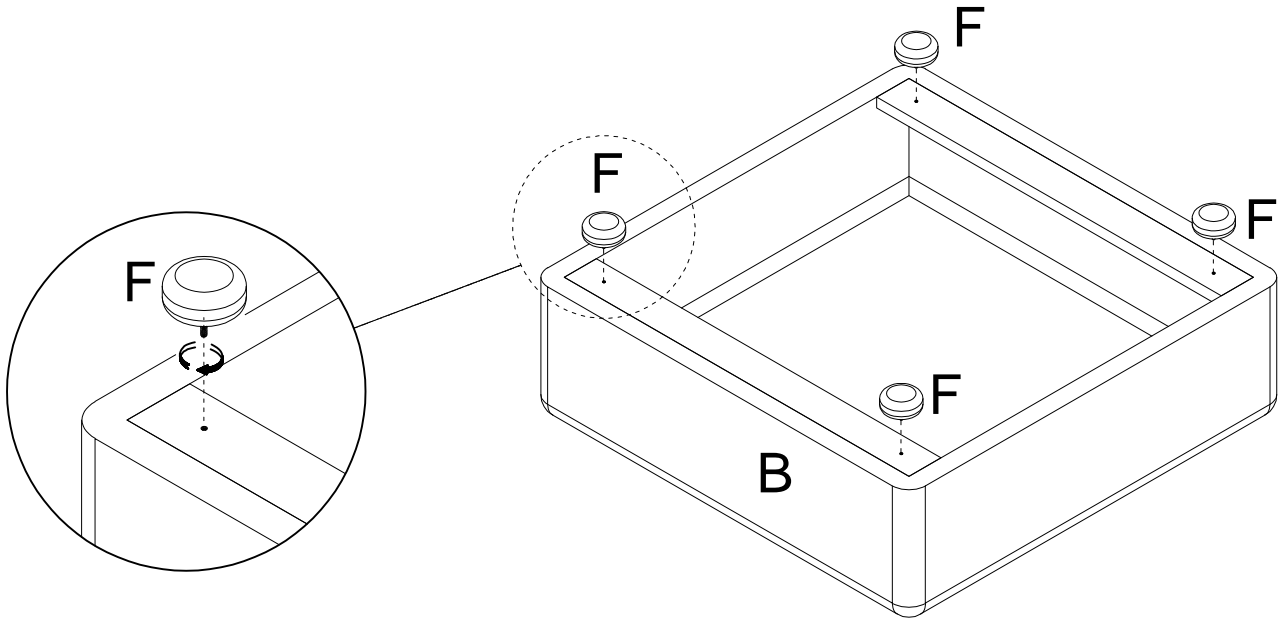
Parts List (Box 4)



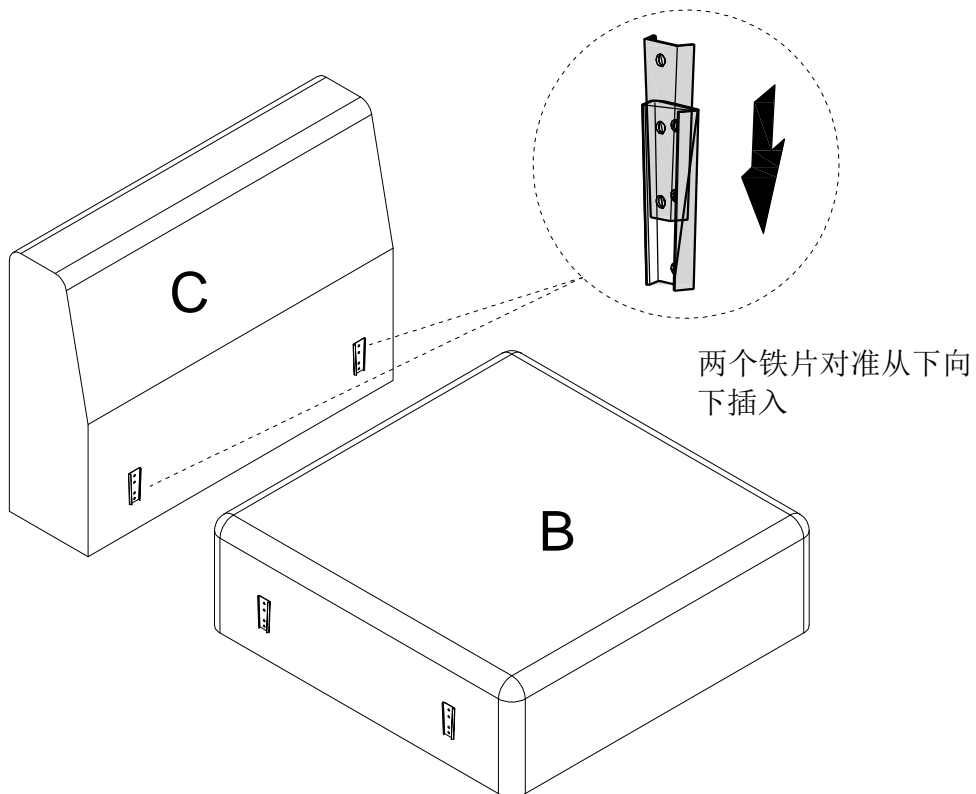
Box 1

ASSEMBLY STEPS

STEP 1 Screw the foot (F) into the seat frame (B)



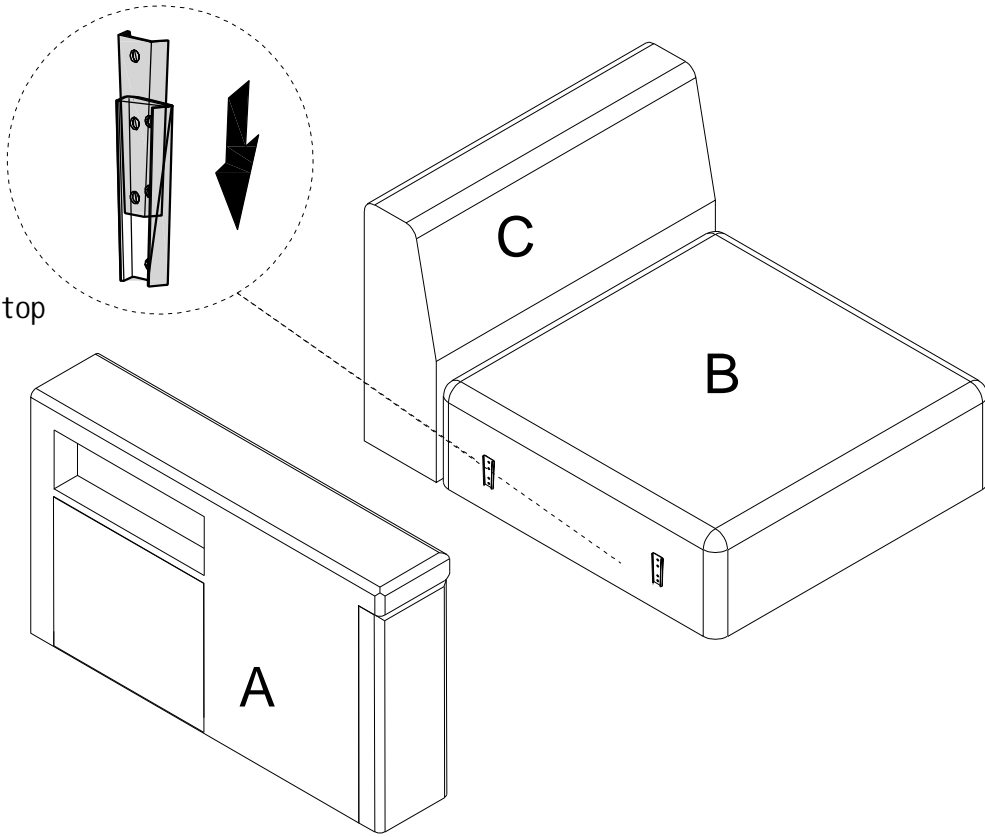
STEP 2 The back (C) is inserted into the seat frame (B).



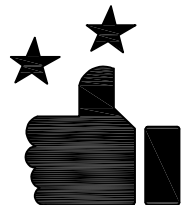
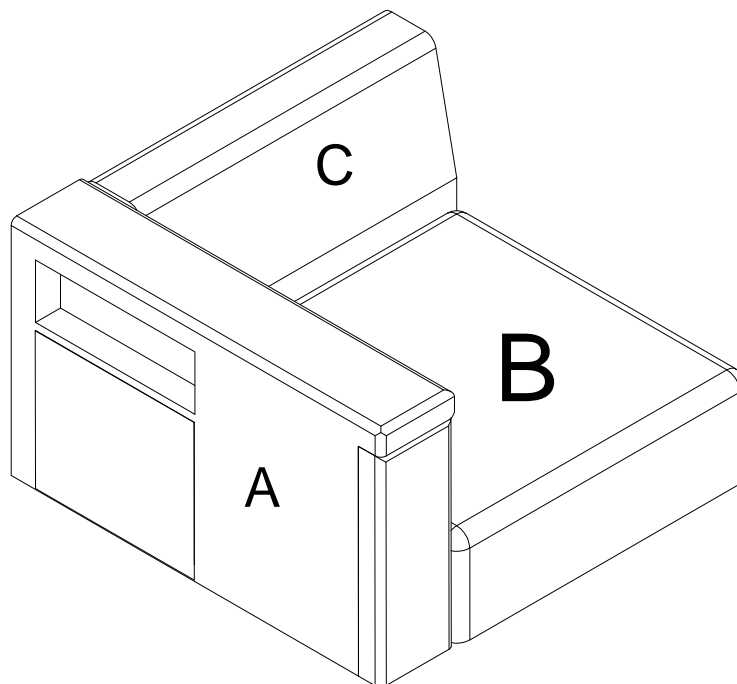
ASSEMBLY STEPS

STEP 3 Handrail (A) is inserted into the seat frame (B)

Two iron plates are aligned and placed in from top to bottom.



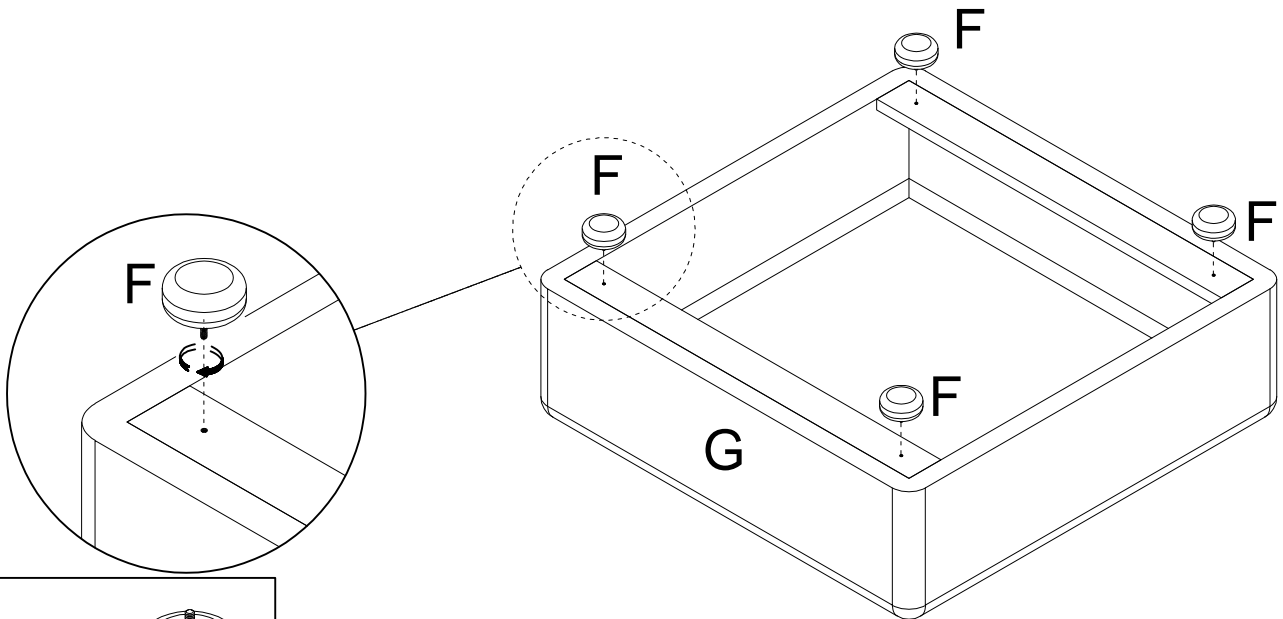
STEP 4 The first box installed;



ASSEMBLY STEPS

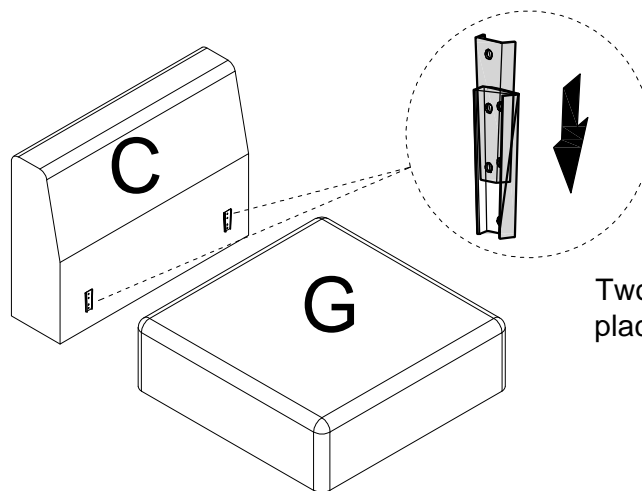
Box 2

STEP 5 Screw the foot (F) into the seat frame (G)



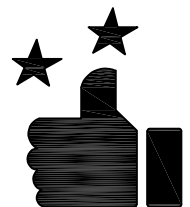
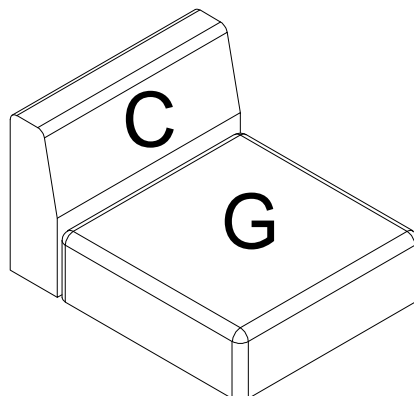
Box 2

STEP 6 The backrest (C) is inserted into the seat frame (G).



Two iron plates are aligned and placed in from top to bottom.

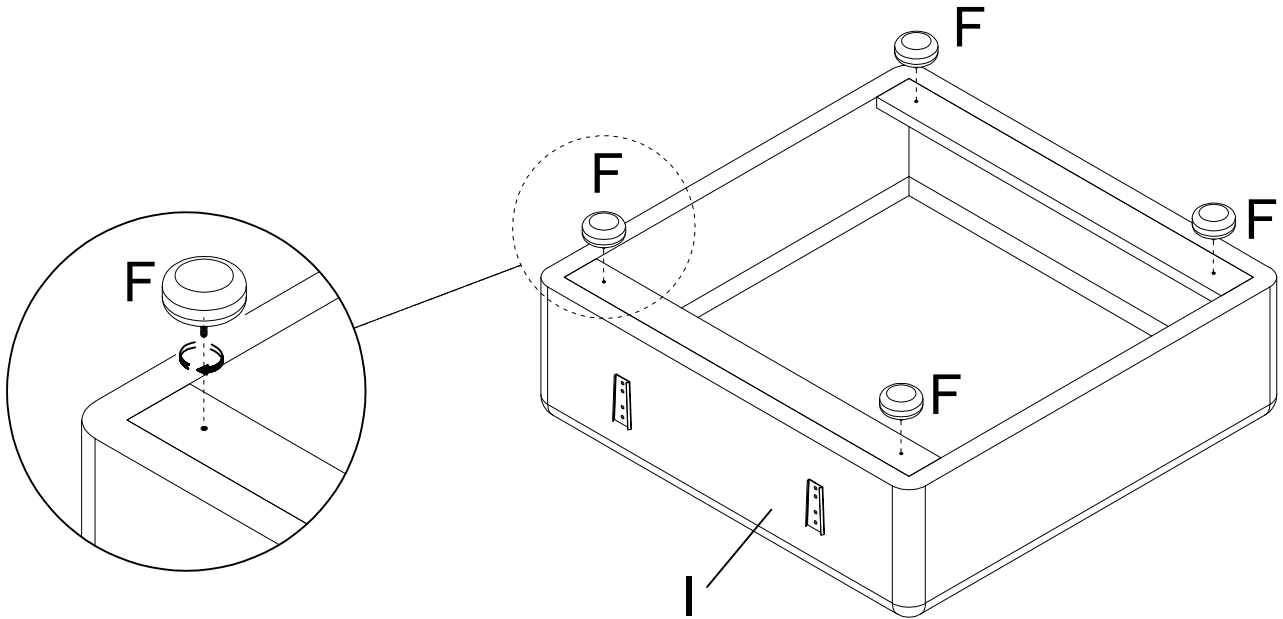
STEP 7 The second box after installation



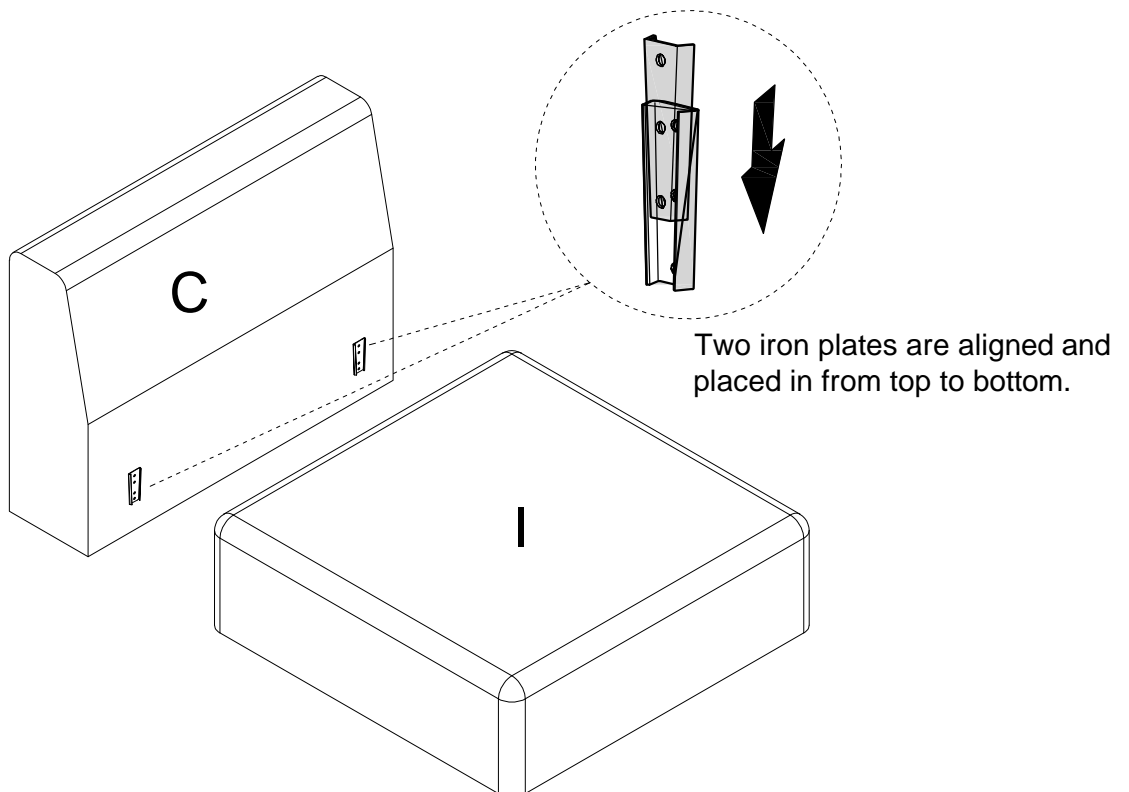
ASSEMBLY STEPS

Box 3

STEP 8 Rotate the foot (F) onto the seat frame (I)



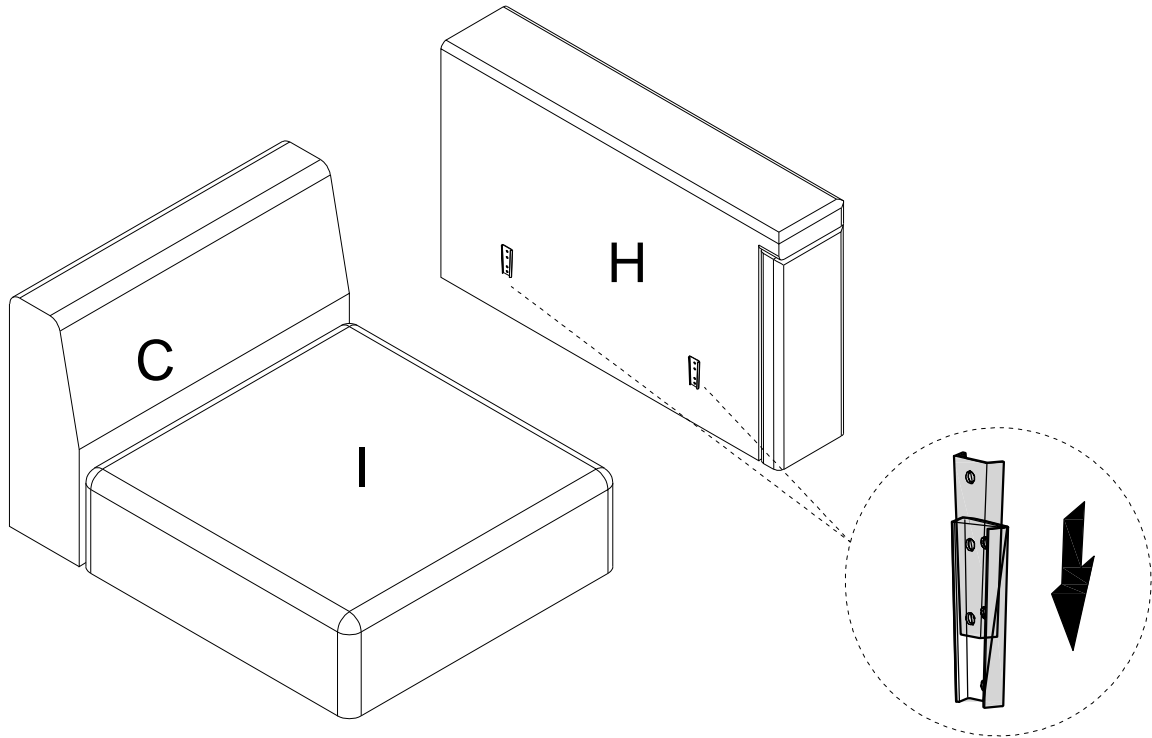
STEP 9 The backrest (C) is inserted into the seat frame (I).



ASSEMBLY STEPS

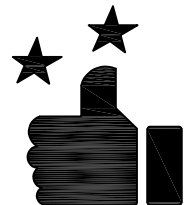
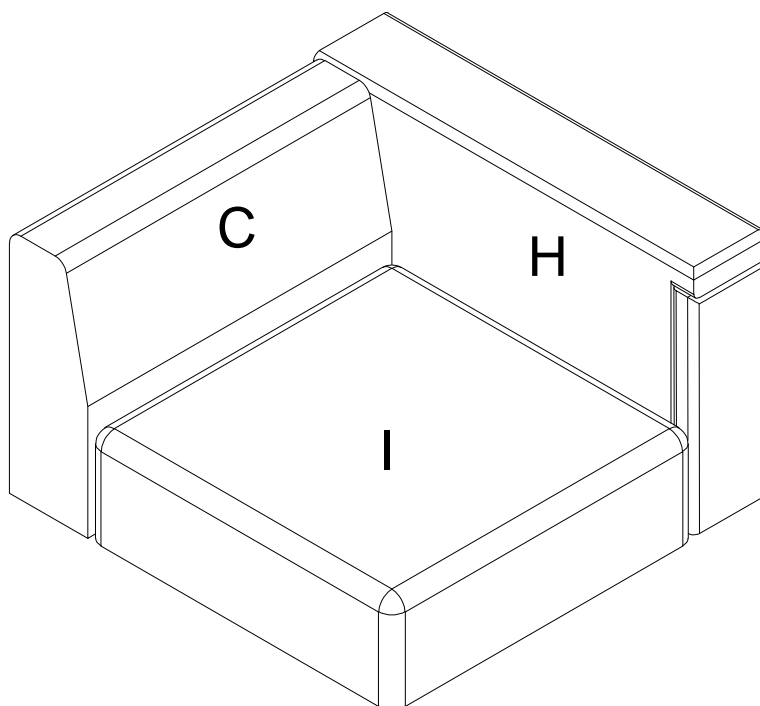
Box 3

STEP 10 Handrail (H) is inserted into the seat frame (I)



Two iron plates are aligned and placed in from top to bottom.

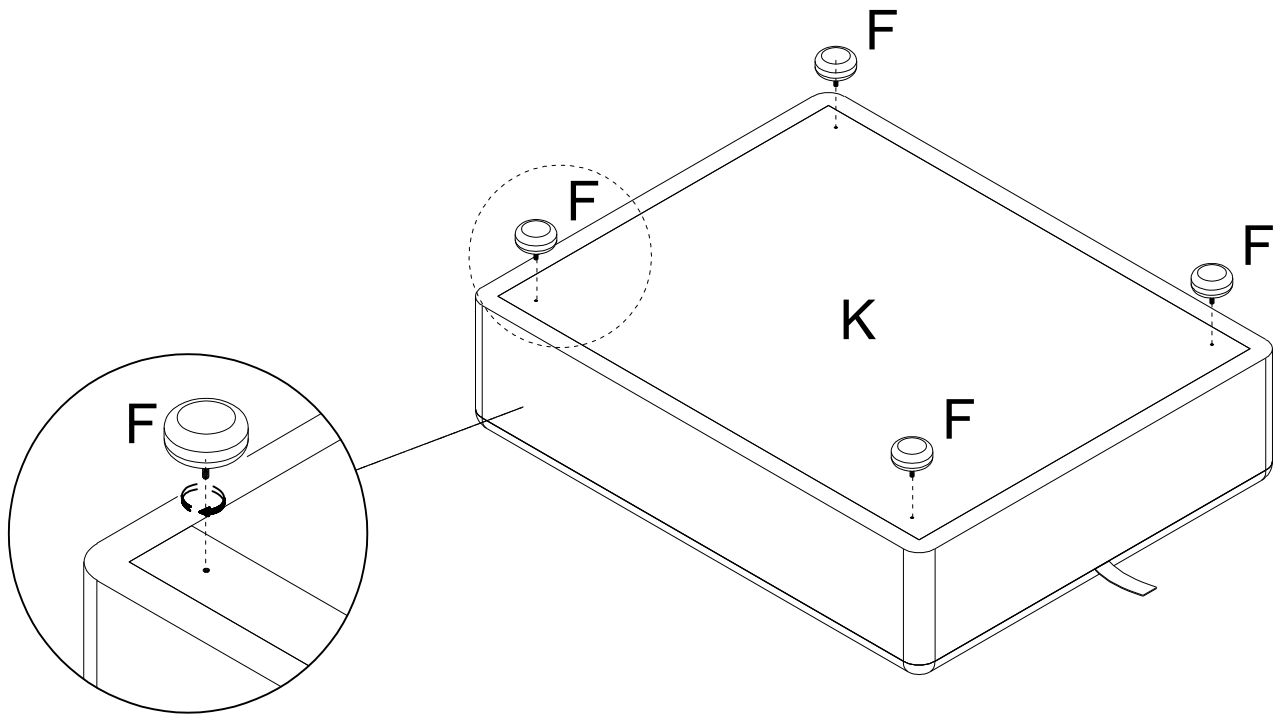
STEP 11 The third box after installation



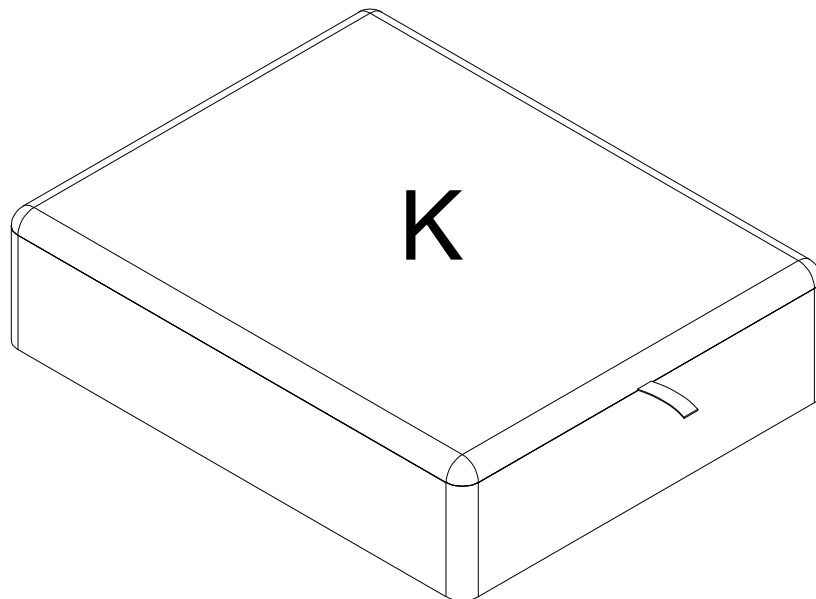
ASSEMBLY STEPS

Box 4

STEP 9 Screw the foot (F) into the seat frame (K)



STEP 12 The fourth box installed;



Box 4

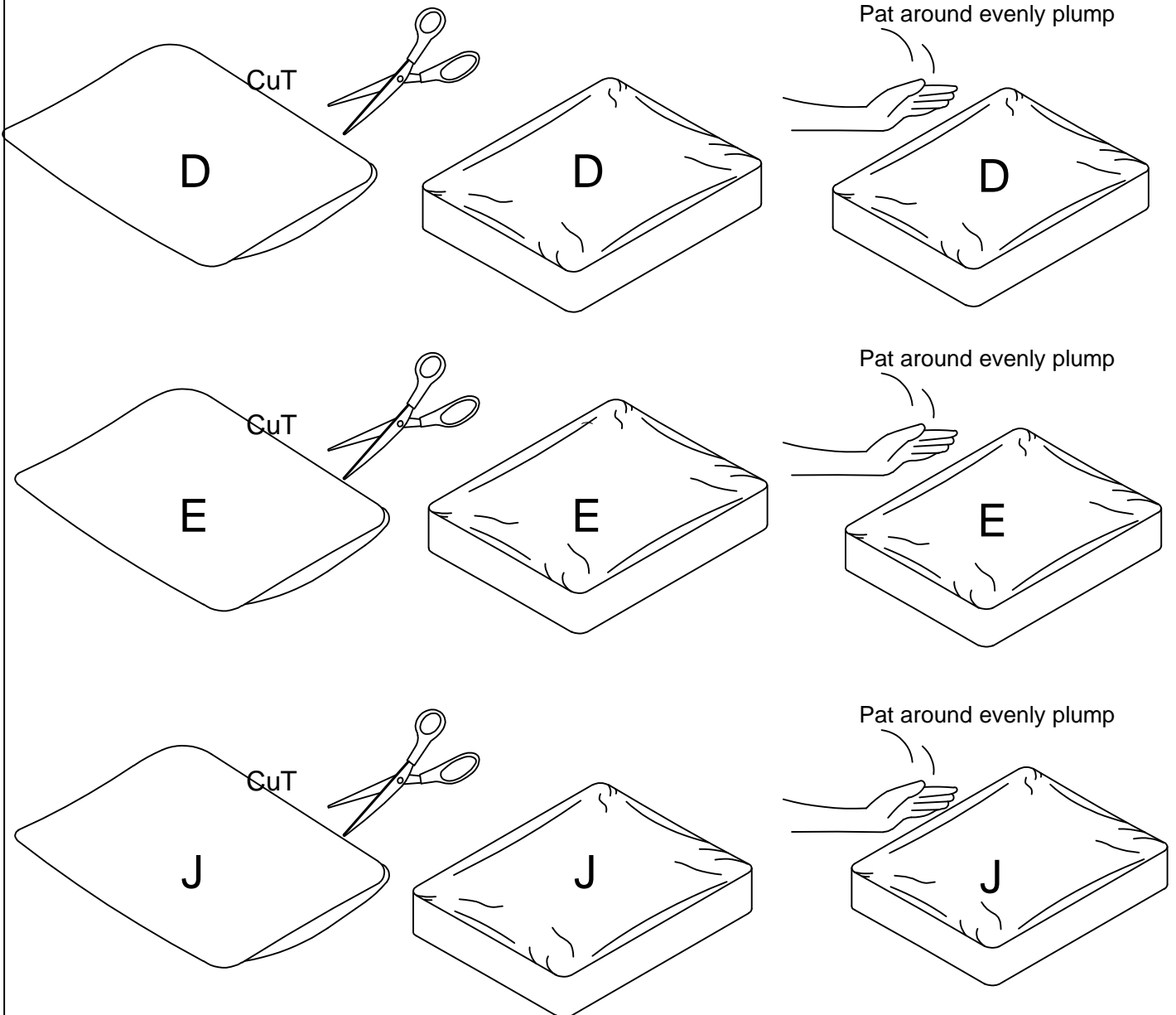
STEP 10

*Note: The cushions (D & E & J) are vacuum-compressed, please open them carefully. After opening, let them rest for 10 minutes. Then, pat them several times to ensure they unfold evenly before placing them into the covers. Please allow up to 72 hours for the cushions to fully expand and fill out the covers completely.



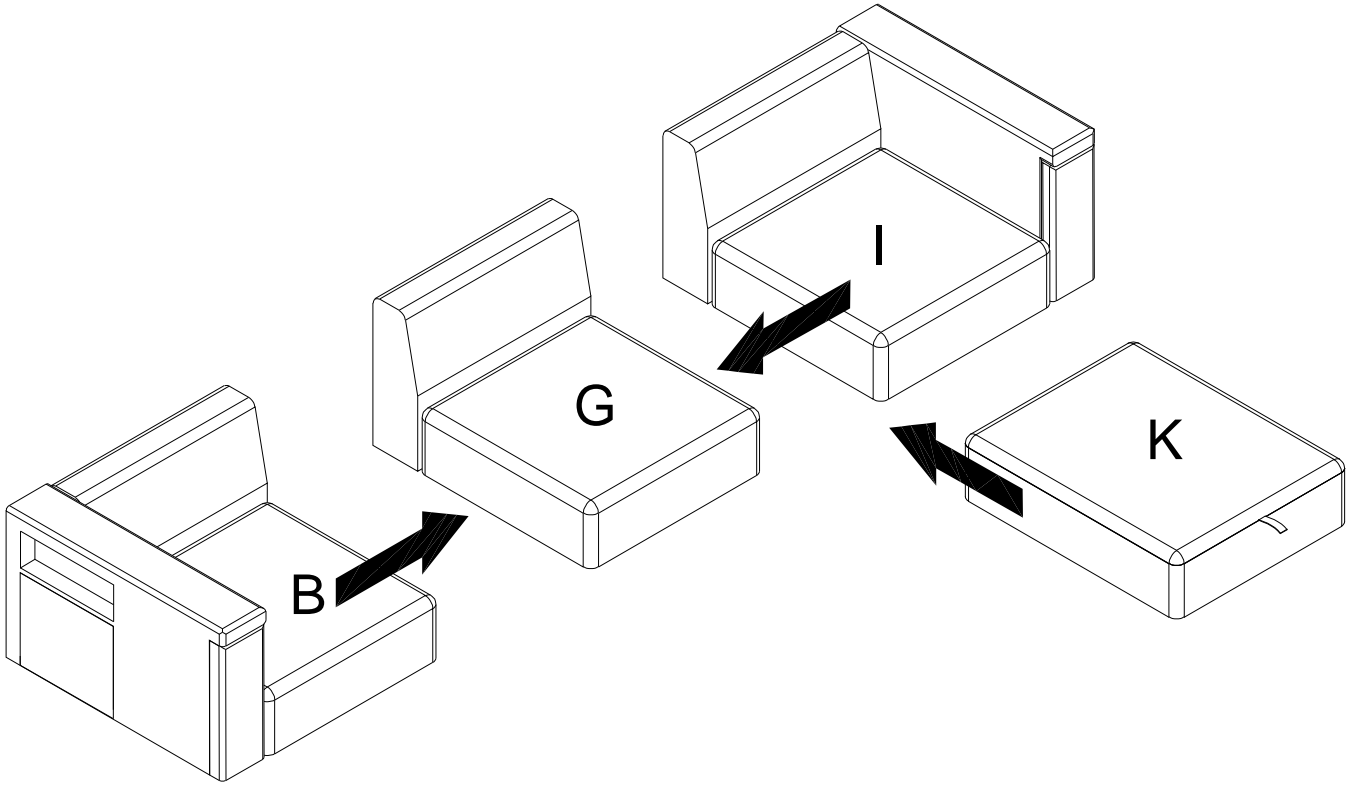
WARNING

Please take care not to cut the cushion when opening this package

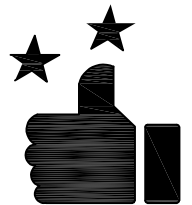
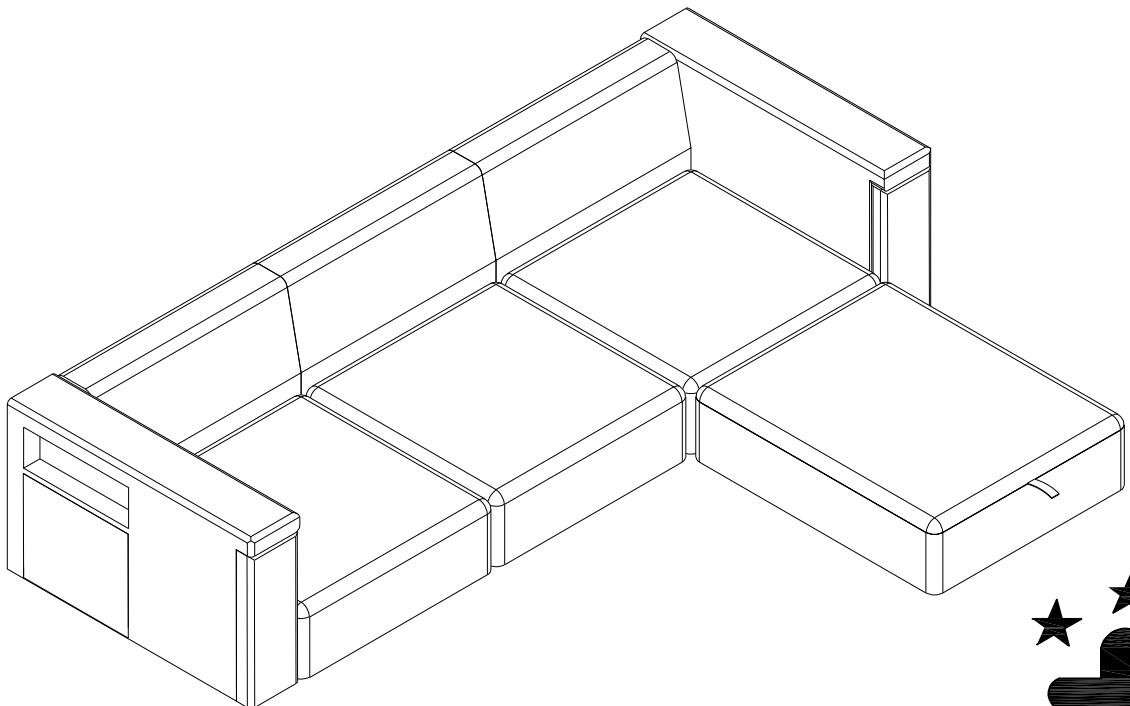


ASSEMBLY STEPS

STEP 11 Put the four groups assembled before together

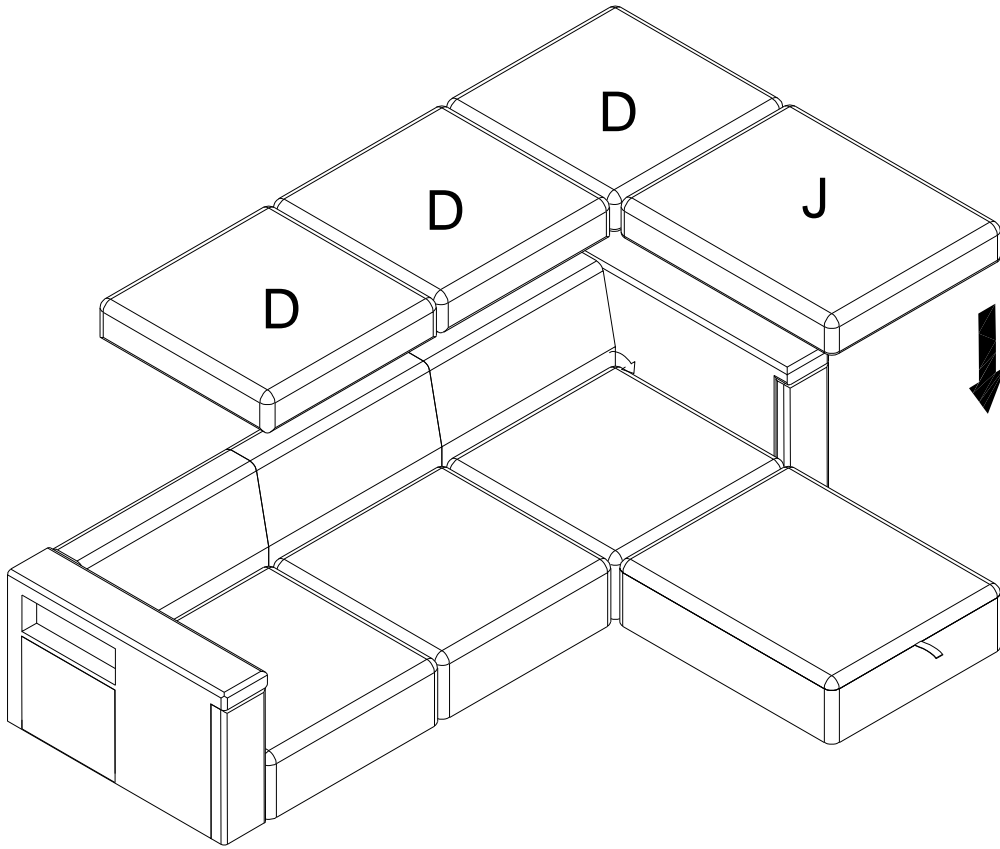


STEP 12 The set-up sample hole

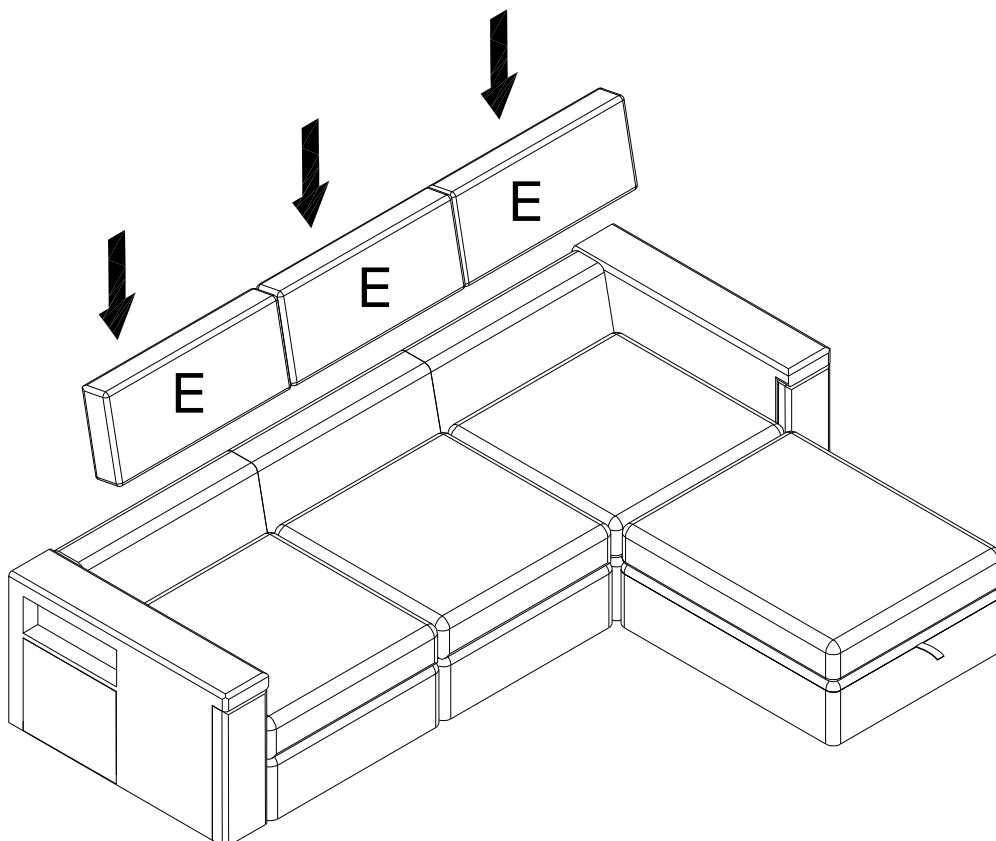


ASSEMBLY STEPS

STEP 13 Place the cushion (D/J) on the arranged seat frame.

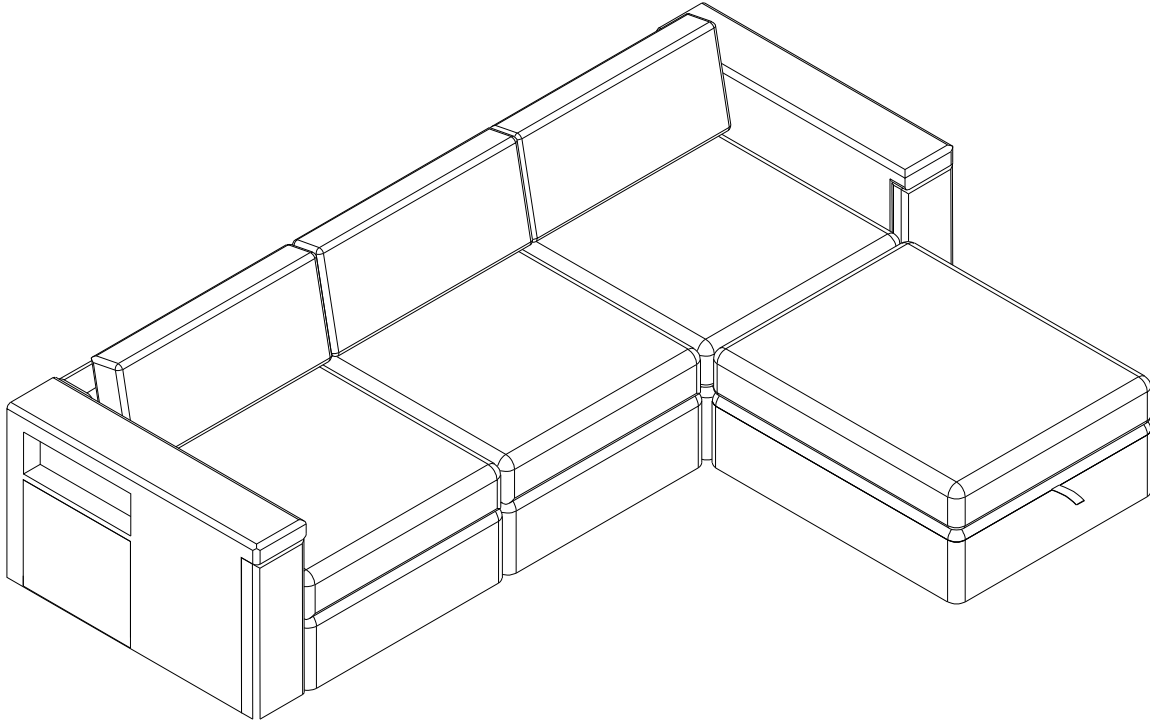


STEP 13 Place the back (E) on the arranged seat frame



ASSEMBLY STEPS

FINISH:



FINISH:

