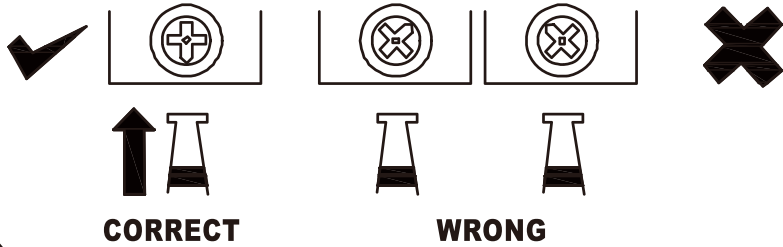
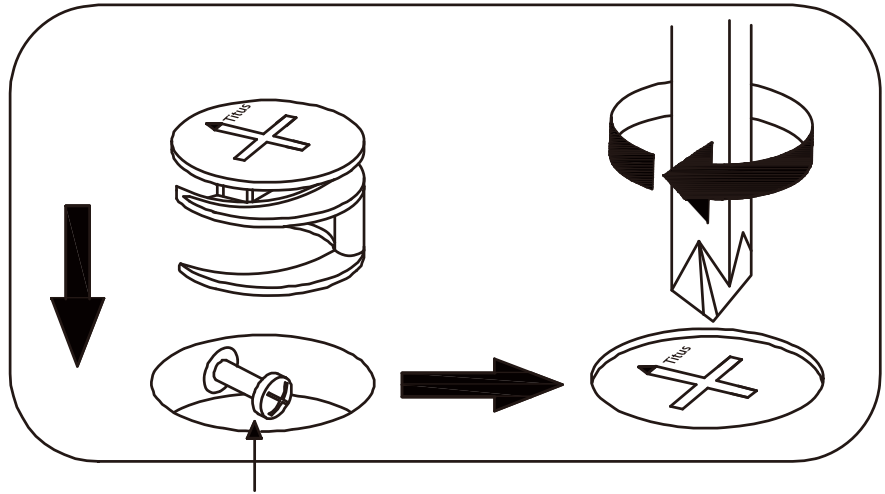


SPECIAL TIPS FOR FITTING CAM-LOCKS AND QUICKFIT

WHEN FITTING CAMLOCK
ENSURE STARTING POSITION IS CORRECT
BEFORE YOU INSERT CONNECTING QUICKFIT
TURN CLOCKWISE UNTIL SECURE



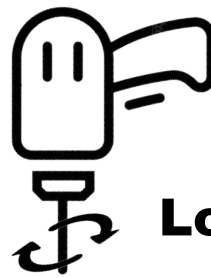
CAM-LOCK



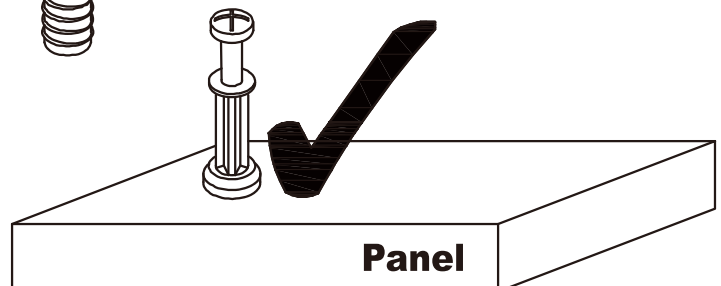
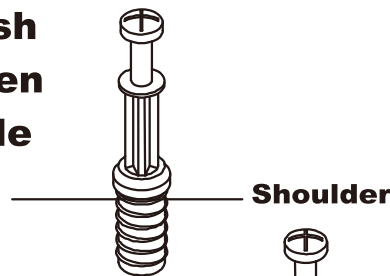
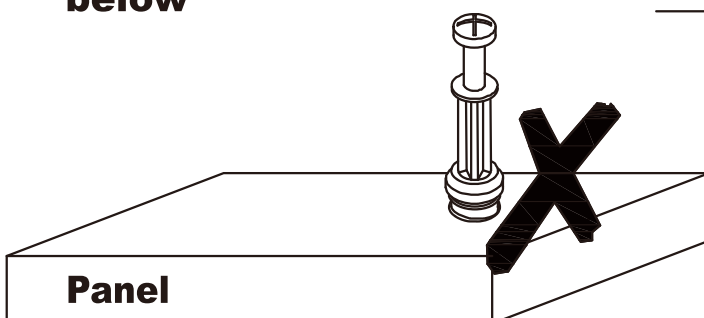
Quickfit head needs to be in centre

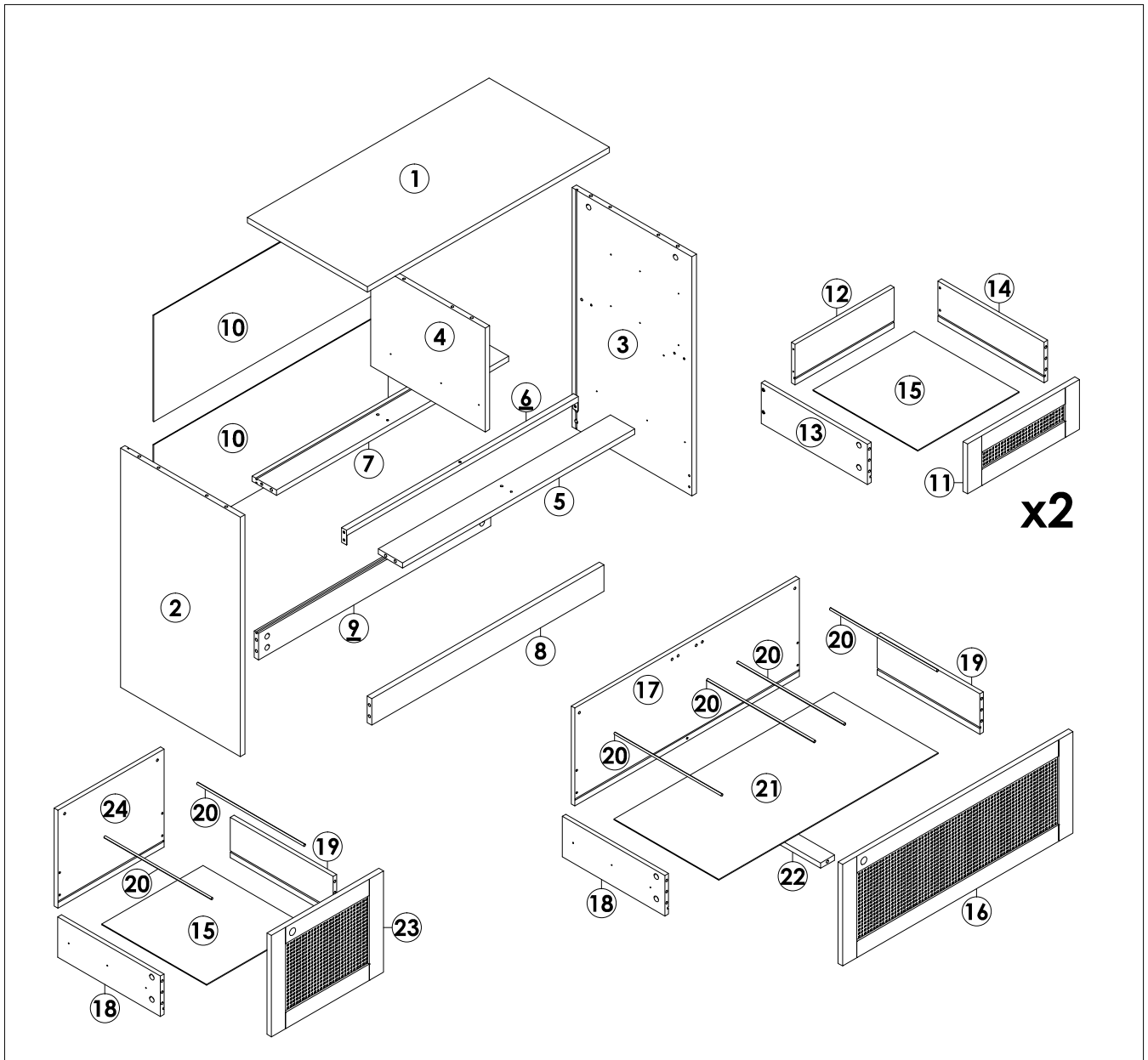
QUICKFIT

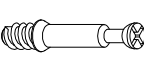



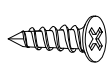

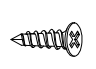
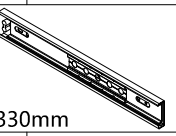
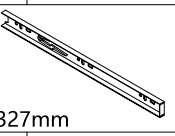
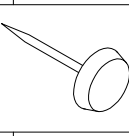
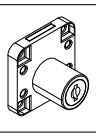
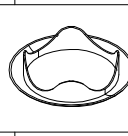
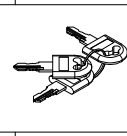


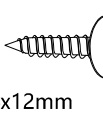
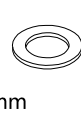
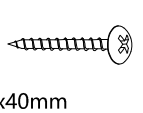
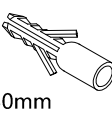


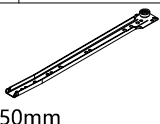
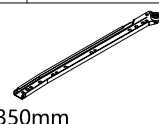
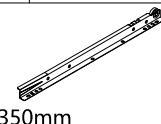
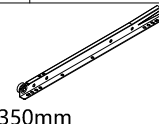
Tighten until shoulder is flush with panel. **DO** not overtighten or undertighten (see example below)



Low-Speed Gear !!!

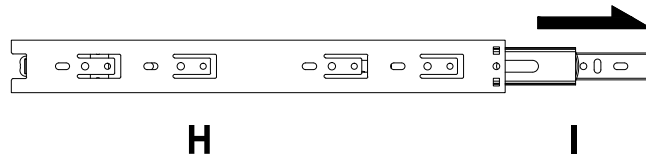




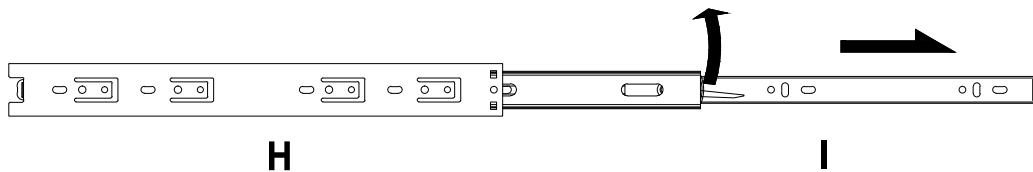
						
6x35mm	15x9mm	4x40mm	6x30mm	3.5x12mm	96mm	3x12mm
A 37PCS	B 37PCS	C 21PCS	D 18PCS	E 8PCS	F 4PCS	G 48PCS
						
330mm	327mm					3x16mm
H 4PCS	I 4PCS	J 6PCS	K 2PCS	L 2PCS	M 2PCS	N 18PCS
						
	4x12mm	10mm	4x40mm	6x30mm		
O 8PCS	P 2PCS	Q 2PCS	R 1PC	S 2PCS	T 4PCS	U 2PCS
						
350mm	350mm	350mm	350mm			
CL 2PCS	CR 2PCS	DL 2PCS	DR 2PCS			

STEP 1

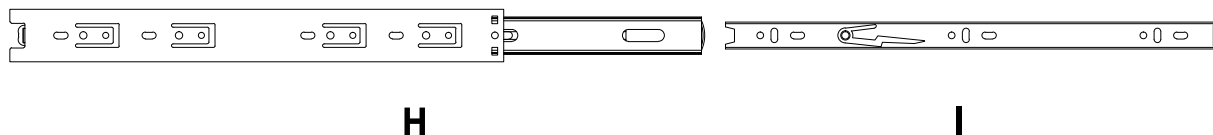
1. Unfold the small part "I" of the large part "H", all the way to the end and in the direction shown.



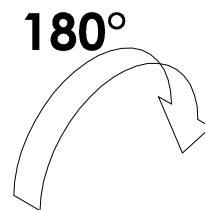
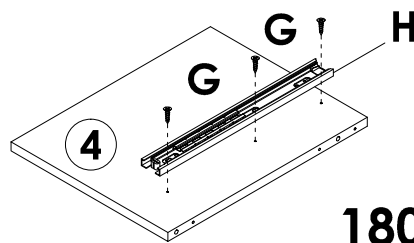
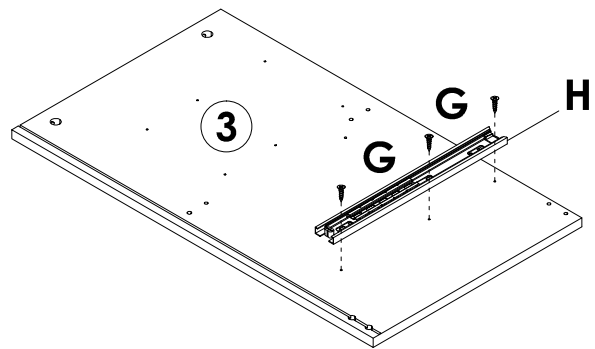
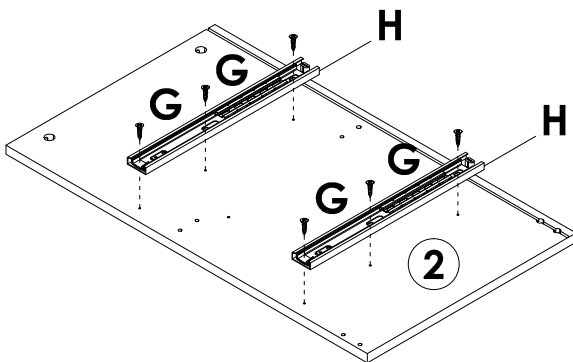
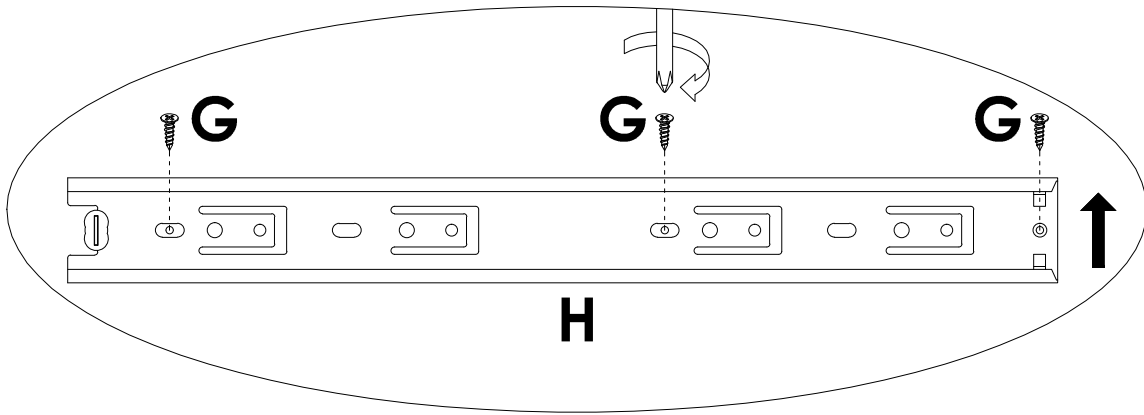
2. Press the lever of part "I", in the direction indicated, at the same time as you separate part "H" from part "I".



3. You should get two Sliders as shown below.

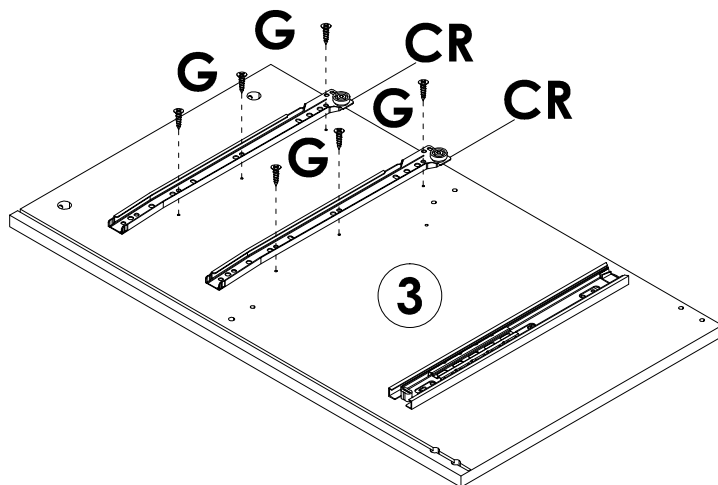
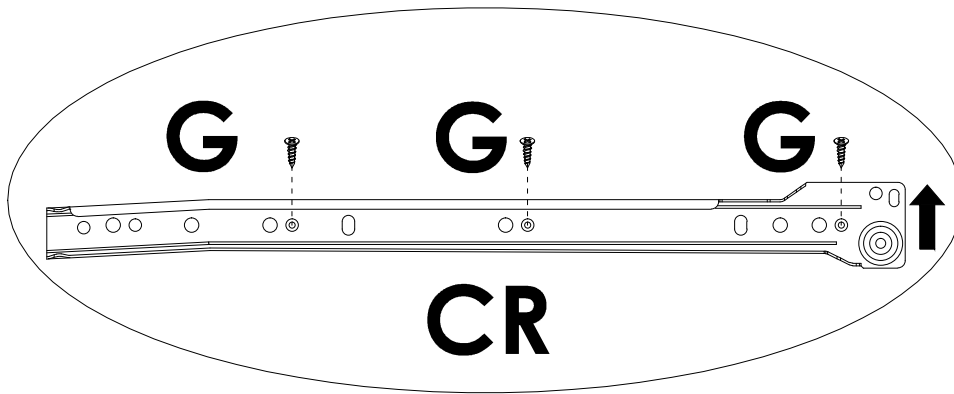
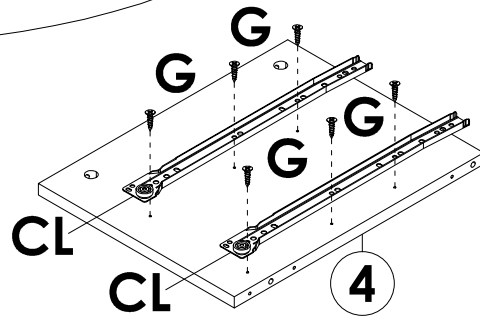
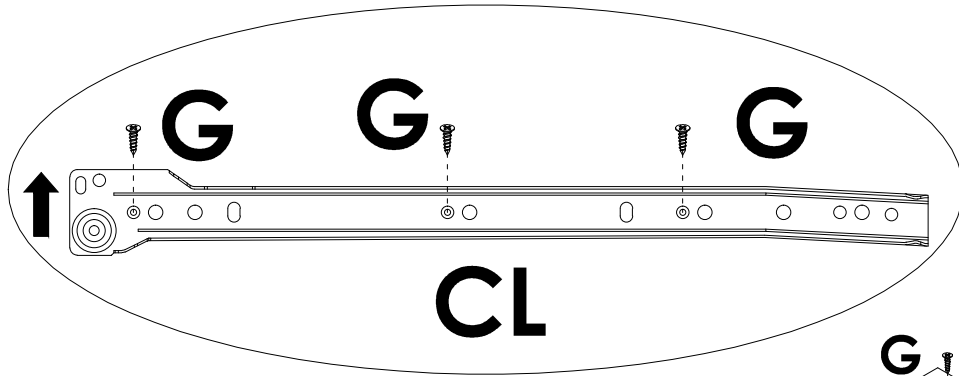





STEP 2



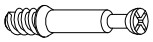
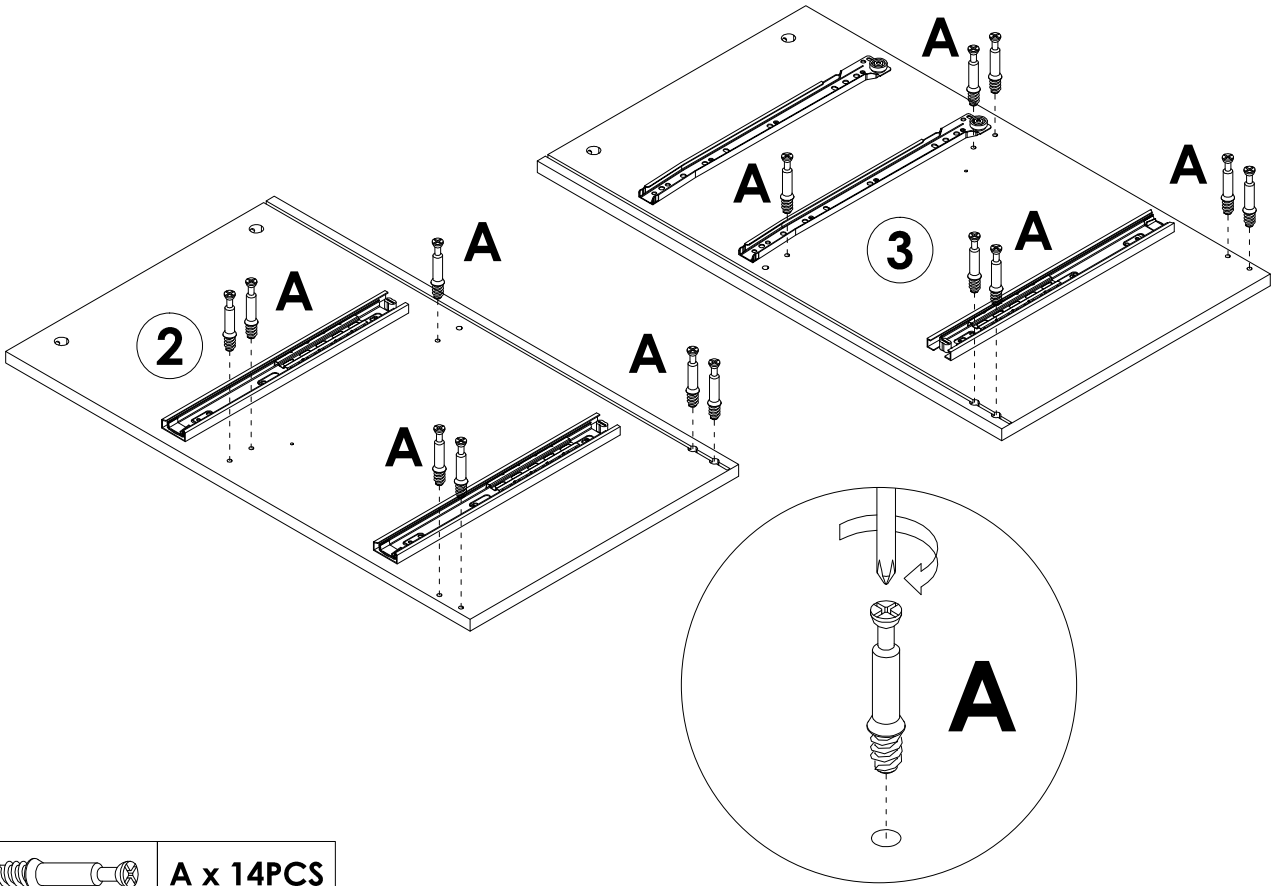
	G x 12PCS
	H x 4PCS

STEP 3



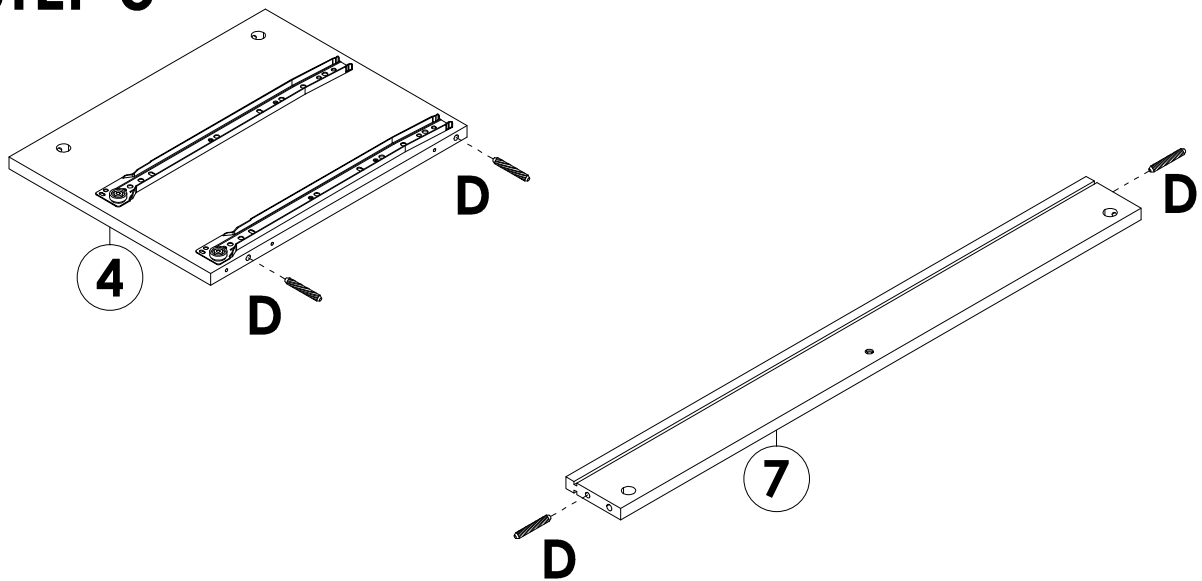
	G x 12PCS
	CL x 2PCS
	CR x 2PCS

STEP 4



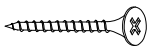
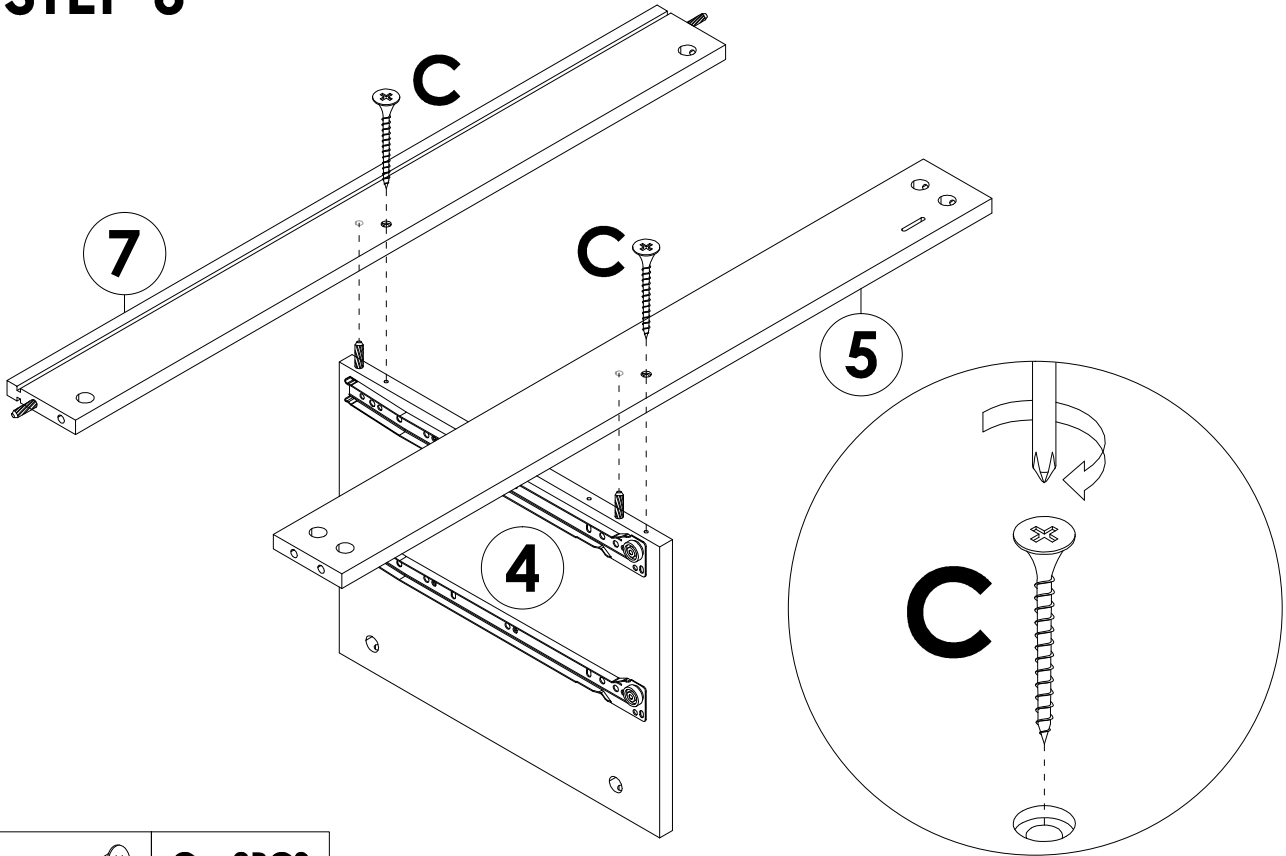
A x 14PCS

STEP 5



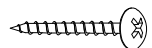
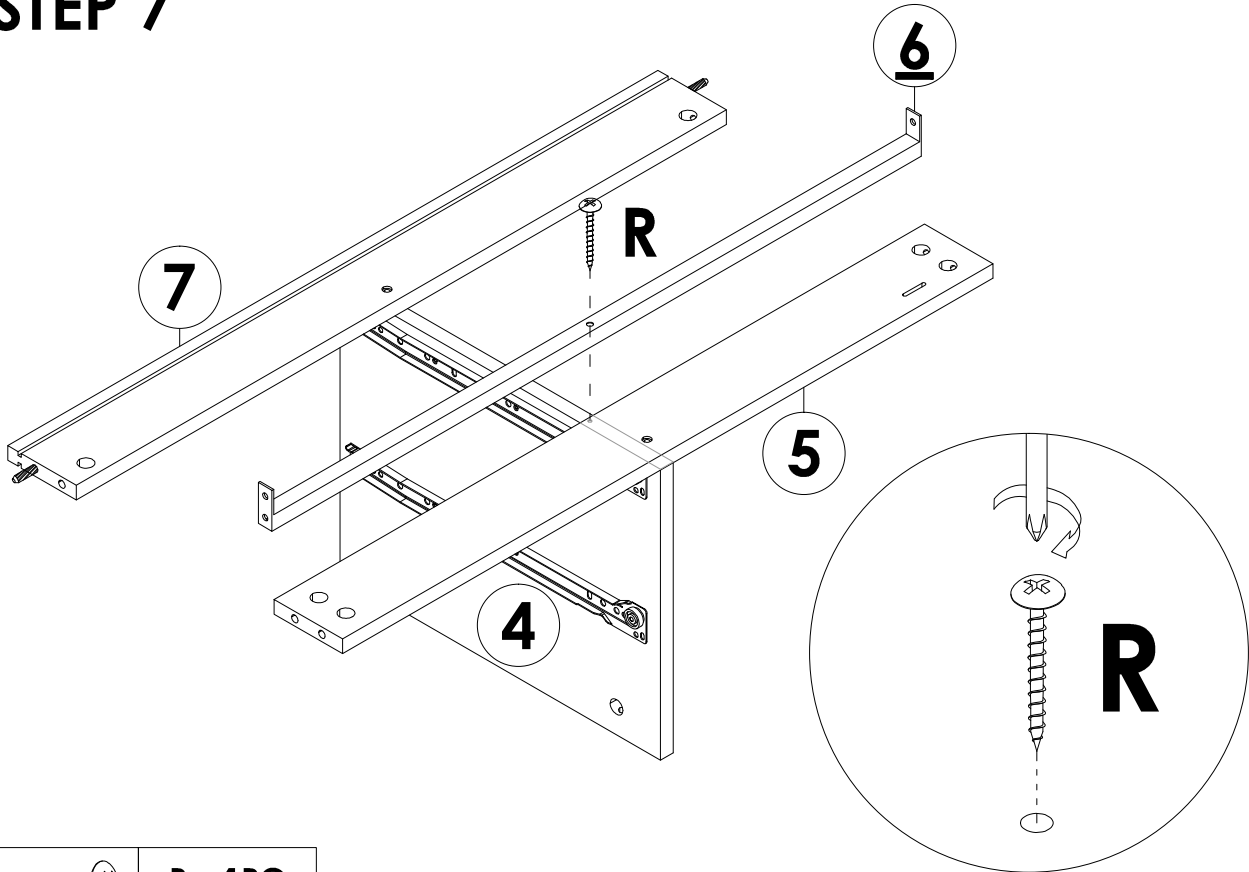
D x 4PCS

STEP 6



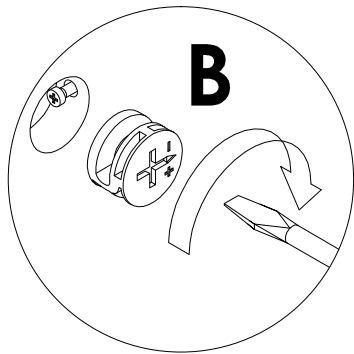
C x 2PCS

STEP 7

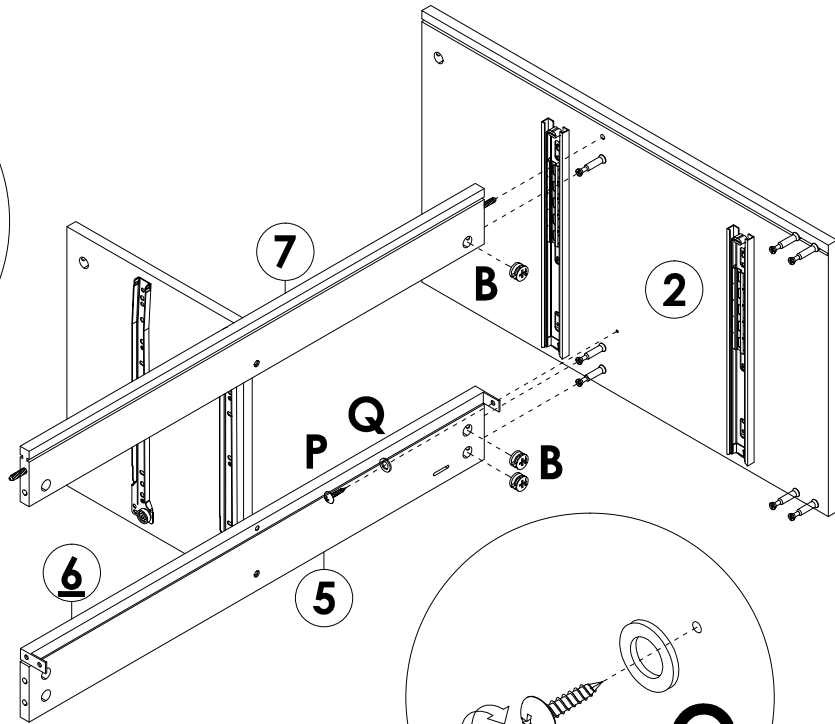
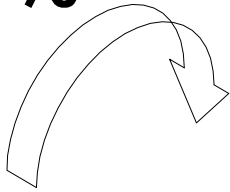





R x 1PC

STEP 8

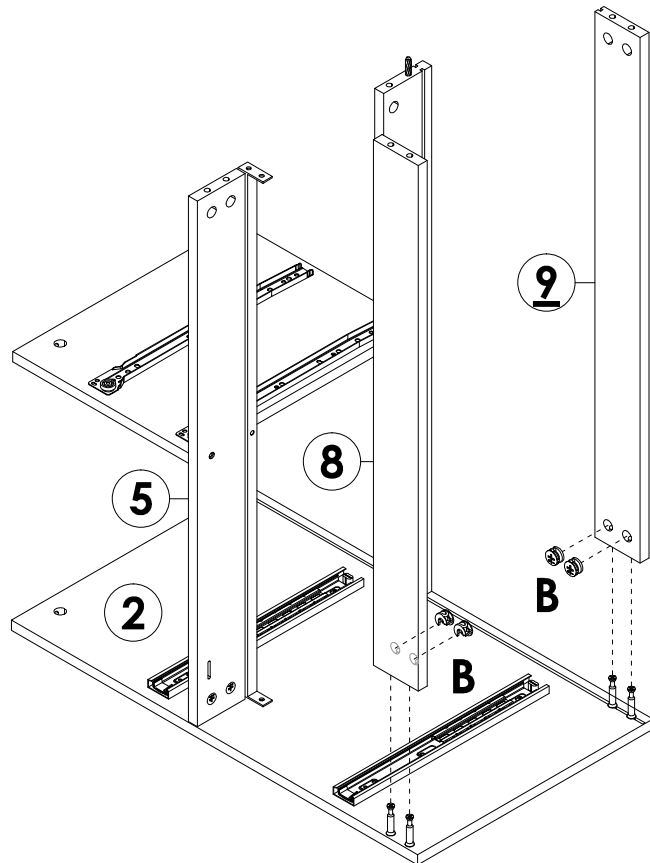
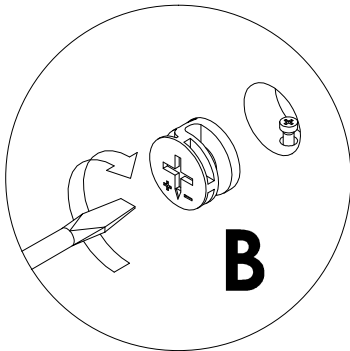



90°



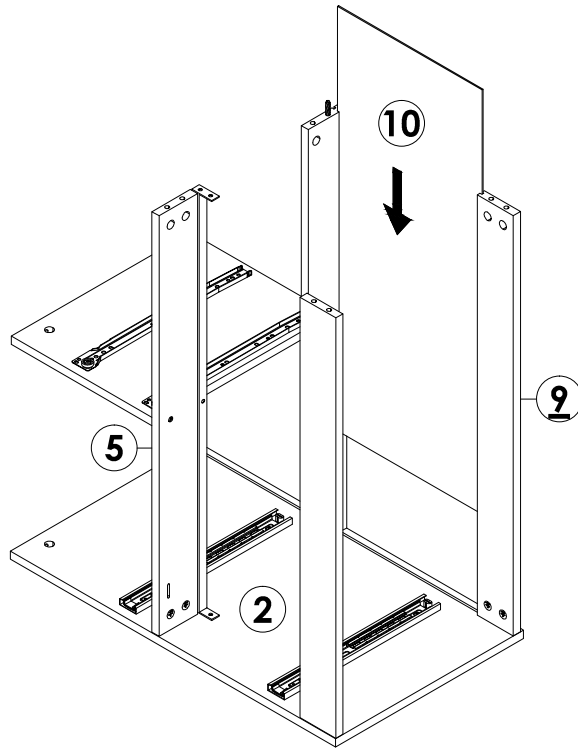
	B x 3PCS
	P x 1PC
	Q x 1PC

STEP 9

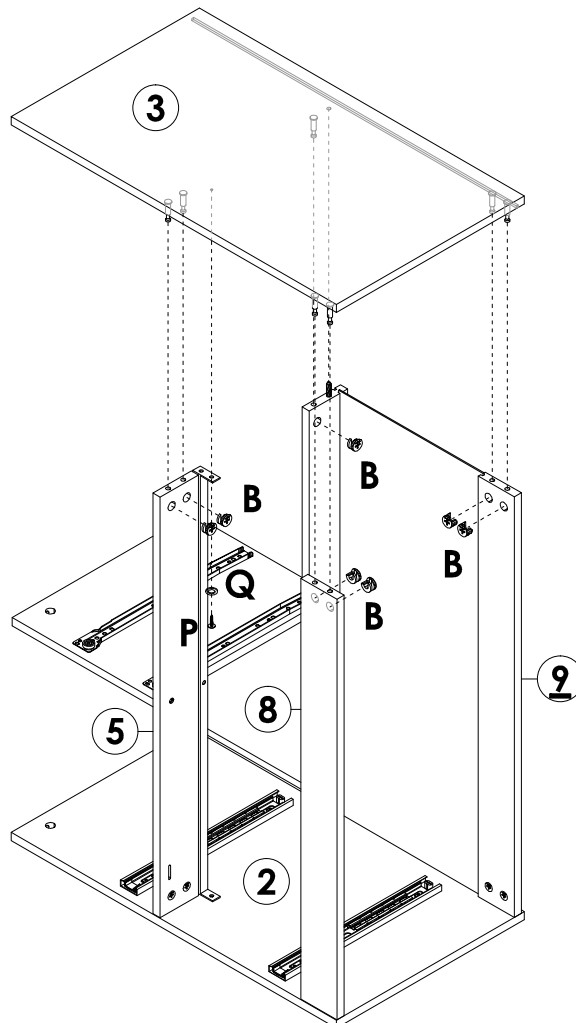
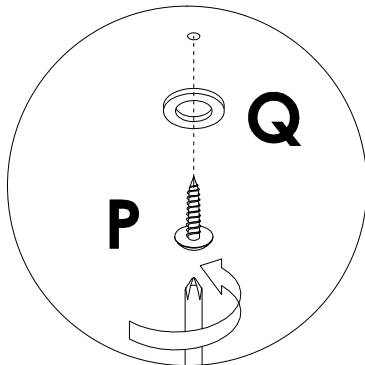
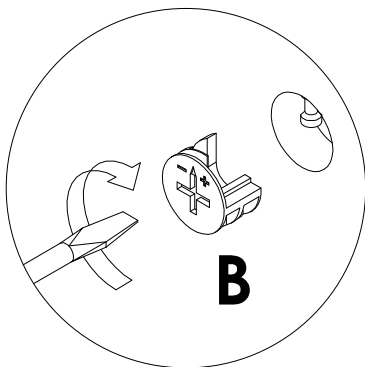


	B x 4PCS
---	----------

STEP 10

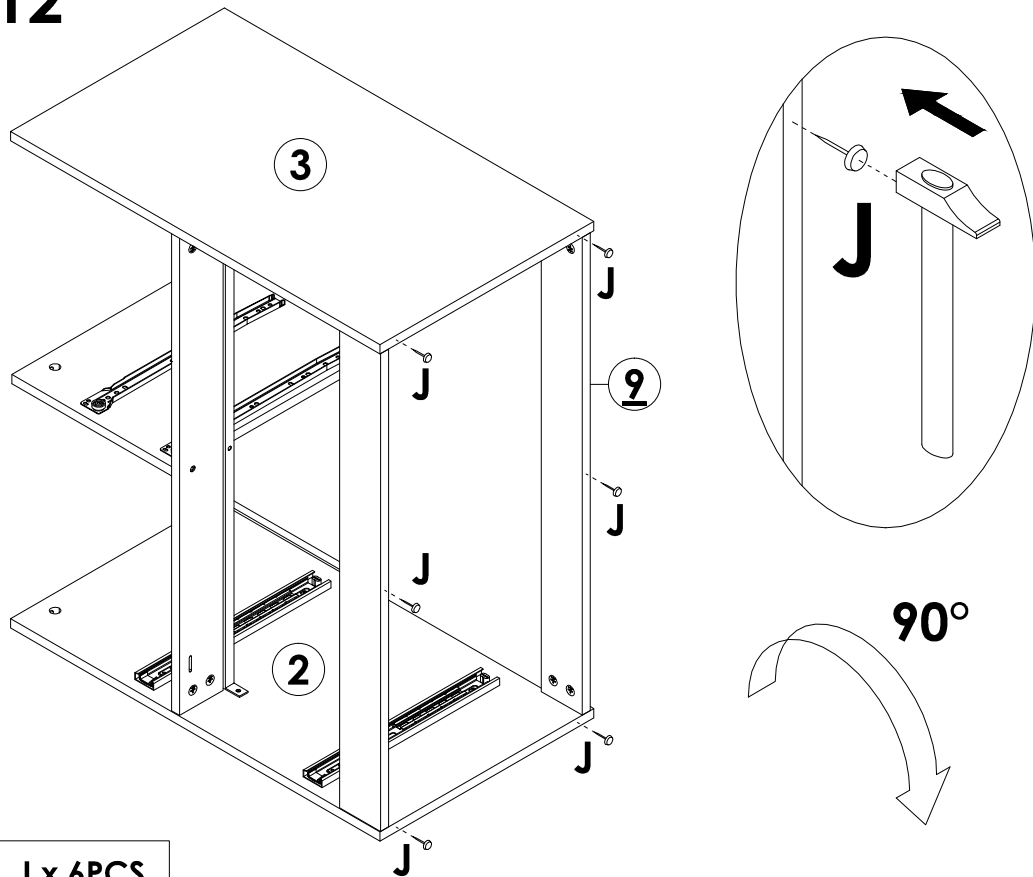


STEP 11



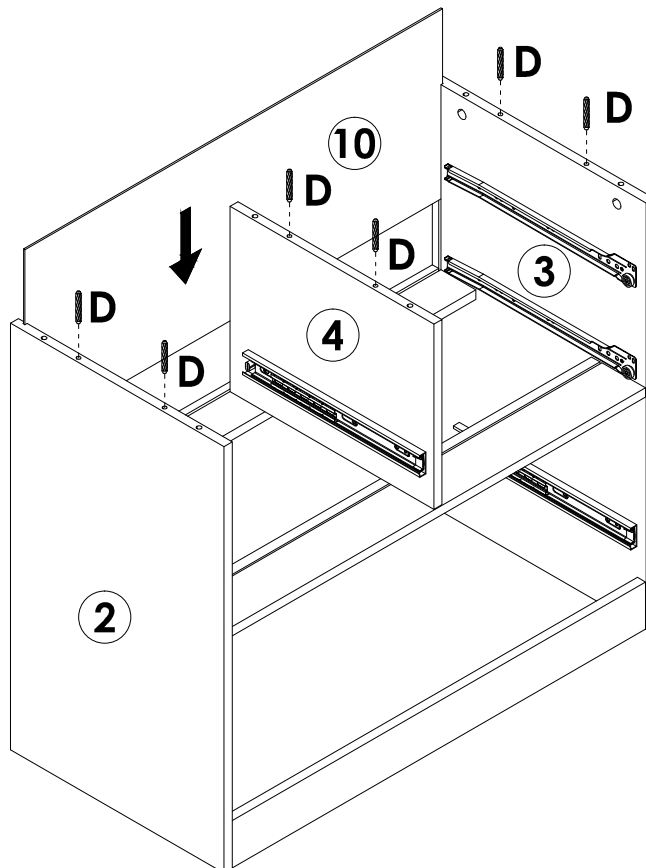
	B x 7PCS
	P x 1PC
	Q x 1PC

STEP 12



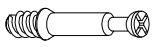
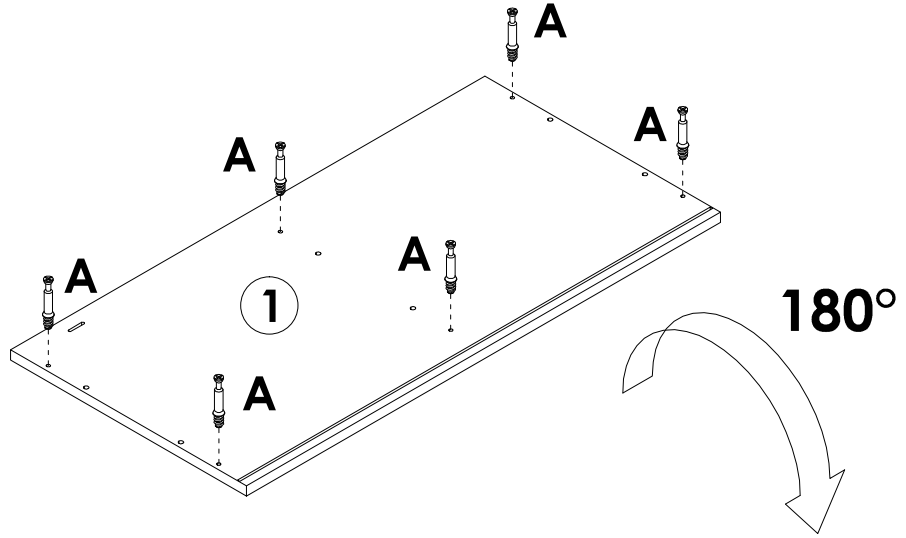
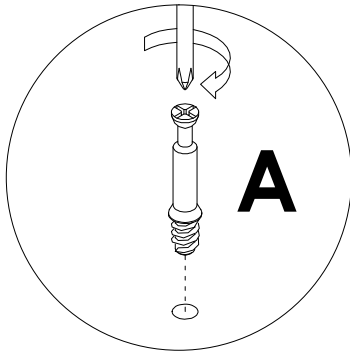
J x 6PCS

STEP 13



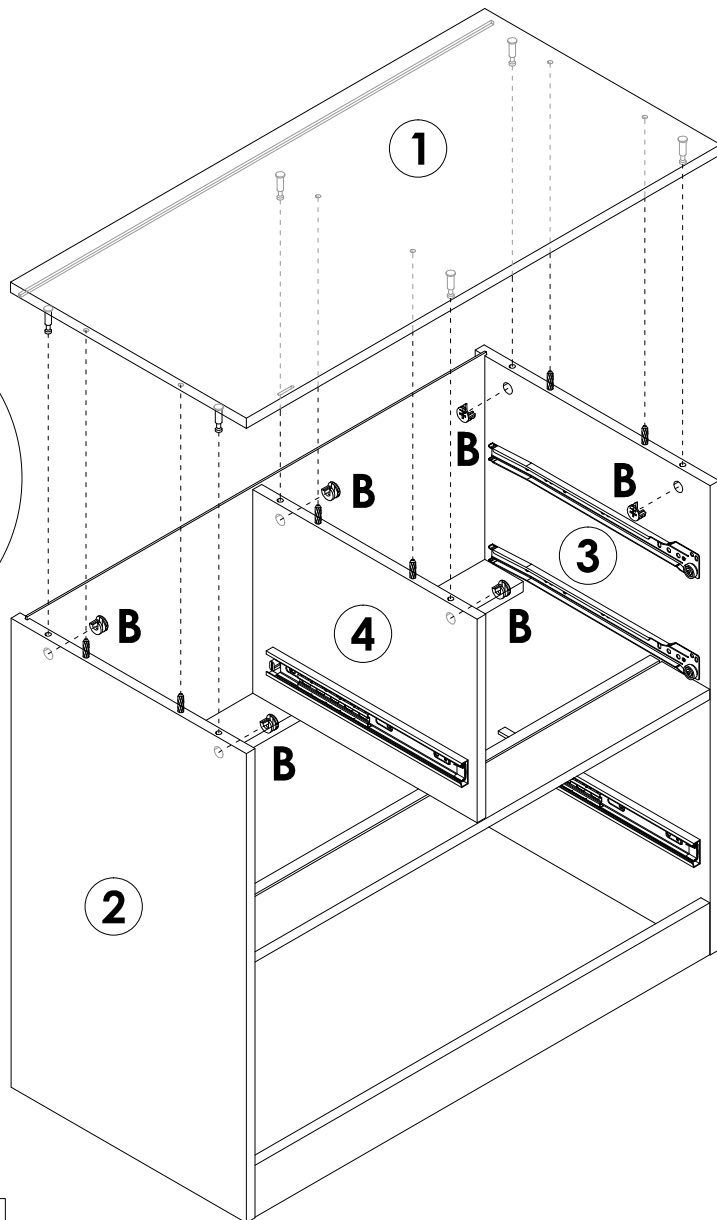
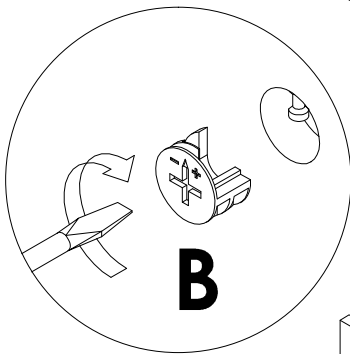
D x 6PCS

STEP 14



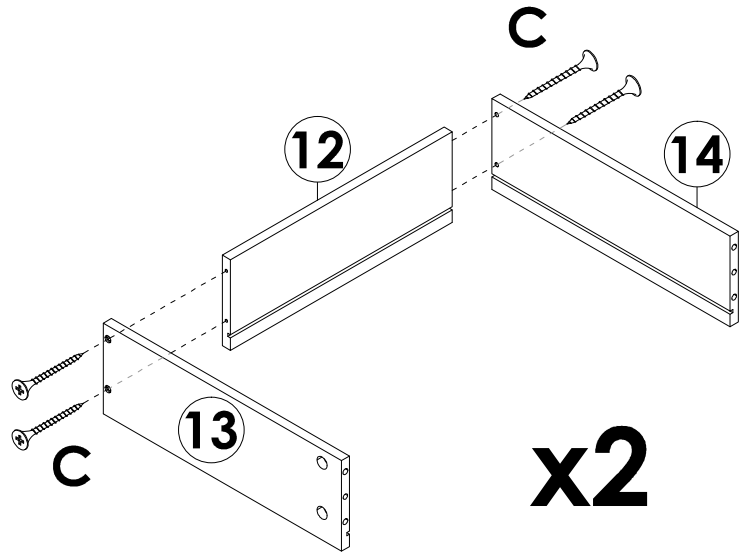
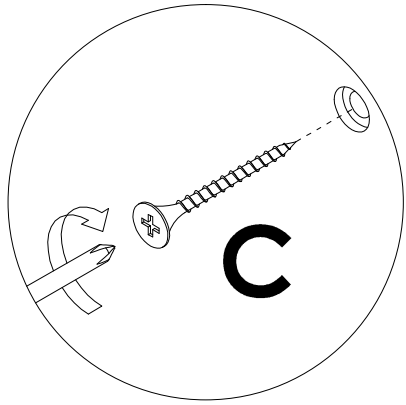
A x 6PCS

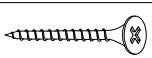
STEP 15



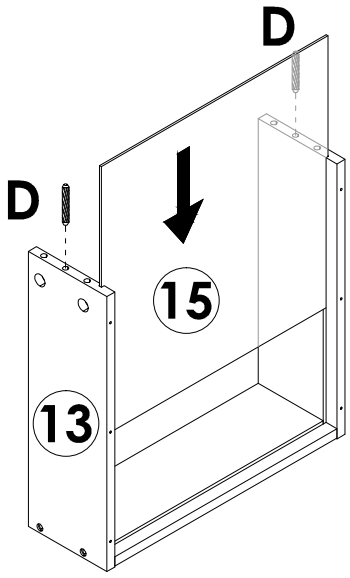
B x 6PCS


STEP 16



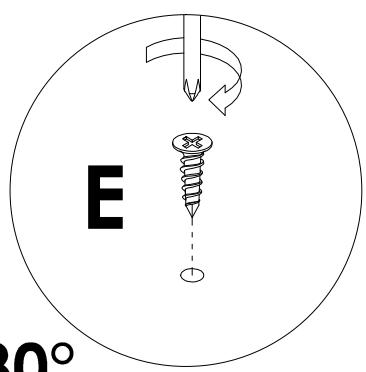
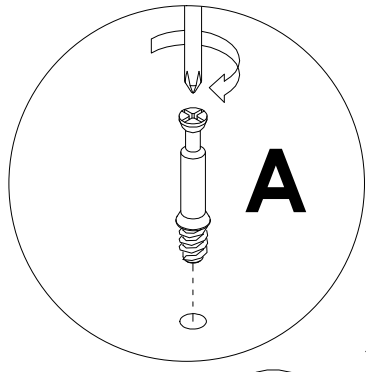
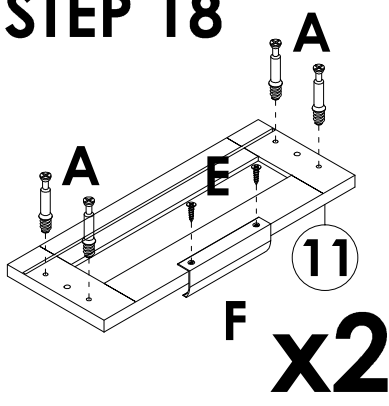
	C x 8PCS
---	-----------------

STEP 17

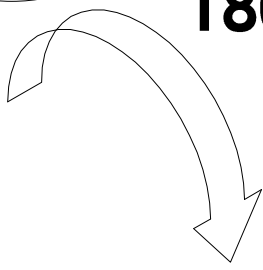


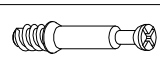


	D x 4PCS
---	-----------------

STEP 18

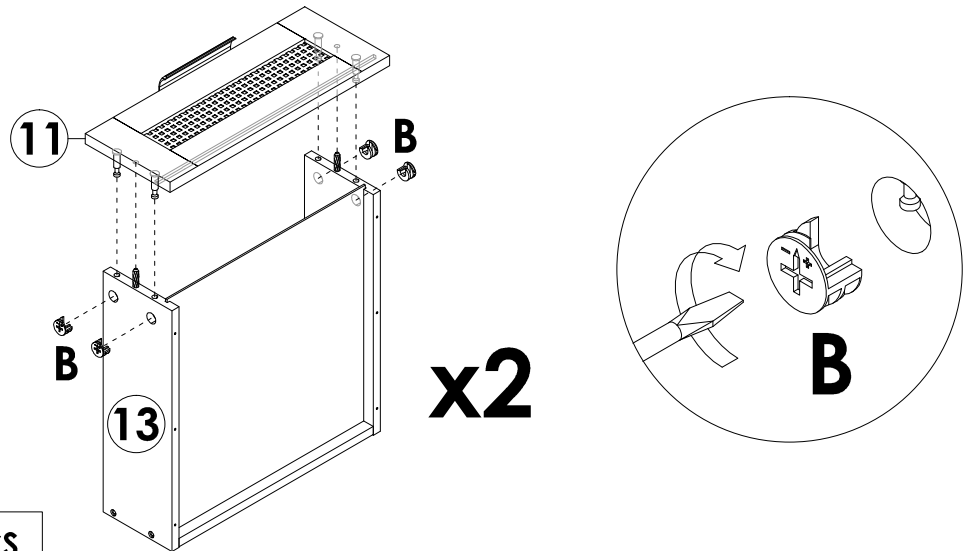


180°



	A x 8PCS
	E x 4PCS
	F x 2PCS

STEP 19

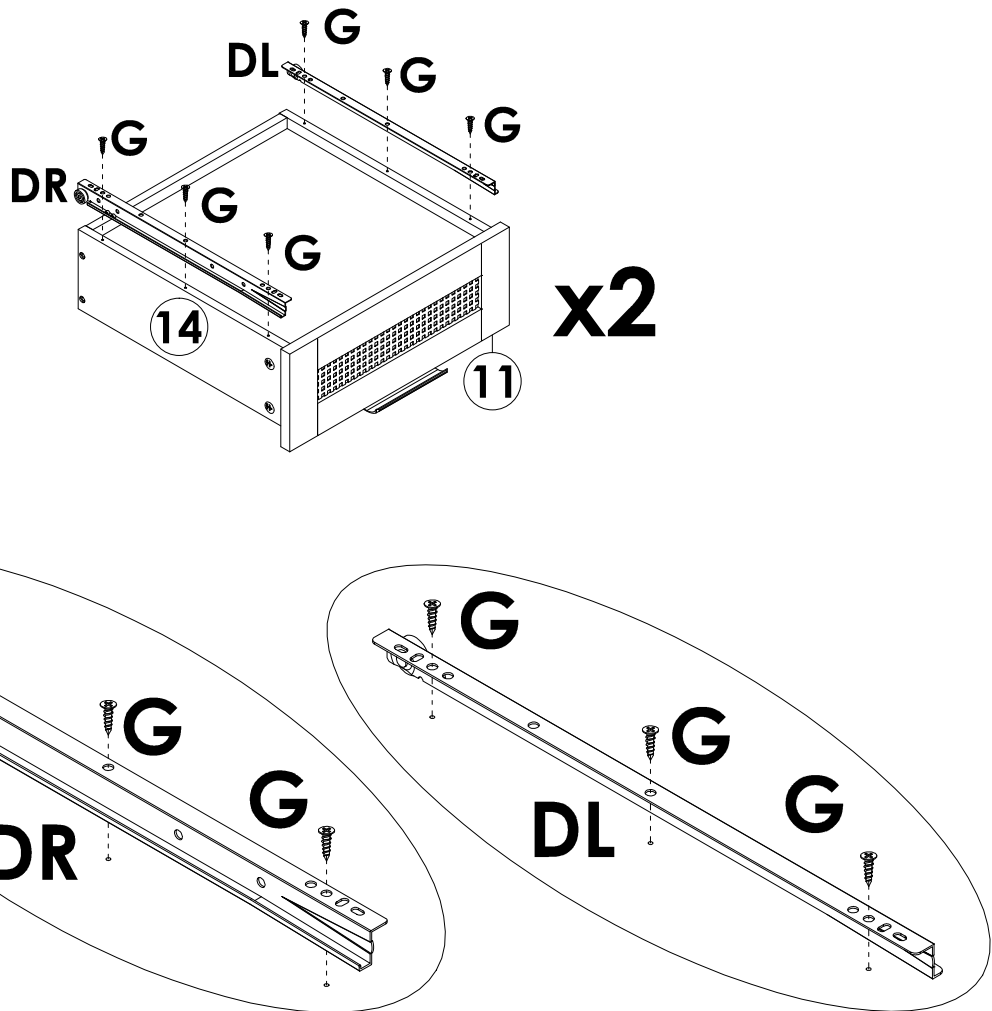


x2



B x 8PCS

STEP 20



x2



G x 12PCS

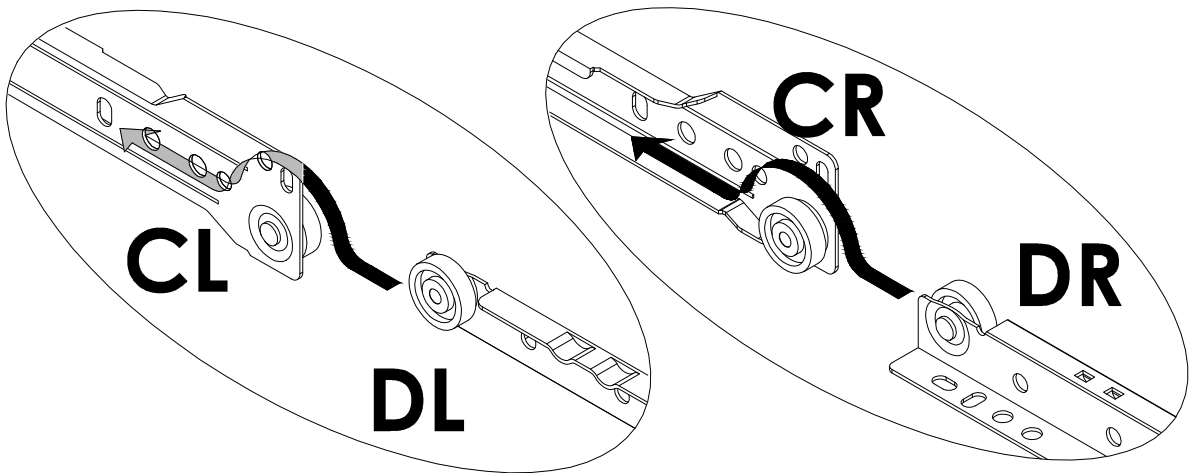
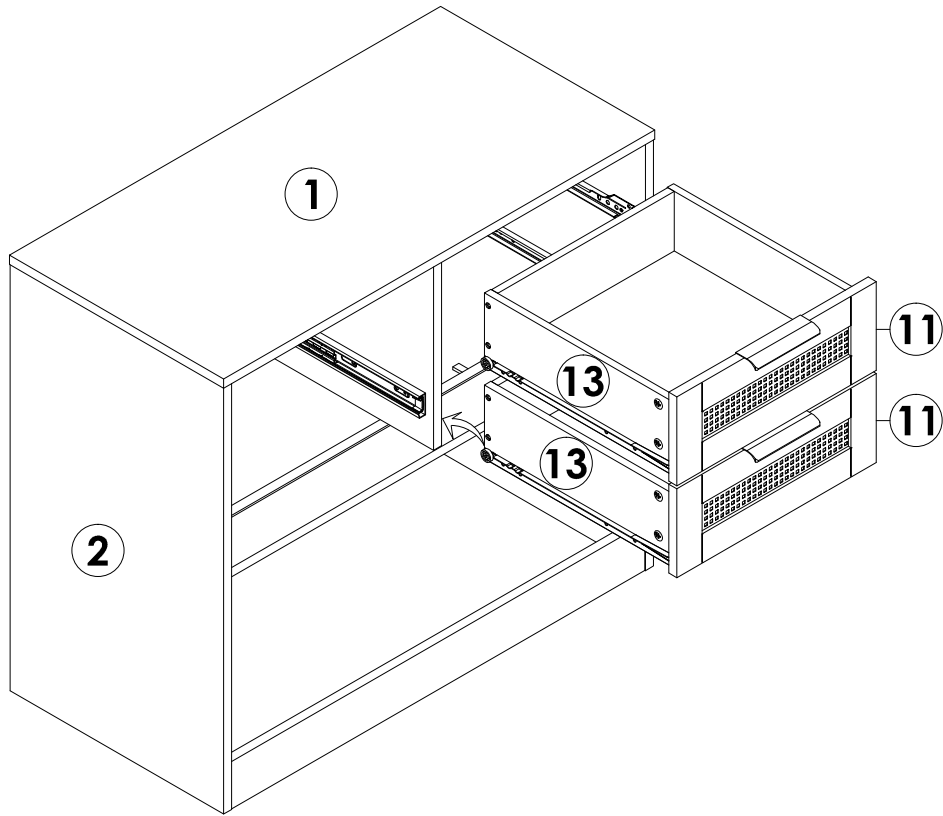


DL x 2PCS

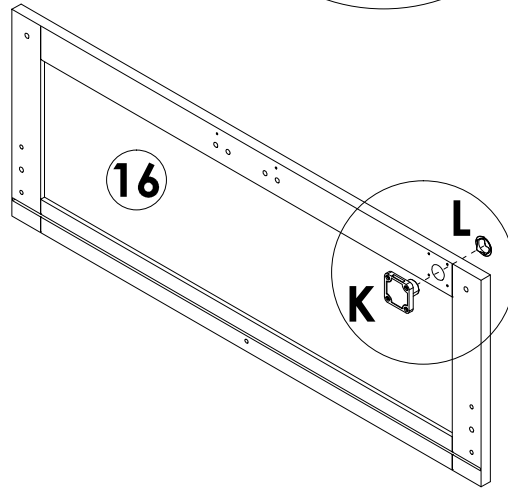
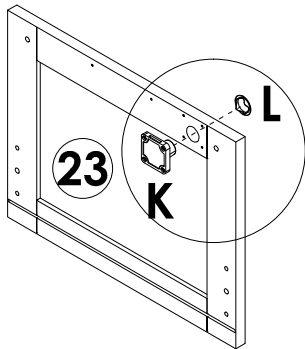
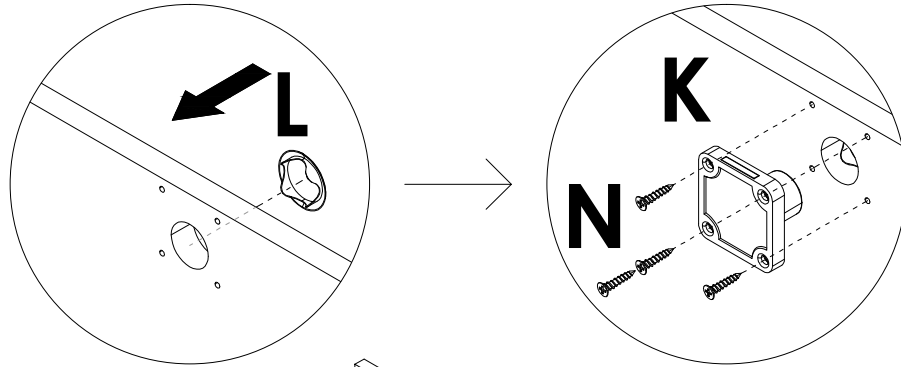




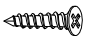
DR x 2PCS

STEP 21

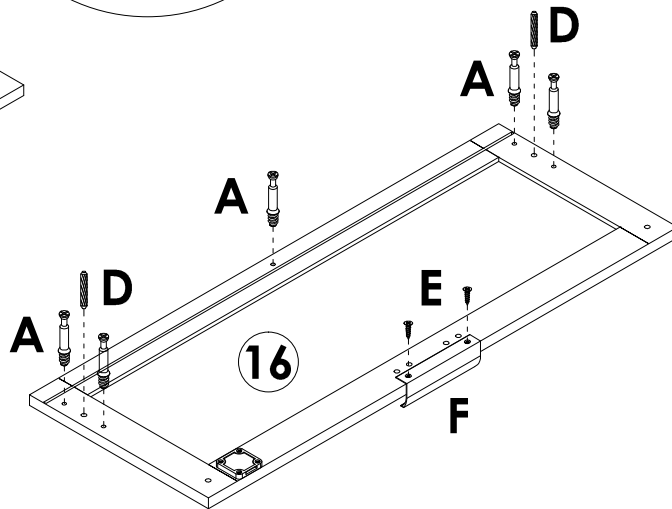
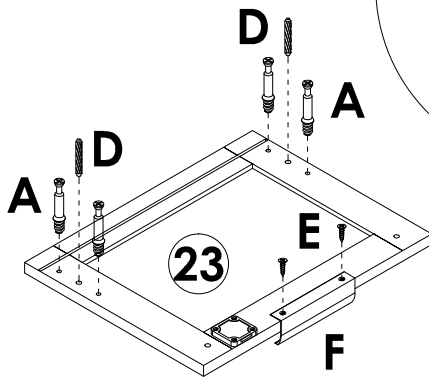
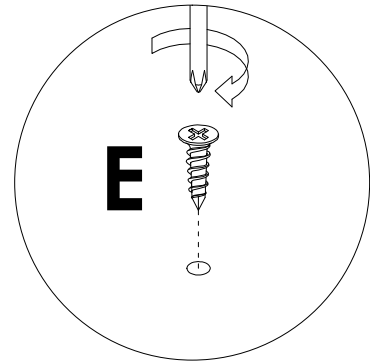
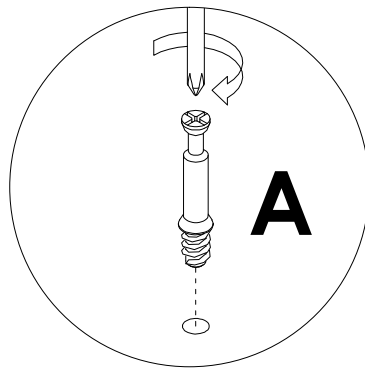


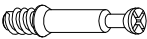



STEP 22



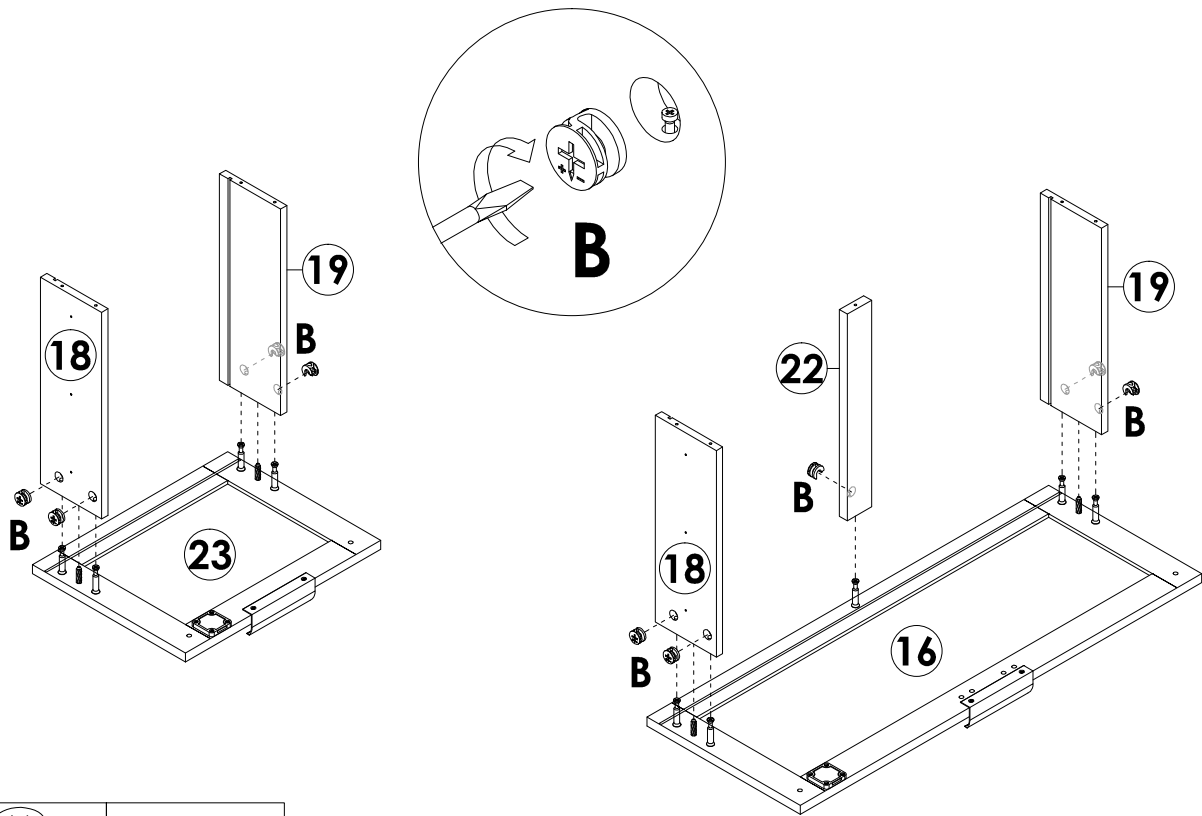
	K x 2PCS
	L x 2PCS
	N x 8PCS

STEP 23



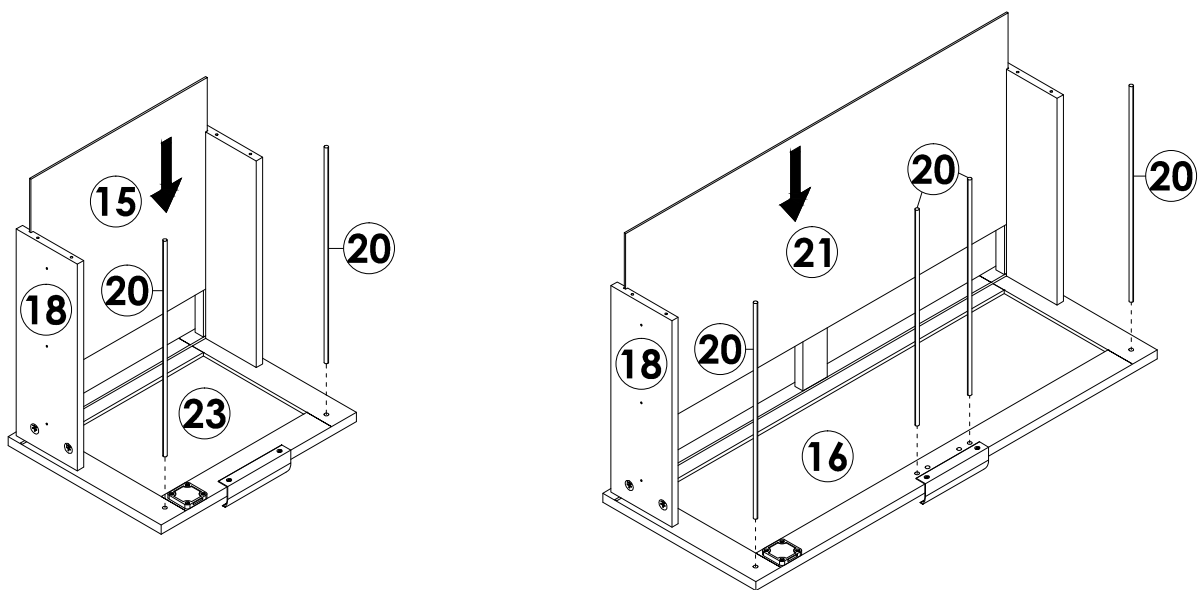
	A x 9PCS
	D x 4PCS
	E x 4PCS
	F x 2PCS

STEP 24

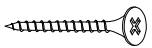
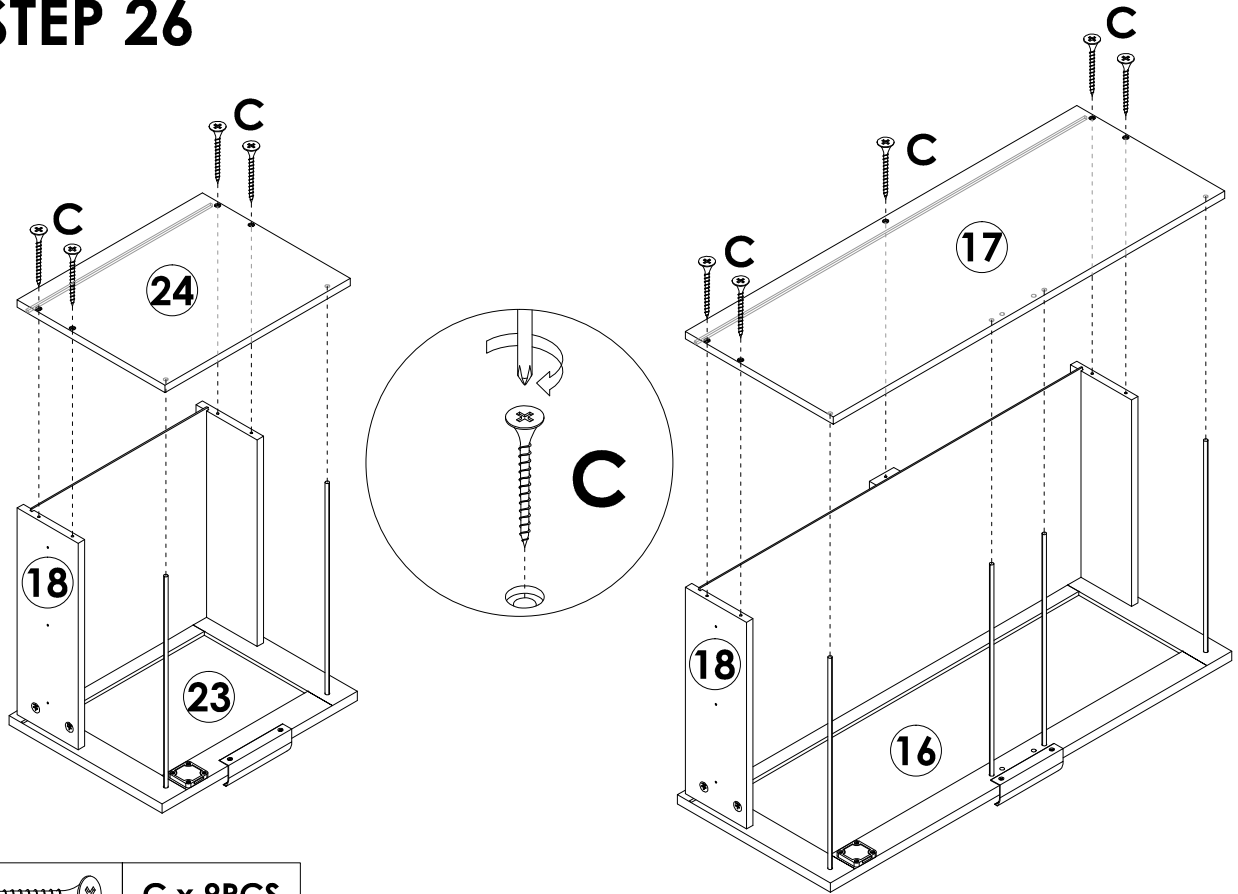


B x 9PCS

STEP 25

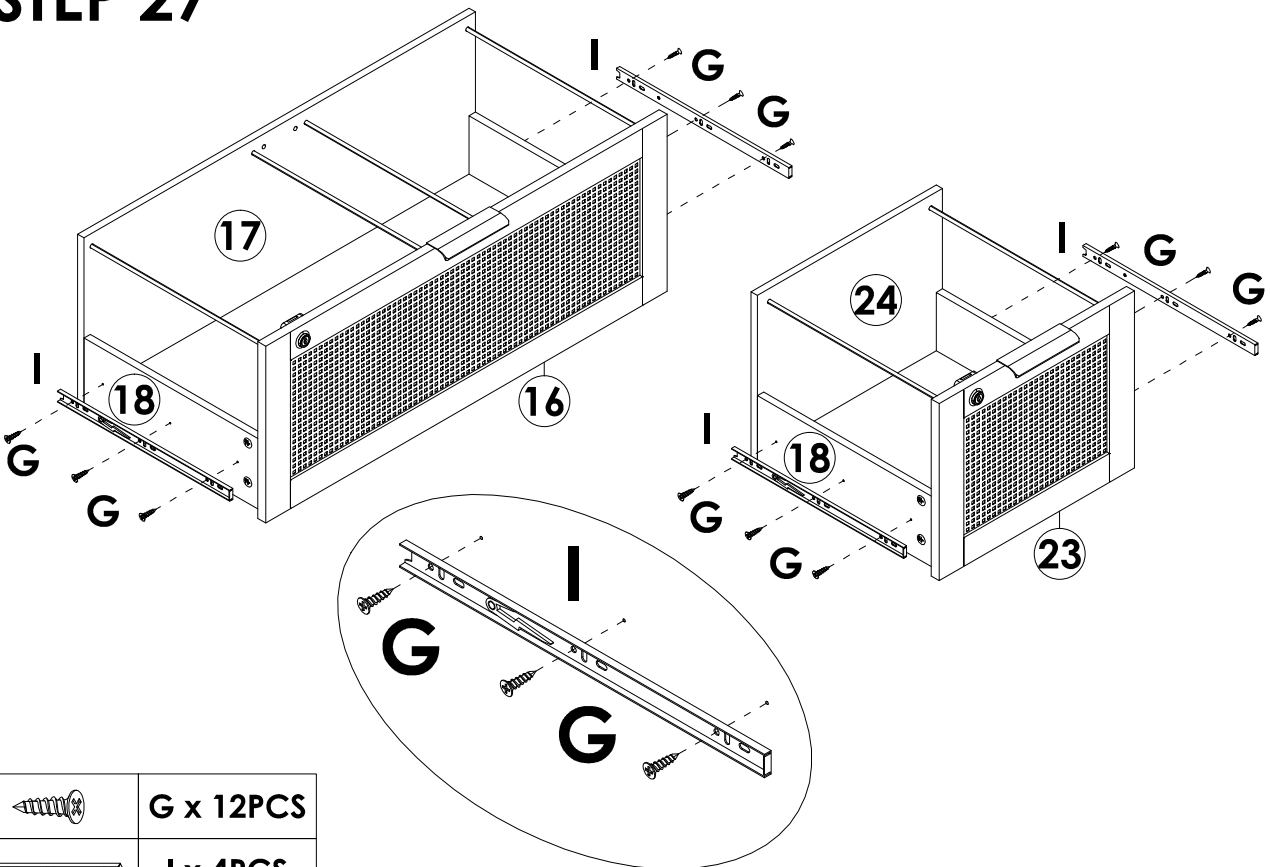


STEP 26

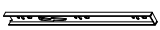


C x 9PCS

STEP 27

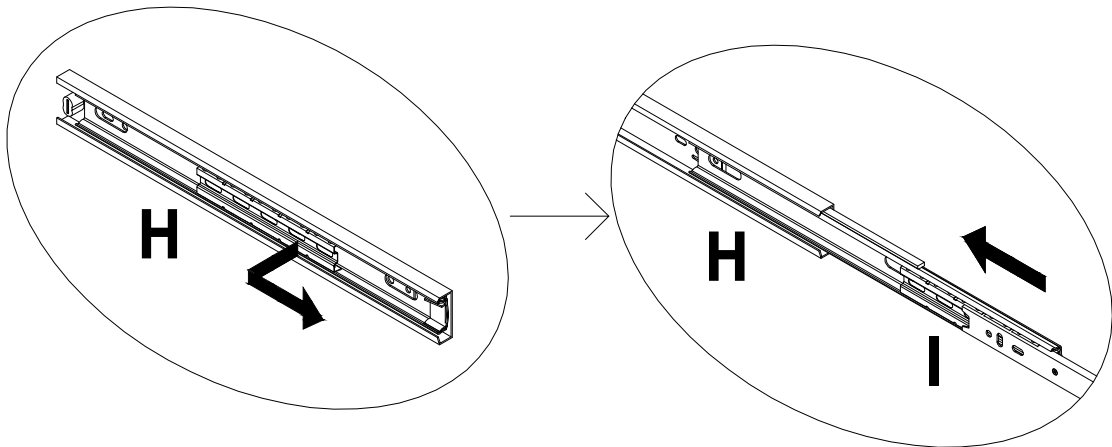
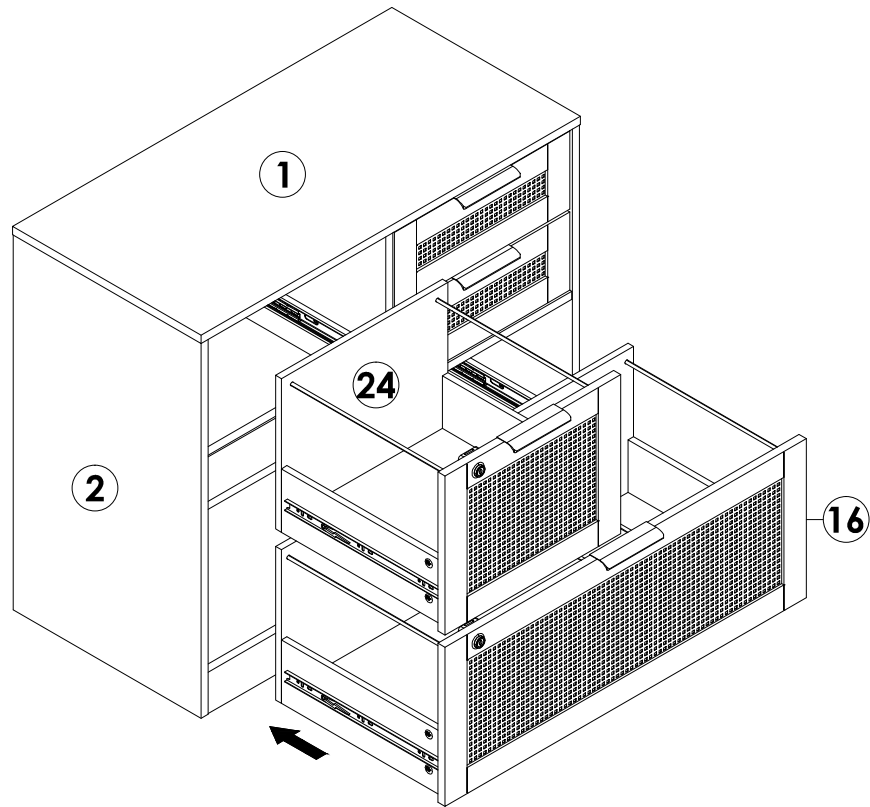


G x 12PCS

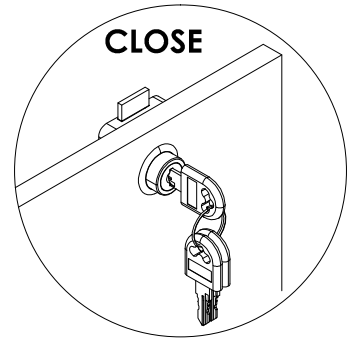
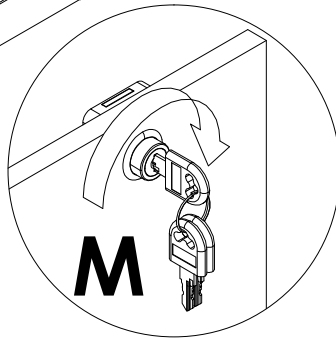
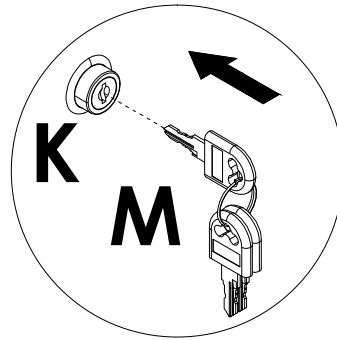
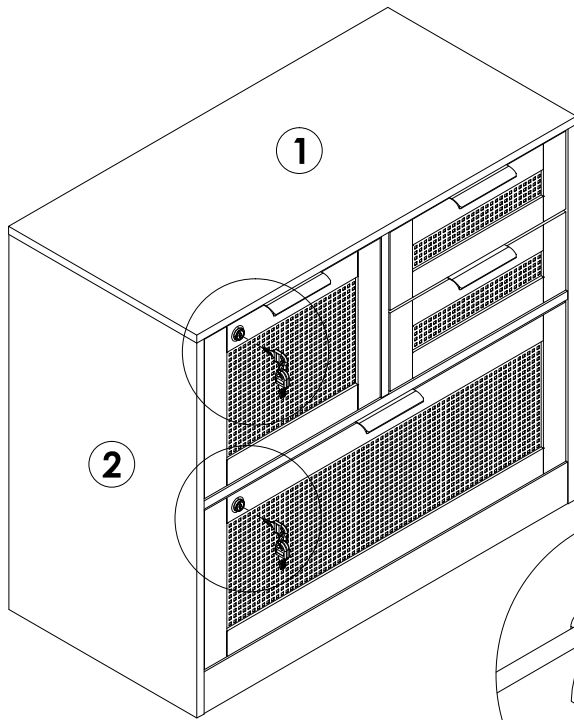


I x 4PCS

STEP 28

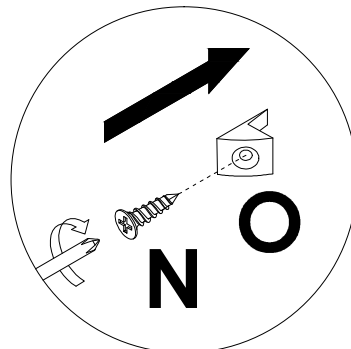
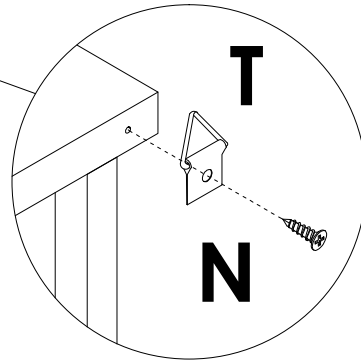
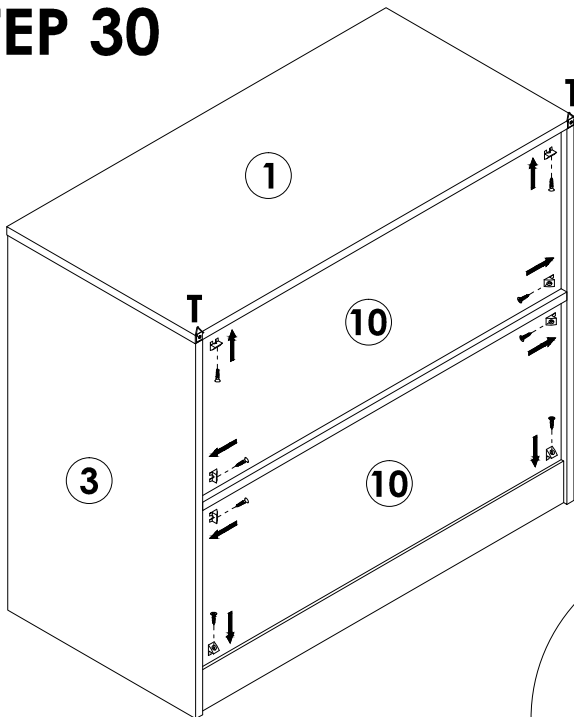


STEP 29



M x 2PCS

STEP 30



N x 10PCS



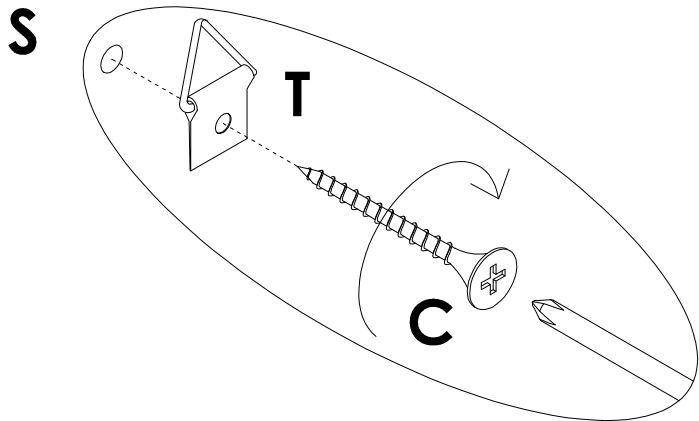
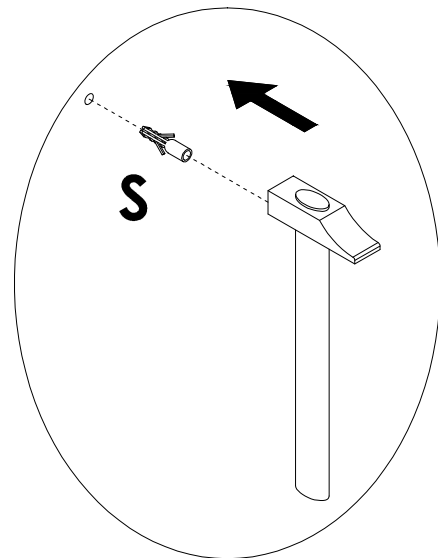
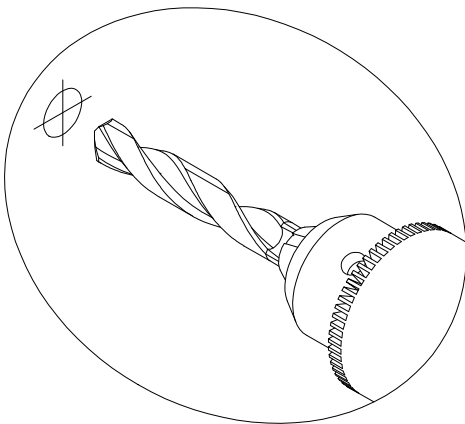
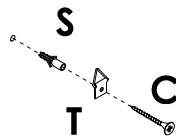
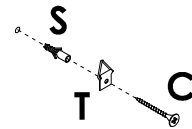
O x 8PCS

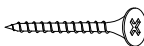
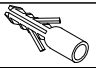



T x 2PCS

STEP 31

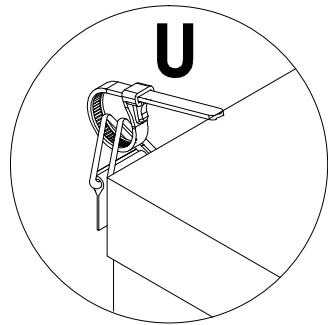
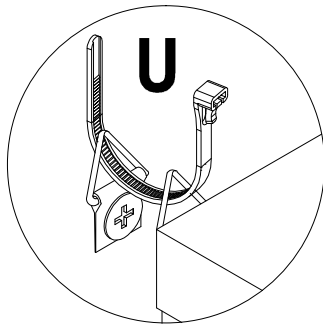
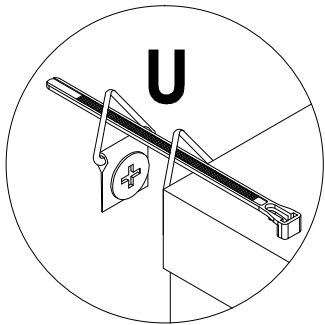
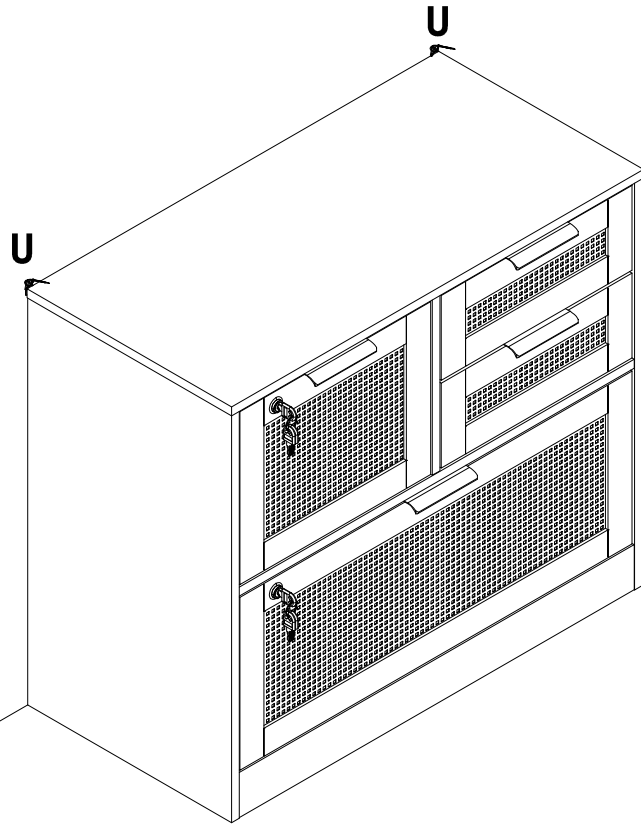
WALL



	C x 2PCS
	S x 2PCS
	T x 2PCS

STEP 32

WALL



U x 2PCS