

# INSTALLATION INSTRUCTIONS

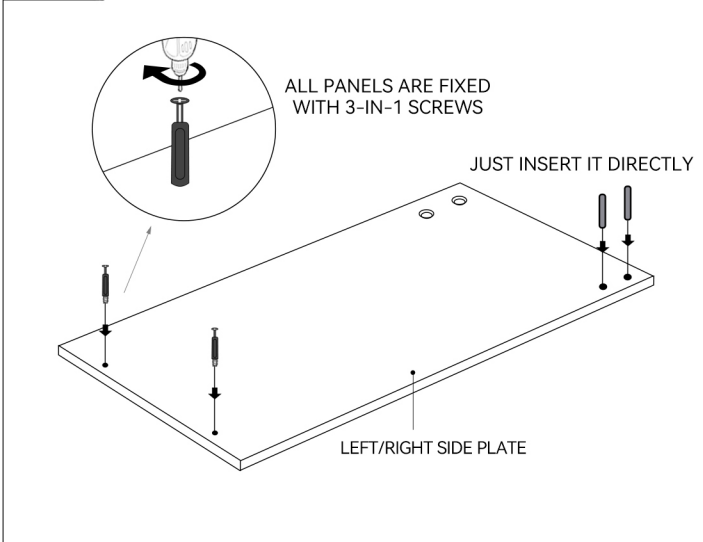
## Parts list

NO.	Description	QTY
01	self-tapping screw	16
02	Expansion Bolts	2
03	Screws for fix on the wall M5.5×60	2
04	3 in 1 screw	60
05	flat head screw	4

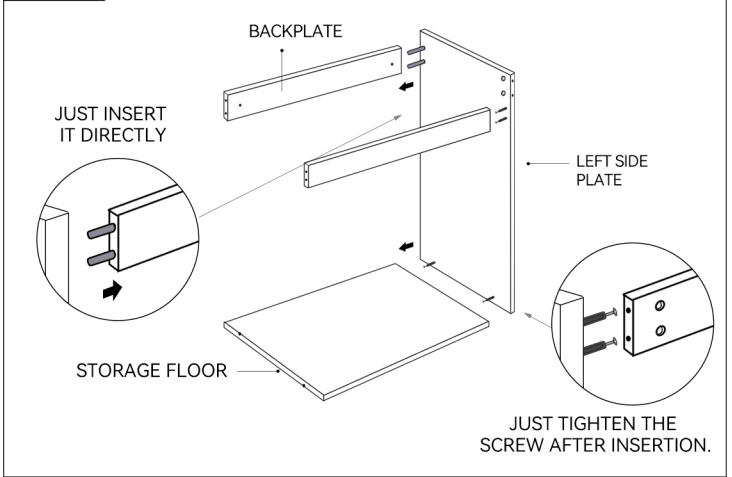
## tool



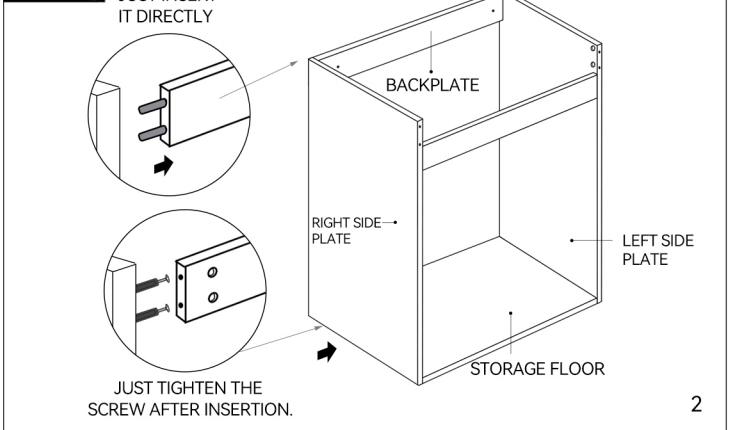
## Step 1



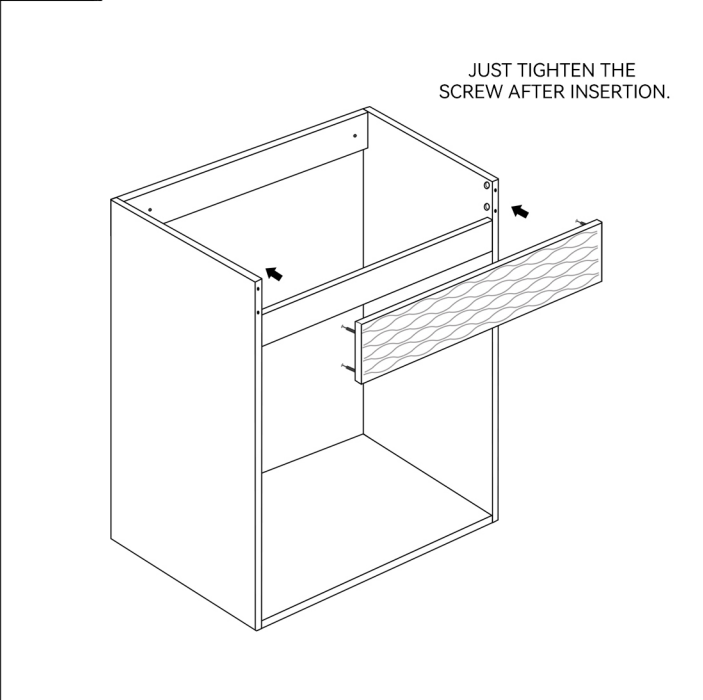
## Step 2



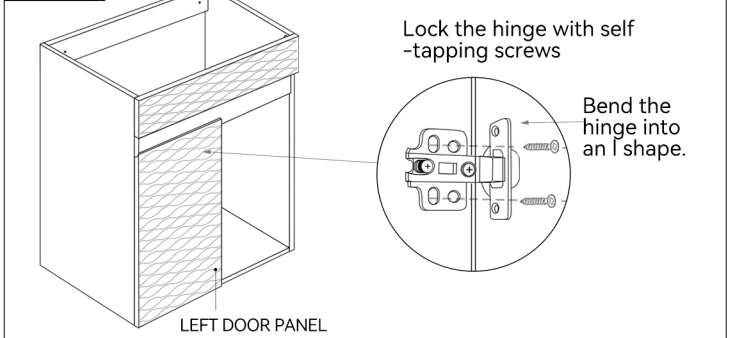
## Step 3



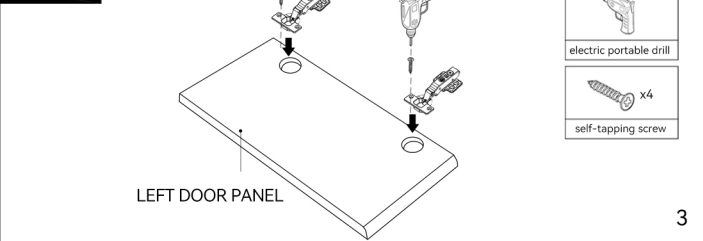
## Step 4



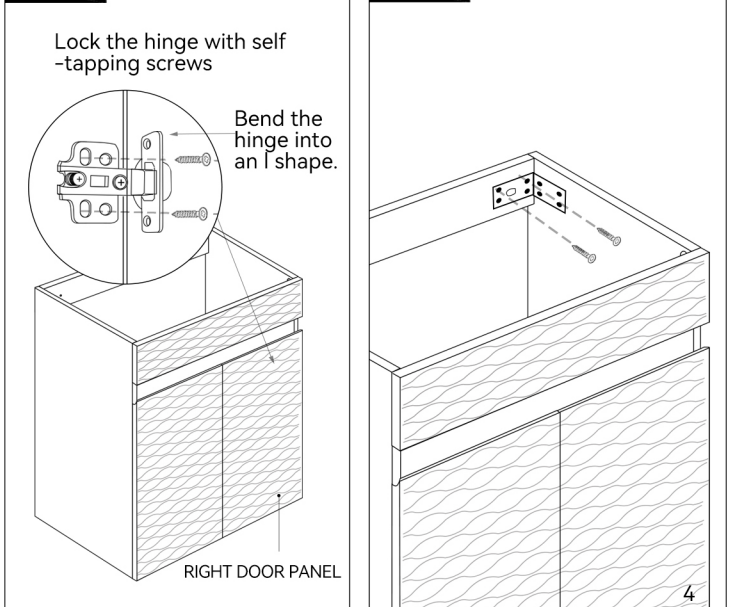
## Step 6



## Step 5

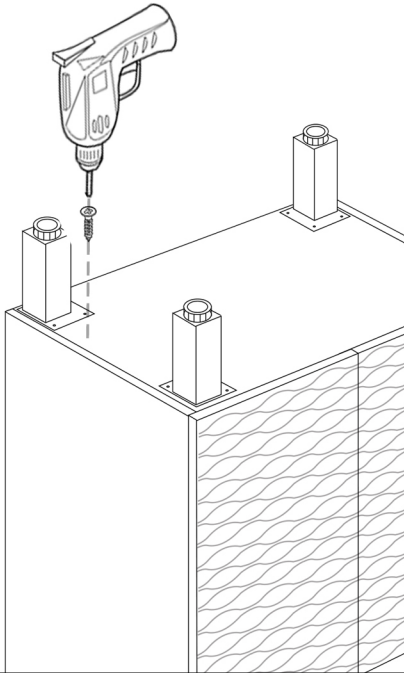


## Step 7

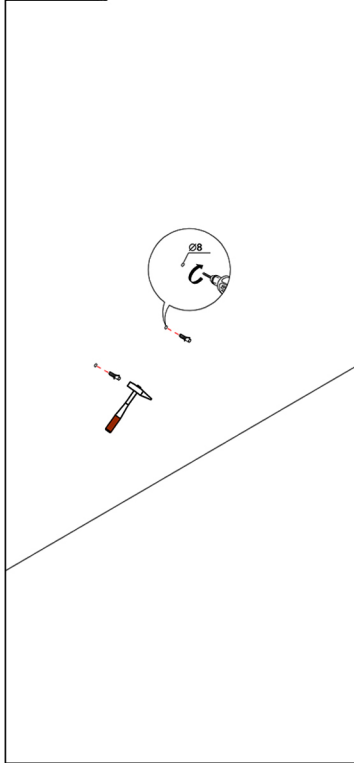


Step 9

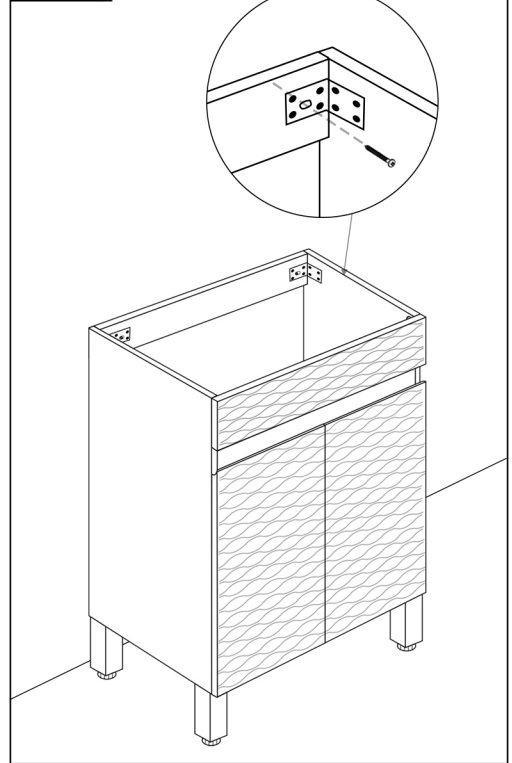
LOCK WITH SELF-TAPPING SCREWS



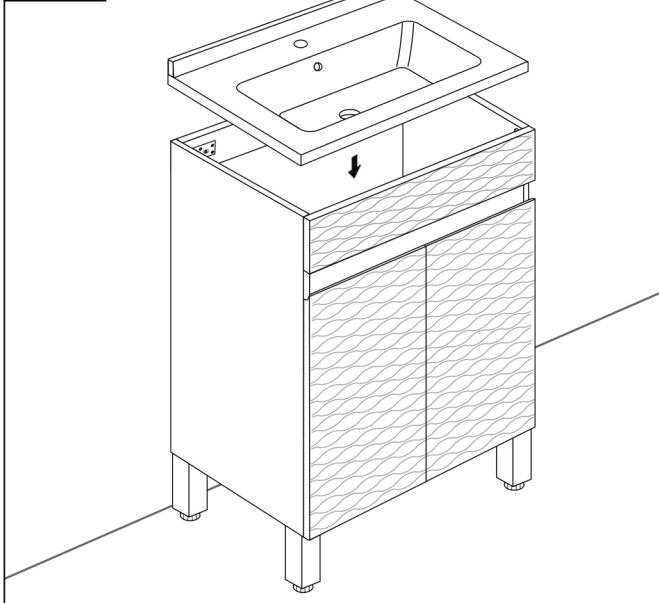
Step 10



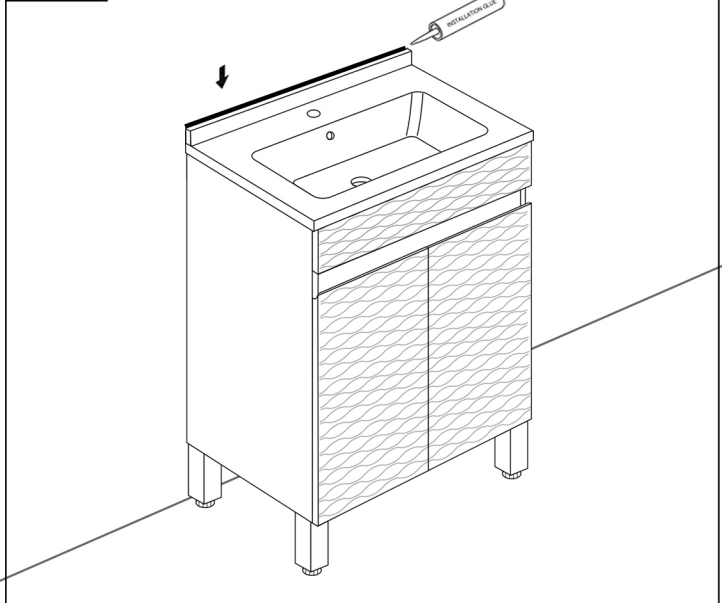
Step 11



Step 12



Step 13



## CARE CLEANING AND MAINTENANCE

1. Dust regularly with a soft, dry cloth.
2. Avoid the use of all chemicals household cleaners, abrasives, or cleaners that contain lemon, vinegar, or other acids that may damage the finish.
3. Excessive exposure to sunlight and extreme changes in temperature and moisture can damage wood furniture.
4. The sink top is resilient, but care needs to be taken to preserve its appearance.
5. Do not place hot appliances, such as curling irons and hot hair dryers directly on the countertop. Wipe spills immediately.