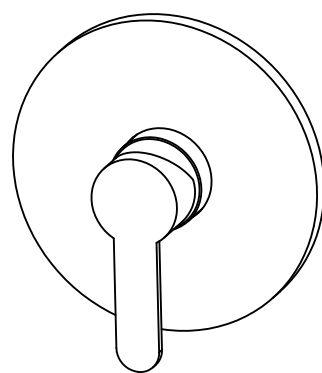
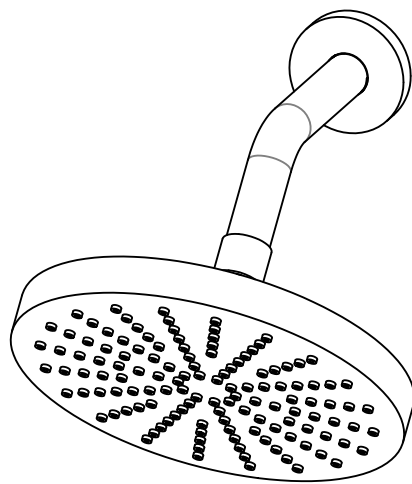


DATASHEET AND MEASUREMENT



Shower Only Faucet

MODEL	FINISH
S3207CI	CHROME
S3207NI	BRUSHED NICKEL

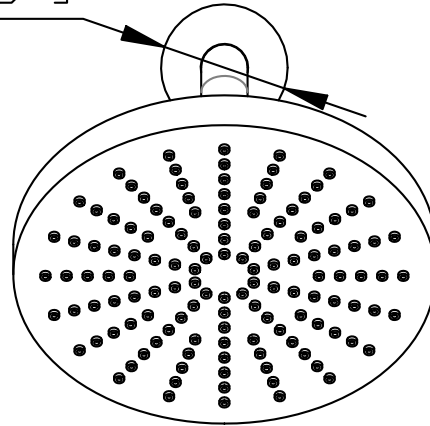
HOT LINE: +1-866-203-0866

FUNCTIONS AND SPECIFICATIONS

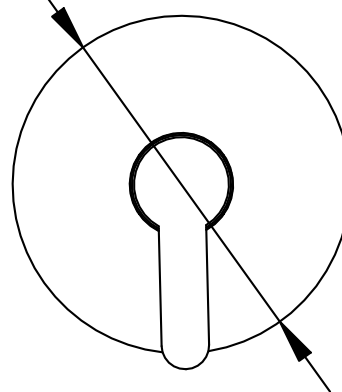
Faucet type	Shower Faucet
Theme	Modern, Contemporary
Finish	Chrome / Brushed Nickel
Mounting Type	Wall Mounted
Number of Handles	One
Handle Material	Metal
Handle Style	Lever
Shower Arm Reach	5-13/16 in. [148mm]
Shower Head Dimension	7-7/8 in. [Φ200mm]
Showerhead	Single Function
Valve Type	Φ40 Ceramic Cartridge
Faucet Body Material	Brass
Escutcheon Included	Yes
Escutcheon Dimension	6-9/32 in. [Φ160mm]
Escutcheon Material	Stainless Steel
Spray Pattern	Rain
Showerhead Shape	Round
Showerhead Material	ABS Plastic
Showerhead Flow Rate	1.8GPM [6.8L/M]
Recommended Working Water Pressure	43.5 PSI ~ 116 PSI [0.3 ~0.8 MPa]
Net Weight	2.2 lbs [1.0 kg]
Gross Weight	2.64 lbs [1.2 kg]
Packing Box [L x W x H]	8-27/32 in. [225mm] x 8-15/32 in. [215mm] x 6-11/16 in. [170mm]

DIMENSION

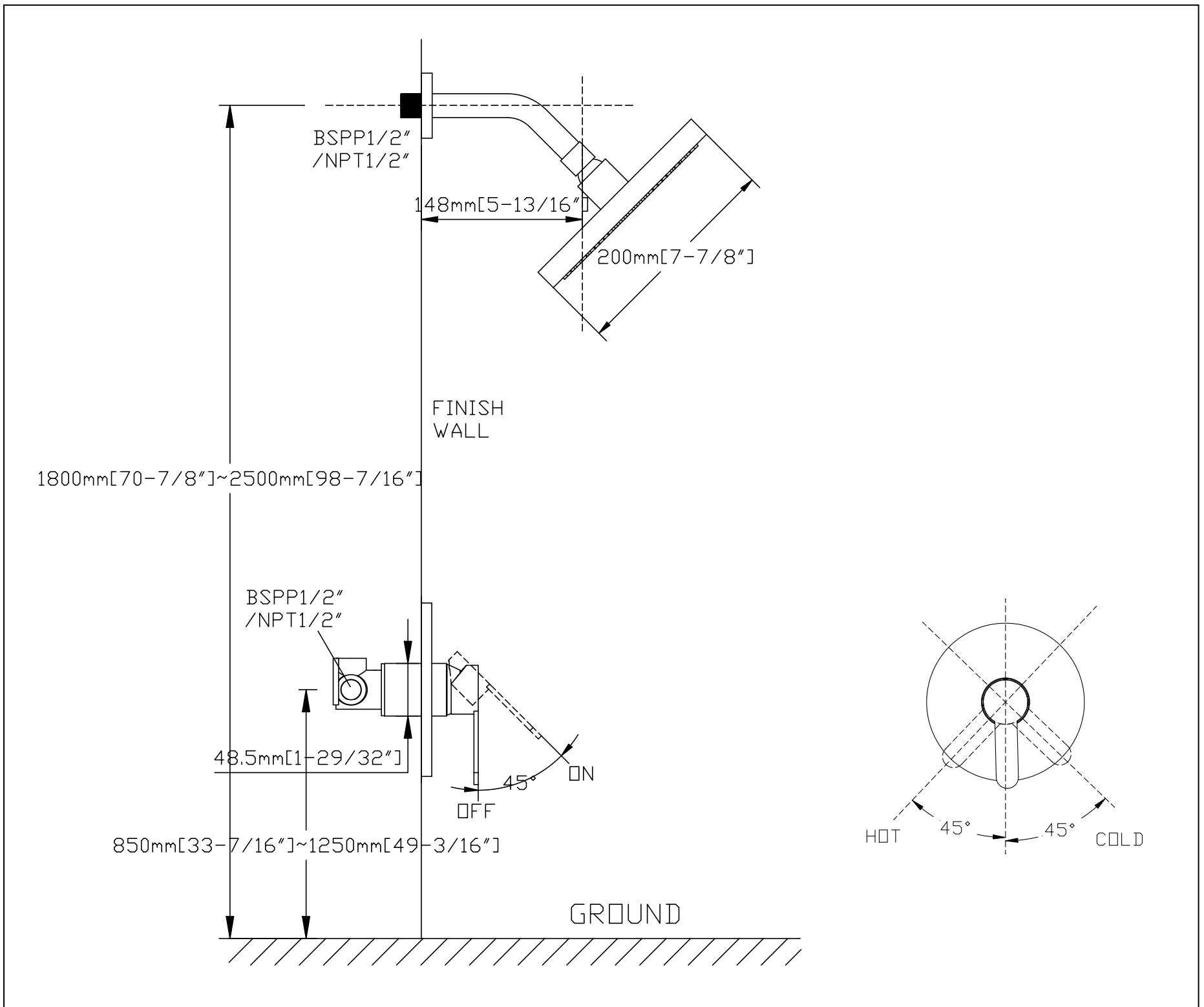
$\phi 60\text{mm}[2-3/8"]$



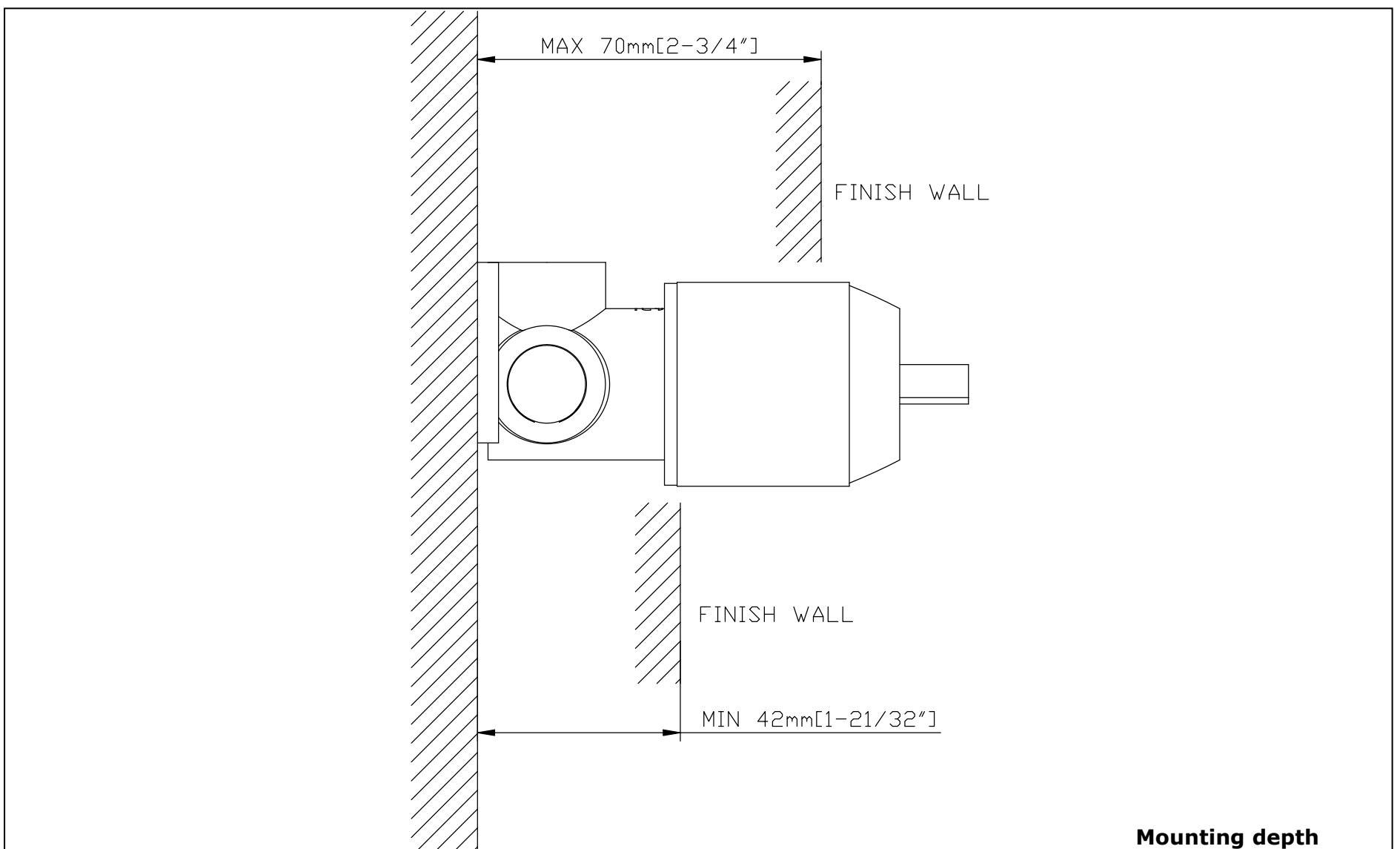
$\phi 160\text{mm}[6-9/32"]$



FRONT VIEW

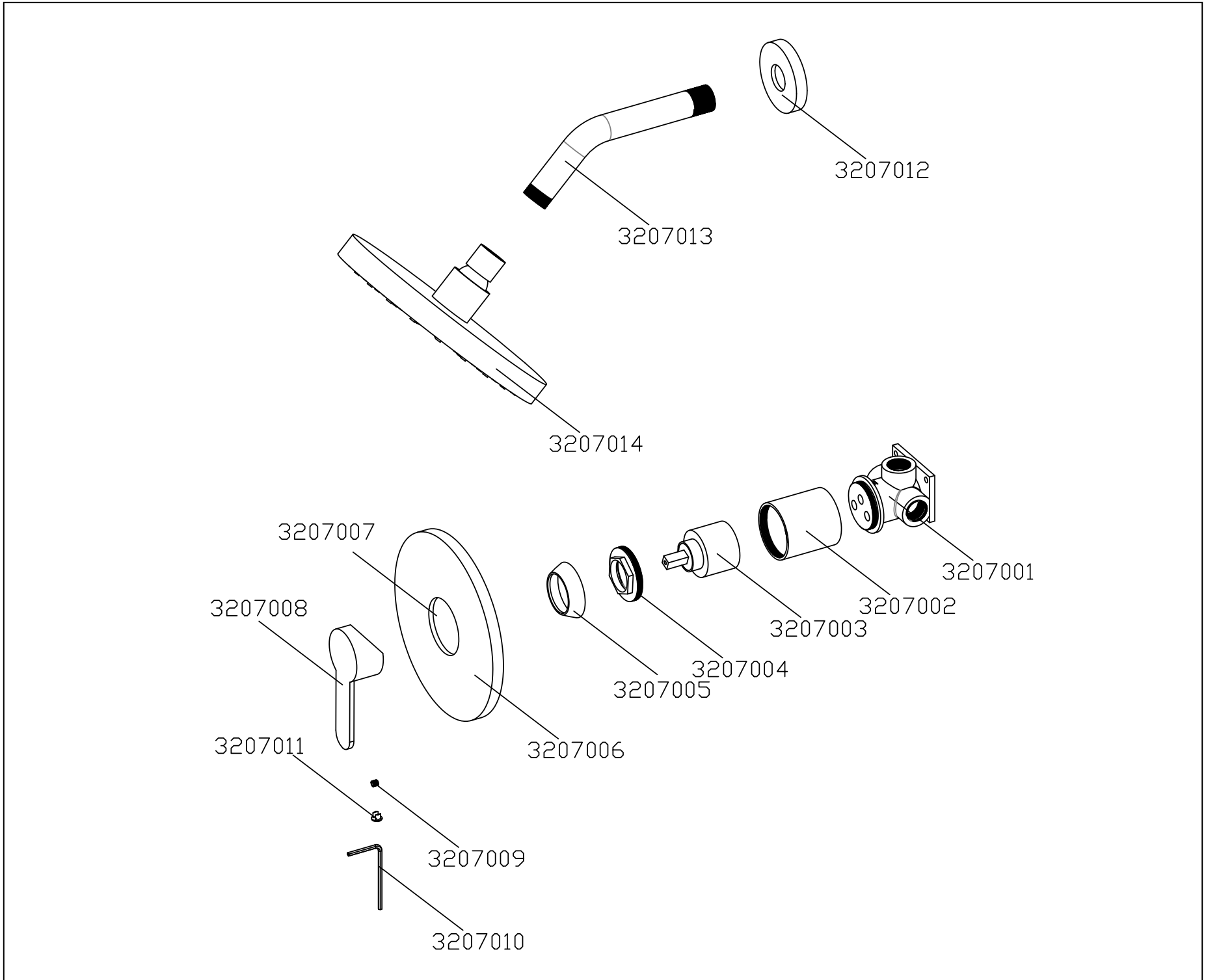


SIDE VIEW



Mounting depth

EXPLODED DIAGRAM



CODE	ITEM NAME	QTY	CODE	ITEM NAME	QTY
3207001	Rough-in valve	1 PCS	3207002	Cartridge Sleeve	1 PCS
3207003	Cartridge	1 PCS	3207004	Bonnet nut	1 PCS
3207005	Flange	1 PCS	3207006	Escutcheon	1 PCS
3207007	Rubber gasket	1 PCS	3207008	Handle (lever)	1 PCS
3207009	Set screw	1 PCS	3207010	Allen wrench	1 PCS
3207011	Screw cover	1 PCS	3207012	Escutcheon	1 PCS
3207013	Shower arm	1 PCS	3207014	Showerhead	1 PCS

CLEANING RECOMMENDATION FOR SUMERAIN PRODUCTS

Modern lavatory faucets, kitchen faucets, and showers are built using a wide variety of materials to cater to the market's demands for design and functionality. To avoid damage and potential returns, adhering to specific cleaning guidelines is crucial.

Cleaning Materials for faucets & showers

When cleaning faucets and showers, it is important to consider the following professional terms:

- Acidic cleaning agents are essential for lime removal.
- Ensure to use only cleaning agents that are specifically designed for this particular application.
- Avoid using cleaning agents containing hydrochloric, formic, phosphoric, or acetic acid, as they can cause significant damage.
- Avoid mixing different cleaning agents, as this can cause harmful chemical reactions.
- Avoid using abrasive cleaning agents or tools, including unsuitable cleaning powders, sponge pads, or microfiber cloths that could damage the surface.

Cleaning instructions for faucets & showers

Please follow the cleaning material manufacturer's instructions. In addition, pay attention to the following points:

- Clean faucets and showers regularly as needed to maintain their optimal function and appearance.
- Apply the recommended amount of cleaning product for the specified duration. Be sure not to leave the cleaner on the faucets longer than necessary to avoid potential damage.
- Regular cleaning can help prevent calcification. If you notice scale deposits on the faucet surface or spout, use a commercial descaler such as Lime-Away® or CLR®.
- In case of rust formation due to hard water conditions, gently abrade the affected area with aluminum foil soaked in water until the surface is smooth. Subsequently, apply a modest amount of chrome polish or a suitable product like automotive wax (for instance, Meguiar's®, Turtle Wax®) to buff the surface..
- Solid stainless steel faucets and spouts, especially waterfall spouts, typically lack a protective coating. Although stainless steel is naturally resistant to tarnishing, it can oxidize over time and react to its environment. Therefore, it's crucial to keep stainless fixtures clean and dry. Use a cleaner specifically designed for stainless steel, such as Weiman® or CLR®.
- When using a spray cleaner, it is recommended that you first apply it to a soft cloth or sponge rather than spraying it directly onto the faucet. This method helps prevent water droplets from entering the faucet opening and causing potential damage.
- After cleaning, thoroughly rinse with clean water to remove any residue from the cleaner.

Important

Residues from liquid soap, shampoo, and shower gel can also contribute to damage. Therefore, it's crucial to thoroughly rinse these substances off with clean water after use.



Note: if the surface is already damaged, the application of cleaning materials might exacerbate the damage.

Components with damaged surfaces need to be replaced to avoid potential injuries.

Note that any damage resulting from improper treatment is not covered by the warranty.

SUMERAIN®

SUMERAIN INTERNATIONAL GROUP INC

Address: 1226 NORTH KING ST NUM 522
WILMINGTON, DE 19801
United States

Tel: +1(866)203-0866

Web: <http://www.sumerain.com>

E-mail: supports@sumerain.us

HONGKONG SUMERAIN SANITARY INDUSTRY CO., LIMITED

Address: FLAT/RM 3B 3/F BANK TOWER
NOS.351&353 KING'S ROAD
NORTH POINT
HK

Tel: +86-750-2731579

E-mail: supports@sumerain.com

SUMERAIN EUROPE SUPPORT

Address: Flottwellstr. 15
10785 Berlin,
Deutschland

Tel: +49 (0)30/23975898

E-mail: de@sumerain.com