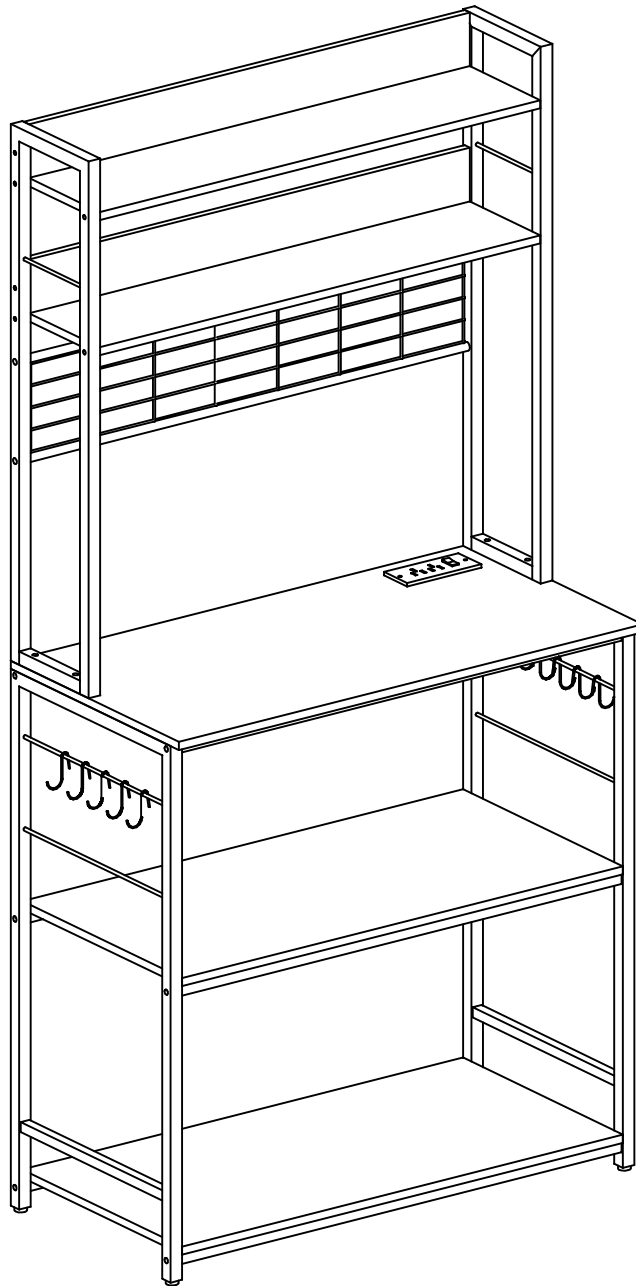


Assembly Instruction

BRL-M82



Instruction Manual

Thank you for shopping with us!

We appreciate your purchase and are ready to be at your service!

If you find parts missing, broken, or hard to put together or when you are not satisfied or have any valuable suggestions, please do not hesitate to contact us first!

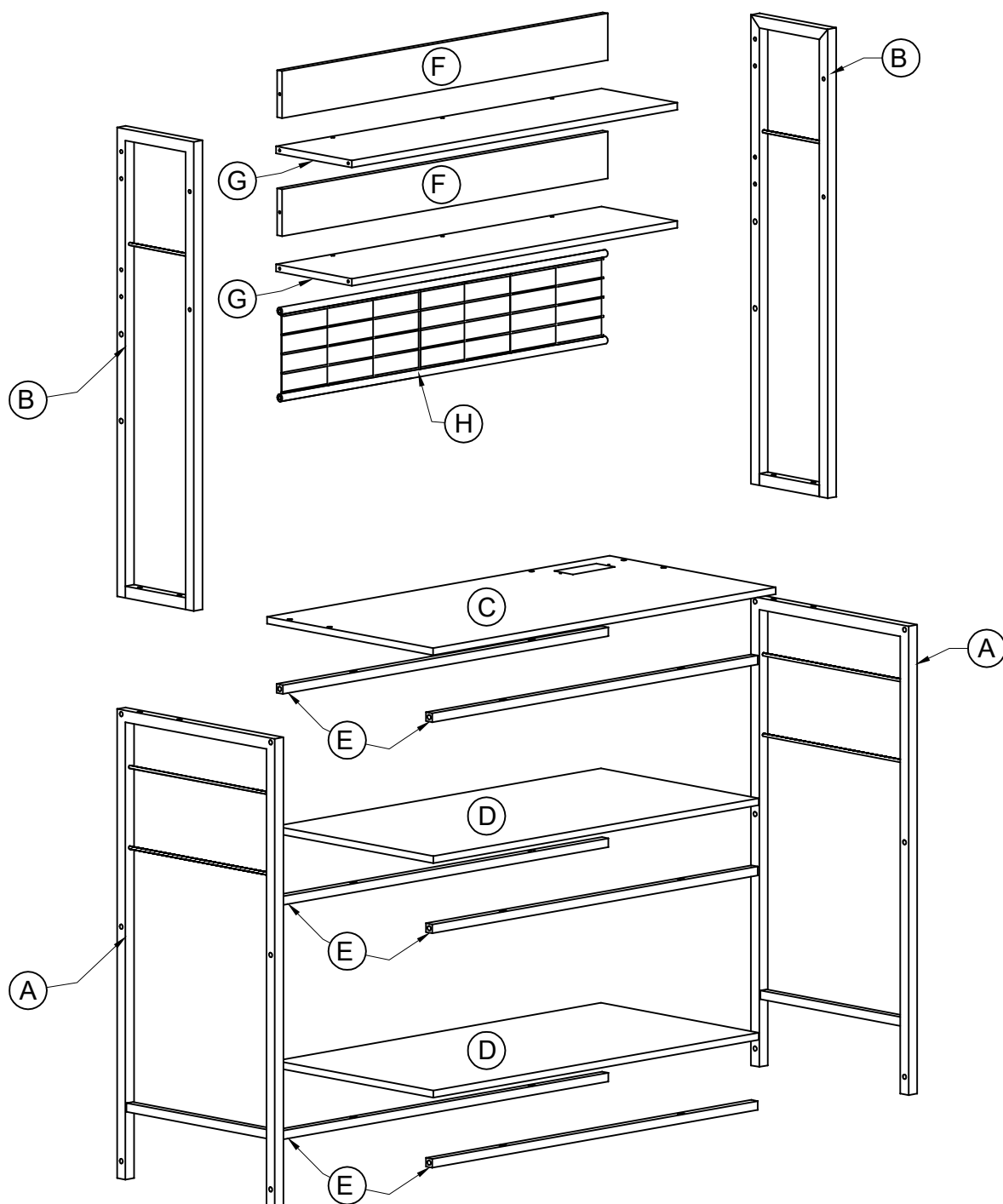
We will definitely give you a satisfactory solution or answer then!

Contact us at our after-sales service email: CSsince1987@hotmail.com

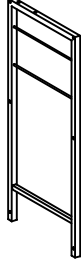
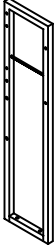
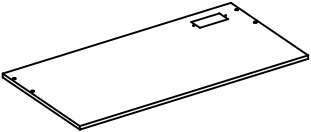
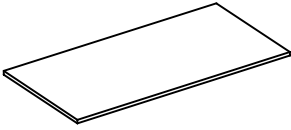


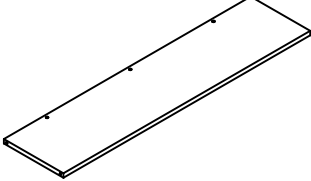
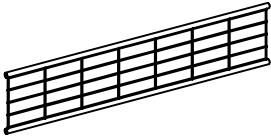
Email: CSsince1987@hotmail.com

COMPONENTS ID Nr.

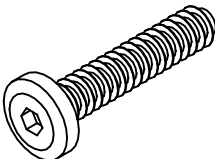
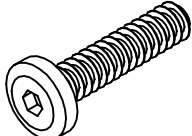
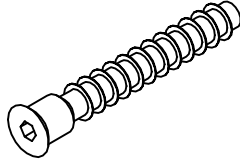
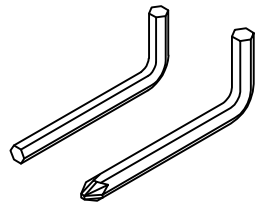
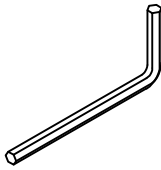
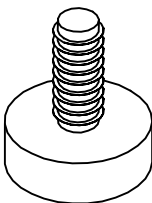
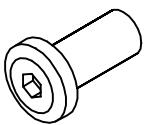
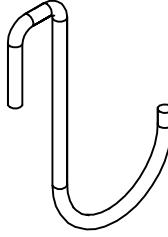
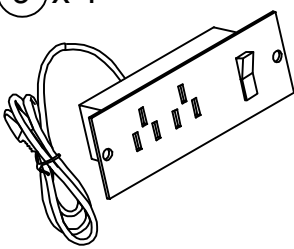
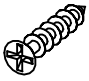
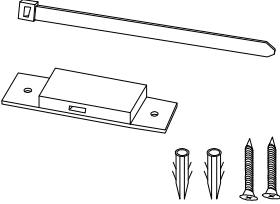
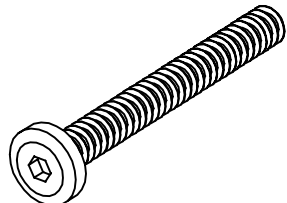
Part Nr.	Qty	Part Nr.	Qty	Part Nr.	Qty
A	2pcs	F	2pcs		
B	2pcs	G	2pcs		
C	1pcs	H	1pcs		
D	2pcs				
E	6pcs				



HARDWARE LIST

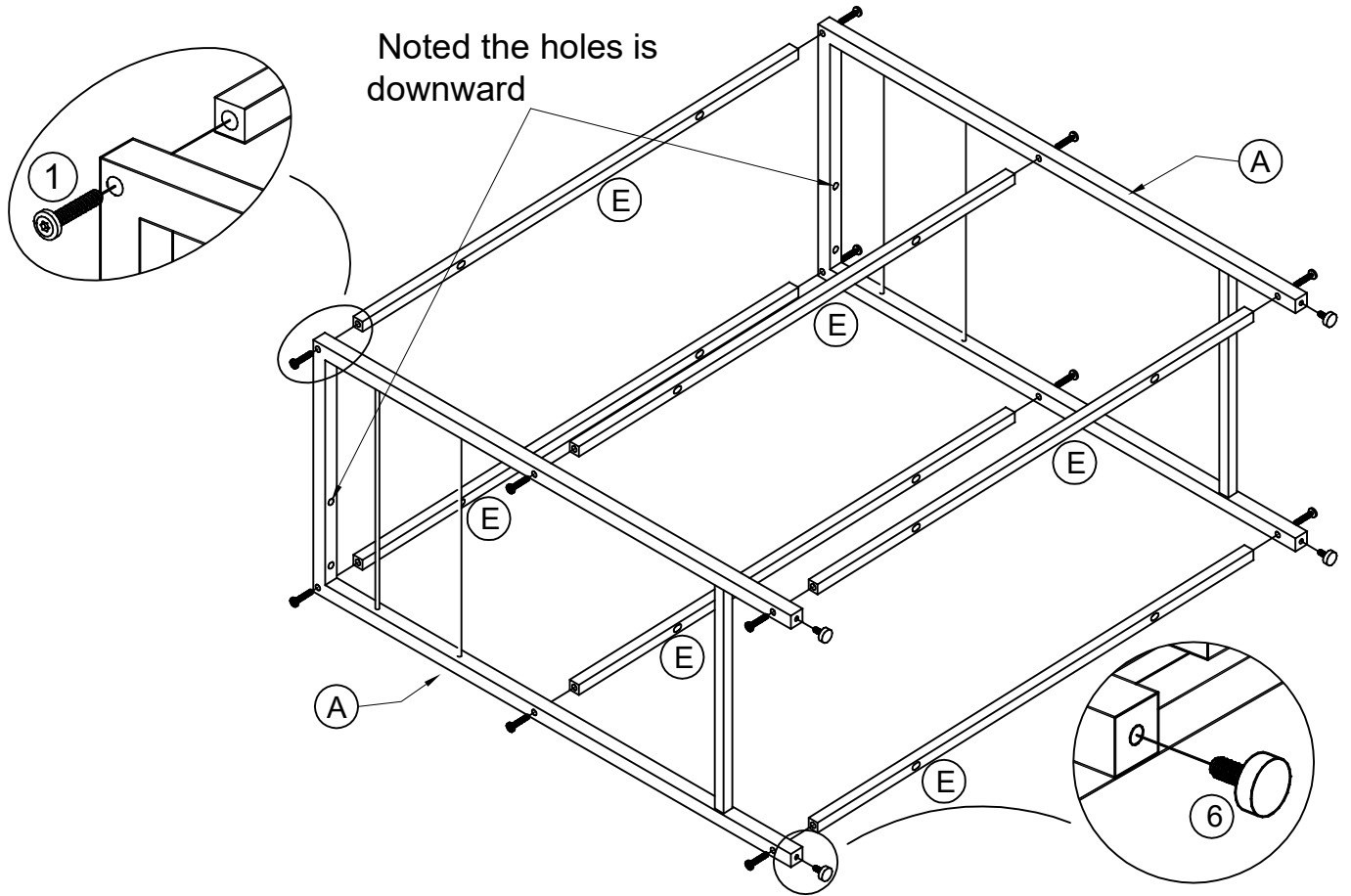
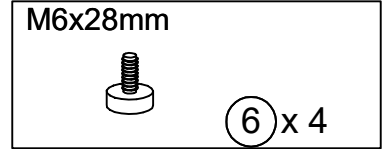
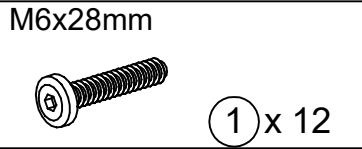
<p>A x 2</p> 	<p>B x 2</p> 	<p>C x 1</p> 	<p>D x 2</p> 
<p>E x 6</p> 	<p>F x 2</p> 	<p>G x 2</p> 	<p>H x 1</p> 

HARDWARE LIST

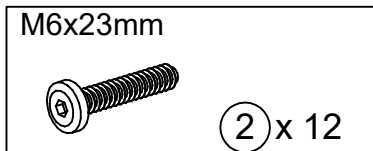
<p>① x 16</p>  <p>M6x28mm</p>	<p>② x 12</p>  <p>M6x23mm</p>	<p>③ x 18</p>  <p>D5x50mm</p>	<p>④ x 1</p>  <p>#4</p>
<p>⑤ x 1</p>  <p>#3</p>	<p>⑥ x 4</p>  <p>M6x28mm</p>	<p>⑦ x 4</p>  <p>6x15mm</p>	<p>⑧ x 10</p> 
<p>⑨ x 1</p> 	<p>⑩ x 2</p>  <p>D3.5x12mm</p>	<p>⑪ x 2</p> 	<p>⑫ x 4</p>  <p>M6x45mm</p>

PRODUCT ASSEMBLY

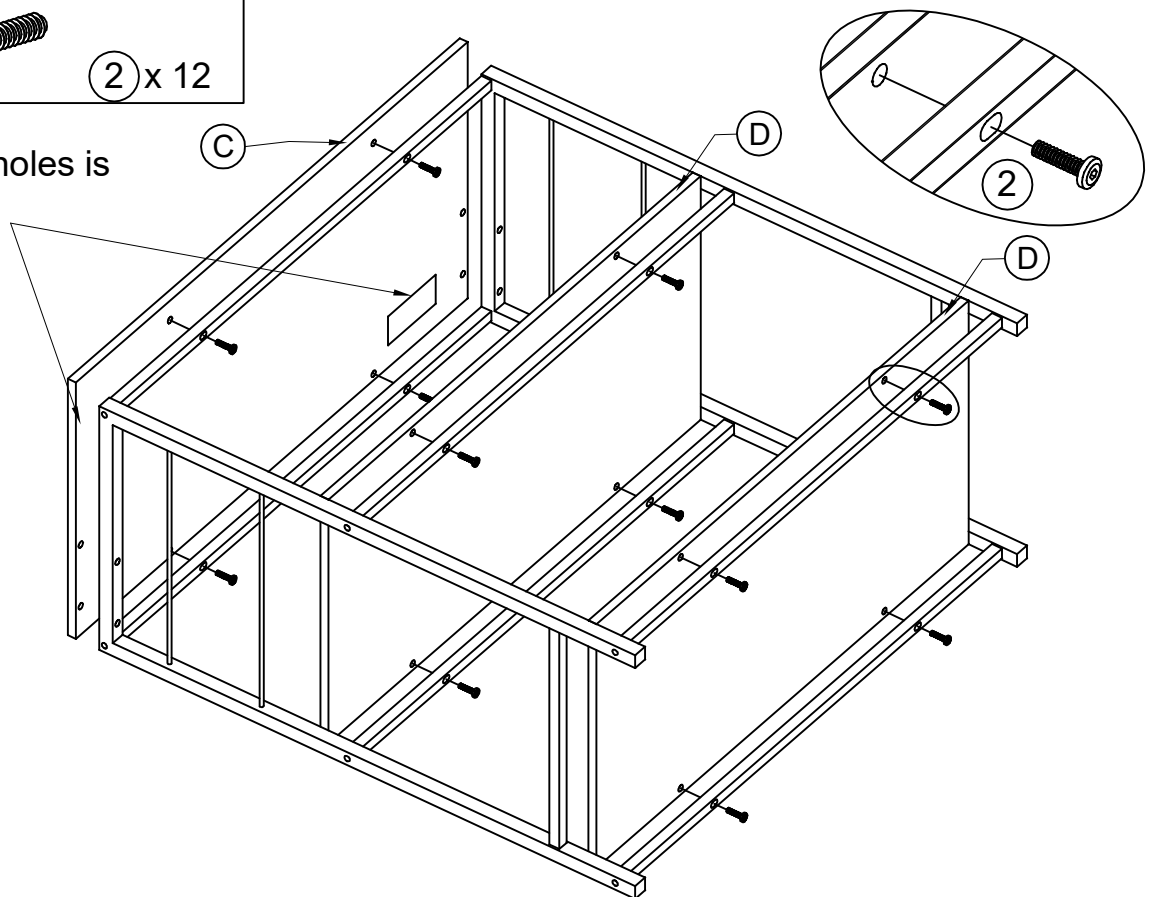
1



2



Noted the holes is downward



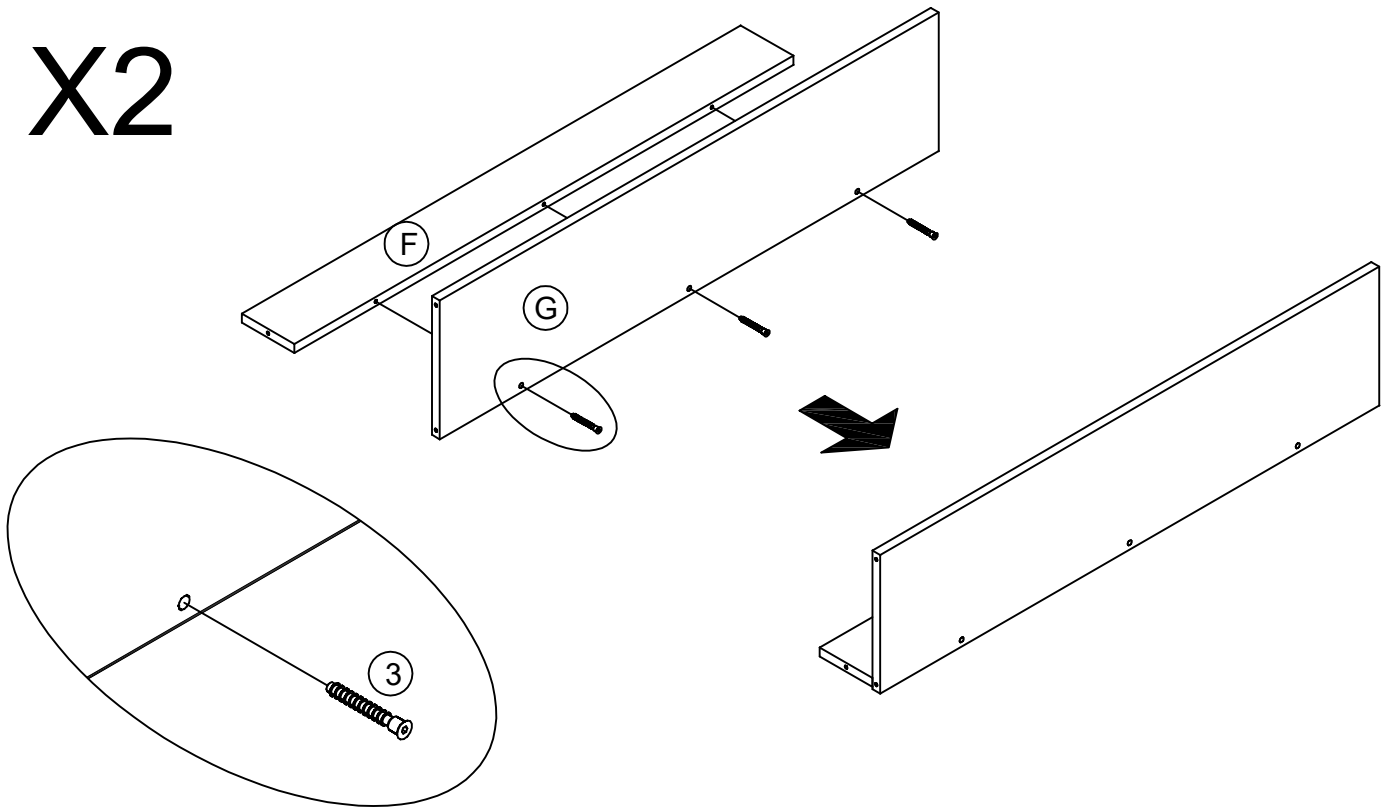
3

D5x50mm



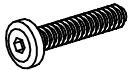
3 x 6

X2



4

M6x28mm

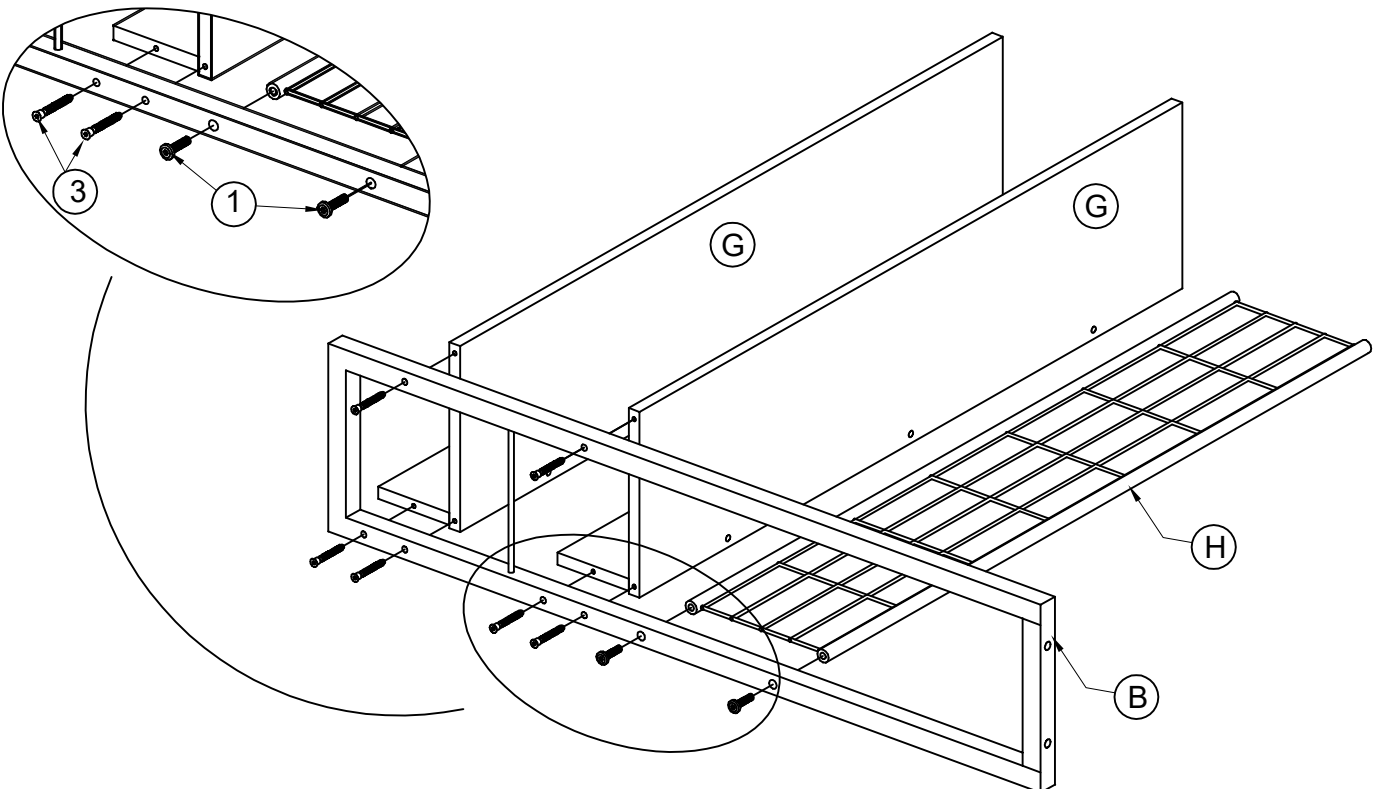


1 x 2

D5x50mm



3 x 6



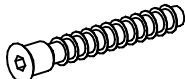
5

M6x28mm

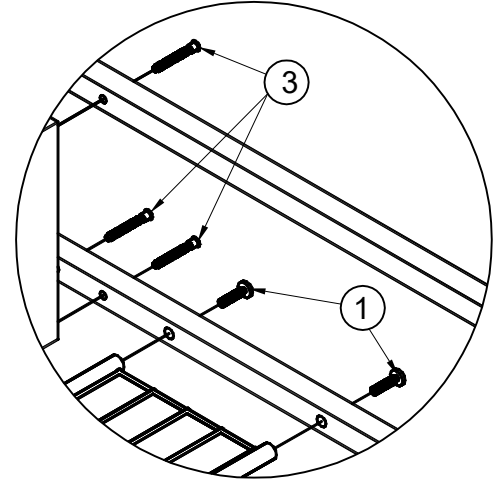
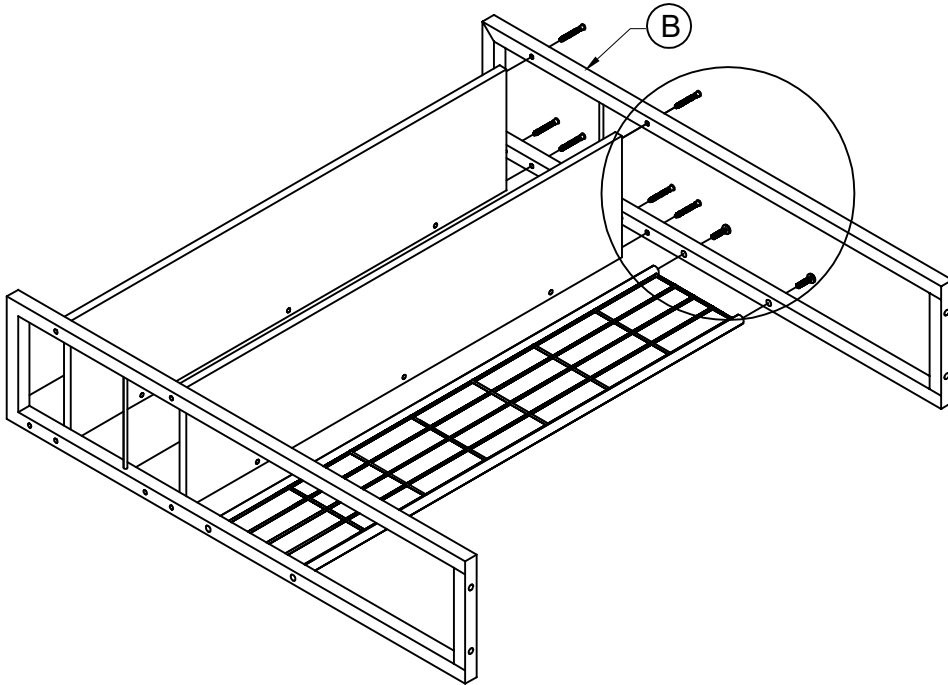
D5x50mm



① x 2



③ x 6



6

M6x45mm

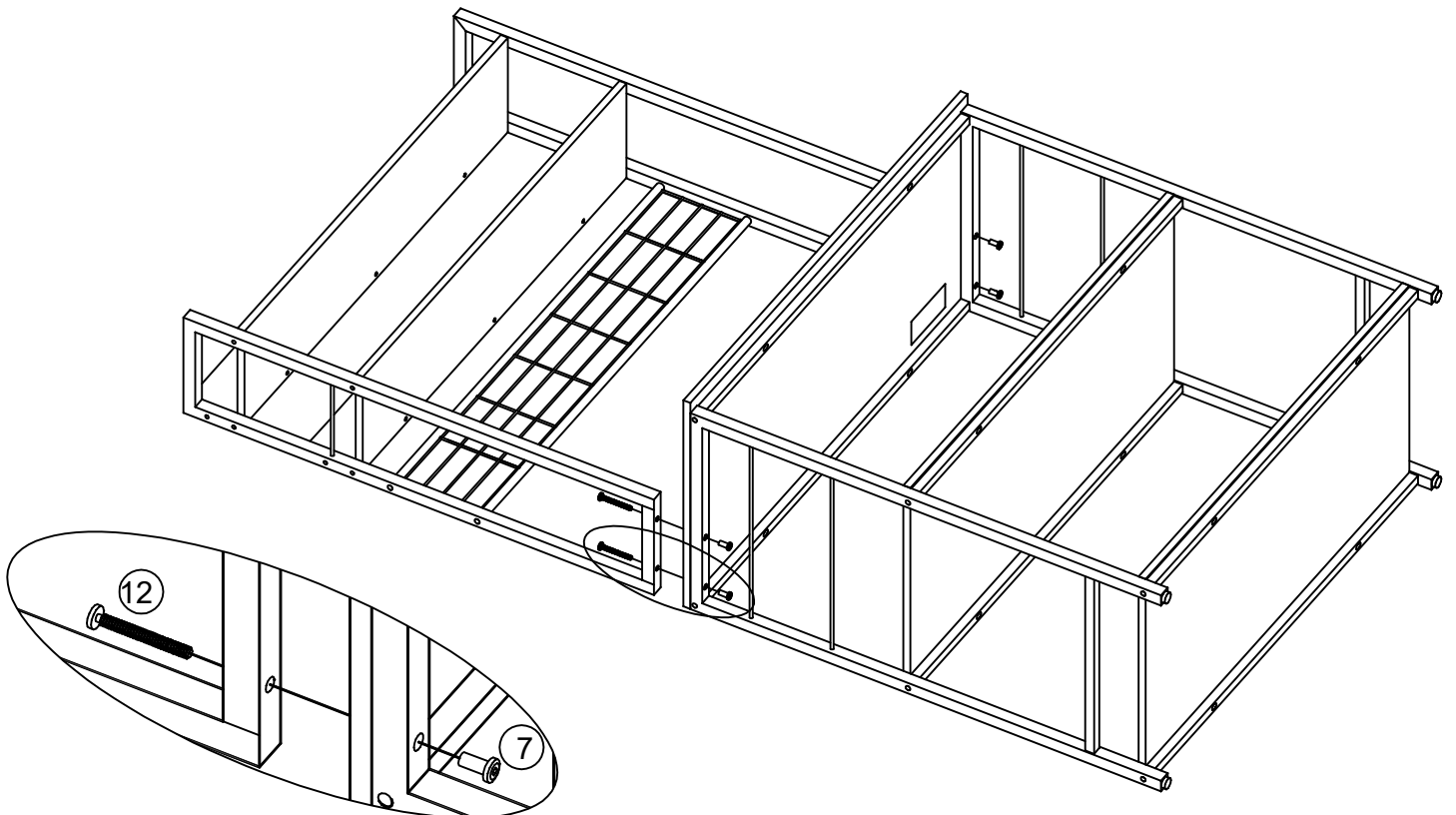
6x15



⑫ x 4

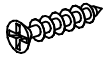


⑦ x 4



7

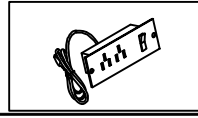
D3.5x12mm



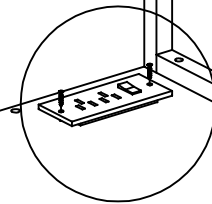
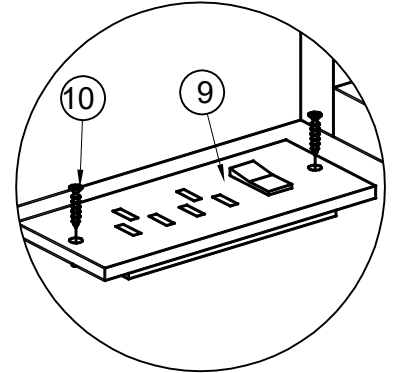
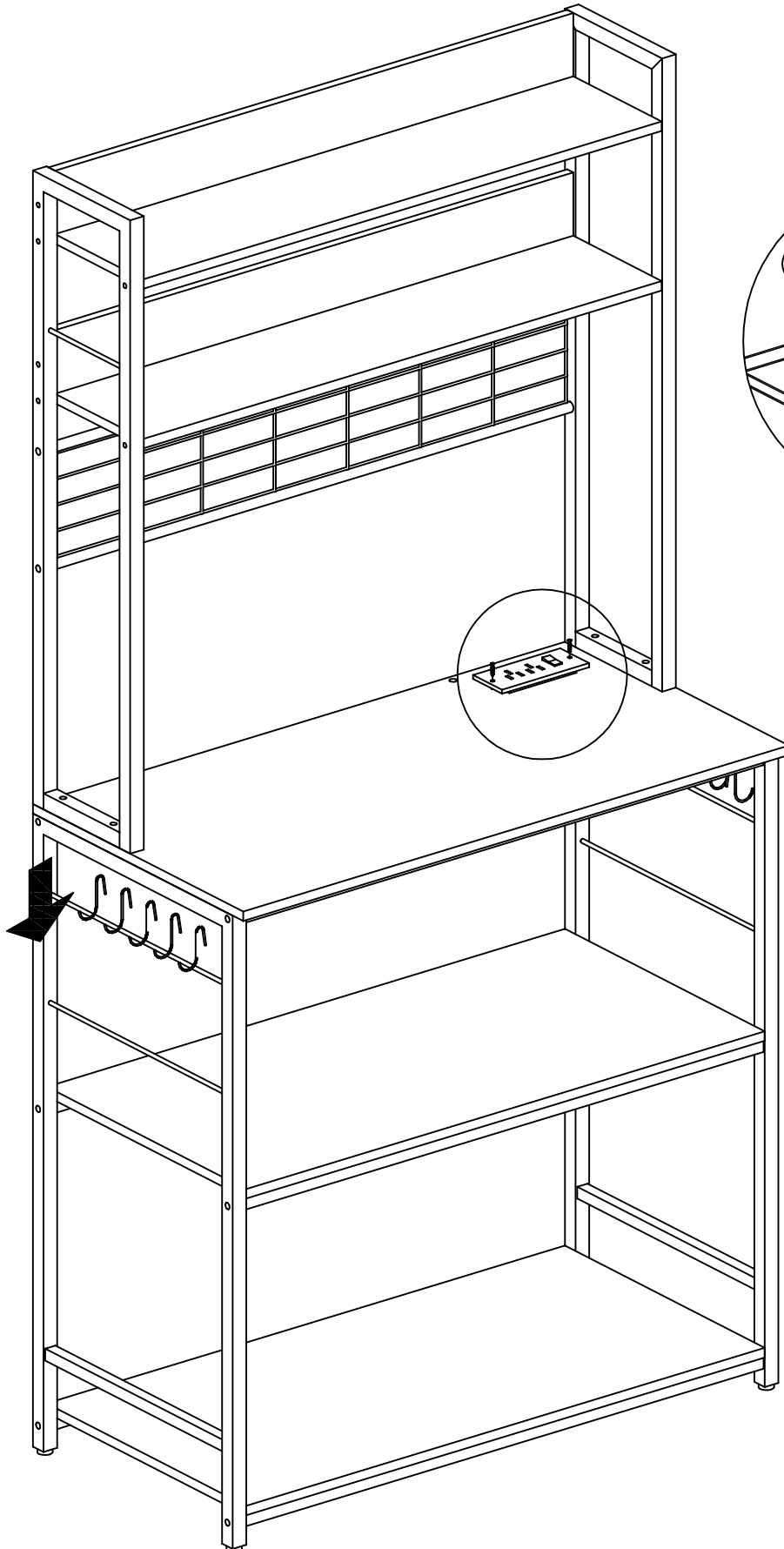
10 x 2



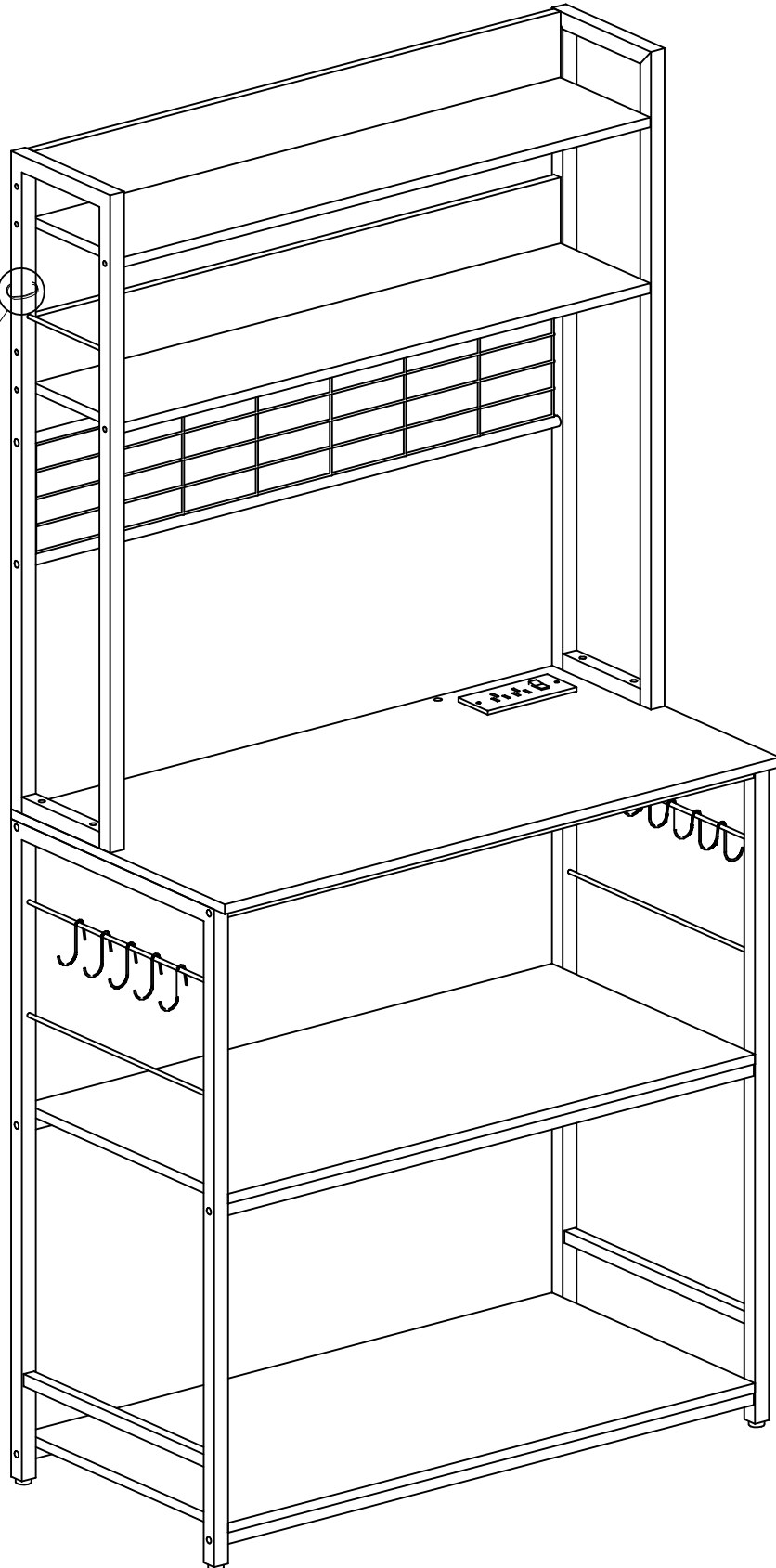
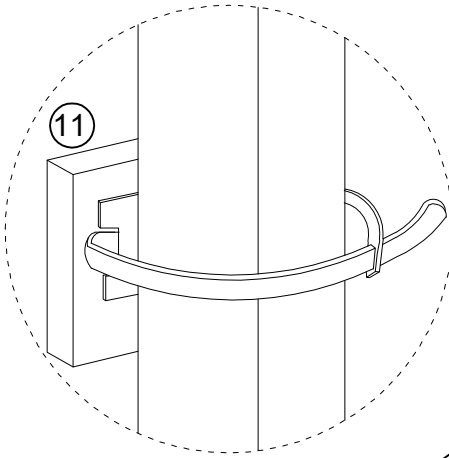
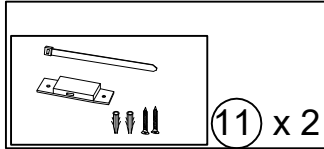
8 x 10



9 x 1



8



**SAFETY BRACKETS
INSTRUCTIONS**

1. Attach a bracket to the wallboard with the screws provided.
2. Attach a bracket to the furniture frame with the plastic belt.
3. Move the furniture into its final position. thread a strap through the bracket as shown in the illustration, tighten strap until snug.
4. Make sure the bracket is firmly attached to the wallboard and furniture, and the strap is snug.